

# Presario 1200

System/Processor Boards	Assembly	Spare Part	System
Processor Board w/ 32 MB		356877-001	1234, 35, 36, 37, 38, 40, 42, 50, 52
Processor Board w/ 32 MB		330938-001	1230
Processor Board w/ 32 MB SDRAM		142646-001	1272, 73, 74, 75
System Board 586/200GXM, Processor		203716-001	1220, 1220ES
System Board 586/180GXM, Processor		203718-001	1215
System Board, I/O w/ 1M w/ 64 MB LVD	50M102D83-S0	173539-001	1200XL
System Board, I/O w/ 1M w/ 64 MB TFT	50M102D81-S0	169608-001	1200XL
System Board, I/O w/ 32 MB SDRAM		102246-001	1255, 60, 66, 67
System Board, I/O w/ 512K Cache w/ 32 MB HPA	50M102D79-S0	169606-001	1200XL
System Board, I/O w/ 512K Cache w/ 32 MB RAM		158793-001	1246, 47
System Board, I/O w/ 512K Cache w/ 64 MB HPA	50M102D80-S0	169607-001	1200XL
System Board, I/O w/ 512K Cache w/ 64 MB RAM		158794-001	1246, 77, 78
System Board w/ 32 MB SDRAM w/o FMDM		102247-001	1255, 60, 66, 67
System Board w/ Cache, w/o Processor		293785-001	1207, 10
System Board, w/o Processor		203731-001	1220
System Board, w/o Processor		327715-001	1215

Configuration Code	System Board Spare Part	Model
BQH2	293785-001	1210
BQH3	293785-001	1207
BQH4	293785-001	1207
BQH5	293785-001	1207
BVL2	203716-001	1220
BVL4	203716-001	1220
BXN2	203731-001	1215
BY44	330938-001	1230
BY86	356877-001	1235
BY87	356877-001	1238
BY88	356877-001	1237
BY8B	356877-001	1235
BY8H	356877-001	1234
BY8K	356877-001	1236
BYG2	356877-001	1240
BYG3	356877-001	1240
BYG4	356877-001	1242
BYG5	356877-001	1240
CF42	356877-001	1252
CF43	356877-001	1250

Continued

# Presario 1200

Configuration Code	System Board Spare Part	Model
CFK2	102246-001	1255
CFK3	102246-001	1255
CFK4	102246-001	1255
CFK5	102246-001	1260
CFK6	102246-001	1255
CFK7	102246-001	1260
CFK8	102246-001	1266
CFKB	102246-001	1267
CFKC	102246-001	1260
CFKD	102246-001	1260
CLR3	142646-001	1275
CLR4	142646-001	1273
CLR5	142646-001	1272
CLR7	142646-001	1275
CLR8	142646-001	1274
CLRG	142646-001	1275
CTS1	158793-001	1246
CTS3	158794-001	1277
CTS6	158793-001	1246
CTS7	158794-001	1278
CTS9	158793-001	1247
CTSD	158794-001	1277
DCH1	169607-001	1200XL
DCH2	169608-001 173539-001	1200XL
DCH3	169608-001 173539-001	1200XL
DCH5	169607-001	1200XL
DCH6	169608-001 173539-001	1200XL
DCH7	173539-001	1200XL

Microprocessors	Assembly	Spare Part	System
233 GXM Processor		330937-001	1230
586/200 GXM w/ Processor Board		203734-001	1220, 1220ES
686/150 w/ Heat Sink		293828-001	1207, 10
686/180 GXM		203718-001	1215
686/266 MMX Processor		332216-001	1234, 35, 36, 37, 38
K6/300 Processor		356886-001	1250, 52
K6II/333 Processor		400442-001	1255, 60, 66, 67
K6II/366 Processor		142647-001	1272, 73, 74, 75
K6II/400 Processor, AMD, 2.2V		134079-001	1246, 47
K6II/433 Processor, AMD		158851-001	1277, 1278
K6II/450 Processor, 2.1V	50M102D42-S0	159548-001	1200XL
K6II/475 Processor, 2V	50M102D44-S0	161064-001	1200XL
K6II/500 Processor, 2.1V	50M102D82-S0	173534-001	1200XL
P/266 MAX Processor		356885-001	1240, 42

# Presario 1200

Memory Modules/Boards	Spare Part	System
16 MB Memory, SODIMM	293726-001	All
32 MB Memory, SODIMM	293727-001	All
64 MB Memory, SODIMM	332208-001	All

Hard Drives	Assembly	Spare Part	System
1.4 GB, IDE		293779-001	1207, 10
1.4 GB, IDE		203740-001	1215
2.1 GB, IDE		298764-001	1220
2.1 GB, IDE		330933-001	1230
3.2 GB, IDE		330968-001	1230
4.0 GB, IDE		330969-001	1260, 66, 67
4.3 GB, IDE		144410-001	1246, 47, 72, 74, 75, 77, 78
4.8 GB, IDE	50M101D81-S0	142310-001	1246, 77, 78, 79; 1200XL
5.0 GB	50M102D77-S0	169609-001	1200XL
6.0 GB	50M101Z23-S0	170087-001	1200XL
6.4 GB, IDE		347548-001	1250, 60, 66
6.4 GB, IDE		142651-001	1273

Diskette Drives	Assembly	Spare Part	System
1.44 MB		293784-001	All
1.44 MB		330947-001	1230, 34, 35, 36, 37, 38, 40, 42, 50, 52, 55, 60, 66, 67
1.44 MB	50M101D99-S0	141847-001	1246, 47, 72, 73, 74, 75, 77, 78; 1200XL

CD-ROM	Assembly	Spare Part	System
6X DVD-ROM, 1C	50M102D76-S0	169799-001	1200XL
14X Max		203741-001	1215
14X Max CD-ROM (Black)		297657-001	1207, 10
20X Max CD-ROM		203736-001	1220
24X CD-ROM		330934-001	1230, 34, 35, 36, 37, 38, 40, 42, 50, 52
24X CD-ROM		386891-001	1255, 60, 66, 67
24X Max CD-ROM, IDE, 2C	50M101D78-S0	142307-001	1246, 47, 77, 78; 1200XL
24X CD-ROM, 2C		142650-001	1272, 73, 74, 75

Cables	Assembly	Spare Part	System
Flat Panel, Cable to Interface Board	50M102D15-S0	152186-001	1246, 77, 78, 79; 1200XL
Misc. Cable Kit		293759-001	All
Misc. Cable Kit		203714-001	1215, 20, 20ES
Misc. Cable Kit		293759-001	All
Misc. Cable Kit	50M101F23-S0	330946-001	1230, 34, 35, 36, 37, 38, 40, 42, 46, 47, 50, 52, 55, 60, 66, 67, 72, 73, 74, 75, 77, 78, 79; 1200XL

# Presario 1200

Miscellaneous Internal	Assembly	Spare Part	System
Audio Board w/ Jacks – Lite		293756-001	1207, 10
Fan		346863-001	1234, 35, 36, 37, 38, 40, 42, 50, 52, 55, 60, 66, 67
Fan		293747-001	All
Fan		102249-001	1272, 73, 74, 75
Fan, 5500 rpm	50M102D35-S0	158801-001	1246, 47, 77, 78, 79; 1200XL
Fan, 7000 rpm	50M102D34-S0	158800-001	1246, 47, 77, 78, 79; 1200XL
Heat Spreader, 2000	50M102D36-S0	158802-001	1246, 47, 77, 78, 79; 1200XL
LCD Interface Board w/ Header		293746-001	All
Voltage Converter Board		293748-001	All
Voltage Converter Board		330962-001	1230
Voltage Converter Board, 3C	50M101F43-S0	352891-001	1234, 35, 36, 37, 38, 40, 42, 46, 47, 50, 52, 55, 60, 66, 67, 1272, 73, 74, 75, 77, 78, 79; 1200XL

Miscellaneous External	Assembly	Spare Part	System
AC Adapter	50M101P23-S0	298239-001	All (new smaller size)
AC Adapter		293787-001	All
Base Enclosure	50M102D32-S0	158798-001	1246, 47, 77, 78; 1200XL
CPU Cover, Upper		203739-001	1215, 1220
CPU Cover w/ Cable & Power Switch		293739-001	All
CPU Cover w/ Power Switch		330963-001	1255, 60, 66, 67
CPU Cover w/ Power Switch	50M102D33-S0	158799-001	1200XL
Hardware Kit, Misc.	50M101F37-S0	346853-001	1234, 35, 36, 37, 38, 40, 46, 47, 50, 52, 55, 60, 66, 67, 1272, 73, 74, 75, 77, 78, 79; 1200XL
Keyboard		102250-001	1260
Keyboard		141706-XXX	1246, 47, 72, 73, 74, 75, 77, 78, 79
Keyboard	50M102D58-S0	171003-001	1200XL
Keyboard - ARAB	50M102D66-S0	171003-171	1200XL
Keyboard - BEL	50M102D74-S0	171003-381	1200XL
Keyboard - BR	50M102D86-S0	171003-201	1200XL
Keyboard - DK	50M102D59-S0	171003-081	1200XL
Keyboard - FCAN	50M102D73-S0	171003-121	1200XL
Keyboard - FR	50M102D60-S0	171003-051	1200XL
Keyboard - IT	50M102D62-S0	171003-061	1200XL
Keyboard - JP	50M102D71-S0	171003-291	1200XL

Continued

# Presario 1200

<b>Miscellaneous</b>			
<b>External</b>	<b>Assembly</b>	<b>Spare Part</b>	<b>System</b>
Keyboard - LA	50M102D65-S0	171003-161	1200XL
Keyboard - NL	50M102D72-S0	171003-331	1200XL
Keyboard - NO	50M102D63-S0	171003-091	1200XL
Keyboard - UK	50M102D68-S0	171003-031	1200XL
Keyboard - PT	50M102D69-S0	171003-131	1200XL
Keyboard - SE	50M102D67-S0	171003-101	1200XL
Keyboard - SG	50M102D64-S0	171003-AF1	1200XL
Keyboard - TW	50M102D70-S0	171003-AB3	1200XL
Keyboard - UK	50M102D68-S0	171003-031	1200XL
Keyboard, US		293776-001	1210, 1620
Keyboard, US		330956-001	1230, 34, 35, 36, 37, 38, 40, 50, 52
Modem, 33.6+Data/Fax	298958-002	298974-002	1215, 20, 07
Modem, 56.6+Data/Fax	292306-002	292311-001	1220, 10, 07
Modem, 56K Data/Fax		138657-001	1215, 20, 30
Modem, 56K Data/Fax	292306-001	138610-001	1230, 34, 40, 42, 55, 60
Modem, 56K Data/Fax w/o SRAM		138659-001	1235, 36, 37, 38, 40, 50, 52, 55, 60, 66, 67, 72, 73, 74, 75
Modem, K-56K Data/Fax w/o SRAM	50M101D48-S0	400445-001	1246, 47, 77, 78; 1200XL
Modem, K-56K Data/Fax w/o SRAM - International	50M102D02-S0	143848-001	1200XL
Palm Rest w/ Board & Cables		293716-001	All
Palm Rest		203737-001	1215, 1220
Palm Rest		330965-001	1230
Palm Rest		352888-001	1234, 35, 36, 37, 38, 40, 42, 50, 52
Palm Rest w/ Touchpad/Button Board		387540-001	1255, 60, 66, 67
Palm Rest w/ Touchpad/Button Board	50M101D96-S0	142653-001	1272, 73, 74, 75; 1200XL
Palm Rest w/ Touchpad/Button Board	50M101D95-S0	142654-001	1200XL
Palm Rest w/ Touchpad/Button Board w/o Soft Paint		161416-001	1278
Plastic Kit, Miscellaneous	50M102D01-S0	142657-001	1246, 47, 77, 78; 1200XL
Port Replicator		102270-001	1270
Speakers, Left and Right		293757-001	1215, 1220
Speakers, Left and Right		293782-001	All ex 1207, 10
Speakers, Lite		293883-001	1207, 10
Speakers, w/ Enclosure and Cable		330960-001	1230
Speakers, w/ Enclosure and Cable		352889-001	1234, 35, 36, 37, 38, 40, 42, 50, 52, 55, 60, 66, 67
Speakers, w/ Enclosure and Cable	50M102D06-S0	148108-001	1246, 47, 1272, 73, 74, 75, 77, 78; 1200XL

# Presario 1200

<b>Modem Cables</b>	<b>Spare Part</b>
APD	137256-001
Brazil	137256-001
Canada	137256-001
Hong Kong	137256-001
Japan	137256-001
Latin America	137256-001
Switzerland	304398-111
Taiwan	137256-001
United Kingdom	165224-031
US	137256-001

<b>Modem Cable/Adapters</b>	<b>Cable Spare Part</b>
APD	304398-371
Australia	304398-011
Belgium	304398-181
France	304398-051
Germany	304398-041
Netherlands	304398-331
New Zealand	304398-011
Sweden	304398-101
United Kingdom	304398-031

<b>Video</b>	<b>Assembly</b>	<b>Spare Part</b>	<b>System</b>
Display Assy , 11.3" DSTN		293781-001	1207
Display Panel, 12.1" DSTN	50M102D24-S0	158795-001	1277, 78, 79; 1200XL
Display Assy, 12.1" HC		332209-001	1220 (BVL4)
Display Assy, 12.1" HPA		203735-001	1220 (BVL2), 1215
Display Assy, 12.1" HPA		330939-001	1230, 34, 35, 38, 40
Display Assy, 12.1" HPA		142648-001	1272, 73, 74, 75
Display Assy, 12.1" STN-Lite		293881-001	1210
Display Assy, 12.1" TFT		352890-001	1235, 36, 37, 40, 42, 50, 52, 60, 66, 67
Display Assy, 12.1" TFT	50M102D84-S0	173540-001	1200XL
Display Panel, 12.1" HPA II		102248-001	1255
Display Panel, 12.1" TFT/LVDS		159038-001	1246, 77, 78, 79,
Display Assy, 13.0" HPA		142649-001	1275
Display Panel, 13.0" DSTN	50M102D25-S0	158796-001	1246, 78, 79; 1200XL
Display Panel, 13.3" TFT/LVDS	50M102D85-S0	173665-001	1200XL
Display, Status w/ Cables		293737-001	All

<b>ROM Information</b>	<b>Spare Part</b>	<b>System</b>
ROMPaq	261922-001	All

# Presario 1200

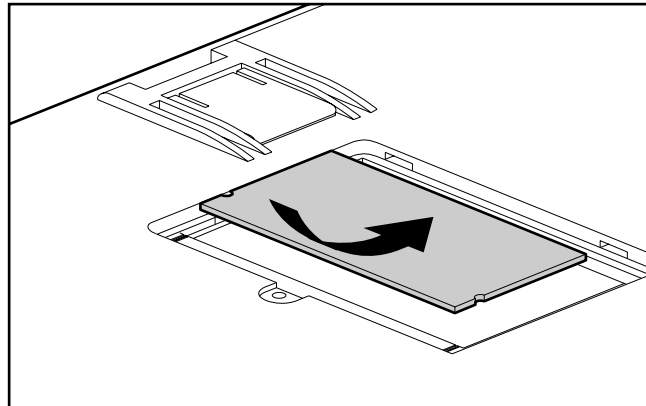
<b>Power Supply/Battery</b>	<b>Assembly</b>	<b>Spare Part</b>	<b>System</b>
Battery Pack, E.D. NiMH		330935-001	1230, 34, 35, 40
Battery Pack, E.D. NiMH, Enhanced	50M101D26-S0	388648-001	1246, 55, 72, 73, 74, 75, 77, 78, 79; 1200XL
Battery Pack, Li-Ion, Enhanced	50M101X13-S0	138184-001	1200XL
Battery, Li-Ion		292560-001	All
Battery, Li-Ion		330936-001	1234, 35, 36, 37, 38, 40, 42, 50, 52
Battery, Li-Ion, Enhanced		388647-001	1246, 47, 55, 60, 66, 67, 75, 77, 78, 79
Battery, NiMH		293861-001	All
Clock/Battery		117099-001	All

# Presario 1200

PRESARIO 1207, 1210, 1215, 1220, 1220ES, 1230

## MEMORY UPGRADE CHART

MAXIMUM MEMORY IS 96 MB



ADD ANY ONE OF THE FOLLOWING  
MEMORY MODULES:

16-MB MEMORY MODULE, SODIMM - OPTION PN 293820-001

32-MB MEMORY MODULE, SODIMM - OPTION PN 293821-001

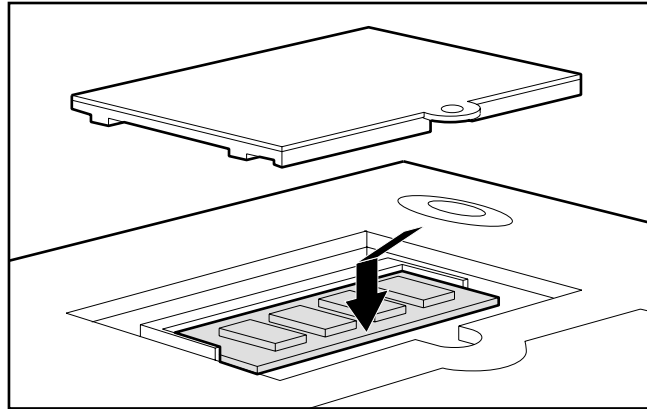
64-MB MEMORY MODULE, SODIMM - OPTION PN 293822-001



# Presario 1200

PRESARIO 1234, 35, 36, 37, 38, 40, 42, 50, 52

## MEMORY UPGRADE CHART



MAXIMUM MEMORY IS 96 MB

ADD ANY ONE OF THE FOLLOWING  
MEMORY MODULES:

16-MB MEMORY MODULE - OPTION PN 293820-001

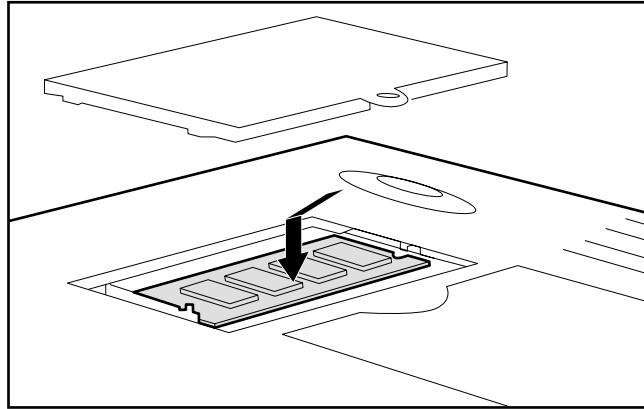
32-MB MEMORY MODULE - OPTION PN 293821-001

64-MB MEMORY MODULE - OPTION PN 293822-001

# Presario 1200

PRESARIO 1255, 60

## MEMORY UPGRADE CHART



ADD ANY ONE OF THE FOLLOWING MEMORY BOARDS

32-MB SDRAM OPTION PN 293821-002

64-MB SDRAM OPTION PN 293822-002

128-MB SDRAM OPTION PN 401040-B21