

Presario 1600

System/Processor Boards	Assembly	Spare Part	System
Processor Board w/o Processor		331009-001	1640, 50, 55
Processor Board w/o Processor		330982-001	1624, 25, 26, 35, 36, 40
System Board, I/O		400440-001	1670
System Board, I/O w/ 64 MB SDRAM	50M101Z01-S0	159483-001	1600T; 1600XL
System Board, I/O w/ 512K Cache		144018-001	1683, 85, 87, 88, 90
System Board w/ 256K Cache USB		332246-001	1611, 21, 22, 30, 81
System Board w/ 64 MB RAM		387539-001	1660
System Board w/o Cache, w/o Processor		293786-001	1610, 11, 15, 20, 21, 22, 30, 81
System Board, w/o Processor		298638-001	1610, 11, 15, 20, 21, 22, 30, 81

Configuration Code	System Board Spare Part	Model
BQB3	293786-001	1615
BQB5	293786-001	1615
BQB6	293786-001	1610
BQC2	293786-001	1620
BQC4	293786-001	1682
BVM3	298638-001	1621
BVM4	332246-001	1611
BVMJ	298638-001	1621
BVP2	332246-001	1681
BVP3	332246-001	1681
BVP4	298638-001	1622
BVR3	332246-001	1630
BY53	330982-001	1625
BY54	330982-001	1635
BY56	330982-001	1624
BY66	331009-001	1650
BY67	331009-001	1655
BZP3	330982-001	1640
CGX3	400440-001	1670
CLS3	144018-001	1688
CLS5	144018-001	1685
CLS8	144018-001	1688
CLS9	144018-001	1685
CLSB	144018-001	1690
CLSC	144018-001	1687
CLSF	144018-001	1690XL
DCHZ	159483-001	1600T

Continued

Presario 1600

Configuration Code	System Board Spare Part	Model
DCJ1	159483-001	1600XL
DCJ2	159483-001	1600XL
DCJ3	159483-001	1600XL
DCJ4	159483-001	1600XL
DCJ5	159483-001	1600XL
DCJ6	159483-001	1600XL
DCJ7	159483-001	1600XL
DCJ8	159483-001	1600XL
DCJ9	159483-001	1600XL
DCJB	159483-001	1600XL
DCJC	159483-001	1600XL

Microprocessors	Assembly	Spare Part	System
466 MHz, 128K Cache	50M101Z44-S0	174040-001	1600T; 1600XL
500 MHz, 128K Cache, 2V	50M101Z02-S0	159484-001	1600T; 1600XL
686/200 MMX Processor		203734-001	1611
686/150 MMX w/ Heat Sink		293829-001	1610, 15
686/166 MMX w/ Heat Sink		293717-001	1620, 82
686/200 MMX w/ Heat Sink		293718-001	1620, 82
686/233 MMX Processor		298609-001	1621, 22, 24, 35, 36, 81
686/233 MMX Processor		293849-001	1622
686/266 MMX Processor		332216-001	1625, 26, 40, 81
DII/300 Processor, 128K		400782-001	1660
K6II/333 Processor		400442-001	1670
K6II/350 Processor, AMD, 2.2V		122698-001	1683
K6II/380 Processor, AMD, 2.2V		123923-001	1685, 87, 88
K6II/400 Processor, AMD, 2.2V		134079-001	1685, 88, 90
PII/266 Processor		330983-001	1640, 50, 55
PIII/500 MHz, 256K Cache	50M101Z45-S0	174041-001	1600T; 1600XL
PIII/600 MHz, 256K Cache	50M101Z03-S0	159485-001	1600T
PIII/650 MHz, 256K Cache	50M101Z47-S0	175308-001	1600T

Memory Modules/Boards	Assembly	Spare Part	System
16 MB Memory, SODIMM		293726-001	All
32 MB Memory, SODIMM		293727-001	All
32 MB Memory, SODIMM, PC100	50M101D41-S0	122699-001	1683, 85, 87; 1600T
64 MB Memory, SODIMM		332208-001	All
64 MB Memory, SODIMM, PC100	50M101D42-S0	122700-001	1685, 87, 88, 90; 1600T
128 MB Memory, SODIMM		388646-001	1660, 70
128 MB Memory, SODIMM	50M101D34-S0	123930-001	1600T

Presario 1600

Hard Drives	Assembly	Spare Part	System
1.6 GB, IDE		293794-001	1610, 15
2.1 GB, IDE		332223-001	1611, 20, 21
3.2 GB		142309-001	1683
3.2 GB, IDE		298502-001	1622, 1681
3.2 GB, IDE		330968-001	1624, 25, 34, 35, 36, 40, 42
4.0 GB, IDE		330969-001	1626, 35, 36, 37, 38, 40, 50, 52, 55, 60, 70
4.3 GB, IDE		144410-001	1685, 87, 88
4.8 GB, IDE		142310-001	1685, 88
6.0 GB	50M101Z23-S0	170087-001	1600T; 1600XL
6.4 GB, IDE		142311-001	1685, 90
12.0 GB	50M101Z24-S0	170086-001	1600T; 1600XL

Diskette Drives	Assembly	Spare Part	System
1.44 MB		293784-001	All
1.44 MB		331165-001	1640, 50, 55
1.44 MB		332233-001	1624, 25, 26, 35, 36, 40
1.44 MB		330947-001	1660, 70
1.44 MB		141847-001	1683, 85, 87, 88, 90
1.44 MB	50M101Z14-S0	159496-001	1600T; 1600XL

CD-ROM	Assembly	Spare Part	System
14X Max CD-ROM (Black)		297657-001	1610
20X Max CD-ROM		332225-001	1611, 20, 21, 22, 30, 81
24X CD-ROM		331015-001	1624, 25, 26, 35, 36, 40
24X CD-ROM		330967-001	1640, 50, 55
24X CD-ROM		330934-001	1670
24X CD-ROM, 1000	50M101Z05-S0	159487-001	1600T; 1600XL
24X Max CD-ROM, IDE, 2C		142307-001	1683, 85, 88, 90
CD-RW, 1000	50M101Z41-S0	170085-001	1600T
DVD		387543-001	1660
DVD, 4X		142308-001	1685, 87, 90
DVD, 6X, 3C	50M101Z06-S0	159488-001	1600T; 1600XL

Cables	Assembly	Spare Part	System
Misc. Cable Kit		293759-001	All
Misc. Cable Kit		332234-001	1611, 21, 22, 24, 25, 26, 30, 35, 36, 40, 50, 55, 81
Misc. Cable Kit		293759-001	All
Misc. Cable Kit		330946-001	1660, 70, 83, 85, 87, 88, 90
Misc. Cable Kit	50M101Z15-S0	159497-001	1600T; 1600XL

Presario 1600

Miscellaneous Internal	Assembly	Spare Part	System
Audio Board w/ Jacks		293882-001	1610, 11, 15, 20, 21, 22, 24, 25, 26, 30, 35, 36, 40, 81
Audio Board w/ Jacks		331010-001	1640, 50, 55
Fan		293747-001	All
Fan		332228-001	1611, 21, 22, 24, 25, 26, 30, 35, 36, 40, 50, 55, 81
Fan		293747-001	1622
Fan		102269-001	1660
Fan		400444-001	1670, 83, 85, 87, 88, 90
Fan	50M101Z18-S0	159500-001	1600T; 1600XL
Heat Spreader		122702-001	1683, 85, 87, 88, 90
Head Spreader FCPGA, 1000	50M101Z46-S0	174042-001	1600T; 1600XL
Head Spreader, 1000	50M101Z19-S0	159501-001	1600T; 1600XL
LCD Interface Board w/ Header		293746-001	All
LCD Interface Board TFT		331016-001	1626, 35, 36, 40
LCD Interface Board TFT		293156-001	1640, 50, 55
Voltage Converter Board		293748-001	All
Voltage Converter Board		331019-001	1640, 50, 55
Voltage Converter Board, 3C	50M101F43-S0	352891-001	1660, 70, 83, 85, 87, 88, 90; 1600T; 1600XL

Miscellaneous External	Assembly	Spare Part	System
AC Adapter	50M101P23-S0	298239-001	All (new smaller size)
AC Adapter		293787-001	All
AC Adapter, APD	50M101X50-S0	164854-001	1600XL
Base Enclosure		387542-001	1660
Base Enclosure		400441-001	1670
Base Enclosure	50M101D97-S0	141845-001	1683, 85, 87, 88, 90
Base Enclosure	50M101Z09-S0	159491-001	1600T; 1600XL
Button Board Cover, 1000	50M101Z11-S0	159493-001	1600T; 1600XL
CPU Cover, Upper, 1000	50M101Z10-S0	159492-001	1600T; 1600XL
CPU Cover w/ Cable & Power Switch		293739-001	All
CPU Cover w/ Power Switch		330963-001	1660
CPU Cover w/ Power Switch		400443-001	1670
CPU Cover w/ Power Switch		141846-001	1683, 85, 87, 88, 90
Hardware Kit, Misc.		346853-001	1660, 83, 85, 87, 88, 90
Hardware Kit, Misc.	50M101Z17-S0	159499-001	1600T; 1600XL

Continued

Presario 1600

Miscellaneous	Assembly	Spare Part	System
External			
Keyboard, US		330956-001	1670
Keyboard, US		330981-001	1624, 25, 26, 40, 50, 55
Keyboard		102270-001	1660
Keyboard		141706-XXX	1685, 87, 88, 90
Keyboard	50M101Z07-S0	170090-001	1600T; 1600XL
LCD Board w/ Internet Switch	50M101Z13-S0	159495-001	1600T; 1600XL
LCD Indicator Module	50M101Z16-S0	138187-001	1600T; 1600XL
Modem, 33.6 Voice/Data/Fax	298958-001	298973-001	1615, 21, 30, 61
Modem, 56.0 Voice/Data/Fax	292306-001	292312-001	1611
Modem, 56K Data/Fax		138657-001	1621, 22, 24, 25, 26, 36, 40, 50, 55, 81
Modem, 56K Data/Fax	292306-001	138610-001	1635, 50, 60
Modem, 56K Data/Fax w/o SRAM		138659-001	1660
Modem, K-56K Data/Fax w/o SRAM	50M101D48-S0	400445-001	1685, 87, 88, 90
Modem, K-56K Data/Fax w/o SRAM – International	50M102D02-S0	143848-001	1683, 85, 90
Modem, K-56K Mini 3 – Australia	50M101Z43-S0	159502-011	1600XL
Modem, K-56K Mini 3 – International	50M101Z20-S0	159502-002	1600XL
Modem, K-56K Mini 3 – United States	50M101Z40-S0	159502-001	1600T; 1600XL
Palm Rest w/ Board & Cables		293716-001	All
Palm Rest		332226-001	1611, 21, 22, 24, 25, 26, 30, 35, 36, 40, 50, 55, 81
Palm Rest w/ Touchpad/Button Board		387540-001	1660, 70
Palm Rest w/ Touchpad/Button Board		142653-001	1683, 85, 87
Palm Rest w/ Touchpad/Button Board		142654-001	1688, 90
Palm Rest w/ Touchpad/Button Board 1000	50M101Z08-S0	159490-001	1600T; 1600XL
Plastic Kit, Miscellaneous	50M101Z16-S0	159498-001	1600T; 1600XL
Port Replicator		293857-001	All 1600 series except 1600i, 1600s, 1670, 72, 75, 83, 85, 87, 88, 90, 92, 93, 94
Port Replicator		102270-001	1600i, 1600s, 1670, 72, 75, 83, 85, 87, 88, 90, 92, 93, 94
Port Replicator	50M101Z49-S0	175310-001	1600T; 1600XL

Continued

Presario 1600

Miscellaneous External	Assembly	Spare Part	System
Speakers, Left and Right		293782-001	All
Speakers, Lite		293883-001	1624, 25, 26, 35, 36, 40, 50, 55
Speaker, Left and Right (prem)		298496-001	1611, 21, 22, 30, 81
Speakers, w/ Enclosure	50M101Z12-S0	159494-001	1600T; 1600XL
Speakers, w/ Enclosure and Cable		352889-001	1660, 70
Speakers, w/ Enclosure and Cable		148108-001	1683, 85

Modem Cables	Spare Part
APD	137256-001
APD (1660)	304398-371
Australia (1660)	304398-011
Brazil	137256-001
Canada	137256-001
Hong Kong	137256-001
Japan	137256-001
Latin America	137256-001
PRC (1660)	304398-AA1
Switzerland	304398-111
Taiwan	137256-001
United Kingdom	165224-031
US	137256-001

Modem Cable/Adapters	Cable Spare Part
APD	304398-371
APD (1660, 83, 85)	137256-001
Australia	304398-011
Belgium	304398-181
France	304398-051
Germany	304398-041
Netherlands	304398-331
New Zealand	304398-011
Sweden	304398-101
United Kingdom	304398-031

Video	Assembly	Spare Part	System
Display Assy, 12.1" HC		332209-001	1611
Display Assy, 12.1" HPA		298495-001	1621, 22
Display Assy, 12.1" HPA		331013-001	1624, 25, 26
Display Assy, 12.1" STN		282832-001	1610, 15, 20
Display Assy, 12.1" TFT		332224-001	1681
Display Assy, 12.1" TFT w/o Mic		331014-001	1635, 36, 40, 50
Display Assy, 12.1" TFT/LVDS		387544-001	1670
Display Panel, 12.1" TFT/LVDS		142304-001	1683, 85, 87
Display Panel, 12.1" TFT/LVDS	50M101Z22-S0	170091-001	1600T; 1600XL
Display Panel, 13.3"		387545-001	1660
Display Assy, 13.3" TFT		331012-001	1655

Continued

Presario 1600

Video	Assembly	Spare Part	System
Display Panel, 13.3" TFT/LVDS		142305-001	1688
Display Panel, 14.1" TFT/LVDS		142306-001	1690
Display Panel, 14.1" TFT/LVDS	50M101Z04-S0	159486-001	1600T; 1600XL
Display, Status w/ Cables		293737-001	All

ROM Information	Spare Part	System
ROMPaq	261922-001	All

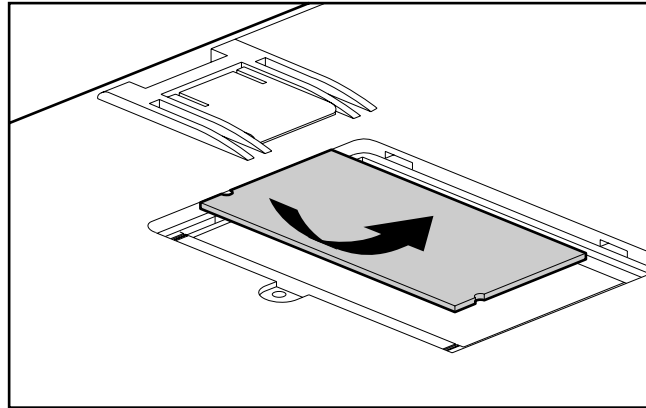
Power Supply/Battery	Assembly	Spare Part	System
Battery Pack, E.D. NiMH		330935-001	1636
Battery, Li-Ion		292560-001	All
Battery, Li-Ion		330936-001	1624, 25, 26, 35, 40
Battery, Li-Ion, Enhanced		388647-001	1660, 70, 83, 85, 87, 88, 90
Battery Pack, Li-Ion, Enhanced	50M101X13-S0	138184-001	1600T; 1600XL
Battery, NiMH		293861-001	All
Clock/Battery		117099-001	All

Presario 1600

PRESARIO 1610, 1611, 1615, 1620, 1621, 1622, 1630, 1681

MEMORY UPGRADE CHART

MAXIMUM MEMORY IS 96 MB



ADD ANY ONE OF THE FOLLOWING
MEMORY MODULES:

16-MB MEMORY MODULE, SODIMM - OPTION PN 293820-001

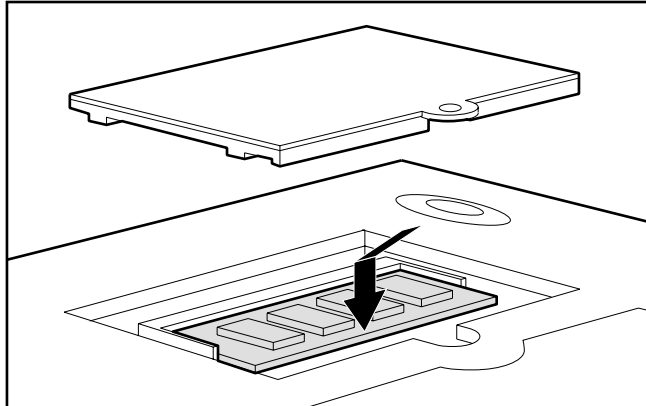
32-MB MEMORY MODULE, SODIMM - OPTION PN 293821-001

64-MB MEMORY MODULE, SODIMM - OPTION PN 293822-001

Presario 1600

PRESARIO 1624, 25, 26, 35, 36, 40, 50, 55

MEMORY UPGRADE CHART



MAXIMUM MEMORY IS 96 MB

ADD ANY ONE OF THE FOLLOWING
MEMORY MODULES:

16-MB MEMORY MODULE - OPTION PN 293820-001

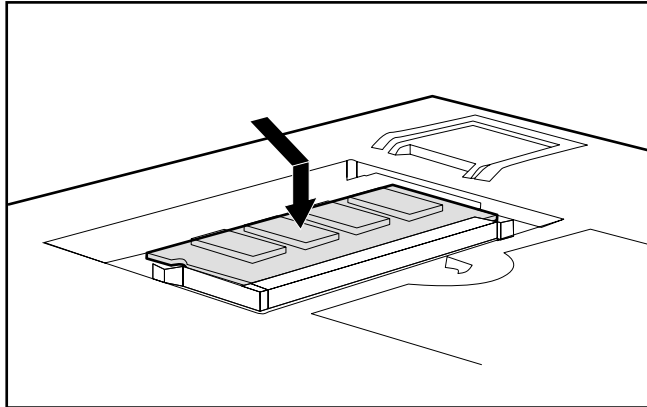
32-MB MEMORY MODULE - OPTION PN 293821-001

64-MB MEMORY MODULE - OPTION PN 293822-001

Presario 1600

PRESARIO 1660, 1670

MEMORY UPGRADE CHART



ADD ANY ONE OF THE FOLLOWING MEMORY BOARDS

32-MB SDRAM OPTION PN 293821-002

64-MB SDRAM OPTION PN 293822-002

128-MB SDRAM OPTION PN 401040-B21