

# Presario 5700

Processor/System Boards	Assembly	Spare Part	System
Board, w/o Processor/UI, w/ FP, no display cache	278309-006 388251-102	120695-102	5711, 12, 14, 15, 21, 24
Board, w/o Processor, Video – S,F	387640-101	120694-101	5710
Board, w/o Processor, Video - S	142805-101	148938-001	5710
Board, w/o Processor, Video – S,M	387640-111	120694-111	5710
Board, w/o Processor, 1394 w/ Flat Panel Port	388249-102	136109-102	5716, 17, 22, 26, 33, 35, 36, 38
Board, w/o Processor, 1394	388249-101	136109-101	5716, 18, 26, 28

## Configuration Jumper Settings (Models 5716, 22, 26, 35, 36, 38)

Jumper	Pins	Function
P1	1-2	Normal operation
	2-3	Clear CMOS
P6	1-2	Disable audio
	2-3	Enable audio

## Processor Core Ratio (Model 5710)

Processor Speed	BF2	BF1	BF0	Ratio
K6-2 350 MHz	1-2	1-2	1-2	3.5X
K6-2 380/400 MHz	2-3	1-2	2-3	4.0X
K6-2 450 MHz	2-3	2-3	2-3	4.5X
K6-3 450 MHz				
K6-2 475 MHz	2-3	2-3	1-2	5.0X

Configuration Code	Assembly	System Board Spare Part	Model
CLP2	388249-101, 102	136109-101	5726
CLP3	388249-102	136109-102	5722
CLP4	388249-102	136109-102	5726
CLPB	388249-102	136109-102	5722
CLQ2	388249-102	136109-102	5736
CLQ3	388249-102	136109-102	5733
CLQ4	388249-102	136109-102	5736
CLQ5	388249-102	136109-102	5738
CLQ6	388249-102	136109-102	5735
CQV2	388249-101, 102	136109-102	5716
CQV5	388249-102	136109-102	5717
CQV6	388249-102	136109-102	5716
CQVC	388249-102	136109-102	5716
CSB2	278309-006 388251-102	120695-102	5712
CSB3	278309-006 388251-102	120695-102	5715
CSB4	278309-006 388251-102	120695-102	5711

Continued

# Presario 5700

Configuration Code	Assembly	System Board Spare Part	Model
CSB5	278309-006 388251-102	120695-102	5714
CYS2	278309-006 388251-102	120695-102	5710
CYT2	278309-006 388251-102	120695-102	5721
CYT3	278309-006 388251-102	120695-102	5724

Microprocessors	Assembly	Spare Part	System
Processor, 450, K6-2, w/ Heat Sink	330631-006	136439-001	5710
Processor, 450, PIII, w/ Heat Sink		388110-001	5716, 17, 18
Processor, 466, (128), C2, w/ Heat Sink	401264-006	138158-001	5711, 12, 14, 15
Processor, 500, PIII, w/ Heat Sink		388109-001	5728
Processor, 500, PIII, w/ Heat Sink	352772-005	153840-001	5722, 26
Processor, 500, (128), C2, w/ Heat Sink	401264-002	149267-001	5721, 24
Processor, 550, PIII, w/ Heat Sink	352772-006	138159-001	5733, 35, 38
Processor, 550, PIII, w/ Heat Sink	352772-006	153841-001	5736

Memory DIMMs	Assembly	Spare Part	System
32 MB, 100 MHz	323029-001	337372-001	5710, 21, 24
32 MB, 100 MHz	323029-001	166890-001	5710, 16, 17, 21, 22, 24, 26, 28
64 MB, 100 MHz	323012-001	179190-001	5710, 11, 12, 14, 15, 16, 17, 18, 21, 22, 24, 26, 28
128 MB, 100 MHz	323013-001	166966-001	5716, 22, 26, 33, 35, 36, 38

Miscellaneous	Assembly	Spare Part	System
Audio Board, PCI, ESI 1373	102392-001	113897-001	5722, 26, 36
Button/Headphone Board, w/ Cable	127738-001	141011-001	5710, 11, 12, 14, 15, 16, 17, 21, 22, 24, 26, 33, 35, 36, 38
Fan, 92MM	327276-004	154393-001	5722, 26, 36
Hardware/Plastic Kit, Misc./MT and MC		128386-001	5711, 12, 14, 15, 21, 24
Keyboard, Internet Opal – US	341162-006	387084-XX3	5710, 11, 12, 14, 15, 16, 17, 21, 22, 24, 26, 35, 36, 38
Mouse, Scroll	334684-006	334689-002	5710, 11, 12, 14, 15, 16, 17, 21, 22, 24, 26, 33, 35, 36, 38
Video Board, 8 MB		142707-001	5716
Video Board, 16 MB		144307-001	5722, 26, 36
Video Graphics, S3 Savage 4, 8 MB	128244-001	128479-001	5716, 17, 18, 22, 26, 28, 33, 35, 36, 38

# Presario 5700

<b>Controller Boards</b>	<b>Assembly</b>	<b>Spare Part</b>	<b>System</b>
NIC, 10/100	153110-001	157045-001	5722, 26, 36
PCI, 10/100 w/ TX	122849-001	123494-001	5710, 11, 12, 14, 16, 17, 21, 22, 24, 26, 33, 36
PCI, TUT	116158-001	120788-001	5712, 14, 16, 22, 24, 26

<b>Hard Drives</b>	<b>Assembly</b>	<b>Spare Part</b>	<b>System</b>
8.0 GB	305891-100	134127-001	5716, 18
10.0 GB, IDE	305891-101	127244-001	5712, 16
10.0 GB		320662-001	5716
12.0X, 13.0X GB, IDE	352745-001	480080-001	5711, 14, 15, 16, 18, 24, 28, 38
13.0 GB	118179-020	157401-001	5722, 26
13.0 GB, 5400 ATA66	122259-001	134128-001	5726
13.5 GB, 7200 rpm	386910-001	123635-001	5726
15.0 GB, IDE	305891-103	128476-001	5710, 16, 21, 26, 35, 36
17.0 GB		127245-001	5736
19.0 GB	320880-001	334788-001	5717, 22, 26, 33, 36

<b>CD-ROM Drive</b>	<b>Assembly</b>	<b>Spare Part</b>	<b>System</b>
32X, IDE	170730-806	135083-001	5710, 11, 14, 15, 18
4X, Read/Write		120893-001	5726, 35, 36, 38
6X, DVD, Stone	401335-812	136435-001	5712, 16, 17, 18, 21, 24, 28, 33, 35, 38
6X, DVD, Special RH	401335-812	158959-001	5722, 26, 36

<b>Diskette Drives</b>	<b>Assembly</b>	<b>Spare Part</b>	<b>System</b>
Zip, 100 MB	270928-803	135568-001	5712, 14, 15, 16, 17, 22, 24, 33, 38
Zip, 100 MB		328934-001	5710
1.44 MB	388617-806	136436-001	5722
			5710, 11, 12, 14, 15, 16, 17, 21, 22, 24, 26, 33, 35, 36, 38

<b>Modems</b>	<b>Assembly</b>	<b>Spare Part</b>	<b>System</b>
56K DSL, Combo (NA only)	116159-001	120789-001	5716, 17, 22, 26, 35, 38
56K, Katana (APD only)	334790-021	334808-021	5713, 16, 22, 26, 36, 46
56K, Controllerless – Goldwing	125366-001	128384-001	5710, 11, 12, 14, 15, 16, 18, 21, 24, 26, 33, 35, 36, 38

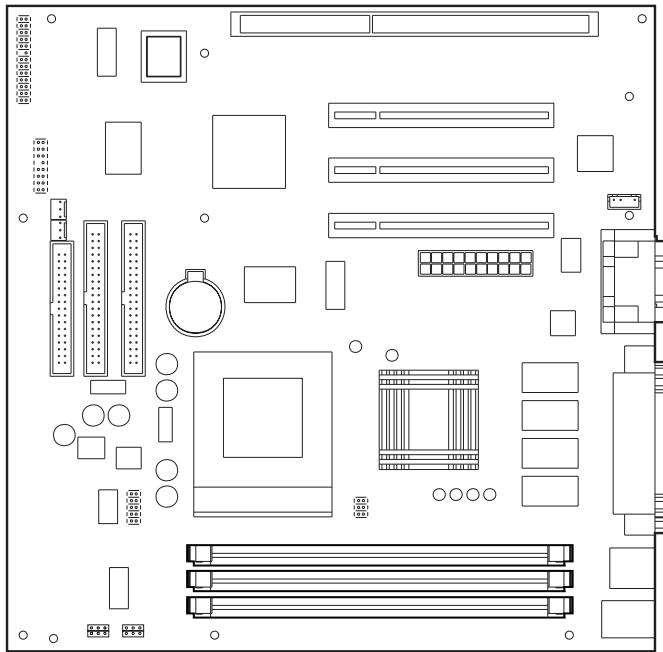
<b>Cables</b>	<b>Assembly</b>	<b>Spare Part</b>	<b>System</b>
Modem – US, PR, Canada, Caribbean, LA, Brazil	112666-003	137256-001	5710, 11, 12, 14, 15, 16, 17, 21, 22, 24, 26, 33, 35, 36, 38
Cable Kit, Misc./MT and MC		128385-001	5710, 11, 12, 14, 15, 16, 17, 21, 22, 24, 26, 33, 35, 36, 38
Cable, SVideo		388342-001	5716, 22, 26, 36

<b>Power Supply/Battery</b>	<b>Assembly</b>	<b>Spare Part</b>	<b>System</b>
Battery, RTC, 3V 220m	298031-001	234556-001	5710, 11, 12, 14, 15, 21, 24
Power Supply, 200W		155469-021	5716, 22, 26, 36
Power Supply, 200W w/ Fan, ACPI	124892-001	128017-001	5710, 11, 12, 14, 15, 16, 17, 18, 21, 22, 24, 26, 28, 33, 35, 36, 38

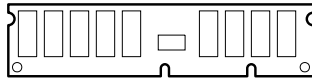
# Presario 5700

## Presario 5710 Memory Upgrade Chart

SYSTEM BOARD  
142805-001



MAXIMUM MEMORY 384MB

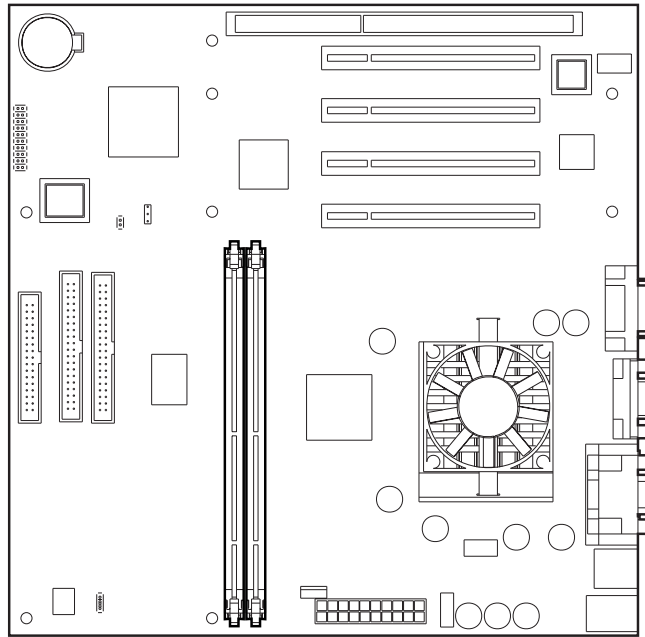


MEMORY OPTIONS NOT AVAILABLE

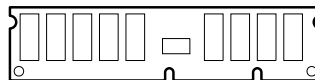
# Presario 5700

## Presario 5711, 12, 14, 15, 21, 24 Memory Upgrade Chart

SYSTEM BOARD  
388251-101  
(64MB)



MAXIMUM MEMORY 256MB



32-MB 100MHz SDRAM DIMM - OPTION PN 308875-001

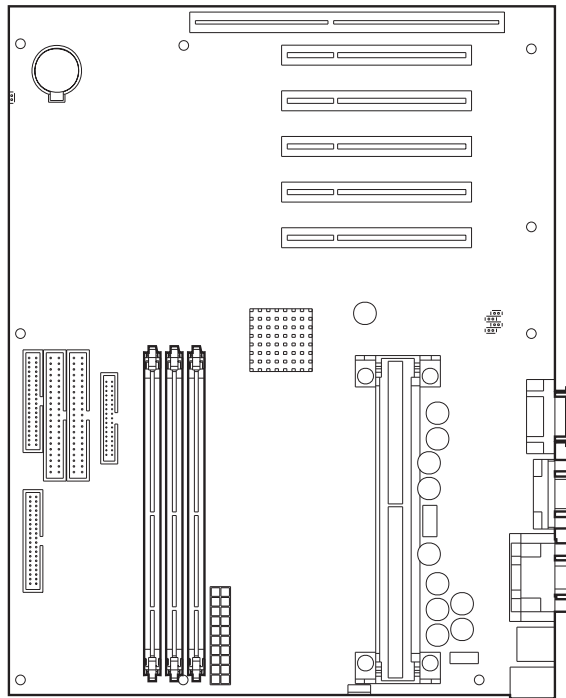
64-MB 100MHz SDRAM DIMM - OPTION PN 308877-001

128-MB 100MHz SDRAM DIMM - OPTION PN 308878-001

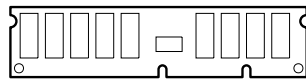
# Presario 5700

## Presario 5716, 17, 18, 22, 26, 28, 33, 35, 36, 38 Memory Upgrade Chart

SYSTEM BOARD  
388249-101, 388249-102  
(96MB)



MAXIMUM MEMORY 384MB



- 32-MB 100MHz SDRAM DIMM - OPTION PN 308875-001
- 64-MB 100MHz SDRAM DIMM - OPTION PN 308877-001
- 128-MB 100MHz SDRAM DIMM - OPTION PN 308878-001