

Presario 7500

Processor Boards	Assembly	Spare Part	System
Processor Board w/o Processor	157126-101	170686-101	7500, 43, 68, 73, 83, 87, 88, 89, 91, 92, 95, 96, 97, 98, 99

Configuration Code	Assembly	System Board Spare Part	Model
DCV1	157126-101	170686-101	7500
DCV2	157126-101	170686-101	7500
DCV3	157126-101	170686-101	7500
DCV6	157126-101	170686-101	7500
DCV7	157126-101	170686-101	7500
DCV8	157126-101	170686-101	7596
DCVB	157126-101	170686-101	7573
DCW1	157126-101	170686-101	7500
DCW2	157126-101	170686-101	7568
DCW3	157126-101	170686-101	7588
DCW4	157126-101	170686-101	7588
DCW5	157126-101	170686-101	7568
DCW6	157126-101	170686-101	7587
DCW7	157126-101	170686-101	7500
DCW8	157126-101	170686-101	7583
DCW9	157126-101	170686-101	7596
DCWA	157126-101	170686-101	7599
DCWB	157126-101	170686-101	7583
DCWC	157126-101	170686-101	7598
DCWE	157126-101	170686-101	7592
DCWF	157126-101	170686-101	7591
DCWH	157126-101	170686-101	7597
DCWJ	157126-101	170686-101	7595
DCWK	157126-101	170686-101	7598
DCWL	157126-101	170686-101	7589
DCWM	157126-101	170686-101	7500
DCWR	157126-101	170686-101	7599
DCWS	157126-101	170686-101	7543

Microprocessors	Assembly	Spare Part	System
466, Celeron, w/ Heat Sink	401264-006	157285-001	7500, 43
500, Celeron, w/ Heat Sink	401264-007	149267-001	7500
533, Celeron, w/ Heat Sink	401264-009	149266-001	7573
566, Celeron, w/ Heat Sink	174029-002	175863-001	7500, 96
500, Pentium III, w/ Heat Sink	158353-001	170073-001	7500, 68, 83, 87
550, Pentium III, w/ Heat Sink	158353-002	170074-001	7500, 83, 88, 89
600, Pentium III, w/ Heat Sink	158353-003	171260-001	7500, 91, 92, 97, 98, 99
650, Pentium III, w/ Heat Sink	158353-004	186982-001	7595
700, Pentium III, w/ Heat Sink	157381-001	176842-001	7599
700, Pentium III, w/ Heat Sink	158353-005	189015-001	7599

Presario 7500

Memory DIMMs	Assembly	Spare Part	System
64 MB	309036-001	179190-001	7500, 68, 73, 83, 87, 88, 89, 91, 92, 96, 97, 98, 99
128 MB	309037-001	166966-001	7583, 88, 95, 98, 99

Miscellaneous	Assembly	Spare Part	System
Button Board, Headphone	127738-101	141011-001	7500, 43, 73, 83, 87, 88, 95, 96, 97, 98, 99
Button Board, Headphone	127738-101	155463-021	7568, 88, 89, 91, 92, 98, 99
Ethernet Card, Homenet	116158-001	120788-001	7587, 97
Front I/O Assembly	158487-002	170077-001	7500, 43, 68, 73, 83, 87, 88, 89, 91, 92, 95, 96, 97, 98, 99
Keyboard	341162-XXX	387084-XXX	7500, 43, 68, 73, 83, 87, 88, 89, 91, 92, 95, 96, 97, 98, 99
Mouse, Scroll	334684-006	334689-002	7500, 43, 68, 73, 83, 87, 88, 89, 91, 92, 95, 96, 97, 98, 99

Controller Boards	Assembly	Spare Part	System
NIC, 10/100	122849-001	123494-001	7573, 83, 88

Hard Drives	Assembly	Spare Part	System
8.0 GB	158739-001	168027-001	7500, 43
10.0 GB	138224-001	168028-001	7500, 89, 91
13.0 GB	158740-001	168030-001	7500, 68, 88, 98, 99
15.0 GB	168097-001	170389-001	7500
17.0 GB	159945-001	168591-001	7573
20.0 GB	165123-001	168031-001	7583, 87, 92
30.0 GB	165134-001	168628-001	7588, 95, 96, 97
40.0 GB	171457-001	173342-001	7598, 99

CD-ROM Drive	Assembly	Spare Part	System
40X, Stone	388770-806	134125-001	7500, 43, 87, 88, 97, 98
DVD, 12X	177719-F82	180811-001	7500, 43, 68, 83, 88, 89, 95, 96, 98, 99
RW	147290-001	120893-001	7573, 83, 87, 88, 91, 92, 95, 96, 97, 98, 99

Diskette Drives	Assembly	Spare Part	System
1.44 MB	388617-806	136436-001	7500, 43, 68, 73, 83, 87, 88, 89, 91, 92, 95, 96, 97, 98, 99

Modems	Assembly	Spare Part	System
V.90, PCI Lucent	155817-001	166358-002	7500, 68, 88, 89, 91, 92, 98, 99
V.90, PCI 56K, Enduro	146139-001	166386-001	7500, 43, 73, 83, 87, 88, 95, 96, 97, 98, 99
V.90, PCI 56K, Enduro	146139-002	166386-002	7500, 43, 83, 87, 88, 95, 96, 97, 98, 99
Modem w/ Adapter	165268-001	165224-001	7568, 88

Presario 7500

Cables	Assembly	Spare Part	System
Audio	171891-009	174773-001	7500, 43, 68, 73, 83, 87, 88, 89, 91, 92, 95, 96, 97, 98, 99
Dual Connect, all SEC Devices	167344-001	171290-001	7500, 43, 68, 73, 83, 87, 88, 89, 91, 92, 95, 96, 97, 98, 99
FDD	122240-001	171291-001	7500, 43, 68, 73, 83, 87, 88, 89, 91, 92, 95, 96, 97, 98, 99
Hard Drive, ATA 66	108950-014	171289-001	7500, 43, 68, 73, 83, 87, 88, 89, 91, 92, 95, 96, 97, 98, 99
Telephone L/Line	112666-003	137256-001	7500, 68, 73, 83, 87, 88

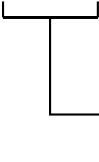
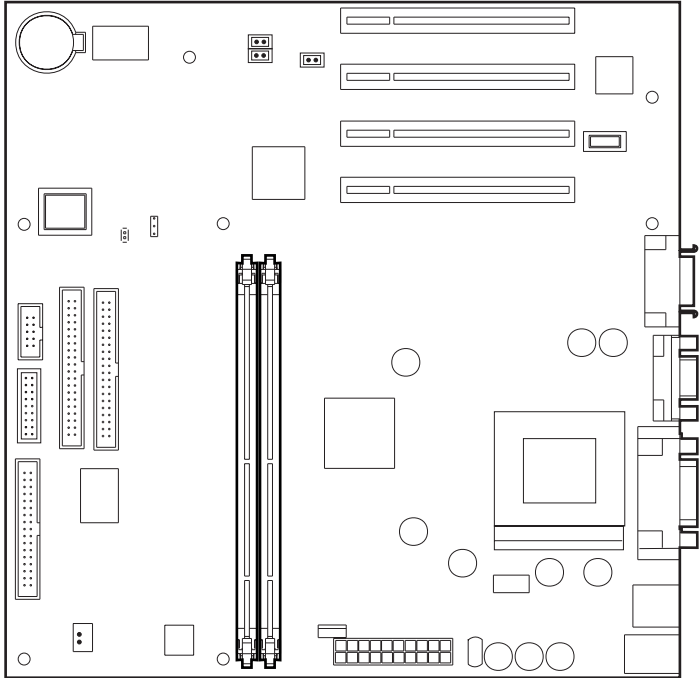
Modem Cables	Assembly	Spare Part	System
Modem Cable, Ferrite, United Kingdom	165227-033	161779-033	7568, 88
Modem Cable, Telephone, Norway	165227-091	304398-091	7568, 88
Modem Cable w/ Adapter	165268-001	242636-001	7568, 88
Modem Cable Adapter – Australia	234441-011	304398-011	7568, 88
Modem Cable Adapter – Belgium	234441-181	304398-181	7568, 88
Modem Cable Adapter – Denmark	234441-081	316904-081	7568, 88
Modem Cable Adapter – Finland	234441-351	316904-351	7568, 88
Modem Cable Adapter – France	234441-051	304398-051	7568, 88
Modem Cable Adapter – Italy	234441-061	316904-061	7568, 88
Modem Cable Adapter – Netherlands	234441-331	316920-331	7568, 88
Modem Cable Adapter – Sweden	234441-101	316904-101	7568, 88
Modem Cable Adapter – Switzerland	234441-112	316904-112	7568, 88
Modem Cable Adapter – United Kingdom	234441-032	158593-031	7568, 88

Power Supply/Battery	Assembly	Spare Part	System
Power Supply, 145 W	124848-001	127999-001	7500, 43, 73, 83, 87, 88, 95, 96, 97, 98, 99
Power Supply, 145 W	124848-001	155461-021	7568, 88, 89, 91, 92, 98, 99

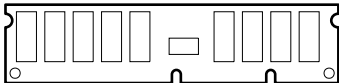
Presario 7500

Memory Upgrade Chart

SYSTEM BOARD
157126-100



MAXIMUM MEMORY 512 MB



MEMORY OPTIONS NOT AVAILABLE