

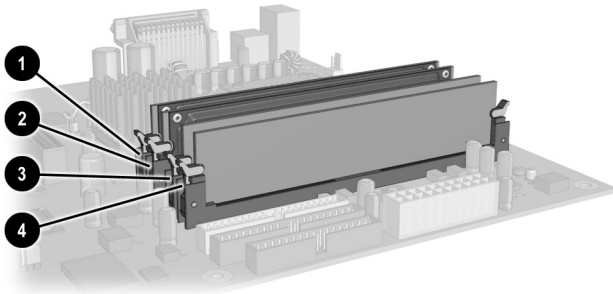
Presario 7000 Series

Information in this Section supercedes the current edition of the *My Presario — Getting Started and Beyond* guide

Your new Compaq Presario 7000 Series is an ultra-performance platform especially designed for the extreme power user. It utilizes the latest in technology, including the Intel Pentium IV processor with speeds starting at 1.4 GHz and a 400 MHz system data bus.

PC800 RDRAM Memory

Your Compaq Presario 7000 Series dual-channel RDRAM architecture supports PC800 RDRAM system memory configurations to 1GB. This Presario model is equipped with four memory slots. Memory slots ❶ and ❷ are populated with a perfectly-matched pair of RIMM modules. Memory slots ❸ and ❹ are populated with blank memory modules that can be replaced with an additional pair of matched-memory modules at a later date.



Before adding or replacing memory modules, it is important to understand the following:

Caution: Do not leave any of the slots vacant. All slots must be populated to maintain a closed circuit, or your computer will not start.

- Memory modules must be purchased in perfectly-matched pairs. For instance, you may have two 64-MB memory modules or two 128-MB memory modules.
- If memory modules are used in slots ③ and ④ they must be a perfectly-matched pair, but they do not need to match the modules in ① and ②.
- To ensure that you are buying perfectly-matched pairs, check the information displayed on the package. The package should show the amount of memory and the number of devices in this manner:

64MB / 4 PC800-45

Caution: Before working with the components inside the computer, ground yourself and the equipment to prevent static electricity from damaging the parts. Discharge any static buildup by touching the metal part of the computer chassis before touching any internal parts or before removing new memory modules from the anti-static protective sleeve.

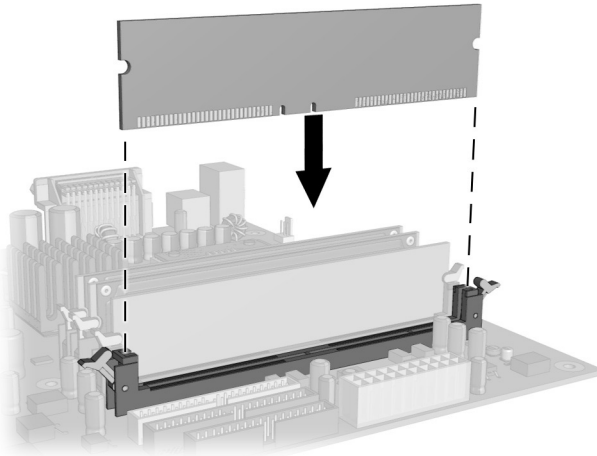
To replace memory:

1. Complete the Accessing the Internal Computer Components procedure in the “Computer Upgrades” chapter of the *My Presario — Getting Started and Beyond* guide that came with your computer.
2. Pull outward on the release latches found at each end of ❶ and ❷.
3. Remove the two original memory modules by lifting each straight up.

Caution: The memory module fits into the slot only one way. Make sure the notches are aligned. For ease of handling, insert the first module into slot ❷, the interior slot.

4. Align the replacement memory module with the vacated memory slot.
5. Insert the memory module straight in, pressing down at each end with equal pressure. Push the module carefully and firmly into the slot, ensuring that the latches on both ends snap into place.
6. Repeat Steps 4 and 5 for slot ❶.
7. Close the computer housing.
8. Restart your computer.

Note: If you restart your computer and it does not work, consult the “Computer Upgrades” chapter in your *My Presario — Getting Started and Beyond* guide.



To add memory:

1. Complete the Accessing the Internal Computer Components procedure in the *My Presario — Getting Started and Beyond* guide.

Caution: Before working with the components inside the computer, ground yourself and the equipment to prevent static electricity from damaging the parts. Discharge any static buildup by touching the metal part of the computer chassis before touching any internal parts or before removing new memory modules from the anti-static protective sleeve.

2. Pull outward on the release latches found at each end of the ❸ and ❹ memory slots.
3. Remove the two blank memory modules by lifting each straight up.

Caution: The memory module fits into the slot only one way. Make sure the devices are aligned. For ease of handling insert the first module into slot ❸, the interior slot.

4. Align the memory module with the vacated memory slot.
5. Insert the memory module straight in, pressing down at each end with equal pressure. Push the module carefully and firmly into the slot, ensuring that the latches on both ends snap into place.
6. Repeat Steps 4 and 5 for slot ❹.
7. Close the computer housing.
8. Restart your computer.

Caution: Do not leave any of the slots vacant. All slots must be populated to maintain a closed circuit, or your computer will not start. Keep the blank memory modules you removed in a safe place in case you need them in the future.

Note: If you restart your computer and it does not work, consult the “Computer Upgrades” chapter in your *My Presario — Getting Started and Beyond* guide.

Notice

The information in this newsletter is subject to change without notice.

COMPAQ COMPUTER CORPORATION SHALL NOT BE LIABLE FOR TECHNICAL OR EDITORIAL ERRORS OR OMISSIONS CONTAINED HEREIN; NOR FOR INCIDENTAL OR CONSEQUENTIAL DAMAGES RESULTING FROM THE FURNISHING, PERFORMANCE, OR USE OF THIS MATERIAL.

This newsletter contains information protected by copyright. No part of this newsletter may be photocopied or reproduced in any form without prior written consent from Compaq Computer Corporation.

©2000 Compaq Computer Corporation.

All rights reserved.

Compaq is registered with the
U.S. Patent and Trademark Office.

Product names mentioned herein are trademarks and/or registered trademarks of their respective companies.

Printed in the U.S.A.



240449-021