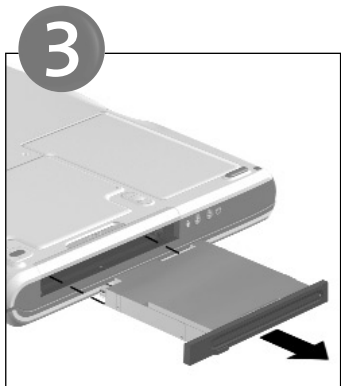
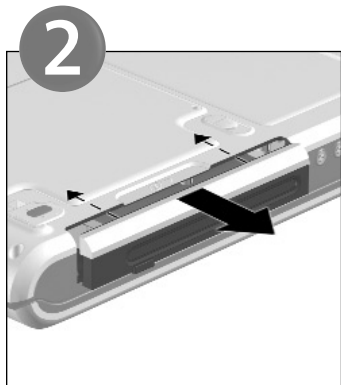
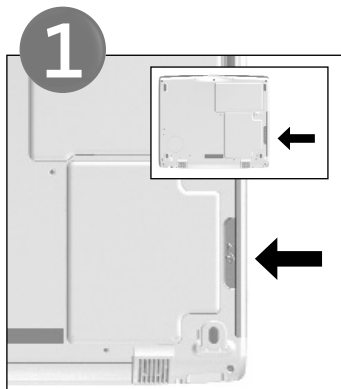


COMPAQ



©2001 Compaq Computer Corporation.
Printed in the United States, Brazil,
Canada, China, Japan, Korea, Mexico,
Singapore, Taiwan, and the United
Kingdom. Compaq is registered in the U.S.
Patent and Trademark Office. First Edition
September 2001.



249851-001