

hp digital
home networking



Ethernet USB
network adapter
hn210e
quick start guide

The Hewlett-Packard® Company makes no warranty of any kind with regard to this material, including, but not limited to, the implied warranties of merchantability and fitness for a particular purpose.

The information in this document is subject to change without notice.

HP shall not be liable for errors contained herein or for incidental or consequential damages in connection with the furnishing, performance, or use of this material.

This document contains proprietary information that is protected by copyright. All rights are reserved. No part of this document may be photocopied, reproduced, or translated to another language without the prior written consent of HP.

Hewlett-Packard Company
Home Networking Solutions Organization
3000 Hanover St
Palo Alto, Ca 94304

© Hewlett-Packard Company, 2001. All rights reserved.

Hewlett-Packard is a registered trademark of Hewlett-Packard Company in the United States of America and other countries.

Microsoft, MS, MS-DOS, and Windows are registered trademarks of Microsoft Corporation.

Other brand or product names are trademarks of their respective holders.

Ethernet USB network adapter

hn210e

Thank you for choosing the Hewlett-Packard Digital Home Networking Ethernet USB Network Adapter. This *quick start guide* provides easy set-up instructions. For additional information, see the *user's guide* included on the CD-ROM.

box contents

- One Ethernet USB Network Adapter
- One installation and documentation CD-ROM
- One USB cable
- One Ethernet cable (blue)
- One *quick start guide*
- One warranty sheet

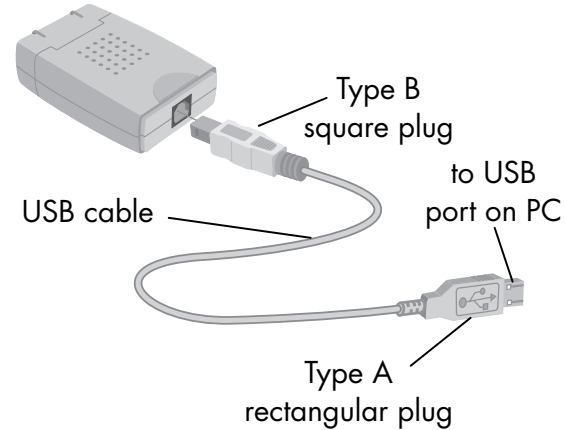
before you begin

- 1 Verify that all of the box contents are included.
- 2 Confirm that the computers you plan to connect to the Adapter are all running either Windows 98, 98SE, Me, 2000, or XP. Windows 2000 and XP Professional require administrative privileges to install this software — see your user documentation for details.
- 3 Verify that each computer you're connecting to the network has a CD-ROM drive to run the installation software.
- 4 If the computer is on, turn it off.

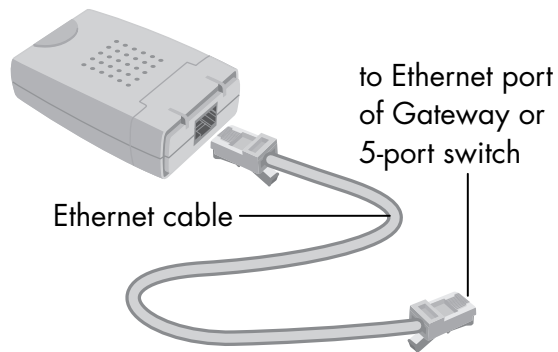
2

connecting the network adapter

- 1 Plug the Type B square plug of the USB cable into the USB port of the adapter as illustrated.



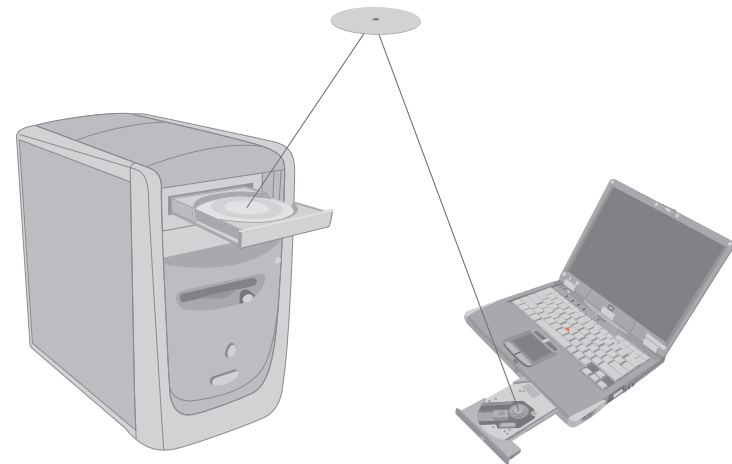
- 2 Plug the Type A rectangular end into the USB port on your computer. Consult the user documentation of your computer if you are unsure where the USB port is located.
- 3 Plug one end of the Ethernet cable into the Ethernet port on your adapter as shown in the diagram:



- 4 Plug the other end of the Ethernet cable into the Ethernet port of your Gateway, hub, or switch.

installing the driver

- 1 Turn on the computer and insert the CD-ROM into the CD-ROM drive of the computer.



- 2** The computer operating system automatically recognizes the new USB network adapter, and the Add New Hardware screen appears.
- 3** Accept the default selection, **Automatic search for a better driver**, and click **Next**.
- 4** The computer operating system automatically finds and installs the correct driver from the CD-ROM. Once a successful installation is reported, click **Finish**.
- 5** If the wizard asks permission to restart the computer, click **Yes**. If the wizard does not appear, restart the computer.

registering the network adapter

Make sure you register your product with HP after the installation process is complete. Enter the following into the address window of your Web browser (such as Internet Explorer or Netscape):

<http://register.hp.com>

Then press Enter.

accessing additional documentation

- 1 Insert the CD-ROM into the CD-ROM drive of the computer.
- 2 On the desktop, double-click **My Computer**, then double-click the **Compact Disc** icon (or navigate to the CD-ROM drive in Windows Explorer).
- 3 Double-click the **hn210e** folder.
- 4 Double-click your language selection folder (**English**).
- 5 Double-click **user's guide**.

Note: *Keep the CD-ROM in a safe place for future use.*

product and support information

- HP Customer Care: (208) 323-2551; **<http://www.hp.com/cposupport>**
- Online product information and technical support: **<http://www.hp.com/go/homenetworking>** (includes a home networking tutorial, FAQs, and other information)