

# C Printer memory and expansion

## Overview

This appendix includes:

- [Determining memory requirements](#)
- [Installing memory](#)
- [Checking memory installation](#)
- [Saving resources \(permanent resources\)](#)
- [Installing EIO cards/mass storage](#)

The printer has three DIMM slots for upgrading:

- more printer memory. DIMMs are available in 16, 32, 64, and 128 MB, for a maximum of 384 MB.
- flash DIMMs, available in 2, 4, 6, 8, and 16 MB. Unlike standard printer memory, flash DIMMs can be used to permanently store downloaded items in the printer, even when the printer is off.
- DIMM-based accessory fonts, macros, and patterns.
- other DIMM-based printer languages and printer options.

---

**Note**

Single in-line memory modules (SIMMs) used on previous HP LaserJet printers are not compatible with this printer.

You might want to add more memory to the printer if you often print complex graphics or PS documents, print with the optional duplex printing accessory, use many downloaded fonts, or print large paper sizes (such as A3, B4, or 11 by 17).

The printer has three EIO slots for expanding printer capabilities:

- One or more network cards.
- A mass storage device, such as a hard disk.

For ordering information, see the HP Customer Care section in the *introduce* guide on the product CD, or go to [www.hp.com/cposupport/](http://www.hp.com/cposupport/).

## Determining memory requirements

The amount of memory you need depends on the types of documents you print. Your print engine can print most text and graphics at 1,200 dpi FastRes without additional memory.

Add memory to your printer if you:

- commonly print complex graphics.
- use many temporarily downloaded fonts.
- print complex documents.
- print two-sided documents.
- use advanced functions.
- print PostScript documents.

## Installing memory

Use this procedure to install additional memory. Before you begin, print a configuration page by pressing **22** on the numeric keypad to find out how much memory is installed in the printer before adding more memory. The table lists the maximum amount of memory allowed for each DIMM slot.

**Note** To obtain 384 MB of memory, you need to remove the 64 MB that came with the printer and replace it with 128 MB.

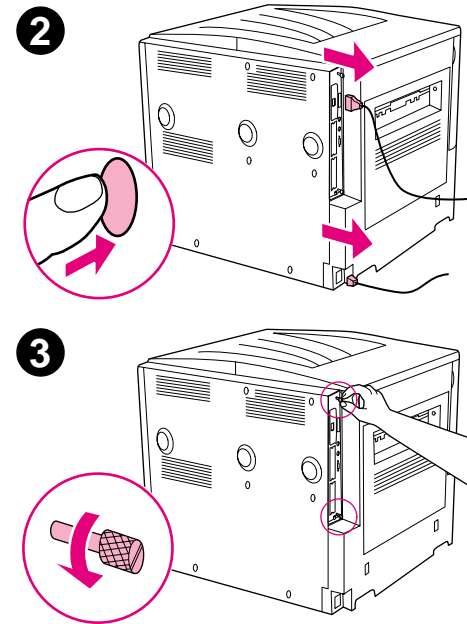
Slot label on the Configuration page	Slot label on the Formatter board	Description
Slot 1	J1	Flash firmware
Slot 2	J2	64 MB
Slot 3	J3	128 MB
Slot 4	J4	128 MB
Total		384 MB

**CAUTION**

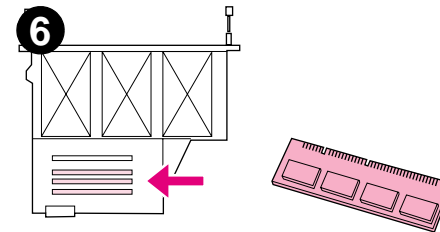
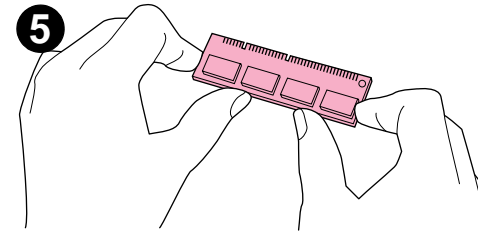
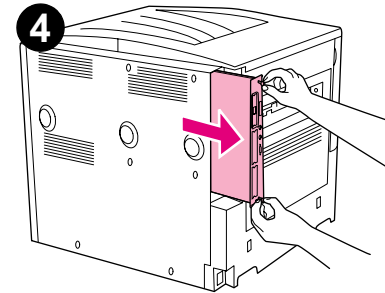
Static electricity can damage DIMMs. When handling DIMMs, either wear an antistatic wrist strap or frequently touch the surface of the DIMM antistatic package, then touch bare metal on the printer.

**To install memory**

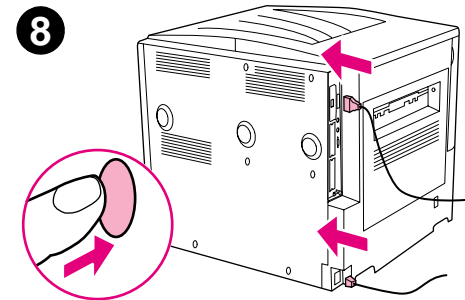
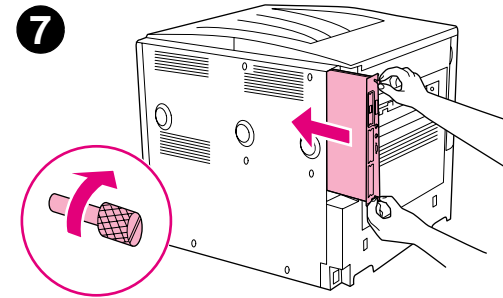
- 1 If you have not already done so, print a configuration page to find out how much memory is installed in the printer before adding more memory. (Press **22** on the numeric keypad when the printer is idle.)
- 2 Turn the printer off. Disconnect the power cord and any cables.
- 3 Loosen the two captive thumb screws on the back of the printer.



- 4 Grasp the screws and pull the formatter board out of the printer. Place it on a flat, non-conductive surface.
- 5 Remove the DIMM from the antistatic package. Hold the DIMM with fingers against the side edges and thumbs against the back edge. Align the notches on the DIMM with the DIMM slot. (Check that the locks on each side of the DIMM slot are open, or outward.)  
  
See “Installing memory” on page 200 for the maximum amount of memory for each DIMM slot.
- 6 Press the DIMM straight into the slot (press firmly). Make sure the locks on each side of the DIMM snap inward into place. (To remove a DIMM, the locks must be released.)



- 7 Slide the formatter board back into the printer and tighten the two screws.
- 8 Plug in the power cord and connect all cables. Turn the printer on.



## Checking memory installation

Follow this procedure to verify that DIMMs are installed correctly:

- 1 Check that the printer control panel displays `READY` when the printer is turned on. If an error message appears, a DIMM might have been incorrectly installed.
- 2 Press `22` on the numeric keypad. The configuration page prints.
- 3 Check the memory section on the configuration page and compare it to the configuration page printed before the DIMM installation. If the amount of memory has not increased, one of the following situations might have occurred:
  - The DIMM might not be installed correctly. Repeat the installation procedure.
  - The DIMM might be defective. Try a new DIMM, or try installing the DIMM in a different slot.

---

**Note**

If you installed a printer language (personality), check the Installed Personalities and Options section on the configuration page. This area should list the new printer language.



## Saving resources (permanent resources)

Utilities or jobs that you downloaded to the printer sometimes include resources (for example, fonts, macros, or patterns). Resources that are internally marked as permanent remain in the printer memory until you turn the printer off.

If you do not have an optional hard disk or flash DIMM for storing downloaded resources, you might want to change the amount of memory allocated to each language when downloading an unusually large number of fonts, or if the printer is in a shared environment.

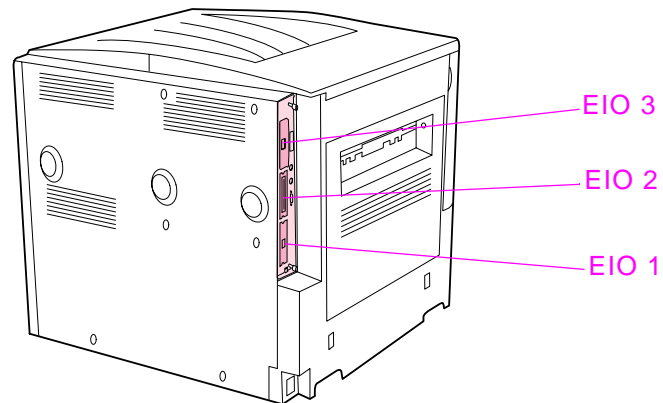
The minimum amount of memory that can be allocated to resource saving is 400 KB each for PCL and PS.

## Installing EIO cards/mass storage

Hewlett-Packard constantly introduces new software tools for use with your printer and accessories. These tools are available from the Internet free of charge. (See the *introduce* guide on the product CD, or go to [www.hp.com/cposupport/](http://www.hp.com/cposupport/).)

Follow this procedure to install an EIO card or mass storage device:

- 1 Turn off the printer and remove the power cord before installing the EIO cards or mass storage device.
- 2 Use the graphic for the location of the EIO cards or optional mass storage device, such as a hard disk.



- 3 Use HP Resource Manager to manage fonts on a mass storage device, or LaserJet Utility on a Macintosh.
- 4 After you have installed a new device, press **22** on the numeric keypad to print a configuration page.