



# contents



english

<b>1</b>	<b>welcome</b> . . . . .	<b>1</b>
	find more information . . . . .	1
	what's in the box . . . . .	2
	printer overview . . . . .	3
	front . . . . .	3
	back . . . . .	3
	control panel . . . . .	4
	indicator lights . . . . .	5
	input bay . . . . .	5
	menu structure . . . . .	6
	print cartridge information . . . . .	7
	supported print cartridges . . . . .	7
	install or replace print cartridges . . . . .	8
	ink-backup printing mode . . . . .	10
<b>2</b>	<b>installation troubleshooting</b> . . . . .	<b>11</b>
<b>3</b>	<b>support and specifications</b> . . . . .	<b>15</b>
	support . . . . .	15
	hp support by phone . . . . .	16
	specifications . . . . .	18
	system requirements . . . . .	18
	printer specifications . . . . .	19
	hardware services . . . . .	21
	software services . . . . .	22
	hp limited warranty statement . . . . .	22
	safety information . . . . .	24
	environmental statements . . . . .	24
	protecting the environment . . . . .	24
	ozone production . . . . .	24
	energy consumption . . . . .	25
	paper use . . . . .	25
	plastics . . . . .	25
	material safety data sheets . . . . .	25
	recycling program . . . . .	25
	regulatory statements . . . . .	25
	copyrights and trademarks . . . . .	26

english



## 1

## welcome

Thank you for purchasing an HP Photosmart 7900 Series printer! With your new photo printer, you can print beautiful photos, save photos to your computer, and create fun and easy projects.

## find more information

Your new printer comes with the following documentation to help you get started and get the most out of your printer:

- **The HP Photosmart 7900 Series Setup Guide** — The *HP Photosmart Setup Guide* contains quick and easy instructions to help you set up your printer and install the printer software.
- **This HP Photosmart 7900 Series Reference Guide** — This reference guide contains software troubleshooting information, describes how to get support from [www.hp.com/support](http://www.hp.com/support), and explains how to contact HP support.
- **HP Photosmart Printer Help** — The HP Photosmart Printer Help describes how to use the more advanced features of your new printer. It includes information about printer care and maintenance, advanced troubleshooting, and error messages.

After you have installed the HP Photosmart printer software on your computer, you can view and print the HP Photosmart Printer Help.

**Note:** If you are using a Windows® PC and you want to install the HP Photosmart Printer Help in Arabic, Croatian, Estonian, Hebrew, Latvian, Lithuanian, or Slovak, insert the CD labeled "User's Guide" that came in the box with your printer.

## view the hp photosmart printer help

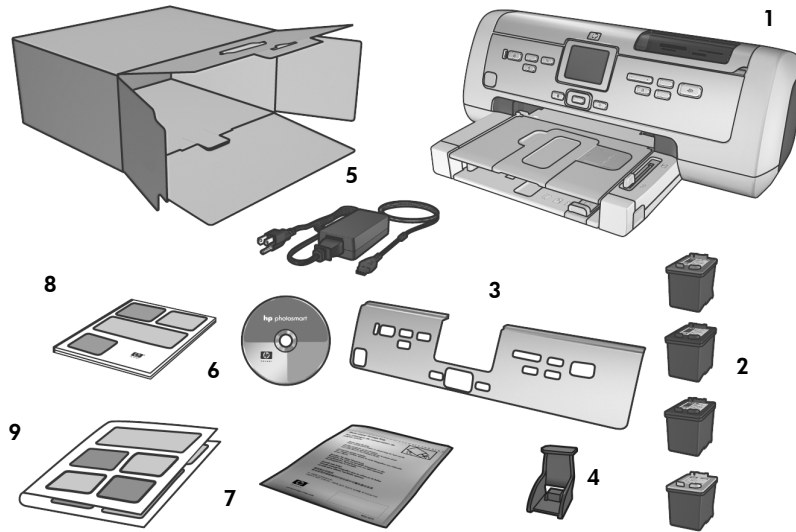
- **Windows PC:** From the **Start** menu, select **Programs** (in Windows XP, select **All Programs**); **Hewlett-Packard**; **Photosmart 140, 240, 7200, 7600, 7700, 7900 Series**; **Photo & Imaging Director**. From the **Photo & Imaging Director**, click **Help**.
- **Macintosh®:** Insert the HP Photosmart CD. In the **User Docs** folder, select your **language**, then double-click the **photosmart 7960.html** file.

## print the hp photosmart printer help

- **Windows PC:** Click **Print** in the top navigation bar of the HP Photosmart Printer Help window.
- **Macintosh:** Click the frame you want to print. From the **File** menu, select **Print**, or click **Print** in the top navigation bar of the browser.

## chapter 1

## what's in the box



Your printer box contains the following items:

**Note:** Some contents may vary by country and region.

- 1 The HP Photosmart 7900 Series printer
- 2 The HP#56 black print cartridge, HP #57 tri-color print cartridge, HP #58 photo print cartridge, and the HP#59 photo gray print cartridge
- 3 A faceplate
- 4 A print cartridge protector
- 5 A power supply (power supplies may vary in appearance or have an additional power cord)
- 6 The HP Photosmart 7900 Series printer software CD (some countries/regions may receive more than one CD)
- 7 A photo paper storage bag
- 8 The *HP Photosmart 7900 Series Reference Guide*
- 9 The *HP Photosmart 7900 Series Setup Guide*

# printer overview

For more information about the features shown in this section, see the HP Photosmart Printer Help.

## front

### Out tray

Remove this tray to load small media and to clear a paper jam

### Top cover

Lift this cover to access the input bay, the print cartridge storage area, and the direct-printing port

### LCD screen

Use this screen to view your photos and menu options

### Paper catch

Lift this tray to load paper

### Main door

Press the **DOOR OPEN** button (located on the control panel) to open this door to change the print cartridges

### Paper catch extension

Flip this guide open to catch the printed paper

### Paper width guide

Adjust this guide to fit close to the edge of the paper in the In tray

### Photo tray

Lift the paper catch to load photo paper in the photo tray

### In tray

Place paper, transparencies, envelopes, or other small media in this tray for printing

### Paper length guide

Adjust this guide to fit close to the end of the paper in the In tray

### Photo tray slider

Move this slider to engage or disengage the photo tray

## back

### Power cord connection

Use this port to connect the power cord included with the printer



### USB port

Use this port to connect the printer to your computer

### Rear access door

Remove this door to clear a paper jam

## chapter 1

## control panel

**PRINT NEW PHOTOS**

Press this button to automatically print the most recent photos that have not yet been printed

**ON**

Press this button to turn on the printer or put it into power save mode

**SAVE**

Press this button to save photos from a memory card to your computer

**OPEN DOOR**

Press this button to open the main door

**MENU**

Press this button to view the printer menu

**OK**

Press this button to select the current photo, to answer questions on the LCD screen, or to select menu options

**E-MAIL**

Press this button to send a photo via E-mail

**SELECT PHOTOS** ◀ ▶

Use these arrows to view all photos or to move the selection box on a zoomed photo

**ZOOM +/ZOOM -**

Press Zoom + to enter into Zoom mode or press Zoom - to enter into 9-up view mode to view nine photos on the printer's LCD screen at a time

**SIZE**

Press this button to select the print size of your photos

**PRINT**

Press this button to print selected photos from a memory card

**COPIES**

Press this button to select the number of copies you want to print

**SELECT PHOTOS** ▲ ▼

Use these arrows to view selected photos, to move the selection box on a zoomed photo, or to view menu selections

**CANCEL**

Press this button to deselect photos, to exit a menu, or to stop an action you have requested

**ROTATE**

Press this button to rotate the currently displayed photo

**Tip:** Press and hold a button to change its value rapidly. For example, press and hold the **SELECT PHOTOS** ▶ button to move rapidly through the photos on a memory card.

For more information about the menu structure for these buttons, see the HP Photosmart Printer Help.

### indicator lights

#### On/Attention light On (Green)

The power is on

#### Off

The printer is in power-save mode

#### Blinking (Green)

The printer is busy

#### Blinking (Red)

The printer requires attention



#### Memory card light On

The memory card is inserted correctly

#### Off

No memory card is inserted or a memory card is inserted incorrectly

#### Blinking

Information is being transmitted between the memory card and the printer or computer

### input bay

#### Input bay

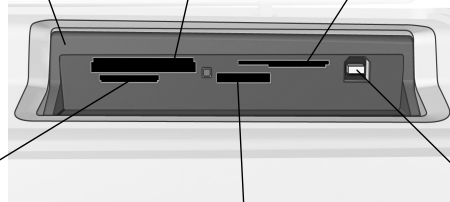
Use this bay to insert a memory card or to connect your HP direct-printing digital camera or your notebook computer to the direct-printing port

#### CompactFlash™/IBM® Microdrive memory card slot

You can insert a CompactFlash or an IBM Microdrive memory card into this slot

#### SmartMedia™/xD-Picture Card™ memory card slot

You can insert a SmartMedia memory card into the upper portion of this slot or an xD-Picture Card memory card into the lower right portion of this slot



#### MultiMediaCard™/Secure Digital™ memory card slot

You can insert a MultiMediaCard or a Secure Digital memory card into this slot

#### Sony® Memory Stick memory card slot

You can insert a supported Sony Memory Stick memory card into this slot

#### Direct-printing port

Use this port to connect a notebook computer or an HP direct-printing digital camera to the printer

## chapter 1

**menu structure**

Use this section to review options that are available from the main menu on your printer's LCD screen. To access the menu options, press the **MENU** button on the printer's control panel.

For more information about submenu options, see the HP Photosmart Printer Help. For information about accessing the HP Photosmart Printer Help, see **view the hp photosmart printer help** on page 1.

<b>Menu Option</b>	<b>Choices</b>
Print special	Print all Create album Print range Print index page Print proof sheet Scan proof sheet
Enhance image	Remove red-eye Photo brightness Add frame Add color effect
Tools	Slide show Print quality Print sample page Print test page Clean cartridges Calibrate printer
Preferences	After printing # of copies Photo size Video print Add date/time Borderless Exif printing Improve contrast Extend colors Colorspace Paper detect Camera selections Restore defaults Language

## print cartridge information

This section contains a brief overview of supported print cartridges, and instructions on how to install or replace print cartridges. For more detailed print cartridge information, see the HP Photosmart Printer Help.

### supported print cartridges

Your printer supports the following print cartridges. Installing a print cartridge that is not in this table may invalidate your printer warranty.

To print...	Use these print cartridges...
Documents and photos	<b>HP #58 (C6658A)</b> —Photo print cartridge and <b>HP #57 (C6657A)</b> —Tri-color print cartridge and <b>HP #56 (C6656A)</b> —Black print cartridge
Highest quality color or black and white photos	<b>HP #58 (C6658A)</b> —Photo print cartridge and <b>HP #57 (C6657A)</b> —Tri-color print cartridge and <b>HP #59 (C9359A)</b> —Photo gray print cartridge

When you install a print cartridge, match the number on the print cartridge to the number on the print cartridge latch. Your printer holds three print cartridges at a time.

**Caution!** Check that you are using the correct print cartridges. Also, note that HP does not recommend modifying or refilling HP print cartridges. Damage that results from modifying or refilling HP print cartridges is not covered by HP's warranty.

The print cartridges should be inserted into the printer as follows:

- Left print cartridge cradle—HP #58 (C6658A), photo print cartridge
- Middle print cartridge cradle—HP #57 (C6657A), tri-color print cartridge
- Right print cartridge cradle—HP #56 (C6656A), black print cartridge or HP #59 (C9359A), photo gray print cartridge

## chapter 1

**install or replace print cartridges**

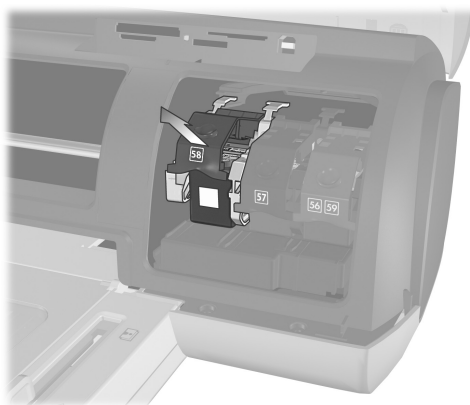
To get the best performance from your printer, use only genuine HP factory-filled print cartridges.

To get maximum use from your print cartridges, turn off the printer when it is not in use. Turning off the printer when it is not in use allows the printer to store the print cartridges properly.

**Caution!** Do not unplug the printer or turn off the power source (such as a power strip) until the On/Attention light is off.

**To install or replace the print cartridges:**

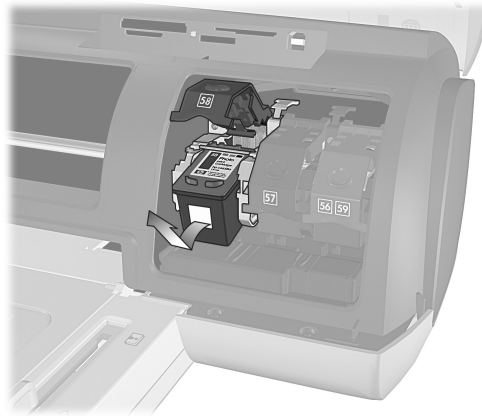
- 1 If the printer is off, press the **ON** button on the printer's control panel to turn on the printer.
- 2 Load plain paper in the In tray so the printer can print a calibration page after you install the print cartridges.
- 3 Press the **OPEN DOOR** button to open the main door.
- 4 Push down on the print cartridge latch and pull it forward. The print cartridge latch pops open.



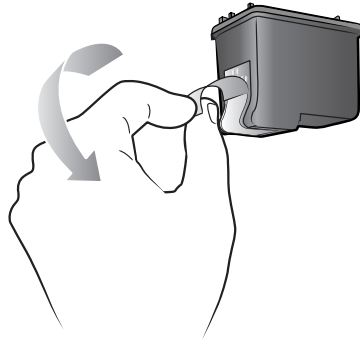


- 5 If you are replacing a print cartridge, slide the old print cartridge out and store, recycle, or discard it.

**Note:** For information about recycling print cartridges, go to [www.hp.com/recycle](http://www.hp.com/recycle).

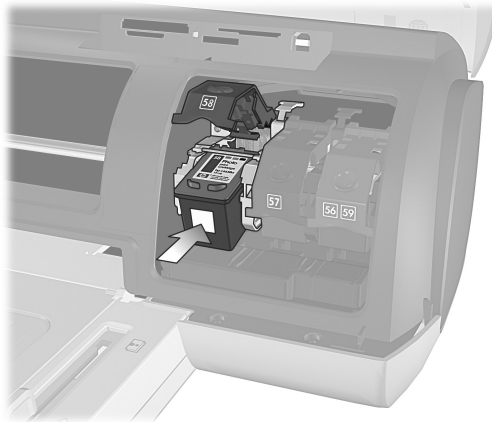


- 6 If you are installing a new print cartridge, take it out of its package. If you are replacing a cartridge that has been stored, remove it from the print cartridge protector.
- 7 If you are installing a new print cartridge, grasp the pink tab and gently peel off the plastic tape. Make sure you remove only the plastic tape. Be sure to install the print cartridge immediately after removing the tape; ink nozzles exposed longer than one minute may dry out and cause printing problems later. Once the tape is removed, do not attempt to replace it.



**Caution!** Do not touch the ink nozzles or the copper contacts on the print cartridge. Touching these parts may cause the print cartridge to fail.

- 8 Insert the print cartridge:
  - Hold the print cartridge so the copper contacts go into the printer first. Line up the ridges on the left and right sides of the top of the print cartridge with the grooves on the inside of the print cartridge cradle.
  - Carefully slide the print cartridge into the cradle under the metal bar, then firmly push the print cartridge in until it stops.



- Push down on the print cartridge latch until it locks.
- 9 Close the top cover and press the **OK** button. The printer prints a calibration page.

Your printer and print cartridges are calibrated to give you optimal printing results. You can discard the calibration page.

### ink-backup printing mode

Ink-backup Printing Mode allows you to keep printing even if one of your print cartridges fails or runs out of ink. If you receive a print cartridge error message on the printer's LCD screen or your computer monitor, remove the print cartridge and close the top cover to enter Ink-backup Printing Mode. You will see a message reminding you that you are in Ink-backup Printing Mode.

Printing in Ink-backup Printing Mode slows the printer and affects the print quality. Ink-backup Printing Mode will be used for all print jobs until the missing print cartridge is replaced. For more information about replacing print cartridges, see **install or replace print cartridges** on page 8.

## 2

## installation troubleshooting

english

Your HP Photosmart printer is designed to be reliable and easy to use. This chapter contains frequently asked questions about Windows PC installation. For detailed troubleshooting information about all aspects of your printer, including Macintosh installation and error messages, see the HP Photosmart Printer Help. For more information about viewing the printer help, see **view the hp photosmart printer help** on page 1.

Before contacting HP support, read this section for troubleshooting tips or go to the online support services at [www.hp.com/support](http://www.hp.com/support).

**Note:** In the presence of high electromagnetic fields, printed documents and photos may be slightly distorted.

**Note:** HP recommends using a USB cable of less than 10 feet (3 meters) in length to minimize injected noise due to potential high magnetic fields.

Problem	Possible cause	Solution
When I connected the printer to my computer, the Found New Hardware Wizard opened but did not recognize the printer.	You connected the printer to your computer before inserting the HP Photosmart CD.	<ol style="list-style-type: none"> <li>1 Disconnect the USB cable from the printer and close the Found New Hardware Wizard.</li> <li>2 Insert the HP Photosmart CD that came with your printer. When the Install Wizard appears, click <b>Cancel</b>.</li> <li>3 From the <b>Start</b> menu, click <b>Run</b>.</li> <li>4 Click <b>Browse</b> and navigate to your CD-ROM drive.</li> <li>5 Select the <b>Uninstaller.bat</b> file and click <b>Open</b>.</li> <li>6 Click <b>OK</b> to launch the Uninstaller.</li> <li>7 Click <b>Continue</b> to uninstall the files created when you connected the printer to your computer.</li> <li>8 Click <b>Restart</b>. When the computer restarts, remove the HP Photosmart CD and follow the setup instructions in the <i>HP Photosmart Setup Guide</i> that came with your printer.</li> </ol>

## chapter 2

Problem	Possible cause	Solution
<p>During installation, the system requirements dialog box appears, indicating that my computer monitor's display resolution does not meet the minimum system requirements.</p>	<p>Your monitor's display resolution is set below minimum system requirements. For more information, see <b>system requirements</b> on page 18.</p>	<ol style="list-style-type: none"> <li>1 Click <b>Cancel</b> in the system requirements dialog box.</li> <li>2 Right-click the Desktop and select <b>Properties</b>.</li> <li>3 Click the <b>Settings</b> tab.</li> <li>4 Move the slider to the right until the resolution is 800 x 600 or higher.</li> <li>5 Click <b>Apply</b>. A Monitor Settings message appears.</li> <li>6 Click <b>Yes</b> to accept the changes.</li> <li>7 Reinstall the printer software.</li> </ol>
<p>The software did not install correctly on my computer. OR I need to reinstall the printer software. (Continued on the following page)</p>	<p>There may be a conflict with your virus protection program. OR There may be a conflict with another software program.</p>	<p>Uninstall the printer software. To do this, insert the HP Photosmart CD into your computer, then follow the instructions on your computer screen. If the prompt to uninstall does not appear, use the instructions on page 11 to uninstall the software.</p> <p><b>Windows 98, ME, and XP</b></p> <ol style="list-style-type: none"> <li>1 Pause or disable any active virus protection programs or other startup programs during installation. <b>Important:</b> Restore original settings once the install is complete.</li> <li>2 From the Start menu, click <b>Run</b>. Type <b>MSCONFIG</b> in the run command line and click <b>OK</b>. The Configuration Utility appears.</li> <li>3 From the <b>General</b> tab, click <b>Selective Startup</b> and deselect the <b>Load Startup Group Items</b> or Load Startup Items check box.</li> <li>4 Click <b>OK</b> and restart the computer.</li> <li>5 Insert the HP Photosmart printer software CD that came with your printer.</li> <li>6 Once software installation is complete, repeat step one.</li> <li>7 When the Configuration Utility appears, click <b>Normal Startup</b>.</li> <li>8 Click <b>OK</b> and restart the computer. When the computer restarts, remove the HP Photosmart CD and follow the setup instructions in the <i>HP Photosmart Setup Guide</i> that came with your printer.</li> </ol>

Problem	Possible cause	Solution
<i>(Continued from previous page)</i>		<b>Windows 2000 Professional</b> <ol style="list-style-type: none"> <li>1 Press <b>Ctrl+Alt+Delete</b>.</li> <li>2 Click to open the <b>Task Manager</b> and select the <b>Applications</b> tab.</li> <li>3 Ctrl+click to select all programs except Windows Explorer and Systray.</li> <li>4 Click <b>End Task</b>. If a second message appears, click <b>End Now</b>. Repeat this step until all programs except Windows Explorer and Systray are closed.</li> <li>5 Install the printer software using the setup instructions in the <i>HP Photosmart Setup Guide</i> that came with your printer.</li> </ol>
<b>Windows 98 only</b> When I connect a USB cable between the printer and my computer, the Add New Hardware Wizard appears once, but the printer driver does not install completely. The Add New Hardware Wizard does not appear again.	Installation was cancelled, was not completed, or there was an error.	<ol style="list-style-type: none"> <li>1 Turn off the printer and disconnect the USB cable from the printer.</li> <li>2 Unplug the power cord from the printer.</li> <li>3 Wait about 10 seconds.</li> <li>4 Plug the power cord into the printer and turn on the printer.</li> <li>5 Uninstall the printer software. To do this, insert the HP Photosmart CD into your computer, then follow the instructions on your computer screen.</li> <li>6 When the uninstall is complete, restart your computer.</li> <li>7 Reinstall the printer software.</li> </ol>

## chapter 2

english

Problem	Possible cause	Solution
<p><b>Windows 98 only</b> When I connect a USB cable between the printer and my computer, the Add New Hardware Wizard does not appear.</p>	<p>Your USB cable may not be working or may not be connected properly.</p>	<ol style="list-style-type: none"> <li>1 Turn off the printer and disconnect the USB cable from the printer.</li> <li>2 Unplug the power cord from the printer.</li> <li>3 Wait about 10 seconds.</li> <li>4 Plug the power cord into the printer and turn on the printer.</li> <li>5 Reconnect the USB cable to the printer.</li> </ol> <p>If you are still having problems, try using another USB cable.</p> <p>OR</p> <ol style="list-style-type: none"> <li>1 Click <b>Start, Settings, Control Panel</b>.</li> <li>2 Double-click the <b>System</b> icon.</li> <li>3 Click the <b>Device Manager</b> tab.</li> <li>4 Click the (+) icon next to the Universal Serial Bus controllers option. If you see a USB host controller and a USB root hub listed, USB is probably enabled. If you do not see these devices listed, refer to your computer's documentation or contact the computer manufacturer for more information about enabling and setting up USB.</li> </ol>

# 3

## support and specifications

english

This chapter contains the following information about your printer:

- **support** on page 15
- **specifications** on page 18
- **hardware services** on page 21
- **software services** on page 22
- **hp limited warranty statement** on page 22
- **safety information** on page 24
- **environmental statements** on page 24
- **regulatory statements** on page 25
- **copyrights and trademarks** on page 26

### support

If you have a problem, follow these steps:

- 1 Go to the HP Photosmart Printer Help for detailed information about how to use your printer and troubleshoot problems. For information about viewing the HP Photosmart Printer Help, see **view the hp photosmart printer help** on page 1.
- 2 If you are unable to solve the problem using the information in the HP Photosmart Printer Help, Web and E-mail support are available in the following languages: Dutch, English, French, German, Italian, Portuguese, Spanish, and Swedish.
  - Go to **www.hp.com/support** to access online support pages or send HP an E-mail message for one-on-one answers to your questions.
  - Go to **www.hp.com** to check for software updates.
- 3 If you are unable to solve the problem using the HP Photosmart Printer Help or HP Web sites, call HP support using the number for your country or region. For a list of country and region phone numbers, see the following section.

## chapter 3

**hp support by phone**

Your printer comes with a limited time of free phone support. For more information, see **support** on page 15, or go to **www.hp.com/support** to check the duration of your free support.

After the free phone support period, help is available from HP at an additional cost. Contact your HP dealer or call the support phone number for your country or region for support options.

To receive HP support by phone, call the appropriate support phone number for your location. Standard phone company charges apply.

**Note:** Customers in Western Europe should go to **www.hp.com/support** to access phone support numbers in their country or region.

Country	Phone number
Algeria	(+212) 22404747
Bahrain	800 728
Czech Republic	42 (0)2 6130 7310
Egypt	02 532 5222
Greece	+ 30 1 60 73 603
Hungary	+ 36 (0)1 382 1111
Israel	972 (0) 9 830 4848
Morocco	(+212) 22404747
Poland	+ 48 22 865 98 00
Romania	01 315 44 42
Russia, Moscow	7 095 923 50 01
Russia, St. Petersburg	7 812 346 7997
Saudi Arabia	800 897 14440
Slovakia	+ 421-2-68208080
South Africa	086 000 1030 inside RSA + 27-11 258 9301 outside RSA
Tunisia	+ 216 1 891 222
Turkey	1 216 579 71 71
Ukraine	+ 7 (380-44) 490-3520
United Arab Emirates	971 4 883 8454



**place a call**

Call HP support while you are near the computer and printer. Be prepared to provide the following information:

- Printer model number (located on the front of the printer)
- Printer serial number (located on the bottom of the printer)
- Computer operating system
- Version of printer driver:
  - **Windows PC:** To see the printer driver version, right-click the memory card icon in the Windows taskbar and select **About**.
  - **Macintosh:** To see the printer driver version, use the Print dialog box.
- Messages displayed on the printer's LCD screen or on the computer's monitor
- Answers to the following questions:
  - Has the situation you are calling about happened before? Can you recreate the situation?
  - Did you install any new hardware or software on your computer around the time that the situation occurred?

## chapter 3

**specifications**

This section lists minimum system requirements needed to install your HP Photosmart printer on a computer, and provides selected printer specifications.

For a complete list of printer specifications, see the HP Photosmart Printer Help. For information about viewing the Printer Help, see **view the hp photosmart printer help** on page 1.

**system requirements**

Component	Minimum for Windows	Minimum for Macintosh
<b>Operating system</b>	Window <sup>®</sup> 98, 2000 Professional, ME, XP Home, and XP Professional	Mac <sup>®</sup> OS 9 v9.1 or later, OS X v10.1 through 10.2
<b>Processor</b>	Pentium <sup>®</sup> II (or equivalent) or higher	G3 or greater
<b>RAM</b>	64 MB (128 MB recommended)	Mac OS 9.1 and OS 9.2: 64 MB (128 MB recommended) Mac OS X v10.1 and OS X v10.2: 128 MB
<b>Free disk space</b>	500 MB	500 MB
<b>Video display</b>	800 x 600, 16-bit or higher	800 x 600, 16-bit or higher
<b>CD-ROM drive</b>	4x	4x
<b>Connectivity</b>	USB: Front and back ports (Windows 98, 2000 Professional, ME, XP Home, and XP Professional)	USB 2.0 Full speed (Mac OS 9 v9.1 or later, OS X v10.1 through 10.2)
<b>Browser</b>	Microsoft <sup>®</sup> Internet Explorer 5.5 or higher	Not required for installation

**printer specifications**

<b>Connectivity, maximum</b>	HP JetDirect External Print Servers: 175x, 310x, 380x
<b>Connectivity, standard</b>	USB: Front and back ports Windows 98, 2000 Professional, ME, XP Home, and XP Professional Mac OS 9 v9.1 or later, OS X v10.1 through v10.2
<b>Image file formats</b>	JPEG Baseline TIFF 24-bit RGB uncompressed interleaved TIFF 24-bit YCbCr uncompressed interleaved TIFF 24-bit RGB packbits interleaved TIFF 8-bit gray uncompressed/packbits TIFF 8-bit palette color uncompressed/packbits TIFF 1-bit uncompressed/packbits/1D Huffman
<b>In tray capacity</b>	25 sheets of photo paper 100 sheets of plain paper 20–40 cards (depending on thickness) 15 envelopes 20 sheets of banner paper 20 sheets of labels 25 transparencies 25 sheets of iron-on transfers
<b>Media sizes</b>	Photo paper (4 x 6 inches, 10 x 15 cm) Photo paper with tab (4 x 6 inches with 0.5 inch tab, 10 x 15 cm with 1.25 cm tab) Index cards (4 x 6 inches, 10 x 15 cm) Hagaki cards (3.94 x 5.83 inches, 100 x 148 mm) A6 cards (4.13 x 5.85 inches, 105 x 148.5 mm) L-size cards (3.5 x 5 inches, 90 x 127 mm) L-size cards with tab (3.5 x 5 inches with 0.5 inch tab, 90 x 127 mm with 12.5 mm tab) Banner paper (8.5 x 234 inch, 216 x 5969 mm)

**Media sizes, standard****Photo paper**

3 x 3 inches to 8.5 x 14 inches (76 x 76 mm to 216 x 356 mm)

**Plain paper**

Letter, 8.5 x 11 inches (216 x 280 mm)

Legal, 8.5 x 14 inches (216 x 356 mm)

Executive, 7.5 x 10 inches (190 x 254 mm)

A4, 8.27 x 11.7 inches (210 x 297 mm)

A5, 5.8 x 8.3 inches (148 x 210 mm)

B5, 6.9 x 9.8 inches (176 x 250 mm)

**Cards**

Hagaki, 3.94 x 5.83 inches (100 x 148 mm)

L-size, 3.5 x 5 inches (90 x 127 mm)

L-size with tab, 3.5 x 5 with 0.5 inch tab (90 x 127 mm with 12.5 mm tab)

Index, 3 x 5 inches, 4 x 6 inches, and 5 x 8 inches (76 x 127 mm, 10 x 15 cm, and 127 x 203 mm)

A6, 4.13 x 5.85 inches (105 x 148.5 mm)

**Envelopes**

No. 9, 3.875 x 8.875 inches (98.4 x 225.4 mm)

No. 10, 4.125 x 9.5 inches (105 x 240 mm)

A2 Invitation, 4.375 x 5.75 inches (110 x 146 mm)

DL, 4.33 x 8.66 inches (110 x 220 mm)

C6, 4.5 x 6.4 inches (114 x 162 mm)

**Custom**

3 x 5 inches to 8.5 x 14 inches (76 x 127 mm to 216 x 356 mm)

**Transparencies**

Letter, 8.5 x 11 inches (216 x 280 mm)

A4, 8.27 x 11.7 inches (210 x 297 mm)

Label sheets

Letter, 8.5 x 11 inches (216 x 280 mm)

A4, 8.27 x 11.7 inches (210 x 297 mm)

**Banner paper**

(8.5 x 234 inch, 216 x 5969 mm)

**Media specifications, maximum**

Recommended maximum length: 14 inches (356 mm)

Recommended maximum width: 8.5 inches (216 mm)

Recommended maximum thickness: 11.5 mil (292  $\mu$ m) per sheet

**Media types**

Paper (plain, inkjet, photo, and banner)

Envelopes

Transparencies

Labels

Cards (index, greeting, Hagaki, A6, L-size)

Iron-on transfers

**Memory cards**

CompactFlash™ Type I and II

IBM® Microdrive

MultiMediaCard™

Secure Digital™

SmartMedia™

Sony® Memory Sticks

xD-Picture Card™

**Memory card-supported file formats**

Printing: Supported images and video file formats

Saving: All file formats

<b>Out tray capacity</b>	20 sheets of photo paper 50 sheets of plain paper 10 cards 10 envelopes 20 transparencies 20 sheets of banner paper 25 sheets of labels 25 sheets of iron-on transfers
<b>Paper trays</b>	One letter-size tray One 4 x 6 inch (10 x 15 cm) photo tray
<b>Photo tray capacity</b>	15 sheets of photo paper
<b>Print cartridges</b>	1 black HP #56 (C6656A) 1 tri-color HP #57 (C6657A) 1 color photo HP #58 (C6658A) 1 gray photo HP #59 (C9359A)
<b>USB support</b>	USB: Front and back ports Windows 98, 2000 Professional, ME, XP Home, and XP Professional Mac OS 9 v9.1 or later, OS X v10.1 through 10.2 HP recommends that the USB cable be less than 10 feet (3 meters) in length
<b>Video file formats</b>	Motion JPEG AVI Motion JPEG Quicktime MPEG-1

## hardware services

If you are experiencing printer hardware failure, contact the store where you purchased your printer. Or, go to [www.hp.com/cpsio-support/guide/psd/repairhelp.html](http://www.hp.com/cpsio-support/guide/psd/repairhelp.html) for the nearest sales and service office. Service is free of charge during the limited warranty period. Beyond the warranty period, a service fee will be charged. For more information about the HP limited warranty, see **hp limited warranty statement** on page 22.

## chapter 3

**software services**

HP periodically provides updates to the printer software. You can download these updates by going to **www.hp.com/support** or by using the software that came with your printer. Updates of the HP Photo & Imaging software are available on CD only.

To receive printer software updates using the software that came with your printer, follow these steps:

- **Windows PC** — From the **Start** menu, select **Programs** (in Windows XP, select **All Programs**); **Hewlett-Packard**; then **HP Software Update**.
- **Macintosh** — From the HP Inkjet Utility, select **Support** from the pop-up menu, then click **Support**.

**hp limited warranty statement**

<b>Country/Region</b>	Europe, Middle East, Africa
<b>Software warranty</b>	90 days
<b>Printer warranty</b>	1 year

## A. Extent of Limited Warranty

- 1 Hewlett-Packard (HP) warrants to the end-user customer that the HP products specified above will be free from defects in material and workmanship for the duration specified above, which duration begins on the date of purchase by the customer.
- 2 For software products, HP's limited warranty applies only to a failure to execute programming instructions. HP does not warrant that the operation of any product will be uninterrupted or error free.
- 3 HP's limited warranty covers only those defects which arise as a result of normal use of the product, and does not cover any other problems, including those which arise as a result of:
  - Improper maintenance or modification;
  - Software, media, parts, or supplies not provided or supported by HP; or
  - Operation outside the product's specifications.
- 4 For HP printer products, the use of a non-HP ink cartridge or a refilled ink cartridge does not affect either the warranty to the customer or any HP support contract with the customer. However, if printer failure or damage is attributable to the use of a non-HP or refilled ink cartridge, HP will charge its standard time and materials charges to service the printer for the particular failure or damage.
- 5 If HP receives, during the applicable warranty period, notice of a defect in any product which is covered by HP's warranty, HP shall either repair or replace the defective product, at HP's option.
- 6 If HP is unable to repair or replace, as applicable, a defective product which is covered by HP's warranty, HP shall, within a reasonable time after being notified of the defect, refund the purchase price for the product.
- 7 HP shall have no obligation to repair, replace, or refund until the customer returns the defective product to HP.
- 8 Any replacement product may be either new or like-new, provided that it has functionality at least equal to that of the product being replaced.
- 9 HP products may contain remanufactured parts, components, or materials equivalent to new in performance.
- 10 HP's limited warranty is valid in any country or region where the covered HP product is distributed by HP. Contracts for additional warranty services, such as on-site service, are available from any authorized HP service facility in countries or regions where the product is distributed by HP or by an authorized importer. For phone support in Europe please check for the details and conditions of phone support in your country or region by consulting the following Web site: [www.hp.com/support](http://www.hp.com/support). Alternatively, you can ask your dealer or call HP at the phone number indicated in this booklet. As part of our constant efforts to improve our phone support service, we advise you to check our Web site on a regular basis for new information regarding service features and delivery.

## B. Limitations of Warranty

TO THE EXTENT ALLOWED BY LOCAL LAW, NEITHER HP NOR ITS THIRD PARTY SUPPLIERS MAKE ANY OTHER WARRANTY OR CONDITION OF ANY KIND, WHETHER EXPRESS OR IMPLIED, WITH RESPECT TO THE HP PRODUCTS, AND SPECIFICALLY DISCLAIM THE IMPLIED WARRANTIES OR CONDITIONS OF MERCHANTABILITY, SATISFACTORY QUALITY, AND FITNESS FOR A PARTICULAR PURPOSE.

## C. Limitations of Liability

- 1 To the extent allowed by local law, the remedies provided in this Warranty Statement are the customer's sole and exclusive remedies.
- 2 TO THE EXTENT ALLOWED BY LOCAL LAW, EXCEPT FOR THE OBLIGATIONS SPECIFICALLY SET FORTH IN THIS WARRANTY STATEMENT, IN NO EVENT SHALL HP OR ITS THIRD PARTY SUPPLIERS BE LIABLE FOR DIRECT, INDIRECT, SPECIAL, INCIDENTAL, OR CONSEQUENTIAL DAMAGES, WHETHER BASED ON CONTRACT, TORT, OR ANY OTHER LEGAL THEORY AND WHETHER ADVISED OF THE POSSIBILITY OF SUCH DAMAGES.

## D. Local Law

- 1 This Warranty Statement gives the customer specific legal rights. The customer may also have other rights which vary from state to state in the United States, from province to province in Canada, and from country to country or region to region elsewhere in the world.
- 2 To the extent that this Warranty Statement is inconsistent with local law, this Warranty Statement shall be deemed modified to be consistent with such local law. Under such local law, certain disclaimers and limitations of this Warranty Statement may not apply to the customer. For example, some states in the United States, as well as some governments outside the United States (including provinces in Canada), may:
  - Preclude the disclaimers and limitations in this Warranty Statement from limiting the statutory rights of a consumer (e.g. the United Kingdom);
  - Otherwise restrict the ability of a manufacturer to enforce such disclaimers or limitations; or
  - Grant the customer additional warranty rights, specify the duration of implied warranties which the manufacturer cannot disclaim, or not allow limitations on the duration of implied warranties.
- 3 FOR CONSUMER TRANSACTIONS IN AUSTRALIA AND NEW ZEALAND, THE TERMS IN THIS WARRANTY STATEMENT, EXCEPT TO THE EXTENT LAWFULLY PERMITTED, DO NOT EXCLUDE, RESTRICT, OR MODIFY, AND ARE IN ADDITION TO, THE MANDATORY STATUTORY RIGHTS APPLICABLE TO THE SALE OF THE HP PRODUCTS TO SUCH CUSTOMERS.

Here are the names and addresses of the HP entities which grant HP's Limited Warranty (manufacturer's warranty) in your country.

**You may also have statutory legal rights against the seller on the basis of the purchase agreement in addition to the manufacturer's warranty, which are not restricted by this manufacturer's warranty.**

Country/Region	Address
United Kingdom	Hewlett-Packard Ltd. Cain Rd. Bracknell GB-Berks RG 12 1HN
Ireland	Hewlett-Packard Ireland Ltd. 30 Herbert St. IRL-Dublin 2

## chapter 3

## safety information

Always follow basic safety precautions when using this product to reduce risk of injury from fire or electric shock.

**Warning!** To prevent fire or shock hazard, do not expose this product to rain or any type of moisture.

**Warning!** Potential shock hazard.

- Read and understand all instructions in the *HP Photosmart Setup Guide*.
- Use only a grounded electrical outlet when connecting the unit to a power source. If you do not know whether the outlet is grounded, check with a qualified electrician.
- Observe all warnings and instructions marked on the product.
- Unplug this product from wall outlets before cleaning.
- Do not install or use this product near water or when you are wet.
- Install the product securely on a stable surface.
- Install the product in a protected location where no one can step on or trip over the power cord, and where the power cord will not be damaged.
- If the product does not operate normally, see the troubleshooting information in the HP Photosmart Printer Help.
- There are no operator serviceable parts inside. Refer servicing to qualified service personnel.
- Use in a well-ventilated area.

## environmental statements

Hewlett-Packard Company is committed to providing quality products in an environmentally sound manner.

### protecting the environment

This printer has been designed with several attributes to minimize impact on our environment. For more information, go to HP's Commitment to the Environment Web site at [www.hp.com/hpinfo/globalcitizenship/environment/index.html](http://www.hp.com/hpinfo/globalcitizenship/environment/index.html).

### ozone production

This product generates no appreciable ozone gas (O<sub>3</sub>).



## energy consumption

Energy usage drops significantly while in ENERGY STAR® mode, which saves natural resources, and saves money without affecting the high performance of this product. This product qualifies for ENERGY STAR, which is a voluntary program established to encourage the development of energy-efficient office products.



ENERGY STAR is a U.S. registered mark of the U.S. EPA. As an ENERGY STAR partner, Hewlett-Packard Company has determined that this product meets the ENERGY STAR guidelines for energy efficiency. For more information, go to [www.energystar.gov](http://www.energystar.gov).

## paper use

This product is suited for the use of recycled paper according to DIN 19309.

## plastics

Plastic parts over 0.88 ounces (24 grams) are marked according to international standards that enhance the ability to identify plastics for recycling purposes at the end of the printer's life.

## material safety data sheets

Material Safety Data Sheets (MSDS) can be obtained from the HP Web site at [www.hp.com/go/msds](http://www.hp.com/go/msds). Customers without Internet access should contact HP support.

## recycling program

HP offers an increasing number of product return and recycling programs in many countries and partners with some of the largest electronic recycling centers throughout the world. HP conserves resources by reselling some of its most popular products.

This HP product contains lead in the solder, which may require special handling at the end of its life.

## regulatory statements

For regulatory identification purposes, your product is assigned a Regulatory Model Number. The Regulatory Model Number for your product is SDGOA-0378. This regulatory number should not be confused with the marketing name (hp photosmart 7900 series printer) or product number (Q3020A).

Australia EMC statement



This equipment complies with Australian EMC requirements.

### Canada EMC statement

Le présent appareil numérique n'émet pas de bruit radioélectrique dépassant les limites applicables aux appareils numériques de la classe B prescrites dans le Règlement sur le brouillage radioélectrique édicté par le ministère des Communications du Canada.

This digital apparatus does not exceed the Class B limits for radio noise emissions from digital apparatus set out in the Radio Interface Regulations of the Canadian Department of Communications.

## copyrights and trademarks

© Copyright 2003 Hewlett-Packard Company

All rights are reserved. No part of this document may be photocopied, reproduced, or translated to another language without the prior written consent of Hewlett-Packard Company.

The information contained in this document is subject to change without notice. Hewlett-Packard shall not be liable for errors contained herein or for consequential damages in connection with the furnishing, performance, or use of this material.

HP, the HP logo, and Photosmart are property of Hewlett-Packard Company.

IBM is a registered trademark of International Business Machines Corporation.

The Secure Digital logo is a trademark of the SD Association.

Microsoft and Windows are registered trademarks of Microsoft Corporation.

CompactFlash, CF, and the CF logo are trademarks of the CompactFlash Association (CFA).

Sony Memory Stick is a registered trademark of Sony Corporation.

MultiMediaCard is a trademark of Infineon Technologies AG of Germany, and is licensed to the MMCA (MultiMediaCard Association).

SmartMedia is a trademark of Toshiba Corporation.

xD-Picture Card is a trademark of Fuji Photo Film Co., Ltd., Toshiba Corporation, and Olympus Optical Co., Ltd.

Mac, the Mac logo, and Macintosh are registered trademarks of Apple Computer, Inc.

Pentium is a registered trademark of Intel Corporation.

Other brands and their products are trademarks or registered trademarks of their respective holders.

The embedded software in your printer is based in part on the work of the Independent JPEG Group.

The copyrights to certain photos within this document are retained by the original owners.