



Hardware Guide

HP Compaq Notebook Series

Document Part Number: 333955-001

August 2003

This guide explains how to identify and use notebook hardware features, including connectors for external devices. It also includes power and environmental specifications, which may be helpful when traveling with the notebook.

© 2003 Hewlett-Packard Development Company, L.P.

Microsoft and Windows are trademarks of Microsoft Corporation in the U.S. and/or other countries. Intel and SpeedStep are trademarks of Intel Corporation in the US and/or other countries. SD Logo is a trademark.

The information contained herein is subject to change without notice. The only warranties for HP products and services are set forth in the express warranty statements accompanying such products and services. Nothing herein should be construed as constituting an additional warranty. HP shall not be liable for technical or editorial errors or omissions contained herein.

Hardware Guide
HP Compaq Notebook Series
First Edition August 2003
Reference Number: nc8000/nw8000
Document Part Number: 333955-001

Contents

1 Notebook Features

Pointing Device Components	1-1
Top Components	1-2
Lights	1-5
Left Side Components	1-7
Right Side Components	1-9
Front View Components	1-11
Rear Panel Components	1-12
Bottom Components	1-14
Labels	1-16

2 Pointing Devices and Keyboard

Using a Pointing Device	2-1
Using the Pointing Stick	2-3
Using the TouchPad	2-3
Using an External Mouse	2-4
Setting Pointing Device Preferences	2-4
Using Hotkeys and Shortcut Keys	2-5
Identifying fn and Function Keys	2-5
Hotkey and Shortcut Key Quick Reference	2-6
Initiating Standby (fn+f3)	2-7
Switching Displays (fn+f4)	2-7
Viewing Battery Charge Information (fn+f8)	2-8
Decreasing Screen Brightness (fn+f9)	2-8

- Increasing Screen Brightness (fn+f10) 2–8
- Displaying System Information (fn+esc) 2–9
- Using Hotkeys and Shortcut Keys with External
Keyboards 2–9
- Using Quick Launch Buttons 2–10
- Using Keypads 2–12
 - Using the Embedded Numeric Keypad 2–12
 - Using an External Keypad 2–14

3 Battery Packs

- Running the Notebook on Battery Power 3–1
- Identifying Battery Packs 3–2
- Inserting or Removing a Primary Battery Pack 3–3
- Inserting or Removing a MultiBay Battery Pack 3–5
- Charging a Battery Pack 3–7
 - Charging a New Battery Pack 3–8
 - Charging an In-Use Battery Pack 3–8
 - Charging a Primary and MultiBay Battery Pack 3–8
- Monitoring the Charge in a Battery Pack 3–9
 - Obtaining Accurate Charge Information 3–9
 - Displaying Charge Information on the Screen 3–9
 - Displaying Charge Information on a MultiBay
Battery Pack 3–11
- Managing Low-Battery Conditions 3–12
 - Identifying Low-Battery Conditions 3–12
 - Resolving Low-Battery Conditions 3–13
- Calibrating a Battery Pack 3–14
 - When to Calibrate 3–14
- Battery Conservation Procedures and Settings 3–18
 - Conserving Power as You Work 3–18
 - Selecting Power Conservation Settings 3–19
- Storing a Battery Pack 3–20
- Disposing of a Used Battery Pack 3–21
- Finding More Power Information 3–21

4 Drives

Caring for Drives	4-1
Adding a Drive to the System	4-3
Hard Drive	4-4
Identifying the Hard Drive Activity Light	4-4
Replacing the Primary Hard Drive	4-5
Optical Drive	4-9
Inserting an Optical Disc	4-9
Removing an Optical Disc (with Power)	4-10
Removing an Optical Disc (No Power)	4-11
Displaying Optical Disc Contents	4-12
Locating Optical Disc Software	4-12
Initiating Standby or Hibernation	4-12
MultiBay Drive	4-13
Identifying the MultiBay Activity Light	4-13
Using a MultiBay Hard Drive Adapter	4-14
Inserting a Drive into the MultiBay	4-17
Removing a Drive from the MultiBay	4-18

5 Audio and Video

Using Audio Features	5-1
Using the Audio Line-Out Jack	5-2
Using the Microphone Jack	5-3
Adjusting Volume	5-3
Using Video Features	5-4
Using the S-Video Out Jack	5-5

6 Communication Devices

Connecting a Modem Cable	6-1
Using the RJ-11 Cable	6-2
Using a Country-Specific Adapter Cable	6-3

Connecting a Network Cable	6-4
Linking to an Infrared Device	6-5
Setting Up an Infrared Transmission	6-6
Using Standby with Infrared	6-6

7 External Devices

Connecting a Monitor or Projector	7-2
Using a USB Device	7-2
Enabling USB Legacy Support	7-3
Connecting an Optional External MultiBay	7-4
Connecting an Optional Cable Lock	7-5

8 Hardware Upgrades

Using PC Cards	8-1
Inserting a PC Card	8-2
Removing a PC Card	8-3
Using SD Cards	8-4
Inserting an SD Card	8-4
Removing an SD Card	8-5
Adding and Upgrading Memory Modules	8-6
Effects of Increasing Memory	8-12

9 Specifications

Notebook Dimensions	9-1
Operating Environment	9-2
Rated Input Power	9-2
Modem Specifications	9-3

Index

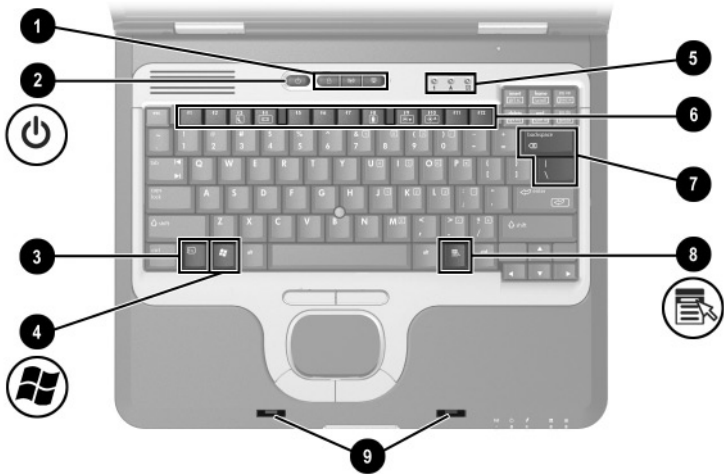
Notebook Features

Pointing Device Components





Component	Description
① Pointing stick	Moves the pointer and selects or activates items on the screen.
② Left and right pointing stick buttons	Function like the left and right buttons on an external mouse.
③ TouchPad	Moves the pointer and selects or activates items on the screen. Can be set to perform other mouse functions, such as scrolling and double-clicking.
④ Left and right TouchPad buttons	Function like the left and right buttons on an external mouse.

Top Components



Component	Description
1 Quick Launch buttons (3)	Enable you to access common functions with a single keystroke. Refer to “Using Quick Launch Buttons,” in Chapter 2 of this guide.
2 Power button	When the notebook is: <ul style="list-style-type: none"> ■ Off, press and release to turn on the notebook. ■ In Standby, press and release to exit Standby. ■ In Hibernation, press and release to exit Hibernation. If the system has stopped responding and Windows shutdown procedures cannot be used, press and hold for 5 seconds to turn off the notebook.

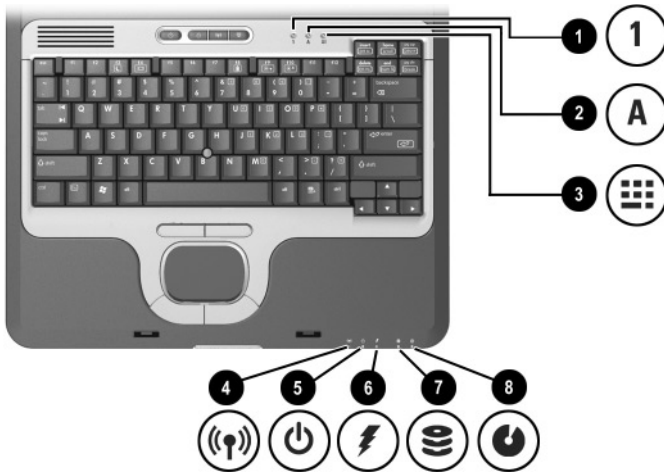
(Continued)


Component	Description
 This table describes default settings. For information about changing the functions of the power button and using Standby and Hibernation, refer on the <i>Documentation Library</i> CD to the <i>Software Guide</i> , “Power” chapter.	
3 fn key	Executes frequently used system functions when pressed in combination with a function key or the esc key.
4 Microsoft logo key	Displays the Windows Start menu.
5 Keyboard lights	Indicate when certain keyboard settings have been turned on. Refer in this chapter to the “ Lights ” section.
6 Function keys	Execute indicated system functions when pressed in combination with the fn key. Refer to “ Using Hotkeys and Shortcut Keys ,” in Chapter 2 of this guide.
7 MiniPCI compartment	Holds an optional wireless LAN (WLAN) or ISDN device.  The FCC does not allow unauthorized MiniPCI devices to be used in this notebook. Installing an unsupported MiniPCI device can prevent your notebook from operating properly and may result in a warning message. To resume proper notebook operation, remove the unauthorized device. Contact your HP Customer Care Center if a warning message about your MiniPCI device displays in error.
8 Applications key	Displays shortcut menu for items beneath the pointer.

(Continued)

Component	Description
⑨ Display latch recess	Secures the display when the notebook is closed.
Memory compartment (not shown; located under the keyboard)	Contains one primary memory module slot (populated) and one expansion slot.

Lights

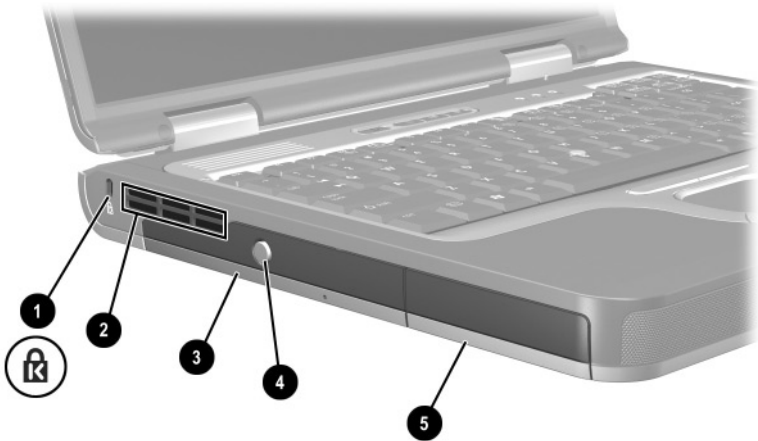


Component	Description
① Num lock	On: Num lock is on or the embedded numeric keypad is enabled.
② Caps lock	On: Caps lock is on.
③ Scroll lock	On: Scroll lock is on.
④ Wireless On/Off	On: An integrated wireless device has been enabled.
⑤ Power/Standby	On: Power is turned on. Blinking: Notebook is in Standby.  The power/standby light also blinks when a battery pack that is the only available power source reaches a critical low-battery condition. The light turns off when the system enters Hibernation or shuts down.

(Continued)

Component	Description
⑥ Battery	On: A battery pack is charging. Blinking: A battery pack that is the only available power source has reached a low-battery condition. When the battery reaches a critical low-battery condition, the battery light begins blinking more quickly.
⑦ Drive	On: One of the following integrated drives is being accessed: <ul style="list-style-type: none">■ Hard drive■ Optical drive
⑧ MultiBay	On: A drive in the MultiBay is being accessed.

Left Side Components

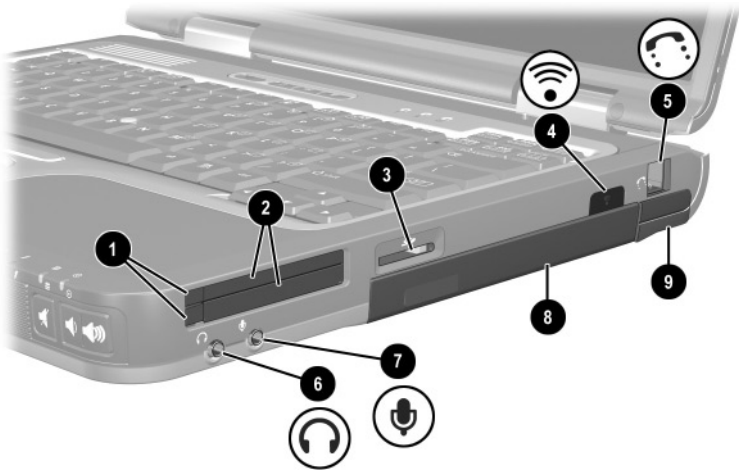


Component	Description
1 Security cable slot	Attaches an optional security cable to the notebook. △ The purpose of security solutions is to act as a deterrent. These solutions do not prevent the product from being mishandled or stolen.
2 Exhaust vent	Enables airflow to cool internal components. △ To prevent overheating, do not obstruct vents. Using the notebook on a soft surface, such as a pillow, blanket, rug, or thick clothing may block airflow.
3 Optical disc drive	Reads and records CD and DVD media.

(Continued)


Component	Description
④ Optical disc drive eject button	Opens the optical disc drive when pressed.
⑤ Battery bay	Holds the primary battery pack. Battery pack ships outside the notebook.

Right Side Components

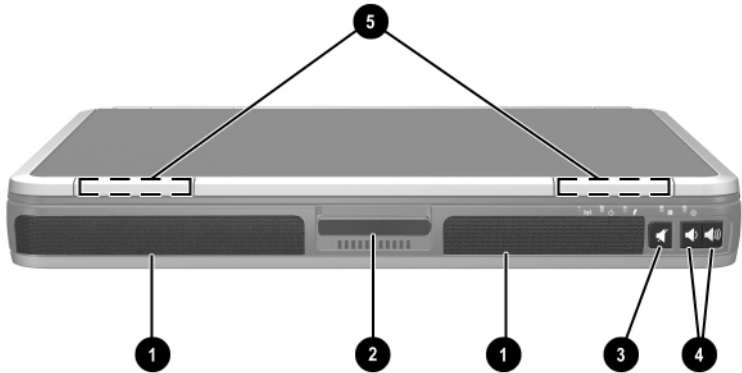


Component	Description
❶ PC Card eject buttons (2)	Eject an optional PC Card or Smart Card (if a Smart Card Reader is installed) from the top or bottom PC Card slot.
❷ PC Card slots (2)	Support optional Type I, Type II, or Type III 32-bit (CardBus) or 16-bit PC Cards. ✎ In select notebooks, one PC Card slot may be replaced with a factory-installed Smart Card Reader.
❸ Secure Digital (SD) slot	Accepts SD memory card.
❹ Infrared port	Provides wireless communication between the notebook and an optional IrDA-compliant device.

(Continued)

Component	Description
⑤ RJ-11 jack	Connects a modem cable.
⑥ Audio line-out jack	Connects optional powered stereo speakers, headphones, headset, or television audio.
⑦ Microphone jack	Connects an optional monaural microphone.
⑧ MultiBay	Supports an optional MultiBay device, such as a drive or battery pack.
⑨ Bluetooth compartment	Holds a Bluetooth device.  Bluetooth is not available in all countries.

Front View Components

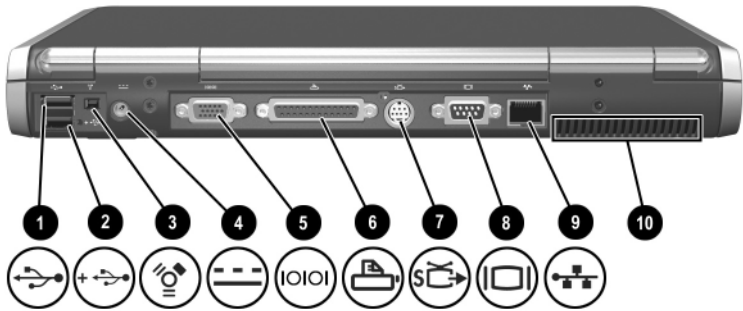


Component	Description
❶ Speakers (2)	Produce system sound.
❷ Display release latch	Opens the notebook.
❸ Mute button	Mutes the system volume. The button lights up when volume is muted.
❹ Volume control buttons	Increase and decrease system volume. Press the volume up button (on right) to increase sound. Press the volume down button (on left) to decrease sound.
❺ Wireless antennae (2)	Transmit wireless data.




Exposure to Radio Frequency Radiation. The radiated output power of this device is below the FCC radio frequency exposure limits. Nevertheless, the device should be used in such a manner that the potential for human contact during normal operation is minimized. To avoid the possibility of exceeding the FCC radio frequency exposure limits, human proximity to the antenna should not be less than 20 cm (8 inches) during normal operation, including when the notebook display is closed.

Rear Panel Components

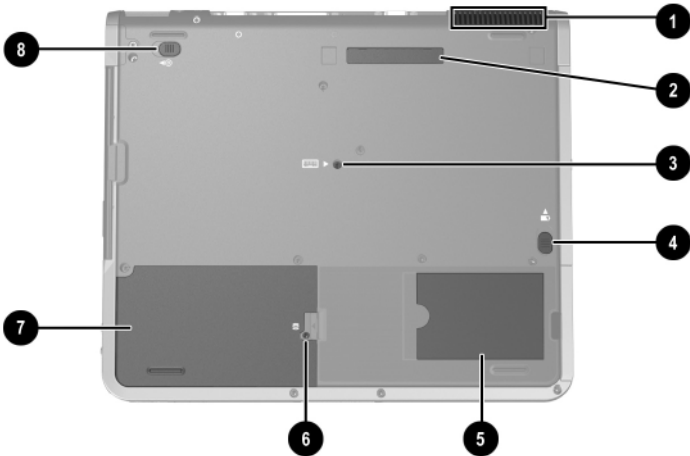


Component	Description
① USB connector	Connects USB 1.1- and 2.0-compliant devices to the notebook using a standard USB cable.
② Self-powered USB connector	Connects USB 1.1- and 2.0-compliant devices to the notebook using a standard USB cable. Also connects an optional External MultiBay to the notebook using the External MultiBay-powered USB cable.
③ 1394 connector	Connects a device that requires high bandwidth, such as a digital camera or other video or audio device.
④ Power connector	Connects an AC adapter or an optional Automobile Power Adapter/Charger or Aircraft Power Adapter.
⑤ Serial connector	Connects an optional serial device.
⑥ Parallel connector	Connects an optional parallel device, such as an external diskette drive or a printer.

(Continued)

Component	Description
7 S-Video out jack	Connects an optional S-Video device, such as a television, VCR, camcorder, overhead projector, or video capture card.
8 External monitor connector	Connects an optional external monitor or overhead projector.
9 RJ-45 jack	Connects a network cable.
10 Intake vent	<p>Enables airflow to cool internal components.</p> <p> To prevent overheating, do not obstruct vents. Using the notebook on a soft surface, such as a pillow, blanket, rug, or thick clothing may block airflow.</p>

Bottom Components

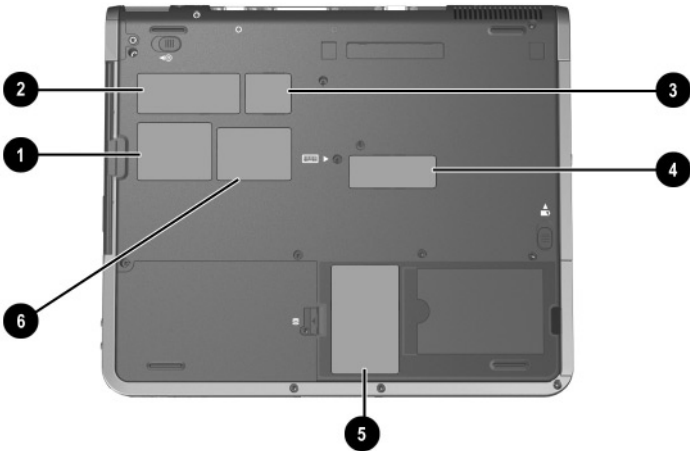




Component	Description
1 Intake Vent	Provides airflow to cool internal components. ⚠ To prevent overheating, do not obstruct vents. Using the notebook on a soft surface, such as a pillow, blanket, rug, or thick clothing may block airflow.
2 Docking connector	Connects the notebook to an optional Port Replicator.
3 Keyboard access screw	Allow you to remove the keyboard in order to access system memory.
4 Battery bay release latch	Releases the primary battery pack from the battery bay.
5 Business card holder	Holds a standard size business card.

(Continued)


Component	Description
⑥ Hard drive cover latch	Releases the cover on the hard drive bay.
⑦ Hard drive bay	Holds the primary hard drive.
⑧ MultiBay release latch	Allows removal of the MultiBay drive.

Labels



Label	Description
1 Bluetooth label	Provides regulatory information about the Bluetooth device that is available on some notebook models.  You will need this information to use the Bluetooth device while traveling internationally. Bluetooth is not available in all countries.
2 COA (Certificate of Authenticity) label	Contains your Product Key number, which will be needed to update or troubleshoot your operating system.
3 WLAN label	Provides regulatory information about the wireless LAN (WLAN) device(s) that are available on some notebook models.  You will need this information to use the WLAN device while traveling internationally.

(Continued)

Label	Description
④ Serial number label	Identifies the notebook. You may need this number if you call customer support.
⑤ System label	Provides regulatory information about the notebook.
⑥ Modem label	Lists the countries in which the modem has been approved for use.  You will need this information to use the modem while traveling internationally.

Pointing Devices and Keyboard

Using a Pointing Device

By default, the pointing stick and TouchPad components can be used interchangeably.



Component	Description
1 Pointing stick	Moves the pointer and selects or activates items on the screen.
2 Left and right pointing stick buttons	Function like the left and right buttons on an external mouse.

(Continued)

Component	Description
③ TouchPad	Moves the pointer and selects or activates items on the screen. Can be set to perform other mouse functions, such as scrolling and double-clicking.
④ Left and right TouchPad buttons	Function like the left and right buttons on an external mouse.

Using the Pointing Stick

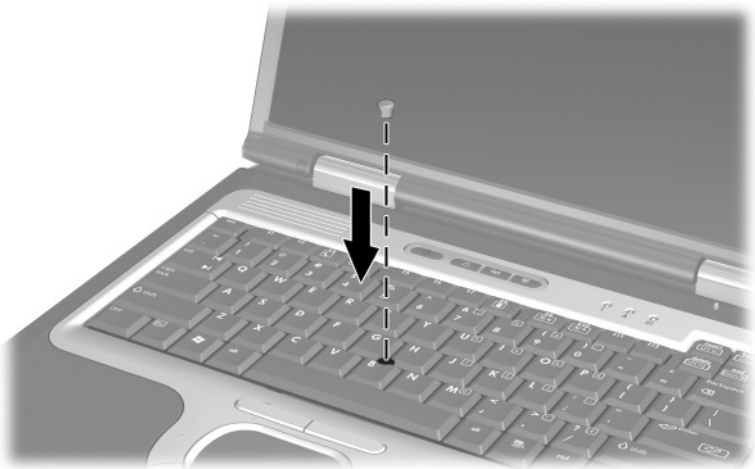
To move the pointer, press the pointing stick in the direction you want to move the pointer. Use the left and right pointing stick buttons as you would the left and right buttons on an external mouse.

To change the pointing stick cap:

1. Turn off the notebook.
2. Gently pull off the used pointing stick cap.
3. Push a replacement cap into place.



Replacement caps are not included with the notebook.



Using the TouchPad

To move the pointer, slide your finger across the TouchPad surface in the direction you want the pointer to go. Use the left and right TouchPad buttons as you would the left and right buttons on an external mouse.

Using an External Mouse

An external USB mouse can be connected to the notebook using one of the connectors on the back panel. An external PS/2 or USB mouse can be connected to the system through an optional Port Replicator.

Setting Pointing Device Preferences

Mouse Properties in Windows enables you to customize settings for pointing devices, including:

- Enabling or disabling a pointing device (enabled by default).
- TouchPad tapping, which enables you to tap the TouchPad once to select an object or twice to double-click an object (disabled by default).
- Edge motion, which enables you to continue to scroll even though your finger has reached the edge of the TouchPad (disabled by default).
- Palm Check, which helps prevent moving the pointer unintentionally if your palms contact the TouchPad as you type (disabled by default).

Other features, such as mouse speed preferences and mouse trails, are also found in the Mouse Properties window.

To access Mouse Properties:

- **In Windows 2000**, select Start > Settings > Control Panel > Mouse icon.
- **In Windows XP**, select Start > Control Panel > Printers and Other Hardware > Mouse icon.

Using Hotkeys and Shortcut Keys

Hotkeys and shortcut keys, which are preset combinations of the **fn** key and another key, execute specific system functions.

Identifying **fn** and Function Keys



Component	
❶	Function keys
❷	fn key

- A *hotkey* is a combination of the **fn** key and one of the function keys. The icons on the function keys represent the hotkey functions available on your notebook.
- A *shortcut* key is a combination of the **fn** key and a key other than a function key.

Hotkey and Shortcut Key Quick Reference

Function	Key Combination to Activate Function	Key Combination to Deactivate Function
Initiate Standby	fn+f3	Press power button
Switch between notebook display and external display	fn+f4	fn+f4
View battery information	fn+f8	fn+f8
Decrease the screen brightness	fn+f9	N/A
Increase the screen brightness	fn+f10	N/A
Display system information	fn+esc	fn+esc

Initiating Standby (fn+f3)

- When the notebook is on, press the **fn+f3** hotkey to initiate Standby. When Standby is initiated, your work is saved in random access memory (RAM), the screen is cleared, and power is conserved. While the notebook is in Standby, the Power/Standby light blinks.
- To exit Standby, briefly press the power button.

The **fn+f3** hotkey is set at the factory to initiate Standby. The function of the **fn+f3** hotkey, called the “sleep button” in Windows, can be changed. For example, the **fn+f3** hotkey can be set to initiate Hibernation instead of Standby. For more information about Standby, Hibernation, and changing the function of the **fn+f3** hotkey, refer on the *Documentation Library* CD to the *Software Guide*, “Power” chapter.

Switching Displays (fn+f4)

The **fn+f4** hotkey switches the image among display devices connected to the external monitor connector or the S-Video jack on the notebook. For example, if an external monitor is connected to the notebook, pressing the **fn+f4** hotkey multiple times will toggle the image between the notebook display, the external monitor display, and a simultaneous display on both the notebook and the monitor.

Most external monitors receive video information from the notebook using the external VGA video standard. The **fn+f4** hotkey can also toggle images among other devices receiving video information from the notebook.

The following five video transmission types, with examples of devices that use them, are supported by the **fn+f4** hotkey:

- LCD (notebook display)
- External VGA (most external monitors)

- S-Video (televisions, camcorders, VCRs, and video capture boards with S-Video-in jacks)
- Composite video (televisions, camcorders, VCRs, and video capture boards with composite-video-in jacks)
- DVI-D (external monitors that support the DVI-D interface)



Composite video and DVI-D devices can only be connected to the notebook when it is docked in an optional Advanced Port Replicator.

Viewing Battery Charge Information (fn+f8)

Press the **fn+f8** hotkey to display charge information for all installed battery packs. The display indicates which battery packs are charging and reports the amount of charge remaining in each battery pack.

Battery pack locations are indicated by number:

- Location 1 is the primary battery pack.
- Location 2 is the MultiBay battery pack.

Decreasing Screen Brightness (fn+f9)

Press **fn+f9** to decrease screen brightness. Hold down the hotkey to change the brightness level incrementally.

Increasing Screen Brightness (fn+f10)

Press **fn+f10** to increase screen brightness. Hold down the hotkey to change the brightness level incrementally.

Displaying System Information (fn+esc)

Press **fn+esc** to display information about system hardware components and software version numbers. Press **fn+esc** a second time to remove the system information from the screen.



The system BIOS date is the version number of the system ROM. The BIOS date may display in a decimal format, such as 10/19/2002 F.07.

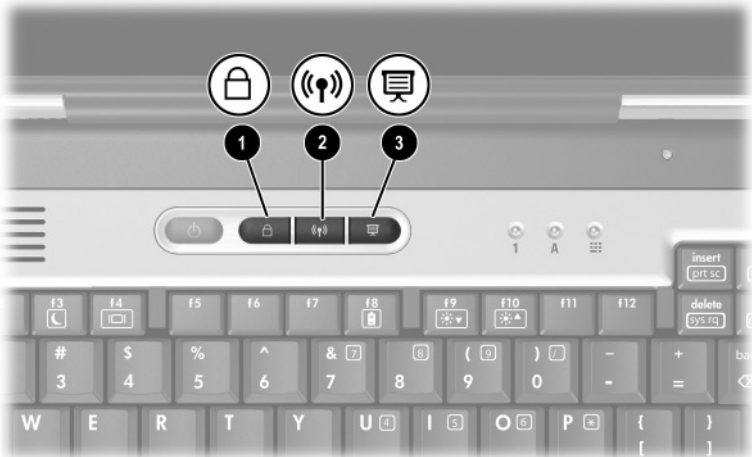
Using Hotkeys and Shortcut Keys with External Keyboards

The following table describes how certain hotkeys and shortcut keys can be used on external keyboards:

Notebook keys	External keyboard keys
fn+esc	scroll lock+scroll lock+esc
fn+f8	scroll lock+scroll lock+f8

Using Quick Launch Buttons

The 3 Quick Launch buttons enable you to execute specific system functions with a single keystroke.



Quick Launch button descriptions

Component	Description
1 QuickLock button	Disables the keyboard and pointing device and clears the display. Before you can use QuickLock, you must set a password and select preferences. For more information, refer on the <i>Documentation Library</i> CD to the <i>Software Guide</i> , “Security” chapter.

(Continued)

Component	Description
② Wireless On/Off button	Turns the wireless LAN and optional Bluetooth device on and off when these devices are enabled in the software utilities.
③ Presentation Mode button	Sets the notebook to presentation mode, which opens a user-defined application, folder, file, or Web site. The image simultaneously displays on the notebook screen and an external device connected to the external monitor connector or S-Video out jack on the rear panel or to connectors on an optional Port Replicator.

Using Keypads

The notebook has an embedded numeric keypad and supports an optional external keypad or an optional external keyboard that includes a numeric keypad.

Using the Embedded Numeric Keypad

The 15 keys of the embedded numeric keypad can be used like the keys on an external keypad. When the embedded numeric keypad is turned on, each key on the keypad performs the functions indicated by the icon in the upper right corner of the key.



Component

- ① fn key
 - ② Num lock light
 - ③ Num lock key
 - ④ Embedded numeric keypad
-

Enabling and Disabling the Embedded Numeric Keypad

Press **fn+num lk** to enable the embedded numeric keypad. The num lock light turns on. Press **fn+num lk** again to return the keys to their standard keyboard functions.



The embedded numeric keypad does not work while an external keyboard or keypad is connected to the notebook or to an optional Port Replicator.

Switching Key Functions on the Embedded Numeric Keypad

You can temporarily switch the functions of keys on the embedded numeric keypad between their standard keyboard functions and their keypad functions by using the **fn** key or the **fn+shift** key combination.

- To change the function of a keypad key to keypad functions while the keypad is off, press and hold the **fn** key while pressing the keypad key.
- To use the keypad keys temporarily as standard keys while the keypad is on:
 - Press and hold the **fn** key to type in lowercase.
 - Press and hold **fn+shift** to type in uppercase.

Using an External Keypad

Most keys on most external keypads function differently, depending on whether num lock mode is on or off. For example:

- When num lock mode is on, most keypad keys type numbers.
- When num lock mode is off, most keypad keys function like arrow, page up, or page down keys.

When num lock on an external keypad is turned on, the num lock light on the notebook turns on. When num lock on an external keypad is turned off, the num lock light on the notebook turns off.

When the external keypad is connected, the embedded numeric keypad cannot be turned on.

Enabling or Disabling Num Lock Mode As You Work

To turn num lock on or off on an external keypad as you work, press the **num lk** key on the external keypad, not on the notebook.

Enabling or Disabling Num Lock Mode at Startup

To configure the notebook to start up with a connected external keypad in num lock mode, you must set this preference in Computer Setup. For more information about using Computer Setup, refer on the *Documentation Library* CD to the *Software Guide*, “Computer Setup” chapter.

To set the notebook to start up with the external keypad enabled:

1. Turn on or restart the notebook.
2. Press **f10** while the F10 = ROM Based Setup message is displayed in the lower left corner of the screen.
 - To change the language, press **f2**.
 - For navigation instructions, press **f1**.
3. Select Advanced > Device Options, then press **enter**.

4. Select or clear the Num Lock State at Boot field:

- To enable num lock mode on an external keypad, select the field.
- To disable num lock mode on an external keypad, clear the field.

5. Press **F10**.

6. To save your preference and exit Computer Setup, select File > Save Changes and Exit, then follow the instructions on the screen.

Your preferences are set when you exit Computer Setup and take effect when the notebook restarts.

Battery Packs

Running the Notebook on Battery Power

When the notebook is connected to external AC power, the notebook runs on external power.

When a charged battery pack is in the notebook and the notebook is not connected to external power, the notebook runs on battery power.

The notebook switches between external power and battery power according to the availability of an external power source. For example, if the notebook contains a charged battery pack and is running on external power supplied through the AC adapter, the notebook will switch to battery power if the AC adapter is disconnected from the notebook.

You can leave a battery pack in the notebook or in storage, depending on how you work. Keeping a battery pack in the notebook allows the battery pack to charge whenever the notebook is connected to external power and also protects your work in case of a power outage.

On the other hand, battery packs in the notebook slowly discharge when the notebook is turned off. For this reason, the primary battery pack is not shipped inside the notebook and must be inserted before the notebook can run on battery power.

If you will not be using the notebook for 2 weeks or more, remove the battery pack and store it as described in “[Storing a Battery Pack](#)” (later in this section) to prolong its life. For more information about leaving your work, refer on the *Documentation Library CD* to the *Software Guide*, “Power” chapter.



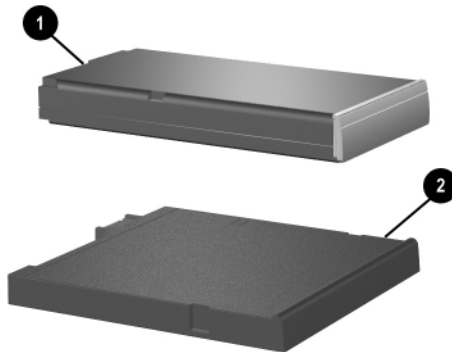
Only compatible AC adapters and battery packs should be used with the notebook. For additional information, visit the HP Web site at <http://www.hp.com>, or use the *Worldwide Telephone Numbers* booklet, included with your notebook, to contact an HP authorized dealer.

Identifying Battery Packs

The notebook supports up to 2 battery packs:

- The *primary* battery pack ❶ is an 8-cell lithium ion battery pack that can be used only in the battery bay. One primary battery pack is packed separately with the notebook.
- The *MultiBay* battery pack ❷ is an optional 8-cell prismatic lithium ion battery pack that can be used only in the MultiBay.

For information about the lights and button on the MultiBay battery pack, refer to “[Monitoring the Charge in a Battery Pack](#)” later in this chapter.



Inserting or Removing a Primary Battery Pack

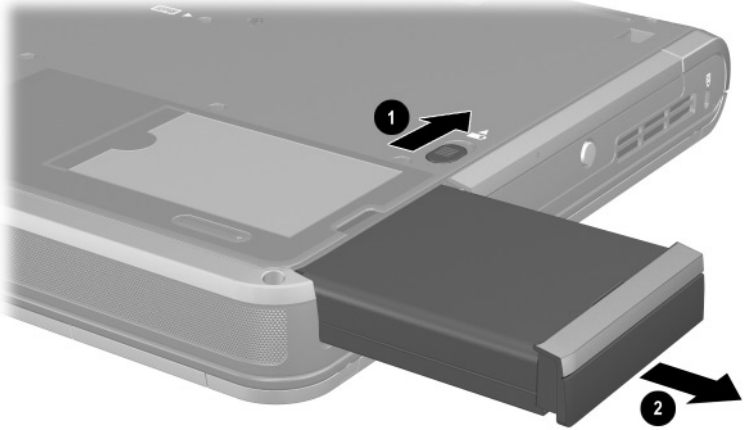


CAUTION: To prevent loss of work when removing a battery pack that is the sole power source, initiate Hibernation or turn off the notebook before removing the battery pack.


To insert a battery pack, slide the battery pack into the battery bay until it is seated.



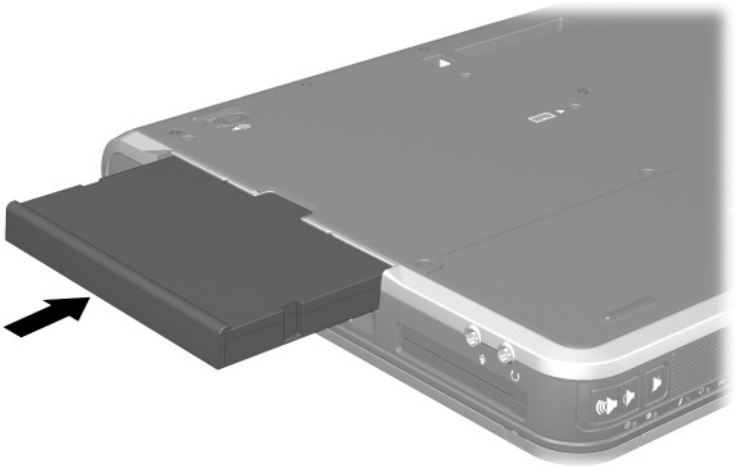
To remove a battery pack, turn the notebook upside down. Slide and hold the battery release latch **1** as you pull the battery pack **2** from the battery bay.



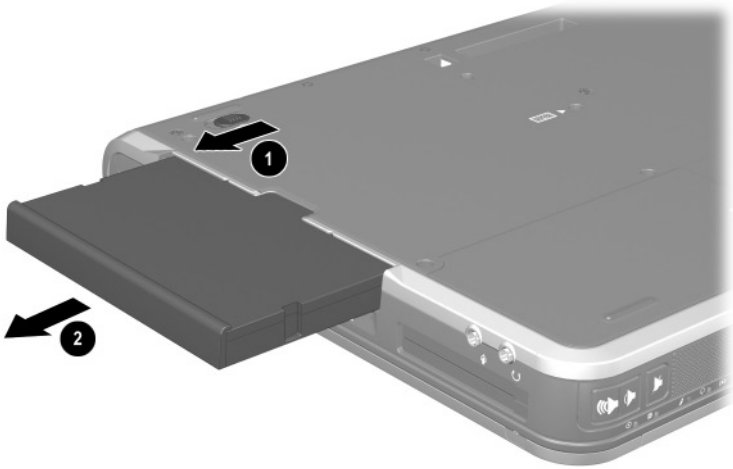
Inserting or Removing a MultiBay Battery Pack

 **CAUTION:** To prevent loss of work when removing a battery pack that is the sole power source, initiate Hibernation or turn off the notebook before removing the battery pack.

To insert a battery pack, turn the notebook upside down and slide the battery pack into the MultiBay until it is seated.



To remove a battery pack, turn the notebook upside down. Slide and hold the MultiBay release latch **1** as you pull the battery pack **2** from the MultiBay.



CAUTION: To prevent damage to the MultiBay when no device is in the MultiBay, insert the weight saver to protect the bay opening. The weight saver can be inserted or removed while the notebook is on, off, in Standby, or in Hibernation.

Charging a Battery Pack

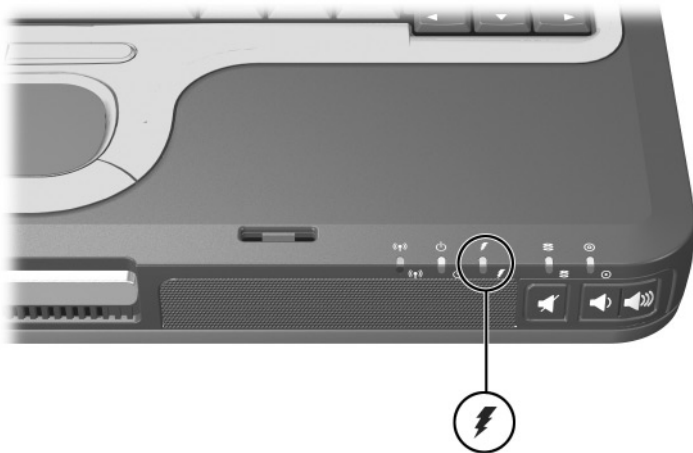
All battery packs inserted into the notebook charge whenever the notebook is connected to external power through an AC adapter or an optional Automobile Power Adapter/Charger.



An optional Aircraft Power Adapter can be used to run the notebook, but it cannot be used to charge a battery pack.

A Battery pack can charge whether the notebook is off or in use, but it will charge faster when the notebook is off. Charging may be delayed if a battery pack is new, has not been used for 2 weeks or more, or is much warmer or cooler than room temperature.

When a battery pack is charging, the battery light on the notebook is on. The light turns off when all battery packs in the system are fully charged.



Charging a New Battery Pack

Fully charge the battery pack while the notebook is connected to external power through the AC adapter.

A new battery pack that has been partially but not fully charged can run the notebook, but the battery charge indicators may be inaccurate.

Charging an In-Use Battery Pack

To prolong battery life and increase the accuracy of battery charge indicators:

- Allow a battery pack to discharge to 10 percent of a full charge through normal use before charging it.
- When you charge a battery pack, charge it fully.

Charging a Primary and MultiBay Battery Pack

If a primary battery pack is in the battery bay and a MultiBay battery pack is in the MultiBay, the primary battery pack is the first to charge and the MultiBay battery pack is the first to discharge.

Monitoring the Charge in a Battery Pack

This section explains several ways you can determine the amount of charge in your battery pack.

Obtaining Accurate Charge Information

To increase the accuracy of all battery charge displays:

- Allow a battery pack to discharge to about 10 percent of a full charge through normal use before charging it.
- When you charge a battery pack, charge it fully.
- If a battery pack has not been used for 1 month or more, calibrate the battery pack instead of simply charging it. For calibration instructions, refer to [“Calibrating a Battery Pack,”](#) later in this chapter.

Displaying Charge Information on the Screen

This section explains how to access and interpret battery charge displays.

Accessing Charge Displays

To access information about the status of any battery pack in the notebook:

- Select the Power Meter icon on the taskbar.
- Access the Power Meter tab. To access the Power Meter tab:
 - **In Windows 2000**, select Start > Settings > Control Panel > Power Options icon > Power Meter tab.
 - **In Windows XP**, select Start > Control Panel > Performance and Maintenance > Power Options icon > Power Meter tab.

Interpreting Charge Displays

Most charge displays report battery status as both a percentage and in the number of minutes of charge remaining.

- The percent indicates the amount of charge remaining in the battery pack.
- The time indicates the approximate running time remaining on the battery pack *if the battery pack continues to provide power at the current level*. For example, the time remaining will decrease when you start playing a DVD and will increase when you stop playing a DVD.

Most charge displays identify battery packs by location.

- Location 1 is the primary battery bay.
- Location 2 is the MultiBay.

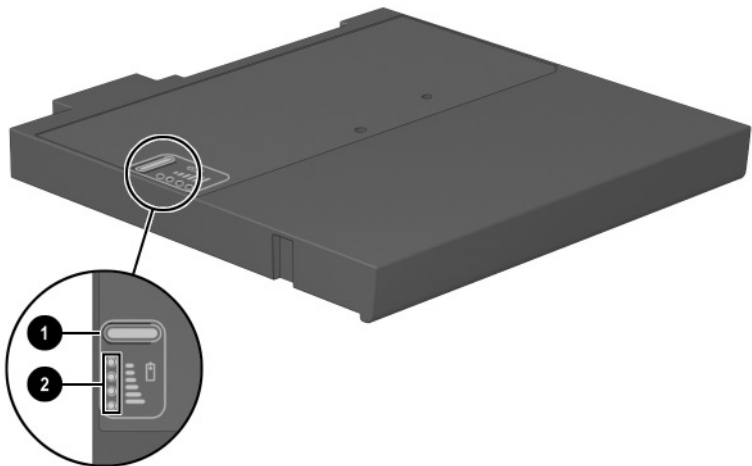
On some displays, a lightening bolt icon may be displayed beside a battery pack location. The icon indicates that the battery pack in that location is charging.

Displaying Charge Information on a MultiBay Battery Pack

You can determine the percent of a full charge remaining in a battery pack that is not inserted into the notebook by using the battery Quick Check feature. MultiBay battery packs have battery Quick Check. Primary battery packs do not.

To display the percent of a full charge remaining in a MultiBay battery pack, press the Quick Check button ❶ on the MultiBay battery pack.

The Quick Check lights ❷ indicate the amount of charge remaining in the battery pack. The greater the charge, the more lights that turn on when you press the Quick Check button. When all of the lights are on, the battery pack has a great deal of charge. When only one light is on or blinking, the battery needs to be charged.



Managing Low-Battery Conditions

Some low-battery condition alerts and system responses can be changed in the Power Options window of the operating system. The information in this section describes the alerts and system responses set at the factory. Preferences set in the Power Options window do not affect lights.

Identifying Low-Battery Conditions

This section explains how to identify low and critical low-battery conditions.

Low-Battery Condition

When a battery pack that is the sole power source for the notebook reaches a low-battery condition, the battery light blinks.

Critical Low-Battery Condition

If a low-battery condition is not resolved, the notebook enters a critical low-battery condition.

In a critical low-battery condition:

- If Hibernation is enabled and the notebook is on or in Standby, the notebook initiates Hibernation.
- If Hibernation is disabled and the notebook is on or in Standby, the notebook remains briefly in Standby, then shuts down and loses your unsaved work.

To verify that Hibernation is enabled, be sure that the Enable Hibernate Support check box on the Hibernate tab is selected. To access the tab:

- **In Windows 2000**, select Start > Settings > Control Panel. Double-click Power Options.
- **In Windows XP**, select Start > Control Panel > Performance and Maintenance > Power Options icon.

Resolving Low-Battery Conditions



CAUTION: If the notebook has reached a critical low-battery condition and has initiated Hibernation, do not restore power the power/standby light turns off.

When External Power Is Available

To resolve a low-battery condition when external power is available, do one of the following:

- Connect the AC adapter.
- Plug an optional Automobile Power Adapter/Charger into the notebook and into a vehicle cigarette lighter receptacle.
- Plug an optional Aircraft Power Adapter into the notebook and into the in-seat power supply available on some commercial aircraft. (An optional Aircraft Power Adapter can run the notebook but cannot charge a battery pack.)

When a Charged Battery Pack Is Available

To resolve a low-battery condition when a charged battery pack is available, turn off the notebook or initiate Hibernation, insert a charged battery pack, then turn on the notebook.

When No Power Source Is Available

To resolve a low-battery condition when no power source is available, initiate Hibernation, or save your work and shut down the notebook.

When the Notebook Cannot Exit Hibernation

To resolve a low-battery condition when the notebook lacks power to exit Hibernation:

1. Insert a charged battery pack or connect to external power.
2. Exit Hibernation by briefly pressing the power button.

Calibrating a Battery Pack

This section describes when and how to calibrate a battery pack.

When to Calibrate

Even if a battery pack is heavily used, it should not be necessary to calibrate it more than once a month. It is not necessary to calibrate a new battery pack before first use. Calibrate the battery pack under the following conditions:

- When battery charge displays seem inaccurate.
- When you observe a significant change in battery run time.
- When the battery pack has not been used for one month or more.

How to Calibrate

To calibrate a battery pack, you must fully charge, fully discharge, then fully recharge the battery pack.

Charging the Battery Pack

Battery packs can charge whether or not the notebook is in use, but charge faster when the notebook is off.

To charge the battery pack:

1. Insert the battery pack into the notebook.
2. Connect the notebook to an AC outlet or an optional Automobile Power Adapter/Charger. The battery light on the notebook turns on.
3. Leave the notebook connected to external power until the battery pack is fully charged. The battery light on the notebook turns off.

Discharging the Battery Pack

Before you begin a full discharge, disable Hibernation. To disable Hibernation:

1. Open the Power Options window:
 - In Windows 2000**, select Start > Settings > Control Panel > Power Options > Hibernate tab.
 - In Windows XP**, select Start > Control Panel > Performance and Maintenance > Power Options > Hibernate tab.
2. Clear the Enable Hibernation check box.

The notebook must remain on while the battery pack is being discharged. A battery pack can discharge whether the notebook is off or in use, but it will discharge faster while the notebook is in use.

- If you plan to leave the notebook unattended during the discharge, save your work before beginning the discharge procedure.
- If you use the notebook occasionally during the discharge procedure and have set energy-saving timeouts, expect the following performance from your system during the discharge process:
 - The monitor will not turn off automatically.
 - Hard drive speed will not decrease automatically while the notebook is idle.
 - System-initiated Standby will not occur.

To fully discharge a battery pack:

1. Select the power icon on the taskbar, or access the Power Schemes tab:
 - ❑ **In Windows 2000**, select Start > Settings > Control Panel > Power Management icon > Power Schemes tab.
 - ❑ **In Windows XP**, select Start > Control Panel > Performance and Maintenance > Power Options icon > Power Schemes tab.
2. Make a note of the 2 settings in the Plugged In column and the 2 settings in the Running on Batteries column so that you can reset them after the calibration.
3. Use the drop-down lists to set the 4 options (2 in each column) to Never.
4. Select the OK button.
5. Disconnect the notebook from the external power source, but do *not* turn off the notebook.
6. Run the notebook on battery power until the battery pack is fully discharged. The battery light begins to blink when the battery pack has discharged to a low-battery condition. When the battery pack is fully discharged, the battery light turns off and the notebook shuts down.

Recharging the Battery Pack

1. Connect the notebook to external power and maintain the connection until the battery pack is fully recharged. The battery light on the notebook turns off.

You can use the notebook while the battery pack is recharging but the battery pack will charge faster if the notebook is off.

2. If the notebook is off, turn it on when the battery pack is fully charged and the battery light turns off.
3. Access the Power Schemes tab:
 - ❑ **In Windows 2000**, select Start > Settings > Control Panel > Power Management icon > Power Schemes tab.
 - ❑ **In Windows XP**, select Start > Control Panel > Performance and Maintenance > Power Options icon > Power Schemes tab.
4. Refer to the settings recorded earlier. Reenter the settings that you recorded for the items in the Plugged In column and the Running on Batteries column.
5. Select the OK button.



CAUTION: After calibrating the battery pack, reenable Hibernation.

- **In Windows 2000**, select Start > Settings > Control Panel > Power Options > Hibernate tab.
 - **In Windows XP**, select Start > Settings > Control Panel > Performance and Maintenance > Power Options > Hibernate tab.
- Select the Enable Hibernation check box.
-

Battery Conservation Procedures and Settings

Using the battery conservation procedures and settings described below extends the time that a battery pack can run the notebook from a single charge.

Conserving Power as You Work

To conserve power as you use the notebook:

- Turn off wireless and local area network (LAN) connections and exit modem applications when you are not using them.
- Disconnect external devices you are not using that are not connected to an external power source.
- Stop or remove a PC Card you are not using.
- Remove a CD or DVD you are not using.
- Use the **fn+f9** and **fn+f10** hotkeys to adjust screen brightness.
- Use optional powered speakers instead of the internal speakers, or use the volume buttons to raise and lower system volume.
- Turn off a device connected to the S-Video-out jack.
- Run the notebook on external power while formatting a diskette.
- If you leave your work, initiate Standby or Hibernation or shut down the notebook.

Selecting Power Conservation Settings

To set the notebook to conserve power:

- Select a short wait for the screen saver and select a screen saver with minimal graphics and motion. To access screen saver settings:
 - ❑ **In Windows 2000**, select Start > Settings > Control Panel > Display > Screen Saver tab.
 - ❑ **In Windows XP**, select Start > Control Panel > Appearance and Themes > Display icon > Screen Saver tab.
- Select a Power Scheme with low power-use settings through the operating system. Refer on the *Documentation Library* CD to the *Software Guide*, “Power” chapter.
- Select Battery Optimized or Maximum Battery Mode in Intel SpeedStep (Windows 2000 only). Refer on the *Documentation Library* CD to the *Software Guide*, “Power” chapter.

Storing a Battery Pack

If a notebook will be unused and unplugged for more than 2 weeks, remove any battery packs from the notebook and store them separately.



CAUTION: To prevent damage to a battery pack, do not expose it to high temperatures for extended periods of time.

High temperatures accelerate the self-discharge rate of a stored battery pack. To prolong the charge of a stored battery pack, place it in a cool, dry place.

Use the following table to estimate how long you can safely store a battery pack. The storage times provided are based on a battery pack that contains 50 percent of a full charge. A fully charged battery pack can be safely stored for longer times; a battery pack containing a lower charge can be safely stored for less time.

Calibrate a battery pack that has been stored for 1 month or more before using it.

Temperature Range °F	Temperature Range °C	Safe Storage Time
115°–140°	46°–60°	Less than 1 month
79°–113°	26°–45°	No more than 3 months
32°–77°	0°–25°	1 year

Disposing of a Used Battery Pack



WARNING: There is a risk of fire and chemical burn if a battery pack is handled improperly. Do not disassemble, crush, or puncture a battery pack or short the contacts on a battery pack. Do not expose a battery pack to temperatures higher than 60° C (140° F), or dispose of a battery pack in water or fire.

When a battery pack has reached the end of its useful life, do not dispose of it in general household waste.

- In North America, you can dispose of battery packs by using the HP battery recycling program. This program provides you with a postage-paid battery pack mailer preaddressed to a reclamation facility where the metals are recycled. For more information, call the telephone number listed for your location in the *Worldwide Telephone Numbers* booklet, included with the notebook.
- In Europe, dispose of or recycle battery packs by using the public collection system or by returning them to HP, your authorized HP partners, or their agents.
- In other regions, refer to the *Worldwide Telephone Numbers* booklet, included with the notebook, to contact an HP authorized dealer, reseller, or service provider and request information about battery pack disposal.

For more information about battery pack precautions and disposal and the complete text of governmental agency notices, refer on the *Documentation Library* CD to the *Regulatory and Safety Notices* guide.

Finding More Power Information

For more information about using Standby and Hibernation, conserving power, setting power preferences, and using other power management features, refer on the *Documentation Library* CD to the *Software Guide*, “Power” chapter.

Caring for Drives

Drives are fragile notebook components that must be handled with care. The following cautions apply to all drives. Additional cautions are included with the procedures to which they apply.



CAUTION: To prevent loss or damage to the notebook or a drive:

- Handle a drive carefully. Do not drop it.
- Excessive force can damage drive connectors. When you insert a drive, use only enough force to seat the drive.
- Do not spray a drive with cleaning fluid or other liquid or expose it to temperature extremes.
- Do not remove the primary hard drive (the hard drive in the hard drive bay) except for repair or replacement.
- Electrostatic discharge can damage electronic components. To prevent electrostatic damage to the notebook or a drive:
 - Discharge yourself from static electricity before handling a drive by touching a grounded metal object; and
 - Avoid touching the connectors on a drive.
 - For more information about preventing electrostatic damage, refer to the *Regulatory and Safety Notices* guide on the *Documentation Library* CD.
- Avoid exposing a drive or a diskette to devices with magnetic fields. Security devices with magnetic fields include airport walk-through devices and security wands. The airport security devices that check carry-on luggage, usually while it is placed on a conveyor belt, use x-rays instead of magnetism and will not damage a drive or a diskette.
- If you mail a drive, ship it in packaging that protects it from shock, vibration, temperature, and high humidity. Label the package "FRAGILE."



Airport security devices that check carry-on luggage placed on a conveyor belt use X-rays instead of magnetics and do not damage drives.

Adding a Drive to the System

Removable drives enable you to store and access data.

- A standard drive can be added to the system by inserting the drive into the notebook MultiBay or optional Advanced Port Replicator.
- A diskette drive can also be added.
- USB drives can be added by connecting the drives to USB connectors on the notebook or optional Port Replicator.

For information about connecting a USB drive, refer to the [“External Devices”](#) chapter in this book.

The notebook has 2 drive bays:

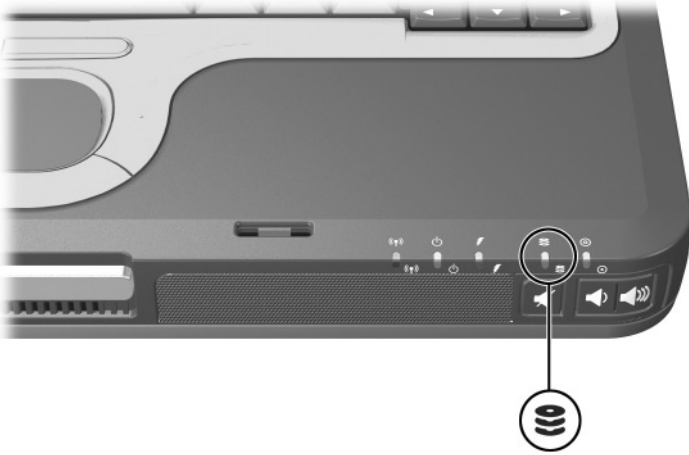
- The hard drive bay supports only a hard drive. The hard drive in the hard drive bay is the *primary* hard drive.
- The MultiBay supports any MultiBay device, including the following:
 - ❑ Hard drive (inserted into a MultiBay hard drive adapter)
 - ❑ CD or CD-RW drive
 - ❑ DVD or DVD/CD-RW combination drive
 - ❑ DVD+RW drive
 - ❑ Diskette drive
 - ❑ MultiBay battery

Hard Drive

This section discusses the primary hard drive of the notebook.

Identifying the Hard Drive Activity Light

The hard drive activity light turns on when the primary hard drive or integrated optical drive is being accessed.



Replacing the Primary Hard Drive

The hard drive in the hard drive bay is the primary hard drive. Remove it only after the notebook is properly shut down.

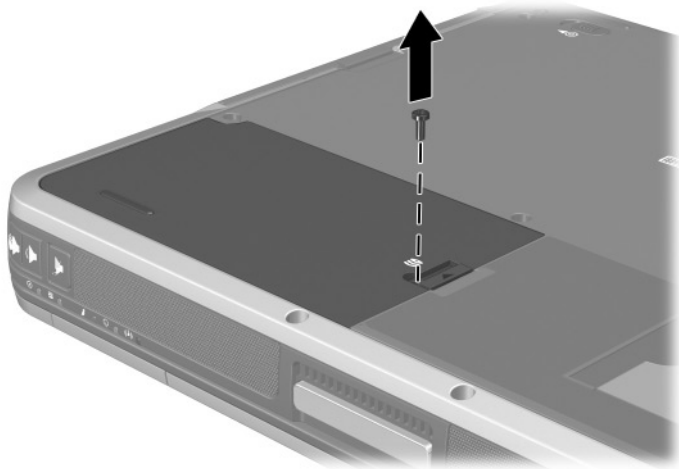


CAUTION: To prevent system lockup and loss of information:

- Shut down the notebook before removing the hard drive from the hard drive bay. Do not remove the hard drive while the notebook is on, in Standby, or in Hibernation.
- If you are not sure whether the notebook is off or in Hibernation, turn the notebook on by pressing the power button. Then shut down the notebook through the operating system.

To remove the primary hard drive:

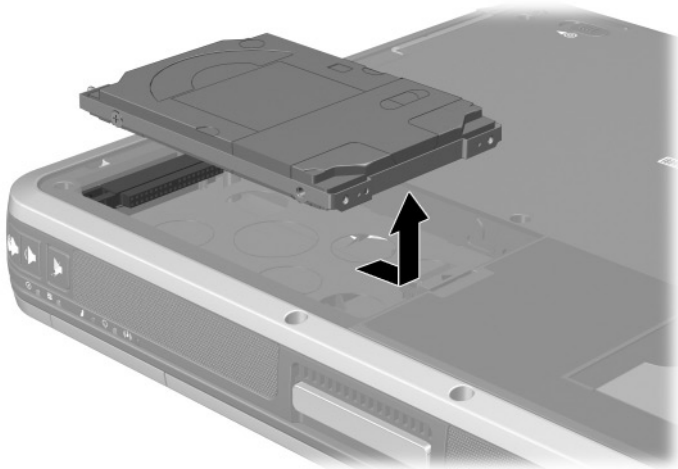
1. Save your work.
2. Shut down the notebook and close the display.
3. Turn the notebook upside down.
4. Remove the hard drive cover retaining screw.



5. Slide the hard drive latch **1** forward to open the hard drive compartment, and remove the hard drive cover **2**.

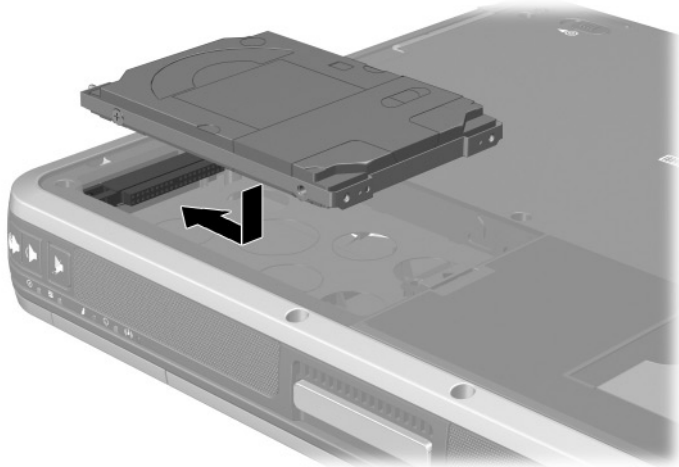


6. Lift the hard drive and remove it from the compartment.

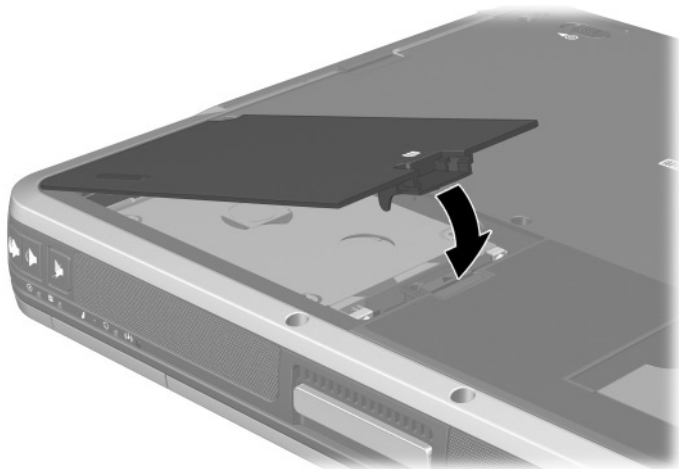


To replace the primary hard drive:

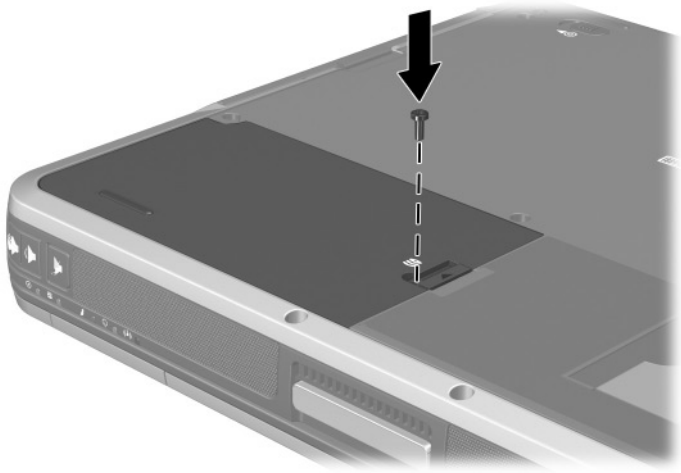
1. Slide the hard drive into the hard drive compartment.



2. Replace the hard drive cover and push down until the cover is latched into place.



3. Replace the hard drive cover retaining screw.

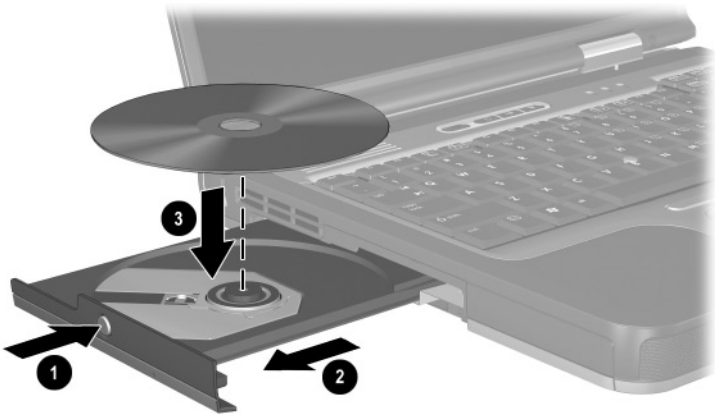


Optical Drive

This section describes how to use optical discs in the integrated optical drive.

Inserting an Optical Disc

1. Turn on the notebook.
2. Press the release button **1** on the drive bezel to release the media tray.
3. Pull the tray **2** out until it is fully extended. Position a CD or DVD over the tray with the label side up.
4. Gently press the disc **3** onto the tray spindle until the disc snaps into place. Handle the disc by the edges, not the flat surfaces. If the media tray is not fully extended, tilt the disc to position it over the tray spindle, then press it into position.
5. Close the media tray.

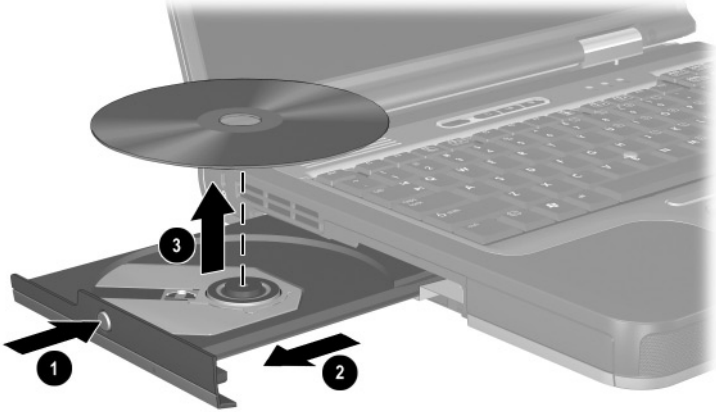


After you insert a DVD, a short pause is normal as Autorun opens the DVD and WinDVD player.

Removing an Optical Disc (with Power)

To remove a disc when power is available:

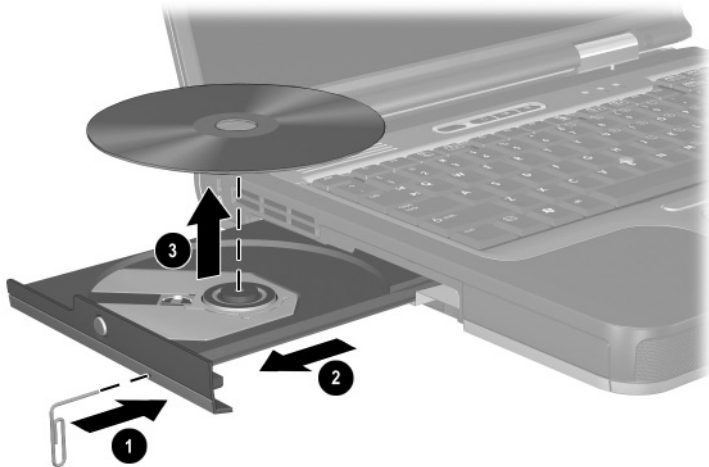
1. Turn on the notebook.
2. Press the release button **1** on the drive bezel to release the media tray, then pull the tray **2** out until it is fully extended.
3. Remove the disc **3** from the tray by gently pushing down on the spindle while lifting the outer edges of the disc. Handle the disc by the edges, not the flat surfaces. If the media tray is not fully extended, tilt the disc as you remove it.
4. Close the media tray and place the disc in a protective case.



Removing an Optical Disc (No Power)

To remove a disc when power is unavailable:

1. Insert the end of a paper clip **1** into the manual eject recess in the front bezel of the drive.
2. Press gently on the paper clip until the media tray is released, then pull out the tray **2** until it is fully extended.
3. Remove the disc **3** from the tray by gently pushing down on the spindle while lifting the outer edges of the disc. Handle the disc by the edges, not the flat surfaces. If the media tray is not fully extended, tilt the disc as you remove it. To protect the disc, place it in a protective case.
4. Close the media tray.



Displaying Optical Disc Contents

When an optical disc is inserted into a drive, the contents of the disc display on the screen when Autorun is enabled.

To display the contents of a disc when Autorun is not enabled:

1. Click Start > Run, then type:

X:

where X = the designation of the drive containing the disc.

2. Press **enter**.

Locating Optical Disc Software

Software that plays CDs and DVDs is preloaded, but not preinstalled, on the notebook. You will need to install the software before you can use it. For more information, refer on the *Documentation Library* CD to the *Software Guide*, “Optical Drive Software” chapter.



To create and copy CDs or DVDs, you will need additional software, such as Roxio Easy CD and DVD Creator 6, which is included with select notebook models.

Initiating Standby or Hibernation

If Standby or Hibernation is accidentally initiated while an optical disc is in use, the following results may occur:

- Your playback may be interrupted.
- You may see a pop-up warning: “Putting the computer into Hibernation or Standby may stop the playback. Do you want to continue?” Select No.

Resume from Hibernation or Standby by pressing the power button. Audio or video may resume or you may need to restart the medium.



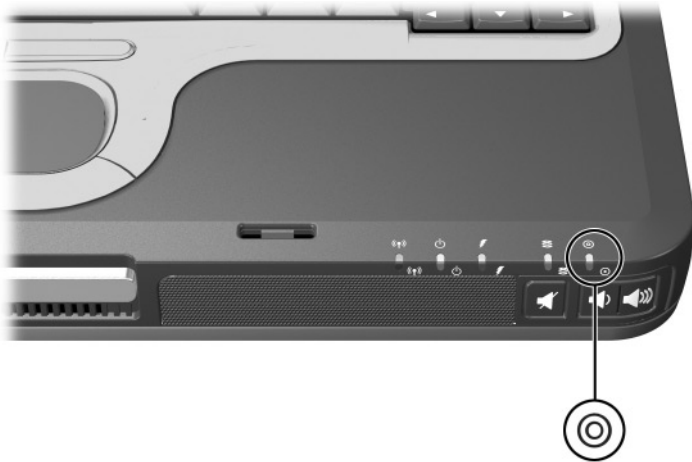
CAUTION: To prevent possible video degradation and loss of audio or video playback functionality, do not initiate Standby or Hibernation while playing any media.

MultiBay Drive

This section explains how to use drives in the MultiBay on the notebook.

Identifying the MultiBay Activity Light

The MultiBay light turns on when any type of drive in the MultiBay is active.



Using a MultiBay Hard Drive Adapter

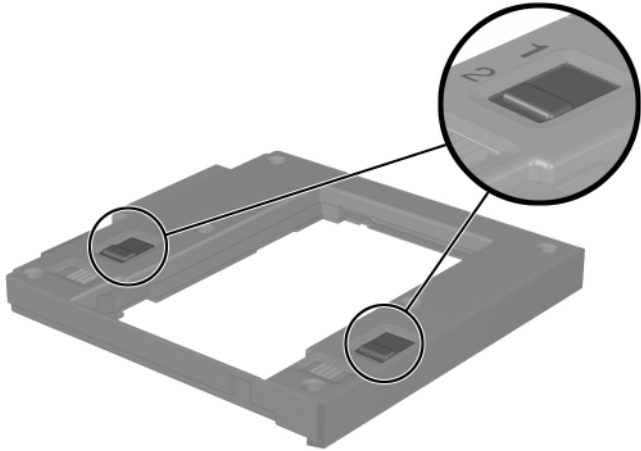
A hard drive must be inserted into an optional MultiBay hard drive adapter before it can be used in the MultiBay.

The hard drive assembly (the hard drive inserted into the MultiBay adapter) is then inserted into and removed from the MultiBay the same way as any other MultiBay device.

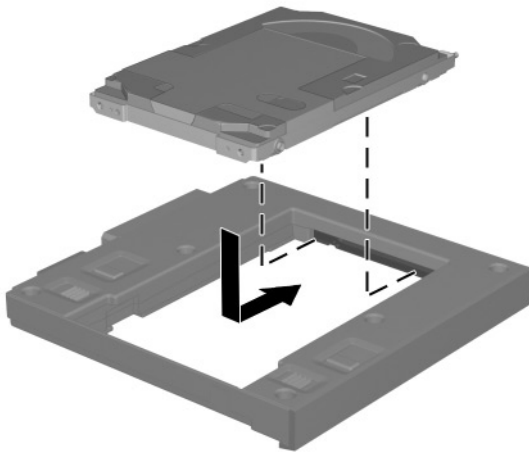
Inserting a Hard Drive into the Adapter

To insert a hard drive into a MultiBay hard drive adapter:

1. Slide the 2 adapter selection switches into position 1.



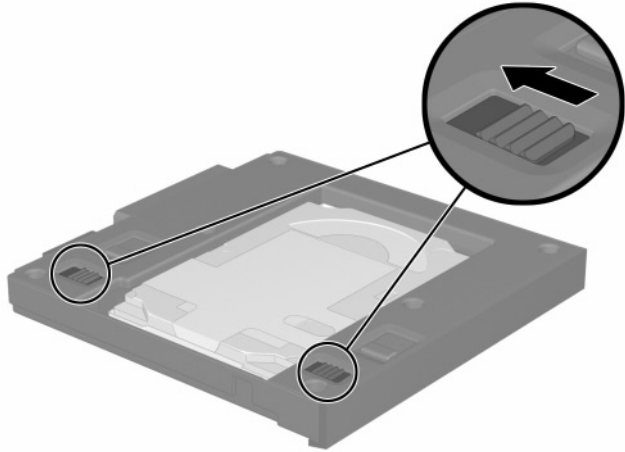
2. Lower the drive into the adapter, then slide the connectors on the drive toward the connectors in the adapter until the connectors engage and the drive is seated.



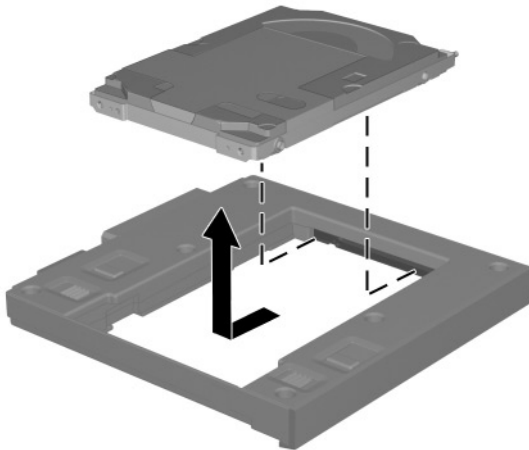
Removing a Hard Drive from the Adapter

To remove a hard drive from a MultiBay hard drive adapter:

1. Slide the adapter release latches to the left.



2. Gently disengage the drive by sliding it away from the connectors on the adapter, then remove the drive.



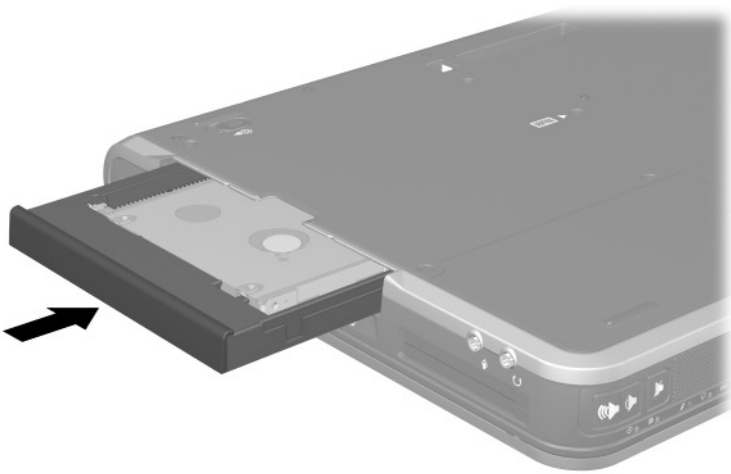
Inserting a Drive into the MultiBay



Before inserting a hard drive into the MultiBay, insert the drive into a MultiBay hard drive adapter as described earlier in this chapter.

Turn the notebook upside down.

With the connector on the drive or drive assembly facing the MultiBay, slide the drive or drive assembly into the MultiBay until it is seated.



Removing a Drive from the MultiBay



CAUTION: To prevent system lockup and loss of information, stop the drive before removing it. To stop the drive:

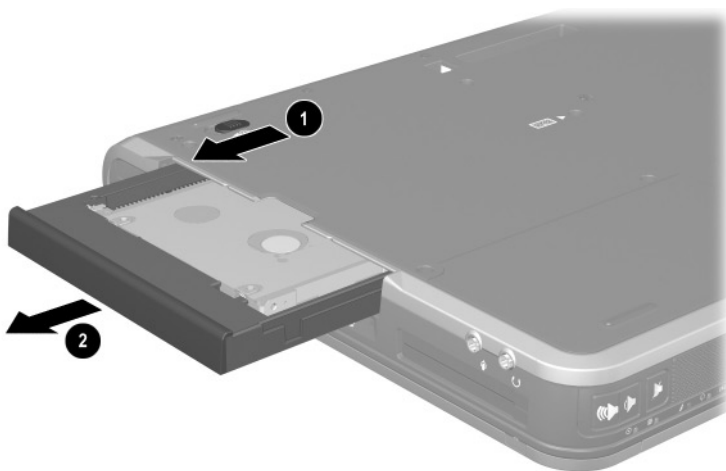
- **Windows 2000**—Select the Unplug or Eject Hardware icon on the taskbar, then select the drive you want to remove. When it is safe to remove the drive, a message is displayed.
 - **Windows XP**—Select the Safely Remove Hardware icon on the taskbar, then select the drive you want to remove. When it is safe to remove the drive, a message is displayed. (To display taskbar icons, select Show Hidden Icons in the system tray.)
-



CAUTION: To protect the MultiBay when no device is inside, insert the weight saver in the bay. The weight saver can be inserted or removed while the notebook is on, off, in Standby, or in Hibernation.

1. If the drive has a media tray, remove the media, then close the tray.
2. Stop the drive as instructed in the preceding caution and close the display.
3. Turn the notebook upside down.

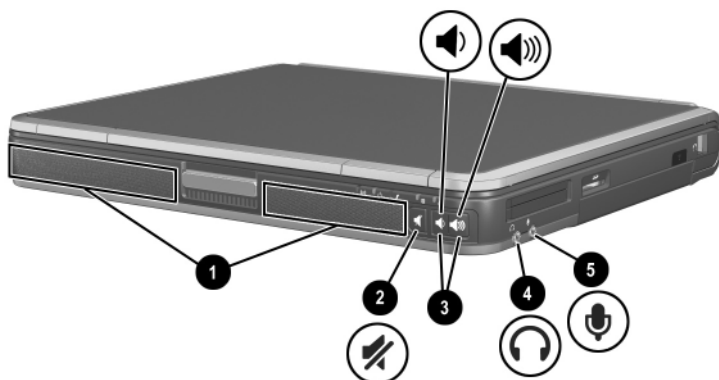
4. Slide the MultiBay release latch **1** toward the side of the notebook.
5. Pull the drive or drive assembly **2** out of the MultiBay.



Audio and Video


Using Audio Features

The notebook includes the audio components described in the following table.



Audio Component	Function
❶ Speakers (2)	Produce system sound.
❷ Mute button	Mutes the system volume.
❸ Volume control buttons	Increase and decrease system volume. Press the volume up button (on right) to increase sound. Press the volume down button (on left) to decrease sound.

(Continued)

Audio Component	Function
④ Audio line-out jack	Connects powered stereo speakers, headphones, a headset, or an audio/visual device such as a television or VCR.  Internal speakers are muted when a headphone is connected to the line-out jack.
⑤ Microphone jack	Connects an optional monaural microphone.

Using the Audio Line-Out Jack



WARNING: To reduce the risk of personal injury, adjust the volume before putting on headphones or a headset.



CAUTION: To prevent possible damage to an external device, do not plug a single-sound channel (monaural) connector into the stereo speaker/headphone (line-out) jack.

The audio line-out jack is also used to connect the audio function of an audio/video device such as a television or VCR.

When connecting a device to the audio line-out jack:

- Use only a 3.5-mm stereo plug.
- For best sound quality, use 24-ohm to 32-ohm headphones.
- The internal speakers are disabled.

Using the Microphone Jack

When connecting a microphone to the microphone jack, use a single-sound channel (monaural) microphone with a 3.5-mm plug. A monaural electret condenser microphone is recommended.

- If you connect a stereo microphone, left-channel sound will record on both channels.
- If you connect a dynamic microphone, the recommended sensitivity may not be achieved.
- When an external microphone is connected to the notebook, the notebook microphone is disabled.

Adjusting Volume

To adjust volume, use any of the following controls:

- Notebook volume buttons
 - To increase volume, press the volume up button.
 - To decrease volume, press the volume down button.
 - To mute or restore volume, press the mute button. The mute button light turns on when the volume is muted.
- Windows Volume Control
 - In Windows 2000:** the Windows Volume Control icon is displayed on the taskbar.
 - In Windows XP:**
 - a. Select Start > Control Panel > Sounds, Speech and Audio Devices > Sounds and Audio Devices.
 - b. Select the Volume tab.
 - c. Select the check box for Place Volume Icon in the Taskbar.
 - d. Select the OK button.



Volume can also be adjusted within some applications.

Using Video Features

The S-Video out jack connects the notebook to an optional S-Video device, such as a television, VCR, camcorder, overhead projector, or video capture card.

An S-Video connection usually provides a higher quality image than a composite-video connection.

If you are combining audio and video functions, such as playing a movie from a DVD to a television, you will need a standard audio cable, available from most electronics retailers.

The notebook can support one S-Video device connected to the S-Video-out jack while simultaneously supporting an image on the notebook display and on any other supported external display.

Using the S-Video Out Jack

To transmit video signals through the S-Video out jack, you need an S-Video cable available from most electronics retailers.

To connect a video device to the S-Video out jack:

1. Plug either end of the S-Video cable ❶ into the S-Video out jack on the notebook.
2. Connect the other end of the cable ❷ to the video device as instructed in the device documentation.



If the S-Video out jack on the notebook is not accessible because the notebook is docked, you can connect the device to the S-Video out jack on the optional Port Replicator.

Communication Devices

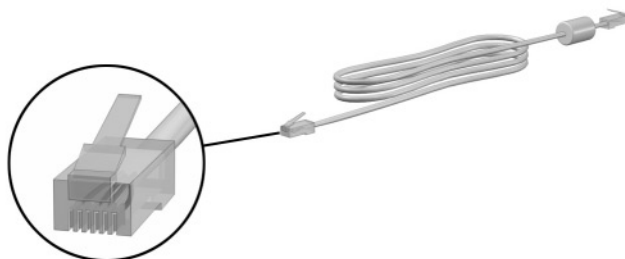
Connecting a Modem Cable

A modem cable, which has a 6-pin RJ-11 connector at each end, must be connected to an analog telephone line, in some countries, with the use of a country-specific modem adapter. Jacks for digital PBX systems may resemble analog telephone jacks, but are not compatible with the modem.



WARNING: Connecting the notebook to a digital line can permanently damage the modem. Immediately disconnect your modem cable if accidentally connected to a digital line.

If the modem cable contains noise suppression circuitry, which prevents interference from TV and radio reception, orient the circuitry end of the cable toward the notebook.



Using the RJ-11 Cable

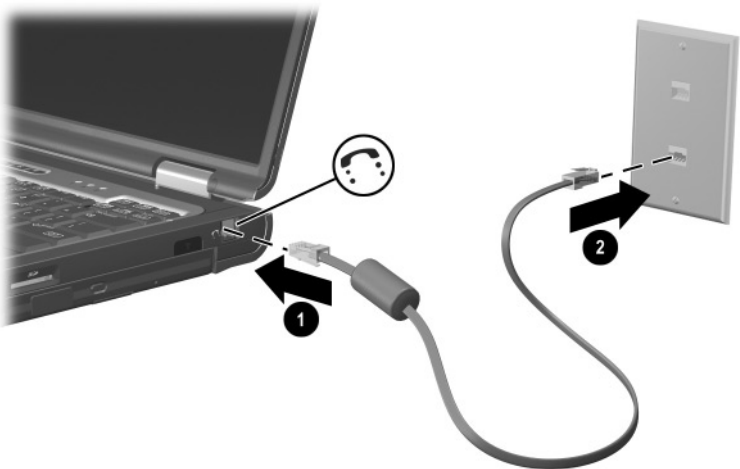
To connect an RJ-11 modem cable:

1. Plug the modem cable ❶ into the RJ-11 jack on the notebook.



WARNING: To reduce the risk of electrical shock, fire, or damage to the equipment, do not plug a telephone cable into the RJ-45 network jack.

2. Plug the modem cable ❷ into the RJ-11 telephone jack.



For more information about using the modem or about using AT commands and dial modifiers, refer on the *Documentation Library* CD to the *Modem and Networking* guide or the *Modem Command Guidelines (Advanced Users Only)*, provided in English.

Using a Country-Specific Adapter Cable

Telephone jacks vary by country. To use the modem and the RJ-11 cable outside the country in which you purchased the notebook, you must obtain a country-specific modem adapter. Refer on the *Documentation Library* CD to the *Modem and Networking* guide for more details about using your notebook internationally.

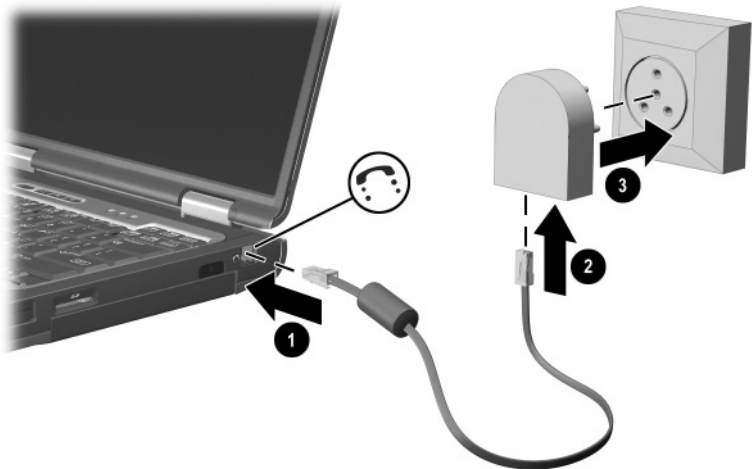
To connect the modem to an analog telephone line that does not have an RJ-11 telephone jack:

1. Plug the modem cable ❶ into the RJ-11 jack on the notebook.



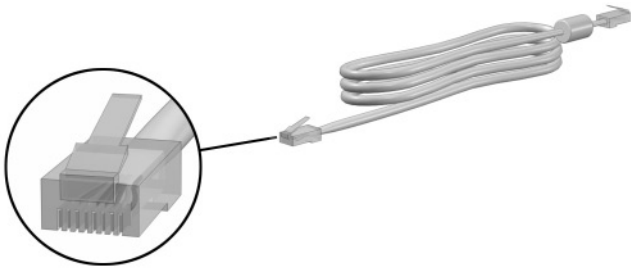
WARNING: To reduce the risk of electrical shock, fire, or damage to the equipment, do not plug a telephone cable into the RJ-45 network jack.

2. Plug the modem cable ❷ into the country-specific modem adapter.
3. Plug the country-specific modem adapter ❸ into the telephone jack.



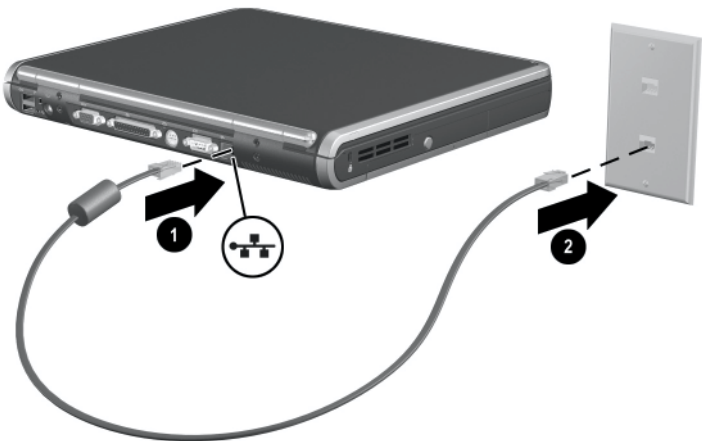
Connecting a Network Cable

A network cable has an 8-pin RJ-45 connector at each end. If the network cable contains noise suppression circuitry, which prevents interference from TV and radio reception, orient the circuitry end of the cable toward the notebook.



To connect the network cable:

1. Plug the network cable ❶ into the RJ-45 jack on the notebook.
2. Plug the other end of the cable ❷ into a network jack.



3. Start or restart the notebook.
4. Connect to the network.

Linking to an Infrared Device

The notebook is IrDA-compliant—4 megabits per second (Mbps) standard—and can communicate with another infrared-equipped device that is also IrDA-compliant.

The infrared port supports both low-speed connections of up to 115 kilobits per second (Kbps) and high-speed connections of up to 4 Mbps. Infrared performance may vary depending on the performance of infrared peripherals, distance between infrared devices, and applications used.

Infrared signals are sent through an invisible beam of infrared light and require an unobstructed line of sight path.



Linking to an infrared device

Setting Up an Infrared Transmission

For information about using infrared software, refer to your operating system Help file.

To set up infrared devices for optimal transmission:

- Prepare the infrared ports on both devices for transmission.
- Position the devices so that their infrared ports face one another at a distance no greater than 1 meter (3.3 feet).
- Position the ports so that they face one another directly. Because the maximum capture angle is 30 degrees, the ports must be aligned no more than 15 degrees off-center.
- Shield the ports from direct sunlight, flashing incandescent light, and energy-saving fluorescent light.
- Be sure that no signals from remote control or other wireless devices, such as headphones or audio devices, aim at a port.
- During the transmission, do not move either device and do not allow objects or movement to disrupt the beam.

Using Standby with Infrared

Standby is not compatible with infrared transmission. If the notebook is in Standby, an infrared transmission cannot be initiated. If Standby is initiated during an infrared transmission, the transmission stops. To resume from Standby, press the power button. The transmission resumes when the notebook resumes from Standby. However, any program that was using the infrared transmission when Standby was initiated may not continue at the point it was stopped. For example, if a program was printing when Standby was initiated, the program resumes transmission after the notebook resumes, but the print job may not resume.

External Devices

The jacks and connectors described in this guide support standard external devices.

- For information about which jack or connector to use, refer to the documentation included with the device.
- For information about installing or loading any software required by the device, such as drivers, refer to the documentation included with the device.

To connect a standard external device to the notebook:

1. Turn off the notebook.
2. If you are connecting a powered device, turn off the device.
3. Connect the device to a connector on the notebook.
4. If you are connecting a powered device, plug the device power cord into a grounded electrical outlet.
5. Turn on the device.
6. Turn on the notebook.

To disconnect a standard external device from the notebook, turn off the device, then disconnect it from the notebook.

Connecting a Monitor or Projector

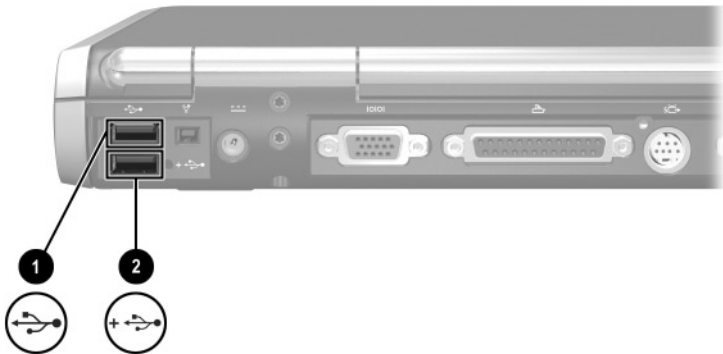
To connect an external monitor or projector to the notebook, insert the monitor cable into the external monitor connector on the back of the notebook.



If a properly connected external monitor or projector does not display an image, try pressing the **fn+f4** hotkey to switch the image to the monitor.

Using a USB Device

Universal serial bus (USB) is a hardware interface that can be used to connect external devices, such as a USB keyboard, mouse, drive, printer, scanner, or hub, to the notebook. The notebook has a standard USB connector **1** and a self-powered USB connector **2** that connects an optional external MultiBay. The USB connectors support USB 2.0 and USB 1.1 devices.



USB hubs can be connected to a USB connector on the notebook or an optional Port Replicator, or to other USB devices. Hubs support varying numbers of USB devices and are used to increase the number of USB devices in the system. Powered hubs must be connected to external power. Unpowered hubs must be connected either to a USB connector on the notebook or to a port on a powered hub.

A USB device functions in the same way as a comparable non-USB device, with one exception. By default, USB devices do not function unless an operating system that supports USB is installed on the notebook.

Some USB devices may require additional support software, which is usually included with the device. For more information and software installation instructions, refer to the documentation included with the device.

Enabling USB Legacy Support

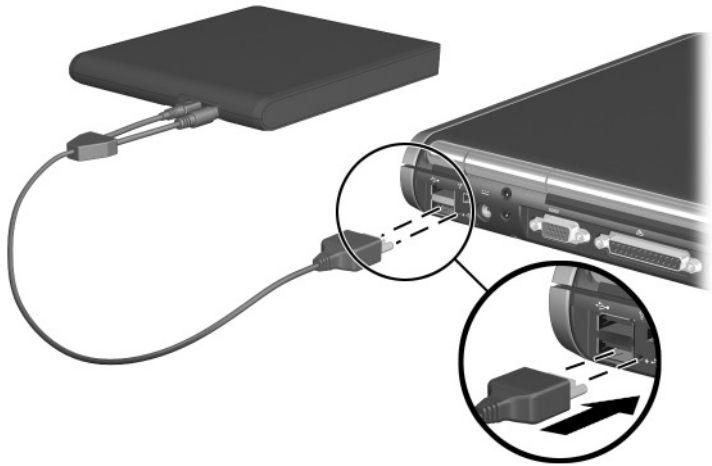
You must enable USB legacy support to use a USB keyboard, mouse, or hub connected to a USB connector on the notebook during startup or in a non-Windows application or utility.

To enable USB legacy support:

1. Turn on or restart the notebook.
2. Press **f10** while the F10 = ROM Based Setup message is displayed in the lower left corner of the screen.
 - ❑ To change the language, press **f2**.
 - ❑ For navigation instructions, press **f1**.
3. Select Advanced menu > Device Options.
4. Select Enable USB legacy support.
5. To save your preference and exit Computer Setup, select File > Save Changes and Exit, then follow the instructions on the screen.

Connecting an Optional External MultiBay

An external MultiBay connects to the notebook by way of the self-powered USB connector and enables you to use MultiBay drives. For more information about the external MultiBay, refer to the documentation that is included with the device.



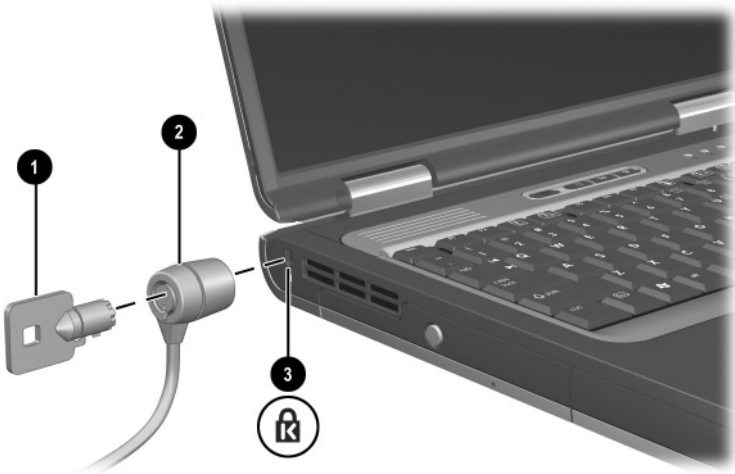
Connecting an Optional Cable Lock



The purpose of security solutions is to act as a deterrent. These solutions do not prevent the product from being mishandled or stolen.

To install a security cable:

1. Loop the security cable around a secured object.
2. Insert the cable lock key ❶ into the security cable lock.
3. Insert the cable lock ❷ into the security cable slot ❸.
4. Lock it with the cable lock key.



Hardware Upgrades

To order hardware or learn more about upgrades and accessories, visit the HP Web site at <http://www.hp.com> or refer to the *Worldwide Telephone Numbers* booklet, included with the notebook, to contact an HP authorized dealer, reseller, or service provider. For information about obtaining and installing software updates and upgrades, refer on the *Documentation Library* CD to the *Software Guide*, “Software Updates and Restorations” chapter.

Using PC Cards

A PC Card is a credit card–sized accessory designed to conform to the standard specifications of the Personal Computer Memory Card International Association (PCMCIA).

- The notebook supports 32-bit CardBus and 16-bit PC Cards.
- If your notebook is equipped with two PC Card slots, the notebook supports two Type I cards, two Type II cards, or one Type III card.
- If your notebook is equipped with an embedded Smart Card Reader, in the upper slot, the lower PC Card slot supports one Type I or one Type II PC Card.
- Zoomed video PC Cards are not supported.



CAUTION: If you install software or enablers provided by a PC Card manufacturer, you may not be able to use other PC Cards. If you are instructed by the documentation included with your PC Card to install device drivers:

- Install only the device drivers for your operating system.
 - Do not install other software, such as card services, socket services, or enablers, that may also be supplied by the PC Card manufacturer.
-

Inserting a PC Card

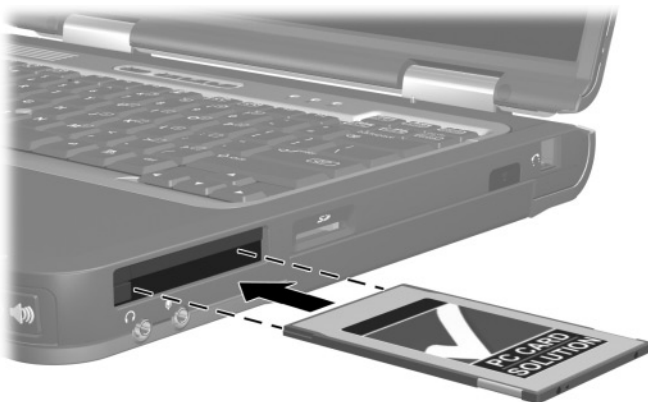


CAUTION: To prevent damage to the connectors:

- Use minimal pressure when inserting a PC Card into a PC Card slot.
 - Do not move or transport the notebook while a PC Card is inserted.
-

To insert a PC Card:

1. Hold the PC Card label-side up with the connector facing the notebook.
2. Gently push the card into the slot until the card is seated. The operating system will issue a sound to indicate that a device has been detected.

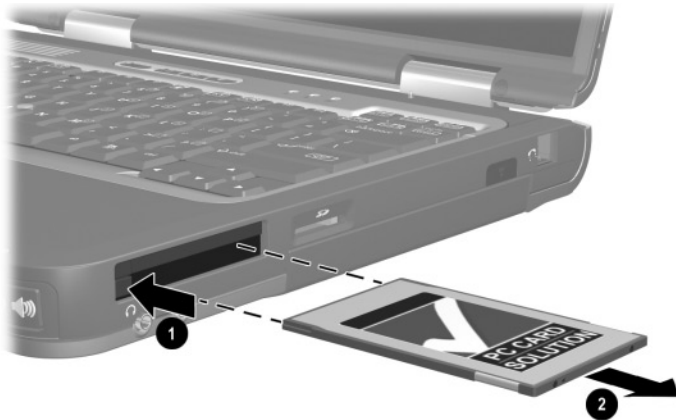


Removing a PC Card



CAUTION: To prevent loss of work or an unresponsive system, stop the PC Card before removing it.

1. Stop the PC Card.
 - ❑ **In Windows 2000**, select the Unplug or Eject icon in the taskbar, then stop the card you plan to remove. When the card can be safely removed, a message is displayed.
 - ❑ **In Windows XP**, select the Safely Remove Hardware icon in the taskbar, then select the PC Card. (To display the Safely Remove Hardware icon, select Show Hidden Icons in the taskbar.)
2. Press the PC Card eject button ❶ adjacent to the PC Card you are removing. This extends the button into position for releasing the PC Card.
3. Release the PC Card by pressing the extended PC Card eject button ❶.
4. Gently pull out the card ❷.



An inserted PC Card uses power even when not in use. To conserve power, stop or remove a PC Card when you are not using it.

Using SD Cards

Secure Digital (SD) cards are removable postage stamp-sized CompactFlash storage devices that provide a convenient method of storing data and sharing it with other devices such as PDAs, cameras, and other SD-equipped PCs.



Inserting an SD Card

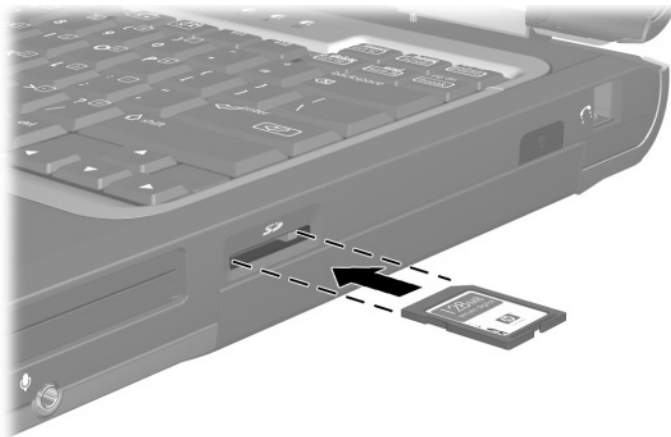


CAUTION: To prevent damage to the connectors:

- Use minimal pressure when inserting an SD Card into an SD Card slot.
 - Do not move or transport the notebook while an SD Card is inserted.
-

To insert an SD Card:

1. Insert the SD Card into the SD Card slot.
2. Push the card firmly into the slot until it clicks into place.



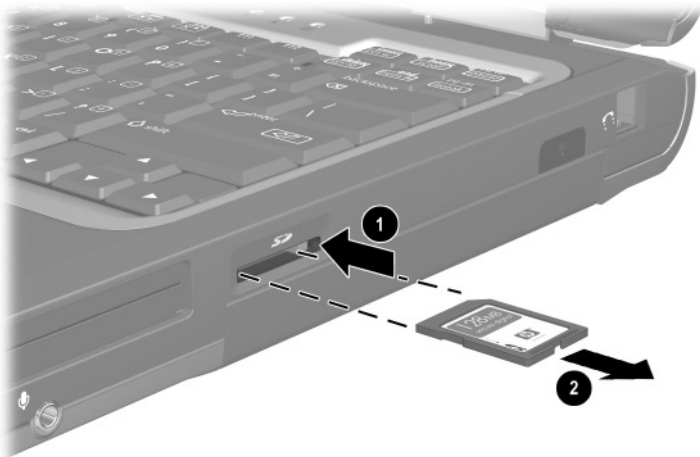
Removing an SD Card



CAUTION: To prevent loss of work or system lockup, stop the SD Card before removing it.

To remove an SD Card:

1. Close all files and applications using the SD Card.
2. Stop the SD Card.
 - ❑ **In Windows 2000**, select the Unplug or Eject icon in the task bar, then stop the card you plan to remove. When the card can be safely removed, a message is displayed.
 - ❑ **In Windows XP**, select the Safely Remove Hardware icon in the taskbar, then select the SD Card. (To display the Safely Remove Hardware icon, select Show Hidden Icons in the taskbar.)
3. Gently press in on the SD Card ❶ to unlock it.
4. Pull the SD Card ❷ from the slot.



Adding and Upgrading Memory Modules



WARNING: The memory compartments are the only user-accessible internal compartments on the notebook. All other areas that require a tool to access should be opened only by an authorized service provider.



WARNING: Failure to unplug the power cord and remove all battery packs before installing a memory expansion module can damage the equipment and expose you to the risk of electrical shock.



CAUTION: Electrostatic discharge (ESD) can damage electronic components. Before beginning any procedure, ensure that you are discharged of static electricity by touching a grounded metal object. For more information, refer on the *Documentation Library* CD to the *Regulatory and Safety Notices* guide.

The notebook has 2 memory slots located under the keyboard. One memory slot is populated at the factory. The other slot can be used for memory expansion. The notebook supports DDR 266 and 334 memory SIMS cards.

The memory capacity of the notebook can be upgraded by adding a memory module to the expansion slot or by upgrading the memory module.

To add or upgrade a memory module:

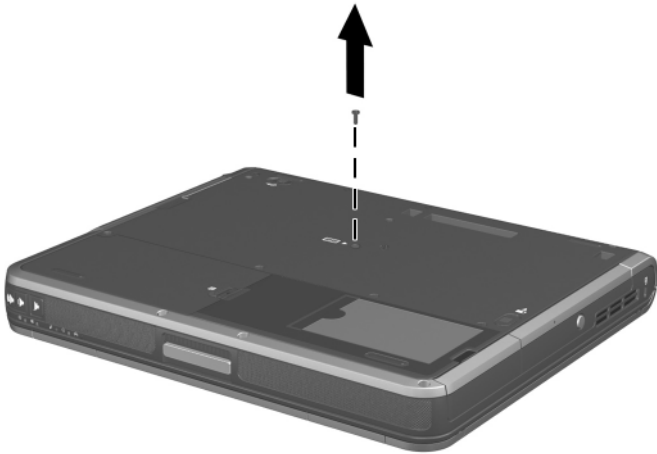
1. Shut down the notebook. (If you are not sure whether the notebook is off or in Hibernation, turn the notebook on by pressing the power button. Then shut down the notebook through the operating system.)
2. Disconnect all external devices connected to the notebook.
3. Disconnect the power cord.

4. Remove any battery packs in the notebook.



WARNING: To reduce the risk of electrical shock, fire, or damage to the equipment, do not turn on the notebook or reconnect any external cables during this procedure.

5. Turn the notebook upside down and remove the keyboard access screw.

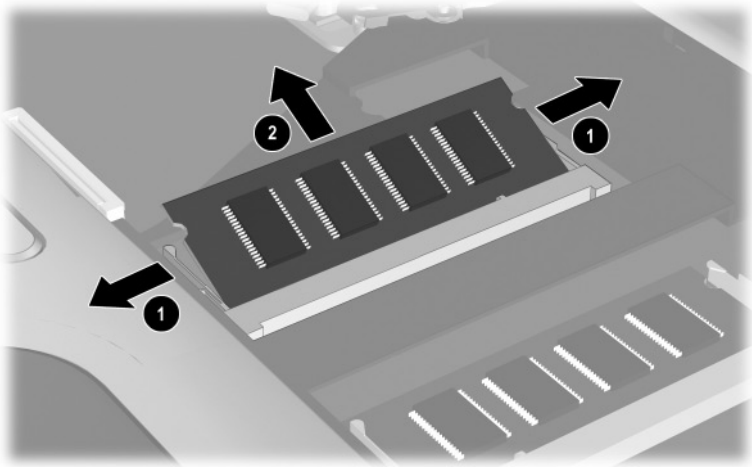


6. Turn the notebook top side up and open the display.

7. Unlatch the 4 keyboard release latches **1** to release the keyboard, then tilt the keyboard **2** and remove it from the notebook.



8. Remove an existing module, if needed. If not needed, proceed to step 9.
 - a. Pull the retention clips away from the memory module ❶.
 - b. Lift the edge of the memory module ❷ and slide it gently out of the memory expansion slot at a 45-degree angle.



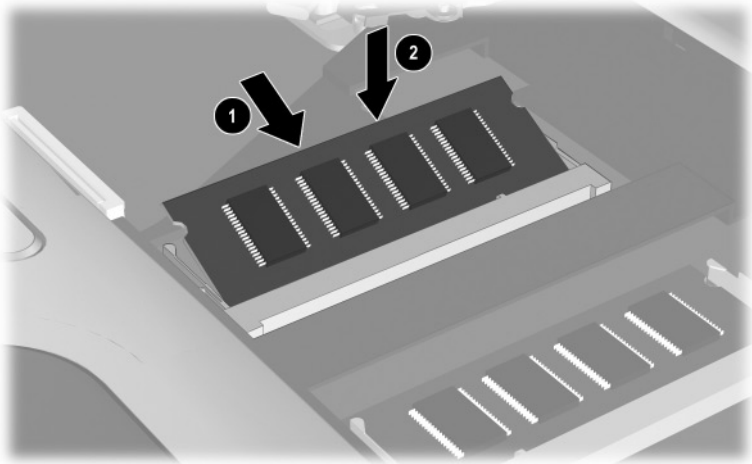
To protect a module after it has been removed, place it in a static-safe container.

9. Insert the new memory module:

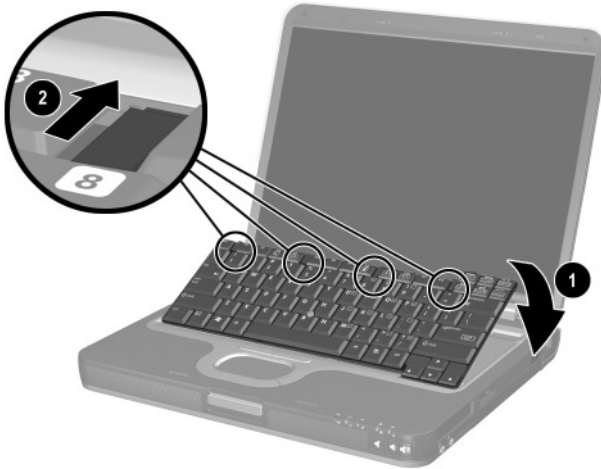
- a. Align the keyed (notched) edge of the module **1** with the keyed area in the expansion slot.
- b. Insert the memory module **1** into the empty memory expansion slot at a 45-degree angle. Then slide it gently into place until it is seated while tilted.



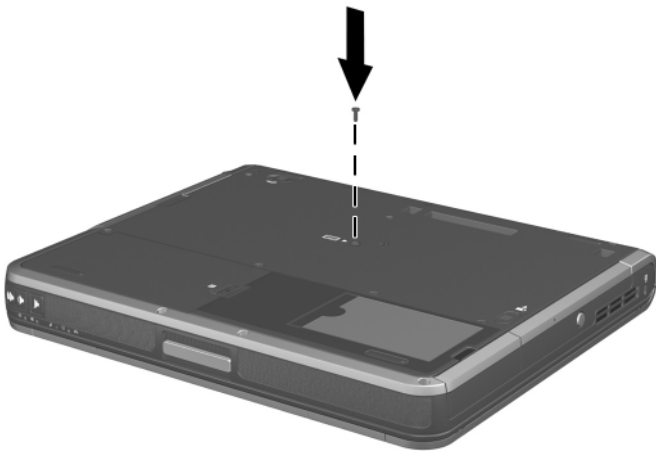
10. Push the memory module **2** down until the retention clips snap into place.



11. Replace the keyboard and snap the 4 keyboard release latches back into place.



12. Replace the keyboard access screw on the bottom of the notebook.



13. Replace any battery packs.
14. Reconnect any external cables and turn on the notebook.

Effects of Increasing Memory

When random access memory (RAM) increases, the operating system increases the hard drive space reserved for the Hibernation file.

If you experience problems with Hibernation after increasing RAM, verify that your hard drive has enough free space to accommodate the larger Hibernation file.

- To display the amount of RAM in the system:
 - ❑ **In Windows 2000**, select Start > Settings > Control Panel > System > General tab.
 - ❑ **In Windows XP**, select Start > Control Panel > Performance and Maintenance > System > General tab.
 - ❑ **In Windows 2000 or Windows XP**, press **fn+esc**.
- To display the amount of free space on your hard drive, double-click the My Computer icon on the desktop, then select your hard drive. Information about the space on the drive is displayed in a status bar at the bottom of the window.
- To display the amount of space required by the Hibernation file:
 - ❑ **In Windows 2000**, select Start > Settings > Control Panel > HP Power > Hibernation tab.
 - ❑ **In Windows XP**, select Start > Control Panel > Performance and Maintenance > Power Options icon > Hibernate tab.

Specifications

The information in this chapter may be helpful if you plan to use or transport the notebook internationally or in extreme environments.



Only compatible AC adapters and battery packs should be used with the notebook. For additional information, visit the HP Web site at <http://www.hp.com>, or use the *Worldwide Telephone Numbers* booklet, included with your notebook, to contact an HP authorized dealer.

Notebook Dimensions

Dimension	Metric	U.S.
Height	4.15 cm	1.6 in
Width	32.6 cm	12.8 in
Depth	27.5 cm	10.8 in

Operating Environment

Factor	Metric	U.S.
Temperature		
Operating	10° to 35° C	50° to 95° F
Nonoperating	-10° to 60° C	14° to 140° F
Relative humidity (noncondensing)		
Operating	10 to 90%	10 to 90%
Nonoperating	5 to 95%	5 to 95%
Maximum altitude (unpressurized)		
Operating	3,048 m	10,000 ft
Nonoperating	9,144 m	30,000 ft

Rated Input Power

Input Power	Rating
Operating voltage	100–120/220–240 VAC RMS
Operating current	1.6/0.8 A RMS
Operating frequency range	50–60 Hz AC
When powered by a DC source	18.5V MAX
This product is designed for IT power systems in Norway with phase-to-phase voltage not exceeding 240 Vrms.	

Modem Specifications

This notebook has been tested and found to comply with the limits for a Class B digital device. For additional governmental agency information, refer on the *Documentation Library* CD to the *Regulatory and Safety Notices* guide.

Factor	Specification
Temperature	
Operating	0° to 75° C (32° to 167° F)
Storage	-40° to 75° C (-40° to 167° F)
Relative humidity (noncondensing)	
Operating	10 to 90%
Nonoperating	5 to 95% @ 39° C (5 to 95% @ 102° F)
Interfaces	Communications connector Standard RJ-11 connector
Power Requirements	+3.3 volts ± 5%, +5 volts ± 5%

Index

1394 connector 1–12

A

AC adapter 1–12

connecting 3–13

disconnecting 3–1

AC power, switching to and from 3–1

adapter

for hard drive. *See*

MultiBay hard drive adapter

adapter, modem 6–3

Aircraft Power Adapter 1–12

connecting 3–13

tasks supported by 3–7

airport security devices 4–2

analog vs. digital line 6–1

applications key 1–3

audio devices, connecting

external 5–1

audio line-out jack 1–10

Automobile Power

Adapter/Charger 1–12

connecting 3–13

tasks supported by 3–7

B

battery bay

device supported 3–2

inserting battery pack into 3–3

removing battery pack 3–3

battery bay, primary 1–8

battery charge information

displays

hotkey 2–6, 2–8

in Windows 3–9

increasing accuracy of 3–9

interpreting 3–10

battery light 1–6

battery packs

calibrating 3–14

charging 3–7

discharge sequence 3–8

disposing of 3–21

inserting/removing primary 3–3

monitoring charge in 3–9

MultiBay 3–5

MultiBay vs. primary 3–2

recycling 3–21

replacing with weight

saver, in MultiBay 4–18

- storing 3-1, 3-20
 - See also* battery power
- battery power
 - conserving 3-18
 - low-battery conditions 3-12, 3-13
 - running notebook on 3-1
 - switching to and from 3-1
 - See also* battery packs
- bay(s)
 - hard drive 1-15
 - primary battery 1-8
- bay. *See* battery bay; external diskette drive bay; hard drive bay; MultiBay;
- Bluetooth 1-10, 2-11
- brightness, display 2-6
- button(s)
 - mute 2-11
 - PC Card eject 8-3
 - pointing stick 2-1
 - power 1-2
 - Presentation Mode 2-11
 - Quick Launch 1-2, 2-10
 - Quick Lock 2-10
 - TouchPad 1-1, 2-1
 - volume 1-11, 5-3
 - Wireless On/Off 2-11
- C**
- cable lock, connecting 7-5
- cable(s)
 - modem 6-1, 6-2
 - network 6-4
 - security 7-5
- calibration, battery 3-14
- camcorder 5-4
- cap, replacing pointing stick 2-3
- caps lock light 1-5
- CD
 - displaying contents of 4-12
 - inserting 4-9
 - removing 4-10, 4-11
- CD drive
 - inserting CD into 4-9
 - inserting into MultiBay 4-17
 - locations supported 4-3
 - removing CD 4-10, 4-11
 - See also* drives
- charge sequence 3-8
- compartments, primary memory 1-4
- Computer Setup
 - enabling num lock mode at startup 2-14
 - enabling USB legacy support 7-3
 - navigating in 2-14, 7-3
- connecting external devices 7-1
- connector(s)
 - 1394 1-12
 - DC power 1-12
 - docking 1-14
 - drive 4-2
 - external monitor 1-13
 - External MultiBay 1-12
 - parallel 1-12
 - serial 1-12
 - USB 1-12

- country-specific modem adapter 6–3
- critical low-battery condition
 - identifying 3–12
 - restoring from 3–13
- D**
- DC power connector 1–12
- device drivers 7–1, 8–2
- digital vs. analog line 6–1
- discharge sequence 3–8
- disk/diskette, displaying contents 4–12
- diskette drive
 - inserting into MultiBay 4–17
 - locations supported 4–3
 - See also* drives
- display
 - brightness 2–8
 - switching image to or from 2–6, 7–2
- docking connector 1–14
- drive(s)
 - adding 4–3
 - affected by airport security 4–2
 - caring for 4–1
 - MultiBay 1–10
 - optical disc 1–7
 - primary hard drive 1–15
 - replacing with weight saver 4–18
 - shipping 4–2
- DVD
 - displaying contents of 4–12
 - inserting 4–9
 - removing 4–10, 4–11
- DVD drive
 - inserting DVD 4–9
 - inserting into MultiBay 4–17
 - locations supported 4–3
 - removing DVD 4–10, 4–11
 - See also* drives
- E**
- electrostatic discharge (ESD) 4–2
- embedded numeric keypad 2–13
- enabling
 - internal keypad 2–13
 - num lock mode 2–14
- environmental specifications 9–1
- ESD (electrostatic discharge) 4–2
- exhaust vent 1–7
- external devices 7–1
- external diskette drive bay 4–3
- external keypad 2–14
- external mouse 2–4
- External MultiBay connector 1–12
- F**
- floppy disk drive. *See* diskette drive
- fn key 1–3, 2–9
- function keys 1–3

H

- hard drive
 - activity light 4-4
 - bay 1-15
 - inserting into hard drive adapter 4-14
 - inserting into MultiBay 4-17
 - locations supported 4-3
 - MultiBay vs. primary 4-3
 - removing 4-5
 - removing from hard drive adapter 4-14
 - replacing 4-5
 - retaining screw 4-5
 - See also* drives
- hard drive bay device 4-3
- headphone jack 1-10
- headphones, headset
 - connecting 5-2
 - stereo speaker/headphone (line-out) jack 5-1
- Hibernation
 - and critical low-battery condition 3-12
 - and removing a hard drive 4-5
 - exiting 1-2, 3-13
 - file space requirements for 8-12
 - initiating 2-7
- hotkeys
 - defined 2-5

- shortcut reference to commands 2-6
- with external keyboards 2-9

hub, USB 7-3

I

- increasing RAM 8-12
- infrared
 - linking to a device 6-5
 - port 1-9
 - transmissions 6-6
 - using Standby with 6-6

J

- jack(s)
 - microphone 1-10, 5-1, 5-2
 - RJ-11 1-10, 6-1
 - RJ-45 1-13
 - stereo speaker/headphone (line-out) 5-1
 - S-Video out 1-13

K

- key(s)
 - application 1-3
 - fn 1-3, 2-5, 2-9, 2-13
 - function 1-3, 2-9
 - hotkeys 2-5, 2-9
 - internal keyboard 2-13
 - Microsoft logo 1-3
 - num lk 2-13
 - shortcut 2-5, 2-9
- keyboard
 - external 2-9
 - USB 7-3

- keypads
 - enabling/disabling 2–13
 - external 2–14
 - internal 2–12

L

- light(s)
 - battery 1–6
 - caps lock 1–5
 - hard drive activity 4–4
 - MultiBay 1–6
 - num lock 1–5
 - power/Standby 1–5
 - scroll lock 1–5
 - Wireless On/Off 1–5
- location numbers in battery charge information displays 3–10
- lock, security cable 7–5
- low-battery conditions 3–12, 3–13

M

- memory
 - adding memory expansion board 8–6
 - expansion compartment 8–6
 - primary slot 8–6
- memory compartment, primary 1–4
- microphone jack 1–10, 5–1, 5–2
- microphone, external
 - connecting 5–3
 - microphone jack 5–1

- microphone, internal 5–1
 - Microsoft logo key 1–3
 - modem
 - cable 6–1, 6–2
 - country-specific adapter 6–3
 - jack 1–10
 - Modem and Networking* guide 6–2
 - Modem Command Guidelines (Advanced Users Only)* 6–2
 - monitor, external
 - connecting 7–1
 - using with other video devices 5–4
 - mouse, external 2–4
 - MultiBay 1–10
 - devices supported 3–2, 4–3
 - inserting battery pack 3–5
 - inserting drive 4–17
 - removing battery pack 3–5
 - MultiBay battery pack,
 - defined 3–2
 - See also* battery packs; battery power
 - MultiBay hard drive adapter 4–14
 - MultiBay hard drive, defined 4–3
 - See also* drives; hard drive
 - MultiBay, external 7–4
- N**
- network
 - cable 6–4
 - jack 1–13

noise suppression circuitry
6-1, 6-4

num lock
key 2-13
light 2-13

numeric keypad 2-13

O

optical disc drive 1-7

overhead projector
composite video-out jack
5-4
connecting 7-1
switching display to or
from 2-6, 7-2
using with other video
devices 5-4

P

parallel connector, identifying
1-12

PC Card

eject button 8-3
inserting 8-2
slot 1-9
stopping and removing 8-3
types 8-1
using 8-1
zoomed video 8-1

peripherals, connecting and
disconnecting 7-1

pointing device preferences
2-4

pointing stick
buttons 2-1
cap, replacing 2-3

location 2-1
using 2-3

Port Replicator 2-4

port, infrared 1-9, 6-5

power

switching between AC and
battery 3-1

See also battery power

power button 1-2

power connector 1-12

Power Meter (Windows) 3-9

power/Standby light 1-5

powered USB 1-12

presentation mode button 2-11

primary battery pack, defined
3-2

See also battery packs;
battery power

primary hard drive, defined
4-3

See also drives; hard drive

projector, connecting 7-1

Q

Quick Launch buttons 1-2,
2-10

R

RAM (Random Access
Memory) 8-12

Regulatory and Safety Notices
9-3

RJ-11

jack 1-10
modem cable 6-2

- RJ-45
 - jack 1-13
 - network cable 6-4
- S**
- screen brightness 2-6, 2-8
- scroll lock light 1-5
- SD (Secure Digital) card
 - inserting 8-4
 - removing 8-5
 - slot 1-9
- security cable slot 1-7
- security features 7-5
- serial connector 1-12
- shortcut keys
 - defined 2-5
 - with external keyboards 2-9
- Sleep. *See* Standby
- slot(s)
 - PC Card 1-9, 8-2
 - primary memory 1-4
 - SD (Secure Digital) card 1-9
 - SD Card 8-4
- smart card reader, embedded 1-9
- software
 - modem 3-18
 - Power Meter (Windows) 3-9
 - SpeedStep (Windows 2000) 3-19
- speakers 1-11
 - speakers, external
 - connecting 5-2
 - stereo speaker/headphone (line-out) jack 5-1
 - speakers, internal stereo 5-1
- specifications, notebook 9-1
- Standby
 - and critical low-battery condition 3-12
 - and removing a hard drive 4-5
 - exiting 1-2, 2-7
 - initiating with hotkey 2-6, 2-7
 - using with infrared 6-6
- stereo speaker/headphone (line-out) jack 5-1
- S-Video devices 5-4
- S-Video out jack 1-13
- switching display and image 2-6, 7-2
- system information 2-6, 2-9
- T**
- telephone (RJ-11) jack
 - identifying 1-10
 - modem cable 6-1, 6-2
- television
 - connecting audio 5-2
 - stereo speaker/headphone (line-out) jack 5-1
 - switching image to or from 2-6
- temperature for battery pack storage 3-20

- TouchPad 1–1
 - buttons 2–1
 - location 2–1
 - using 2–3
 - traveling with the notebook
 - Aircraft Power Adapter 1–12, 3–13
 - Automobile Power Adapter/Charger 1–12, 3–13
 - battery pack temperature considerations 3–20
 - protecting hardware connectors 8–2, 8–4
 - Types I, II, and III PC Cards 8–1
- U**
- USB
 - connectors 1–12, 7–3
 - devices 7–3
 - hubs 7–3
 - legacy support 7–3
 - with power connector 1–12
 - utilities. *See* software

- V**
- VCR
 - defined 5–4
 - switching image to or from 2–6, 7–2
 - vent(s)
 - exhaust 1–7
 - intake 1–13
 - VGA display connector 1–13
 - video capture card 5–4
 - video devices
 - switching image to or from 7–2
 - video devices, switching image to or from 2–6
 - volume
 - adjusting 5–2
 - buttons 1–11
- W**
- weight saver 4–18
 - Windows applications key 1–3
 - wireless (802.11 and Bluetooth)
 - On/Off button 2–11
 - On/Off light 1–2
- Z**
- zoomed video PC Card 8–1