

hp pavilion home pc

**warranty
and
support guide**

what's inside:

- ✓ **where to get help**
- ✓ **warranty and license information**
- ✓ **declaration of conformity**
- ✓ **operating specifications**
- ✓ **regulatory and safety information**

Before contacting HP Customer Support Center, it's important to have the following information handy. Please take a moment to write down your product information for future reference.

Product Name: _____

Model #: _____

System or
Product #: _____

Serial #: _____

Purchase Date: _____

Operating
System: _____

Type &
Revision: _____

Applicable error
messages: _____

Additional third-party hardware
and/or software installed: _____

Any detailed,
specific questions: _____



i n v e n t

Where to Get Help

Follow these steps when you need help from HP:

- 1 Check the setup poster and the *User's Guide* for help with setting up and using your PC.
- 2 For faster help, be sure to register your HP Pavilion home PC by e-mail, on the Web at <http://www.register.hp.com> or by phone.
- 3 Use Help on your PC to get help with your hardware and software. Click **Start** and then click **Help and Support**.
- 4 For help online, go to the HP Support Web site at <http://www.hp.com/support>
- 5 If you have not solved the problem, call the HP Customer Care Center at
1-(800)-474-6836 [1-(800) HP invent]
(U.S. & Canada)
Or
905-206-4663
(local to Mississauga)

HP Support Web site

<http://www.hp.com/support>

Software Support

America Online

U.S.: 1-888-346-3704 — Canada: 1-888-265-4357
www.aol.com

ArcSoft

www.arcsoft.com

AT&T WorldNet

1-800-400-1447 — www.att.net

CompuServe 2000

1-800-944-9871 — www.compuserve.com

Corel

www3.corel.com

Detto Technologies

1-866-338-8663 — www.detto.com

Disney's Blast Online

1-972-389-3970 — www.disney.com

EarthLink

Dial-up customer service: 1-800-890-6356

Dial-up technical support: 1-800-890-5128

DSL customer service and technical support:
1-888-829-8466

www.earthlink.net

HP Customer Care Center

1-(800)-474-6836 [1-(800) HP invent]
(U.S. & Canada)

Or

905-206-4663

(local to Mississauga)

Hours: 24 hours, 7 days

HP Registration Web site

<http://register.hp.com>

Don't Forget to Register!

Registration is quick, easy, and offers you access to subscriptions and notifications such as:

- E-mail updates containing notifications about product enhancements, the most recent support alerts, and driver updates specific to the product(s) you own.
- The HP newsgam, our monthly online magazine packed full of product news, support tips, project ideas, and much more. Visit us at <http://subscription.support.hp.com>

Visit us at <http://register.hp.com>

InterVideo

510-651-0888

www.intervideo.com/home

Microsoft Network

1-800-386-5550 — www.support.msn.com

MusicMatch

www.musicmatch.com

Prodigy Internet Services

1-800-213-0992 — www.prodigy.com

Quicken Basic (Intuit)

1-900-555-4688 — www.intuit.com

Veritas (only CD-RW and DVD+RW/+R models)

www.veritas.com

Yahoo! — User Support

www.yahoo.com

Warranty and License Information

Contacting HP Customer Care

HP Customer Care provides fast, friendly, and effective expert advice for all your HP products. If you have a question or if a problem arises, we offer extensive service and support options around the clock to better handle your needs. Go to: www.hp.com/support for the fastest access to product information and assistance.

HP Support Process

HP offers a wide variety of service and support options which are available around the clock for HP customers with products that are either in or out of warranty. If you have a question or a problem arises, for the fastest service we suggest that you seek assistance from HP service and support in the following manner:

- 1 Use the Help and Support features that are installed with your product and refer to your product documentation for specific instructions and troubleshooting information.
- 2 Visit the HP online service and support at www.hp.com/support
HP online service and support is available to all HP customers for the life of their HP products. It is always available and is your fastest source for up-to-date product information and expert assistance that includes:
 - Fast access to qualified online support specialists.
 - Software and driver updates for your product.
 - Valuable product and troubleshooting information for common problems.
 - Proactive product updates, support alerts, and HP newsgrams are available when you register your product.
- 3 Contact HP Customer Care by phone 24 hours a day, seven days a week in both English and Spanish (U.S. only) via **1-(800)-474-6836** [1-(800) HP invent] or **905-206-4663** (local to Mississauga). Canadian customers can reach us at the same number for support in both English and French. When you call please have your product model number, serial number, and date of purchase available. Telephone support is free during your limited warranty period.

When should I contact HP online service and support?

For many common problems and requests, HP online service and support is your fastest link to up-to-date product information and expert assistance. Visit www.hp.com/support to:

- Download current software and drivers for your product.
- Troubleshoot common printing problems.
- Find user manuals and documentation for your product.

When should I contact HP phone service and support?

When your problem cannot be solved through HP online service and support, qualified support specialists are available 24 hours a day via **1-(800)-474-6836** [1-(800) HP invent] or **905-206-4663** (local to Mississauga) to provide expert assistance. Call HP Customer Care when:

- You either do not have Internet access, or cannot connect to the Internet to visit www.hp.com/support
- The Help and Support Center on your PC does not identify or help solve your problem.
- There is obvious damage or a mechanical breakdown with your product rendering it inoperable.

Note: Support options, availability and hours vary by product, country/region, and language and are subject to change.

And, if Necessary: Get Repair

Customer-replaceable Parts

You can easily replace many of the HP Pavilion parts yourself. This is the fastest method of repair, where the part is conveniently sent with next-day service to your home or business. We pay the shipping and handling. Detailed instructions are included to guide you through an easy repair, and if you have questions, call us for assistance. This service is free for the duration of the hardware warranty period.

In some cases, HP will ask for a credit card as collateral for the part and will charge you for the retail price of the part if the failed part is not returned within thirty (30) days.

Availability of this program may vary depending on your country/region.

Send-In Repair Service

HP will arrange to have your PC picked up and delivered to an HP Central Repair Center. We pay for the round-trip shipping and handling. This service is free for the duration of the hardware warranty period.

There are a few limitations and exclusions to this warranty (as well as some important details) and you'll find them described, in legal language, beginning on the next page.

Carry-In Service

You also have the option of taking your PC to an HP Authorized Service Provider (ASP). The ASP can facilitate the service on your PC. Visit www.hp.com/us/support to find the nearest authorized support provider in your area.

HP Out-of-Warranty Support Options

Even after your warranty has ended, HP can still provide you with service and support options.

- For Visa and MasterCard holders in the United States or calls from Canada, please call **1-(800)-474-6836** [1-(800) HP invent] or **905-206-4663** (local to Mississauga). The fee is U.S. \$40* per call, charged to your Visa or MasterCard.

*Prices are subject to change without notice and may vary based on your product.

Recycle – HP Planet Partners

HP is sensitive to the environment and has a program, Planet Partners, to make it simple for us to reclaim your old product for recycling. HP will help you recycle your old equipment even if it is not an HP product; we take back all makes and models. Visit our Web site to find out how easy it is to recycle: www.hp.com/recycle

Protect Your Investment

Obtaining a Warranty Upgrade

Upgrade your standard factory warranty to two or three years with the Care Pack. Service coverage begins on product purchase date and you must purchase the pack within the first year after product purchase. The hardware service offering will be determined based on the outcome of system self-test programs run by the customer through the initial call to Customer Care.

For more information please visit
<http://www.hp.com/hps/carepack>

or call 1-888-999-4747.

HP Installation Services

Did you know HP offers an installation service for all HP Pavilion home PCs? An HP-approved technician will come to your home or office to set up and test your PC and connect it to your printer. We will also make sure the connection to your Internet service provider, if you have one, is up and running.

HP installation services can also provide you with various levels of PC training and orientation to help you get the maximum satisfaction and benefit out of your new HP Pavilion.

For more information or to purchase the HP installation service, please call 1-(800)-474-6836 [1-(800) HP invent] (U.S. only).

The Legal Language

Hewlett-Packard Limited

Warranty Statement

DURATION OF LIMITED WARRANTY

Hardware:

Original Systems — 1 year

Technical phone assistance to diagnose potential hardware issues — 1 year

HP warrants to you, the end-user customer, that HP hardware, accessories, and supplies will be free from defects in materials and workmanship after the date of purchase —

Original Systems — 1 year

If HP receives notice of such defects during the warranty period, HP will replace products that prove to be defective. Replacement (e.g., keyboard, monitor, mouse, etc.) may be either new or like new. HP warrants to you that HP software will not fail to execute its programming instructions after the date of purchase, for 30 (thirty) days, due to defects in material and workmanship when properly installed and used. If HP receives notice of such defects during the warranty period, HP will replace software media, which does not execute its programming instructions due to such defects.

HP warrants the operation of a network interface card (NIC) only if factory preinstalled by HP, as follows: HP will make sure the correct drivers are installed; HP will make sure that the HP Pavilion recognizes the NIC. NO CONNECTIVITY ISSUES ARE SUPPORTED.

HP does not warrant that the operation of HP products will be uninterrupted or error-free. If HP is unable, within a reasonable time, to repair any product to a condition as warranted, you will be entitled to a refund of the purchase price upon prompt return of the product. Refunds within the first 3 months of ownership will be refunded at 100% of purchase price. Refunds within 3–6 months of ownership will be refunded at 85% of purchase price. Refunds within 6–9 months of ownership will be refunded at 55% of purchase price. Refunds within 9–12 months will be refunded at 35% of purchase price.

HP products may contain remanufactured parts, which are equivalent to new in performance or may have been subject to incidental use.

Warranty does not apply to defects resulting from (a) improper or inadequate maintenance or calibration, (b) software, interfacing, parts, or supplies not supplied by HP, (c) unauthorized modification or misuse, (d) computer viruses of any origin, (e) operation outside of the published environmental specifications for the product, (f) improper site preparation or maintenance, or (g) unplanned acts of nature, such as floods, tornadoes, lightning strikes, hurricanes, or earthquakes.

HP MAKES NO OTHER EXPRESS WARRANTY OR CONDITION WHETHER WRITTEN OR ORAL. TO THE EXTENT ALLOWED BY LOCAL LAW, ANY IMPLIED WARRANTY OR CONDITION OF MERCHANTABILITY, SATISFACTORY QUALITY, OR FITNESS FOR A PARTICULAR PURPOSE IS LIMITED TO THE DURATION OF THE EXPRESS WARRANTY SET FORTH ABOVE. Some countries/regions, states, or provinces do not allow limitations on the duration of an implied warranty, so the above limitation or exclusion might not apply to you. This warranty gives you specific legal rights and you might also have other rights that vary from country/region to country/region, state to state, or province to province.

HP's limited warranty is valid in any country/region or locality where HP has a support presence for this product and where HP has marketed this product. The level of warranty service you receive may vary according to local standards. HP will not alter form, fit, or function of the product to make it operate in a country/region for which it was never intended to function for legal or regulatory reasons.

TO THE EXTENT ALLOWED BY LOCAL LAW, THE REMEDIES IN THIS WARRANTY STATEMENT ARE YOUR SOLE AND EXCLUSIVE REMEDIES. EXCEPT AS INDICATED ABOVE, IN NO EVENT WILL HP OR ITS SUPPLIERS BE LIABLE FOR LOSS OF DATA OR FOR DIRECT, SPECIAL, INCIDENTAL, CONSEQUENTIAL (INCLUDING LOST PROFIT OR DATA), OR OTHER DAMAGE, WHETHER BASED IN CONTRACT, TORT, OR OTHERWISE. Some countries/regions, states, or provinces do not allow the exclusion or limitation of incidental or consequential damages, so the above limitation or exclusion may not apply to you.

The above warranty is transferable upon sale.

Customer Responsibilities

You may be required to run HP-supplied diagnostic programs before replacement component (e.g., keyboard, monitor, mouse, etc.) is dispatched. You are responsible for the security of your proprietary and confidential information and for maintaining a procedure external to the products for reconstruction of lost or altered files, data, or programs. You should back up all data on your system before calling the HP Customer Care Center. Additionally, the customer is responsible for removing any components that were added after the purchase of the system. HP will not be responsible for components that the customer doesn't remove.

Obtaining Hardware Warranty Repair Service

For the duration of the hardware warranty period, hardware repair service includes Customer-replaceable Parts Service, Send-in Repair Service, and Carry-In Service (ASP Retailer). To obtain hardware warranty service, call HP's Customer Care Center at **1-(800)-474-6836** [1-(800) HP invent] (U.S. and Canada).

Software

Software technical support is defined as assistance with questions and issues about the software that was either preinstalled by HP on the HP Pavilion PC or that was included with the HP Pavilion PC at the time of your purchase or lease of the product. Technical support for software is available for thirty (30) days from date of product purchase or lease. Your dated sales or delivery receipt, showing the date of purchase or lease of the product, is your proof of the purchase or lease date. You may be required to provide proof of purchase or lease as a condition of receiving software technical support. After the first year, technical support for software that was either preinstalled by HP on HP Pavilion PC or included with the HP Pavilion PC at the time of your purchase or lease of the product is available for a fee.

ATTENTION: USE OF THE SOFTWARE IS SUBJECT TO THE HP SOFTWARE LICENSE TERMS SET FORTH BELOW. USING THE SOFTWARE INDICATES YOUR ACCEPTANCE OF THESE LICENSE TERMS. IF YOU DO NOT ACCEPT THESE LICENSE TERMS, YOUR SOLE REMEDY IS TO RETURN THE ENTIRE UNUSED PRODUCT FOR A REFUND WITHIN THE REFUND POLICY OF YOUR PLACE OF PURCHASE.

The HP Software Product License Agreement will govern all Software which is provided to you with the exception of Microsoft Software and any other software governed by its own end user license agreement. Microsoft Products are licensed to you under the Microsoft End User License Agreement (EULA) contained in the Microsoft documentation online. Other software may contain a EULA in its online documentation.

HP SOFTWARE PRODUCT LICENSE AGREEMENT

The following License Terms govern your use of the accompanying Software unless you have a separate signed agreement with HP.

License Grant. HP grants you a license to Use one copy of the Software. "Use" means storing, loading, installing, executing or displaying the Software. You may not modify the Software or disable any licensing or control features of the Software. If the Software is licensed for "concurrent use," you may not allow more than the maximum number of authorized users to Use the Software concurrently.

Ownership. The Software is owned and copyrighted by HP, its subsidiaries, or third party suppliers. Your license confers no title to, or ownership in, the Software and is not a sale of any rights in the Software. HP's third party suppliers may protect their rights in the event of any violation of these License Terms.

Copies and Adaptations. You may only make copies or adaptations of the Software for archival purposes or when copying or adaptation is an essential step in the authorized Use of the Software. You must reproduce all copyright notices in the original Software on all copies or adaptations. You may not copy the Software onto any public network.

If your Computer was shipped with a Recovery CD, (i) the Recovery CD and/or Support Utility software may be used only for restoring the hard disk of the HP computer system with which the Recovery CD originally was provided, and (ii) if separate EULA(s) are included with your Computer for any other Microsoft products which are included on the Recovery CD, those Microsoft products are subject to the terms of their respective EULA(s).

No Disassembly or Decryption. You may not disassemble or decompile the Software unless HP's prior written consent is obtained. In some jurisdictions, HP's consent may not be required for limited disassembly or decompilation. Upon request, you will provide HP with reasonably detailed information regarding any disassembly or decompilation. You may not decrypt the Software unless decryption is a necessary part of the operation of the Software.

NO WARRANTY. The Software is being delivered to you "AS IS" and HP and its suppliers make no warranty as to its use or performance. HP AND ITS SUPPLIERS DO NOT AND CANNOT WARRANT THE PERFORMANCE OR RESULTS YOU MAY OBTAIN BY USING THE SOFTWARE. EXCEPT FOR ANY WARRANTY, CONDITION, REPRESENTATION OR TERM TO THE EXTENT TO WHICH THE SAME CANNOT OR MAY NOT BE EXCLUDED OR LIMITED BY LAW APPLICABLE TO YOU IN YOUR JURISDICTION, HP AND ITS SUPPLIERS MAKE NO WARRANTIES, CONDITIONS, REPRESENTATIONS, OR TERMS (EXPRESS OR IMPLIED WHETHER BY STATUTE, COMMON LAW, CUSTOM, USAGE OR OTHERWISE) AS TO ANY MATTER INCLUDING WITHOUT LIMITATION NONINFRINGEMENT OF THIRD PARTY RIGHTS, MERCHANTABILITY, INTEGRATION, SATISFACTORY QUALITY, OR FITNESS FOR ANY PARTICULAR PURPOSE.

LIMITATION OF LIABILITY. IN NO EVENT WILL HP OR ITS SUPPLIERS BE LIABLE TO YOU FOR ANY DAMAGES, CLAIMS OR COSTS WHATSOEVER OR ANY CONSEQUENTIAL, INDIRECT, INCIDENTAL DAMAGES, OR ANY LOST PROFITS OR LOST SAVINGS, EVEN IF AN HP REPRESENTATIVE HAS BEEN ADVISED OF THE POSSIBILITY OF SUCH LOSS, DAMAGES, CLAIMS OR COSTS OR FOR ANY CLAIM BY ANY THIRD PARTY. THE FOREGOING LIMITATIONS AND EXCLUSIONS APPLY TO THE EXTENT PERMITTED BY APPLICABLE LAW IN YOUR JURISDICTION. HP'S AGGREGATE LIABILITY AND THAT OF ITS SUPPLIERS UNDER OR IN CONNECTION WITH THIS AGREEMENT SHALL BE LIMITED TO THE AMOUNT PAID FOR THE ENTIRE UNIT.

Transfer. Your license will automatically terminate upon any transfer of the Software. Upon transfer, you must deliver the Software, including any copies and related documentation, to the transferee. The transferee must accept these License Terms as a condition to the transfer.

Termination. HP may terminate your license upon notice for failure to comply with any of these License Terms. Upon termination, you must immediately destroy the Software, together with all copies, adaptations and merged portions in any form.

Export Requirements. You may not export or re-export the Software or any copy or adaptation in violation of any applicable laws or regulations.

U.S. Government Restricted Rights. The Software and any accompanying documentation have been developed entirely at private expense. They are delivered and licensed as "commercial computer software" as defined in DFARS 252.227-7013 (Oct 1988), DFARS 252.211-7015 (May 1991) or DFARS 252.227-7014 (Jun 1995), as a "commercial item" as defined in FAR 2.101(a), or as

"Restricted computer software" as defined in FAR 52.227-19 (Jun 1987) (or any equivalent agency regulation or contract clause), whichever is applicable. You have only those rights provided for such Software and any accompanying documentation by the applicable FAR or DFARS clause or the HP standard software agreement for the product involved.

Please check the documentation which came with your PC for the warranty terms for your PC.

(Rev. 070103)

Declaration of Conformity

According to ISO/IEC Guide 22 and EN 45014

Manufacturer's Name: Hewlett-Packard Company
Manufacturer's Address: 10500 Ridgeview Ct.
Cupertino, CA 95015-4010
USA

declares that the product

Product Name: HP Pavilion Multimedia
Personal Computer System
Model Number(s): 100 series, 300 series,
400 series, 500 series,
600 series, 700 series,
800 series, a000 series,
f000 series, and m000 series
Product Options: All

conforms to the following Product Specifications:

Safety: IEC 60950:1991 + A1, A2, A3, A4
EN 60950:1992 + A1, A2, A3, A4, A11
IEC 60825-1:1993 + A1/E 60825-1:1994
+ A11 Class 1 (Laser/LED)

EMC: CISPR 22:1997/EN 55022:1998 Class B¹⁾
CISPR 24:1997/EN 55024:1998

IEC 61000-3-2:1995/EN61000-3-2:1995 +
A14 — Harmonics
IEC 61000-3-3:1994/EN61000-3-3:1995
— Flicker

FCC Title 47 CFR, Part 15 Class B²⁾/
ICES-003, Issue 2
AS/NZS 3548:1995 + A1 +
A2:1997/CISPR 22:1993 +
A1 + A2:1996 Class B¹⁾

Telecom: TBR 21:1998, EG201 121:1998

Supplementary Information:

The product herewith complies with the requirements of the following Directives and carries the CE marking accordingly.

— the R&TTE Directive 1999/5/EC

- 1) The Product was tested in a typical configuration with Hewlett-Packard Personal Computer and peripherals.
- 2) This Device complies with Part 15 of the FCC Rules. Operation is subject to the following two conditions:
(1) this device may not cause harmful interference, and
(2) this device must accept any interference received, including interference that may cause undesired operation.

Hardware Quality Engineering Manager
Cupertino, CA, USA February, 2004

For Regulatory Compliance Information ONLY, contact:

North America

Contact: Hardware Quality Engineering Manager
Hewlett-Packard, CPC
10500 Ridgeview Ct.
Cupertino, CA 95015-4010
USA
(Phone: 408-343-5000)

Operating Specifications

Electrical ratings: 100–127 V_~/200–240 V_~,
4/2 A, 50/60 Hz

Operating temperature: 5° to 35° C
(On models with DVD+RW/+R drives, the operating temperature is 5° to 30° C.)

Storage temperature: –40° to 70° C

Operating humidity: 15 to 80% @ 26° C

Storage humidity: 90% @ 65° C
(non-condensing)

Operating altitude: 0–2286 m

Storage altitude: 0–4572 m



Batteries are delivered with this product. When empty, do not throw them away but collect as small chemical waste.

Bij dit product zijn batterijen geleverd. Wanneer deze leeg zijn, moet u ze niet weggooien maar inleveren als Klein Chemisch Afval (KCA).

Regulatory and Safety Information



WARNING: The HP Pavilion is heavy; be sure to use ergonomically correct lifting procedures when moving the computer.



WARNING: Please read the “Additional Safety Information” located later in this document before installing and connecting your system to the electrical power system.

FCC Regulatory and Safety Information (USA Only)

Federal Communications Commission (FCC) Radio Frequency Interference Statement



WARNING: This equipment has been tested and found to comply with the limits for a Class B digital device, pursuant to Part 15 of the FCC Rules. These limits are designed to provide reasonable protection against harmful interference in a residential installation. This equipment generates, uses, and can radiate radio frequency energy and, if not installed and used in accordance with the instructions, may cause harmful interference to radio communications. However, there is no guarantee that interference will not occur in a particular installation. If this equipment does cause harmful interference to radio or television reception, which can be determined by turning the equipment off and on, the user is encouraged to correct the interference by one or more of the following measures:

- Reorient or relocate the receiving antenna.
- Increase the separation between the equipment and the receiver.
- Connect the equipment into an outlet that is on a circuit different from the receiver.
- Consult the dealer or an experienced radio/TV technician for help.

Hewlett-Packard’s system RFI and Radiated Immunity tests were conducted with HP-supported peripheral devices and HP-shielded cables, such as those you receive with your system. Changes or modifications not expressly approved by Hewlett-Packard could void the user’s authority to operate the equipment. To comply with the limits for an FCC Class B computing device, always use shielded signal cables and the power cord supplied with this unit.

Consumer Information and FCC Requirements

Telephone Connection

- This equipment complies with Part 68 of the Federal Communications Commission rules. These rules permit this device to be directly connected to the telephone network. Standardized jacks are used for these connections. This equipment should not be used on party lines or coin lines.
- If this device is malfunctioning, it may also cause harm to the telephone network; this device should be disconnected until the source of the problem can be determined and until it has been repaired. If this is not done, the telephone company may temporarily disconnect your service.
- The telephone company may make changes in its technical operations and procedures. If such changes affect the compatibility or use of this device, the telephone company is required to give adequate notice of the changes.
- If the telephone company requests information on what equipment is connected to their lines, inform them of:
 - a The telephone number this unit is connected to
 - b The ringer equivalence number
 - c The USOC jack required: RJ-11C
 - d The FCC Registration Number

Items (b) and (c) are indicated on the label. The ringer equivalence number (REN) is used to determine how many devices can be connected to your telephone line. In most areas, the sum of the RENs on any one line should not exceed five (5.0). If too many devices are attached, they may not ring properly.

- In the event of equipment malfunction, Hewlett-Packard or an authorized HP Personal Computer Dealer Repair Center should perform all repairs. It is the responsibility of users requiring service to report the problem to HP's Consumer PC Division, or to one of our authorized agents. Service can be obtained by calling the HP Customer Care Center at 1-800 HP-INVENT.

Statement of Fax Branding

The Consumer Protection Act of 1991 makes it unlawful for any person to use a computer or other electronic device to send any message via telephone fax machine, unless it clearly contains: a margin at the top or bottom of each transmitted page or on the first page of the transmission, the date and time it is sent, identification of the business or other entity, or individual sending the message, the telephone number of the sending machine or such business, entity, or individual.

ENERGY STAR Compliance

Hewlett-Packard Pavilion PCs and Monitors marked with the ENERGY STAR® logo on the packaging box qualify with the U.S. Environmental Protection Agency's ENERGY STAR guidelines for energy efficiency.



Products with the ENERGY STAR label are designed to use less energy, help you save money on utility bills, and help protect the environment.

ENERGY STAR® is a registered trademark owned by the U.S. government.

Canada Department of Communications (DOC) Notice

Telephone Connection

The Canada Department of Communications label identifies certified equipment. This certification means that the equipment meets certain telecommunications network protective, operational, and safety requirements. The department does not guarantee the equipment will operate to the user's satisfaction.

Before installing this equipment, the user should ensure it is permissible to connect it to the facilities of the local communications company. The equipment must be installed using an acceptable method of connection. In some cases, the company's inside wiring associated with a single line individual service may be extended by means of a certified connector assembly (telephone extension cord). The customer should be aware that compliance with the above conditions may not prevent degradation of service in some situations.

Repairs to certified equipment should be made by an authorized Canadian maintenance facility designated by the supplier. Any repairs or alterations made by the user to this equipment, or equipment malfunctions, may give the telecommunications company cause to request that the user disconnect the equipment.

Users should ensure, for their own protection, that the electrical ground connections of the power utility, telephone lines, and internal metallic water pipe systems, if present, are connected together. This precaution may be particularly important in rural areas.



WARNING: Users should not attempt to make such connections themselves, but should contact the appropriate electrical inspection authority or electrician, as appropriate.



WARNING: The Load Number .9 assigned to each terminal device denotes the percentage of the total load to be connected to a telephone loop; this is used by the device to prevent overloading. The termination on a loop may consist of any combination of devices, subject only to the requirement that the sum of the Load Numbers does not exceed 100.



WARNING: When using this device, basic safety precautions should always be followed to reduce the risk of fire, electric shock, and injury to persons, including the following:

- Do not use this product near water; for example, near a bathtub, wash bowl, kitchen sink, or laundry tub, in a wet basement, or near a swimming pool.
- Avoid using this product during an electrical storm. There may be a remote risk of electric shock from lightning.
- Do not use this product to report a gas leak in the vicinity of the leak.
- Always disconnect the modem cable before opening the equipment enclosure or touching an uninsulated modem cable, jack, or internal components.
- If this product was not provided with a telephone line cord, use only No. 26 AWG or larger telecommunication line cord in order to reduce the risk of fire.
- Do not plug a modem or telephone cable into the Network Interface Card (NIC) receptacle.

SAVE THESE INSTRUCTIONS

DOC Statement (Canada Only)

This Class B digital apparatus meets all requirements of the Canadian Interference-Causing Equipment Regulations.

Additional Safety Information

This product has not been evaluated for connection to an "IT" power system (an AC distribution system with no direct connection to earth, according to IEC 60950).

This equipment meets the applicable Industry Canada Terminal Equipment Technical Specifications. This is confirmed by the registration number. The abbreviation, IC, before the registration number signifies that registration was performed based on a Declaration of Conformity indicating that Industry Canada technical specifications were met. It does not imply that Industry Canada approved the equipment.

AC Power Safety Warning



WARNING: Install the computer near an AC outlet. The AC power cord is your HP Pavilion's main AC disconnecting device and must be easily accessible at all times. For your safety, the power cord provided with your system has a grounded plug. Always use the power cord with a properly grounded wall outlet, to avoid the risk of electrical shock.



WARNING: Your system is provided with a voltage select switch for use in a 115 or 230 VAC power system. The voltage select switch has been pre-set to the correct voltage setting for use in the particular country/region where it was initially sold. Changing the voltage select switch to the incorrect position can damage your PC and void any implied warranty.



WARNING: To reduce the possibility of an electric shock from the telephone network, plug your computer into the AC outlet before connecting it to the telephone line. Also, disconnect the telephone line before unplugging your computer from the AC power outlet.



WARNING: Always disconnect the modem cord from the telephone system before installing or removing your computer cover.



WARNING: Do not operate the computer with the cover removed.



WARNING: For your safety, always unplug the system from its power source and from any telecommunications systems (such as phone lines), networks, or modems before performing any of the procedures described in this guide. Failure to do so may result in personal injury or equipment damage. Hazardous voltage levels are inside the power supply and modem of this product.

Lithium Battery Caution



WARNING: The PC uses a lithium battery, type CR2032. There is danger of an explosion if the battery is incorrectly replaced. Replace only with the same, or equivalent, type recommended by the manufacturer. Dispose of used batteries according to the manufacturer's instructions.

Laser Safety Statement Class 1 LED Product

The CD-ROM and DVD-ROM drives contain a laser system and are classified as a "Class 1 Laser Product" under a U.S. Department of Health and Human Services (DHHS) Radiation Performance standard according to the Radiation Control for Health and Safety Act of 1968.

Should the unit ever require maintenance, contact an authorized service location.



WARNING: Use of controls, adjustments, or performance procedures other than those specified in the *User's Guide* may result in hazardous radiation exposure. To prevent direct exposure to laser beam, do not try to open the enclosure of the CD-ROM or DVD-ROM.

Laser Product Label

The following label or equivalent is located on the surface of HP laser products:



This label indicates that the product is classified as a CLASS 1 LASER PRODUCT. This label appears on a laser device installed in your product.

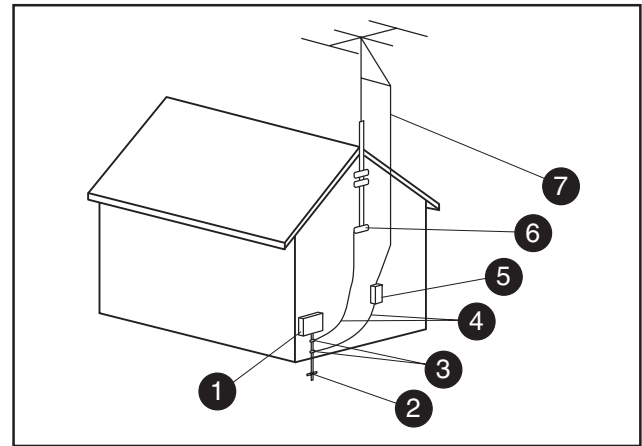
TV Antenna Connectors Protection

External Television Antenna Grounding

If an outside antenna or cable system is connected to the product, be sure the antenna or cable system is electrically grounded so as to provide some protection against voltage surges and built-up static charges. Article 810 of the National Electrical Code, ANSI/NFPA 70, provides information with regard to proper electrical grounding of the mast and supporting structure, grounding of the lead-in wire to an antenna-discharge unit, size of grounding conductors, location of antenna-discharge unit, connection to grounding electrodes, and requirements for the grounding electrode.

Lightning Protection

For added protection of any Hewlett-Packard product during a lightning storm, or when it is left unattended and unused for long periods of time, unplug the product from the wall outlet and disconnect the antenna or cable system. This will prevent damage to the product from lightning and power line surges.



Antenna Grounding

Antenna Grounding

Reference	Grounding Component
1	Electric Service Equipment
2	Power Service Grounding Electrode System (NEC Art 250, Part H)
3	Ground Clamps
4	Grounding Conductors (NEC Section 810-21)
5	Antenna Discharge Unit (NEC Section 810-20)
6	Ground Clamp
7	Antenna Lead in Wire

Power Lines

An outside antenna system should not be located in the vicinity of overhead power lines or other electric light or power circuits, or where it can fall into such power lines or circuits.



WARNING: When installing an outside antenna system, extreme care should be taken to keep from touching such power lines or circuits as contact with them could be fatal.

© 2003 Hewlett-Packard Development Company, L.P.

Printed in

