



# **Maintenance and Service Guide**

HP Pavilion Widescreen

Notebook zt3000

HP Compaq Business Notebook nx7000

Compaq Presario Widescreen

Notebook PC X1000

Document Part Number: 325388-003

March 2004

This guide is a troubleshooting reference used for maintaining and servicing the notebook. It provides comprehensive information on identifying notebook features, components, and spare parts, troubleshooting notebook problems, and performing notebook disassembly procedures.

© Copyright 2003, 2004 Hewlett-Packard Development Company, L.P.

Microsoft and Windows are U.S. registered trademarks of Microsoft Corporation. Intel, Pentium, and Celeron are trademarks or registered trademarks of Intel Corporation or its subsidiaries in the United States and other countries. SD Logo is a trademark of its proprietor. Bluetooth is a trademark owned by its proprietor and used by Hewlett-Packard Company under license.

The information contained herein is subject to change without notice. The only warranties for HP products and services are set forth in the express warranty statements accompanying such products and services. Nothing herein should be construed as constituting an additional warranty. HP shall not be liable for technical or editorial errors or omissions contained herein.

#### Maintenance and Service Guide

HP Pavilion Widescreen Notebook zt3000

HP Compaq Business Notebook nx7000

Compaq Presario Widescreen Notebook PC X1000

Third Edition March 2004

First Edition 2003

Reference Number: 325388-003

---

# Contents

## 1 Product Description

|                                   |      |
|-----------------------------------|------|
| 1.1 Models . . . . .              | 1–2  |
| 1.2 Features . . . . .            | 1–25 |
| 1.3 Clearing a Password . . . . . | 1–27 |
| 1.4 Power Management . . . . .    | 1–27 |
| 1.5 External Components . . . . . | 1–28 |
| 1.6 Design Overview . . . . .     | 1–38 |

## 2 Troubleshooting

|   |      |
|---|------|
| 2.1 Computer Setup and Diagnostics Utilities . . . . .                    | 2–2  |
| Using Computer Setup . . . . .  | 2–2  |
| Selecting from the File Menu . . . . .                                    | 2–3  |
| Selecting from the Security Menu . . . . .                                | 2–4  |
| Selecting from the Advanced Menu . . . . .                                | 2–5  |
| 2.2 Troubleshooting Flowcharts . . . . .                                  | 2–7  |
| Flowchart 2.1—Initial Troubleshooting . . . . .                           | 2–8  |
| Flowchart 2.2—No Power, Part 1 . . . . .                                  | 2–9  |
| Flowchart 2.3—No Power, Part 2 . . . . .                                  | 2–10 |
| Flowchart 2.4—No Power, Part 3 . . . . .                                  | 2–11 |
| Flowchart 2.5—No Power, Part 4 . . . . .                                  | 2–12 |
| Flowchart 2.6—No Video, Part 1 . . . . .                                  | 2–13 |
| Flowchart 2.7—No Video, Part 2 . . . . .                                  | 2–14 |
| Flowchart 2.8—Nonfunctioning Port Replicator<br>(if applicable) . . . . . | 2–15 |
| Flowchart 2.9—No Operating System (OS)<br>Loading . . . . .               | 2–16 |

---

|  |      |
|--|------|
| Flowchart 2.10—No OS Loading, Hard Drive,<br>Part 1 . . . . .      | 2–17 |
| Flowchart 2.11—No OS Loading, Hard Drive,<br>Part 2 . . . . .      | 2–18 |
| Flowchart 2.12—No OS Loading, Hard Drive,<br>Part 3 . . . . .      | 2–19 |
| Flowchart 2.13—No OS Loading, CD-ROM or<br>DVD-ROM Drive . . . . . | 2–20 |
| Flowchart 2.14—No Audio, Part 1 . . . . .                          | 2–21 |
| Flowchart 2.15—No Audio, Part 2 . . . . .                          | 2–22 |
| Flowchart 2.16—Nonfunctioning Device . . . . .                     | 2–23 |
| Flowchart 2.17—Nonfunctioning Keyboard . . . . .                   | 2–24 |
| Flowchart 2.18—Nonfunctioning Pointing<br>Device . . . . .         | 2–25 |
| Flowchart 2.19—No Network/Modem<br>Connection . . . . .            | 2–26 |

### **3 Illustrated Parts Catalog**

|   |      |
|---|------|
| 3.1 Serial Number Location . . . . .                    | 3–1  |
| 3.2 Notebook Major Components . . . . .                 | 3–2  |
| 3.3 Miscellaneous Plastics Kit Components . . . . .     | 3–14 |
| 3.4 Miscellaneous Cable Kit Components . . . . .        | 3–16 |
| 3.5 Miscellaneous Doors/Covers Kit Components . . . . . | 3–17 |
| 3.6 Mass Storage Devices . . . . .                      | 3–18 |
| 3.7 Miscellaneous . . . . .                             | 3–19 |

### **4 Removal and Replacement Preliminaries**

|   |     |
|---|-----|
| 4.1 Tools Required . . . . .                        | 4–1 |
| 4.2 Service Considerations . . . . .                | 4–2 |
| Plastic Parts . . . . .                             | 4–2 |
| Cables and Connectors . . . . .                     | 4–2 |
| 4.3 Preventing Damage to Removable Drives . . . . . | 4–3 |

---

|  |     |
|--|-----|
| 4.4 Preventing Electrostatic Damage . . . . .        | 4-4 |
| 4.5 Packaging and Transporting Precautions . . . . . | 4-4 |
| 4.6 Workstation Precautions . . . . .                | 4-5 |
| 4.7 Grounding Equipment and Methods . . . . .        | 4-6 |

## **5 Removal and Replacement Procedures**

|  |      |
|--|------|
| 5.1 Serial Number . . . . .                          | 5-2  |
| 5.2 Disassembly Sequence Chart . . . . .             | 5-3  |
| 5.3 Preparing the Notebook for Disassembly . . . . . | 5-4  |
| 5.4 Notebook Feet . . . . .                          | 5-8  |
| 5.5 Memory Module . . . . .                          | 5-9  |
| 5.6 Mini PCI Communications Board . . . . .          | 5-11 |
| 5.7 RTC Battery . . . . .                            | 5-13 |
| 5.8 Optical Drive . . . . .                          | 5-14 |
| 5.9 Keyboard . . . . .                               | 5-15 |
| 5.10 Switch Cover . . . . .                          | 5-19 |
| 5.11 Speaker Cover . . . . .                         | 5-20 |
| 5.12 Fan . . . . .                                   | 5-22 |
| 5.13 Heat Sink . . . . .                             | 5-23 |
| 5.14 Processor . . . . .                             | 5-25 |
| 5.15 Display Assembly . . . . .                      | 5-27 |
| 5.16 Top Cover . . . . .                             | 5-31 |
| 5.17 Bluetooth Board . . . . .                       | 5-37 |
| 5.18 SD Card Slot Board and Cable . . . . .          | 5-39 |
| 5.19 VGA Board and Shield . . . . .                  | 5-41 |
| 5.20 Modem and Cable . . . . .                       | 5-44 |
| 5.21 System Board . . . . .                          | 5-46 |

## **6 Specifications**

---

## **A Connector Pin Assignments**

## **B Power Cord Set Requirements**

|   |     |
|---|-----|
| 3-Conductor Power Cord Set . . . . .    | B-1 |
| General Requirements . . . . .          | B-2 |
| Country-Specific Requirements . . . . . | B-2 |

## **C Screw Listing**

## **Index**

---

## Product Description

The HP Pavilion Widescreen Notebook zt3000, the HP Compaq Business Notebook nx7000, and the Compaq Presario Widescreen Notebook PC X1000 offer advanced modularity, a Intel® Pentium® M or Intel Celeron® M processor with 64-bit architecture, industry-leading ATI MOBILITY RADEON Accelerated Graphics Port (AGP) implementation, and extensive multimedia support.



*HP Pavilion Widescreen Notebook zt3000,  
HP Compaq Business Notebook nx7000, and  
Compaq Presario Widescreen Notebook PC X1000*

# 1.1 Models

Notebook models are shown in Tables 1-1 through 1-4.

**Table 1-1**

**HP Pavilion zt3000, HP Compaq nx7000,  
and Compaq Presario X1000**

**Model Naming Conventions**

**Key**

|   |   |     |    |    |   |    |    |   |              |
|---|---|-----|----|----|---|----|----|---|--------------|
| C | P | 170 | Y5 | 80 | y | Ci | 10 | p | XXXXXXXX-XXX |
| 1 | 2 | 3   | 4  | 5  | 6 | 7  | 8  | 9 | 10           |

| Key | Description                  | Options  |                           |
|-----|------------------------------|--|---------------------------|
| 1   | Brand/Series designator      | V = HP Pavilion zt3000<br>C = HP Compaq nx7000   | P = Compaq Presario X1000 |
| 2   | Processor type               | P = Intel Pentium M, C = Intel Celeron M   |                           |
| 3   | Processor speed              | 120 = 1.2 GHz, 130 = 1.3 GHz, 140 = 1.4 GHz, 150 = 1.5 GHz, 160 = 1.6 GHz, 170 = 1.7 GHz, 180 = 1.8 GHz, 200 = 2.0 GHz |                           |
| 4   | Display type/size/resolution | Z = wide UXGA (1920 × 1200)<br>Y = wide SXGA+ (1680 × 1050)<br>W = wide XGA (1280 × 800)                               | 5 = 15.4 in               |
| 5   | Hard drive size              | 40 = 40 GB<br>60 = 60 GB   | 80 = 80 GB                |



Table 1-1

**HP Pavilion zt3000, HP Compaq nx7000,  
and Compaq Presario X1000**

**Model Naming Conventions (*Continued*)**

|    |  |  |                             |
|----|--|--|-----------------------------|
| 6  | Optical drive designator                 | C = CD-ROM Drive<br>D = DVD-ROM Drive<br>Y = DVD+RW/R & CD-RW Combo Drive                              | W = DVD/CD-RW Combo Drive   |
| 7  | Integrated communication/wireless device | C = combination LAN/modem, b = 802.11b, i = 802.11b + Bluetooth®, g = 802.11g, j = 802.11g + Bluetooth |                             |
| 8  | RAM                                      | 10 = 1024 MB<br>51 = 512 M   | 25 = 256 MB<br>20 = 2048 MB |
| 9  | Operating system                         | H = Microsoft® Windows® XP Home<br>P = Windows XP Pro  |                             |
| 10 | SKU#                                     |  |                             |

**Table 1-2**

**HP Pavilion zt3000 Models**

All HP Pavilion zt3000 models feature:

- TouchPad pointing device
- 8-cell, 4.4-wH lithium ion (Li-Ion) battery pack
- 1-year warranty on parts and labor

|                       |   |     |                                 |    |   |             |    |            |  |
|-----------------------|---|-----|---------------------------------|----|---|-------------|----|------------|--|
| V                     | P | 170 | Y5                              | 80 | Y | Cb          | 51 | H          |  |
| Asia Pacific          |   |     | dr255a uuf                      |    |   |             |    |            |  |
| V                     | P | 160 | y5                              | 80 | y | Cb          | 51 | h          |  |
| Asia Pacific          |   |     | dr260a uuf                      |    |   |             |    |            |  |
| V                     | P | 160 | y5                              | 80 | y | Cb          | 25 | h          |  |
| Taiwan                |   |     | dr253a ab0<br>and<br>dr258a ab0 |    |   |             |    |            |  |
| V                     | P | 160 | Y5                              | 80 | W | Ci          | 51 | P          |  |
| Korea                 |   |     | dr248a ab1                      |    |   |             |    |            |  |
| V                     | P | 160 | Y5                              | 60 | Y | Ci          | 51 | H          |  |
| Hong Kong             |   |     | DR249a ab5                      |    |   | Thailand    |    | dr250a akl |  |
| V                     | P | 160 | Y5                              | 60 | y | Ci          | 51 | P          |  |
| Australia/New Zealand |   |     | DR244A ABG                      |    |   |             |    |            |  |
| V                     | P | 160 | Y5                              | 60 | W | Ci          | 51 | P          |  |
| Korea                 |   |     | dr247a ab1                      |    |   |             |    |            |  |
| V                     | P | 160 | Y5                              | 40 | W | Cb          | 25 | H          |  |
| Asia Pacific          |   |     | dr254a uuf                      |    |   | Taiwan      |    | dr256a ab0 |  |
| v                     | p | 160 | w5                              | 60 | y | Cb          | 51 | h          |  |
| Greece                |   |     | dp778e ab7                      |    |   | Switzerland |    | dp778e uuz |  |

Table 1-2

## HP Pavilion zt3000 Models (Continued)

|                            |   |     |            |    |   |                 |    |            |            |
|----------------------------|---|-----|------------|----|---|-----------------|----|------------|------------|
| V                          | P | 160 | w5         | 60 | w | Cb              | 51 | H          |            |
| Hong Kong                  |   |     | dr257a ab5 |    |   | Thailand        |    |            | dr257a akl |
| V                          | P | 150 | Y5         | 40 | W | Ci              | 25 | P          |            |
| People's Republic of China |   |     | DR245A AB2 |    |   |                 |    |            |            |
| v                          | p | 150 | w5         | 80 | y | Cb              | 51 | h          |            |
| United States              |   |     | dm779a aba |    |   |                 |    |            |            |
| v                          | p | 150 | w5         | 60 | y | Cb              | 51 | h          |            |
| United States              |   |     | dm778a aba |    |   |                 |    |            |            |
| v                          | p | 150 | w5         | 40 | y | Cb              | 51 | h          |            |
| Switzerland                |   |     | dp777e uuz |    |   |                 |    |            |            |
| V                          | P | 150 | W5         | 40 | y | Cb              | 25 | H          |            |
| Taiwan                     |   |     | dr252a ab0 |    |   |                 |    |            |            |
| V                          | P | 150 | w5         | 40 | y | Cn              | 51 | P          |            |
| Australia/New Zealand      |   |     | DR243A ABG |    |   |                 |    |            |            |
| V                          | P | 150 | w5         | 40 | w | Cb              | 51 | H          |            |
| Denmark                    |   |     | dp779e aby |    |   | The Netherlands |    | dp783e abh |            |
| Europe                     |   |     | dp779e abb |    |   | Saudi Arabia    |    | dp779e abv |            |
| Germany                    |   |     | dp782e abd |    |   | Spain           |    | dp779e abe |            |
| Italy                      |   |     | dp779e abz |    |   | United Kingdom  |    | dp779e abu |            |
| V                          | P | 150 | w5         | 40 | w | Cb              | 25 | h          |            |
| Asia Pacific               |   |     | dr259a uuf |    |   |                 |    |            |            |
| V                          | p | 140 | w5         | 80 | y | Cb              | 51 | p          |            |
| Latin America              |   |     | dr205a abm |    |   |                 |    |            |            |

**Table 1-2**

**HP Pavilion zt3000 Models (Continued)**

|                       |   |     |            |    |   |                |    |            |  |
|-----------------------|---|-----|------------|----|---|----------------|----|------------|--|
| V                     | P | 160 | W5         | 60 | W | Cg             | 51 | H          |  |
| United States         |   |     | DZ757A ABA |    |   |                |    |            |  |
| V                     | p | 140 | w5         | 40 | y | Cb             | 51 | h          |  |
| France                |   |     | dp786e abf |    |   |                |    |            |  |
| V                     | p | 140 | w5         | 40 | w | Cb             | 51 | h          |  |
| France                |   |     | dp784e abf |    |   |                |    |            |  |
| Norway                |   |     | dp785e abn |    |   |                |    |            |  |
| Germany               |   |     | dm781e abd |    |   |                |    |            |  |
| United States         |   |     | dm783a aba |    |   |                |    |            |  |
| V                     | p | 140 | w5         | 40 | w | Cb             | 51 | p          |  |
| Latin America         |   |     | dr204a abm |    |   |                |    |            |  |
| V                     | P | 140 | W5         | 40 | W | Cb             | 25 | H          |  |
| Belgium               |   |     | dp776e uug |    |   | Norway         |    | dp776e abn |  |
| Denmark               |   |     | dp776e aby |    |   | Portugal       |    | DP776E AB9 |  |
| France                |   |     | dp776e abf |    |   | Saudi Arabia   |    | dp776e abv |  |
| Europe                |   |     | dp776e abb |    |   | Spain          |    | dp776e abe |  |
| Greece                |   |     | dp776e ab7 |    |   | Switzerland    |    | dp776e uuz |  |
| Italy                 |   |     | dp776e abz |    |   | United Kingdom |    | dp776e abu |  |
| The Netherlands       |   |     | dp776e abh |    |   | United States  |    | dp479u aba |  |
| V                     | p | 140 | W5         | 40 | w | Ci             | 25 | P          |  |
| Korea                 |   |     | dr246a ab1 |    |   |                |    |            |  |
| V                     | p | 140 | W5         | 40 | w | Cn             | 25 | P          |  |
| Australia/New Zealand |   |     | DR242A ABG |    |   |                |    |            |  |
| V                     | P | 140 | W5         | 40 | D | Cb             | 25 | H          |  |
| Taiwan                |   |     | dr251a ab0 |    |   |                |    |            |  |

Table 1-3

## HP Compaq nx7000 Models

All HP Compaq nx7000 models feature:

- TouchPad pointing device
- 8-cell, 4.4-wH Li-Ion battery pack
- 1-year warranty on parts and labor

|                        |   |     |            |    |   |                |    |            |  |
|------------------------|---|-----|------------|----|---|----------------|----|------------|--|
| C                      | p | 160 | y5         | 80 | w | Cb             | 51 | p          |  |
| Korea                  |   |     | dm942a ab1 |    |   |                |    |            |  |
| C                      | p | 160 | y5         | 60 | y | Ci             | 51 | p          |  |
| France                 |   |     | dg706t abf |    |   |                |    |            |  |
| C                      | p | 160 | y5         | 60 | w | Cb             | 51 | p          |  |
| Belgium                |   |     | DG706a uug |    |   | Norway         |    | DG706a abn |  |
| Czech Republic         |   |     | DG706a akb |    |   | Poland         |    | DG706a akd |  |
| Denmark                |   |     | DG706a aby |    |   | Portugal       |    | DG706a ab9 |  |
| European International |   |     | DG706a abb |    |   | Russia         |    | DG706a acb |  |
| France                 |   |     | DG706a abf |    |   | Saudi Arabia   |    | DG706a abv |  |
| Germany                |   |     | DG706a abd |    |   | Slovenia       |    | DG706a akn |  |
| Greece                 |   |     | DG706a ab7 |    |   | Spain          |    | DG706a abe |  |
| Hungary                |   |     | DG706a akc |    |   | Sweden/Finland |    | DG706a ak8 |  |
| Israel                 |   |     | DG706a abt |    |   | Switzerland    |    | DG706a uuz |  |
| Italy                  |   |     | dg706a abz |    |   | Turkey         |    | DG706a ab8 |  |
| Japan                  |   |     | dm436a abj |    |   | United Kingdom |    | DG706a abu |  |
| The Netherlands        |   |     | dg706a abh |    |   |                |    |            |  |
| c                      | p | 160 | y5         | 60 | w | Ci             | 51 | p          |  |
| Hong Kong              |   |     | dr758p ab5 |    |   |                |    |            |  |
| c                      | p | 160 | w5         | 80 | w | Cb             | 51 | h          |  |
| Taiwan                 |   |     | dr749p ab0 |    |   |                |    |            |  |

**Table 1-3**

**HP Compaq nx7000 Models (Continued)**

|   |   |     |   |    |   |   |    |  |  |
|---|---|-----|---|----|---|---|----|--|--|
| c   | p | 160 | w5  | 80 | w | Cb  | 51 | p  |  |
| Asia Pacific<br>Taiwan                      |   |     | dr752p uuf<br>dr748p ab0                                    |    |   | Thailand  |    | dr752p akl   |  |
| C   | p | 160 | w5  | 60 | y | Cb  | 51 | p  |  |
| Thailand                                    |   |     | dm434a akl  |    |   |   |    |  |  |
| C   | p | 160 | w5  | 60 | w | Cb  | 51 | p  |  |
| Asia Pacific<br><br>Brazil<br>French Canada |   |     | dm945a uuf<br>and<br>DL855A UUF<br>dl855a ac4<br>dl855a abc |    |   | Japan<br>Latin America<br>Thailand<br>United States |    | dl855a abj<br>dl855a abm<br>dm945a akl<br>dl855a aba |  |
| c   | p | 160 | w5  | 40 | d | Cb  | 25 | p  |  |
| Taiwan                                      |   |     | dn896a ab0  |    |   | People's Republic<br>of China                       |    | ds303p ab2   |  |
| C   | p | 160 | w5  | 40 | d | CN  | 25 | P  |  |
| Latin America                               |   |     | dp093a abm  |    |   | United States                                       |    | dp093a aba   |  |
| c   | p | 150 | y5  | 80 | w | Cb  | 51 | p  |  |
| Australia                                   |   |     | dr764p abg  |    |   |   |    |  |  |
| c   | p | 150 | y5  | 80 | w | Ci  | 51 | p  |  |
| Australia                                   |   |     | dr760p abg  |    |   |   |    |  |  |
| C   | P | 150 | y5  | 60 | w | Cb  | 51 | p  |  |
| Asia Pacific                                |   |     | dn894a uuf  |    |   | Korea   |    | dm941a ab1   |  |
| c   | p | 150 | y5  | 60 | w | Cb  | 25 | p  |  |
| Hong Kong                                   |   |     | dr757p ab5  |    |   |   |    |  |  |
| C   | P | 150 | Y5  | 60 | W | Ci  | 25 | P  |  |
| Hong Kong                                   |   |     | ds304p ab5  |    |   |   |    |  |  |

Table 1-3

## HP Compaq nx7000 Models (Continued)

| c                     | p | 150 | y5         | 40  | w | Cb             | 25 | p          |     |
|-----------------------|---|-----|------------|-----|---|----------------|----|------------|-----|
| Australia             |   |     |            |     |   | dr762p abg     |    |            |     |
| c                     | p | 150 | y5         | 40  | w | Ci             | 51 | h          |     |
| Europe                |   |     |            |     |   | dj223s abb     |    |            |     |
| C                     | p | 150 | y5         | 40  | w | Ci             | 51 | p          |     |
| Belgium               |   |     | DG705a     | uug |   | Norway         |    | DG705a     | abn |
| Czech Republic        |   |     | DG705a     | akb |   | Poland         |    | DG705a     | akd |
| Denmark               |   |     | DG705a     | aby |   | Portugal       |    | DG705a     | ab9 |
| Europe                |   |     | DG705a     | abb |   | Russia         |    | DG705a     | acb |
| France                |   |     | DG705a     | abf |   | Saudi Arabia   |    | DG705a     | abv |
|                       |   |     | and        |     |   | Slovenia       |    | DG705a     | akn |
|                       |   |     | dg705t     | abf |   | Spain          |    | DG705a     | abe |
| Germany               |   |     | DG705a     | abd |   |                |    | and        |     |
|                       |   |     | and        |     |   |                |    | dg705t     | abe |
|                       |   |     | dg705t     | abd |   | Sweden/Finland |    | DG705a     | ak8 |
| Greece                |   |     | DG705a     | ab7 |   | Switzerland    |    | DG705a     | uuz |
| Hungary               |   |     | DG705a     | akc |   | Turkey         |    | DG705a     | ab8 |
| Israel                |   |     | DG705a     | abt |   | United Kingdom |    | DG705a     | abu |
| Italy                 |   |     | dg705a     | abz |   |                |    | and        |     |
| The Netherlands       |   |     | DG705a     | abh |   |                |    | dg705t     | abu |
| C                     | p | 150 | y5         | 40  | w | Ci             | 25 | p          |     |
| Italy                 |   |     |            |     |   | dj218s abz     |    |            |     |
| C                     | p | 150 | y5         | 40  | c | Cb             | 51 | p          |     |
| Korea                 |   |     |            |     |   | dm940a ab1     |    |            |     |
| C                     | p | 150 | w5         | 80  | w | Cb             | 51 | h          |     |
| Asia Pacific          |   |     | dl848a uuf |     |   | Korea          |    | dl848a ab1 |     |
| Australia/New Zealand |   |     | dl848a abg |     |   | Taiwan         |    | dl850a ab0 |     |
| Japan                 |   |     | dl848a abj |     |   | Thailand       |    | dl848a ak1 |     |

**Table 1-3**

**HP Compaq nx7000 Models (Continued)**

|                            |   |     |   |    |   |           |    |            |  |
|----------------------------|---|-----|---|----|---|-----------|----|------------|--|
| C                          | p | 150 | w5  | 80 | w | Cb        | 51 | p          |  |
| Asia Pacific               |   |     | dl847a uuf                                      |    |   | Korea     |    | dl847a ab1 |  |
| Australia/New Zealand      |   |     | dl847a abg                                      |    |   | Taiwan    |    | dl849a ab0 |  |
| Japan                      |   |     | dl847a abj                                      |    |   | Thailand  |    | dl847a akl |  |
| C                          | P | 150 | W5  | 80 | W | Cb        | 25 | P          |  |
| Asia Pacific               |   |     | DM943A UUF                                      |    |   |           |    |            |  |
| c                          | p | 150 | w5  | 60 | w | Cb        | 25 | h          |  |
| Taiwan                     |   |     | dr747p ab0                                      |    |   |           |    |            |  |
| c                          | p | 150 | w5  | 60 | w | Cb        | 25 | p          |  |
| People's Republic of China |   |     | ds302p ab2                                      |    |   | Taiwan    |    | dr746p ab0 |  |
| C                          | p | 150 | w5  | 40 | w | Cb        | 51 | h          |  |
| Switzerland                |   |     | dj169s uuz                                      |    |   |           |    |            |  |
| C                          | P | 150 | W5  | 40 | W | Cb        | 51 | P          |  |
| Asia Pacific               |   |     | DN728A UUF                                      |    |   |           |    |            |  |
| C                          | P | 150 | W5  | 40 | W | Cb        | 25 | P          |  |
| Asia Pacific               |   |     | DM944A UUF                                      |    |   | Australia |    | ds312p abg |  |
| C                          | p | 150 | w5  | 40 | d | Cb        | 25 | h          |  |
| Taiwan                     |   |     | dl842a ab0                                      |    |   |           |    |            |  |
| c                          | p | 150 | w5  | 40 | d | Cb        | 25 | p          |  |
| People's Republic of China |   |     | dq885p ab2,<br>dl838a ab2,<br>and<br>ds301p ab2 |    |   |           |    |            |  |



Table 1-3

## HP Compaq nx7000 Models (Continued)

|                       |   |     |            |    |   |           |    |            |  |
|-----------------------|---|-----|------------|----|---|-----------|----|------------|--|
| c                     | p | 140 | y5         | 60 | w | Cb        | 25 | p          |  |
| Australia             |   |     | dr759p abg |    |   |           |    |            |  |
| C                     | p | 140 | y5         | 40 | w | Cb        | 51 | p          |  |
| Korea                 |   |     | dm939a ab1 |    |   |           |    |            |  |
| c                     | p | 140 | y5         | 40 | w | Cb        | 25 | p          |  |
| Australia             |   |     | dr763p abg |    |   | Hong Kong |    | dr756p ab5 |  |
| c                     | p | 140 | y5         | 40 | d | Cb        | 25 | p          |  |
| Australia             |   |     | dr761p abg |    |   |           |    |            |  |
| c                     | p | 140 | y5         | 30 | w | Cb        | 25 | h          |  |
| Hong Kong             |   |     | dr755p ab5 |    |   |           |    |            |  |
| C                     | p | 140 | w5         | 60 | w | Cb        | 51 | h          |  |
| Sweden                |   |     | dj200s ak8 |    |   |           |    |            |  |
| C                     | p | 140 | w5         | 60 | w | Cb        | 25 | h          |  |
| Asia Pacific          |   |     | dl844a uuf |    |   | Korea     |    | dl844a ab1 |  |
| Australia/New Zealand |   |     | dl844a abg |    |   | Taiwan    |    | dl846a ab0 |  |
| Hong Kong             |   |     | dm437a ab5 |    |   | Thailand  |    | dl844a ak1 |  |
| Japan                 |   |     | dl844a abj |    |   |           |    |            |  |
| C                     | p | 140 | w5         | 60 | w | Cb        | 25 | p          |  |
| Asia Pacific          |   |     | dl843a uuf |    |   | Korea     |    | dl843a ab1 |  |
| Australia/New Zealand |   |     | dl843a abg |    |   | Taiwan    |    | dl845a ab0 |  |
| Japan                 |   |     | dl843a abj |    |   | Thailand  |    | dl843a ak1 |  |
| C                     | p | 140 | w5         | 60 | w | Ci        | 51 | p          |  |
| Asia Pacific          |   |     | dl853a uuf |    |   | Hong Kong |    | dl853a abf |  |
| c                     | p | 140 | w5         | 60 | w | Nb        | 51 | h          |  |
| Europe                |   |     | dq822c abb |    |   |           |    |            |  |

**Table 1-3**

**HP Compaq nx7000 Models (Continued)**

|                |   |     |   |    |   |                 |    |            |            |
|----------------|---|-----|---|----|---|-----------------|----|------------|------------|
| C              | p | 140 | w5  | 40 | w | Cb              | 25 | h          |            |
| Japan          |   |     | dm435a abj                                      |    |   | Taiwan          |    |            | dr750p ab0 |
| C              | p | 140 | w5  | 40 | w | Cb              | 25 | p          |            |
| Thailand       |   |     | dm433a akl                                      |    |   |                 |    |            |            |
| C              | P | 150 | W5  | 40 | W | Cj              | 25 | P          |            |
| Euro           |   |     | DZ747A ABB                                      |    |   | Cj              | 25 | P          |            |
| C              | P | 160 | W5  | 80 | W | Cb              | 51 | P          |            |
| Thailand       |   |     | DX917P AB0                                      |    |   |                 |    |            |            |
| C              | P | 160 | Y5  | 60 | w | Ci              | 25 | H          |            |
| Korea          |   |     | DV445PAb1                                       |    |   |                 |    |            |            |
| C              | p | 140 | w5  | 40 | w | Ci              | 51 | h          |            |
| Germany        |   |     | dj202s abd                                      |    |   |                 |    |            |            |
| C              | p | 140 | w5  | 40 | w | Ci              | 25 | p          |            |
| Belgium        |   |     | DG704a uug<br>and<br>DG704T UUG                 |    |   | Italy           |    | dg704a abz |            |
| Czech Republic |   |     | DG704a akb                                      |    |   | The Netherlands |    | dg704a abh |            |
| Denmark        |   |     | DG704a aby                                      |    |   | Norway          |    | DG704a abn |            |
| Europe         |   |     | DG704a abb                                      |    |   | Poland          |    | DG704a akd |            |
| France         |   |     | DG704a abf,<br>DG704T ABF,<br>and<br>Dj231s abf |    |   | Portugal        |    | DG704a ab9 |            |
| Germany        |   |     | DG420a abd                                      |    |   | Russia          |    | DG704a acb |            |
| Greece         |   |     | DG704a ab7                                      |    |   | Saudi Arabia    |    | DG704a abv |            |
| Hungary        |   |     | DG704a akc                                      |    |   | Slovenia        |    | DG704a akn |            |
| Israel         |   |     | DG704a abt                                      |    |   | Spain           |    | DG704a abe |            |
|                |   |     |   |    |   | Sweden/Finland  |    | DG704a ak8 |            |
|                |   |     |   |    |   | Switzerland     |    | DG704a uuz |            |
|                |   |     |   |    |   | Turkey          |    | DG704a ab8 |            |
|                |   |     |   |    |   | United Kingdom  |    | DG704a abu |            |

Table 1-3

## HP Compaq nx7000 Models (Continued)

|   |   |     |   |    |   |                                |    |   |  |
|---|---|-----|---|----|---|--------------------------------|----|---|--|
| C   | p | 140 | w5  | 40 | w | Cn                             | 25 | p   |  |
| Brazil<br>Latin America   |   |     | dp094a ac4<br>dp094a abm  |    |   | United States                  |    | dp094a aba                                    |  |
| C   | p | 140 | w5  | 40 | d | Cb                             | 51 | p   |  |
| Brazil<br>French Canada   |   |     | dl854a ac4<br>dl854a abc  |    |   | Latin America<br>United States |    | dl854a abm<br>dl854a aba<br>and<br>dp076c aba |  |
| c   | p | 140 | w5  | 40 | d | Cb                             | 25 | h   |  |
| Hong Kong   |   |     | dr754p ab5  |    |   | Taiwan                         |    | dr745p ab0                                    |  |
| C   | p | 140 | w5  | 40 | d | Cb                             | 25 | p   |  |
| Asia Pacific<br>Australia<br>Korea<br>People's Republic<br>of China |   |     | DM438A UUF<br>ds311p abg<br>dm938a ab1<br>dl837a ab2<br>and<br>DM438A AB2 |    |   | Taiwan<br><br>Thailand         |    | dr744p ab0<br>and<br>dr751p ab0<br>DM438A AKL |  |
| C   | p | 140 | w5  | 40 | c | Cb                             | 25 | p   |  |
| Asia Pacific  |   |     | dr850p uuf  |    |   | Korea                          |    | dm937a ab1                                    |  |
| c   | p | 140 | w5  | 30 | d | Cb                             | 25 | h   |  |
| Hong Kong   |   |     | dr753p ab5  |    |   |                                |    |   |  |
| C   | p | 130 | y5  | 80 | w | Cb                             | 51 | p   |  |
| United States   |   |     | dp113s aba  |    |   |                                |    |   |  |
| C   | p | 130 | y5  | 40 | w | Cb                             | 51 | p   |  |
| United States   |   |     | dp119s aba  |    |   |                                |    |   |  |

**Table 1-3**

**HP Compaq nx7000 Models (Continued)**

|                       |   |     |                                 |    |   |               |    |            |  |
|-----------------------|---|-----|---------------------------------|----|---|---------------|----|------------|--|
| C                     | p | 130 | w5                              | 40 | w | Cb            | 25 | p          |  |
| Taiwan                |   |     | DN893a ab0                      |    |   |               |    |            |  |
| C                     | p | 130 | w5                              | 40 | w | Ci            | 25 | p          |  |
| Asia Pacific          |   |     | dl852a uuf                      |    |   | Hong Kong     |    | dl852a ab5 |  |
| C                     | p | 130 | w5                              | 40 | d | Cb            | 25 | h          |  |
| Asia Pacific          |   |     | dl840a uuf                      |    |   | Japan         |    | dl840a abj |  |
| Australia/New Zealand |   |     | dl840a abg                      |    |   | Korea         |    | dl840a ab1 |  |
| Hong Kong             |   |     | dl840a ab5                      |    |   | Thailand      |    | dl840a ak1 |  |
| C                     | p | 130 | w5                              | 40 | d | Cb            | 25 | p          |  |
| Asia Pacific          |   |     | dl839a uuf                      |    |   | Taiwan        |    | dl841a ab0 |  |
| Australia/New Zealand |   |     | dl839a abg                      |    |   |               |    | and        |  |
| Hong Kong             |   |     | dl839a ab5                      |    |   |               |    | dn895a ab0 |  |
| Japan                 |   |     | dl839a abj                      |    |   | Thailand      |    | dl839a ak1 |  |
| Japan (English)       |   |     | dl839a acf                      |    |   | United States |    | dh904a aba |  |
| Korea                 |   |     | dl839a ab1<br>and<br>dm936a ab1 |    |   |               |    |            |  |
| C                     | p | 130 | w5                              | 40 | d | Ci            | 25 | p          |  |
| Asia Pacific          |   |     | dl851a uuf                      |    |   | Hong Kong     |    | dl851a ab5 |  |
| C                     | P | 130 | W5                              | 40 | C | Cb            | 25 | P          |  |
| Asia Pacific          |   |     | dr852p uuf                      |    |   | Korea         |    | dm935a ab1 |  |

Table 1-4

## Compaq Presario X1000 Models

All Compaq Presario X1000 models feature:

- TouchPad pointing device
- 8-cell, 4.4-wH Li-Ion battery pack
- 1-year warranty on parts and labor

|                            |   |            |    |    |   |              |    |            |  |
|----------------------------|---|------------|----|----|---|--------------|----|------------|--|
| x1094                      | p | 160        | y5 | 80 | y | Cb           | 51 | h          |  |
| Australia/New Zealand      |   | dr824a abg |    |    |   |              |    |            |  |
| x1082                      | p | 160        | y5 | 80 | y | Cb           | 51 | h          |  |
| Australia/New Zealand      |   | DR278a abg |    |    |   |              |    |            |  |
| x1064                      | p | 160        | y5 | 80 | y | ci           | 51 | h          |  |
| Korea                      |   | dn625a ab1 |    |    |   |              |    |            |  |
| X1081                      | p | 160        | y5 | 80 | w | Cb           | 51 | h          |  |
| Australia/New Zealand      |   | dr277a abg |    |    |   | Asia Pacific |    | dr277a uuf |  |
| X1045                      | p | 160        | y5 | 80 | w | Cb           | 51 | h          |  |
| Asia Pacific               |   | dn601a uuf |    |    |   | Korea        |    | dn606a ab1 |  |
| X1030                      | p | 160        | y5 | 60 | y | Cb           | 51 | h          |  |
| Australia/New Zealand      |   | dn591a abg |    |    |   |              |    |            |  |
| X1071                      | p | 160        | y5 | 60 | y | Cb           | 25 | h          |  |
| People's Republic of China |   | dq977a ab2 |    |    |   |              |    |            |  |
| X1046                      | p | 160        | y5 | 60 | w | Cb           | 51 | h          |  |
| Korea                      |   | dn607a ab1 |    |    |   |              |    |            |  |
| X1029                      | p | 160        | y5 | 60 | w | Cb           | 25 | h          |  |
| Australia/New Zealand      |   | dn600a abg |    |    |   |              |    |            |  |
| X1073                      | P | 160        | Y5 | 60 | W | Ci           | 51 | H          |  |
| Hong Kong                  |   | DR269A AB5 |    |    |   | Korea        |    | DR269a ab1 |  |

**Table 1-4**

**Compaq Presario X1000 Models (Continued)**

|                            |   |     |            |    |   |    |    |   |  |
|----------------------------|---|-----|------------|----|---|----|----|---|--|
| X1070                      | p | 160 | y5         | 60 | d | Cb | 25 | h |  |
| People's Republic of China |   |     | dq976a ab2 |    |   |    |    |   |  |
| X1074                      | P | 160 | Y5         | 60 | d | Ci | 51 | H |  |
| Hong Kong                  |   |     | DR270A AB5 |    |   |    |    |   |  |
| x1091                      | p | 160 | y5         | 40 | w | Ci | 25 | h |  |
| Korea                      |   |     | dr287a ab1 |    |   |    |    |   |  |
| x1093                      | p | 160 | w5         | 80 | y | Cb | 51 | h |  |
| Australia/New Zealand      |   |     | dr823a abg |    |   |    |    |   |  |
| x1097                      | p | 160 | W5         | 80 | w | Ci | 51 | h |  |
| Australia/New Zealand      |   |     | dr824a abg |    |   |    |    |   |  |
| X1140                      | p | 160 | w5         | 60 | y | Cb | 51 | h |  |
| United Kingdom             |   |     | dp772e abu |    |   |    |    |   |  |
| X1155                      | p | 160 | w5         | 60 | y | Ci | 51 | h |  |
| Sweden                     |   |     | dp775e ak8 |    |   |    |    |   |  |
| x1090                      | p | 160 | w5         | 60 | w | Cb | 51 | h |  |
| Asia Pacific               |   |     | dr286a uuf |    |   |    |    |   |  |
| X1076                      | p | 160 | w5         | 60 | w | Cb | 51 | h |  |
| Asia Pacific               |   |     | dr272a uuf |    |   |    |    |   |  |
| X1066                      | p | 150 | z5         | 80 | y | Ci | 51 | h |  |
| Asia Pacific               |   |     | dn627a uuf |    |   |    |    |   |  |
| X1015                      | P | 150 | Y5         | 80 | Y | Cb | 10 | H |  |
| United States              |   |     | dn624a aba |    |   |    |    |   |  |

Table 1-4

**Compaq Presario X1000 Models (Continued)**

|                            |   |            |    |    |   |    |    |   |  |
|----------------------------|---|------------|----|----|---|----|----|---|--|
| x1086                      | p | 150        | y5 | 80 | y | Cb | 51 | h |  |
| Hong Kong                  |   | dr282a ab5 |    |    |   |    |    |   |  |
| x1085                      | p | 150        | y5 | 80 | w | Cb | 51 | h |  |
| Hong Kong                  |   | dr281a ab5 |    |    |   |    |    |   |  |
| X1056                      | p | 150        | y5 | 60 | y | Cb | 25 | h |  |
| People's Republic of China |   | dn617a ab2 |    |    |   |    |    |   |  |
| X1049                      | p | 150        | y5 | 60 | w | Cb | 51 | h |  |
| Hong Kong                  |   | dn610a ab5 |    |    |   |    |    |   |  |
| X1023                      | p | 150        | y5 | 60 | w | Cb | 51 | h |  |
| Asia Pacific               |   | dn584a uuf |    |    |   |    |    |   |  |
| X1069                      | p | 150        | y5 | 60 | w | Cb | 25 | h |  |
| People's Republic of China |   | dq975a ab2 |    |    |   |    |    |   |  |
| x1084                      | p | 150        | y5 | 60 | w | Ci | 25 | h |  |
| Korea                      |   | dr280a ab1 |    |    |   |    |    |   |  |
| X1055                      | p | 150        | y5 | 60 | d | Cb | 25 | h |  |
| People's Republic of China |   | dn616a ab2 |    |    |   |    |    |   |  |
| X1040                      | p | 150        | w5 | 80 | y | Cb | 51 | h |  |
| United States              |   | dm774a aba |    |    |   |    |    |   |  |
| x1089                      | p | 150        | w5 | 80 | w | Cb | 51 | h |  |
| Taiwan                     |   | dr285a ab0 |    |    |   |    |    |   |  |
| X1050                      | p | 150        | w5 | 60 | y | Cb | 51 | h |  |
| Hong Kong                  |   | dn611a ab5 |    |    |   |    |    |   |  |

**Table 1-4**

**Compaq Presario X1000 Models (Continued)**

|                            |   |     |            |    |   |                |    |            |  |
|----------------------------|---|-----|------------|----|---|----------------|----|------------|--|
| X1020                      | p | 150 | w5         | 60 | y | Cb             | 51 | h          |  |
| The Netherlands            |   |     | dm416a abh |    |   |                |    |            |  |
| x1088                      | p | 150 | w5         | 60 | w | Cb             | 51 | h          |  |
| Taiwan                     |   |     | dr284a ab0 |    |   |                |    |            |  |
| X1079                      | p | 150 | w5         | 60 | w | Cb             | 51 | h          |  |
| Taiwan                     |   |     | dr275a ab0 |    |   |                |    |            |  |
| X1044                      | p | 150 | w5         | 60 | w | Cb             | 51 | h          |  |
| Korea                      |   |     | dn605a ab1 |    |   |                |    |            |  |
| X1032                      | p | 150 | w5         | 60 | w | Cb             | 51 | h          |  |
| Asia Pacific               |   |     | dn593a uuf |    |   |                |    |            |  |
| X1058                      | p | 150 | w5         | 60 | w | Cb             | 25 | h          |  |
| Korea                      |   |     | dn619a ab1 |    |   |                |    |            |  |
| X1054                      | p | 150 | w5         | 60 | w | Cb             | 25 | h          |  |
| People's Republic of China |   |     | dn615a ab2 |    |   |                |    |            |  |
| X1010                      | p | 150 | w5         | 40 | w | Cb             | 51 | h          |  |
| Denmark                    |   |     | dl963a aby |    |   | Spain          |    | dl963a abe |  |
| Portugal                   |   |     | dl963a ab9 |    |   | United Kingdom |    | dl963a abu |  |
| X1068                      | p | 150 | w5         | 40 | w | Cb             | 25 | h          |  |
| People's Republic of China |   |     | dq974a ab2 |    |   |                |    |            |  |
| X1028                      | p | 150 | w5         | 40 | w | Cb             | 25 | h          |  |
| Asia Pacific               |   |     | dn589a uuf |    |   |                |    |            |  |



Table 1-4

**Compaq Presario X1000 Models (Continued)**

|                            |   |     |            |    |   |       |    |            |  |
|----------------------------|---|-----|------------|----|---|-------|----|------------|--|
| x1067                      | p | 150 | w5         | 40 | d | Cb    | 25 | h          |  |
| People's Republic of China |   |     | dq973a ab2 |    |   |       |    |            |  |
| X1020                      | p | 140 | y5         | 80 | y | Cb    | 10 | p          |  |
| United States              |   |     | dk572a aba |    |   |       |    |            |  |
| X1063                      | P | 140 | Y5         | 60 | W | Cb    | 25 | H          |  |
| People's Republic of China |   |     | dn623a ab2 |    |   |       |    |            |  |
| X1022                      | p | 140 | y5         | 60 | w | Cb    | 25 | h          |  |
| Asia Pacific               |   |     | dn583a uuf |    |   |       |    |            |  |
| X1065                      | p | 140 | y5         | 60 | w | Ci    | 25 | h          |  |
| Asia Pacific               |   |     | dn626a uuf |    |   |       |    |            |  |
| X1048                      | p | 140 | y5         | 40 | w | Cb    | 25 | h          |  |
| Hong Kong                  |   |     | dn609a ab5 |    |   |       |    |            |  |
| x1083                      | p | 140 | y5         | 40 | w | Ci    | 25 | h          |  |
| Asia Pacific               |   |     | dr279a uuf |    |   | Korea |    | dr279a ab1 |  |
| x1095                      | p | 140 | y5         | 40 | c | Cb    | 25 | h          |  |
| Asia Pacific               |   |     | dr825a uuf |    |   |       |    |            |  |
| X1028                      | p | 140 | w5         | 80 | y | Cb    | 51 | p          |  |
| United States              |   |     | dl898a aba |    |   |       |    |            |  |
| X1037                      | p | 140 | w5         | 60 | w | Cb    | 51 | h          |  |
| Thailand                   |   |     | dn598a akl |    |   |       |    |            |  |
| X1036                      | p | 140 | w5         | 60 | w | Cb    | 51 | h          |  |
| Taiwan                     |   |     | dn597a ab0 |    |   |       |    |            |  |

**Table 1-4**

**Compaq Presario X1000 Models (Continued)**

|                            |   |     |            |    |   |               |    |            |  |
|----------------------------|---|-----|------------|----|---|---------------|----|------------|--|
| X1018                      | p | 140 | w5         | 60 | w | Cb            | 51 | h          |  |
| United States              |   |     | dk574a aba |    |   |               |    |            |  |
| X1010                      | p | 140 | w5         | 60 | w | Cb            | 51 | h          |  |
| Canada (English)           |   |     | dl857a abl |    |   | French Canada |    | dl857a abc |  |
| X1007                      | P | 140 | W5         | 60 | w | Cb            | 51 | h          |  |
| Sweden/Finland             |   |     | dl964a ak8 |    |   |               |    |            |  |
| X1001                      | p | 140 | w5         | 60 | w | Cb            | 51 | h          |  |
| United States              |   |     | dk575a aba |    |   |               |    |            |  |
| X1057                      | p | 140 | w5         | 60 | w | Cb            | 25 | h          |  |
| Korea                      |   |     | dn618a ab1 |    |   |               |    |            |  |
| X1053                      | p | 140 | w5         | 60 | w | Cb            | 25 | h          |  |
| People's Republic of China |   |     | dn614a ab2 |    |   |               |    |            |  |
| x1092                      | p | 140 | w5         | 60 | w | Ci            | 25 | h          |  |
| Korea                      |   |     | dr822a ab1 |    |   |               |    |            |  |
| x1087                      | p | 140 | w5         | 60 | d | Cb            | 51 | h          |  |
| Taiwan                     |   |     | dr283a ab0 |    |   |               |    |            |  |
| X1078                      | p | 140 | w5         | 60 | d | Cb            | 51 | h          |  |
| Taiwan                     |   |     | dr274a ab0 |    |   |               |    |            |  |
| X1043                      | p | 140 | w5         | 40 | y | Cb            | 51 | h          |  |
| Korea                      |   |     | dn604a ab1 |    |   |               |    |            |  |
| X1016                      | p | 140 | w5         | 40 | y | Cb            | 51 | h          |  |
| France                     |   |     | dm415a abf |    |   | Italy         |    | dm415a abz |  |

Table 1-4

**Compaq Presario X1000 Models (Continued)**

|                            |   |     |            |    |   |                          |    |   |  |
|----------------------------|---|-----|------------|----|---|--------------------------|----|---|--|
| X1110                      | p | 140 | w5         | 40 | w | Cb                       | 51 | h |  |
| Sweden                     |   |     | dp773e ak8 |    |   |                          |    |   |  |
| X1080                      | p | 140 | w5         | 40 | w | Cb                       | 51 | h |  |
| Thailand                   |   |     | dr276a ak1 |    |   |                          |    |   |  |
| X1062                      | P | 140 | W5         | 40 | W | Cb                       | 51 | H |  |
| Asia Pacific               |   |     | dn622a uuf |    |   |                          |    |   |  |
| X1030                      | p | 140 | w5         | 40 | w | Cb                       | 51 | h |  |
| United States              |   |     | dm773a aba |    |   |                          |    |   |  |
| X1012                      | P | 140 | W5         | 40 | W | Cb                       | 51 | h |  |
| France                     |   |     | dl965a abf |    |   |                          |    |   |  |
| X1105                      | p | 140 | w5         | 40 | w | Cb                       | 25 | h |  |
| United Kingdom             |   |     | dp771e abu |    |   |                          |    |   |  |
| X1077                      | p | 140 | w5         | 40 | w | Cb                       | 25 | h |  |
| Taiwan                     |   |     | dr273a ab0 |    |   |                          |    |   |  |
| X1075                      | P | 140 | W5         | 40 | W | Cb                       | 25 | H |  |
| Asia Pacific               |   |     | DR271A UUF |    |   |                          |    |   |  |
| X1052                      | p | 140 | w5         | 40 | w | Cb                       | 25 | h |  |
| People's Republic of China |   |     | dn613a ab2 |    |   |                          |    |   |  |
| X1050                      | p | 140 | w5         | 40 | w | Cb                       | 25 | h |  |
| Canada English             |   |     | dp485u abl |    |   | United States dm777a aba |    |   |  |
| French Canada              |   |     | dp485u abc |    |   |                          |    |   |  |
| X1042                      | p | 140 | w5         | 40 | w | Cb                       | 25 | h |  |
| Korea                      |   |     | dn603a ab1 |    |   |                          |    |   |  |

**Table 1-4**

**Compaq Presario X1000 Models (Continued)**

|                            |   |     |            |    |   |        |    |            |  |
|----------------------------|---|-----|------------|----|---|--------|----|------------|--|
| X1002                      | p | 140 | w5         | 40 | w | Cb     | 25 | h          |  |
| United States              |   |     | dm771a aba |    |   |        |    |            |  |
| X1115                      | p | 140 | w5         | 40 | w | Ci     | 51 | h          |  |
| Sweden                     |   |     | dp774e ak8 |    |   |        |    |            |  |
| x1096                      | p | 140 | w5         | 40 | w | Ci     | 25 | h          |  |
| Asia Pacific               |   |     | DR826a uuf |    |   | Taiwan |    | DR826a ab0 |  |
| X1051                      | p | 140 | w5         | 40 | d | Cb     | 25 | h          |  |
| People's Republic of China |   |     | dn612a ab2 |    |   |        |    |            |  |
| X1072                      | P | 140 | W5         | 30 | W | Cb     | 25 | H          |  |
| Hong Kong                  |   |     | DR268A AB5 |    |   |        |    |            |  |
| X1021                      | p | 130 | y5         | 40 | d | Cb     | 25 | h          |  |
| Asia Pacific               |   |     | dn582a uuf |    |   |        |    |            |  |
| X1038                      | p | 130 | w5         | 60 | w | Cb     | 51 | h          |  |
| Thailand                   |   |     | dn599a ak1 |    |   |        |    |            |  |
| X1010                      | p | 130 | w5         | 60 | w | Cb     | 51 | h          |  |
| United States              |   |     | dk571a aba |    |   |        |    |            |  |
| X1035                      | p | 130 | w5         | 60 | d | Cb     | 51 | h          |  |
| Taiwan                     |   |     | dn596a ab0 |    |   |        |    |            |  |
| X1006                      | p | 130 | w5         | 40 | y | Cb     | 51 | h          |  |
| France                     |   |     | dm933a abf |    |   |        |    |            |  |
| X1060                      | P | 130 | W5         | 40 | W | Cb     | 51 | H          |  |
| Thailand                   |   |     | dn620a ak1 |    |   |        |    |            |  |

Table 1-4

## Compaq Presario X1000 Models (Continued)

|                       |   |     |            |    |   |                 |    |            |  |
|-----------------------|---|-----|------------|----|---|-----------------|----|------------|--|
| X1012                 | P | 130 | W5         | 40 | W | Cb              | 51 | H          |  |
| United States         |   |     | dn585a aba |    |   |                 |    |            |  |
| X1061                 | p | 130 | w5         | 40 | w | Cb              | 25 | H          |  |
| Asia Pacific          |   |     | dn621a uuf |    |   |                 |    |            |  |
| X1047                 | p | 130 | w5         | 40 | w | Cb              | 25 | h          |  |
| Hong Kong             |   |     | dn608a ab5 |    |   |                 |    |            |  |
| X1041                 | p | 130 | w5         | 40 | w | Cb              | 25 | h          |  |
| Korea                 |   |     | dn602a ab1 |    |   |                 |    |            |  |
| X1031                 | p | 130 | w5         | 40 | w | Cb              | 25 | h          |  |
| Asia Pacific          |   |     | dn592a uuf |    |   |                 |    |            |  |
| X1005                 | p | 130 | w5         | 40 | w | Cb              | 25 | h          |  |
| Belgium               |   |     | dl681a uug |    |   | The Netherlands |    | dl681a abh |  |
| Denmark               |   |     | dl681a aby |    |   | Portugal        |    | dl681a ab9 |  |
| France                |   |     | dl681a abf |    |   | Spain           |    | dl681a abe |  |
| Italy                 |   |     | dl681a abz |    |   | Sweden/Finland  |    | dl681a ak8 |  |
| Latin America         |   |     | dl858a abm |    |   | United Kingdom  |    | dl681a abu |  |
| X1034                 | p | 130 | w5         | 40 | d | Cb              | 25 | h          |  |
| Taiwan                |   |     | dn595a ab0 |    |   |                 |    |            |  |
| X1033                 | p | 130 | w5         | 40 | d | Cb              | 25 | h          |  |
| Asia Pacific          |   |     | dn594a uuf |    |   | Thailand        |    | dn594a akl |  |
| X1027                 | p | 130 | w5         | 40 | d | Cb              | 25 | h          |  |
| Australia/New Zealand |   |     | dn588a abg |    |   |                 |    |            |  |

**Table 1-4**

**Compaq Presario X1000 Models (Continued)**

|                       |   |     |            |    |   |          |    |            |  |
|-----------------------|---|-----|------------|----|---|----------|----|------------|--|
| X1040                 | p | 130 | w5         | 40 | c | Cb       | 25 | h          |  |
| Korea                 |   |     | dn601a ab1 |    |   |          |    |            |  |
| X1026                 | p | 130 | w5         | 40 | c | Cb       | 25 | h          |  |
| Asia Pacific          |   |     | dn587a uuf |    |   | Thailand |    | dn587a akl |  |
| Australia/New Zealand |   |     | dn587a abg |    |   |          |    |            |  |

## 1.2 Features

- Intel Pentium M 2.0-, 1.8-, 1.7-, 1.6-, 1.5-, 1.4-, or 1.3-GHz processor or Intel Celeron M 1.3- or 1.2-GHz processor, with 400-MHz processor bus and 512-KB L2 cache depending on notebook model
- 15.4-inch wide UXGA (1920 × 1200), wide SXGA+ (1680 × 1050), or wide XGA (1280 × 800) TFT display with over 16.7 million colors, varying by notebook model
- ATI MOBILITY RADEON graphics with 64- or 32-MB DDR SDRAM
- 80-, 60-, or 40-GB high-capacity hard drive, varying by notebook model
- Minimum 256-MB high-performance synchronous DRAM (SDRAM), expandable to 2.0 GB
- Windows XP Home or Windows XP Pro, depending on model
- Full-size Windows keyboard
- TouchPad pointing device with on/off button and dedicated scroll up/down surface
- 56-Kbps V.92 modem integrated on the system board
- Integrated Secure Digital (SD) Memory Card slot
- Integrated 10/100 network interface card (NIC)
- Integrated wireless support for Mini PCI 802.11 a/b/g and Bluetooth local area network (LAN) devices
- Support for one Type I or Type II PC Card slot with support for both 32-bit (CardBus) and 16-bit PC Cards
- External 65-watt AC adapter with power cord
- 8-cell Li-Ion battery pack

- Harman/Kardon speakers (HP Pavilion zt3000 models only)
- JBL Pro speakers (HP Compaq nx7000 and Compaq Presario X1000 models only)
- Support for the following optical drives:
  - ❑ 24X Max DVD/CD-RW Combo Drive
  - ❑ 8X Max DVD+RW/R and CD-RW Combo Drive
  - ❑ 24X Max CD-ROM Drive
  - ❑ 8X DVD-ROM Drive
- Input/Output interfaces:
  - ❑ Microphone jack
  - ❑ Stereo speaker/headphone jack
  - ❑ Infrared port
  - ❑ Power connector
  - ❑ External video monitor connector
  - ❑ S-Video connector
  - ❑ USB (3) connector
  - ❑ RJ-45 (network interface card (NIC)) jack
  - ❑ RJ-11 (modem) jack
  - ❑ Parallel connector
  - ❑ 1394 digital connector
  - ❑ One Type I/Type II PC Card slot
  - ❑ Docking connector



## 1.3 Clearing a Password

If the notebook you are servicing has an unknown password, follow these steps to clear the password. These steps also clear CMOS:

1. Prepare the notebook for disassembly (refer to [Section 5.3, “Preparing the Notebook for Disassembly”](#) for more information).
2. Remove the real time clock (RTC) battery (refer to [Section 5.7, “RTC Battery”](#)).
3. Wait approximately 5 minutes.
4. Replace the RTC battery and reassemble the notebook.
5. Connect AC power to the notebook. Do **not** reinsert the battery pack at this time.
6. Turn on the notebook.

All passwords and all CMOS settings will have been cleared.

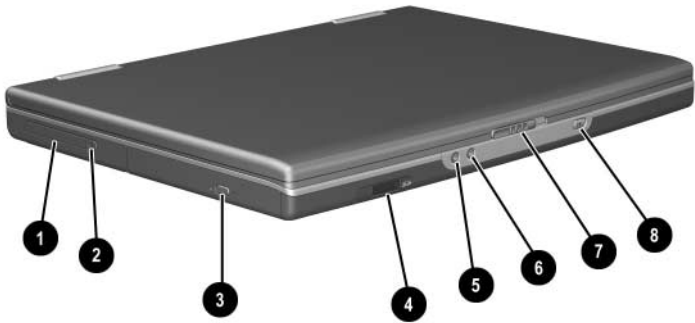
## 1.4 Power Management

The notebook comes with power management features that extend battery operating time and conserve power. The notebook supports the following power management features:

- Standby
- Hibernation
- Setting customization by the user
- Hotkeys for setting level of performance
- Battery calibration
- Lid switch Standby/resume
- Power/Standby button
- Advanced Configuration and Power Management (ACP) compliance

## 1.5 External Components

The external components on the front and left-side of the notebook are shown in the following illustration and described in Table 1-5.

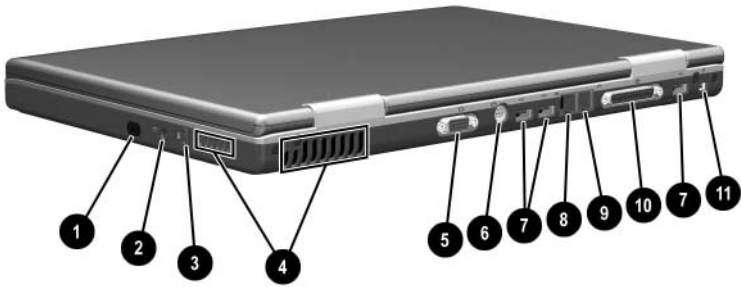


*Front and Left-Side Components*

**Table 1-5****Front and Left-Side Components**

| <b>Item</b> | <b>Component</b>                            | <b>Function</b>  |
|-------------|---|--|
| 1           | PC Card slot                                | Supports an optional Type I or Type II 32-bit (CardBus) or 16-bit PC Card.   |
| 2           | PC Card eject button                        | Ejects an optional PC Card from the PC Card slot.  |
| 3           | Optical drive                               | Supports an optical disc.  |
| 4           | <b>SD</b> (Secure Digital) Memory Card slot | Supports SD Cards and MultiMediaCards.   |
| 5           | Microphone jack                             | Connects an optional monaural or stereo microphone.  |
| 6           | Audio line-out jack                         | Connects optional headphone or powered stereo speakers. Also connects the audio function of an audio/video device such as a television or VCR. |
| 7           | Display release latch                       | Opens the notebook.  |
| 8           | Wireless device button                      | Turns an optional internal wireless device on or off.  |

The notebook rear panel and right-side components are shown in the following illustration and described in Table 1-6.



*Rear Panel and Right-Side Components*

---



**Table 1-6**

**Rear Panel and Right-Side Components**

| Item | Component       | Function  |
|------|-----------------|---|
| 1    | Infrared port   | Provides wireless communication between the notebook and an optional IrDA-compliant device. |
| 2    | Power connector | Connects an AC adapter cable.   |

Table 1-6

Rear Panel and Right-Side Components (*Continued*)

| Item | Component                  | Function  |
|------|----------------------------|---|
| 3    | Security cable slot        | Attaches an optional security cable to the notebook.<br><br> The purpose of security solutions is to act as a deterrent. These solutions do not prevent the product from being mishandled or stolen.   |
| 4    | Vents (2)                  | Allow airflow to cool internal components.<br><br> To prevent overheating, use the notebook only on hard surfaces which cannot obstruct the vents. Do not allow a soft surface, such as bedding, clothing, or a thick rug, to block airflow. |
| 5    | External monitor connector | Connects an optional VGA external monitor or projector.   |
| 6    | S-Video connector          | Connects an optional S-Video device, such as a television, VCR, camcorder, projector, or video capture card.  |
| 7    | USB connectors (3)         | Connect optional 2.0-compliant USB devices.   |
| 8    | RJ-45 network jack         | Connects an Ethernet network cable.   |
| 9    | RJ-11 telephone jack       | Connects a modem cable.   |
| 10   | Parallel connector         | Connects an optional parallel device such as a printer.   |
| 11   | 1394 connector             | Connects an optional 1394 device such as a camcorder or digital camera.   |

The notebook keyboard components are shown in the following illustration and described in Table 1-7.

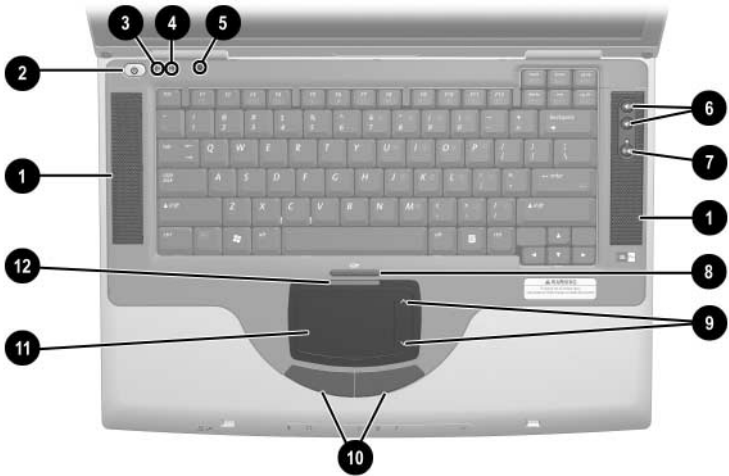


*Keyboard Components*

**Table 1-7****Keyboard Components**

| <b>Item</b> | <b>Component</b>                           | <b>Function</b>   |
|-------------|--|---|
| 1           | <b>F1</b> through <b>F12</b> function keys | Perform system and application tasks. When combined with the <b>Fn</b> key, the function keys <b>F1</b> and <b>F3</b> through <b>F12</b> perform additional tasks as hotkeys. |
| 2           | <b>num lk</b> key                          | Enables numeric lock and the internal keypad.   |
| 3           | Internal keypad                            | Can be used like the keys on an external numeric keypad.  |
| 4           | Cursor control keys                        | Move the cursor around the screen.  |
| 5           | Applications key                           | Displays a shortcut menu for items beneath the pointer.   |
| 6           | Windows logo key                           | Display the Windows Start menu.   |
| 7           | <b>Fn</b> key                              | Executes frequently used system functions when pressed in combination with another key.   |

The notebook top components are shown in the following illustration and described in Table 1-8.



*Top Components*

---

**Table 1-8**

**Top Components**

| Item | Component           | Function   |
|------|---------------------|--|
| 1    | Stereo speakers (2) | Produce stereo sound.  |
| 2    | Power button        | When the notebook is <ul style="list-style-type: none"><li>■ Off, press to turn on the notebook.</li><li>■ On, briefly press to initiate Hibernation.</li><li>■ In Standby, briefly press to resume from Standby.</li><li>■ In Hibernation, briefly press to restore from Hibernation.</li></ul> |

---

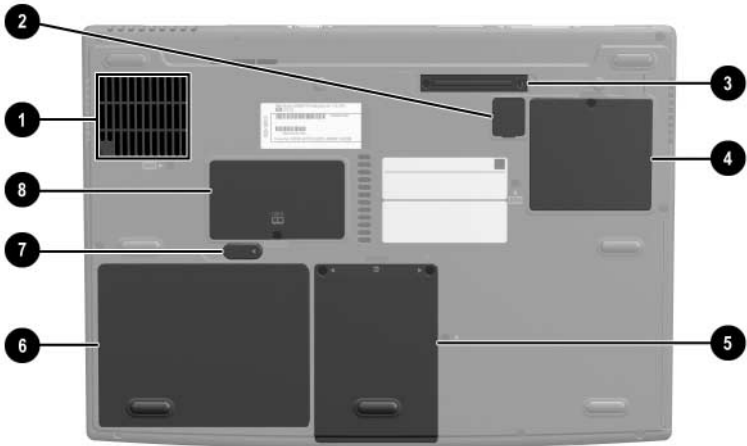


Table 1-8

Top Components (*Continued*)

| Item | Component                       | Function  |
|------|---------------------------------|---|
| 3    | Caps lock light                 | On: Caps lock is on.  |
| 4    | Num lock light                  | On: Num lock or the internal keypad is on.  |
| 5    | Display lid switch              | <ul style="list-style-type: none"> <li>■ If the notebook is closed while on, turns off the display.</li> <li>■ If the notebook is opened while in Standby, turns on the notebook (resumes from Standby).</li> </ul> |
| 6    | Volume buttons (2)              | Increase or decrease system volume.   |
| 7    | Mute button                     | Mutes or restores volume.   |
| 8    | TouchPad on/off button          | Enables/disables the TouchPad.  |
| 9    | TouchPad scroll zones (2)       | Scroll upward or downward.  |
| 10   | Left and right TouchPad buttons | Function like the left and right buttons on an external mouse.  |
| 11   | TouchPad                        | Moves the pointer and selects or activates items on the screen.   |
| 12   | TouchPad light                  | On: TouchPad is enabled.  |

The external components on the bottom of the notebook are shown in the following illustration and described in Table 1-9.



*Bottom Components*

---


**Table 1-9**

**Bottom Components**

| Item | Component               | Function   |
|------|-------------------------|--|
| 1    | Fan vent                | Allows airflow to cool internal components.<br><br>△ To prevent overheating, do not obstruct the vent. Using the notebook on a soft surface, such as a pillow, blanket, rug, or thick clothing, may block airflow. |
| 2    | RTC battery compartment | Contains the RTC battery.  |

Table 1-9

**Bottom Components (Continued)**

| Item | Component                  | Function   |
|------|----------------------------|--|
| 3    | Docking connector          | Connects the notebook to an optional Port Replicator.  |
| 4    | Mini PCI compartment       | <p>Contains the Mini PCI wireless card.</p> <p> To prevent an unresponsive system and the display of a warning message, install only a Mini PCI device authorized for use in your notebook by the government agency that regulates wireless devices in your country. If you install device and then receive a warning message, remove the device to restore notebook functionality. Then contact your Compaq Product Information Center or HP Customer Care Center.</p> |
| 5    | Hard drive bay             | Holds the internal hard drive.   |
| 6    | Battery bay                | Holds the battery pack.  |
| 7    | Battery pack release latch | Releases a battery pack from the battery bay.  |
| 8    | Memory module compartment  | Contains one memory slot for an optional 1024-, 512-, 256-, or 128-MB memory module.   |

## 1.6 Design Overview

This section presents a design overview of key parts and features of the notebook. Refer to [Chapter 3, “Illustrated Parts Catalog”](#) to identify replacement parts, and [Chapter 5, “Removal and Replacement Procedures”](#) for disassembly steps. The system board provides the following device connections:

- Memory module
- Hard drive
- Display
- Keyboard and TouchPad
- Audio
- Intel Processor-M processors
- Fan
- PC Card
- Modem, NIC, and wireless devices



**CAUTION:** To properly ventilate the notebook, allow at least a 7.6-cm (3-inch) clearance on the left and right sides of the notebook.

---

The notebook uses an electric fan for ventilation. The fan is controlled by a temperature sensor and is designed to turn on automatically when high temperature conditions exist. These conditions can be caused by high external temperatures, heavy system power consumption, certain power management/battery conservation configurations, battery fast charging, and some software applications. Exhaust air is displaced through the ventilation grill located on the left side of the notebook.

# 2

---

## Troubleshooting



---

**WARNING:** Only authorized technicians trained by HP should repair this equipment. All troubleshooting and repair procedures are detailed to allow only subassembly/module level repair. Because of the complexity of the individual boards and subassemblies, do not attempt to make repairs at the component level or modifications to any printed wiring board. Improper repairs can create a safety hazard. Any indication of component replacement or printed wiring board modification may void any warranty or exchange allowances.

---

## 2.1 Computer Setup and Diagnostics Utilities

The notebook features 2 system management utilities:

- **Computer Setup**—A system information and customization utility that can be used even when your operating system is not working or will not load. This utility includes settings that are not available in Microsoft Windows.
- **Diagnostics for Windows**—A system information and diagnostic utility that is used within the Windows operating system. Use this utility whenever possible to
  - ❑ Display system information.
  - ❑ Test system components.
  - ❑ Troubleshoot a device configuration problem in Windows XP Professional or Windows XP Home.



It is not necessary to configure a device connected to a USB connector on the notebook or to an optional Port Replicator.

---

### Using Computer Setup

Information and settings in Computer Setup are accessed from the File, Security, or Advanced menus:

1. Turn on or restart the notebook. Press **F10** while the F10 = ROM-Based Setup message is displayed in the lower left corner of the screen.
  - ❑ To change the language, press **F2**.
  - ❑ To view navigation information, press **F1**.
  - ❑ To return to the Computer Setup menu, press **esc**.

2. Select the File, Security, or Advanced menu.
3. To close Computer Setup and restart the notebook:
  - ❑ Select File > Save Changes and Exit and press **enter**.
  - or -
  - ❑ Select File > Ignore Changes and Exit and press **enter**.
4. When you are prompted to confirm your action, press **F10**.



## Selecting from the File Menu

**Table 2-1**  
**File Menu**

| Select                  | To Do This  |
|-------------------------|---|
| System Information      | <ul style="list-style-type: none"> <li>■ View identification information about the notebook, a Port Replicator, and any battery packs in the system.</li> <li>■ View specification information about the processor, memory and cache size, and system ROM.</li> </ul> |
| Save to Floppy          | Save system configuration settings to a diskette.   |
| Restore from Floppy     | Restore system configuration settings from a diskette.  |
| Restore Defaults        | Replace configuration settings in Computer Setup with factory default settings. Identification information is retained.   |
| Ignore Changes and Exit | Cancel changes entered during the current session, then exit and restart the notebook.  |
| Save Changes and Exit   | Save changes entered during the current session, then exit and restart the notebook.  |

## Selecting from the Security Menu

**Table 2-2**  
**Security Menu**

| Select                 | To Do This  |
|------------------------|---|
| Administrator Password | Enter, change, or delete an administrator password.   |
| Power-on Password      | Enter, change, or delete a power-on password.   |
| DriveLock Passwords    | <p>Enable/disable DriveLock; change a DriveLock User or Master password.</p> <p> DriveLock Settings are accessible only when you enter Computer Setup by turning on (not restarting) the notebook.</p>               |
| Device Security        | <p>Enable/disable:</p> <ul style="list-style-type: none"> <li>■ Ports</li> <li>■ Diskette write*</li> <li>■ CD-ROM or diskette startup</li> </ul> <p> Settings for a DVD-ROM can be entered in the CD-ROM field.</p> |
| System IDs             | Enter identification numbers for the notebook, a Port Replicator, and all battery packs in the system.  |

\*Not applicable to SuperDisk LS-120 drives.



## Selecting from the Advanced Menu

**Table 2-3**  
**Advanced Menu**

| Select         | To Do This   |
|----------------|--|
| Language       | Change the Computer Setup language.  |
| Boot Options   | <p>Enable/disable:</p> <ul style="list-style-type: none"> <li>■ QuickBoot, which starts the notebook more quickly by eliminating some startup tests. (If you suspect a memory failure and want to test memory automatically during startup, disable QuickBoot.)</li> <li>■ MultiBoot, which sets a startup sequence that can include most bootable devices and media in the system.</li> </ul>   |
| Device Options | <ul style="list-style-type: none"> <li>■ Enable/disable the embedded numeric keypad at startup.</li> <li>■ Enable/disable multiple standard pointing devices at startup. (To set the notebook to support only a single, usually nonstandard, pointing device at startup, select Disable.)</li> <li>■ Enable/disable USB legacy support for a USB keyboard. (When USB legacy support is enabled, the keyboard works even when a Windows operating system is not loaded.)</li> <li>■ Set an optional external monitor or overhead projector connected to a video card in a Port Replicator as the primary device. (When the notebook display is set as secondary, the notebook must be shut down before it is undocked from a Port Replicator.)</li> </ul> |

**Table 2-3**  
**Advanced Menu (*Continued*)**

| Select                              | To Do This   |
|-------------------------------------|--|
| Device Options ( <i>continued</i> ) | <ul style="list-style-type: none"> <li>■ Change the parallel port mode from Enhanced Parallel Port (EPP, the default setting) to standard, bidirectional EPP, or Enhanced Capabilities Port (ECP).</li> <li>■ Set video-out mode to NTSC (default), PAL, NTSC-J, or PAL-M.*</li> <li>■ Enable/disable all settings in the SpeedStep window. (When Disable is selected, the notebook runs in Battery Optimized mode.)</li> <li>■ Specify how the notebook recognizes multiple identical Port Replicators that are identically equipped. Select Disable to recognize the Port Replicators as a single Port Replicator; select Enable to recognize the Port Replicators individually, by serial number.</li> <li>■ Enable/disable the reporting of the processor serial number by the processor to the software.</li> </ul> |

---

\*Video modes vary even within regions. However, NTSC is common in North America; PAL, in Europe, Africa, and the Middle East; NTSC-J, in Japan; and PAL-M, in Brazil. Other South and Central American regions can use NTSC, PAL, or PAL-M.

---

---

## 2.2 Troubleshooting Flowcharts

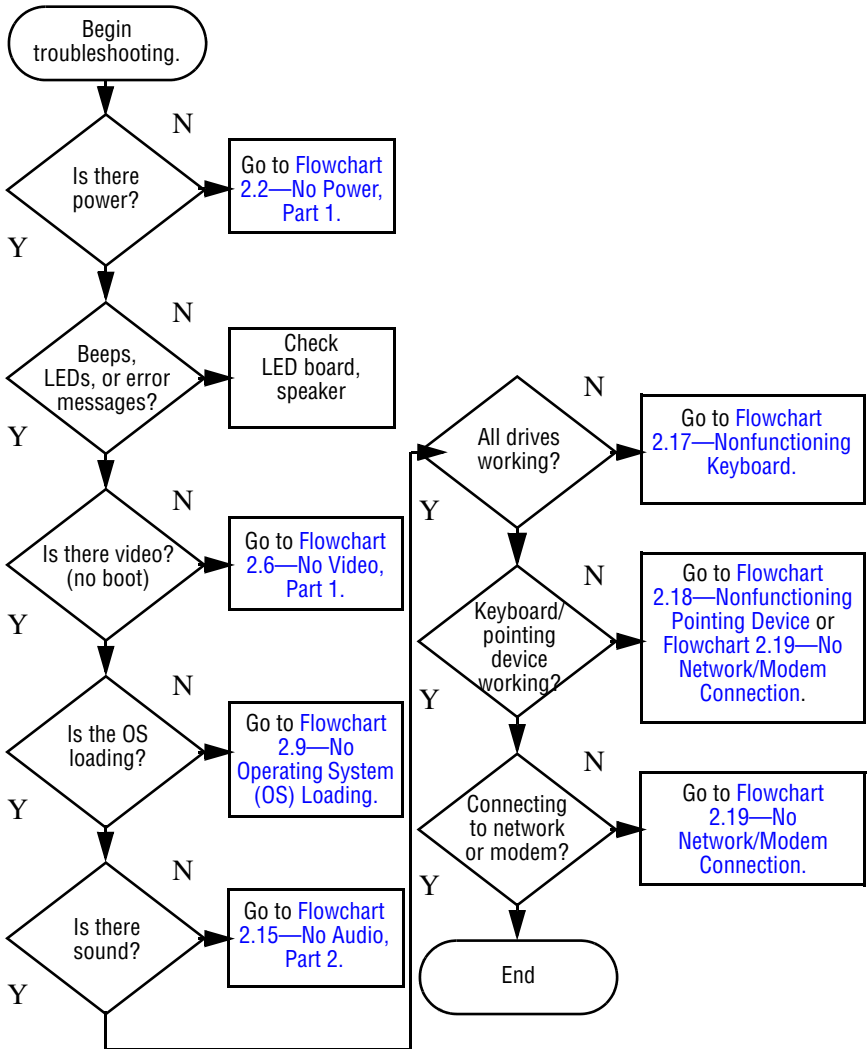
---

**Table 2-4**  
**Troubleshooting Flowcharts Overview**

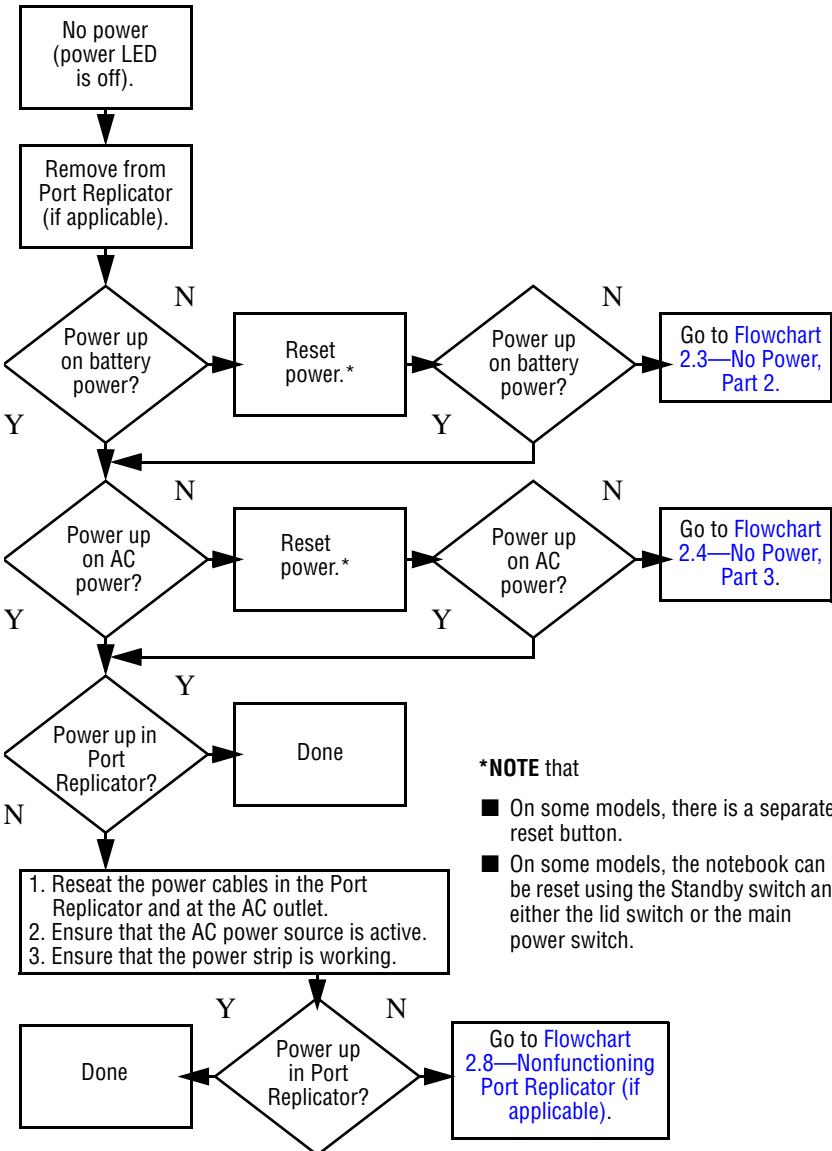
| <b>Flowchart</b> | <b>Description</b>                      |
|------------------|---|
| 2.1              | Initial troubleshooting                 |
| 2.2              | No power, part 1                        |
| 2.3              | No power, part 2                        |
| 2.4              | No power, part 3                        |
| 2.5              | No power, part 4                        |
| 2.6              | No video, part 1                        |
| 2.7              | No video, part 2                        |
| 2.8              | Nonfunctioning Port Replicator          |
| 2.9              | No operating system (OS) loading        |
| 2.10             | No OS loading from hard drive, part 1   |
| 2.11             | No OS loading from hard drive, part 2   |
| 2.12             | No OS loading from hard drive, part 3   |
| 2.13             | No OS loading from CD- or DVD-ROM Drive |
| 2.14             | No audio, part 1                        |
| 2.15             | No audio, part 2                        |
| 2.16             | Nonfunctioning device                   |
| 2.17             | Nonfunctioning keyboard                 |
| 2.18             | Nonfunctioning pointing device          |
| 2.19             | No network or modem connection          |

---

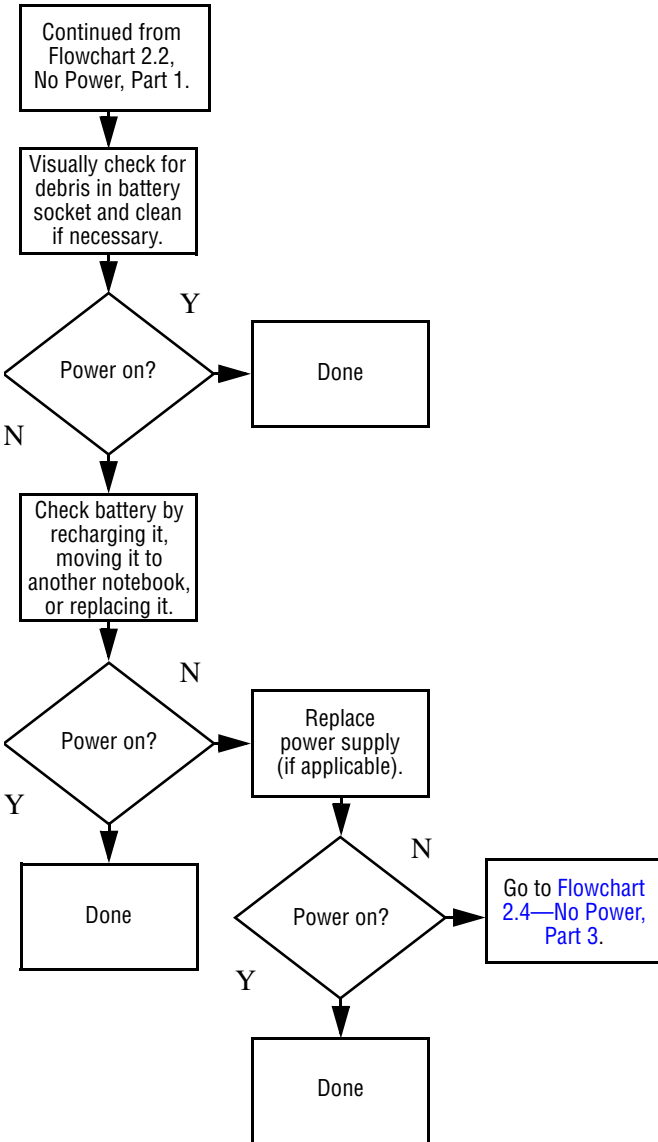
## Flowchart 2.1 – Initial Troubleshooting



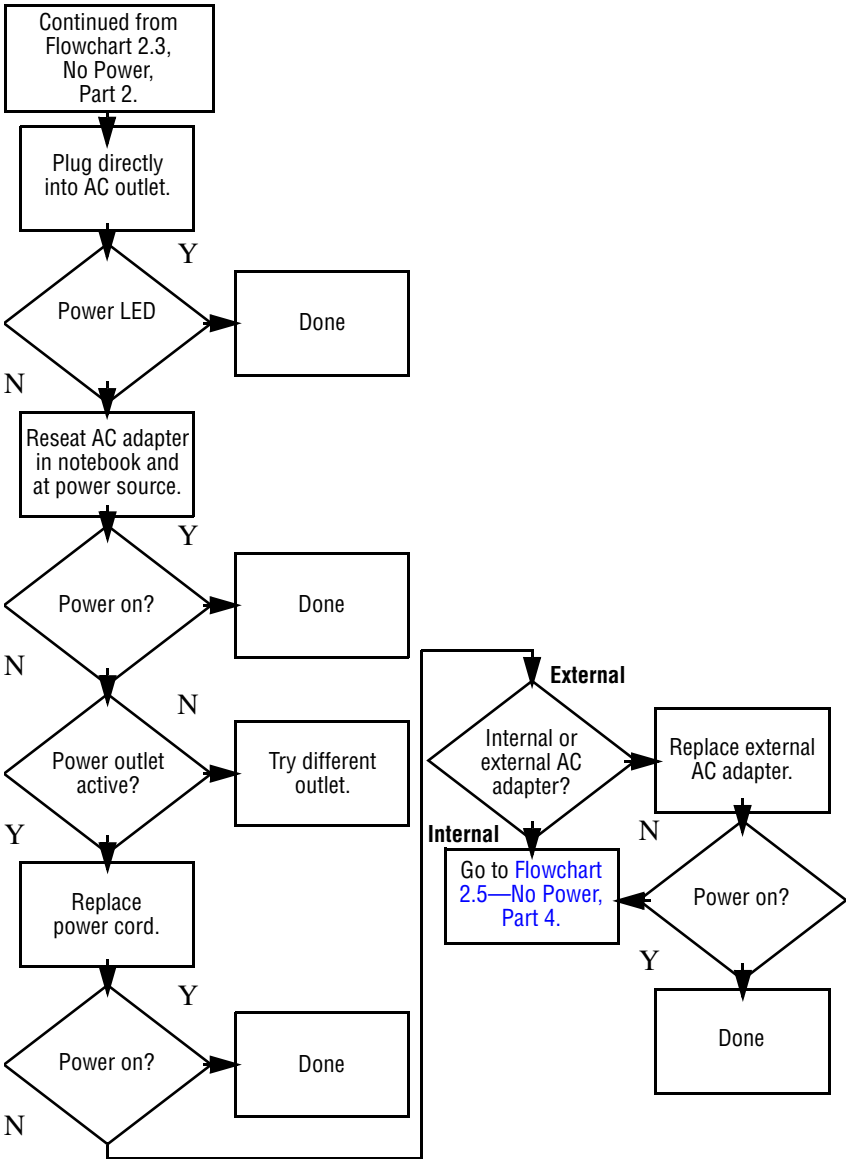
## Flowchart 2.2—No Power, Part 1



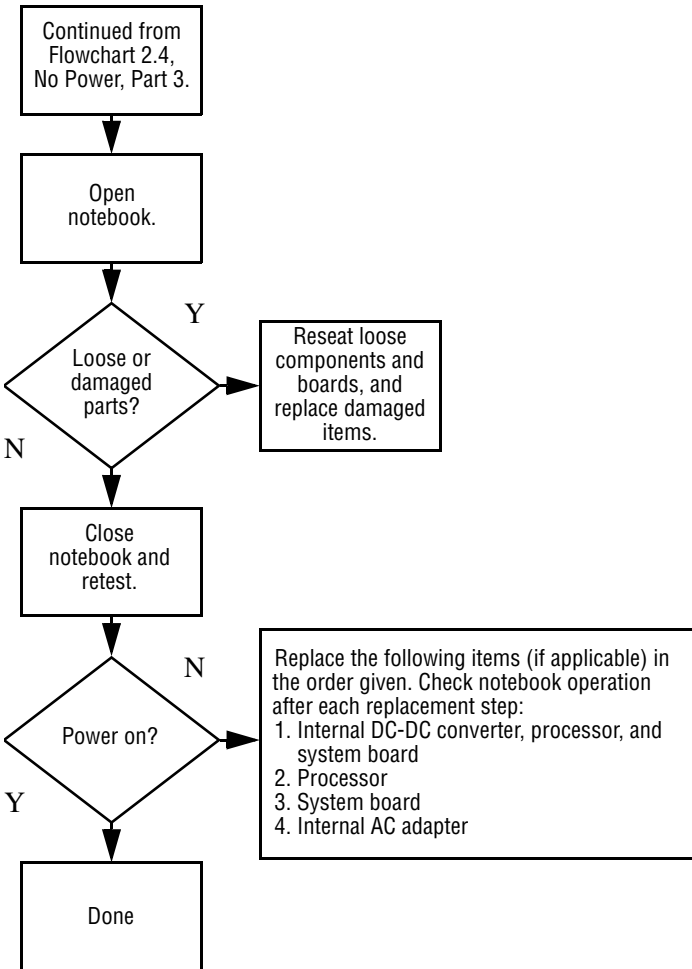
## Flowchart 2.3—No Power, Part 2



## Flowchart 2.4—No Power, Part 3

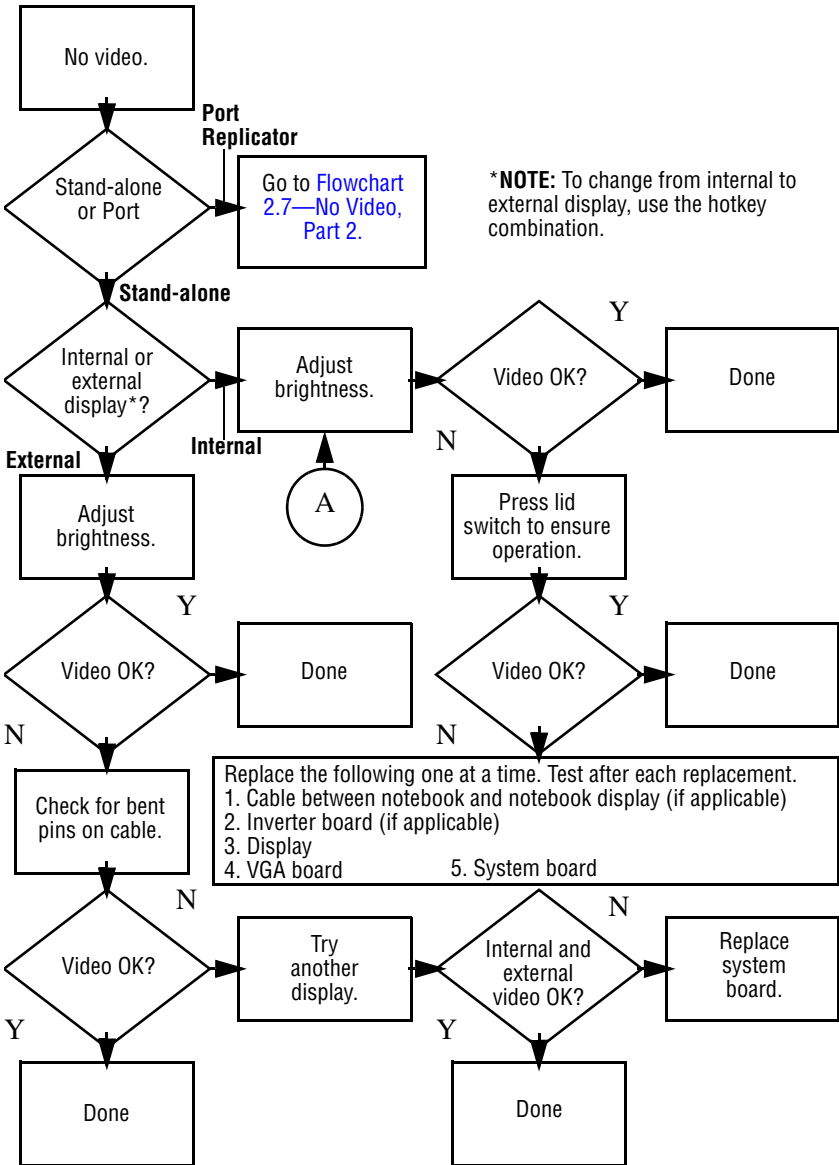


## Flowchart 2.5—No Power, Part 4

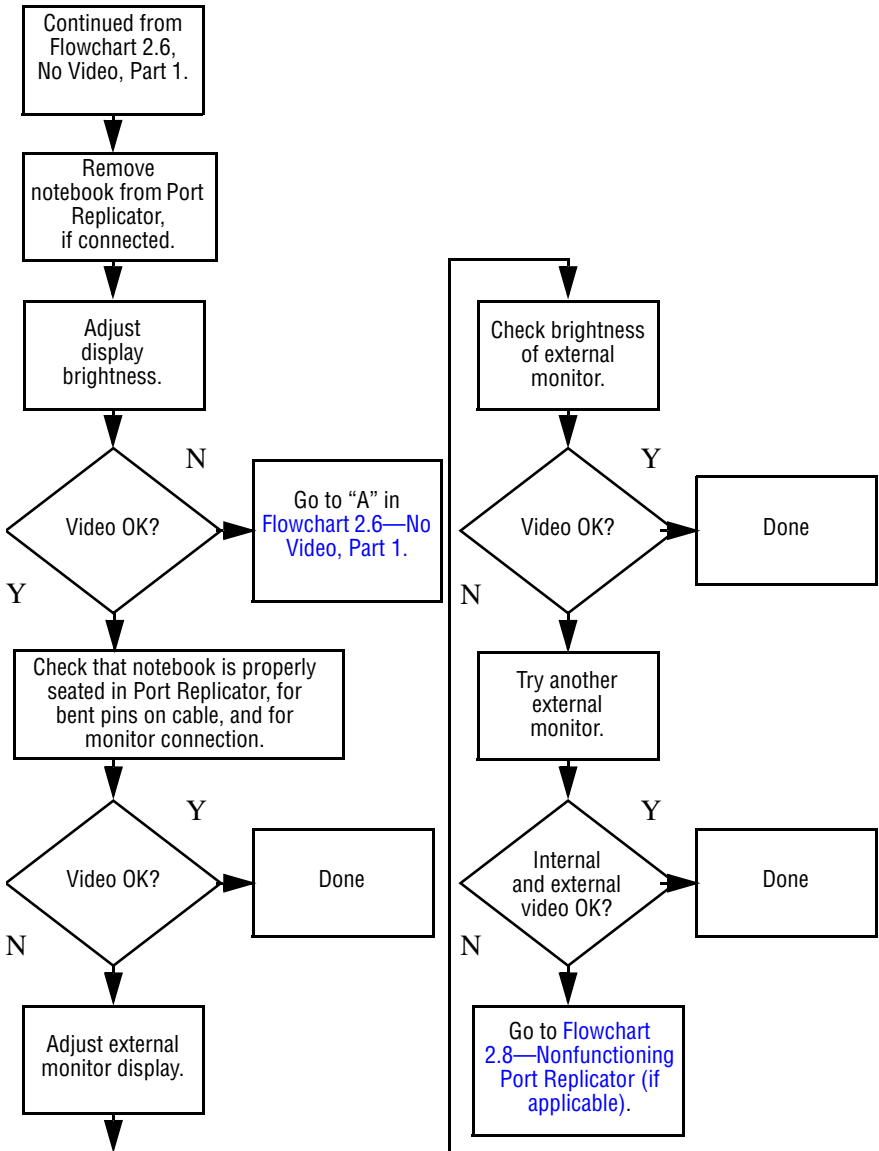




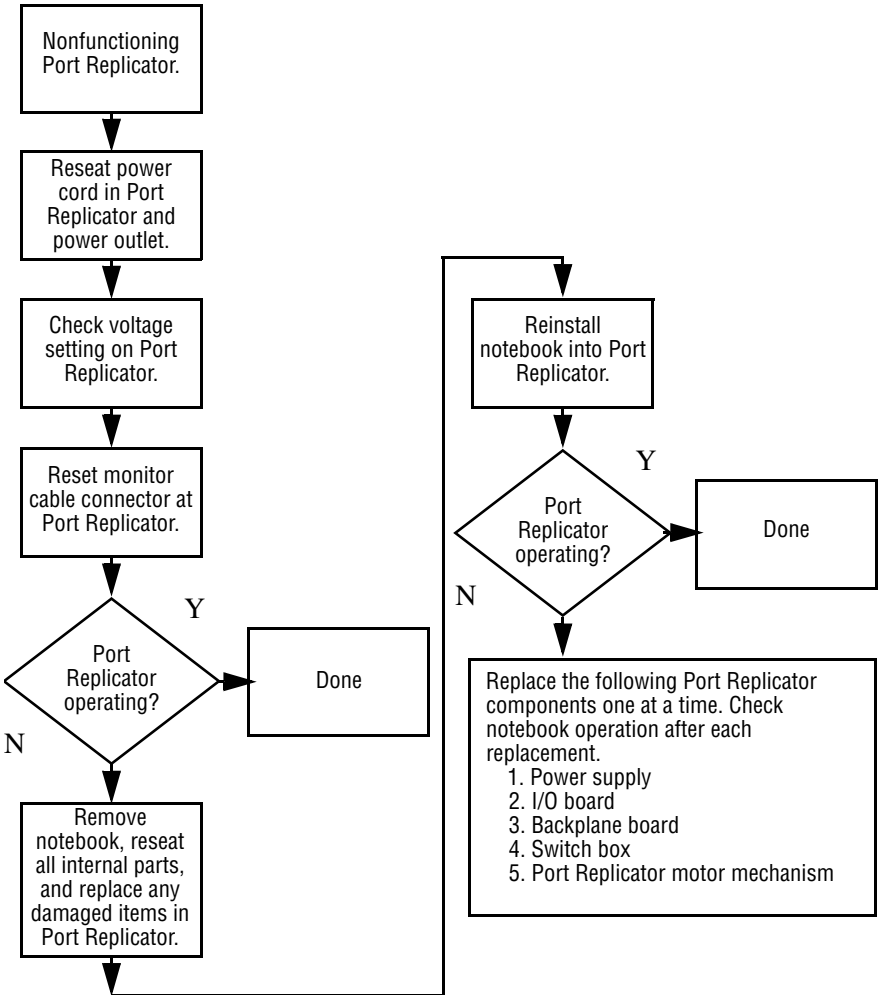
## Flowchart 2.6—No Video, Part 1



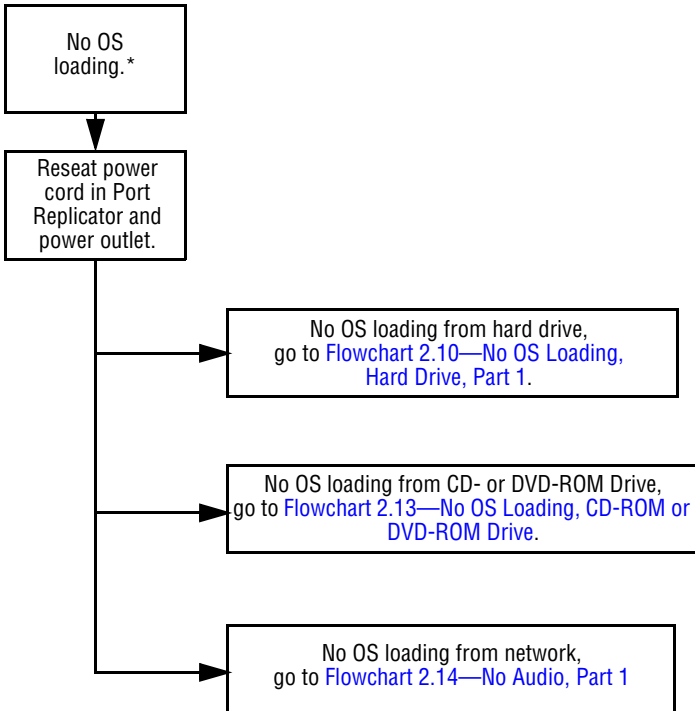
## Flowchart 2.7—No Video, Part 2



## Flowchart 2.8—Nonfunctioning Port Replicator (if applicable)

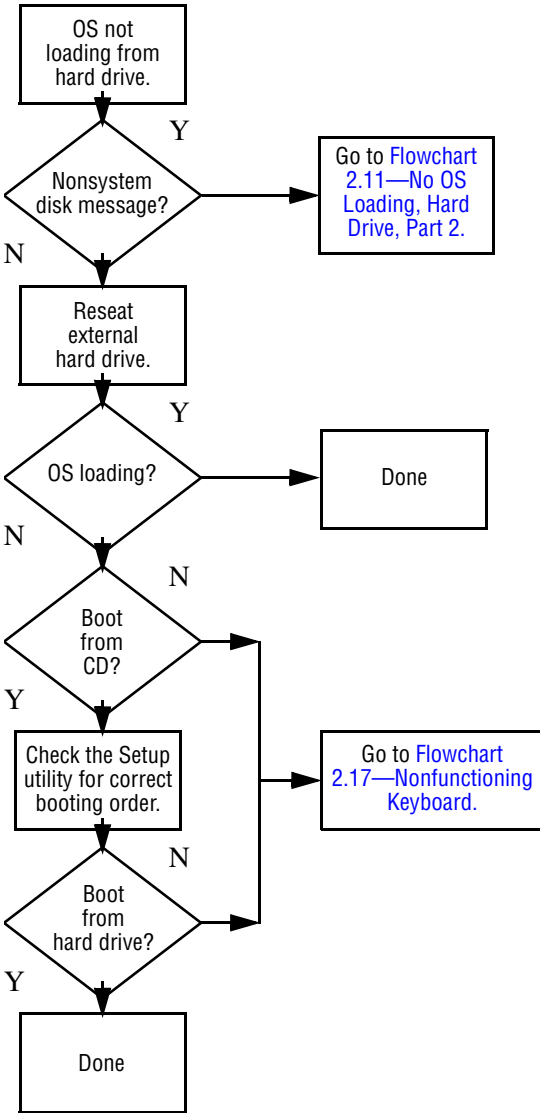


## Flowchart 2.9—No Operating System (OS) Loading

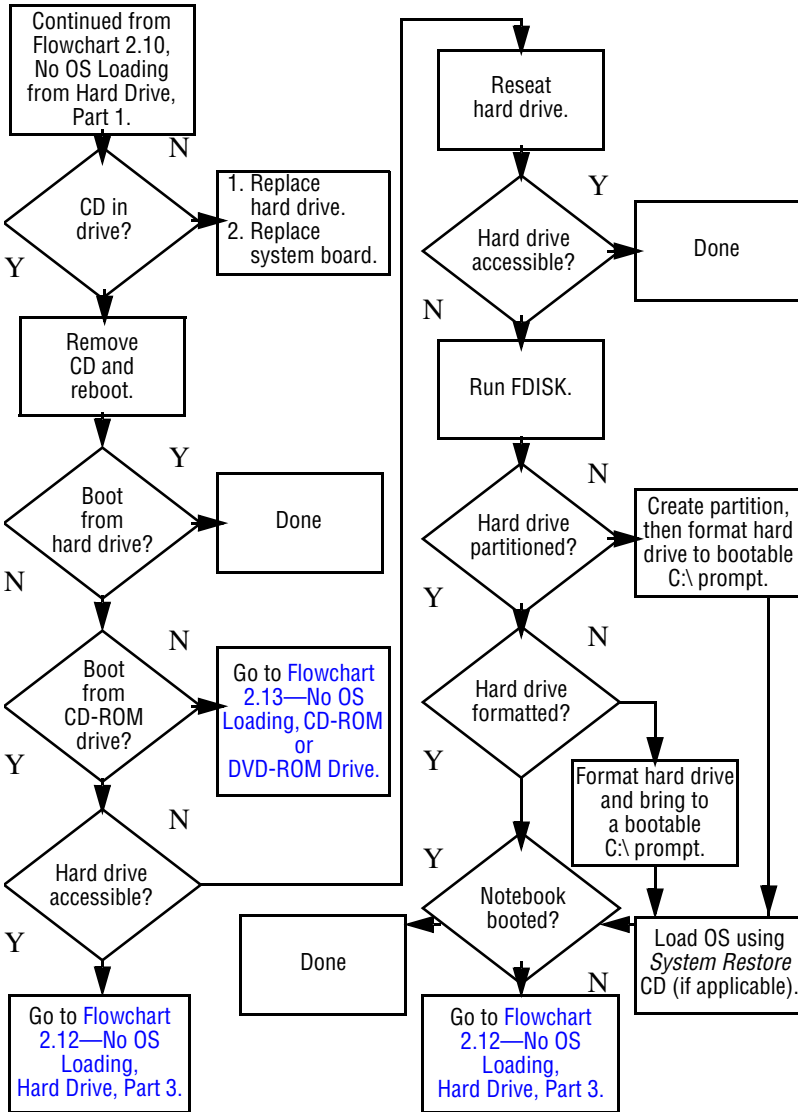


**\*NOTE:** Before beginning troubleshooting, always check cable connections, cable ends, and drives for bent or damaged pins.

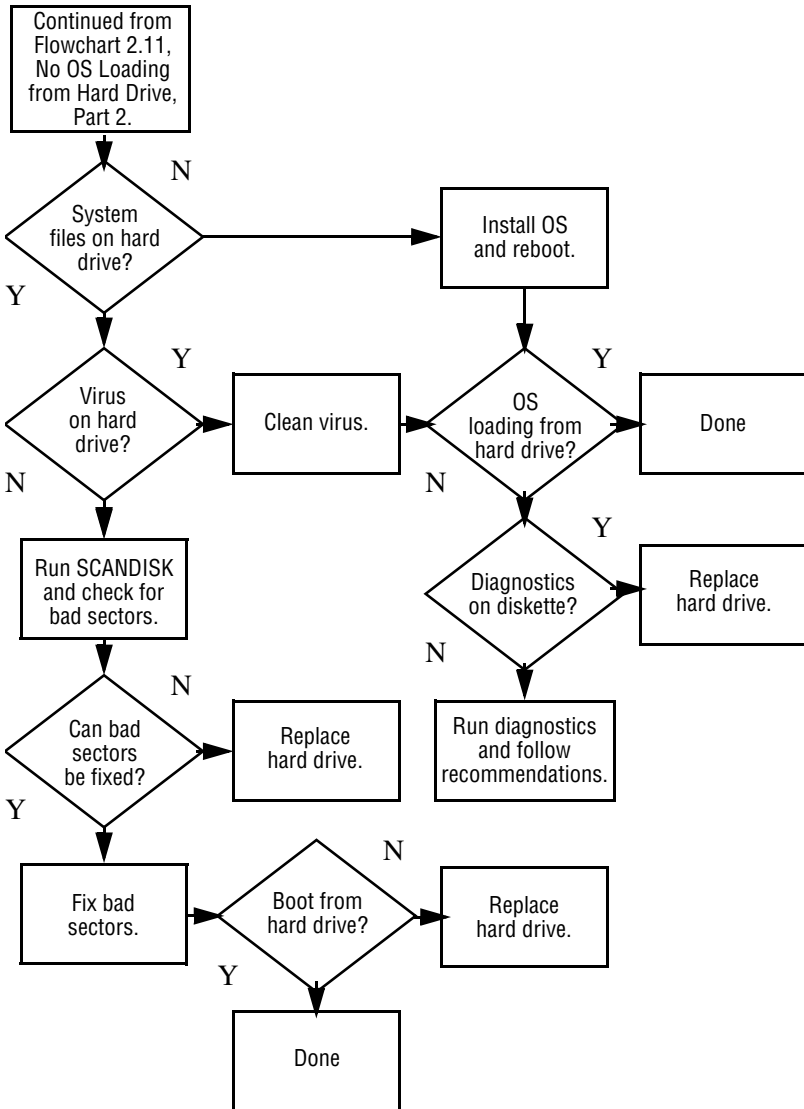
## Flowchart 2.10—No OS Loading, Hard Drive, Part 1



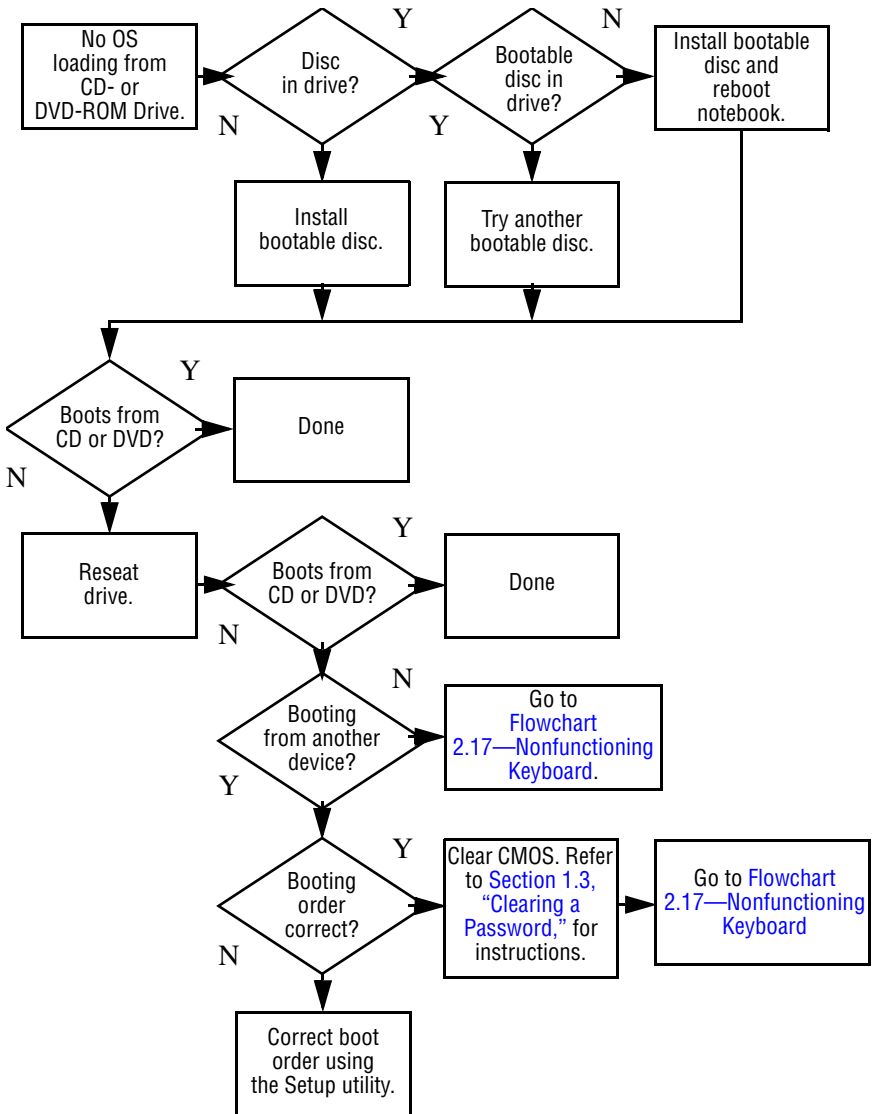
## Flowchart 2.11 – No OS Loading, Hard Drive, Part 2



## Flowchart 2.12—No OS Loading, Hard Drive, Part 3

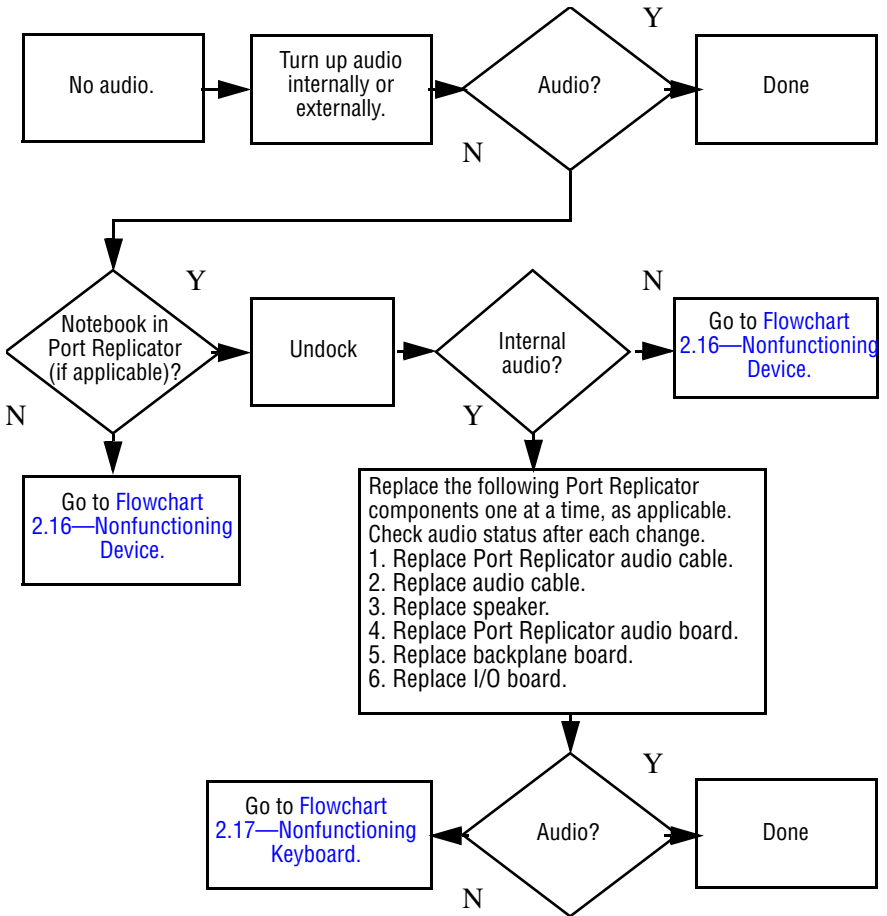


## Flowchart 2.13—No OS Loading, CD-ROM or DVD-ROM Drive

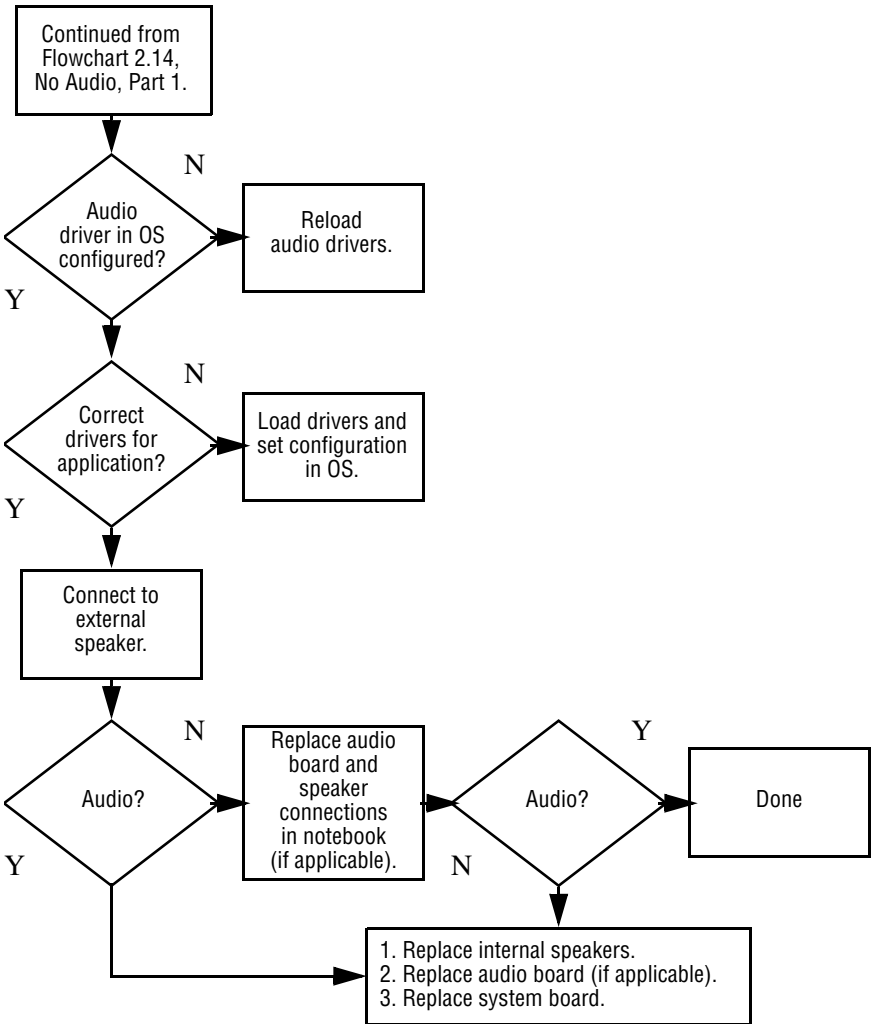




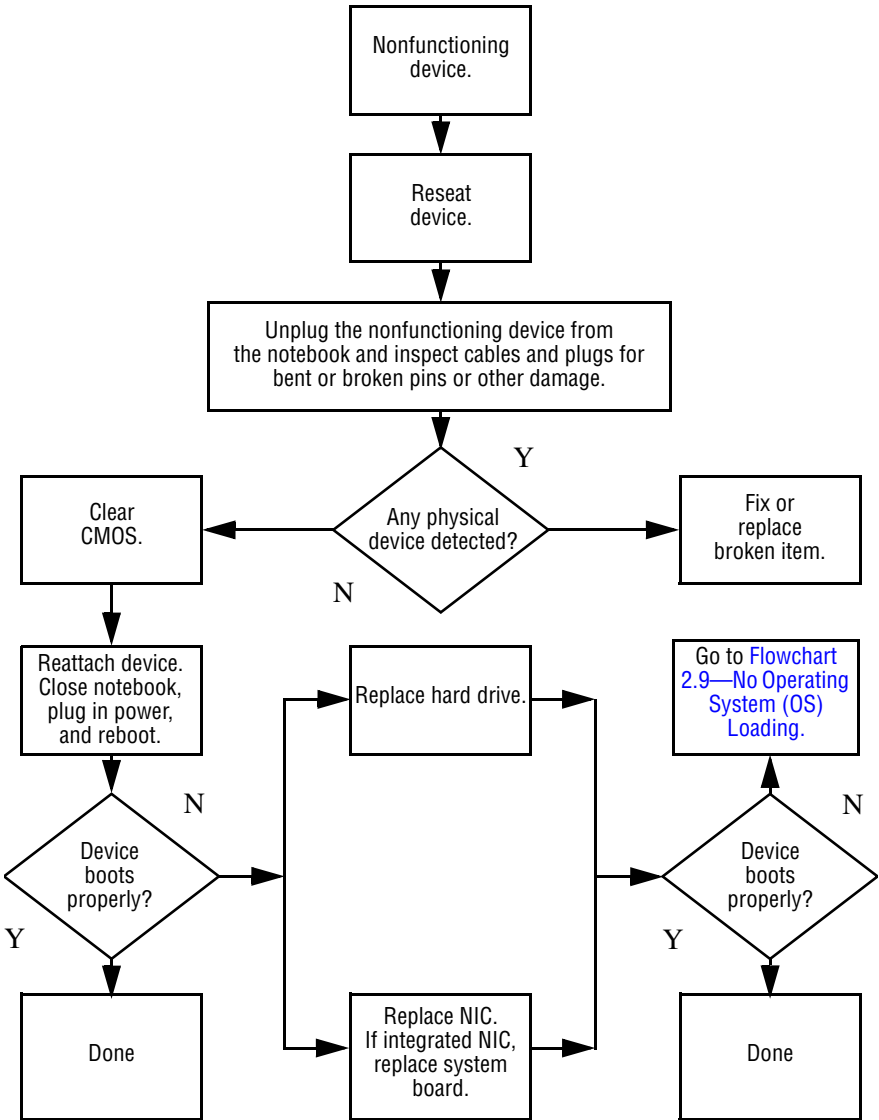
## Flowchart 2.14—No Audio, Part 1



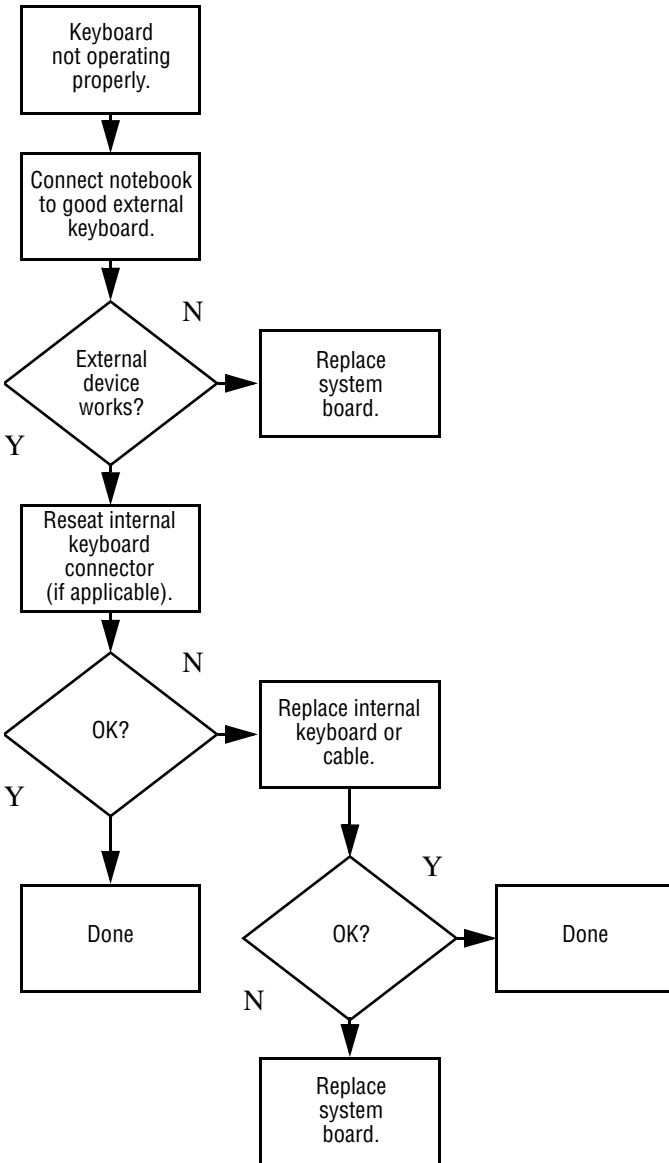
## Flowchart 2.15—No Audio, Part 2



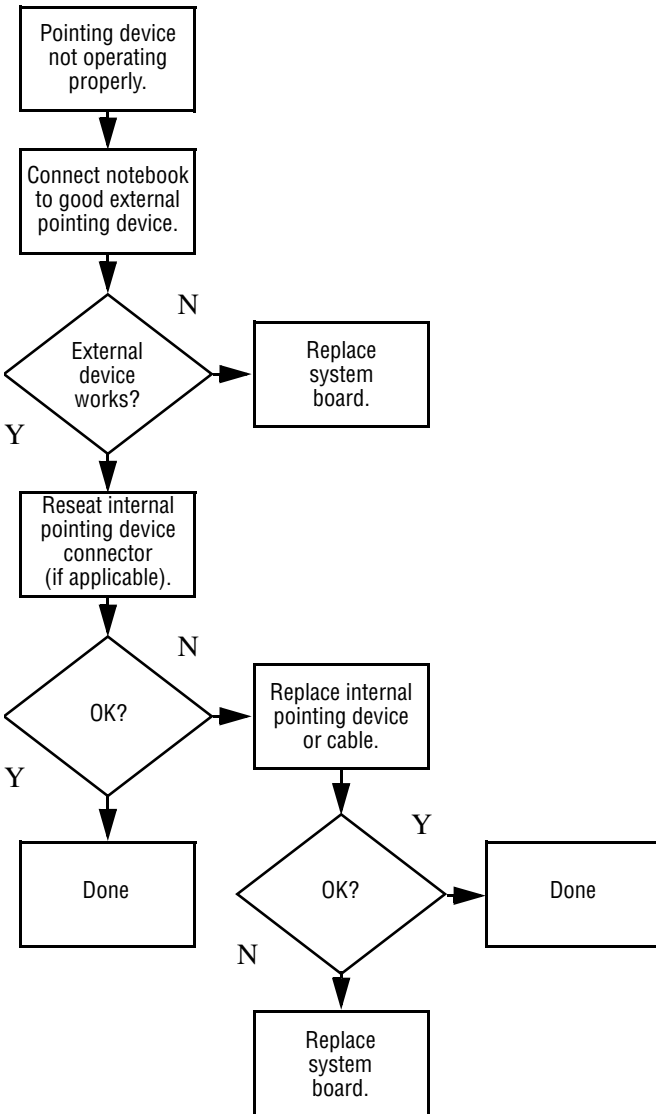
## Flowchart 2.16—Nonfunctioning Device



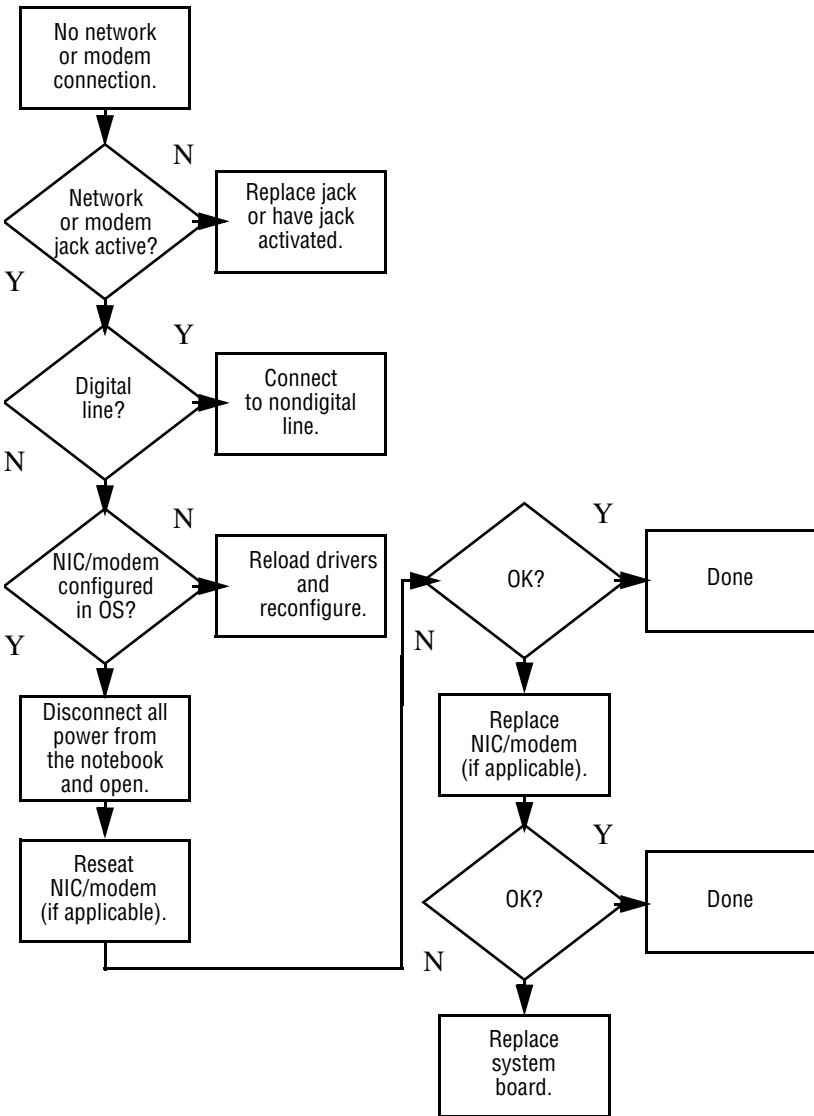
## Flowchart 2.17—Nonfunctioning Keyboard



## Flowchart 2.18—Nonfunctioning Pointing Device



## Flowchart 2.19—No Network/Modem Connection



---

## Illustrated Parts Catalog

This chapter provides an illustrated parts breakdown and a reference for spare part numbers and option part numbers.

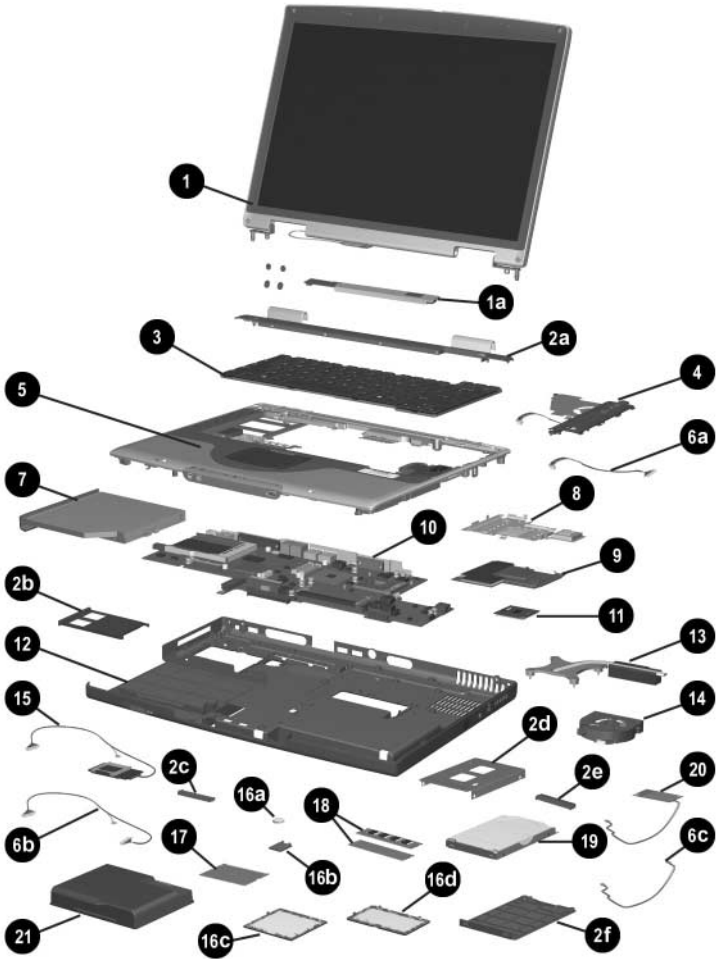
### 3.1 Serial Number Location

When ordering parts or requesting information, provide the notebook serial number and model number located on the bottom of the notebook.



*Serial Number Location*

## 3.2 Notebook Major Components



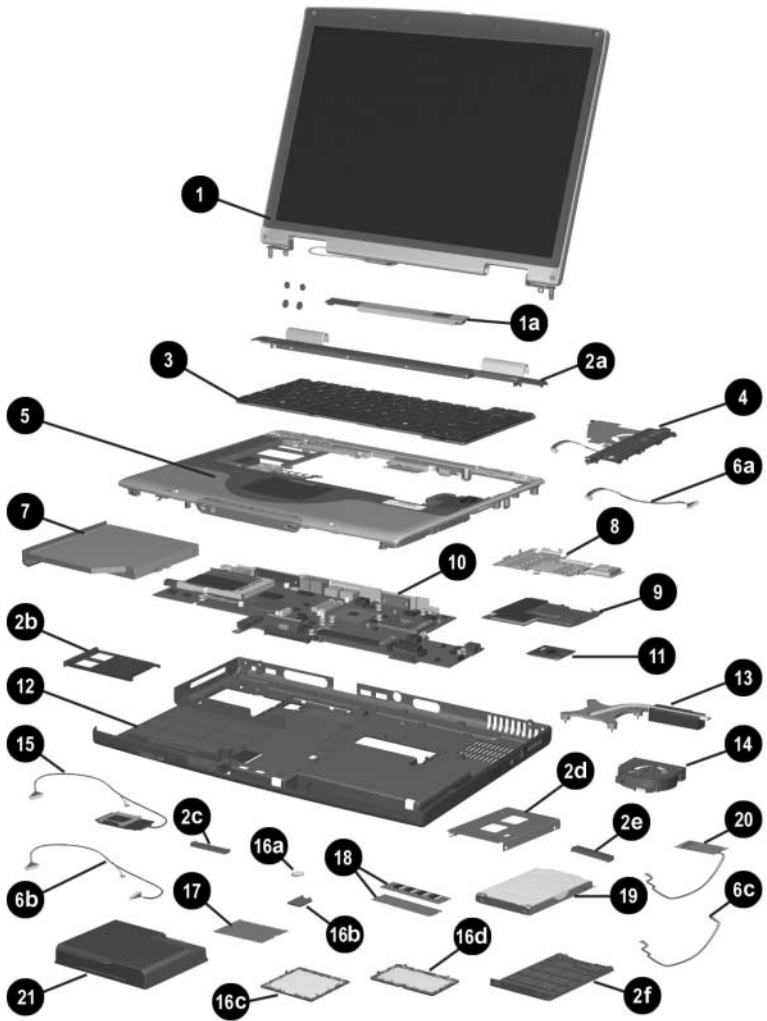
Notebook Major Components



Table 3-1

## Spare Parts: Notebook Major Components

| Item | Description   | Spare Part Number |
|------|---|-------------------|
| 1    | <b>Display assemblies</b>   |                   |
|      | With carbonite and platinum blue finish for use with HP Pavilion zt3000 notebooks |                   |
|      | 15.4-inch, WUXGA  | 350084-001        |
|      | 15.4-inch, WSXGA+   | 350127-001        |
|      | 15.4-inch, WXGA   | 350126-001        |
|      | With carbon finish for use with HP Compaq nx7000 notebooks                        |                   |
|      | 15.4-inch, WUXGA  | 337006-001        |
|      | 15.4-inch, WSXGA+   | 337003-001        |
|      | 15.4-inch, WXGA   | 337008-001        |
|      | With silver finish for use with Compaq Presario X1000 notebooks                   |                   |
|      | 15.4-inch, WUXGA  | 337005-001        |
|      | 15.4-inch, WSXGA+   | 337004-001        |
|      | 15.4-inch, WXGA   | 337007-001        |
| 1a   | <b>Display inverter</b> (includes 4 display rubber screw covers)                  | 336994-001        |

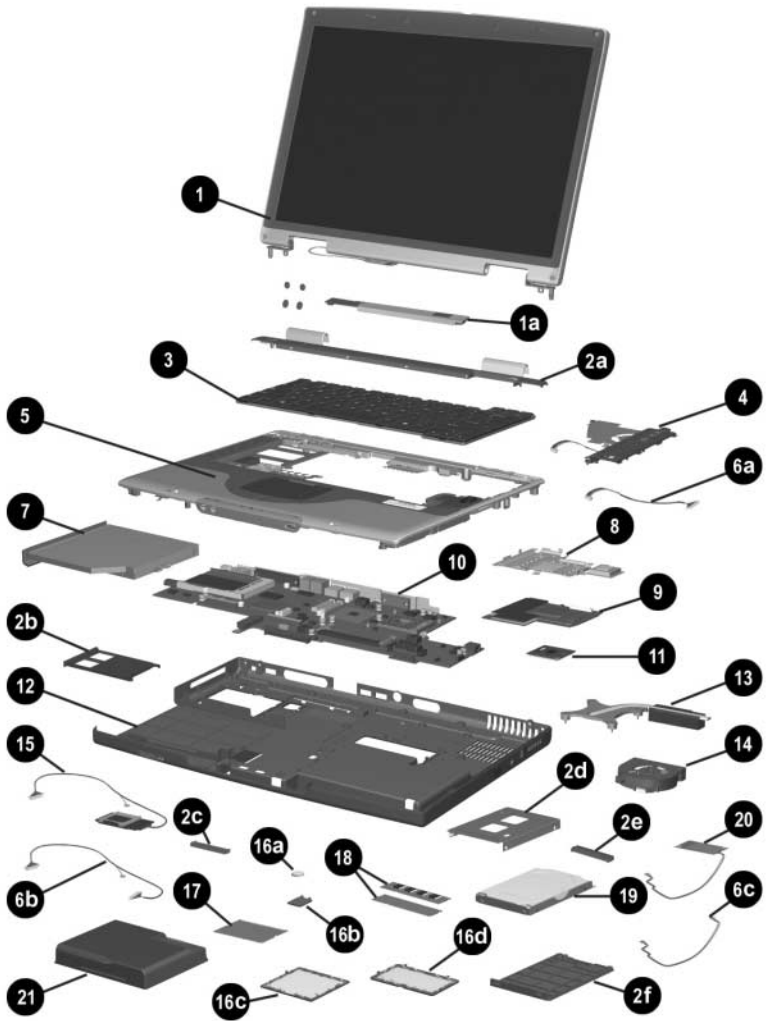


*Notebook Major Components*

Table 3-1

## Spare Parts: Notebook Major Components (Continued)

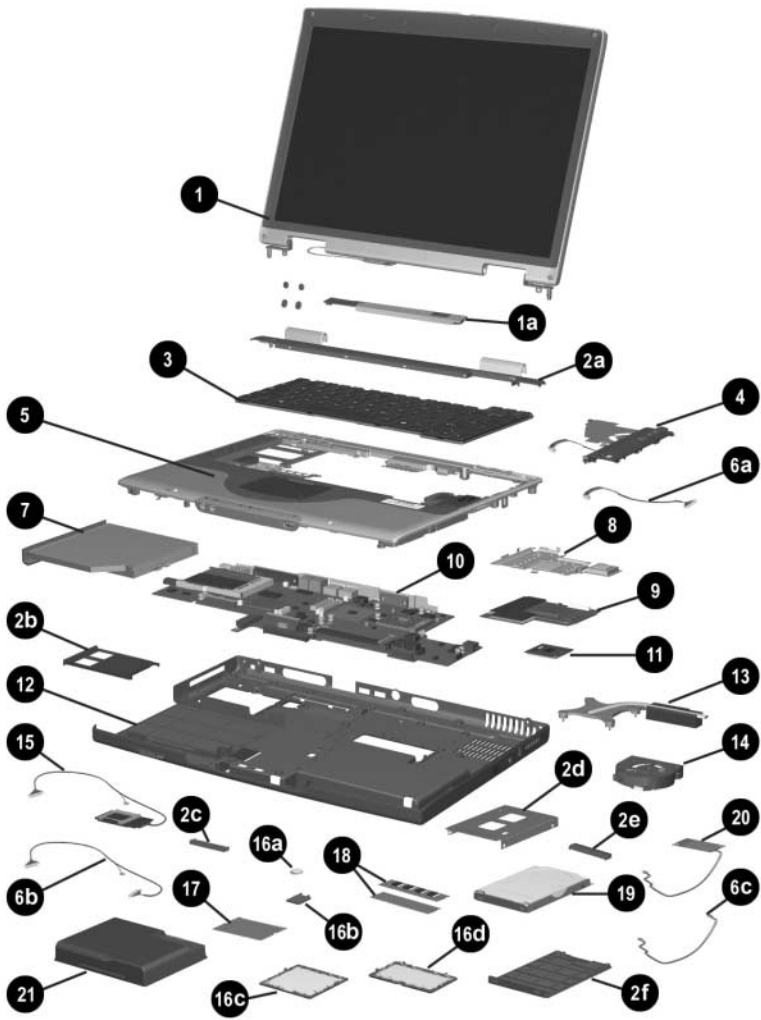
| Item                               | Description  | Spare Part Number |
|------------------------------------|--|-------------------|
| <b>Miscellaneous Plastics Kits</b> |  |                   |
|                                    | Contains parts with carbonite and platinum blue finish for use with HP Pavilion zt3000 notebooks | 350130-001        |
|                                    | Contains parts with carbon finish for use with HP Compaq nx7000 notebooks                        | 338133-001        |
|                                    | Contains parts with silver finish for use with Compaq Presario X1000 notebooks                   | 337009-001        |
|                                    | Include:   |                   |
| 2a                                 | Switch cover   |                   |
| 2b                                 | PC Card slot space saver   |                   |
| 2c                                 | Docking connector cover  |                   |
| 2d                                 | Hard drive shield  |                   |
| 2e                                 | Hard drive connector   |                   |
| 2f                                 | Hard drive cover   |                   |
|                                    | Notebook feet (not illustrated)  |                   |
| 3                                  | Keyboards  |                   |
|                                    | Asia Pacific   | 337016-371        |
|                                    | Australia  | 337016-011        |
|                                    | Belgium  | 337016-181        |
|                                    | Denmark  | 337016-081        |
|                                    | France   | 337016-051        |
|                                    | Germany  | 337016-041        |
|                                    | Greece   | 337016-151        |
|                                    | Hong Kong  | 337016-AC1        |
|                                    | International  | 337016-B31        |
|                                    | Italy  | 337016-061        |
|                                    | Korea  | 337016-AD1        |
|                                    | Latin America  | 337016-161        |
|                                    | The Netherlands  | 337016-331        |
|                                    | Norway   | 337016-091        |
|                                    | People's Republic of China   | 337016-AA1        |
|                                    | Portugal   | 337016-131        |
|                                    | Saudi Arabia   | 337016-171        |
|                                    | Spain  | 337016-071        |
|                                    | Switzerland  | 337016-111        |
|                                    | Taiwan   | 337016-AB1        |
|                                    | Thailand   | 337016-281        |
|                                    | United Kingdom   | 337016-031        |
|                                    | United States  | 337016-001        |



*Notebook Major Components*

**Table 3-1****Spare Parts: Notebook Major Components (Continued)**

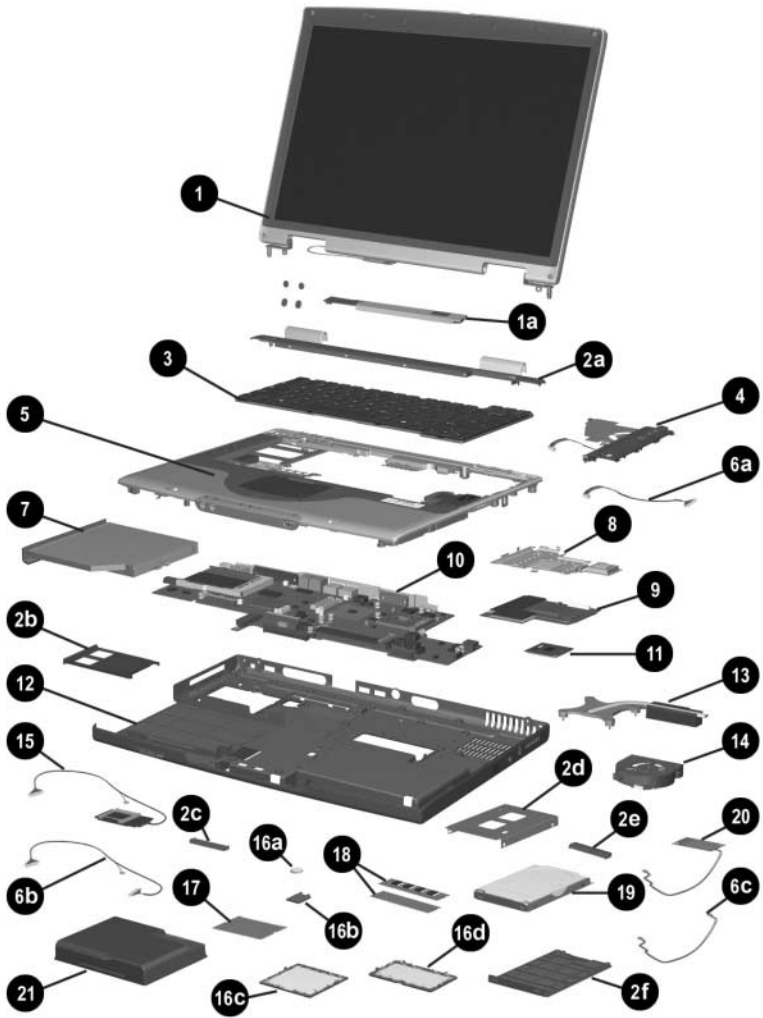
| <b>Item</b> | <b>Description</b>  | <b>Spare Part Number</b> |
|-------------|---|--------------------------|
| 4           | <b>Speaker covers with cable</b>                                    |                          |
|             | For use with HP Pavilion zt3000 notebooks                           | 350122-001               |
|             | For use with HP Compaq nx7000 and Compaq Presario X1000 notebooks   | 336973-001               |
| 5           | <b>Top covers</b> (include TouchPad and TouchPad shield)            |                          |
|             | For use with HP Pavilion zt3000 notebooks                           | 350123-001               |
|             | For use with HP Compaq nx7000 and Compaq Presario X1000 notebooks   | 336983-001               |
|             | <b>Bluetooth wireless communications board</b><br>(not illustrated) | 338134-001               |
|             | <b>Miscellaneous Cable Kit</b> , includes                           | 336973-001               |
| 6a          | Speaker cover cable   |                          |
| 6b          | SD Card slot board cable  |                          |
| 6c          | Modem board cable   |                          |
| 7           | <b>Optical drives</b>   |                          |
|             | 24X Max DVD/CD-RW Combo Drive                                       | 336987-001               |
|             | 8X Max DVD-ROM Drive  | 336986-001               |
|             | 24X Max CD-ROM Drive  | 336985-001               |
|             | 8X Max DVD+RW/R and CD-RW Combo Drive                               | 345588-001               |



*Notebook Major Components*

**Table 3-1****Spare Parts: Notebook Major Components (Continued)**

| <b>Item</b> | <b>Description</b>  | <b>Spare Part Number</b> |
|-------------|---|--------------------------|
| 8           | <b>VGA board shield</b> (includes thermal pads)                                       | 337013-001               |
| 9           | <b>VGA boards</b> (include thermal pads)<br>For use with HP Pavilion zt3000 notebooks |                          |
|             | ATI MOBILITY RADEON 9200 w/64-MB memory   | 350129-001               |
|             | ATI MOBILITY RADEON 9200 w/ 32-MB memory  | 350128-001               |
|             | For use with HP Compaq nx7000 and<br>Compaq Presario X1000 notebooks                  |                          |
|             | ATI MOBILITY RADEON 9200 w/64-MB memory   | 336970-001               |
|             | ATI MOBILITY RADEON 9200 w/ 32-MB memory  | 336969-001               |
|             | ATI MOBILITY RADEON 7500 w/ 32-MB memory  | 336968-001               |
| 10          | <b>System board</b> (includes thermal pads)   | 336964-001               |
|             | <b>PC Card assembly</b> (not illustrated)   | 337014-001               |
| 11          | <b>Processors</b> (include thermal pads)  |                          |
|             | Intel Pentium M, 2.0-GHz  | 360612-001               |
|             | Intel Pentium M, 1.8-GHz  | 360611-001               |
|             | Intel Pentium M, 1.7-GHz  | 345566-001               |
|             | Intel Pentium M, 1.6-GHz  | 337011-001               |
|             | Intel Pentium M, 1.5-GHz  | 337023-001               |
|             | Intel Pentium M, 1.4-GHz  | 337024-001               |
|             | Intel Pentium M, 1.3-GHz  | 337010-001               |
|             | Intel Celeron M, 1.3-GHz  | 337010-001               |
|             | Intel Celeron M, 1.2-GHz  | 360613-001               |
| 12          | <b>Base enclosure</b> (includes infrared lens)  | 336960-001               |
|             | <b>Left and right wireless antennae with cables</b><br>(not illustrated)              | 336959-001               |
|             | <b>Left and right speakers</b> (not illustrated)                                      | 337015-001               |

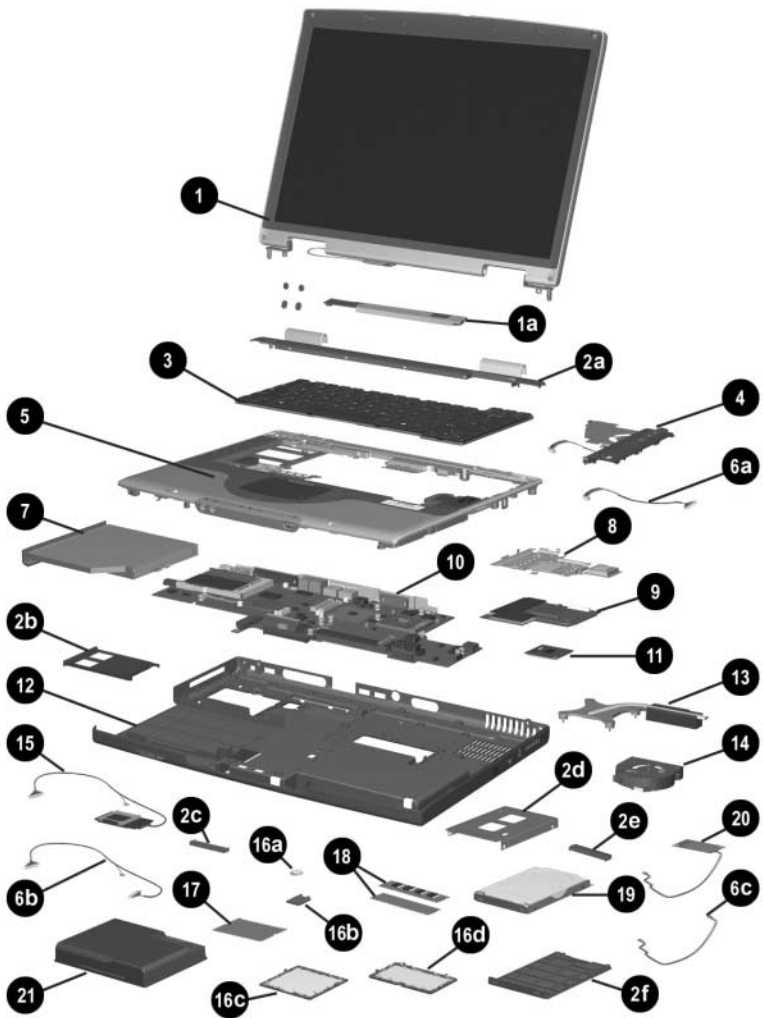


*Notebook Major Components*



**Table 3-1****Spare Parts: Notebook Major Components (Continued)**

| <b>Item</b> | <b>Description</b>                                | <b>Spare Part Number</b> |
|-------------|---|--------------------------|
| 13          | <b>Heat sink with fan</b>                         | 337000-001               |
|             | <b>Thermal pad</b> (not illustrated)              | 337001-001               |
| 14          | <b>Fan</b>  | 336993-001               |
| 15          | <b>SD Card slot board with cable</b>              | 336963-001               |
|             | <b>Miscellaneous Doors/Covers Kit</b> , includes: | 336984-001               |
| 16a         | RTC battery                                       |                          |
| 16b         | RTC battery cover                                 |                          |
| 16c         | Mini PCI compartment cover                        |                          |
| 16d         | Memory module compartment cover                   |                          |
| 17          | <b>Mini PCI communications boards</b>             |                          |
|             | Mini PCI 802.11b wireless LAN (ROW)               | 336976-001               |
|             | Mini PCI 802.11b wireless LAN (MOW)               | 336977-001               |
|             | Mini PCI 802.11g wireless LAN                     | 350083-001               |
| 18          | <b>Memory modules</b>                             |                          |
|             | 1024-MB DDR333                                    | 355927-001               |
|             | 1024-MB DDR266                                    | 339099-001               |
|             | 512-MB DDR333                                     | 355926-001               |
|             | 512-MB DDR266                                     | 336998-001               |
|             | 256-MB DDR333                                     | 355925-001               |
|             | 256-MB DDR266                                     | 336997-001               |
|             | 128-MB DDR256                                     | 336996-001               |



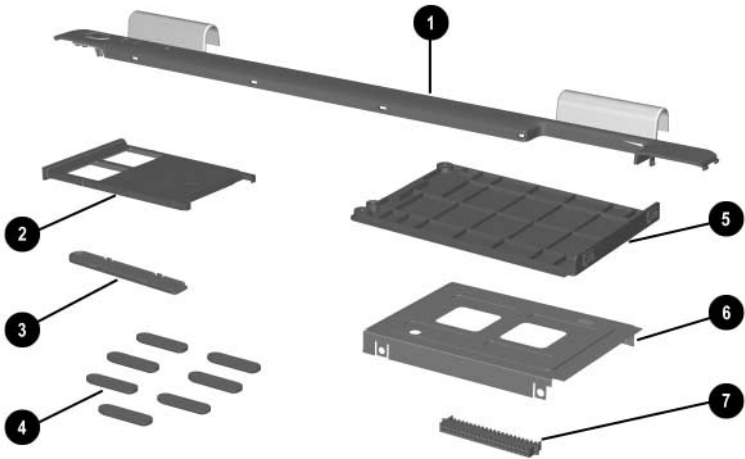
*Notebook Major Components*

Table 3-1

**Spare Parts: Notebook Major Components (Continued)**

| <b>Item</b> | <b>Description</b>   | <b>Spare Part Number</b> |
|-------------|--|--------------------------|
| 19          | <b>Hard drives</b> (hard drive cover, shield, and connector included with hard drive and in Miscellaneous Plastics Kits) |                          |
|             | 80-GB (5400-rpm)   | 350082-001               |
|             | 80-GB (4200-rpm)   | 336992-001               |
|             | 60-GB (5400-rpm)   | 336991-001               |
|             | 60-GB (4200-rpm)   | 336990-001               |
|             | 40-GB (4200-rpm)   | 336989-001               |
|             | 30-GB (4200-rpm)   | 350081-001               |
| 20          | <b>Modem board with cable</b>  | 336999-001               |
| 21          | <b>Battery pack, 8-cell, 4.4-wH</b>  | 336962-001               |

### 3.3 Miscellaneous Plastics Kit Components



*Miscellaneous Plastics Kit Components*

**Table 3-2**

**Miscellaneous Plastics Kit Components**

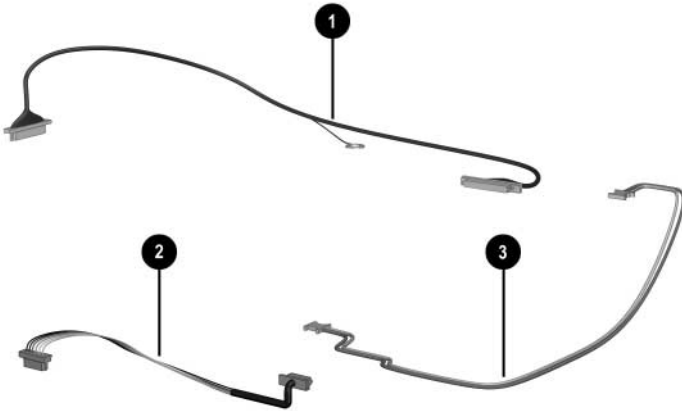
**Spare Part Number 350130-001**  
**(contains parts with carbonite and platinum blue finish**  
**for use with HP Pavilion zt3000 notebooks)**

**Spare Part Number 338133-001**  
**(contains parts with carbon finish for use with**  
**HP Compaq nx7000 notebooks)**

**Spare Part Number 337009-001**  
**(contains parts with silver finish for use with**  
**Compaq Presario X1000 notebooks)**

| <b>Item</b> | <b>Description</b>       |
|-------------|--------------------------|
| 1           | Switch cover             |
| 2           | PC Card slot space saver |
| 3           | Docking connector cover  |
| 4           | Notebook feet (7)        |
| 5           | Hard drive cover         |
| 6           | Hard drive shield        |
| 7           | Hard drive connector     |

### 3.4 Miscellaneous Cable Kit Components



*Miscellaneous Cable Kit Components*

---

**Table 3-3**

**Miscellaneous Cable Kit Components**

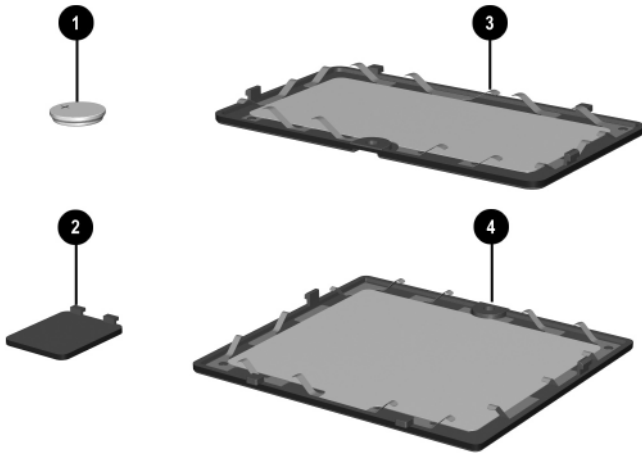
**Spare Part Number 336973-001**

---

| <b>Item</b> | <b>Description</b>       |
|-------------|--------------------------|
| 1           | SD Card slot board cable |
| 2           | Speaker cover cable      |
| 3           | Modem cable              |

---

### 3.5 Miscellaneous Doors/Covers Kit Components



*Miscellaneous Doors/Covers Kit Components*

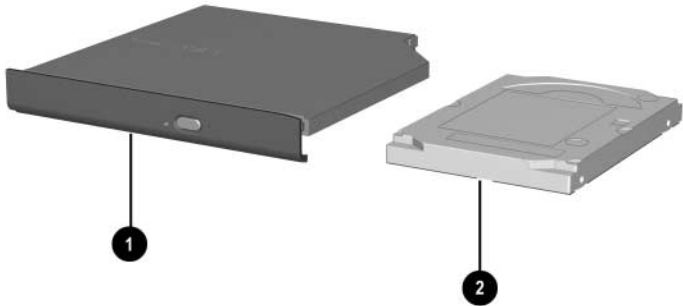
**Table 3-4**

**Miscellaneous Doors/Covers Kit Components**

**Spare Part Number 336984-001**

| <b>Item</b> | <b>Description</b>              |
|-------------|---------------------------------|
| 1           | RTC battery                     |
| 2           | RTC battery cover               |
| 3           | Memory module compartment cover |
| 4           | Mini PCI compartment cover      |

## 3.6 Mass Storage Devices



Mass Storage Devices

Table 3-5

### Mass Storage Devices

#### Spare Part Number Information

| Item | Description  | Spare Part Number |
|------|--|-------------------|
| 1    | <b>Optical drives</b>  |                   |
|      | 24X Max DVD/CD-RW Combo Drive  | 336987-001        |
|      | 8X Max DVD-ROM Drive   | 336986-001        |
|      | 24X Max CD-ROM Drive   | 336985-001        |
|      | 8X Max DVD+RW/R and CD-RW Combo Drive  | 345588-001        |
| 2    | <b>Hard drives</b> (includes cover, shield, connector, bezel, and frame (not shown)) |                   |
|      | 80-GB (5400-rpm)   | 350082-001        |
|      | 80-GB (4200-rpm)   | 336992-001        |
|      | 60-GB (5400-rpm)   | 336991-001        |
|      | 60-GB (4200-rpm)   | 336990-001        |
|      | 40-GB (4200-rpm)   | 336989-001        |
|      | 30-GB (4200-rpm)   | 350081-001        |
|      | <b>USB diskette drive</b> (not illustrated)  | 336988-001        |



## 3.7 Miscellaneous

**Table 3-6**

**Miscellaneous (not illustrated)**

**Spare Part Information**

| <b>Description</b>                           |            | <b>Spare Part Number</b>              |
|--|------------|---------------------------------------|
| <b>AC adapter</b>                            |            | 338136-001                            |
| <b>Logo Kits</b>                             |            |                                       |
| For use with HP Pavilion zt3000 notebooks    |            | 350125-001                            |
| For use with HP Compaq nx7000 notebooks      |            | 336995-001                            |
| For use with Compaq Presario X1000 notebooks |            | 338135-001                            |
| <b>Power cords</b>                           |            |                                       |
| For use with HP Pavilion zt3000 notebooks    |            |                                       |
| Asia Pacific                                 | 350055-371 | The Netherlands 350055-331            |
| Australia                                    | 350055-011 | Norway 350055-091                     |
| Belgium                                      | 350055-181 | People's Republic of China 350055-AA1 |
| Denmark                                      | 350055-081 | Portugal 350055-131                   |
| Europe                                       | 350055-021 | Saudi Arabia 350055-171               |
| France                                       | 350055-051 | Spain 350055-071                      |
| Germany                                      | 350055-041 | Switzerland 350055-111                |
| Greece                                       | 350055-151 | Taiwan 350055-AB1                     |
| Hong Kong                                    | 350055-AC1 | Thailand 350055-281                   |
| Italy  | 350055-061 | United Kingdom 350055-031             |
| Korea  | 350055-AD1 | United States 350055-001              |
| Latin America                                | 350055-161 |                                       |

**Table 3-6**

**Miscellaneous (not illustrated)**

**Spare Part Information (Continued)**

| Description   |            |                           | Spare Part Number |
|---|------------|---------------------------|-------------------|
| <b>Power cords</b>  |            |                           |                   |
| For use with HP Compaq nx7000 and Compaq Presario X1000 notebooks   |            |                           |                   |
| Australia   | 246959-011 | Japan                     | 246959-291        |
| Denmark   | 246959-081 | Korea                     | 246959-AD1        |
| Europe/Middle   |            | Switzerland               | 246959-AG1        |
| East/Africa   | 246959-021 | United Kingdom            | 246959-031        |
| Italy   | 246959-061 | United States             | 246959-001        |
| <b>Screw Kit</b> (includes the following screws; refer to <a href="#">Appendix C, "Screw Listing,"</a> for more information on screw specifications and usage.) |            |                           | 337012-001        |
| ■ Phillips M2.5×15.0 screw  |            | ■ Phillips M2.5×3.5 screw |                   |
| ■ Phillips M2.5×7.0 screw   |            | ■ Phillips M2.5×3.0 screw |                   |
| ■ Phillips M2.5×5.0 screw   |            | ■ Phillips M2.0×3.0 screw |                   |
| ■ Spring-loaded Phillips M2.0×9.0 screw   |            |                           |                   |

---

## Removal and Replacement Preliminaries

This chapter provides essential information for proper and safe removal and replacement service.

### 4.1 Tools Required

You will need the following tools to complete the removal and replacement procedures:

- Magnetic screwdriver
- Phillips P0 screwdriver
- 5.0-mm socket for system board standoffs
- Flat-bladed screwdriver
- Tool kit (includes connector removal tool, loopback plugs, and case utility tool)

## 4.2 Service Considerations

The following sections include some of the considerations that you should keep in mind during disassembly and assembly procedures.



As you remove each subassembly from the notebook, place the subassembly (and all accompanying screws) away from the work area to prevent damage.

---

### Plastic Parts

Using excessive force during disassembly and reassembly can damage plastic parts. Use care when handling the plastic parts. Apply pressure only at the points designated in the maintenance instructions.

### Cables and Connectors



**CAUTION:** When servicing the notebook, ensure that cables are placed in their proper locations during the reassembly process. Improper cable placement can damage the notebook.

---

Cables must be handled with extreme care to avoid damage. Apply only the tension required to unseat or seat the cables during removal and insertion. Handle cables by the connector whenever possible. In all cases, avoid bending, twisting, or tearing cables. Ensure that cables are routed in such a way that they cannot be caught or snagged by parts being removed or replaced. Handle flex cables with extreme care; these cables tear easily.

## 4.3 Preventing Damage to Removable Drives

Removable drives are fragile components that must be handled with care. To prevent damage to the notebook, damage to a removable drive, or loss of information, observe the following precautions:

- Before removing or inserting a hard drive, shut down the notebook. If you are unsure whether the notebook is off or in Hibernation, turn the notebook on, then shut it down.
- Before removing a diskette drive or optical drive, ensure that a diskette or disc is not in the drive. Ensure that the optical drive tray is closed.
- Before handling a drive, ensure that you are discharged of static electricity. While handling a drive, avoid touching the connector.
- Handle drives on surfaces that have at least one inch of shock-proof foam.
- Avoid dropping drives from any height onto any surface.
- After removing a hard drive, CD-ROM Drive, or a diskette drive, place it in a static-proof bag.
- Avoid exposing a hard drive to products that have magnetic fields, such as monitors or speakers.
- Avoid exposing a drive to temperature extremes or liquids.
- If a drive must be mailed, place the drive in a bubble pack mailer or other suitable form of protective packaging and label the package, "Fragile: Handle With Care."

## 4.4 Preventing Electrostatic Damage

Many electronic components are sensitive to electrostatic discharge (ESD). Circuitry design and structure determine the degree of sensitivity. Networks built into many integrated circuits provide some protection, but in many cases, the discharge contains enough power to alter device parameters or melt silicon junctions.

A sudden discharge of static electricity from a finger or other conductor can destroy static-sensitive devices or microcircuitry. Often the spark is neither felt nor heard, but damage occurs.

An electronic device exposed to electrostatic discharge might not be affected at all and can work perfectly throughout a normal cycle. Or the device might function normally for a while, then degrade in the internal layers, reducing its life expectancy.

## 4.5 Packaging and Transporting Precautions

Use the following grounding precautions when packaging and transporting equipment:

- To avoid hand contact, transport products in static-safe containers, such as tubes, bags, or boxes.
- Protect all electrostatic-sensitive parts and assemblies with conductive or approved containers or packaging.
- Keep electrostatic-sensitive parts in their containers until the parts arrive at static-free workstations.
- Place items on a grounded surface before removing items from their containers.

- Always be properly grounded when touching a sensitive component or assembly.
- Store reusable electrostatic-sensitive parts from assemblies in protective packaging or nonconductive foam.
- Use transporters and conveyors made of antistatic belts and roller bushings. Ensure that mechanized equipment used for moving materials is wired to ground and that proper materials are selected to avoid static charging. When grounding is not possible, use an ionizer to dissipate electric charges.

## 4.6 Workstation Precautions

Use the following grounding precautions at workstations:

- Cover the workstation with approved static-shielding material (refer to “[Table 4-2 Static-Shielding Materials](#)”).
- Use a wrist strap connected to a properly grounded work surface and use properly grounded tools and equipment.
- Use conductive field service tools, such as cutters, screwdrivers, and vacuums.
- When using fixtures that must directly contact dissipative surfaces, only use fixtures made of static-safe materials.
- Keep the work area free of nonconductive materials, such as ordinary plastic assembly aids and Styrofoam.
- Handle electrostatic-sensitive components, parts, and assemblies by the case or PCM laminate. Handle these items only at static-free workstations.
- Avoid contact with pins, leads, or circuitry.
- Turn off power and input signals before inserting or removing connectors or test equipment.

## 4.7 Grounding Equipment and Methods

Grounding equipment must include either a wrist strap or a foot strap at a grounded workstation.

- When seated, wear a wrist strap connected to a grounded system. Wrist straps are flexible straps with a minimum of one megohm  $\pm 10\%$  resistance in the ground cords. To provide proper ground, wear a strap snugly against the skin at all times. On grounded mats with banana-plug connectors, use alligator clips to connect a wrist strap.
- When standing, use foot straps and a grounded floor mat. Foot straps (heel, toe, or boot straps) can be used at standing workstations and are compatible with most types of shoes or boots. On conductive floors or dissipative floor mats, use foot straps on both feet with a minimum of one megohm resistance between the operator and ground. To be effective, the conductive strips must be worn in contact with the skin.

Other grounding equipment recommended for use in preventing electrostatic damage includes:

- Antistatic tape
- Antistatic smocks, aprons, and sleeve protectors
- Conductive bins and other assembly or soldering aids
- Nonconductive foam
- Conductive tabletop workstations with ground cords of one megohm resistance
- Static-dissipative tables or floor mats with hard ties to the ground
- Field service kits
- Static awareness labels
- Material-handling packages



- Nonconductive plastic bags, tubes, or boxes
- Metal tote boxes
- Electrostatic voltage levels and protective materials

Table 4-1 shows how humidity affects the electrostatic voltage levels generated by different activities.

**Table 4-1**  
**Typical Electrostatic Voltage Levels**

| Event                           | Relative Humidity |          |         |
|---------------------------------|-------------------|----------|---------|
|                                 | 10%               | 40%      | 55%     |
| Walking across carpet           | 35,000 V          | 15,000 V | 7,500 V |
| Walking across vinyl floor      | 12,000 V          | 5,000 V  | 3,000 V |
| Motions of bench worker         | 6,000 V           | 800 V    | 400 V   |
| Removing DIPS from plastic tube | 2,000 V           | 700 V    | 400 V   |
| Removing DIPS from vinyl tray   | 11,500 V          | 4,000 V  | 2,000 V |
| Removing DIPS from Styrofoam    | 14,500 V          | 5,000 V  | 3,500 V |
| Removing bubble pack from PCB   | 26,500 V          | 20,000 V | 7,000 V |
| Packing PCBs in foam-lined box  | 21,000 V          | 11,000 V | 5,000 V |


 A product can be degraded by as little as 700 V.

Table 4-2 lists the shielding protection provided by antistatic bags and floor mats.

---

**Table 4-2**  
**Static-Shielding Materials**

| <b>Material</b>       | <b>Use</b> | <b>Voltage Protection Level</b> |
|-----------------------|------------|---------------------------------|
| Antistatic plastic    | Bags       | 1,500 V                         |
| Carbon-loaded plastic | Floor mats | 7,500 V                         |
| Metallized laminate   | Floor mats | 5,000 V                         |

---

# 5

---

## Removal and Replacement Procedures

This chapter provides removal and replacement procedures.

There are 50 Phillips screws, in 9 different sizes, that must be removed, replaced, and/or loosened when servicing the notebook. Make special note of each screw size and location during removal and replacement.

Refer to [Appendix C, “Screw Listing,”](#) for detailed information on screw sizes, locations, and usage.

## 5.1 Serial Number

Report the notebook serial number to HP when requesting information or ordering spare parts. The serial number is located on the bottom of the notebook on the Service Tag.



*Serial Number Location*

## 5.2 Disassembly Sequence Chart

Use the following chart to determine the section number to be referenced when removing notebook components.

| <b>Disassembly Sequence Chart</b> |   |                            |
|-----------------------------------|---|----------------------------|
| <b>Section</b>                    | <b>Description</b>                            | <b># of Screws Removed</b> |
| 5.3                               | <b>Preparing the notebook for disassembly</b> |                            |
|                                   | Battery pack                                  | 0                          |
|                                   | Hard drive                                    | 2                          |
|                                   | Hard drive cover and shield                   | 4                          |
| 5.4                               | <b>Notebook feet</b>                          | 0                          |
| 5.5                               | <b>Memory module</b>                          | 1                          |
| 5.6                               | <b>Mini PCI communications board</b>          | 1                          |
| 5.7                               | <b>RTC battery</b>                            | 0                          |
| 5.8                               | <b>Optical drive</b>                          | 1                          |
| 5.9                               | <b>Keyboard</b>                               | 2                          |
| 5.10                              | <b>Switch cover</b>                           | 0                          |
| 5.11                              | <b>Speaker cover</b>                          | 4                          |
| 5.12                              | <b>Fan</b>                                    | 1                          |
| 5.13                              | <b>Heat sink</b>                              | 4                          |
| 5.14                              | <b>Processor</b>                              | 0                          |
| 5.15                              | <b>Display assembly</b>                       | 7                          |
| 5.16                              | <b>Top cover</b>                              | 16                         |
| 5.17                              | <b>Bluetooth board</b>                        | 2                          |
| 5.18                              | <b>SD Card slot board and cable</b>           | 2                          |
| 5.19                              | <b>VGA board and shield</b>                   | 2                          |
| 5.20                              | <b>Modem board and cable</b>                  | 0                          |
| 5.21                              | <b>System board</b>                           | 1                          |

## **5.3 Preparing the Notebook for Disassembly**

Before you begin any removal or installation procedures:

1. Shut down the notebook. If unsure about the power state, turn the computer on and then shut it down through the operating system.
2. Disconnect all external devices connected to the notebook, including the power cord.

---

## Spare Part Number Information

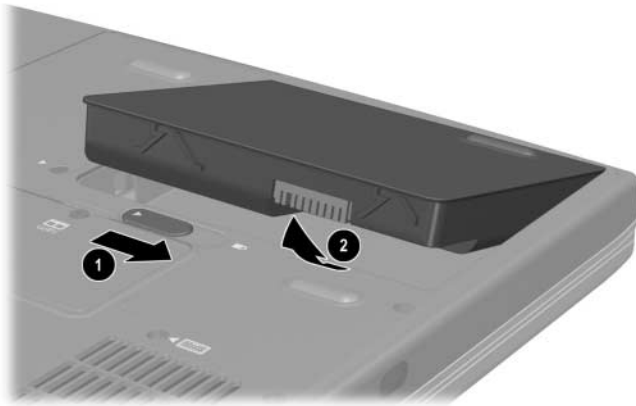
---

**Battery pack, 8-cell, 4.4-wH**

336962-001

---

3. Remove the battery pack using the following steps:
  - a. Turn the notebook upside down, with the rear panel toward you.
  - b. Slide and hold ❶ the battery release latch to the right. The front edge of the battery pack releases from the notebook.
  - c. Lift the front edge of the battery pack up and swing it back ❷.



*Removing the Battery Pack*

- d. Remove the battery pack.
- Reverse the above procedure to install the battery pack.

---

### Spare Part Number Information

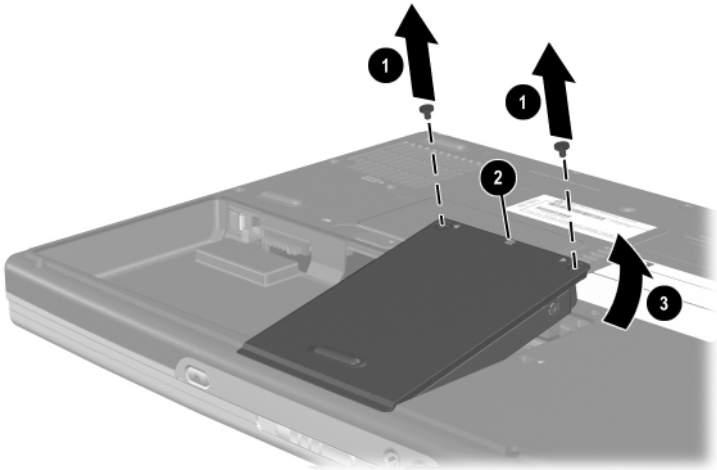
---

**Hard drives** (hard drive cover, shield, and connector included with hard drive and in Miscellaneous Plastics Kits)

|                  |            |
|------------------|------------|
| 80-GB (5400-rpm) | 350082-001 |
| 80-GB (4200-rpm) | 336992-001 |
| 60-GB (5400-rpm) | 336991-001 |
| 60-GB (4200-rpm) | 336990-001 |
| 40-GB (4200-rpm) | 336989-001 |
| 30-GB (4200-rpm) | 350081-001 |

---

4. Remove the hard drive by following these steps:
  - a. Turn the notebook upside down, with the front toward you.
  - b. Remove the 2 PM2.5×9.5 screws ❶ that secure the hard drive to the notebook.
  - c. Use the notch ❷ on the hard drive cover to lift the rear edge of the hard drive up and swing it forward ❸.



*Removing the Hard Drive*

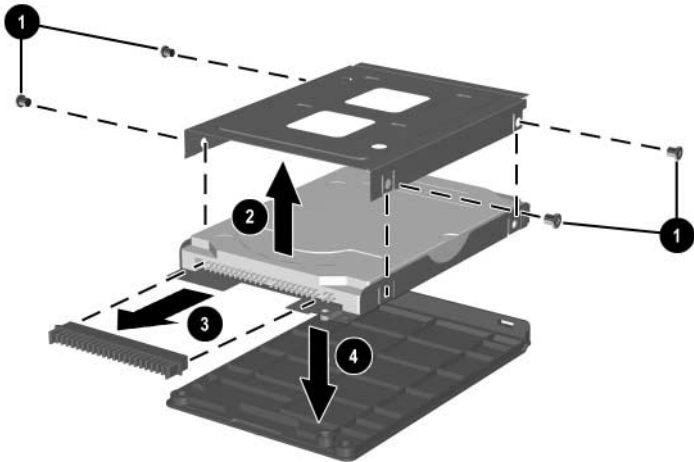


- d. Remove the hard drive.



**CAUTION:** The hard drive cover should be removed only if it is damaged and must be replaced. Unnecessarily removing the cover can result in loss of information and damage to the cover and to the hard drive.

- e. Remove the 4 PM2.5×3.5 screws **1** that secure the hard drive to the hard drive cover and shield.
- f. Remove the hard drive shield **2** and connector **3** from the hard drive.
- g. Separate the hard drive from the hard drive cover **4**.



*Removing the Hard Drive from the Hard Drive Cover*



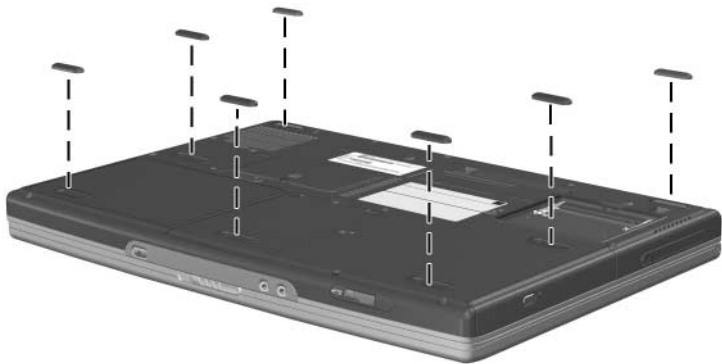
The hard drive cover, shield, and connector are included with the hard drive and also in the Miscellaneous Plastics Kits, spare part number 350130-001 for HP Pavilion zt3000 models, spare part number 338133-001 for HP Compaq nx7000 models, and spare part number 337009-001 for Compaq Presario X1000 models.

Reverse the above procedure to install the hard drive.

## 5.4 Notebook Feet

The notebook feet are adhesive-backed rubber pads, and are included in the Miscellaneous Plastics Kits, spare part number 350130-001 for HP Pavilion zt3000 models, spare part number 338133-001 for HP Compaq nx7000 models, and spare part number 337009-001 for Compaq Presario X1000 models.

- » Attach the notebook feet to the base enclosure as indicated in the following illustration.



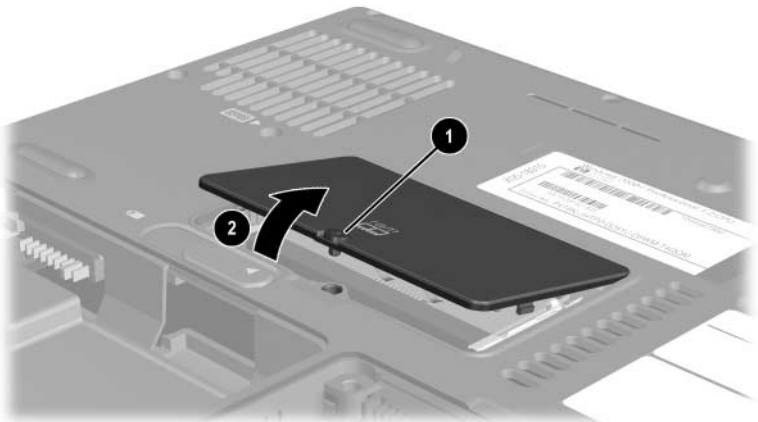
*Replacing the Notebook Feet*

## 5.5 Memory Module

### Spare Part Number Information

|                           |            |
|---------------------------|------------|
| 1024-MB DDR memory module | 336909-001 |
| 512-MB DDR memory module  | 336998-001 |
| 256-MB DDR memory module  | 336997-001 |
| 128-MB DDR memory module  | 336996-001 |

1. Prepare the notebook for disassembly ([Section 5.3](#)).
2. Turn the notebook upside down, with the front toward you.
3. Loosen the PM2.5×5.0 screw ❶ that secures the memory module compartment cover to the notebook.
4. Lift the front edge of the cover up ❷ and swing it back.



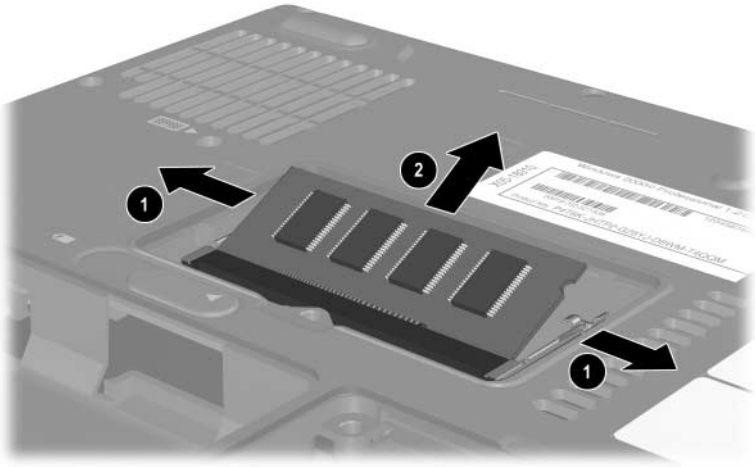
*Removing the Memory Module Compartment Cover*

5. Remove the cover.



The memory module compartment cover is included in the Miscellaneous Doors/Covers Kit, spare part number 336984-001.

6. Spread the retaining tabs ❶ that secure the memory module board to the socket. The board rises up at a 45-degree angle.
7. Pull the board away from the socket at a 45-degree angle ❷.



### *Removing the Memory Module*

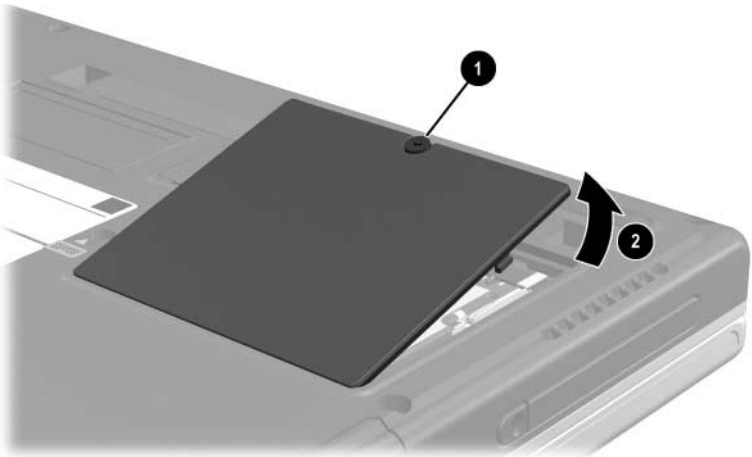
Reverse the above procedure to install a memory module.

## 5.6 Mini PCI Communications Board

### Spare Part Number Information

|                                     |            |
|-------------------------------------|------------|
| Mini PCI 802.11b wireless LAN (ROW) | 336976-001 |
| Mini PCI 802.11b wireless LAN (MOW) | 336977-001 |
| Mini PCI 802.11g wireless LAN       | 350083-001 |

1. Prepare the notebook for disassembly ([Section 5.3](#)).
2. Turn the notebook upside down, with the front toward you.
3. Loosen the PM2.5×5.0 screw ❶ that secures the Mini PCI compartment cover to the notebook.
4. Lift the rear edge of the cover up ❷ and swing it forward.



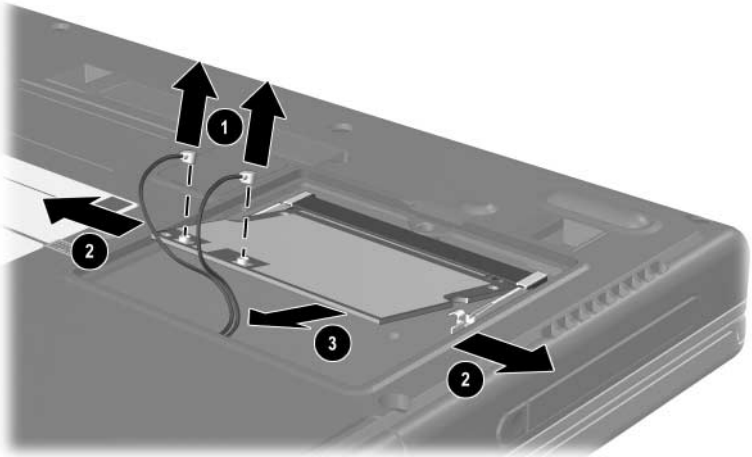
#### Removing the Mini PCI Compartment Cover

5. Remove the cover.



The Mini PCI compartment cover is included in the Miscellaneous Doors/Covers Kit, spare part number 336984-001.

6. Disconnect the 2 antenna cables from the terminals on the Mini PCI communications board ❶. Note that the longer of the 2 cables should be connected to the left antenna terminal (marked “AUX”) and the shorter cable should be connected to the right terminal (marked “MAIN”).
7. Spread the retaining tabs ❷ that secure the memory module to the socket. The board rises up at a 45-degree angle.
8. Pull the board away from the socket at a 45-degree angle ❸.



*Removing the Mini PCI Communications Board*

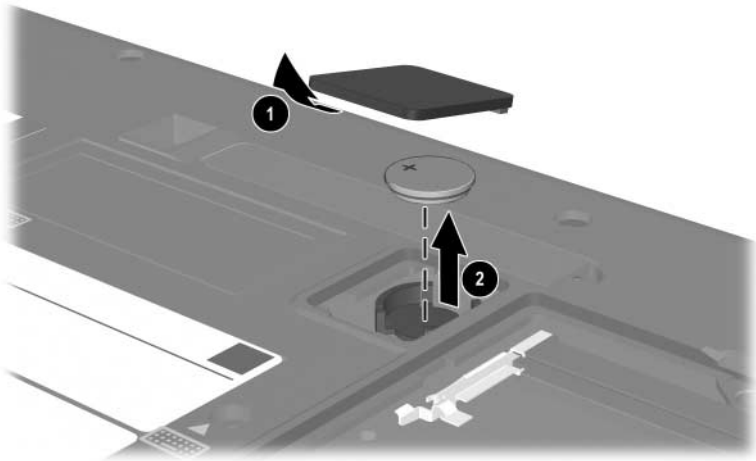
Reverse the above procedure to install a Mini PCI communications board.

## 5.7 RTC Battery



The RTC battery and RTC battery cover are included in the Miscellaneous Doors/Covers Kit, spare part number 336984-001.

1. Prepare the notebook for disassembly ([Section 5.3](#)).
2. Turn the notebook upside down, with the front toward you.
3. Insert a flat-bladed tool into the notch **1** on the front edge of the RTC battery cover and separate the front edge of the cover from the notebook.
4. Remove the RTC battery from the socket on the system board **2**.



*Removing the RTC battery*

Reverse the above procedure to install an RTC battery.

## 5.8 Optical Drive

---

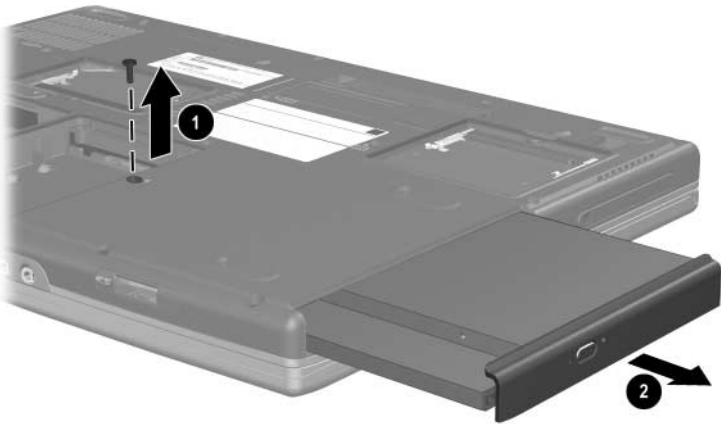
### Spare Part Number Information

---

|                                       |            |
|---------------------------------------|------------|
| 24X Max DVD/CD-RW Combo Drive         | 336987-001 |
| 8X Max DVD-ROM Drive                  | 336986-001 |
| 24X Max CD-ROM Drive                  | 336985-001 |
| 8X Max DVD+RW/R and CD-RW Combo Drive | 345588-001 |

---

1. Prepare the notebook for disassembly ([Section 5.3](#)).
2. Turn the notebook upside down, with the front toward you.
3. Remove the PM2.5×9.5 screw ❶ that secures the optical drive to the notebook.
4. With a slender tool, pry the hard drive bay to the right to disengage the optical drive. Then grasp the bezel to remove the the optical drive from the notebook ❷.



#### *Removing the Optical Drive*

5. Remove the optical drive.
- Reverse the above procedure to install an optical drive.



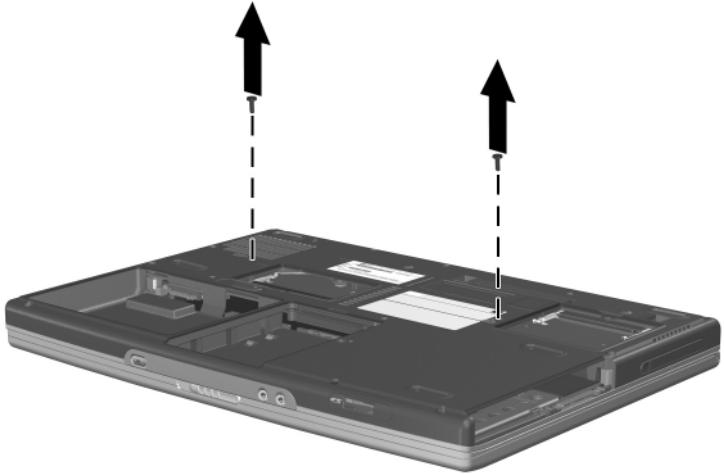
## 5.9 Keyboard

### Spare Part Number Information

|               |            |                   |            |
|---------------|------------|-------------------|------------|
| Asia Pacific  | 337016-371 | The Netherlands   | 337016-331 |
| Australia     | 337016-011 | Norway            | 337016-091 |
| Belgium       | 337016-181 | People's Republic |            |
| Denmark       | 337016-081 | of China          | 337016-AA1 |
| France        | 337016-051 | Portugal          | 337016-131 |
| Germany       | 337016-041 | Saudi Arabia      | 337016-171 |
| Greece        | 337016-151 | Spain             | 337016-071 |
| Hong Kong     | 337016-AC1 | Switzerland       | 337016-111 |
| International | 337016-B31 | Taiwan            | 337016-AB1 |
| Italy         | 337016-061 | Thailand          | 337016-281 |
| Korea         | 337016-AD1 | United Kingdom    | 337016-031 |
| Latin America | 337016-161 | United States     | 337016-001 |

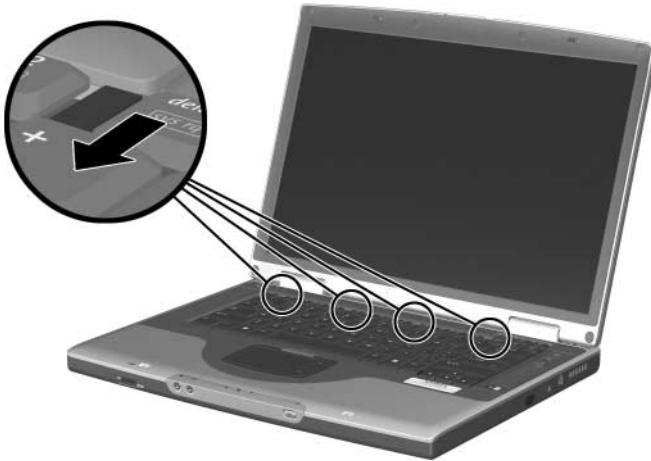
1. Prepare the notebook for disassembly ([Section 5.3](#)).
2. Turn the notebook upside down, with the front toward you.

3. Remove the 2 PM2.5×15.0 screws that secure the keyboard to the base enclosure.



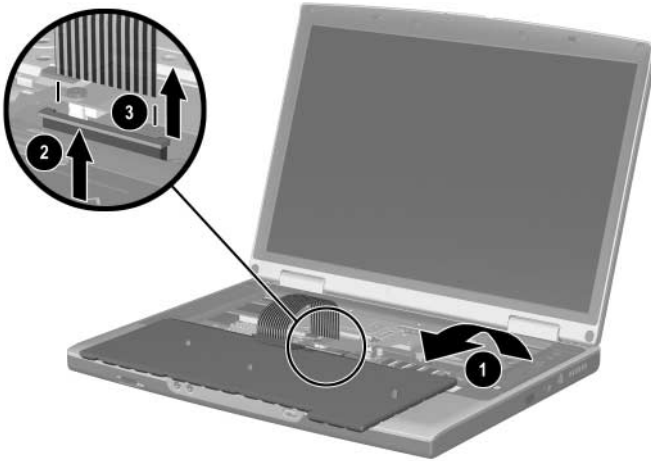
*Removing the Keyboard Screws*

4. Turn the notebook right-side up with the front toward you.
5. Open the notebook.
6. Slide the 4 notches on the top edge of the keyboard toward you.



*Releasing the Keyboard*

7. Lift the rear edge of the keyboard, swing it up and forward **1**, and rest it on the top cover.
8. Release the ZIF connector **2** to which the keyboard cable is attached, and then disconnect the keyboard cable **3** from the system board.



### *Disconnecting the Keyboard Cable*

9. Remove the keyboard.

Reverse the above procedure to install the keyboard.

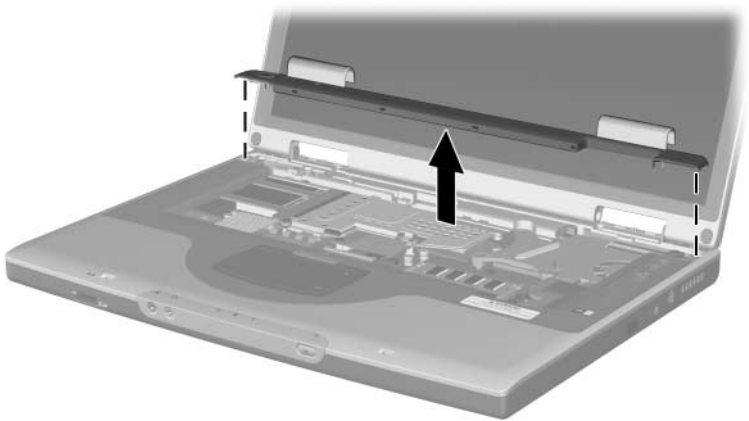
After the keyboard is removed, the internal memory module connector is accessible. Refer to [Section 5.5, “Memory Module,”](#) for instructions on removing the internal memory module.

## 5.10 Switch Cover



The switch cover is included in the Miscellaneous Plastics Kits, spare part number 350130-001 for HP Pavilion zt3000 models, spare part number 338133-001 for HP Compaq nx7000 models, and spare part number 337009-001 for Compaq Presario X1000 models.

1. Prepare the notebook for disassembly ([Section 5.3](#)).
2. Remove the keyboard ([Section 5.9](#)).
3. Insert a flat-bladed tool under the outside edges of the hinge cover areas and lift up to disengage the left and right sides of the cover from the notebook.
4. Remove the switch cover.



### *Removing the Switch Cover*

Reverse the above procedure to install the switch cover.

## 5.11 Speaker Cover

---

### Spare Part Number Information

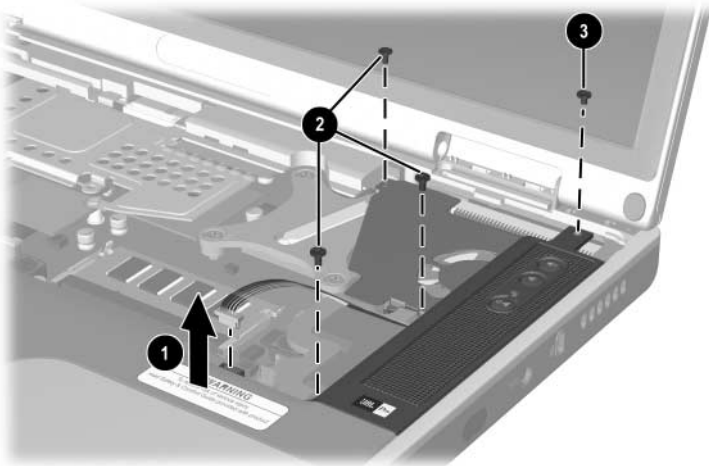
---

#### Speaker cover with cable

|   |            |
|---|------------|
| For use with HP Pavilion zt3000 notebooks   | 350122-001 |
| For use with HP Compaq nx7000 and<br>Compaq Presario X1000 notebooks                                      | 336973-001 |
| The speaker cover cable is also included in the Miscellaneous<br>Cable Kit, spare part number 336973-001. |            |

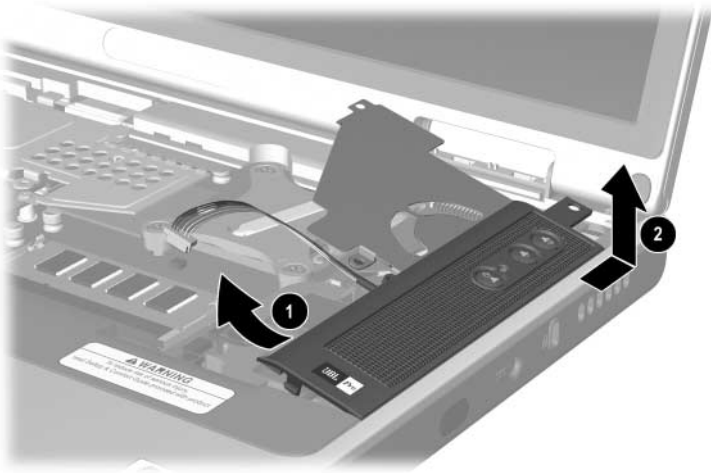
---

1. Prepare the notebook for disassembly ([Section 5.3](#)).
2. Remove the keyboard ([Section 5.9](#)).
3. Remove the switch cover ([Section 5.10](#)).
4. Disconnect the audio cable ❶ from the system board.
5. Remove the 3 PM2.5×5.0 screws ❷ and the PM2.5×3.0 screw ❸ that secure the speaker cover to the notebook.



*Removing the Speaker Cover Screws*

6. Lift the left side of the speaker cover shield and swing it up and slightly to the right ❶.
7. Slide the speaker cover back ❷ to disengage it from the notebook.
8. Remove the speaker cover.



*Removing the Speaker Cover*

Reverse the above procedure to install the speaker cover.

## 5.12 Fan

---

### Spare Part Number Information

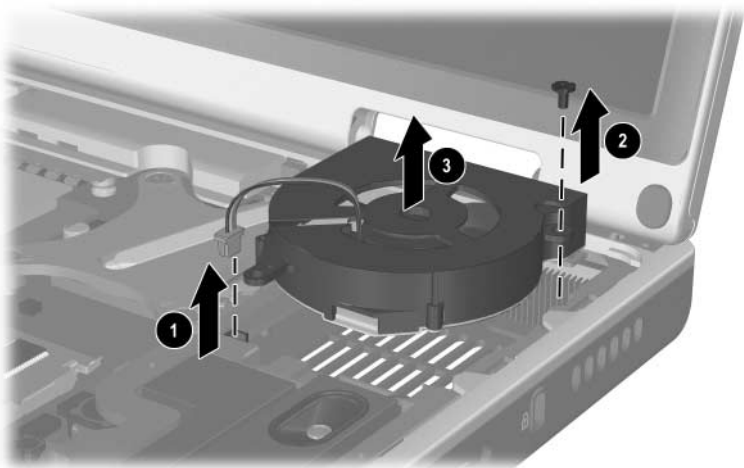
---

Fan 336993-001

The fan is also included with the heat sink, spare part number 337000-001.

---

1. Prepare the notebook for disassembly ([Section 5.3](#)).
2. Remove the keyboard ([Section 5.9](#)).
3. Remove the switch cover ([Section 5.10](#)).
4. Remove the speaker cover ([Section 5.11](#)).
5. Disconnect the fan cable ❶ from the system board.
6. Remove the PM2.5×5.0 screw ❷ that secures the fan to the base enclosure.
7. Remove the fan ❸.



*Removing the Fan*

Reverse the above procedure to install the fan.

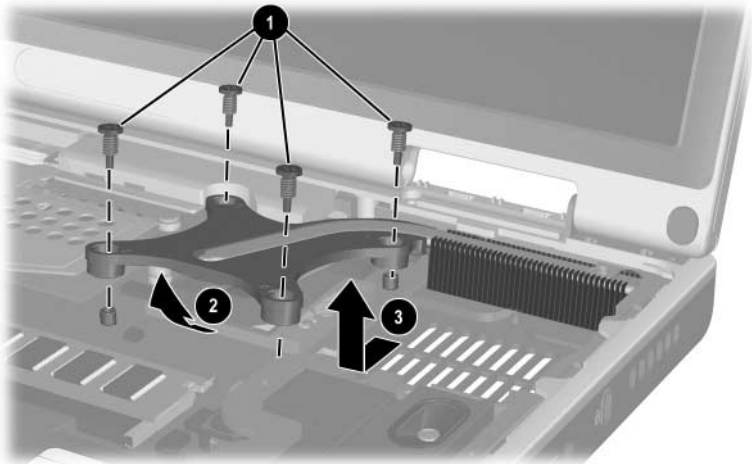


## 5.13 Heat Sink

### Spare Part Number Information

|                    |            |
|--------------------|------------|
| Heat sink with fan | 337000-001 |
| Thermal pad        | 337001-001 |

1. Prepare the notebook for disassembly ([Section 5.3](#)) and remove the following components:
  - ❑ Keyboard ([Section 5.9](#))
  - ❑ Switch cover ([Section 5.10](#))
  - ❑ Speaker cover ([Section 5.11](#))
  - ❑ Fan ([Section 5.12](#))
2. Remove the 4 PM2.0×9.0 spring-loaded shoulder screws **1** that secure the heat sink to the notebook.
3. Lift the front edge of the heat sink **2** and slide the heat sink out of the notebook at an angle **3**.

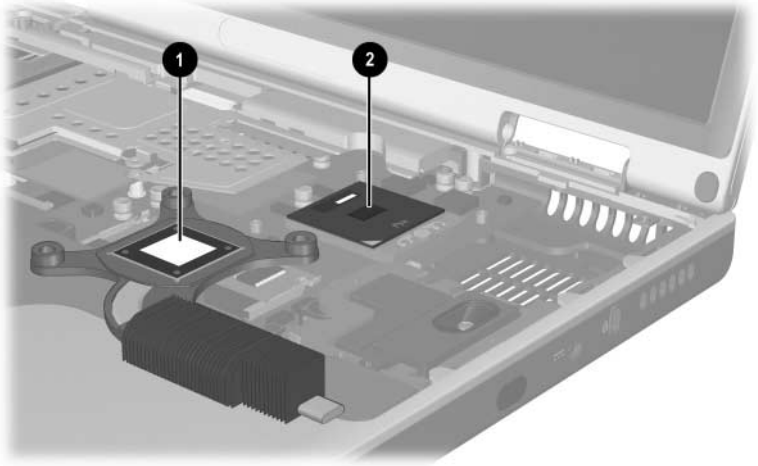


*Removing the Heat Sink*



Carefully clean any thermal grease residue from the heat sink **1** and processor surfaces **2** each time you remove the heat sink. Apply new thermal grease to both surfaces.

---



*Removing the Thermal Grease from the Heat Sink and Processor*

Reverse the above procedure to install the heat sink.

---

## 5.14 Processor

---

### Spare Part Number Information

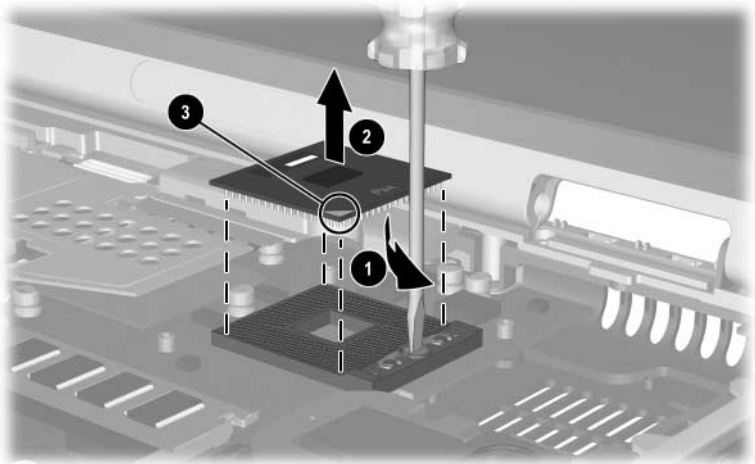
---

|                          |            |
|--------------------------|------------|
| Intel Pentium M, 2.0-GHz | 360612-001 |
| Intel Pentium M, 1.8-GHz | 360611-001 |
| Intel Pentium M, 1.7-GHz | 345566-001 |
| Intel Pentium M, 1.6-GHz | 337011-001 |
| Intel Pentium M, 1.5-GHz | 337023-001 |
| Intel Pentium M, 1.4-GHz | 337024-001 |
| Intel Pentium M, 1.3-GHz | 337010-001 |
| Intel Celeron M, 1.3-GHz | 337010-001 |
| Intel Celeron M, 1.2-GHz | 360613-001 |

---

1. Prepare the notebook for disassembly ([Section 5.3](#)) and remove the following components:
  - ❑ Keyboard ([Section 5.9](#))
  - ❑ Switch cover ([Section 5.10](#))
  - ❑ Speaker cover ([Section 5.11](#))
  - ❑ Fan ([Section 5.12](#))
  - ❑ Heat sink ([Section 5.13](#))

2. Use a flat-bladed tool to turn the processor locking screw ❶ one-quarter turn counterclockwise.
3. Lift the processor straight up ❷ and remove it.



### *Removing the Processor*

Reverse the above procedure to install the processor.

---



Note that the gold triangle ❸ should be in the lower right corner when installing the processor.

---

---

## 5.15 Display Assembly

---

### Spare Part Number Information

---

With carbonite and platinum blue finish for use with  
HP Pavilion zt3000 notebooks

|                   |            |
|-------------------|------------|
| 15.4-inch, WUXGA  | 350084-001 |
| 15.4-inch, WSXGA+ | 350127-001 |
| 15.4-inch, WXGA   | 350126-001 |

With carbon finish for use with HP Compaq nx7000 notebooks

|                   |            |
|-------------------|------------|
| 15.4-inch, WUXGA  | 337006-001 |
| 15.4-inch, WSXGA+ | 337003-001 |
| 15.4-inch, WXGA   | 337008-001 |

With silver finish for use with Compaq Presario X1000  
notebooks

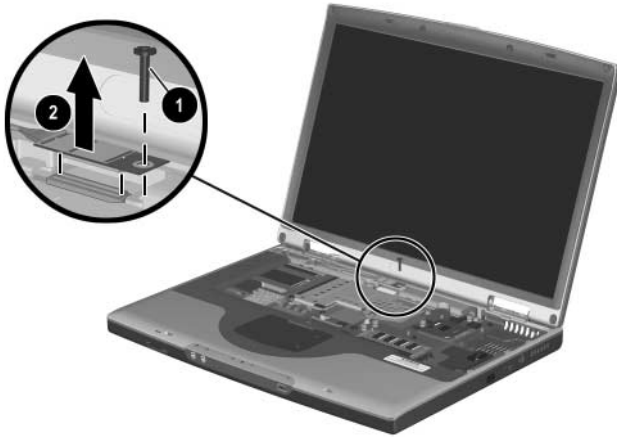
|                   |            |
|-------------------|------------|
| 15.4-inch, WUXGA  | 337005-001 |
| 15.4-inch, WSXGA+ | 337004-001 |
| 15.4-inch, WXGA   | 337007-001 |

|   |            |
|---|------------|
| Display inverter (includes 4 display rubber screw covers) | 336994-001 |
|---|------------|

---

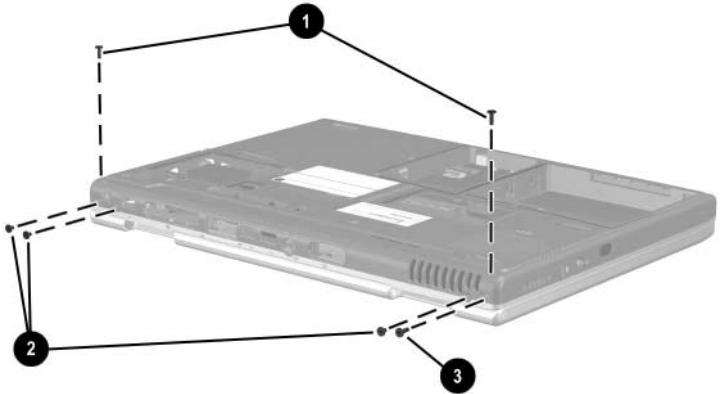
1. Prepare the notebook for disassembly ([Section 5.3](#)).
2. Remove the keyboard ([Section 5.9](#)).
3. Remove the switch cover ([Section 5.10](#)).

4. Remove the PM2.5×15.0 screw ❶ that secures the display cable to the base enclosure.
5. Disconnect the display video cable ❷ from the system board.



*Disconnecting the Display Cable*

6. Close the notebook and turn the notebook upside down, with the rear panel toward you.
7. Remove the following screws:
  - ❑ 2 PM2.5×9.5 screws ❶ that secure the display assembly to the base enclosure through the bottom of the top cover
  - ❑ 3 PM2.5×7.0 screws ❷ that secure the display assembly to the base enclosure through the rear panel
  - ❑ 1 PM2.5×5.0 screw ❸ that secures the display assembly to the base enclosure through the rear panel



*Removing the Display Screws*

8. Turn the notebook right-side up with the front toward you.
9. Open the display to the fully upright position.
10. Lift the display assembly straight up and remove it.



*Removing the Display Assembly*

Reverse the above procedure to install the display assembly.



## 5.16 Top Cover

### Spare Part Number Information

---

|  |            |
|--|------------|
| <b>Top cover</b> (includes TouchPad and TouchPad shield)             |            |
| For use with HP Pavilion zt3000 notebooks                            | 350123-001 |
| For use with HP Compaq nx7000 and<br>Compaq Presario X1000 notebooks | 336983-001 |

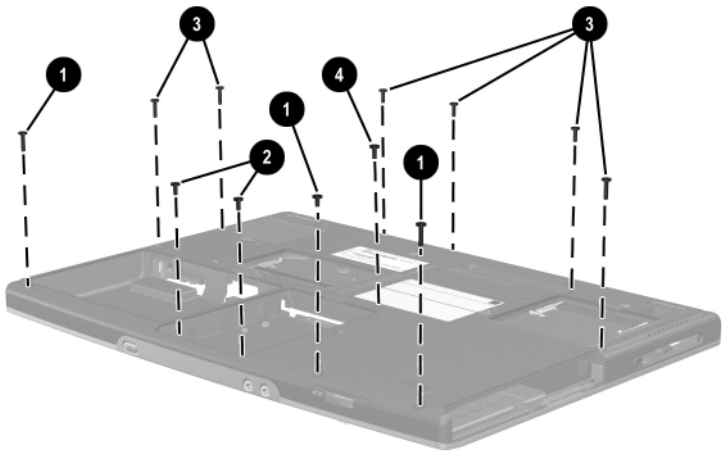
---



When replacing the top cover, determine if a Bluetooth board is installed in the defective top cover. If a board is installed, remove it from the defective top cover and install it in the replacement top cover. Refer to [Section 5.17, “Bluetooth Board,”](#) for instructions on removing and installing a Bluetooth board.

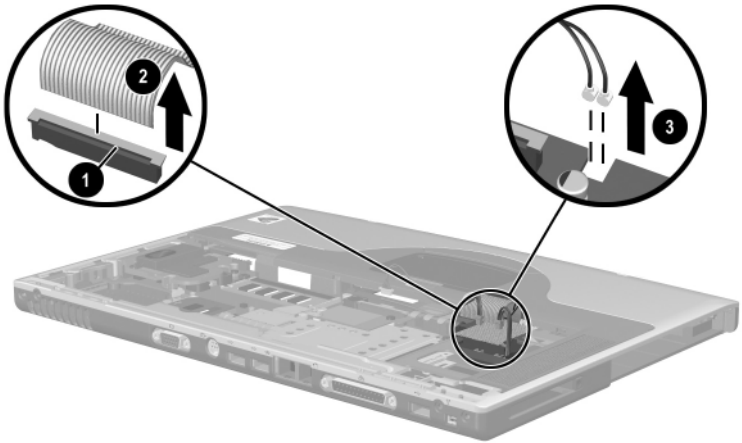
1. Prepare the notebook for disassembly ([Section 5.3](#)).
2. Disconnect the wireless antenna cables from the Mini PCI communications board ([Section 5.6](#)).
3. Remove the following components:
  - ❑ Optical drive ([Section 5.8](#))
  - ❑ Keyboard ([Section 5.9](#))
  - ❑ Switch cover ([Section 5.10](#))
  - ❑ Speaker cover ([Section 5.11](#))
  - ❑ Display assembly ([Section 5.15](#))

4. Turn the notebook upside down, with the front toward you.
5. Remove the following screws:
  - ❑ 3 PM2.5×9.5 screws ❶ along the front edge of the notebook
  - ❑ 2 PM2.5×5.0 screws ❷ in the hard drive bay
  - ❑ 6 PM2.5×15.0 screws ❸
  - ❑ 1 PM2.5×9.5 screw ❹ behind the hard drive bay



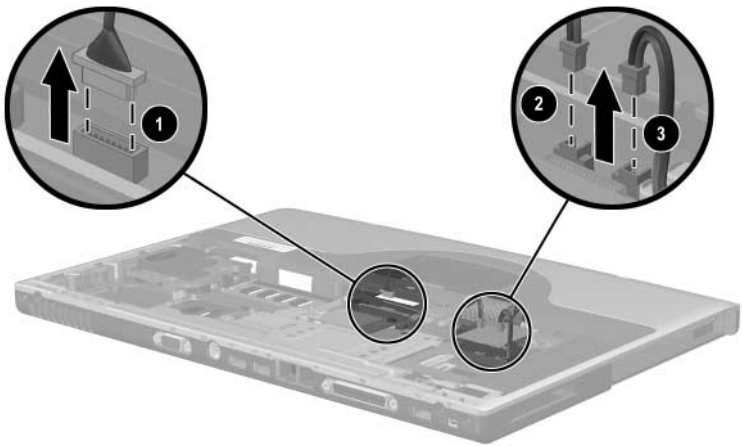
*Removing the Top Cover Screws*

6. Turn the notebook right-side up with the rear panel toward you.
7. Release the ZIF connector **1** to which the TouchPad cable is attached, and then disconnect the TouchPad cable **2** from the system board.
8. Route the 2 antenna cables **3** out of the hole in the system board.



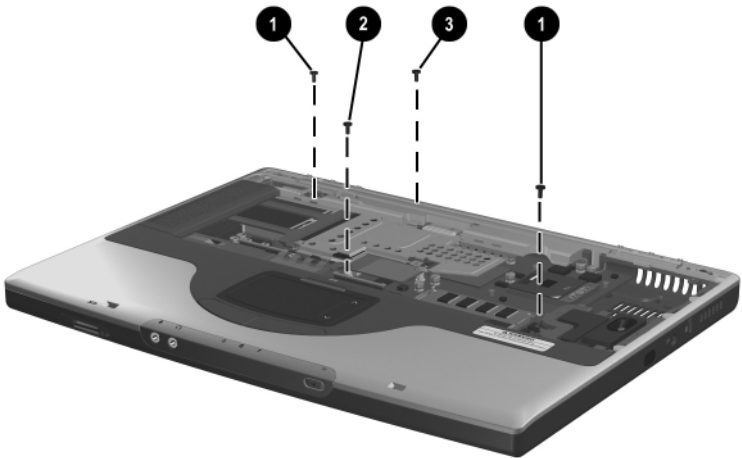
*Disconnecting the TouchPad Cable and Routing the Wireless Antenna Cables*

9. If the Bluetooth board cable ❶ is connected, disconnect from the system board.
10. Disconnect the left ❷ and right speaker cables ❸ from the system board.



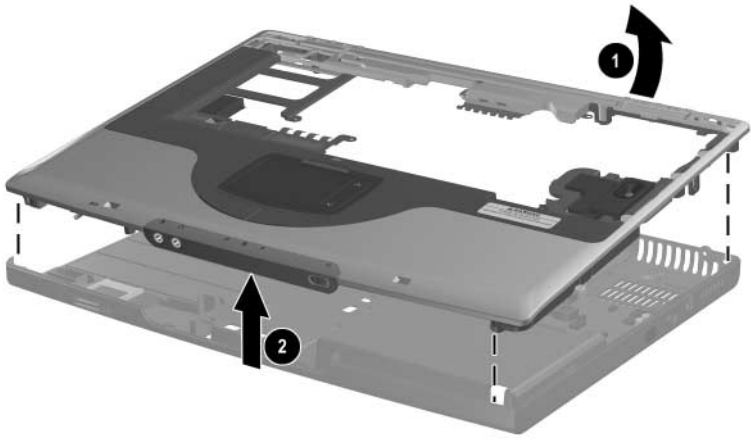
*Disconnecting the Bluetooth Board and Speaker Cables*

11. Position the notebook so the front faces forward.
12. Remove the following screws:
  - ❑ 2 PM2.5×7.0 screws ❶ that secure the top cover to the base enclosure
  - ❑ 1 PM2.0×3.0 screw ❷ that secures the top cover and modem to the base enclosure
  - ❑ 1 PM2.5×5.0 screw ❸ that secures the top cover to the base enclosure above the USB connector



*Removing the Top Cover Screws*

13. Lift the back edge of the top cover ❶ and swing it forward to disengage it from the base enclosure.
14. Remove the top cover ❷.



*Removing the Top Cover*

Reverse the above procedure to install the top cover.

## 5.17 Bluetooth Board

---

### Spare Part Number Information

---


**Bluetooth wireless communications board**

338134-01

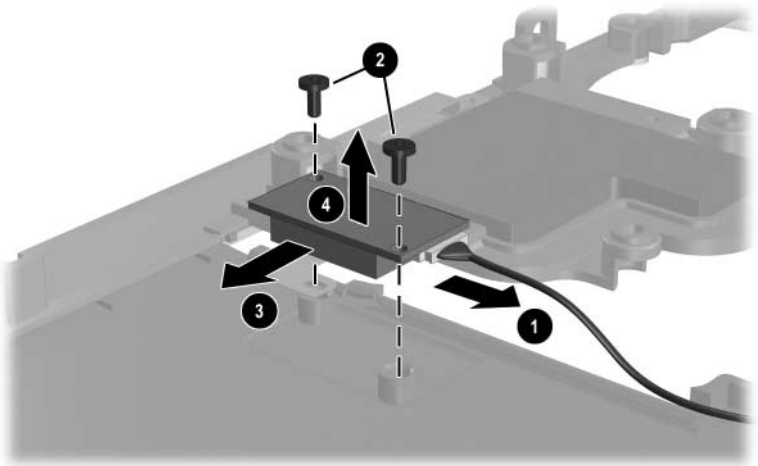
---

1. Prepare the notebook for disassembly ([Section 5.3](#)) and remove the following components:
  - ❑ Mini PCI communications board ([Section 5.6](#))
  - ❑ Optical drive ([Section 5.8](#))
  - ❑ Keyboard ([Section 5.9](#))
  - ❑ Switch cover ([Section 5.10](#))
  - ❑ Speaker cover ([Section 5.11](#))
  - ❑ Display assembly ([Section 5.15](#))
  - ❑ Top cover ([Section 5.16](#))

2. Turn the top cover right-side up with the TouchPad toward you.
3. Disconnect the Bluetooth board cable ❶ from the Bluetooth board.

 The Bluetooth board cable is included in the Miscellaneous Cable Kit, spare part number 336973-001.

4. Remove the 2 PM1.5×3.0 screws ❷ that secure the Bluetooth board to the top cover.
5. Slide the Bluetooth board forward ❸, then lift it up ❹ and remove it from the top cover.



#### *Removing the Bluetooth Board*

Reverse the above procedure to install the Bluetooth board.



## 5.18 SD Card Slot Board and Cable

---

### Spare Part Number Information

---

**SD Card slot board with cable**

336963-001

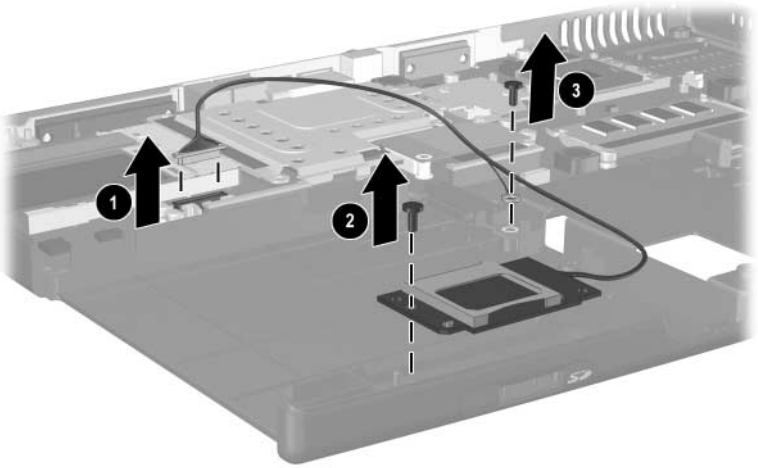
The SD Card slot board cable is also included in the Miscellaneous Cable Kit, spare part number 336973-001.

---



1. Prepare the notebook for disassembly ([Section 5.3](#)) and remove the following components:
  - Mini PCI communications board ([Section 5.6](#))
  - Optical drive ([Section 5.8](#))
  - Keyboard ([Section 5.9](#))
  - Switch cover ([Section 5.10](#))
  - Speaker cover ([Section 5.11](#))
  - Display assembly ([Section 5.15](#))
  - Top cover ([Section 5.16](#))

2. Disconnect the SD Card slot board cable ❶ from the system board.
3. Remove the PM2.5×5.0 screw ❷ that secures the SD Card slot board to the notebook.
4. Remove the PM2.5×5.0 screw ❸ that secures the SD Card slot board cable ground loop to the notebook.
5. Remove the SD Card slot board and cable.



### *Removing the SD Card Slot Board and Cable*

Reverse the above procedure to install the SD Card slot board and cable.

## 5.19 VGA Board and Shield

### Spare Part Number Information

#### VGA boards (include thermal pads)

For use with HP Pavilion zt3000 notebooks

|  |            |
|--|------------|
| ATI MOBILITY RADEON 9200 with 64-MB video memory | 350129-001 |
| ATI MOBILITY RADEON 9200 with 32-MB video memory | 350128-001 |

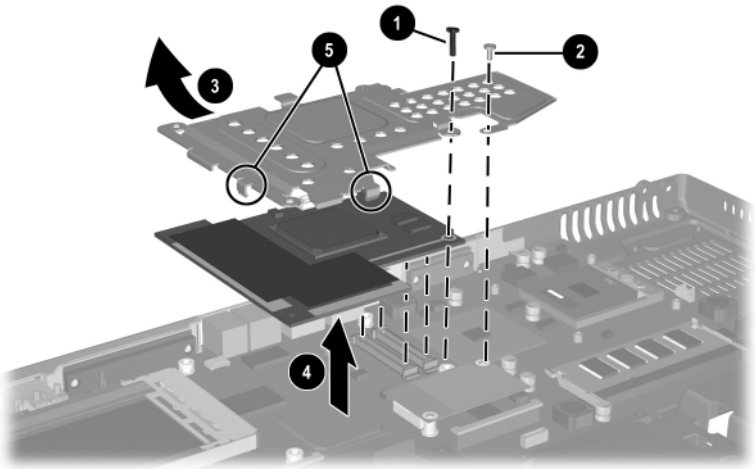
For use with HP Compaq nx7000 and  
Compaq Presario X1000 notebooks

|   |            |
|---|------------|
| ATI MOBILITY RADEON 9200 with 64 -MB video memory | 336970-001 |
| ATI MOBILITY RADEON 9200 with 32-MB video memory  | 336969-001 |
| ATI MOBILITY RADEON 7500c with 32-MB video memory | 336968-001 |

|   |            |
|---|------------|
| <b>VGA board shield</b> (includes thermal pads) | 337017-001 |
|---|------------|

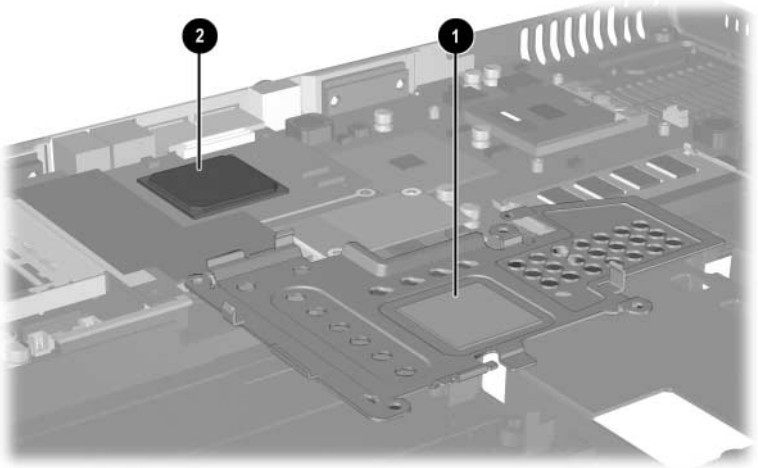
1. Prepare the notebook for disassembly ([Section 5.3](#)) and remove the following components:
  - Mini PCI communications board ([Section 5.6](#))
  - Optical drive ([Section 5.8](#))
  - Keyboard ([Section 5.9](#))
  - Switch cover ([Section 5.10](#))
  - Speaker cover ([Section 5.11](#))
  - Display assembly ([Section 5.12](#))
  - Top cover ([Section 5.16](#))

2. Remove the PM2.5×15.0 ❶ and PM2.0×3.0 ❷ screws that secure the VGA board shield to the base enclosure.
3. Lift the upper left corner of the VGA board ❸ to disconnect it from the system board.
4. Remove the VGA board and shield ❹.
5. Disengage the shield clips ❺ to remove the VGA board from the shield.



*Removing the VGA Board and Shield*

6. The VGA shield thermal pad ❶ and VGA board thermal pad ❷ assist in cooling the notebook. Inspect these pads and replace if necessary each time the shield is removed.



*Replacing the Thermal Pads on the VGA Board and Shield*

Reverse the above procedure to install the VGA board and shield.

## 5.20 Modem and Cable

---

### Spare Part Number Information

---

**Modem board with cable**

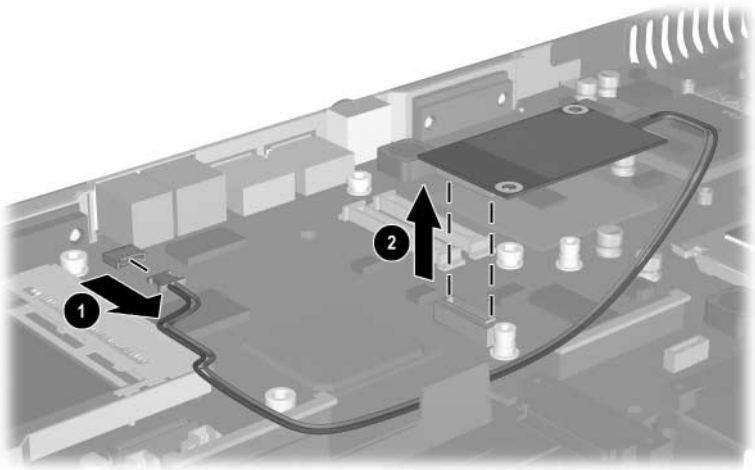
336999-001

The modem board cable is also included in the Miscellaneous Cable Kit, spare part number 3361973-001.

---

1. Prepare the notebook for disassembly ([Section 5.3](#)) and remove the following components:
  - ❑ Mini PCI communications board ([Section 5.6](#))
  - ❑ Optical drive ([Section 5.8](#))
  - ❑ Keyboard ([Section 5.9](#))
  - ❑ Switch cover ([Section 5.10](#))
  - ❑ Speaker cover ([Section 5.11](#))
  - ❑ Display assembly ([Section 5.15](#))
  - ❑ Top cover ([Section 5.16](#))
  - ❑ VGA board and shield ([Section 5.19](#))

2. Disconnect the modem cable ❶ from the system board.
3. Lift the left side of the modem board ❷ to disconnect it from the system board.
4. Remove the modem board.



*Removing the Modem Board and Cable*

Reverse the above procedure to install the modem and cable.

## 5.21 System Board

---

### Spare Part Number Information

---

|  |            |
|--|------------|
| <b>System board</b> (includes thermal pads)      | 336964-001 |
| <b>PC Card assembly</b> (removal not documented) | 337014-001 |

---



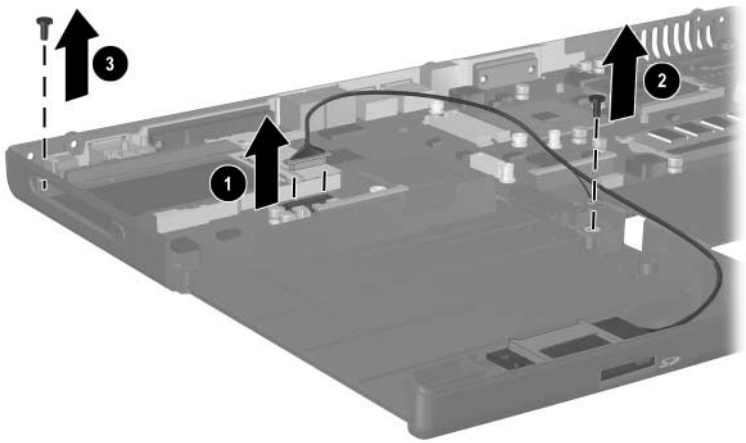
When replacing the system board, ensure that the following components are removed from the defective system board and installed on the replacement system board:

- Memory module ([Section 5.5](#))
  - Mini PCI communications board ([Section 5.6](#))
  - RTC battery ([Section 5.7](#))
  - Processor ([Section 5.14](#))
  - VGA board and shield ([Section 5.19](#))
  - Modem and modem cable ([Section 5.20](#))
- 

1. Prepare the notebook for disassembly ([Section 5.3](#)) and remove the following components:
  - ❑ Optical drive ([Section 5.8](#))
  - ❑ Keyboard ([Section 5.9](#))
  - ❑ Switch cover ([Section 5.10](#))
  - ❑ Speaker cover ([Section 5.11](#))
  - ❑ Display assembly ([Section 5.15](#))
  - ❑ Top cover ([Section 5.16](#))

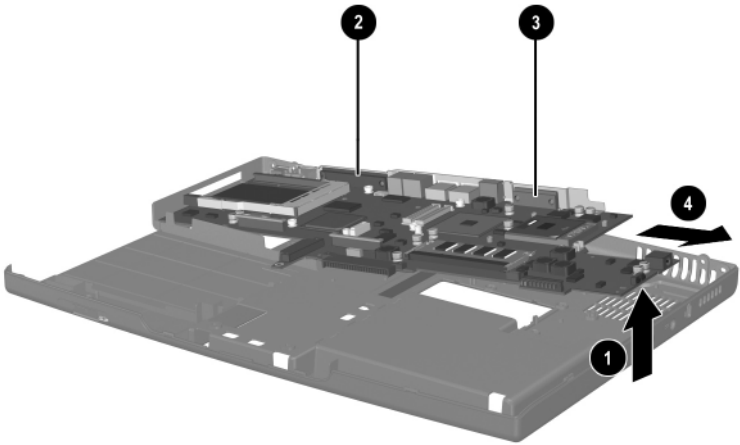


2. Disconnect the SD Card slot board cable ❶ from the system board.
3. Remove the PM2.5×5.0 screw ❷ that secures the SD Card slot board cable ground loop to the base enclosure and the PM2.5×5.0 screw ❸ that secures the system board to the base enclosure.



### *Removing the System Board Screws*

4. Lift the right side of the system board approximately one inch ❶. If necessary, flex the back edge of the base enclosure out so that the parallel ❷ and serial connectors ❸ clear the base enclosure.
5. Slide the system board to the right at an angle ❹.
6. Remove the system board.



### *Removing the System Board*

Reverse the above procedure to install the system board.

# 6

## Specifications

This chapter provides physical and performance specifications.

**Table 6-1**  
**Notebook**

| <b>Dimensions</b>                        |  |               |
|--|--|---------------|
| Height                                   | 3.45 cm  | 1.4 in        |
| Width                                    | 25.40 cm   | 10.0 in       |
| Depth                                    | 35.56 cm   | 14.0 in       |
| <b>Weight</b> (varies by configuration)  |  |               |
|  | 2.95 kg  | 6.5 lb        |
| <b>Stand-alone power requirements</b>    |  |               |
| Nominal operating voltage                | 14.4 VDC   |               |
| Average operating power                  | 15.8 W   |               |
| Peak operating power                     | 38.0 W   |               |
| Power in Standby mode                    | < 800 mW   |               |
| Power in Hibernation mode                | < 100 mW   |               |
| <b>Temperature</b>                       |  |               |
| Operating (not writing optical)          | 0°C to 35°C  | 32°F to 95°F  |
| Operating (writing optical)              | 5°C to 35°C  | 41°F to 95°F  |
| Nonoperating                             | -20°C to 60°C  | -4°F to 140°F |
| <b>Relative humidity</b> (noncondensing) |  |               |
| Operating                                | 10% to 90%   |               |
| Nonoperating                             | 5% to 95%, 38.7°C (101.6°F) maximum wet bulb temperature |               |

---

**Table 6-1**  
**Notebook (Continued)**

---

**Altitude** (unpressurized)

|                                 |                    |                  |
|---------------------------------|--------------------|------------------|
| Operating (14.7 to 10.1 psia)   | -15.24 to 3,048 m  | -50 to 10,000 ft |
| Nonoperating (14.7 to 4.4 psia) | -15.24 to 12,192 m | -50 to 40,000 ft |

---

**Shock**

|              |                        |
|--------------|------------------------|
| Operating    | 50 g, 2 ms, half-sine  |
| Nonoperating | 175 g, 2 ms, half-sine |

---



Applicable product safety standards specify thermal limits for plastic surfaces. The notebook operates well within this range of temperatures.

---

**Table 6-2**  
**15.4-inch, Wide UXGA, TFT Display**

| <b>Dimensions</b>        |  |         |
|--------------------------|--|---------|
| Height                   | 20.7 cm                                  | 8.1 in  |
| Width                    | 33.1 cm                                  | 13.0 in |
| Diagonal                 | 39.1 cm                                  | 15.4 in |
| <b>Number of colors</b>  | up to 16.8 million                       |         |
| <b>Contrast ratio</b>    | 300:1                                    |         |
| <b>Brightness</b>        | 170 nits typical                         |         |
| <b>Pixel resolution</b>  |  |         |
| Pitch                    | 0.173 × 0.173 mm                         |         |
| Format                   | 1920 × 1200                              |         |
| Configuration            | RGB vertical stripe                      |         |
| <b>Backlight</b>         | Edge lit                                 |         |
| <b>Character display</b> | 80 × 25                                  |         |
| <b>Viewing angle</b>     | ± 55° horizontal, ± 45° vertical typical |         |

---

**Table 6-3**  
**15.4-inch, Wide SXGA+, TFT Display**

---

|                          |  |         |
|--------------------------|--|---------|
| <b>Dimensions</b>        |  |         |
| Height                   | 20.7 cm                                  | 8.1 in  |
| Width                    | 33.1 cm                                  | 13.0 in |
| Diagonal                 | 39.1 cm                                  | 15.4 in |
| <b>Number of colors</b>  | up to 16.8 million                       |         |
| <b>Contrast ratio</b>    | 200:1                                    |         |
| <b>Brightness</b>        | 180 nits typical                         |         |
| <b>Pixel resolution</b>  |  |         |
| Pitch                    | 0.197 × 0.197 mm                         |         |
| Format                   | 1680 × 1050                              |         |
| Configuration            | RGB vertical stripe                      |         |
| <b>Backlight</b>         | Edge lit                                 |         |
| <b>Character display</b> | 80 × 25                                  |         |
| <b>Viewing angle</b>     | ± 65° horizontal, ± 50° vertical typical |         |

---

**Table 6-4**  
**15.4-inch, Wide XGA+, TFT Display**

| <b>Dimensions</b>        |                     |  |
|--------------------------|---------------------|--|
| Height                   | 20.7 cm             | 8.1 in                                   |
| Width                    | 33.1 cm             | 13.0 in                                  |
| Diagonal                 | 39.1 cm             | 15.4 in                                  |
| <b>Number of colors</b>  |                     | up to 16.8 million                       |
| <b>Contrast ratio</b>    |                     | 200:1                                    |
| <b>Brightness</b>        |                     | 180 nits typical                         |
| <b>Pixel resolution</b>  |                     |  |
| Pitch                    | 0.259 × 0.259 mm    |  |
| Format                   | 1280 × 800          |  |
| Configuration            | RGB vertical stripe |  |
| <b>Backlight</b>         |                     | Edge lit                                 |
| <b>Character display</b> |                     | 80 × 25                                  |
| <b>Viewing angle</b>     |                     | ± 65° horizontal, ± 50° vertical typical |

**Table 6-5**  
**Hard Drives**

|   | <b>80-GB</b>                   | <b>60-GB<br/>(5400- rpm)</b>   | <b>60-GB<br/>(4200- rpm)</b>   | <b>40-GB</b>                   |
|---|--------------------------------|--------------------------------|--------------------------------|--------------------------------|
| <b>User capacity per drive*</b>                     | 80-GB                          | 60-GB                          | 40-GB                          | 30-GB                          |
| <b>Dimensions</b>                                   |                                |                                |                                |                                |
| Height  | 9.5 mm                         | 9.5 mm                         | 9.5 mm                         | 9.5 mm                         |
| Width   | 70 mm                          | 70 mm                          | 70 mm                          | 70 mm                          |
| Weight  | 99 g                           | 102 g                          | 99 g                           | 99 g                           |
| <b>Interface type</b>                               | ATA-5                          | ATA-5                          | ATA-5                          | ATA-5                          |
| <b>Transfer rate</b>                                |                                |                                |                                |                                |
| Synchronous (maximum)                               | 100 MB/sec                     | 100 MB/sec                     | 100 MB/sec                     | 100 MB/sec                     |
| Security  | ATA security                   | ATA security                   | ATA security                   | ATA security                   |
| <b>Seek times</b> (typical read, including setting) |                                |                                |                                |                                |
| Single track  | 3 ms                           | 3 ms                           | 3 ms                           | 3 ms                           |
| Average   | 13 ms                          | 13 ms                          | 13 ms                          | 13 ms                          |
| Maximum   | 24 ms                          | 24 ms                          | 24 ms                          | 24 ms                          |
| <b>Logical blocks</b> <sup>†</sup>                  | 156,301,488                    | 117,210,240                    | 78,140,160                     | 58,605,120                     |
| <b>Disk rotational speed</b>                        | 4200 rpm                       | 5400 rpm                       | 4200 rpm                       | 4200 rpm                       |
| <b>Operating temperature</b>                        | 5°C to 55°C<br>(41°F to 131°F) | 5°C to 55°C<br>(41°F to 131°F) | 5°C to 55°C<br>(41°F to 131°F) | 5°C to 55°C<br>(41°F to 131°F) |

\*1 GB = 1,073,741,824 bytes.

<sup>†</sup>Actual drive specifications may differ slightly.

Certain restrictions and exclusions apply. Consult the HP Customer Support Center for details.



**Table 6-6**  
**External AC Adapter**

|                     |                    |         |
|---------------------|--------------------|---------|
| <b>Weight</b>       | 0.304 kg           | 0.67 lb |
| <b>Power supply</b> |                    |         |
| Rated input voltage | 100 to 240 VAC RMS |         |
| Rated input current | 1.7 A RMS          |         |
| Rated frequency     | 47 to 63 Hz        |         |

**Table 6-7**  
**8-cell Primary Li-Ion Battery Pack**

|                    |               |               |
|--------------------|---------------|---------------|
| <b>Dimensions</b>  |               |               |
| Height             | 13.4 cm       | 5.25 in       |
| Width              | 9.2 cm        | 3.63 in       |
| Depth              | 1.9 cm        | 0.75 in       |
| Weight             | 0.43 kg       | 0.96 lb       |
| <b>Energy</b>      |               |               |
| Voltage            | 14.8 V        |               |
| Amp-hour capacity  | 4.4 aH        |               |
| Watt-hour capacity | 64 wH         |               |
| <b>Temperature</b> |               |               |
| Operating          | 0°C to 60°C   | 32°F to 140°F |
| Nonoperating       | -20°C to 60°C | -4°F to 104°F |

**Table 6-8**  
**24X DVD/CD-RW Combo Drive**

|                             |  |          |
|-----------------------------|--|----------|
| <b>Applicable disc</b>      | DVD-5, DVD-9, DVD-10<br>CD-ROM (Mode 1 and 2)<br>CD Digital Audio<br>CD-XA ready (Mode 2, Form 1 and 2)<br>CD-I ready (Mode 2, Form 1 and 2)<br>CD-R (read only)<br>CD Plus<br>Photo CD (single/multisession)<br>CD-Bridge |          |
| <b>Center hole diameter</b> | 1.5 cm   | 0.59 in  |
| <b>Disc diameter</b>        |  |          |
| Standard disc               | 12 cm  | 4.72 in  |
| Mini disc                   | 8 cm   | 3.15 in  |
| <b>Disc thickness</b>       | 1.2 mm   | 0.047 in |
| <b>Track pitch</b>          | 0.74 $\mu$ m   |          |
| <b>Access time</b>          |  |          |
| Random                      | < 150 ms   |          |
| Full stroke                 | < 225 ms   |          |
| <b>Audio output level</b>   | Line-out, 0.7 Vrms   |          |
| <b>Cache buffer</b>         | 128 KB/s   |          |
| <b>Data transfer rate</b>   |  |          |
| CD-R (24X)                  | 3600 KB/s (150 KB/s at 1X CD rate)   |          |
| CD-RW (10X)                 | 1500 KB/s (150 KB/s at 1X CD rate)   |          |
| CD-ROM (24X)                | 3600 KB/s (150 KB/s at 1X CD rate)   |          |
| DVD (8X)                    | 10,800 KB/s (1352 KB/s at 1X DVD rate)   |          |
| Multiword DMA mode 2        | 16.6 MB/s  |          |
| <b>Startup time</b>         | < 15 seconds   |          |
| <b>Stop time</b>            | < 6 seconds  |          |

**Table 6-9**  
**8X DVD+RW/R and CD-RW Combo Drive**

|                             |  |          |
|-----------------------------|--|----------|
| <b>Applicable disc</b>      | DVD-5, DVD-9, DVD-10<br>CD-ROM (Mode 1 and 2)<br>CD Digital Audio<br>CD-XA ready (Mode 2, Form 1 and 2)<br>CD-I ready (Mode 2, Form 1 and 2)<br>CD-R (read only)<br>CD Plus<br>Photo CD (single/multisession)<br>CD-Bridge |          |
| <b>Center hole diameter</b> | 1.5 cm   | 0.59 in  |
| <b>Disc diameter</b>        |  |          |
| Standard disc               | 12 cm  | 4.72 in  |
| Mini disc                   | 8 cm   | 3.15 in  |
| <b>Disc thickness</b>       | 1.2 mm   | 0.047 in |
| <b>Track pitch</b>          | 0.74 $\mu$ m   |          |
| <b>Access time</b>          |  |          |
| Random                      | < 150 ms   |          |
| Full stroke                 | < 225 ms   |          |
| <b>Audio output level</b>   | Line-out, 0.7 Vrms   |          |
| <b>Cache buffer</b>         | 128 KB/s   |          |
| <b>Data transfer rate</b>   |  |          |
| CD-R (24X)                  | 3600 KB/s (150 KB/s at 1X CD rate)   |          |
| CD-RW (10X)                 | 1500 KB/s (150 KB/s at 1X CD rate)   |          |
| CD-ROM (24X)                | 3600 KB/s (150 KB/s at 1X CD rate)   |          |
| DVD (8X)                    | 10,800 KB/s (1352 KB/s at 1X DVD rate)   |          |
| Multiword DMA mode 2        | 16.6 MB/s  |          |
| <b>Startup time</b>         | < 15 seconds   |          |
| <b>Stop time</b>            | < 6 seconds  |          |

**Table 6-10**  
**8X DVD-ROM Drive**

|                             |  |          |
|-----------------------------|--|----------|
| <b>Applicable disc</b>      | DVD-5, DVD-9, DVD-10<br>CD-ROM (Mode 1 and 2)<br>CD Digital Audio<br>CD-XA ready (Mode 2, Form 1 and 2)<br>CD-I ready (Mode 2, Form 1 and 2)<br>CD-R (read only)<br>CD Plus<br>Photo CD (single/multisession)<br>CD-Bridge |          |
| <b>Center hole diameter</b> | 1.5 cm   | 0.59 in  |
| <b>Disc diameter</b>        |  |          |
| Standard disc               | 12 cm  | 4.72 in  |
| Mini disc                   | 8 cm   | 3.15 in  |
| <b>Disc thickness</b>       | 1.2 mm   | 0.047 in |
| <b>Track pitch</b>          | 0.74 $\mu$ m   |          |
| <b>Access time</b>          |  |          |
| Random DVD media            | < 150 ms   |          |
| Full stroke DVD media       | < 225 ms   |          |
| Random CD media             | < 110 ms   |          |
| Full stroke CD media        | < 200 ms   |          |
| <b>Audio output level</b>   | Line-out, 0.7 Vrms   |          |
| <b>Cache buffer</b>         | 512 KB/s   |          |
| <b>Data transfer rate</b>   |  |          |
| Max 24X CD                  | 3600 KB/s (150 KB/s at 1X CD rate)   |          |
| Max 8X DVD                  | 10,800 KB/s (1352 KB/s at 1X DVD rate)   |          |
| Multiword DMA mode 2        | 16.6 MB/s  |          |
| <b>Startup time</b>         | < 10 seconds   |          |
| <b>Stop time</b>            | < 3 seconds  |          |

**Table 6-11**  
**24X CD-ROM Drive**

|                             |  |          |
|-----------------------------|--|----------|
| <b>Applicable disc</b>      | DVD-5, DVD-9, DVD-10<br>CD-ROM (Mode 1 and 2)<br>CD Digital Audio<br>CD-XA ready (Mode 2, Form 1 and 2)<br>CD-I ready (Mode 2, Form 1 and 2)<br>CD-R (read only)<br>CD Plus<br>Photo CD (single/multisession)<br>CD-Bridge |          |
| <b>Center hole diameter</b> | 1.5 cm   | 0.59 in  |
| <b>Disc diameter</b>        |  |          |
| Standard disc               | 12 cm  | 4.72 in  |
| Mini disc                   | 8 cm   | 3.15 in  |
| <b>Disc thickness</b>       | 1.2 mm   | 0.047 in |
| <b>Track pitch</b>          | 1.6 $\mu$ m  |          |
| <b>Access time</b>          |  |          |
| Random                      | < 150 ms   |          |
| Full stroke                 | < 300 ms   |          |
| <b>Audio output level</b>   | Line-out, 0.7 Vrms   |          |
| <b>Cache buffer</b>         | 128 KB/s   |          |
| <b>Data transfer rate</b>   |  |          |
| Sustained (16X)             | 2400 KB/s  |          |
| Variable                    | 1500 to 3600 KB/s (10X to 24X)   |          |
| Multiword DMA mode 2        | 16.6 MB/s  |          |
| <b>Startup time</b>         | < 8 seconds  |          |
| <b>Stop time</b>            | < 4 seconds  |          |

---

**Table 6-12**  
**System DMA**

| <b>Hardware DMA</b> | <b>System Function</b>   |
|---------------------|--|
| DMA0                | Available for audio  |
| DMA1*               | Entertainment audio<br>(default; alternate = DMA0, DMA3, none) |
| DMA2*               | Diskette drive   |
| DMA3                | ECP parallel port LPT1<br>(default; alternate = DMA0, none)    |
| DMA4                | DMA controller cascading (not available)                       |
| DMA5*               | Available for PC Card  |
| DMA6                | Not assigned   |
| DMA7                | Not assigned   |

\*PC Card controller can use DMA 1, 2, or 5.

---

**Table 6-13**  
**System Interrupts**

| <b>Hardware IRQ</b> | <b>System Function</b>                        |
|---------------------|---|
| IRQ0                | System timer                                  |
| IRQ1                | Keyboard controller                           |
| IRQ2                | Cascaded                                      |
| IRQ3                | COM2  |
| IRQ4                | COM1  |
| IRQ5                | Audio (default)*                              |
| IRQ6                | Diskette drive                                |
| IRQ7                | Parallel port                                 |
| IRQ8                | Real time clock (RTC)                         |
| IRQ9                | Infrared                                      |
| IRQ10               | System use                                    |
| IRQ11               | System use                                    |
| IRQ12               | Internal pointing stick or external mouse     |
| IRQ13               | Coprocessor (not available to any peripheral) |
| IRQ14               | IDE interface (hard drive and optical drive)  |
| IRQ15               | System use                                    |



PC Cards may assert IRQ3, IRQ4, IRQ5, IRQ7, IRQ9, IRQ10, IRQ11, or IRQ15. Either the infrared or the serial port may assert IRQ3 or IRQ4.

\*Default configuration; audio possible configurations are IRQ5, IRQ7, IRQ9, IRQ10, or none.

**Table 6-14**  
**System I/O Addresses**

| <b>I/O Address<br/>(hex)</b> | <b>System Function<br/>(shipping configuration)</b> |
|------------------------------|---|
| 000 - 00F                    | DMA controller no. 1                                |
| 010 - 01F                    | Unused  |
| 020 - 021                    | Interrupt controller no. 1                          |
| 022 - 024                    | Opti chipset configuration registers                |
| 025 - 03F                    | Unused  |
| 02E - 02F                    | 87334 "Super I/O" configuration for CPU             |
| 040 - 05F                    | Counter/timer registers                             |
| 044 - 05F                    | Unused  |
| 060                          | Keyboard controller                                 |
| 061                          | Port B  |
| 062 - 063                    | Unused  |
| 064                          | Keyboard controller                                 |
| 065 - 06F                    | Unused  |
| 070 - 071                    | NMI enable/real time clock (RTC)                    |
| 072 - 07F                    | Unused  |
| 080 - 08F                    | DMA page registers                                  |
| 090 - 091                    | Unused  |
| 092                          | Port A  |
| 093 - 09F                    | Unused  |
| 0A0 - 0A1                    | Interrupt controller no. 2                          |



**Table 6-14**  
**System I/O Addresses (Continued)**

| <b>I/O Address<br/>(hex)</b> | <b>System Function<br/>(shipping configuration)</b> |
|------------------------------|---|
| 0A2 - 0BF                    | Unused  |
| 0C0 - 0DF                    | DMA controller no. 2                                |
| 0E0 - 0EF                    | Unused  |
| 0F0 - 0F1                    | Coprocessor busy clear/reset                        |
| 0F2 - 0FF                    | Unused  |
| 100 - 16F                    | Unused  |
| 170 - 177                    | Secondary fixed disk controller                     |
| 178 - 1EF                    | Unused  |
| 1F0 - 1F7                    | Primary fixed disk controller                       |
| 1F8 - 200                    | Unused  |
| 201                          | Joystick (decoded in ESS1688)                       |
| 202 - 21F                    | Unused  |
| 220 - 22F                    | Entertainment audio                                 |
| 230 - 26D                    | Unused  |
| 26E - 26                     | Unused  |
| 278 - 27F                    | Unused  |
| 280 - 2AB                    | Unused  |
| 2A0 - 2A7                    | Unused  |
| 2A8 - 2E7                    | Unused  |
| 2E8 - 2EF                    | Reserved serial port                                |

**Table 6-14**  
**System I/O Addresses (Continued)**

| <b>I/O Address<br/>(hex)</b> | <b>System Function<br/>(shipping configuration)</b> |
|------------------------------|---|
| 2F0 - 2F7                    | Unused  |
| 2F8 - 2FF                    | Infrared port                                       |
| 300 - 31F                    | Unused  |
| 320 - 36F                    | Unused  |
| 370 - 377                    | Secondary diskette drive controller                 |
| 378 - 37F                    | Parallel port (LPT1/default)                        |
| 380 - 387                    | Unused  |
| 388 - 38B                    | FM synthesizer—OPL3                                 |
| 38C - 3AF                    | Unused  |
| 3B0 - 3BB                    | VGA   |
| 3BC - 3BF                    | Reserved (parallel port/no EPP support)             |
| 3C0 - 3DF                    | VGA   |
| 3E0 - 3E1                    | PC Card controller in CPU                           |
| 3E2 - 3E3                    | Unused  |
| 3E8 - 3EF                    | Internal modem                                      |
| 3F0 - 3F7                    | “A” diskette controller                             |
| 3F8 - 3FF                    | Serial port (COM1/default)                          |
| CF8 - CFB                    | PCI configuration index register (PCIDIVO-1)        |
| CFC - CFF                    | PCI configuration data register (PCIDIVO-1)         |

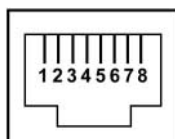
# A

---

## Connector Pin Assignments

---

**Table A-1**  
**RJ-45 Network Interface**



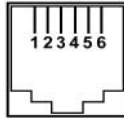
---

| <b>Pin</b> | <b>Signal</b> | <b>Pin</b> | <b>Signal</b> |
|------------|---------------|------------|---------------|
| 1          | Transmit +    | 5          | Unused        |
| 2          | Transmit –    | 6          | Receive –     |
| 3          | Receive +     | 7          | Unused        |
| 4          | Unused        | 8          | Unused        |

---

---

**Table A-2**  
**RJ-11 Modem**



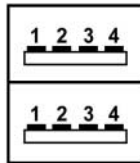
---

| Pin | Signal | Pin | Signal |
|-----|--------|-----|--------|
| 1   | Unused | 4   | Unused |
| 2   | Tip    | 5   | Unused |
| 3   | Ring   | 6   | Unused |

---

---

**Table A-3**  
**Universal Serial Bus**



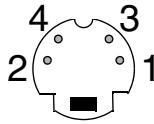
---

| Pin | Signal | Pin | Signal |
|-----|--------|-----|--------|
| 1   | +5 VDC | 3   | Data + |
| 2   | Data - | 4   | Ground |

---

**Table A-4**

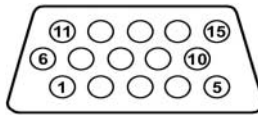
**S-Video**



| Pin | Signal     | Pin | Signal                  |
|-----|------------|-----|-------------------------|
| 1   | Ground (Y) | 3   | Y-Luminance (Intensity) |
| 2   | Ground (C) | 4   | C-Chrominance (Color)   |

**Table A-5**

**External Monitor**

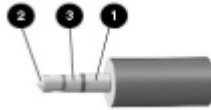


| Pin | Signal        | Pin | Signal          |
|-----|---------------|-----|-----------------|
| 1   | Red analog    | 9   | +5 VDC          |
| 2   | Green analog  | 10  | Ground          |
| 3   | Blue analog   | 11  | Monitor detect  |
| 4   | Not connected | 12  | DDC 2B data     |
| 5   | Ground        | 13  | Horizontal sync |
| 6   | Ground analog | 14  | Vertical sync   |
| 7   | Ground analog | 15  | DDC 2B clock    |
| 8   | Ground analog |     |                 |

---

**Table A-6**  
**Audio Line-Out Jack**

(Compatible plug shown for clarity)



---

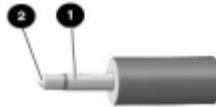
| Pin | Signal         | Pin | Signal          |
|-----|----------------|-----|-----------------|
| 1   | Ground         | 3   | Right Audio Out |
| 2   | Left Audio Out |     |                 |

---

---

**Table A-7**  
**Microphone Jack**

(Compatible plug shown for clarity)

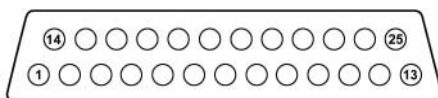


---

| Pin | Signal | Pin | Signal   |
|-----|--------|-----|----------|
| 1   | Ground | 2   | Audio In |

---

**Table A-8**  
**Parallel**



| <b>Pin</b> | <b>Signal</b> | <b>Pin</b> | <b>Signal</b>      |
|------------|---------------|------------|--------------------|
| 1          | Strobe        | 14         | Auto Linefeed      |
| 2          | Data Bit 0    | 15         | Error              |
| 3          | Data Bit 1    | 16         | Initialize Printer |
| 4          | Data Bit 2    | 17         | Select In          |
| 5          | Data Bit 3    | 18         | Ground             |
| 6          | Data Bit 4    | 19         | Ground             |
| 7          | Data Bit 5    | 20         | Ground             |
| 8          | Data Bit 6    | 21         | Ground             |
| 9          | Data Bit 7    | 22         | Ground             |
| 10         | Acknowledge   | 23         | Ground             |
| 11         | Busy          | 24         | Ground             |
| 12         | Paper End     | 25         | Ground             |
| 13         | Select        |            |                    |





---

## Power Cord Set Requirements

### 3-Conductor Power Cord Set

The wide range input feature of the notebook permits it to operate from any line voltage from 100 to 120 or 220 to 240 volts AC.

The power cord set included with the notebook meets the requirements for use in the country where the equipment is purchased.

Power cord sets for use in other countries must meet the requirements of the country where the notebook is used. For more information on power cord set requirements, contact an HP authorized reseller or service provider.

## General Requirements

The following requirements are applicable to all countries:

- The length of the power cord set must be at least 1.5 meters (5 feet) and a maximum of 2 meters (6.50 feet).
- All power cord sets must be approved by an acceptable accredited agency responsible for evaluation in the country where the power cord set will be used.
- The power cord set must have a minimum current capacity of 10 amps and a nominal voltage rating of 125 or 250 volts AC, as required by each country's power system.
- The appliance coupler must meet the mechanical configuration of an EN 60 320/IEC 320 Standard Sheet C13 connector for mating with the appliance inlet on the back of the notebook.

## Country-Specific Requirements

---

### 3-Conductor Power Cord Set Requirements

---

| Country   | Accredited Agency | Applicable Note Number |
|-----------|-------------------|------------------------|
| Australia | EANSW             | 1                      |
| Austria   | OVE               | 1                      |
| Belgium   | CEBC              | 1                      |
| Canada    | CSA               | 2                      |
| Denmark   | DEMKO             | 1                      |
| Finland   | FIMKO             | 1                      |
| France    | UTE               | 1                      |
| Germany   | VDE               | 1                      |
| Italy     | IMQ               | 1                      |

---

### 3-Conductor Power Cord Set Requirements (*Continued*)

| Country         | Accredited Agency | Applicable Note Number |
|-----------------|-------------------|------------------------|
| Japan           | METI              | 3                      |
| The Netherlands | KEMA              | 1                      |
| Norway          | NEMKO             | 1                      |
| Sweden          | SEMKO             | 1                      |
| Switzerland     | SEV               | 1                      |
| United Kingdom  | BSI               | 1                      |
| United States   | UL                | 2                      |

#### Notes

1. The flexible cord must be <HAR> Type HO5VV-F, 3-conductor, 1.0 mm<sup>2</sup> conductor size. Power cord set fittings (appliance coupler and wall plug) must bear the certification mark of the agency responsible for evaluation in the country where it will be used.
2. The flexible cord must be Type SPT-3 or equivalent, No. 18 AWG, 3-conductor. The wall plug must be a two-pole grounding type with a NEMA 5-15P (15 A, 125 V) or NEMA 6-15P (15 A, 250 V) configuration.
3. The appliance coupler, flexible cord, and wall plug must bear a "T" mark and registration number in accordance with the Japanese Dentori Law. The flexible cord must be Type VCT or VCTF, 3-conductor, 1.00 mm<sup>2</sup> conductor size. The wall plug must be a two-pole grounding type with a Japanese Industrial Standard C8303 (7 A, 125 V) configuration.

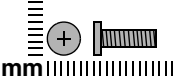


---

## Screw Listing

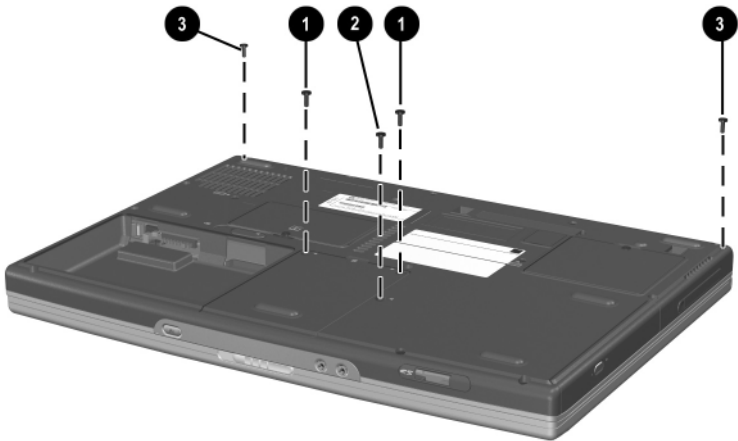
This appendix provides specification and reference information for the screws used in the notebook. All screws listed in this appendix are available in the Miscellaneous Screw Kit, spare part number 337012-001.

**Table C-1**  
**Phillips PM2.5×9.5 Screw**

|  mm | Color | Qty. | Length | Thread | Head Width |
|--|-------|------|--------|--------|------------|
|  | Black | 9    | 9.5 mm | 2.5 mm | 5.0 mm     |

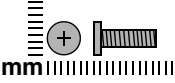
**Where used:**

- ❶ Two screws that secure the hard drive to the notebook (documented in [Section 5.3](#))
- ❷ One screw that secures the optical drive to the notebook (documented in [Section 5.8](#))
- ❸ Two screws that secure the display assembly to the notebook (documented in [Section 5.15](#))



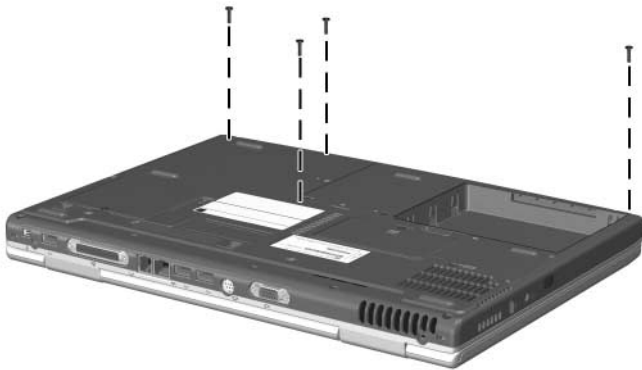
*Phillips PM2.5×9.5 Screw Locations*

**Table C-1**  
**Phillips PM2.5x9.5 Screw (Continued)**

|  mm | Color | Qty. | Length | Thread | Head Width |
|--|-------|------|--------|--------|------------|
|  | Black | 9    | 9.5 mm | 2.5 mm | 5.0 mm     |

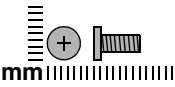
**Where used:**

4 screws that secure the top cover to the notebook  
 (documented in [Section 5.16](#))



*Phillips PM2.5x7.0 Screw Locations*

**Table C-2**  
**Phillips PM2.5x7.0 Screw**

|  mm | Color | Qty. | Length | Thread | Head Width |
|--|-------|------|--------|--------|------------|
|  | Black | 5    | 7.0 mm | 2.5 mm | 5.0 mm     |

**Where used:**

3 screws that secure the display assembly to the notebook through the rear panel (documented in [Section 5.15](#))

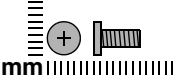


*Phillips PM2.5x7.0 Screw Locations*



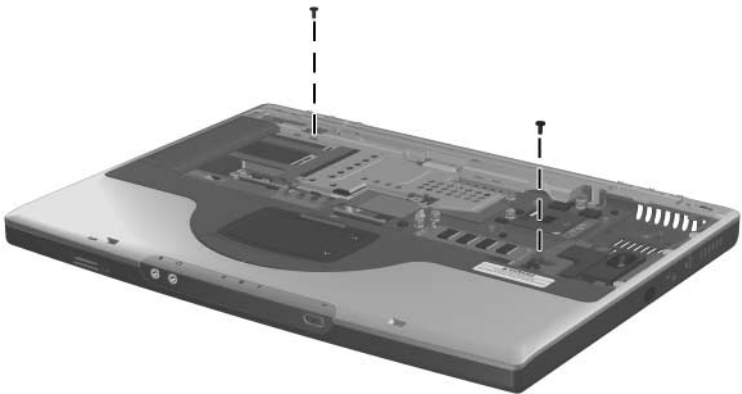
Table C-2

## Phillips PM2.5x7.0 Screw (Continued)

|  mm | Color | Qty. | Length | Thread | Head Width |
|--|-------|------|--------|--------|------------|
|  | Black | 5    | 7.0 mm | 2.5 mm | 5.0 mm     |

**Where used:**

2 screws that secure the top cover to the notebook  
(documented in [Section 5.16](#))

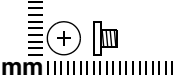


Phillips PM2.5x7.0 Screw Locations

---

**Table C-3**  
**Phillips PM2.5x3.5 Screw**

---

|  mm | <b>Color</b> | <b>Qty.</b> | <b>Length</b> | <b>Thread</b> | <b>Head Width</b> |
|--|--------------|-------------|---------------|---------------|-------------------|
|  | Silver       | 4           | 3.5 mm        | 2.5 mm        | 5.0 mm            |

---

**Where used:**

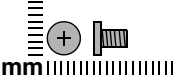
4 screws that secure the hard drive to the hard drive cover and shield (documented in [Section 5.3](#))

---



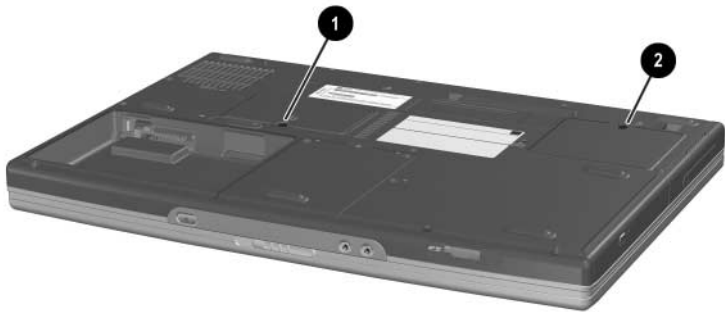
*Phillips PM2.5x3.5 Screw Locations*

**Table C-4**  
**Phillips PM2.5×5.0 Screw**

|  mm | Color | Qty. | Length | Thread | Head Width |
|--|-------|------|--------|--------|------------|
|  | Black | 13   | 5.0 mm | 2.5 mm | 5.0 mm     |

**Where used:**

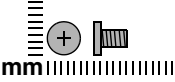
- ❶ One screw that secures the memory module compartment cover to the notebook (documented in [Section 5.5](#))
- ❷ One screw that secures the Mini PCI compartment cover to the notebook (documented in [Section 5.6](#))



*Phillips PM2.5×5.0 Screw Locations*

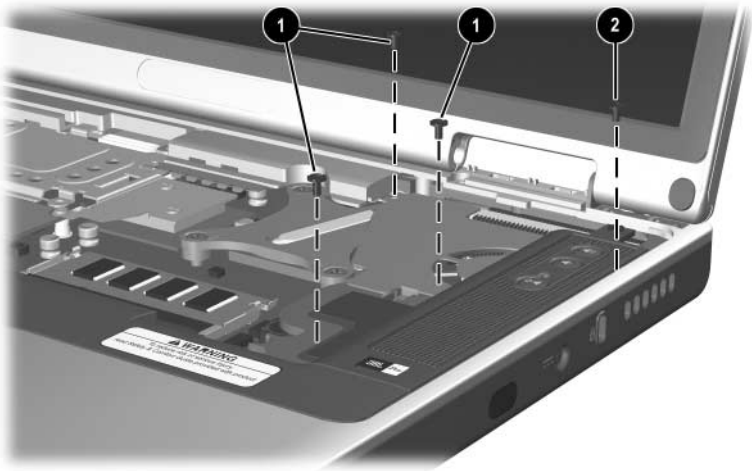
Table C-4

## Phillips PM2.5x5.0 Screw (Continued)

|  mm | Color | Qty. | Length | Thread | Head Width |
|--|-------|------|--------|--------|------------|
|  | Black | 13   | 5.0 mm | 2.5 mm | 5.0 mm     |

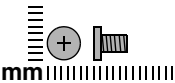
**Where used:**

- ❶ Three screws that secure the speaker cover to the notebook (documented in [Section 5.11](#))
- ❷ One screw that secures the fan to the notebook (documented in [Section 5.12](#))



Phillips PM2.5x5.0 Screw Locations

**Table C-4**  
**Phillips PM2.5x5.0 Screw (Continued)**

|  | Color | Qty. | Length | Thread | Head Width |
|---|-------|------|--------|--------|------------|
|   | Black | 13   | 5.0 mm | 2.5 mm | 5.0 mm     |

**Where used:**

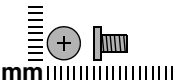
1 screw that secures the display assembly to the notebook through the rear panel (documented in [Section 5.15](#))



*Phillips PM2.5x5.0 Screw Locations*

Table C-4

## Phillips PM2.5x5.0 Screw (Continued)

|  | Color | Qty. | Length | Thread | Head Width |
|---|-------|------|--------|--------|------------|
| mm  | Black | 13   | 5.0 mm | 2.5 mm | 5.0 mm     |

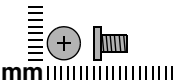
**Where used:**

2 screws that secure the top cover to the notebook in the hard drive bay (documented in [Section 5.16](#))



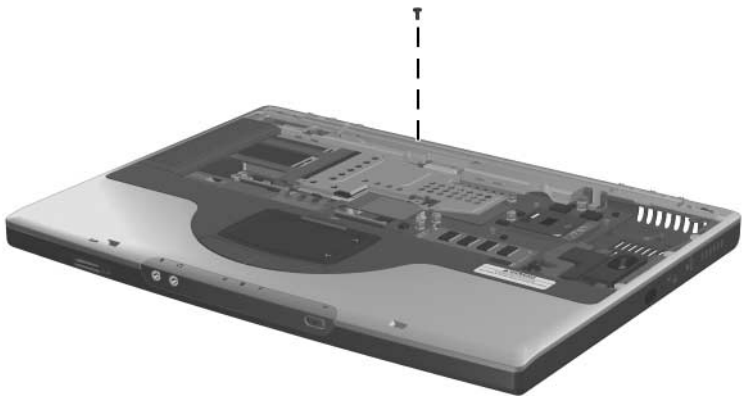
Phillips PM2.5x5.0 Screw Locations

**Table C-4**  
**Phillips PM2.5x5.0 Screw (Continued)**

|  | Color | Qty. | Length | Thread | Head Width |
|---|-------|------|--------|--------|------------|
|   | Black | 13   | 5.0 mm | 2.5 mm | 5.0 mm     |

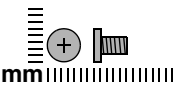
**Where used:**

1 screw that secures the top cover to the notebook  
 (documented in [Section 5.16](#))



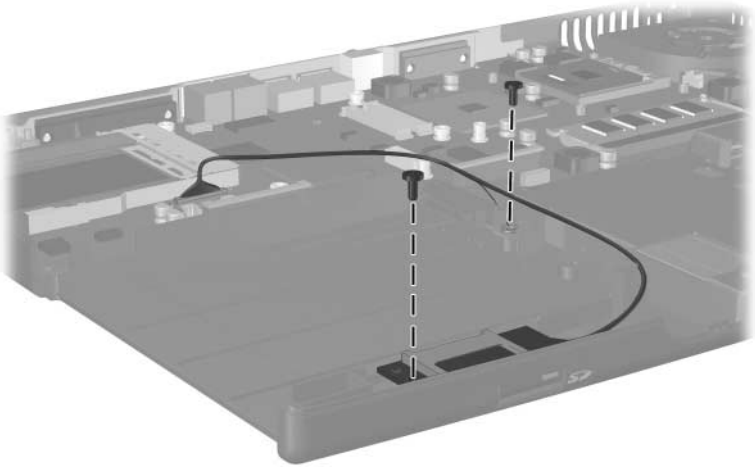
*Phillips PM2.5x5.0 Screw Location*

**Table C-4**  
**Phillips PM2.5x5.0 Screw (Continued)**

|  | Color | Qty. | Length | Thread | Head Width |
|---|-------|------|--------|--------|------------|
|   | Black | 13   | 5.0 mm | 2.5 mm | 5.0 mm     |

**Where used:**

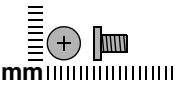
2 screws that secure the SD Card slot board and cable to the notebook (documented in [Section 5.18](#))



*Phillips PM2.5x5.0 Screw Locations*

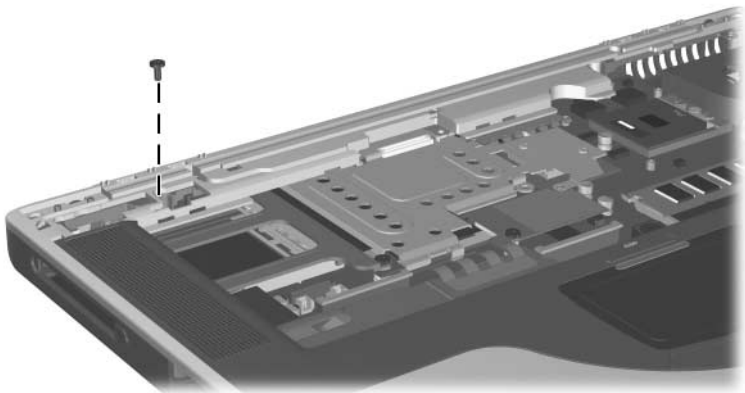


**Table C-4**  
**Phillips PM2.5x5.0 Screw (Continued)**

|  | Color | Qty. | Length | Thread | Head Width |
|---|-------|------|--------|--------|------------|
|   | Black | 13   | 5.0 mm | 2.5 mm | 5.0 mm     |

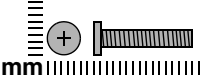
**Where used:**

1 screw that secures the system board to the notebook  
 (documented in [Section 5.21](#))



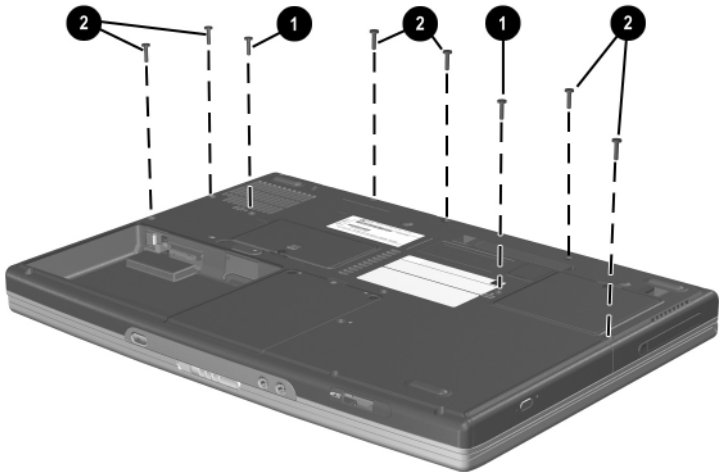
*Phillips PM2.5x5.0 Screw Location*

**Table C-5**  
**Phillips PM2.5x15.0 Screw**

|  mm | Color | Qty. | Length  | Thread | Head Width |
|--|-------|------|---------|--------|------------|
|  | Black | 10   | 15.0 mm | 2.5 mm | 5.0 mm     |

**Where used:**

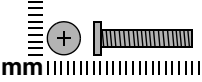
- ❶ Two screws that secure the keyboard to the notebook (documented in [Section 5.9](#))
- ❷ Six screws that secure the top cover to the notebook (documented in [Section 5.16](#))



*Phillips PM2.5x15.0 Screw Locations*

Table C-5

## Phillips PM2.5×15.0 Screw (Continued)

|  mm | Color | Qty. | Length  | Thread | Head Width |
|--|-------|------|---------|--------|------------|
|  | Black | 10   | 15.0 mm | 2.5 mm | 5.0 mm     |

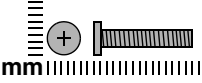
**Where used:**

1 screw that secures the display assembly cable to the notebook (documented in [Section 5.15](#))



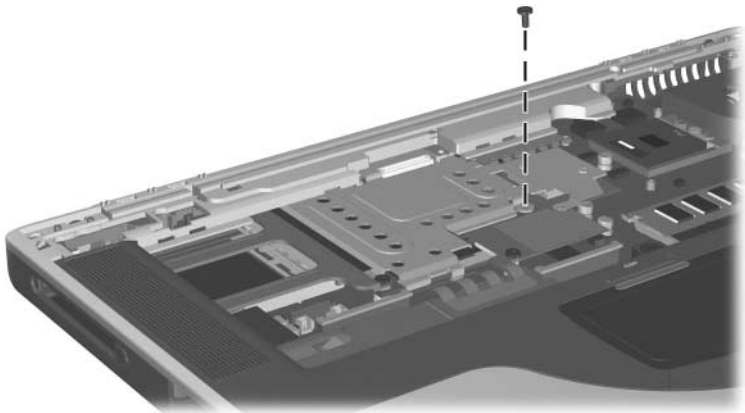
Phillips PM2.5×15.0 Screw Location

**Table C-5**  
**Phillips PM2.5×15.0 Screw (Continued)**

|  mm | Color | Qty. | Length  | Thread | Head Width |
|--|-------|------|---------|--------|------------|
|  | Black | 10   | 15.0 mm | 2.5 mm | 5.0 mm     |

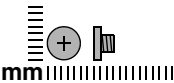
**Where used:**

1 screw that secures the VGA shield to the notebook  
 (documented in [Section 5.19](#))



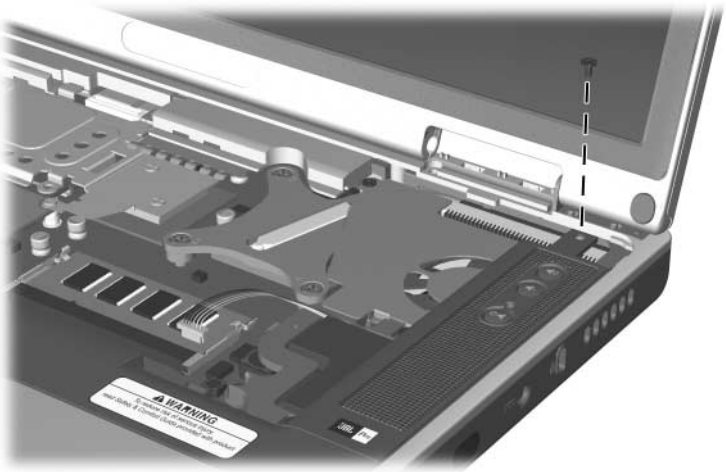
*Phillips PM2.5×15.0 Screw Location*

**Table C-6**  
**Phillips PM2.5×3.0 Screw**

|  | Color | Qty. | Length | Thread | Head Width |
|---|-------|------|--------|--------|------------|
|   | Black | 1    | 3.0 mm | 2.5 mm | 5.0 mm     |

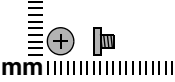
**Where used:**

1 screw that secures the speaker cover to the notebook  
 (documented in [Section 5.11](#))



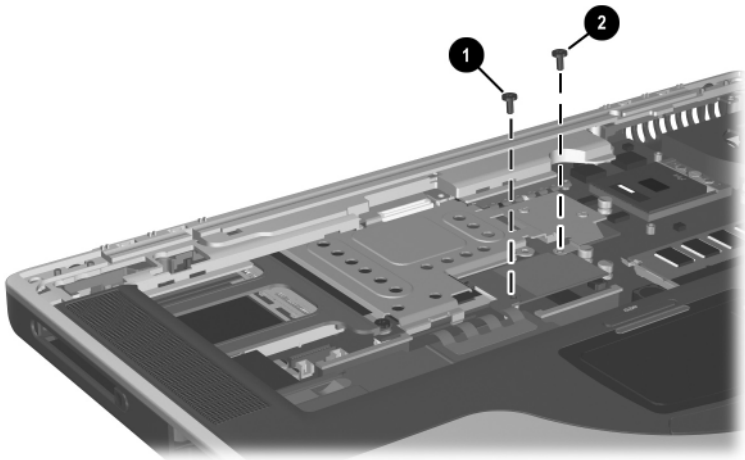
*Phillips PM2.5×3.0 Screw Location*

**Table C-7**  
**Phillips PM2.0x3.0 Screw**

|  | Color | Qty. | Length | Thread | Head Width |
|---|-------|------|--------|--------|------------|
|   | Black | 2    | 3.0 mm | 2.0 mm | 4.0 mm     |

**Where used:**

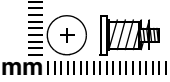
- ❶ One screw that secures the top cover to the notebook (documented in [Section 5.16](#))
- ❷ One screw that secures the VGA shield to the notebook (documented in [Section 5.19](#))



*Phillips PM2.0x3.0 Screw Locations*

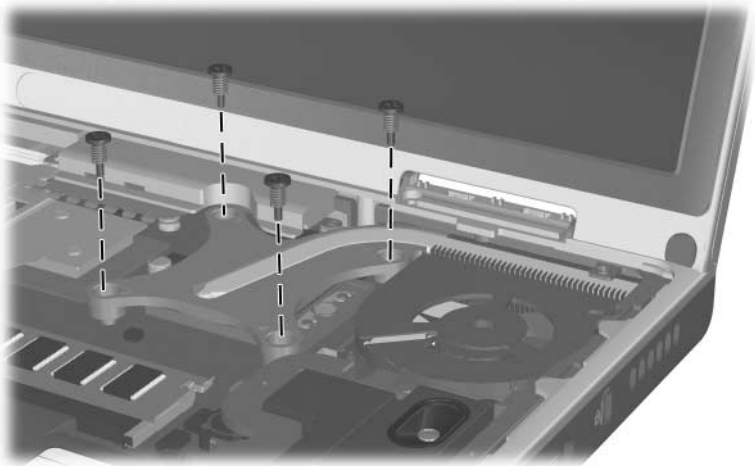
Table C-8

## Phillips PM2.0x9.0 Spring-Loaded Screw

|  mm | Color  | Qty. | Length | Thread | Head Width |
|--|--------|------|--------|--------|------------|
|  | Silver | 4    | 9.0 mm | 2.0 mm | 6.0 mm     |

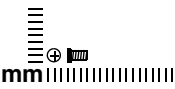
**Where used:**

4 screws that secure the heat sink to the notebook  
(documented in [Section 5.13](#))



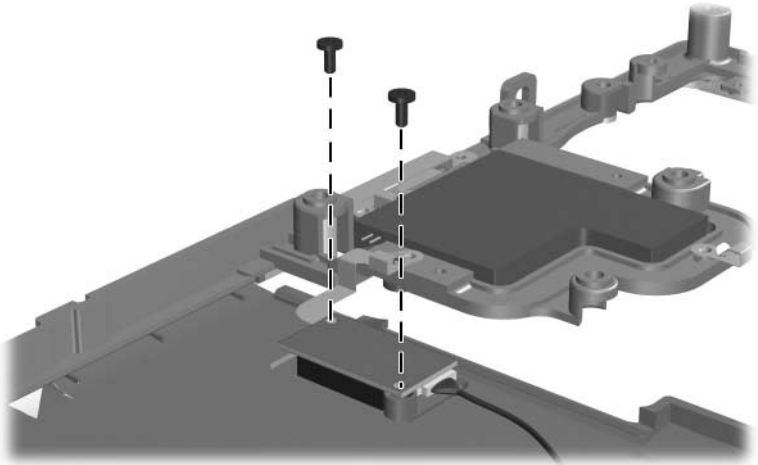
Phillips PM2.0x9.0 Spring-Loaded Screw Locations

**Table C-9**  
**Phillips PM1.5x3.0 Screw**

|  | Color  | Qty. | Length | Thread | Head Width |
|---|--------|------|--------|--------|------------|
|   | Silver | 2    | 3.0 mm | 1.5 mm | 2.0 mm     |

**Where used:**

2 screws that secure the Bluetooth board to the top cover  
 (documented in [Section 5.17](#))



*Phillips PM1.5x3.0 Screw Locations*



---

# Index

1394 connector, location 1–31  
802.11b wireless LAN, spare  
part numbers 3–11, 5–11

## A

AC adapter  
    spare part number 3–19  
    specifications 6–7  
audio line-out jack  
    location 1–29  
    pin assignments A–4  
audio troubleshooting 2–21

## B

base enclosure, spare part  
    number 3–9  
battery bay, location 1–37  
battery pack  
    removal 5–5  
    spare part number 3–13  
    specifications 6–7  
battery pack release latch,  
    location 1–37  
Bluetooth wireless  
    communications board  
        removal 5–37  
        spare part number 3–7,  
        3–11, 5–11, 5–37  
bottom components 1–36

## C

cables, service considerations  
    4–2  
caps lock light, location 1–35  
CD-ROM drive  
    removal 5–14  
    spare part number 5–14  
    specifications 6–11  
components  
    bottom 1–36  
    front 1–28  
    keyboard 1–32  
    left-side 1–28  
    rear panel 1–30  
    right-side 1–30  
    top 1–34  
Computer Setup  
    Advanced Menu 2–5  
    File Menu 2–3  
    overview 2–2  
    Security Menu 2–4  
connector pin assignments  
    audio line-out jack A–4  
    external monitor connector  
        A–3  
    microphone jack A–4  
    modem jack A–2

- monitor connector A-3
- network jack A-1
- RJ-11 telephone jack A-2
- RJ-45 network jack A-1
- S-Video connector A-3
- Universal Serial Bus (USB)
  - connector A-2
- connectors, service
  - considerations 4-2
- cursor control keys, location 1-33

**D**

- design overview 1-38
- Diagnostics for Windows 2-2
- disassembly sequence chart 5-3
- display assembly
  - removal 5-27
  - spare part numbers 3-3, 5-27
  - specifications 6-3, 6-4, 6-5
- display inverter, spare part number 3-3, 5-27
- display lid switch, location 1-35
- display release latch, location 1-29
- DMA specifications 6-12
- docking connector cover 3-14
- docking connector, location 1-37

- drives, preventing damage 4-3
- DVD-ROM drive
  - removal 5-14
  - spare part number 5-14
  - specifications 6-10

**E**

- electrostatic discharge 4-4, 4-7
- external monitor connector
  - location 1-31
  - pin assignments A-3

**F**

- F1** through **F12** function keys, location 1-33
- fan
  - removal 5-22
  - spare part number 3-11, 5-22
- features 1-25
- feet
  - illustrated 3-14
  - locations 5-8
- Fn** key, location 1-33
- front components 1-28

**G**

- grounding equipment and methods 4-6

**H**

- hard drive
  - OS loading problems 2-17
  - removal 5-6

- spare part numbers 3–13,  
3–18, 5–6
- specifications 6–6
- hard drive bay, location 1–37
- hard drive connector,  
illustrated 3–14
- hard drive cover  
illustrated 3–14  
removal 5–7
- hard drive shield  
illustrated 3–14  
removal 5–7
- heat sink  
removal 5–23  
spare part number 3–11,  
5–23

**I**

- I/O address specifications  
6–14
- infrared port 1–30
- internal keypad, location 1–33
- interrupt specifications 6–13

**K**

- keyboard
  - components 1–32
  - removal 5–15
  - spare part numbers 3–5,  
5–15
  - troubleshooting 2–24

**L**

- left-side components 1–28
- Logo Kit, spare part numbers  
3–19

**M**

- mass storage devices, spare  
part numbers 3–18
- memory expansion board  
spare part numbers 3–11
- memory expansion  
compartment cover  
illustrated 3–17  
location 1–37  
removal 5–9
- memory module  
removal 5–9
- microphone jack  
location 1–29  
pin assignments A–4
- Mini PCI communications  
board
  - removal 5–11
  - spare part numbers 3–11,  
5–11
- Mini PCI compartment cover  
illustrated 3–17  
location 1–37  
removal 5–11
- Miscellaneous Cable Kit  
components 3–7, 3–16  
spare part number 3–7,  
3–16, 3–17
- Miscellaneous Doors/Covers  
Kit
  - components 3–11
  - spare part number 3–11
- Miscellaneous Plastics Kit  
components 3–5, 3–14  
spare part numbers 3–5,  
3–15

- models 1–2
- modem
  - removal 5–44
  - spare part number 3–13, 5–44
  - troubleshooting 2–26
- modem cable 3–16, 3–17
- modem jack, pin assignments A–2
- monitor connector
  - location 1–31
  - pin assignments A–3
- mute button, location 1–35

## **N**

- network jack, pin assignments A–1
- network, troubleshooting 2–26
- nonfunctioning device,
  - troubleshooting 2–15, 2–23
- notebook specifications 6–1
- num lk** key, location 1–33
- num lock light, location 1–35

## **O**

- operating system loading,
  - troubleshooting 2–16
- optical drive
  - location 1–29
  - removal 5–14
  - spare part numbers 3–7, 3–18, 5–14

## **P**

- packing precautions 4–4
- parallel connector
  - location 1–31
  - pin assignments A–5
- password, clearing 1–27
- PC Card assembly, spare part number 3–9
- PC Card eject button, location 1–29
- PC Card slot, location 1–29
- PC Card space saver 3–14
- plastic parts 4–2
- pointing device,
  - troubleshooting 2–25
- Port Replicator,
  - troubleshooting 2–15
- power button 1–34
- power connector 1–30
- power cord, spare part numbers 3–19, 3–20
- power management features 1–27
- power, troubleshooting 2–9
- processor
  - removal 5–25
  - spare part numbers 3–9, 5–25

## **R**

- rear panel components 1–30
- removal
  - preliminaries 4–1
  - procedures 5–1

- replacement
  - preliminaries 4–1
  - procedures 5–1
- right-side components 1–30
- RJ-11 telephone jack
  - location 1–31
  - pin assignments A–2
- RJ-45 network jack
  - location 1–31
  - pin assignments A–1
- RTC (real time clock) battery
  - illustrated 3–17
  - removal 5–13
- RTC (real time clock) battery cover
  - illustrated 3–17
  - location 1–36
- S**
- Screw Kit, spare part number 3–20
- SD Card slot board
  - removal 5–39
  - spare part number 3–11, 5–39
- SD Card slot board cable 3–16, 3–17
- SD Card slot, location 1–29
- security cable slot, location 1–31
- serial number 3–1, 5–2
- service considerations 4–2
- speaker cover
  - removal 5–20
  - spare part numbers 3–7, 5–20
- speaker cover cable 3–16, 3–17
- speakers, location 1–34
- specifications 6–8, 6–9
  - AC adapter 6–7
  - battery pack 6–7
  - CD-ROM drive 6–11
  - display 6–3, 6–4, 6–5
  - DMA 6–12
  - DVD+RW/R and CD-RW Combo Drive 6–9
  - DVD/CD-RW Combo Drive 6–8
  - DVD-ROM drive 6–10
  - hard drive 6–6
  - I/O addresses 6–14
  - interrupts 6–13
  - notebook 6–1
- static shielding materials 4–8
- S-Video connector
  - location 1–31
  - pin assignments A–3
- switch cover
  - illustrated 3–14
  - removal 5–19
- system board
  - removal 5–46
  - spare part number 3–9, 5–46

## T

- thermal pad
  - replacement 5–23
  - spare part number 3–11, 5–23
- tools required 4–1
- top components 1–34
- top cover
  - removal 5–31
  - spare part numbers 3–7, 5–31
- TouchPad buttons, location 1–35
- TouchPad light, location 1–35
- TouchPad on/off button, location 1–35
- TouchPad scroll zones, location 1–35
- TouchPad, location 1–35
- transporting precautions 4–4
- troubleshooting
  - audio 2–21
  - Computer Setup 2–2
  - flowcharts 2–7
  - keyboard 2–24
  - modem 2–26
  - network 2–26
  - nonfunctioning device 2–15, 2–23
  - operating system loading 2–16
  - overview 2–1
  - pointing device 2–25
  - Port Replicator 2–15
  - power 2–9
  - video 2–13

## U

- Universal Serial Bus (USB) connector
  - location 1–31
  - pin assignments A–2

## V

- vent, location 1–31, 1–36
- VGA board
  - removal 5–41
  - spare part numbers 3–9, 5–41
- VGA board shield
  - removal 5–41
  - spare part number 3–9, 5–41
- video troubleshooting 2–13
- volume buttons, location 1–35

## W

- Windows applications key, location 1–33
- Windows logo key, location 1–33
- wireless antenna
  - disconnection 5–12
  - spare part number 3–9
- wireless device button, location 1–29
- workstation precautions 4–5