

HP Point of Sale System rp5000

Illustrated Parts Map
Small Form Factor Chassis



© 2003, 2004, 2006 Hewlett-Packard Development Company, L.P.

The information contained herein is subject to change without notice.

HP and the HP logo are trademarks of Hewlett-Packard Development Company, L.P.

Intel, Pentium, and Celeron are trademarks of Intel Corporation in the U.S. and other countries.

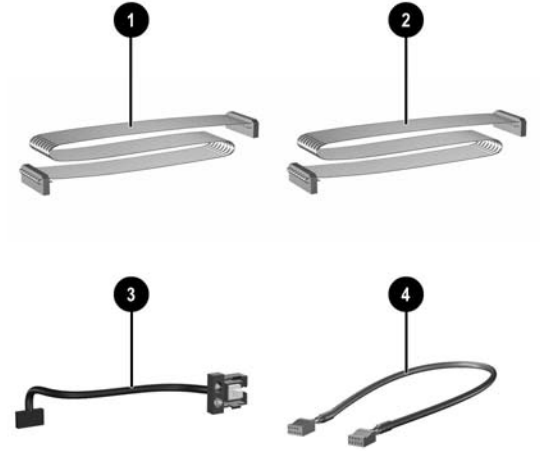
All other product names mentioned herein may be trademarks of their respective companies.

HP shall not be liable for technical or editorial errors or omissions contained herein. The information in this document is provided "as is" without warranty of any kind and is subject to change without notice. The warranties for HP products are set forth in the express limited warranty statements accompanying such products. **Nothing herein should be construed as constituting an additional warranty.**

First Edition, August 2003

Fourth Edition, June 2006

Document Number
344318-004

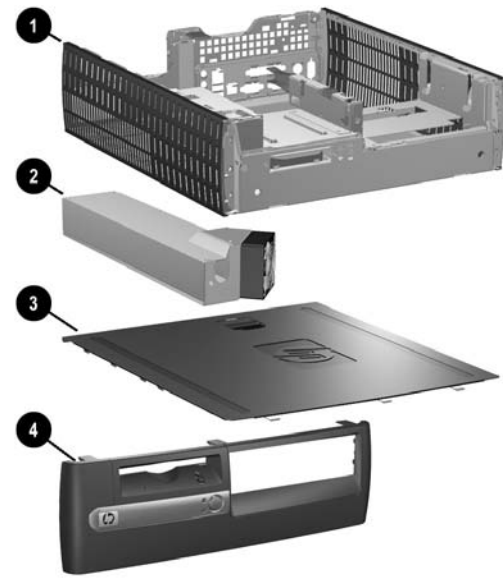


Cables

1	Diskette drive cable (168999-005)	337244-001 ◆
2	UATA data cable, single device	346948-001*☒ 407301-001 ◆
+	UATA data cable, single device for ODD or second HDD	337247-001*☒ 407302-001 ◆
3	Power switch/LED cable with switch holder	337243-001*☒ 407303-001 ◆
+	Wireless LAN antenna (use with 332963-001)	333365-001*☒
4	Powered USB card cable (use with 337069-001 or 398879-001)	289574-001*☒ 407306-001 ◆

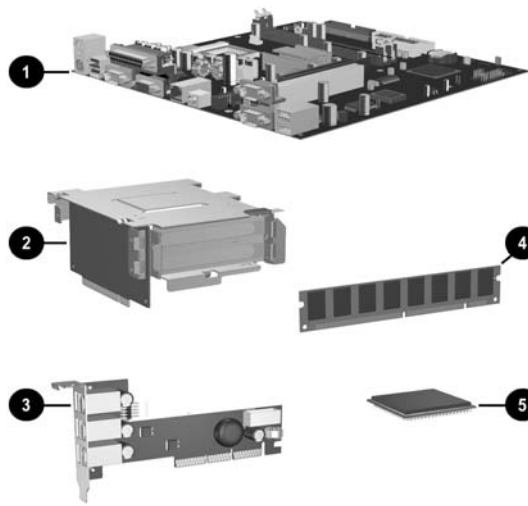
+Not shown

*See Requirement below



System Unit

1	Chassis assembly	not spared
2	Power supply, 185W, PFC	308617-001*☒ 397124-001 ◆
3	Computer access panel	280164-001*☒ 431921-001 ◆
4	Front bezel assembly	346947-001 ◆



Standard and Optional Boards

1	System board with alcohol pad and thermal grease	337070-001*☒ 350325-001*☒ 398878-001 ◆
2	Backplane (riser board without tray)	323090-001*☒ 398778-001 ◆
3	Powered USB card	337069-001*☒ 398879-001 ◆
Memory Modules		
4	128 MB 333 MHz DDR, PC3200	314795-001*☒
+	256 MB 333 MHz DDR, PC3200	314793-001*☒ 407309-001 ◆
+	512 MB 333 MHz DDR, PC3200	314796-001*☒ 407310-001 ◆
+	1.0 GB 333 MHz DDR, PC3200	314794-001*☒ 407311-001 ◆
Intel Processors with alcohol pad and thermal grease		
+	Celeron 2.0 GHz/400 MHz processor	346949-001*☒ 417346-001 ◆
	Celeron 2.5 GHz/400 MHz processor	344056-001*☒ 417347-001 ◆
5	Pentium 2.0 GHz/400 MHz processor	309578-001*☒ 417348-001 ◆
	Pentium 2.4 GHz/533 MHz processor	288689-001*☒ 417345-001 ◆
	Pentium 2.8 GHz/533 MHz processor	305051-001*☒ 417349-001 ◆
Other Cards		
+	nVidia Quadro4 100 NVS, PCI, 32 MB, ATX bkt	322892-001*☒
+	Wireless LAN PCI Adapter (802.11) wo/cable -001 = Rest of World w/antenna -002 = North America w/antenna	332963-001*☒ 391866-001 ◆ 391866-002 ◆
	nVidia Quadro4 280 NVS, PCI, 64 MB	351384-001*☒ 398686-001 ◆
+	Modem, v.92, PCI	239411-001*☒ 398661-001 ◆

+Not shown

* See Requirement below

Notes:

- ☒ Original Spare
- ◆ Modified Spare

REQUIREMENT:

For customers in countries/regions with RoHS legislation* (e.g. EU, China, etc.) restricting the use of hazardous substances in electrical equipment.

The use of the Original Spare part is regulated by RoHS legislation. If your unit contains a part that is labelled with the Modified Spare number, the Modified Spare must be ordered as the replacement part. If your unit contains a part that is labelled with the Original Spare number, please order the Original Spare as the replacement part. In this case either the Original Spare or the Modified Spare may be shipped which will not affect performance or functionality of the unit.

*Directive 2002/95/EC restricts the use of lead, mercury, cadmium, hexavalent chromium, PBBs and PBDEs in electronic products. Countries/regions outside the EU, e.g. China, are introducing similar legislation. References to 'RoHS legislation' means requirements of Directive 2002/95/EC or similar substance restrictive legislation enacted by any country/region outside the EU, or similar substance restrictive legislation enacted by any country/region outside the EU.



Miscellaneous Parts

1	Front bezel assembly	346947-001 ◆
+	Diskette drive bay bezel blank	337019-001 ◆
2	5.25" Bay bezel blank	335937-001 ◆
3	Speaker with housing	337249-001*☒ 398777-001 ◆
4	Heatsink with fan, thermal grease and alcohol pad	336580-001*☒ 407307-001 ◆
5	Chassis fan	342685-001*☒ 407304-001 ◆
+	System board tray with 2nd serial port	353055-001*☒ 407305-001 ◆
+	Mouse, 2-Button, PS/2 with scroll wheel	323614-001*☒ 390937-001 ◆
+	Mouse, 2-Button, optical	390938-001 ◆
+	Misc screw kit, includes:	337237-001 ◆

M3 x 5mm, hitop (247348-001) 4 ea

#6-32 x .250, hitop (192308-001) 8 ea

#6-32 x .250, pan head (101517-067) 3 ea

#6-32 x .312, hitop (192308-002) 4 ea

#6-32 x .312, pan head (101346-068) 2 ea

#6-19 x .315, T15 head, Plastite (331310-001) 2 ea

+	External USB Flash Drive, 64 MB	331465-001*☒
+	External USB Flash Drive, 128 MB	331466-001*☒
+	Powered serial port cover	353054-001 ◆
+	Real-time-clock battery	153099-001 ◆

+Not shown

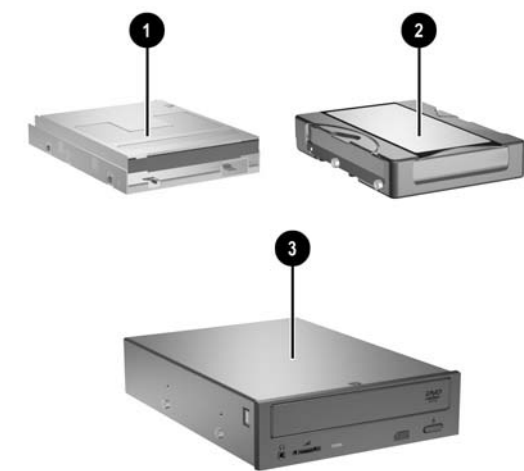
*See Requirement below

Keyboards (not illustrated)

PS/2, Basic		346984-001*☒ 382925-xxx ◆	
Danish	-081	Italian	-061
French	-051	LA Spanish	-161
French Arabic	-DE1	Spanish	-071
French Canadian	-121	Swiss	-111
Greek	-041	United Kingdom	-031
Hebrew	-BB1	U.S.	-001
International**	-B31		

+Not shown

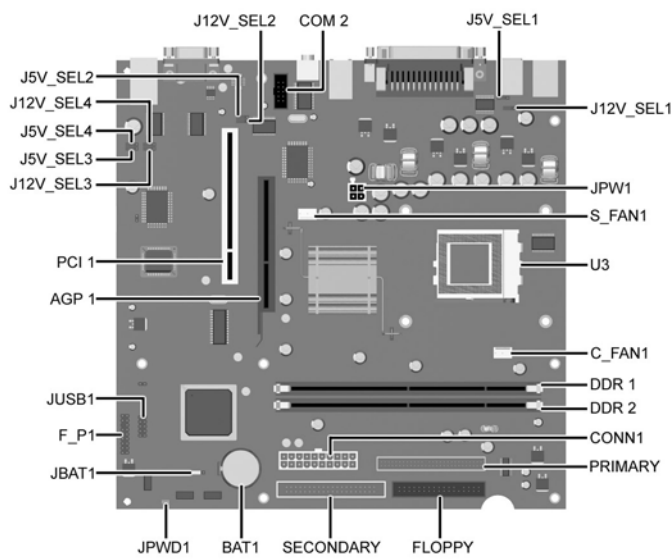
*See Requirement below



Mass Storage Devices

1	Diskette drive, w/out bracket, with mounting screws	333505-001*☒ 392415-001 ◆
2	40 GB/5400 RPM PATA Hard drive	411960-001 ◆
+	80 GB/7200 RPM PATA Hard drive	411961-001 ◆
3	48X CD-ROM drive with mounting screws	340430-001*☒ 397130-001 ◆
+	48/32/48X CD-RW Drive	395272-001 ◆
+	48/32/48+16X CD/DVD Drive	405425-001 ◆
+	16/40X DVD ROM Drive	325313-001*☒ 405761-001 ◆
+	16X DVD+/-RW Drive	405760-001 ◆

+Not shown



System Board Connectors and Jumpers (position of some untitled components may vary in location)

AGP 1	AGP slot (for powered USB card only)	J12V_SEL 1**	12V Jumper for COM 1#
BAT 1	Battery	J12V_SEL 2**	12 V Jumper for COM 2#
C_FAN 1	CPU fan	J12V_SEL 3**	12 V Jumper for COM 3#
COM 2	Flying serial port	J12V_SEL 4**	12 V Jumper for COM 4#
CONN1	Main power (20 pin)	JBAT 1*	CMOS jumper
DDR 1	Memory socket 1	JPW 1	CPU regulator power (4 pin)
DDR 2	Memory socket2	JPWD 1	Password jumper
FLOPPY	Diskette drive	JUSB1*	Signal connector for powered USB card
F_P 1	Front panel power switch/LED	PCI 1	PCI slot 1
J5V_SEL 1**	5V Jumper for COM 1#	PRIMARY	Primary IDE
J5V_SEL 2**	5V Jumper for COM 2#	S_FAN 1	Chassis fan
J5V_SEL 3**	5V Jumper for COM 3#	SECONDARY	Secondary IDE
J5V_SEL 4**	5V Jumper for COM 4#	U3	Processor socket
*Default = pins 1-2		#See instructions below	
**Default = pins 2-3			

System hardware Interrupts

IRQ	System Function	IRQ	System Function
0	Timer Interrupt	8	Real-Time Clock
1	Keyboard	9	Unused
2	Interrupt Controller Cascade	10	Serial Port (COM C)
3	Serial Port (COM B)	11	Unused, available for PCI
4	Serial Port (COM A)	12	Mouse
5	Serial Port (COM D)	13	Coprocessor
6	Diskette Drive	14	Primary ATA (IDE) Controller
7	Parallel Port (LPT 1)	15	Secondary ATA (IDE) Controller

Computer Diagnostic LEDs (on front of computer)

LED	Color	LED Activity	State/Message
Power	Green	On	(S0) Computer on
Power	Green	1 blink every 1 second	(S1) Suspend Mode
Power	Green	1 blink every 1 second	(S3) Suspend to RAM
Power	Green	Off	(S4) Suspend to Disk (if applicable)
Power	Clear	Off	(S5) Computer off
Power	Red	On	Power Supply failure
Power	Red*	2 blinks 1 second apart	CPU thermal shutdown
Power	Red	On	CPU not installed
Power	Red*	1 blink every 2 seconds	Power supply overload (crow bar)
Power	Red*	5 blinks 1 second apart	No memory
Power	Red*	6 blinks 1 second apart	No graphics
Power	Red*	7 blinks 1 second apart	System board failure (detected prior to video)
Power	Red*	8 blinks 1 second apart	Invalid ROM
Hard Drive	Green	Blinking	Hard drive activity

*Blinking codes are repeated after a 2 second pause.

Keyboard Diagnostic LEDs, PS/2 Keyboards Only

LED	Color	LED Activity	State/Message
Num, Caps, Scroll Lock	Green	On (Rising Tone)	ROM reflashed successfully
Num Lock	Green	On	ROMPaq diskette not present, is bad, or drive not ready.*
Caps Lock	Green	On	Enter password.
Num, Caps, Scroll Lock	Green	Blink On in sequence, one at a time - N, C, SL	Keyboard locked in network mode

* Insert valid ROMPaq diskette in drive A. Turn power switch off, then on to reflash ROM. If ROM flash is successful, all three keyboard LEDs will light up, and you will hear a rising tone series of beeps. Remove diskette and turn power off, then on to restart the computer. For more information about flashing the ROM, refer to the Troubleshooting guide.

Computer Setup (F10) Utility Features (not all features may be available)

File	System Information About Set Time and date	Save to Diskette Restore From Diskette Set defaults and Exit	Ignore Changes and Exit Save Changes and Exit
Storage	Device Configuration Options	IDE DPS Self-Test Controller Order	Boot Order
Security	Setup Password Power-On Password Password Options Smart Cover	Smart Sensor DriveLock Master Boot Record Security Save Master Boot Record	Restore Master Boot Record Device Security Network Service Boot System IDs
Advanced	Power-On Options Onboard devices	PCI Devices Bus Options	Device Options PCI VGA Configuration

Note: See Computer Setup (F10) Utility Guide on the Documentation Library CD.

Clearing CMOS

The computer's configuration (CMOS) may occasionally be corrupted. If it is, it is necessary to clear the CMOS memory using jumper JBAT 1.

To clear and reset the configuration, perform the following procedure:

1. Prepare the computer for disassembly.

CAUTION: The power cord must be disconnected from the power source before pushing the Clear CMOS Button (NOTE: All LEDs on the board should be OFF). Failure to do so may damage the system board

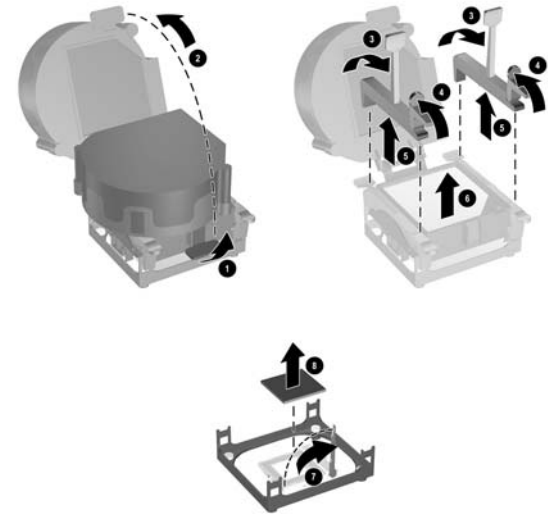
2. Remove the access panel.
3. Move the CMOS jumper JBAT 1 from pins 1-2 to pins 2-3.
4. After 60 seconds, move the jumper back to pins 1-2.
5. Replace the access panel.
6. Turn the computer on and run F10 Computer Setup (Setup-utility) to reconfigure the system.

Disabling or Clearing the Power-On and Setup Passwords

1. Turn off the computer and any external devices, and disconnect the power cord from the power outlet.
2. Remove the access panel.
3. Locate the header and jumper labeled JPWD1.
4. Remove the jumper from pins 1 and 2. Place the jumper over pin 2 only, in order to avoid losing it.
5. Replace the access panel.
6. Plug in the computer and turn on power. Allow the operating system to start.
NOTE: Placing the jumper on pin 2 clears the current passwords and disables the password features.
7. To re-enable the password features, repeat steps 1-3, then replace the jumper on pins 1 and 2.
8. Repeat steps 5-6, then establish new passwords.

Refer to the Computer Setup (F10 Setup) instructions to establish new passwords.

Heat Sink Removal - Early Models



Powered Serial Ports (Powered serial ports ship with blue plastic caps on them for easy identification)

Pin No.	RS-232 Signal	Direction	Notes
1	DCD	Input	May be configured for either 0V or +12V.
2	RxD	Input	
3	TxD	Output	
4	DTR	Output	
5	SG	Signal gnd	
6	DSR	Input	
7	RTS	Output	
8	CTS	Input	
9	RI	Input	May be configured for either 0V or +5V.

Jumper Settings

