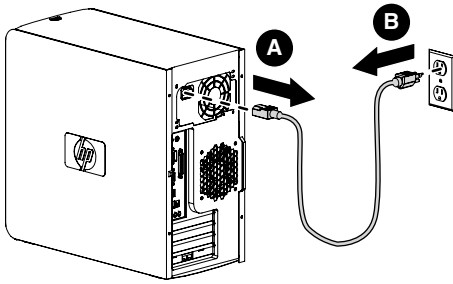


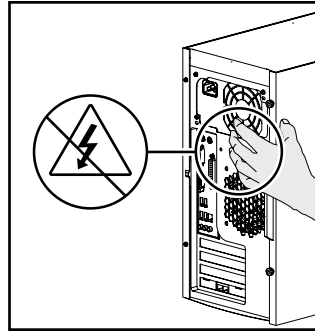
## BEFORE YOU BEGIN

### 1 Unplug the computer

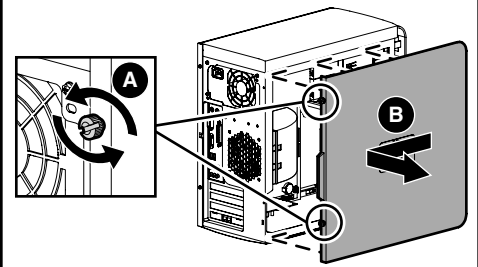


### 2 Ground yourself

Before doing any work inside your computer, ground yourself by touching a metal part of the computer's frame.

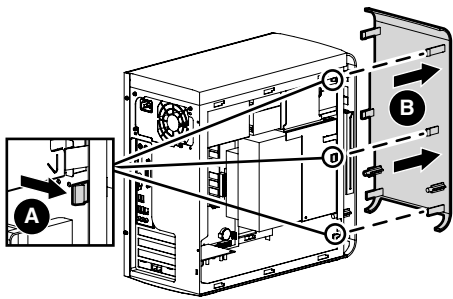


### 3 Remove side cover

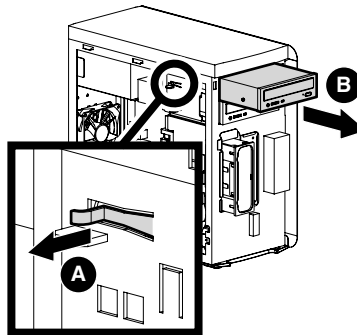


## CD/DVD DRIVE

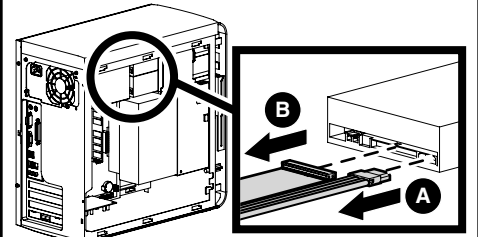
### 1 Remove front bezel



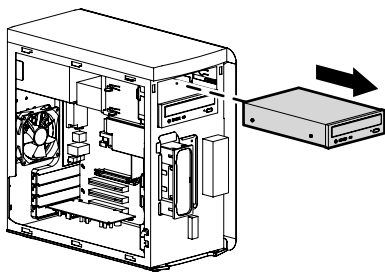
### 2 Release and slide part forward



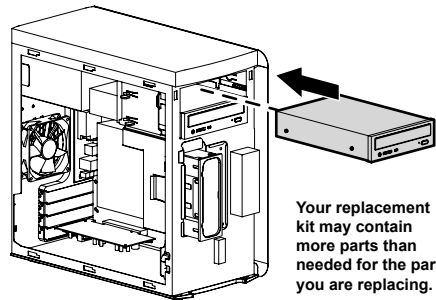
### 3 Remove connectors



### 4 Remove part

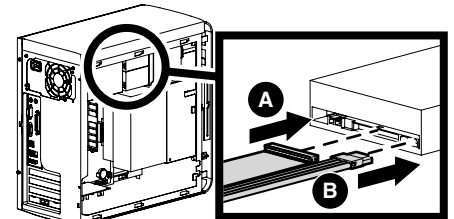


### 5 Replace part



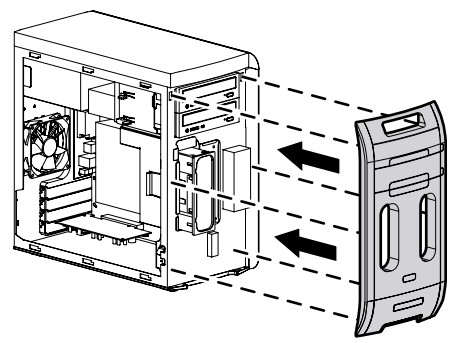
Your replacement kit may contain more parts than needed for the part you are replacing.

### 6 Replace connectors



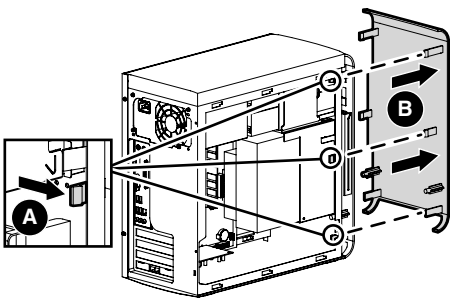
All connectors are keyed for their intended location and should not require excessive force to plug in.

### 7 Replace front bezel

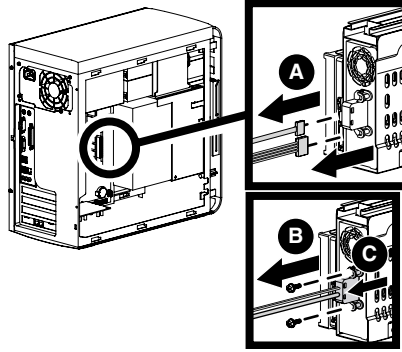


# HARD DRIVE

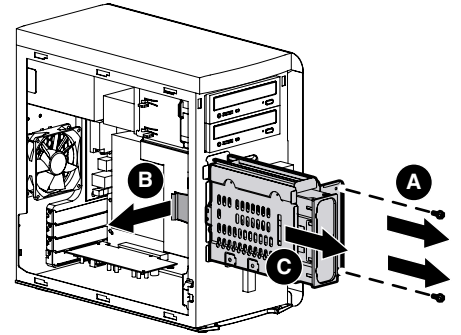
**1** Remove front bezel



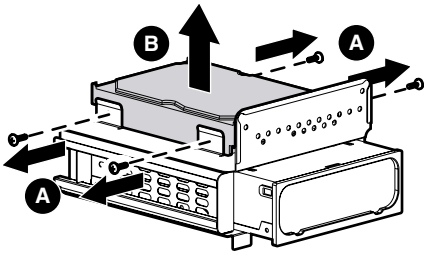
**2** Remove connectors



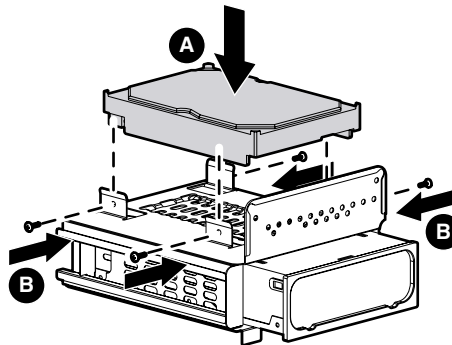
**3** Remove drive cage



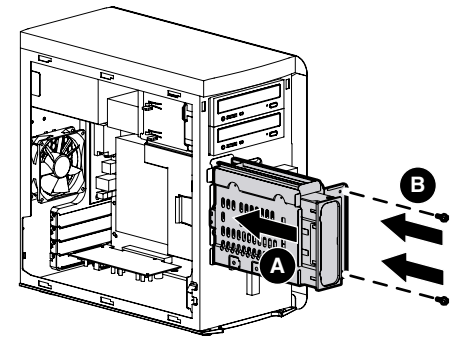
**4** Remove part



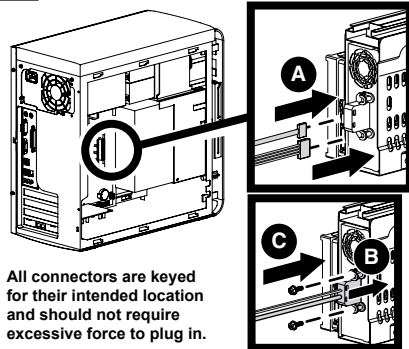
**5** Replace part



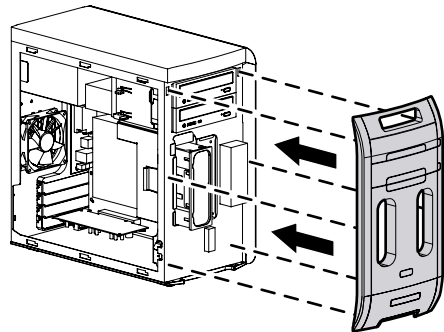
**6** Replace drive cage



**7** Replace connectors

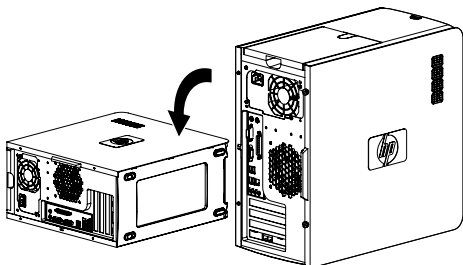


**8** Replace front bezel

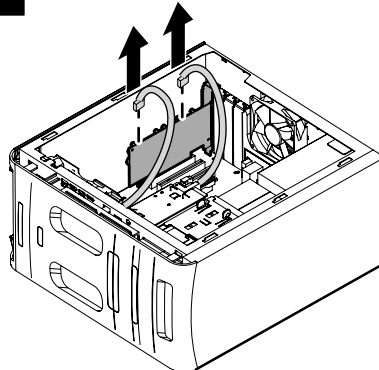


# EXPANSION/RAID CARD

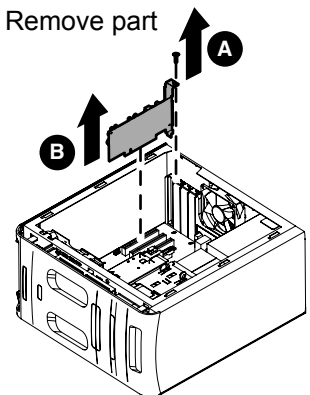
**1** Lay down computer

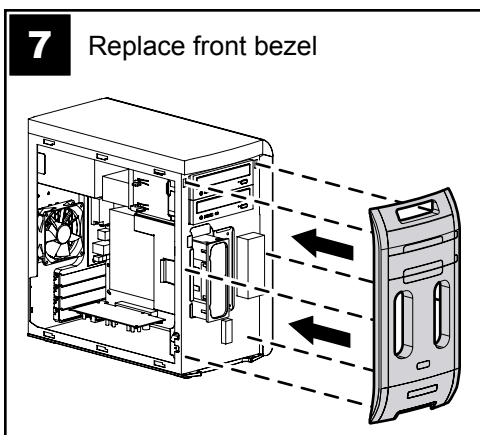
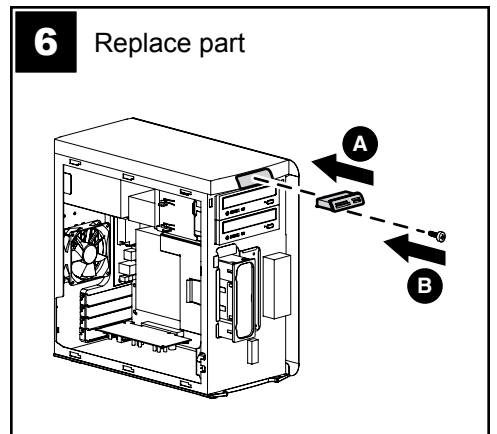
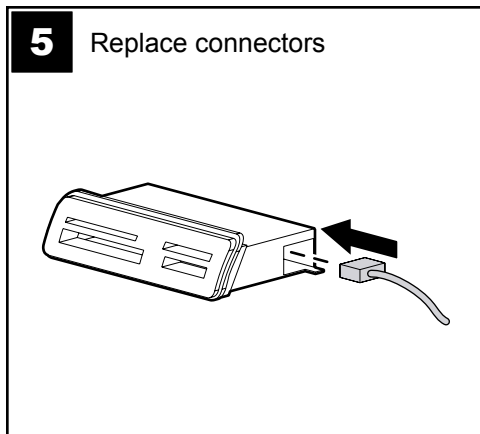
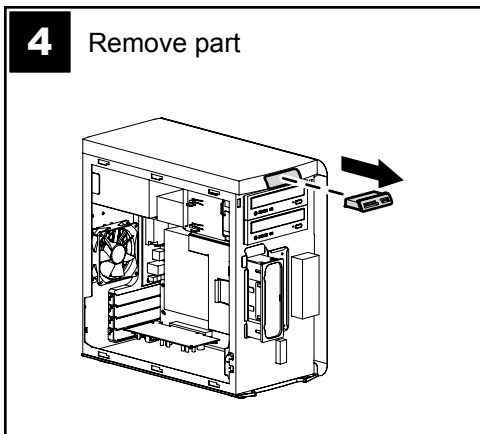
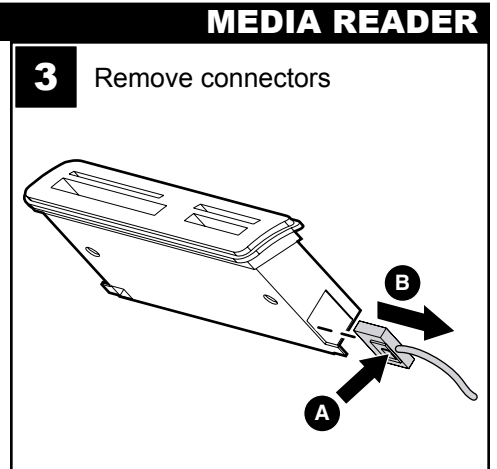
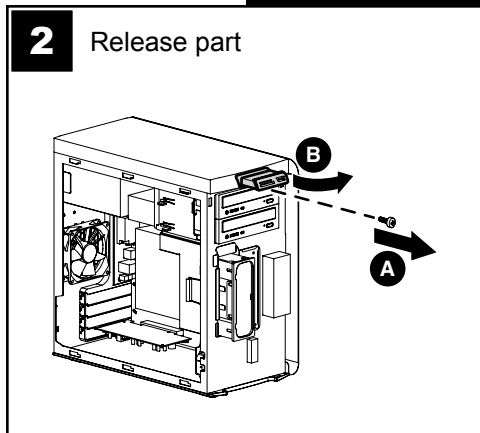
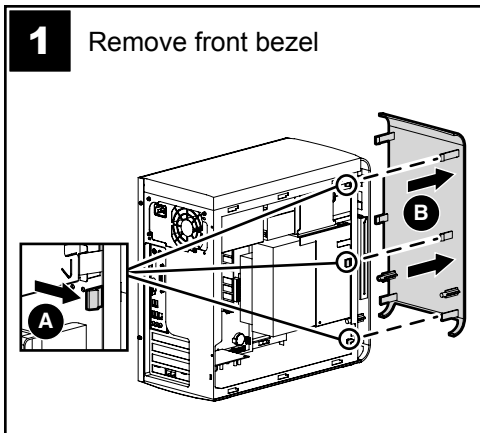
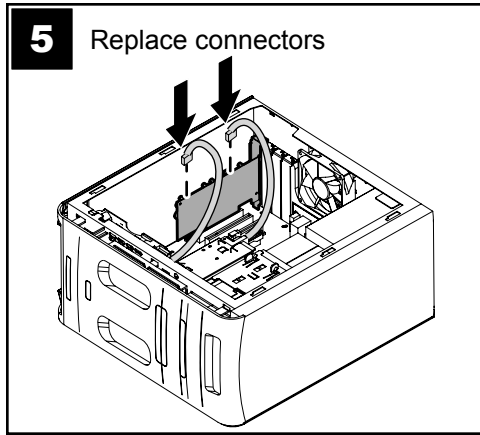
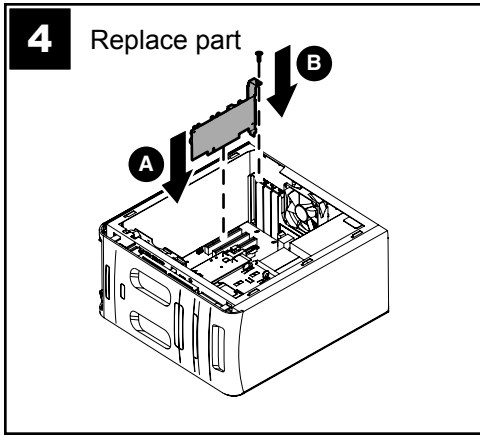


**2** Remove connectors



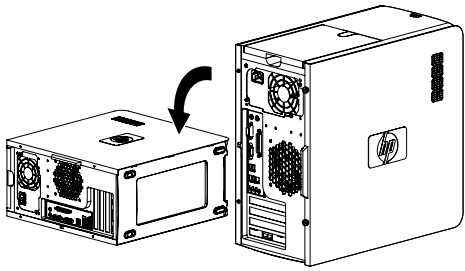
**3** Remove part



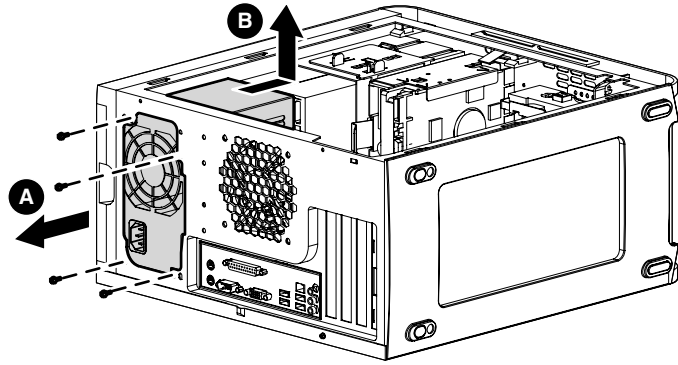


# POWER SUPPLY

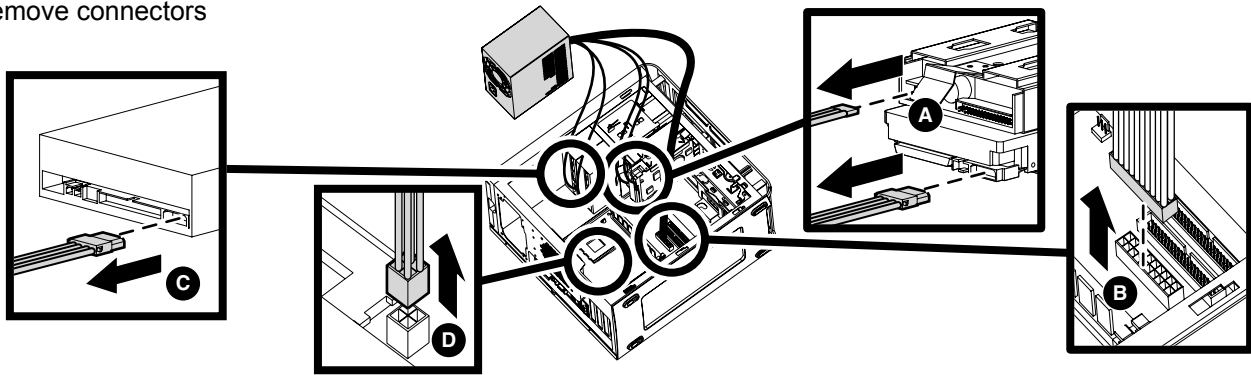
**1** Lay down computer



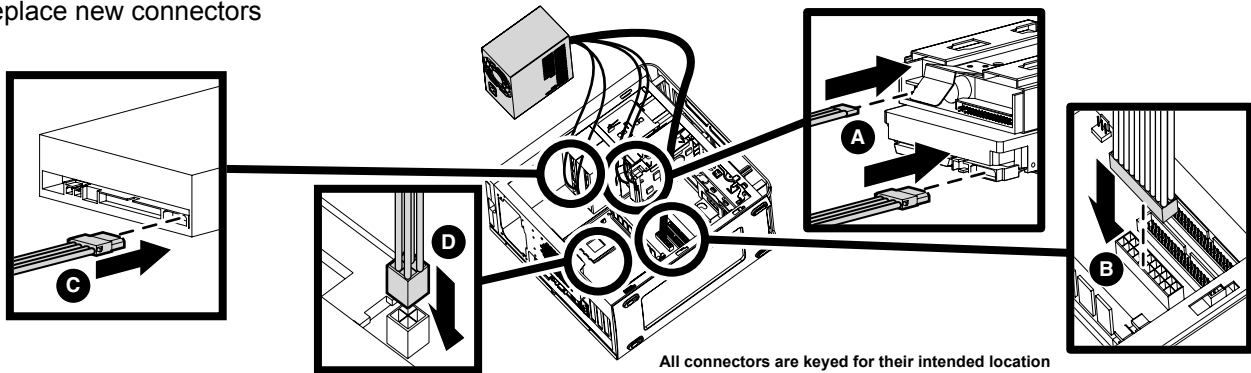
**2** Remove power supply



**3** Remove connectors



**4** Replace new connectors



All connectors are keyed for their intended location and should not require excessive force to plug in.

**5** Replace new power supply

