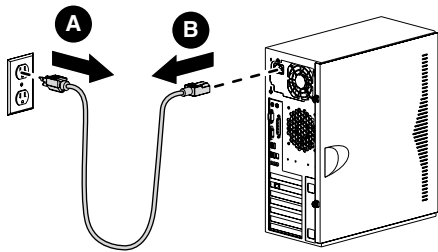




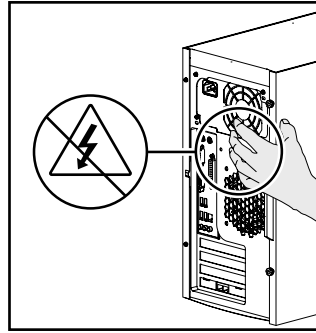
BEFORE YOU BEGIN

1 Unplug the computer

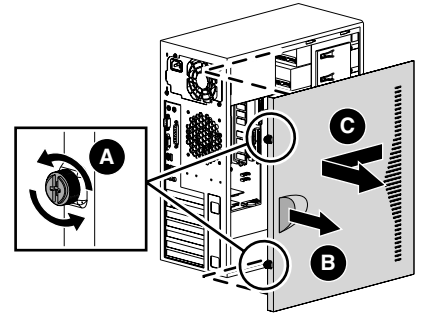


2 Ground yourself

Before doing any work inside your computer, ground yourself by touching a metal part of the computer's frame.

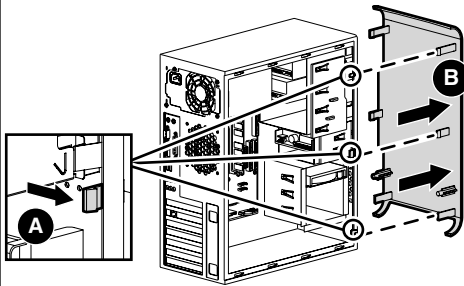


3 Remove side cover

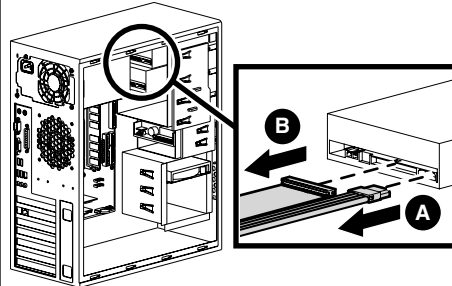


CD/DVD DRIVE

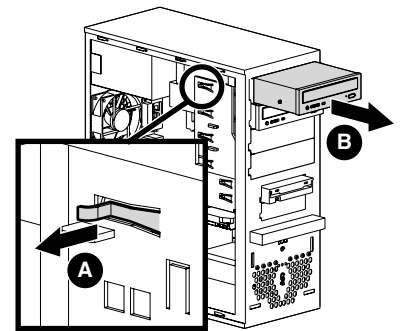
1 Remove front bezel



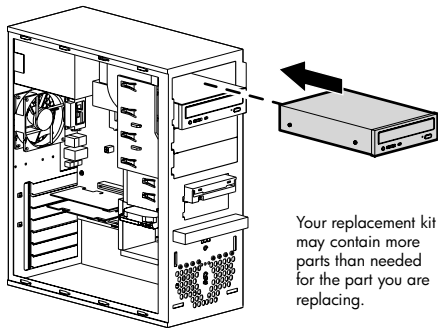
2 Remove connectors



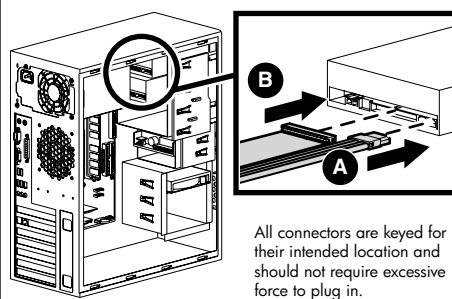
3 Remove part



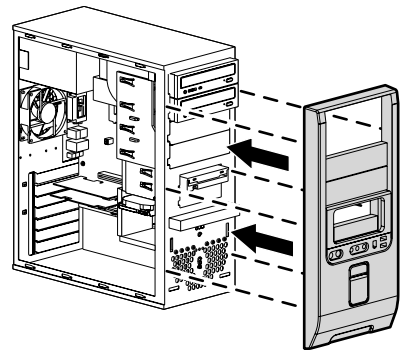
4 Replace part



5 Replace connectors

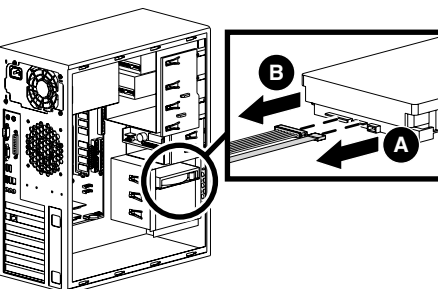


6 Replace front bezel

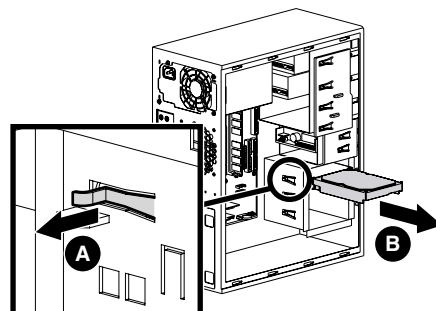


HARD DRIVE

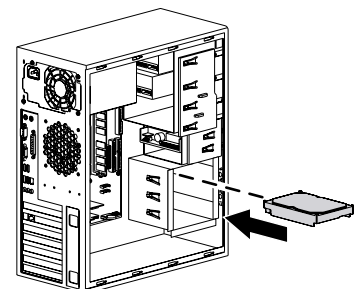
1 Remove connectors



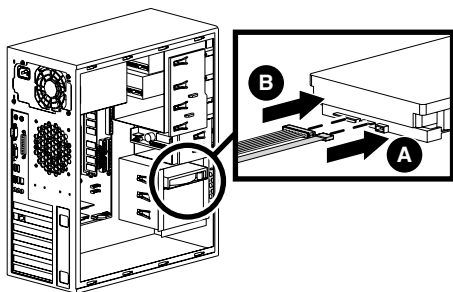
2 Remove part



3 Replace part

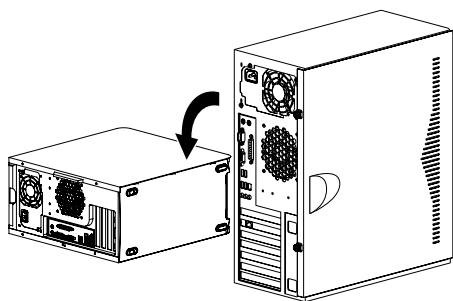


4 Replace connectors

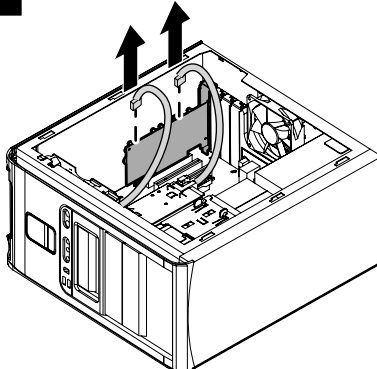


EXPANSION/RAID CARD

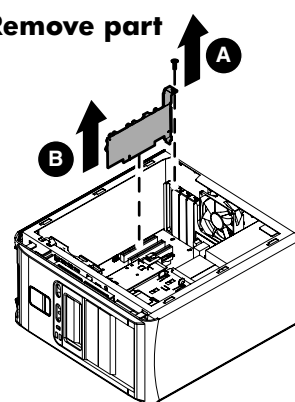
1 Lay down computer



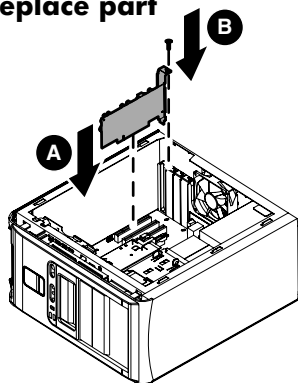
2 Remove connectors



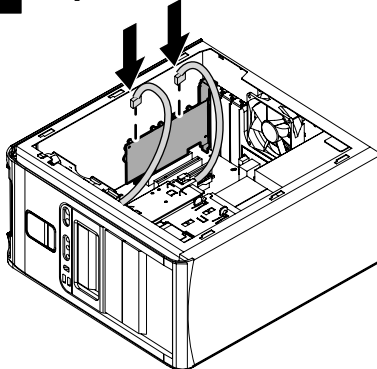
3 Remove part



4 Replace part

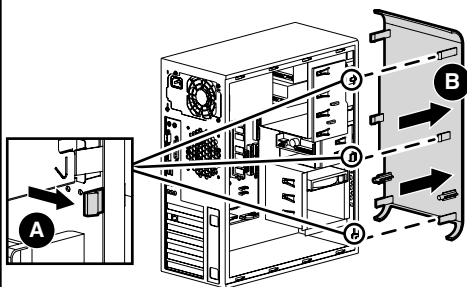


5 Replace connectors

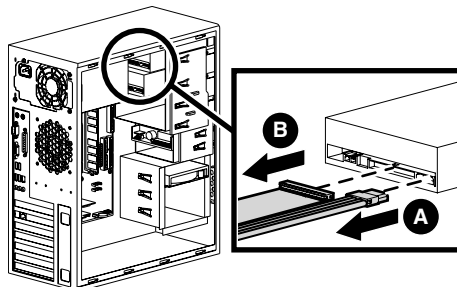


DISKETTE DRIVE

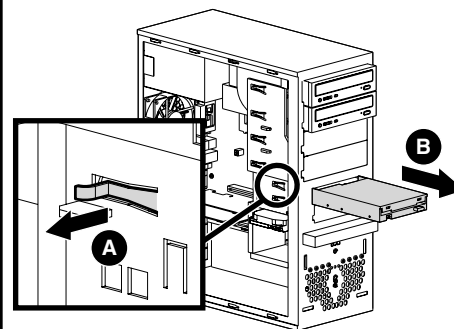
1 Remove front bezel



2 Remove connectors

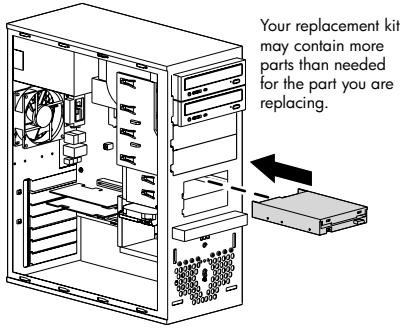


3 Remove part

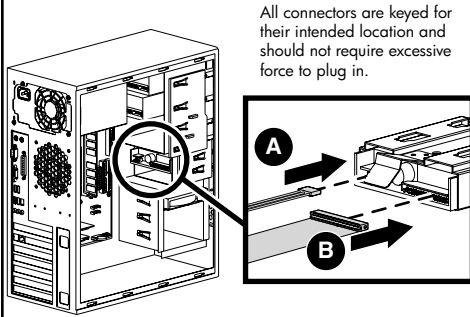




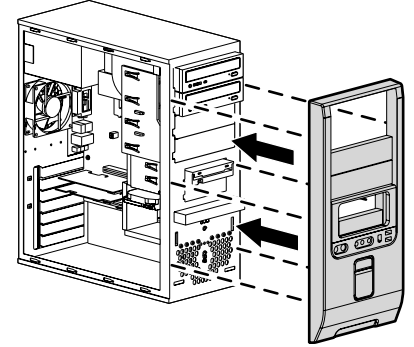
4 Replace part



5 Replace connectors

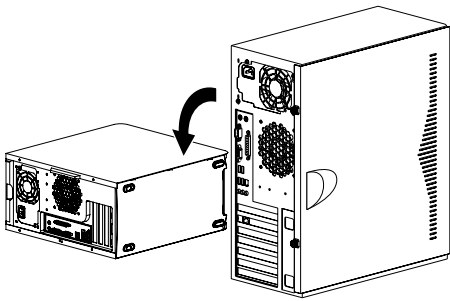


6 Replace front bezel

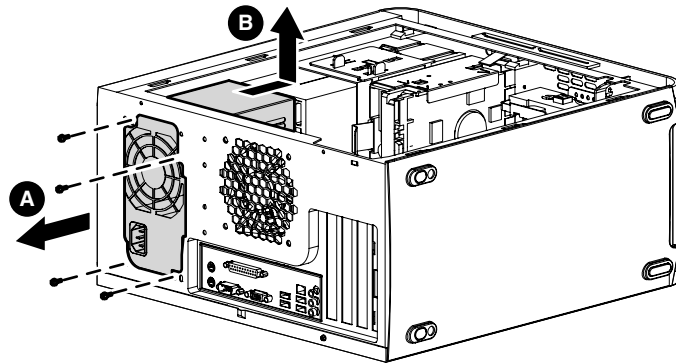


POWER SUPPLY

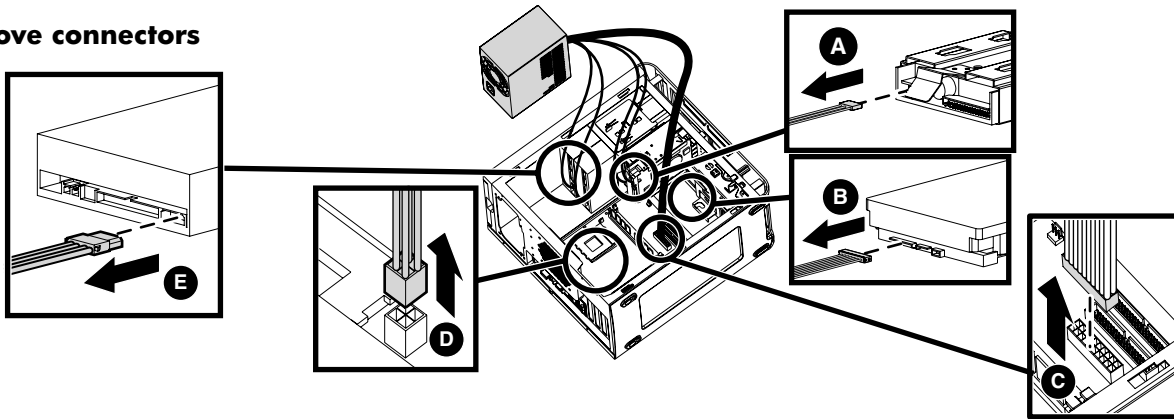
1 Lay down computer



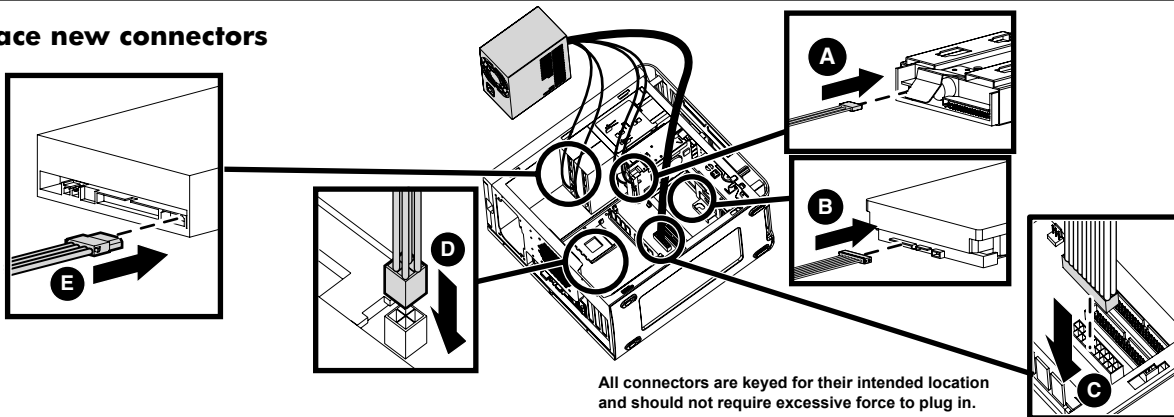
2 Remove power supply



3 Remove connectors



4 Replace new connectors



5 Replace new power supply

