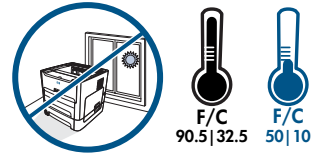
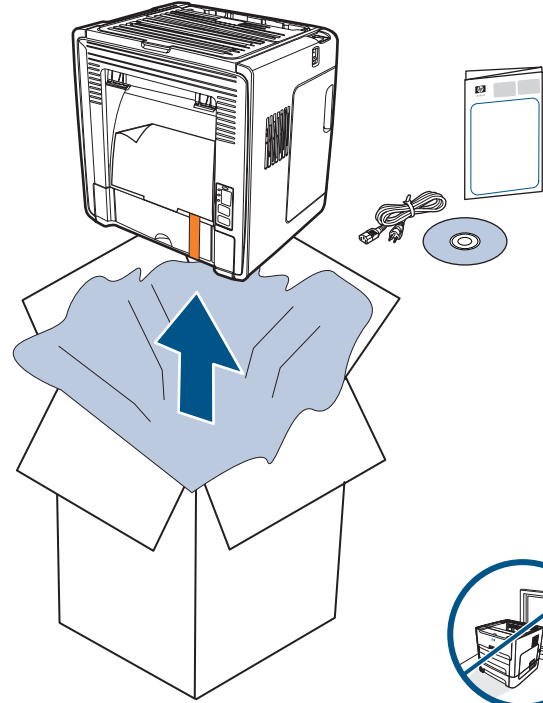




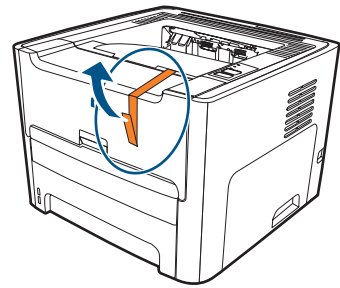
hp LaserJet 1160,
1320, 1320n

Start
Početak
Start
Pomire
Start
Kezdés
Start
Začetak

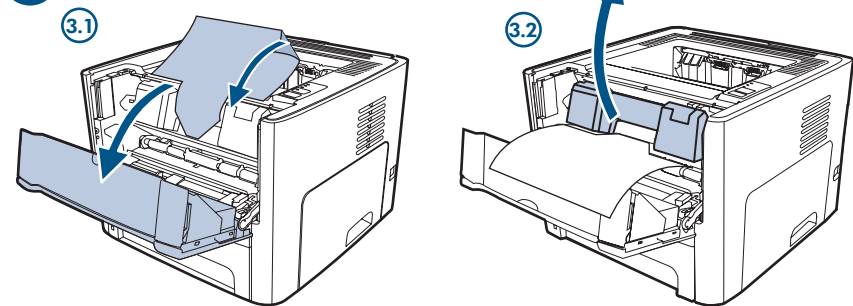
1



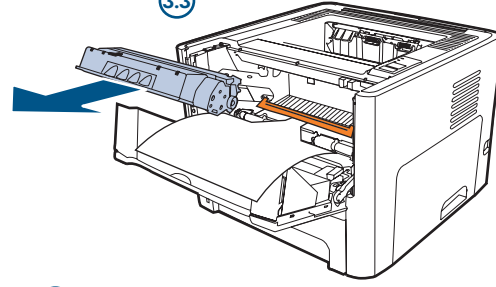
2



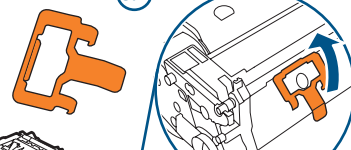
3



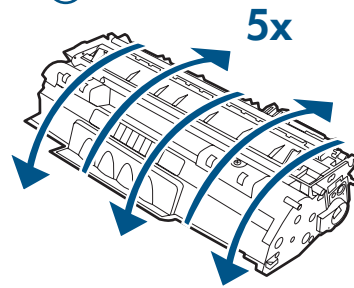
3.3



3.4

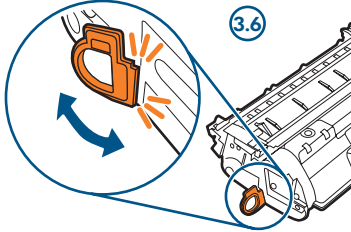


3.5

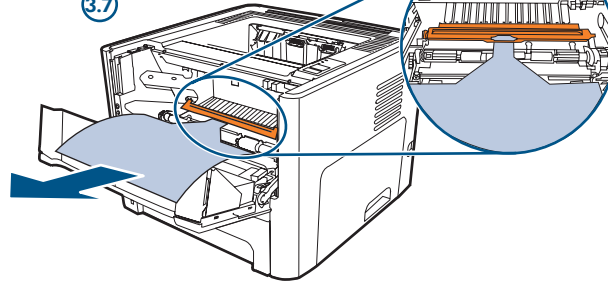


5x

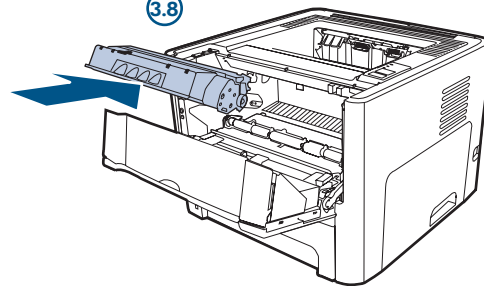
3.6



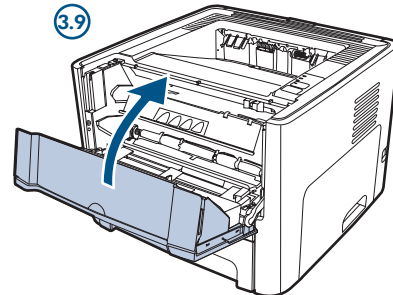
3.7



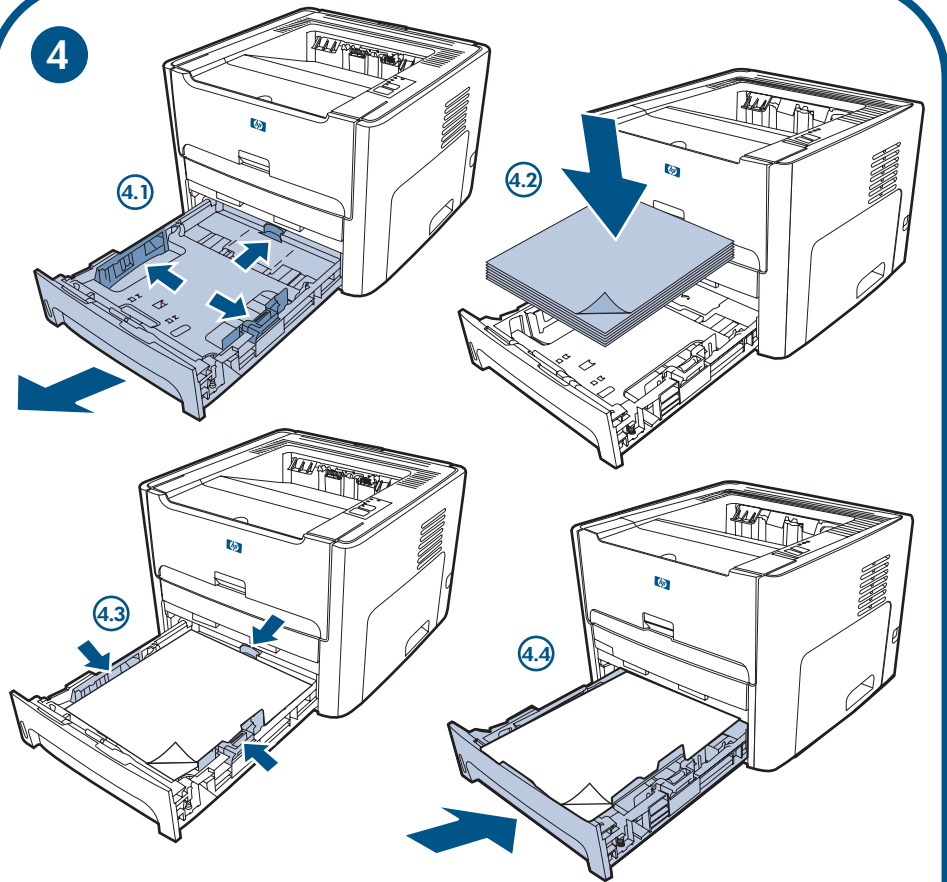
3.8



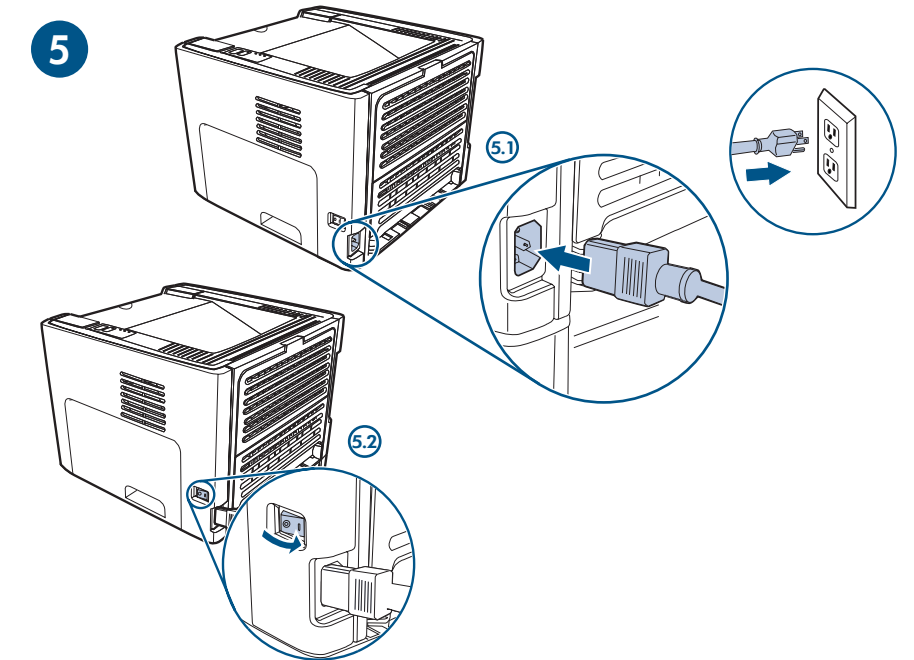
3.9



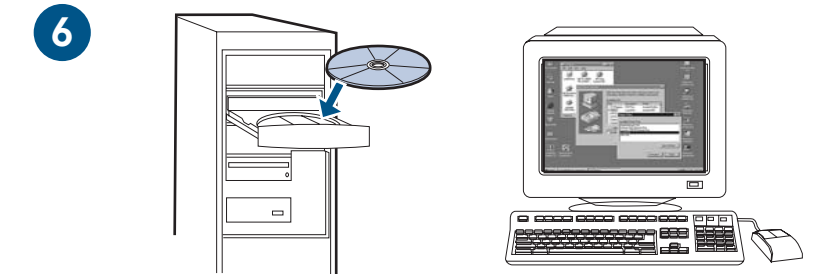
4



5



6



7

Reproduction, adaptation or translation without prior written permission is prohibited, except as allowed under the copyright laws.

The information contained herein is subject to change without notice.

The only warranties for HP products and services are set forth in the express warranty statements accompanying such products and services. Nothing herein should be construed as constituting an additional warranty. HP shall not be liable for technical or editorial errors or omissions contained herein.

Part number: Q5927-90959
Edition 1, 09/2004

FCC Regulations

This equipment has been tested and found to comply with the limits for a Class B digital device, pursuant to Part 15 of the FCC rules. These limits are designed to provide reasonable protection against harmful interference in a residential installation. This equipment generates, uses, and can radiate radio frequency energy. If this equipment is not installed and used in accordance with the instructions, it may cause harmful interference to radio communications. However, there is no guarantee that interference will not occur in a particular installation. If this equipment does cause harmful interference to radio or television reception, which can be determined by turning the equipment off and on, the user is encouraged to try to correct the interference by one or more of the following measures: Reorient or relocate the receiving antenna. Increase separation between equipment and receiver.

Connect equipment to an outlet on a circuit different from that to which the receiver is located.

Consult your dealer or an experienced radio/TV technician.

Any changes or modifications to the printer that are not expressly approved by HP could void the user's authority to operate this equipment.

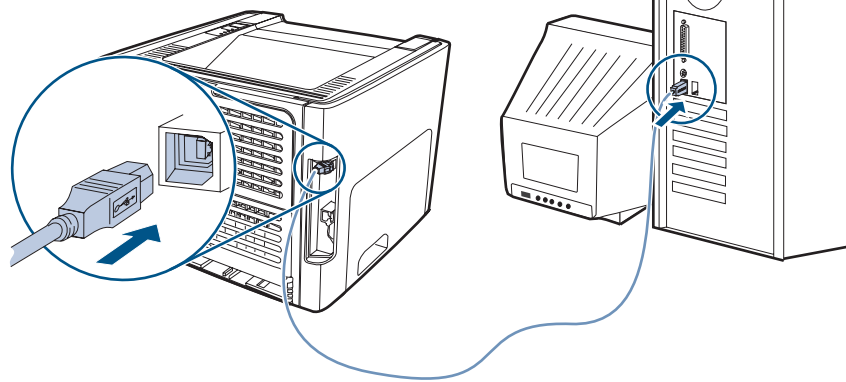
Use of a shielded interface cable is required to comply with the Class B limits of Part 15 of FCC rules.



7

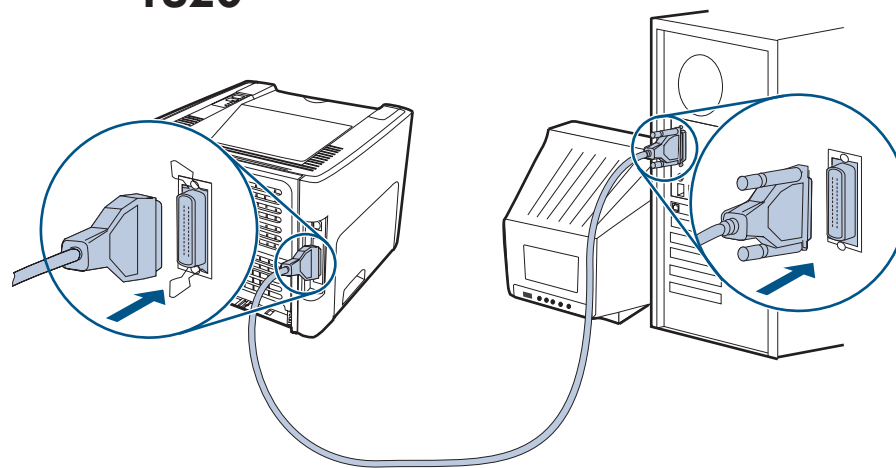
1160
1320
1320n

USB

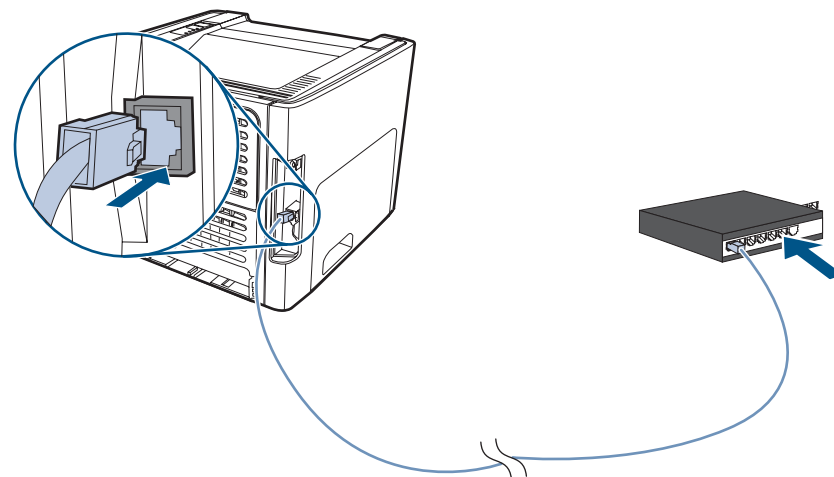


1160
1320

IEEE-1284-B



1320n Ethernet (RJ-45)



English

Additional information

See the electronic User Guide on the CD-ROM that came with the printer for more information on the following topics:

- Troubleshooting information
- Important safety notices and regulatory information
- Detailed user instructions

This information is also available at <http://www.hp.com/support/lj1160> or <http://www.hp.com/support/lj1320>

Hrvatski

Dodatne informacije

U elektroničkom priručniku na CD ROM-u priloženom uz pisač možete pronaći dodatne informacije o sljedećem:

- informacije za rješavanje problema
- važne sigurnosne napomene i regulativne informacije
- detaljne upute za korisnika

Te su informacije također dostupne na adresi <http://www.hp.com/support/lj1160> ili <http://www.hp.com/support/lj1320>.

Polski

Dodatkowe informacje

W elektronicznym Podręczniku użytkownika zamieszczonym na dysku CD-ROM dostarczonym wraz z drukarką podano więcej informacji dotyczących następujących zagadnień:

- Informacje dotyczące rozwiązywania problemów
- Ważne uwagi dotyczące bezpieczeństwa i informacje dotyczące przepisów prawnych
- Szczegółowe instrukcje przeznaczone dla użytkowników

Powyższe informacje są również dostępne w witrynie sieci Web <http://www.hp.com/support/lj1160> lub <http://www.hp.com/support/lj1320>

Română

Informații suplimentare

Consultați manualul electronic Ghidul utilizatorului de pe CD-ul care însoțește imprimanta, pentru a afla mai multe informații despre următoarele subiecte:

- Informații de depanare
- Note importante despre lucrul în siguranță și informații de reglementare
- Instrucțiuni detaliate de utilizare

Acese informații sunt disponibile, de asemenea, la <http://www.hp.com/support/lj1160> sau <http://www.hp.com/support/lj1320>

Česky

Dodatečné informace

Další informace o následujících tématech naleznete v elektronické uživatelské příručce na disku CD-ROM dodávaném s tiskárnou.

- Informace o řešení potíží
- Důležité bezpečnostní pokyny a informace o směrnících a předpisech
- Podrobné pokyny pro uživatele

Tyto informace jsou rovněž k dispozici na adrese <http://www.hp.com/support/lj1160> nebo <http://www.hp.com/support/lj1320>

Magyar

További tudnivalók

A nyomtatóhoz mellékelte CD-ROM-on lévő elektronikus felhasználói kézikönyvben további információ található a következő témakörökben:

- Hibaelhárítás
- Fontos biztonsági tudnivalók és előírások
- Részletes kezelési utasítások

Ezek az információk a <http://www.hp.com/support/lj1160> és a <http://www.hp.com/support/lj1320> címen is elérhetők.

Slovenščina

Đalše informacije

V elektroničkej uporabniški priručki na disku CD-ROM priloženom k tlačilnici najdete več informacij o naslednjih témah:

- Odstranjevanje problemov
- Dôležité varnostne opozorenja a regulacijske informacije
- Detaljne uporabniške instrukcije

Tieto informacije su tiež k dispoziciji na adresi <http://www.hp.com/support/lj1160> alebo <http://www.hp.com/support/lj1320>

Slovenščina

Dodatne informacije

V elektronskem uporabniškem priručniku na CD-ROM-u, ki ste ga dobili s tiskalnikom, lahko preberete več o teh temah:

- informacije za odpravljanje težav
- pomembna varnostna obvestila in upravne informacije
- podrobna navodila za uporabnike

Te informacije so na voljo tudi na naslovu <http://www.hp.com/support/lj1160> ali <http://www.hp.com/support/lj1320>