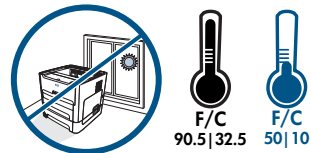
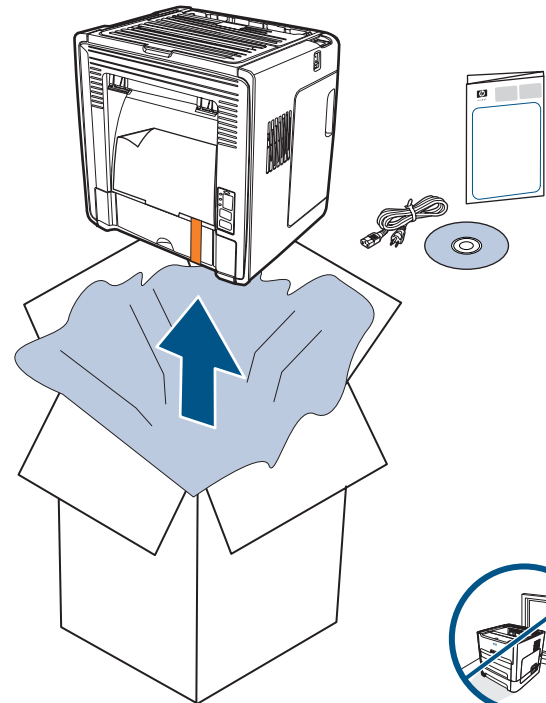




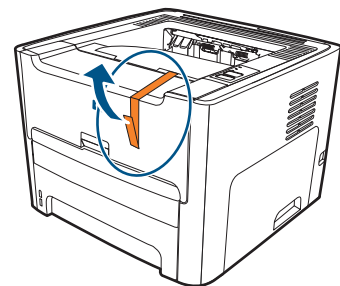
hp LaserJet 1160,
1320, 1320n

start
入门手册
memulai
시작
เริ่มต้น
入門
Khởi động

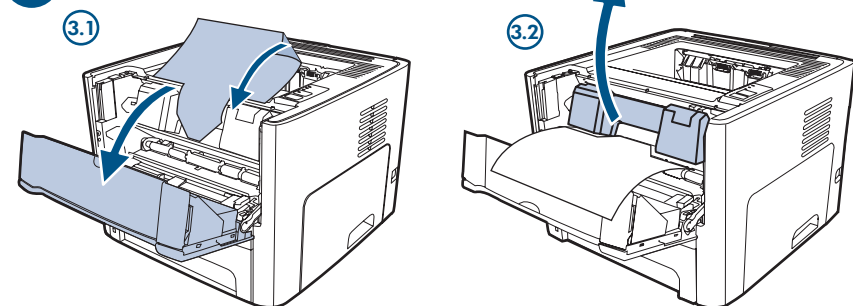
1



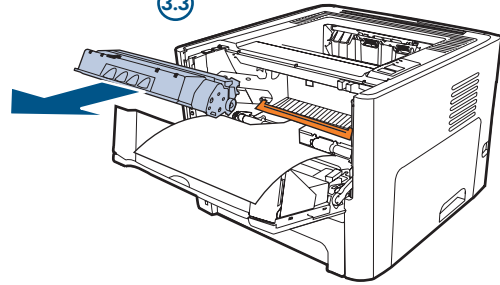
2



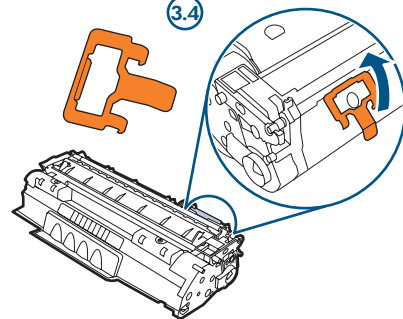
3



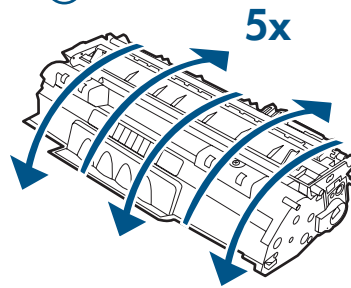
3.3



3.4

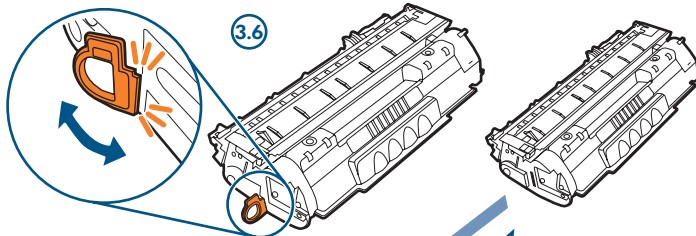


3.5

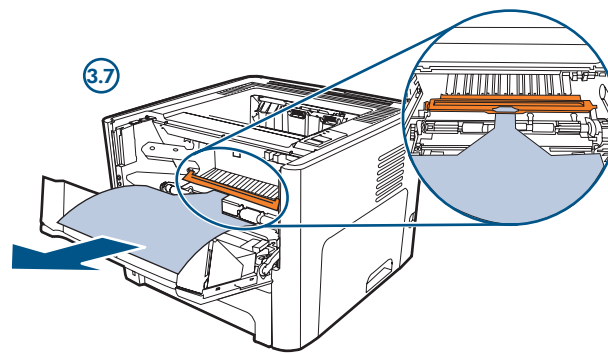


5x

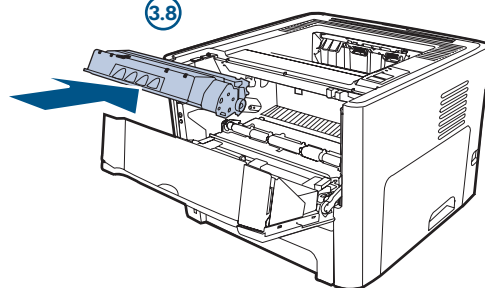
3.6



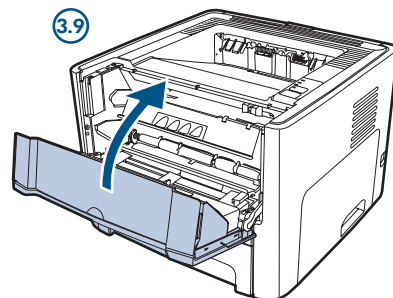
3.7



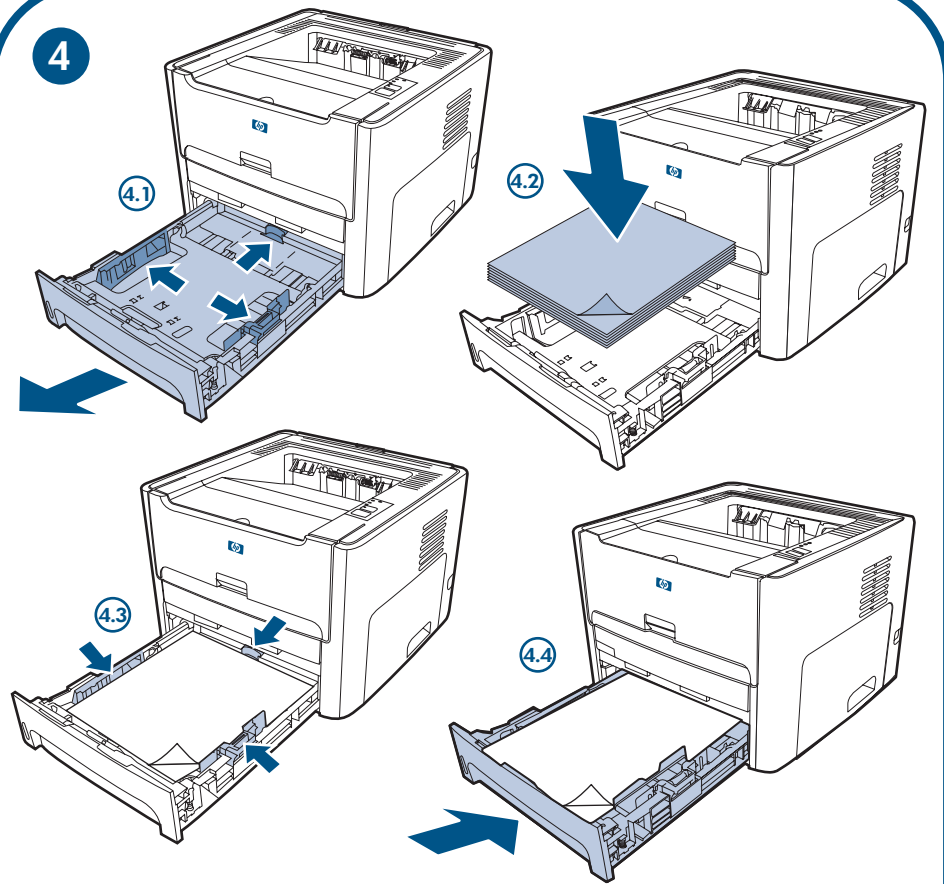
3.8



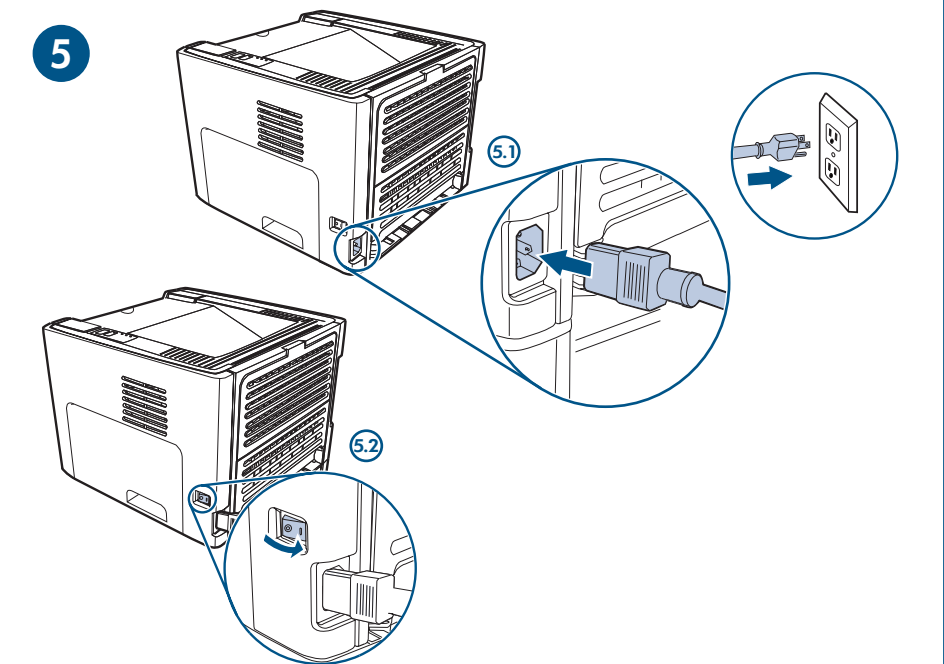
3.9



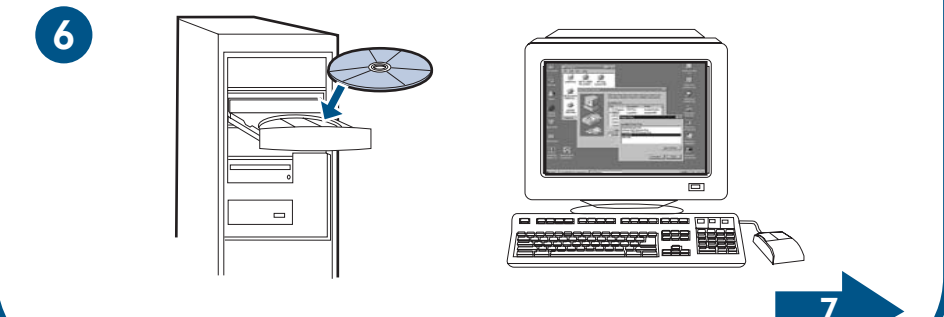
4



5



6



7

Reproduction, adaptation or translation without prior written permission is prohibited, except as allowed under the copyright laws.

The information contained herein is subject to change without notice.

The only warranties for HP products and services are set forth in the express warranty statements accompanying such products and services. Nothing herein should be construed as constituting an additional warranty. HP shall not be liable for technical or editorial errors or omissions contained herein.

Part number: Q5927-90962
Edition 1, 09/2004

FCC Regulations

This equipment has been tested and found to comply with the limits for a Class B digital device, pursuant to Part 15 of the FCC rules. These limits are designed to provide reasonable protection against harmful interference in a residential installation. This equipment generates, uses, and can radiate radio frequency energy. If this equipment is not installed and used in accordance with the instructions, it may cause harmful interference to radio communications. However, there is no guarantee that interference will not occur in a particular installation. If this equipment does cause harmful interference to radio or television reception, which can be determined by turning the equipment off and on, the user is encouraged to try to correct the interference by one or more of the following measures: Reorient or relocate the receiving antenna. Increase separation between equipment and receiver.

Connect equipment to an outlet on a circuit different from that to which the receiver is located.

Consult your dealer or an experienced radio/TV technician.

Any changes or modifications to the printer that are not expressly approved by HP could void the user's authority to operate this equipment.

Use of a shielded interface cable is required to comply with the Class B limits of Part 15 of FCC rules.

版权和许可证

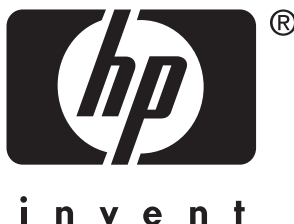
© 2004 Copyright Hewlett-Packard Development Company, L.P.

未经事先书面许可，严禁进行任何形式的复制、改编或翻译，除非版权法另有规定。

此处包含的信息如有更改，恕不另行通知。

HP 产品和服务的所有保修事项已在产品和服务所附带的保修声明中列出，此处内容不代表任何额外保修。HP 公司对此处任何技术性或非编辑性的错误或遗漏概不负责。

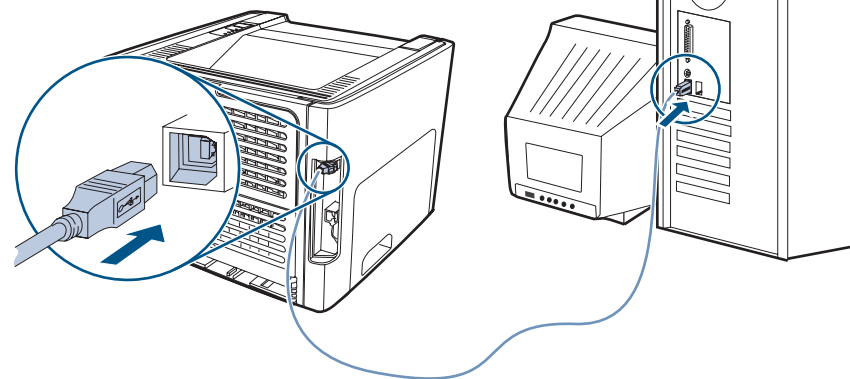
产品号: Q5927-90962
Edition 1, 9/2004



7

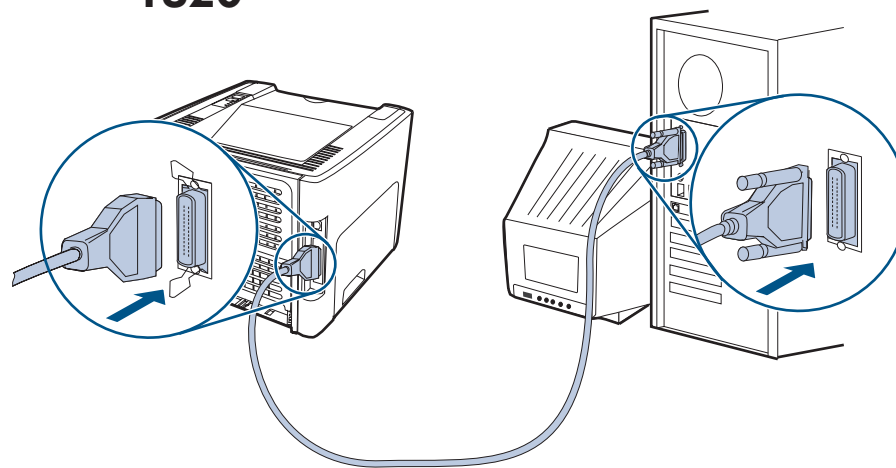
1160
1320
1320n

USB

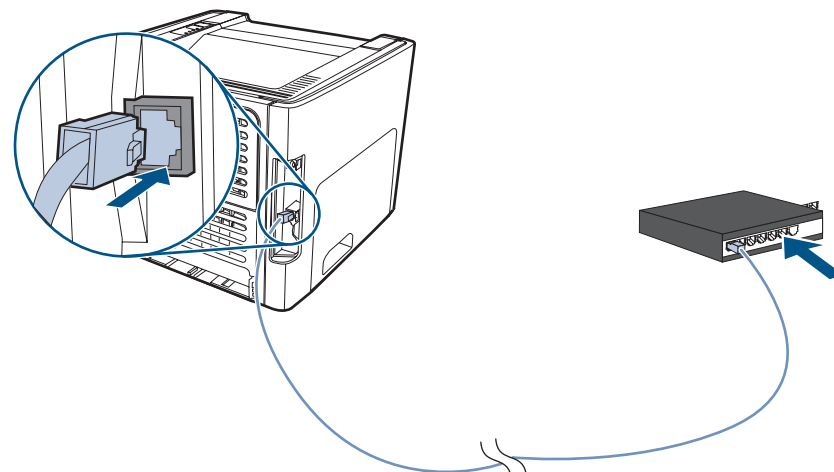


1160
1320

IEEE-1284-B



1320n EtherNet (RJ-45)



English

Additional information

See the electronic User Guide on the CD-ROM that came with the printer for more information on the following topics:

- Troubleshooting information
- Important safety notices and regulatory information
- Detailed user instructions

This information is also available at <http://www.hp.com/support/lj1160> or <http://www.hp.com/support/lj1320>

简体中文

补充信息

要了解有关以下主题的详细信息，请查看打印机附带的 CD-ROM 上的电子版用户指南：

- 故障排除信息
- 重要的安全通知和规章条例信息
- 详细的用户操作步骤

这些信息也可从以下网站获得：<http://www.hp.com/support/lj1160> 或 <http://www.hp.com/support/lj1320>

BAHASA INDONESIA

Informasi tambahan

Untuk informasi lebih lanjut mengenai topik-topik berikut, lihat Buku Pedoman versi elektronik pada CD-ROM yang disertakan bersama printer:

- Informasi tentang identifikasi masalah
- Pemberitahuan penting mengenai keselamatan dan informasi mengenai peraturan
- Petunjuk lengkap untuk pengguna

Informasi ini juga tersedia di <http://www.hp.com/support/lj1160> atau <http://www.hp.com/support/lj1320>

한국어

추가 정보

다음 항목에 대한 자세한 내용은 프린터와 함께 제공된 CD-ROM에 들어 있는 온라인 사용 설명서를 참조하십시오.

- 문제 해결 정보
- 중요 안전 사항 및 형식 승인 정보
- 자세한 사용 지침

이 설명서는 <http://www.hp.com/support/lj1160> 또는 <http://www.hp.com/support/lj1320>에서 다운로드할 수도 있습니다.

ภาษาไทย

ข้อมูลเพิ่มเติม

โปรดอ่านคู่มือผู้ใช้แบบอิเล็กทรอนิกส์ทาง CD-ROM ที่มาพร้อมกับเครื่องพิมพ์เพื่อดู

ข้อมูลเพิ่มเติมเกี่ยวกับหัวข้อต่อไปนี้:

- ข้อมูลการแก้ไขปัญหา
- ข้อมูลสำคัญเกี่ยวกับความปลอดภัยและข้อบังคับ
- คำแนะนำโดยละเอียดสำหรับผู้ใช้

นอกจากนี้ ข้อมูลดังกล่าวยังมีอยู่ที่ <http://www.hp.com/support/lj1160> หรือ <http://www.hp.com/support/lj1320>

繁體中文

其他資訊

請參閱隨附於印表機 CD-ROM 上的電子版《使用指南》，以獲取關於下列主題的更多資訊：

- 疑難排解資訊
- 重要安全通知及法規資訊
- 詳細使用者說明

此資訊亦可從 <http://www.hp.com/support/lj1160> 或 <http://www.hp.com/support/lj1320> 獲得

Tiếng Việt

Thông tin bổ sung

Xem tài liệu Hướng Dẫn Sử Dụng (User Guide) (chỉ có bằng tiếng Anh) trên đĩa CD-ROM đi kèm với máy in để biết thêm thông tin về các chủ đề sau đây:

- Khắc phục sự cố
- Quy chế pháp lý và các cảnh báo quan trọng về vấn đề an toàn

· Hướng dẫn chi tiết về cách sử dụng

Quý vị cũng có thể xem thông tin này tại trang web:

<http://www.hp.com/support/lj1160> hoặc <http://www.hp.com/support/lj1320>.



Q5927-90962