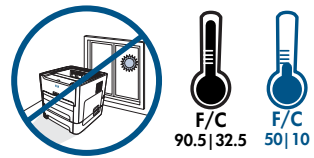
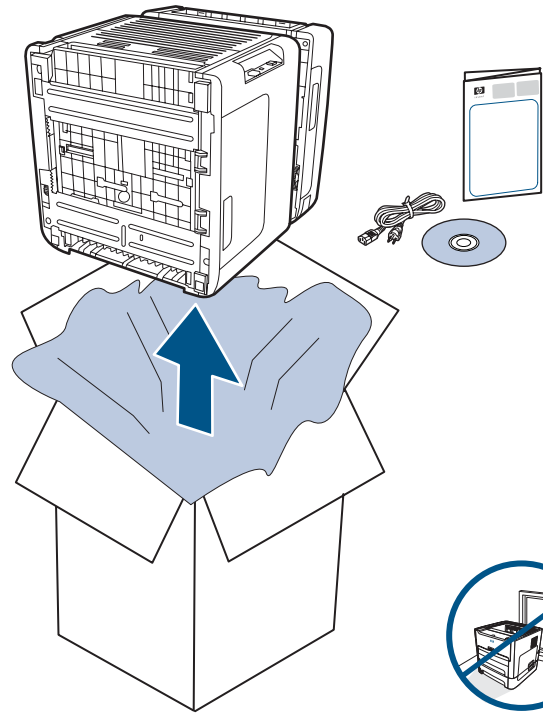




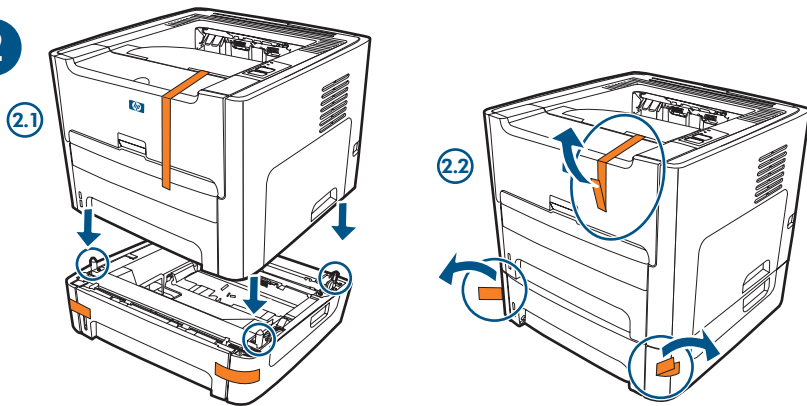
hp LaserJet 1320tn

Start
Sākums
Pradėjinas
Innföring
Start
Alustamine
Aloitus
Inledning

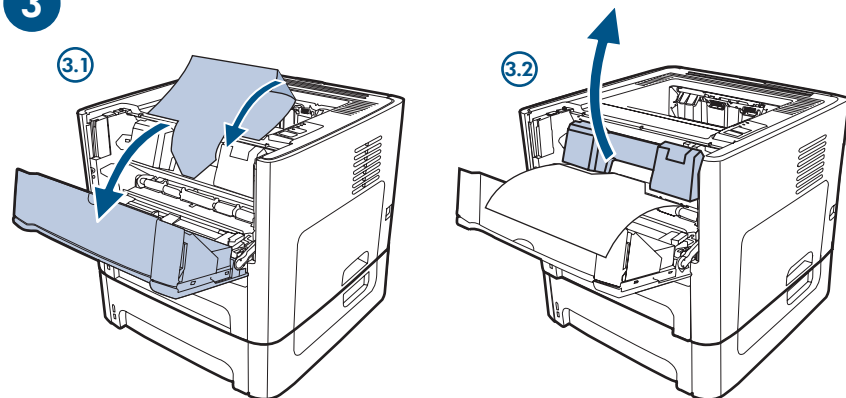
1



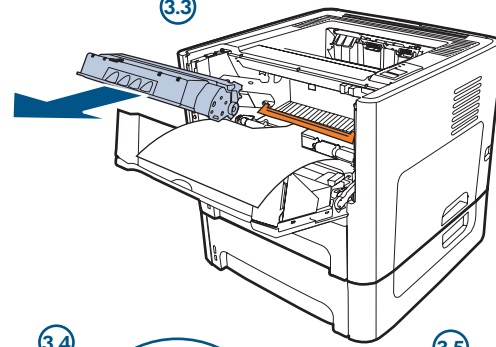
2



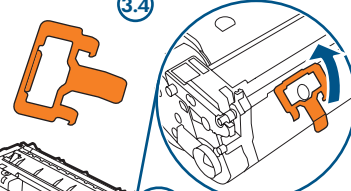
3



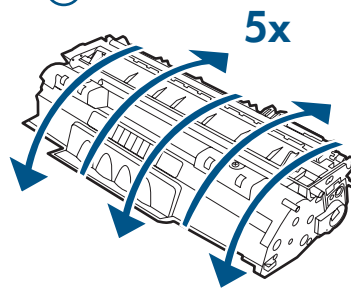
3.3



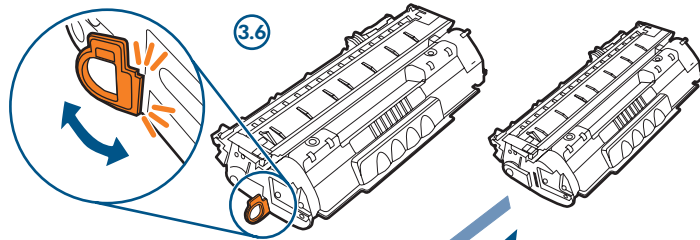
3.4



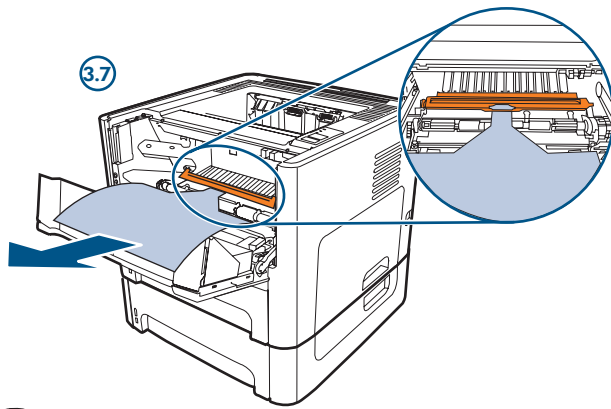
3.5



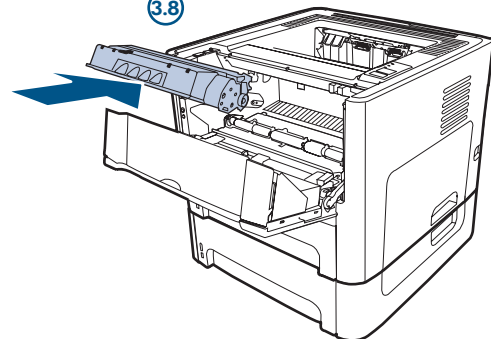
3.6



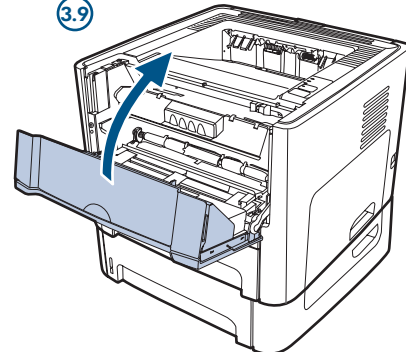
3.7



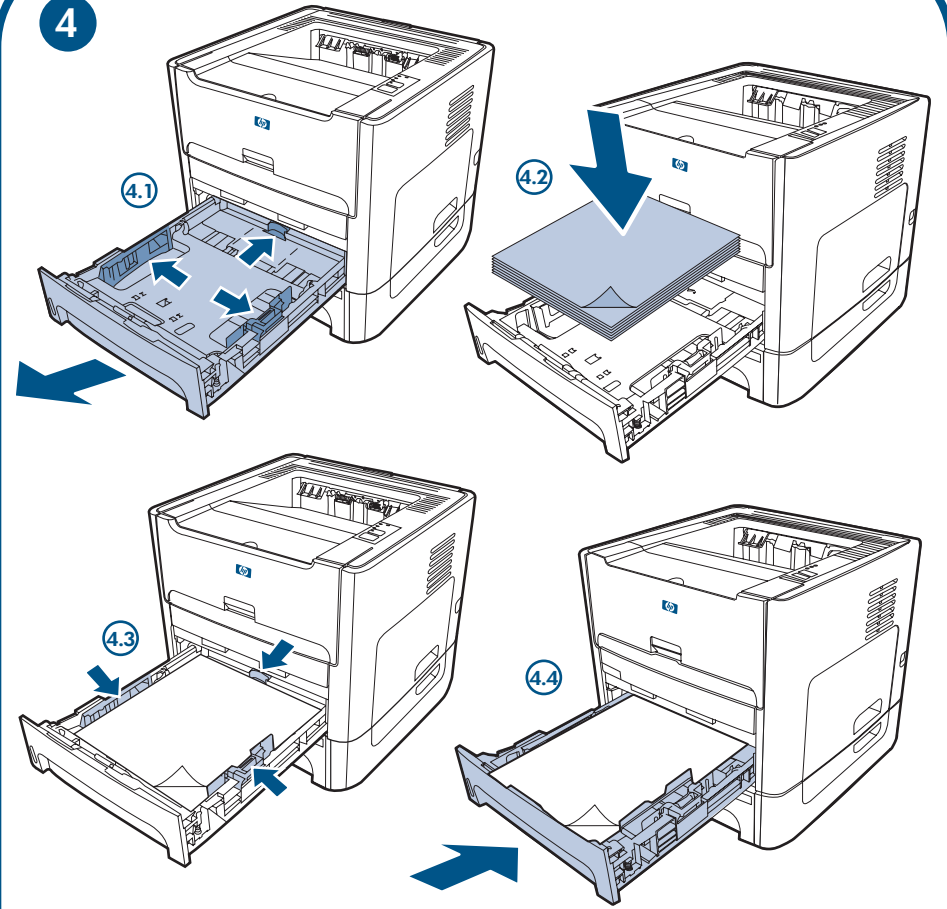
3.8



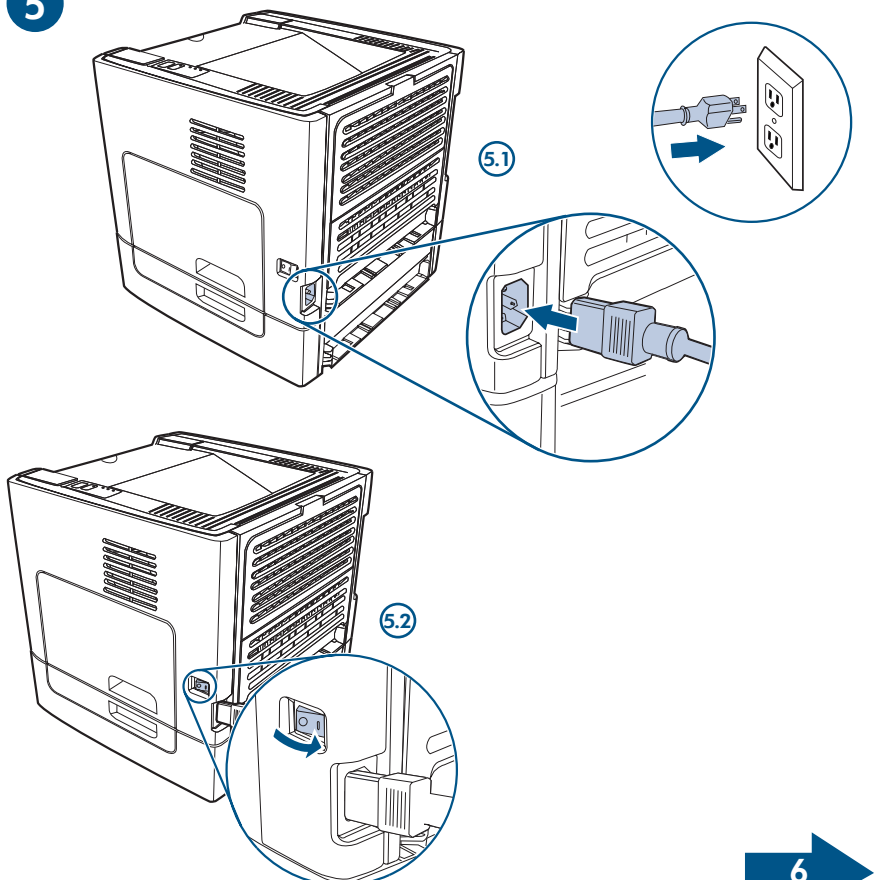
3.9



4



5



6

Reproduction, adaptation or translation without prior written permission is prohibited, except as allowed under the copyright laws.

The information contained herein is subject to change without notice.

The only warranties for HP products and services are set forth in the express warranty statements accompanying such products and services. Nothing herein should be construed as constituting an additional warranty. HP shall not be liable for technical or editorial errors or omissions contained herein.
Part number: Q5930-90921
Edition 1, 09/04

FCC Regulations

This equipment has been tested and found to comply with the limits for a Class B digital device, pursuant to Part 15 of the FCC rules. These limits are designed to provide reasonable protection against harmful interference in a residential installation. This equipment generates, uses, and can radiate radio frequency energy. If this equipment is not installed and used in accordance with the instructions, it may cause harmful interference to radio communications. However, there is no guarantee that interference will not occur in a particular installation. If this equipment does cause harmful interference to radio or television reception, which can be determined by turning the equipment off and on, the user is encouraged to try to correct the interference by one or more of the following measures: Reorient or relocate the receiving antenna. Increase separation between equipment and receiver.

Connect equipment to an outlet on a circuit different from that to which the receiver is located.

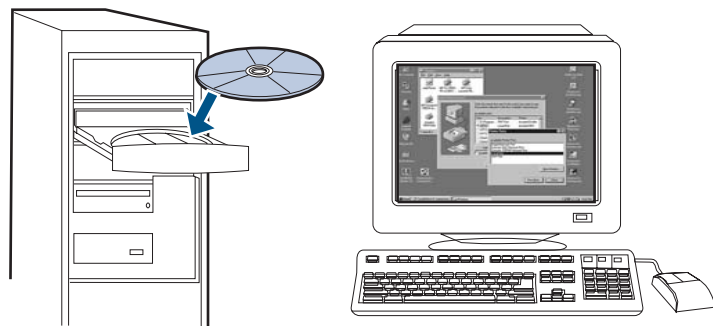
Consult your dealer or an experienced radio/TV technician.

Any changes or modifications to the printer that are not expressly approved by HP could void the user's authority to operate this equipment.

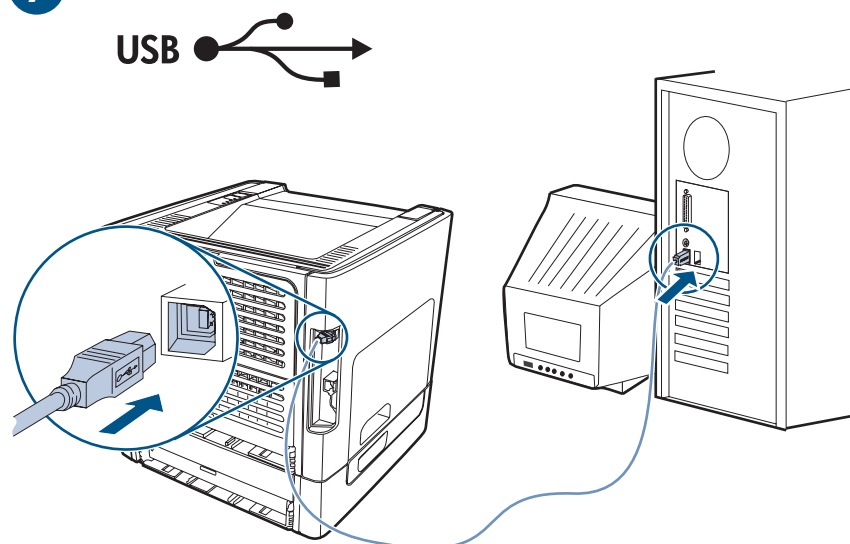
Use of a shielded interface cable is required to comply with the Class B limits of Part 15 of FCC rules.



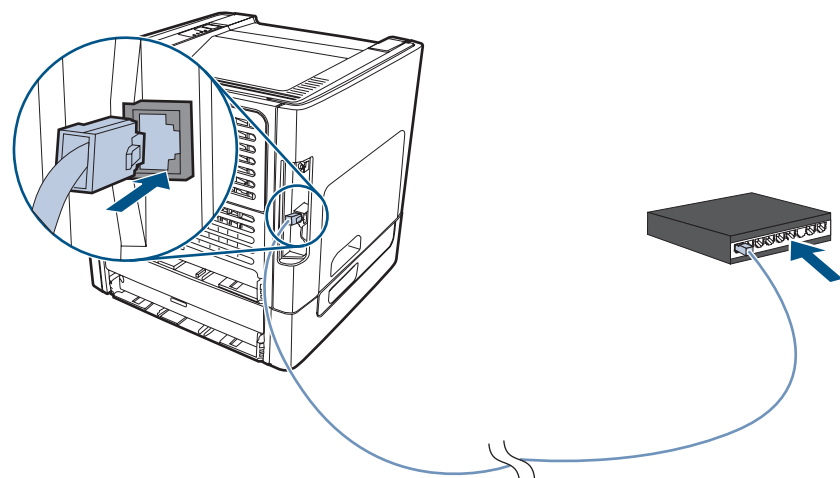
6



7



EtherNet (RJ-45)



English

Additional information

See the electronic User Guide on the CD-ROM that came with the printer for more information on the following topics:
· Troubleshooting information
· Important safety notices and regulatory information
· Detailed user instructions
This information is also available at <http://www.hp.com/support/lj1320>

Latviski

Papildinformācija

Skatiet elektronisko lietotāja rokasgrāmatu printera komplektācijā ietilpstošajā kompaktdiskā, lai iegūtu plašāku informāciju par šādām tēmām:
· informācija par problēmu novēršanu;
· svarīgi paziņojumi par drošību un noteikumi;
· detalizēta lietotāja palīdzība.
Šī informācija ir pieejama arī internetā: <http://www.hp.com/support/lj1320>

Lietuviškai

Papildoma informacija

Daugiau informacijos ieškokite prie spausdintuvo pridėtame kompaktiniame diske su elektroniniu Vartotojo vadovu. Žemiau pateiktų temų informacija:
· Informacija apie trikdžių šalinimą
· Svarbios pastabos apie saugą ir reglamentinę informaciją
· Išsamūs paaiškinimai vartotojui
Šios informacijos taip pat ieškokite <http://www.hp.com/support/lj1320>

Norsk

Tilleggsinformasjon

Se den elektroniske brukerveiledningen på Cd-rom-en som fulgte med skriveren for mer informasjon om følgende emner:
· Informasjon om feilfinning
· Viktige sikkerhetsadvarsler og informasjon som er påkrevet i regelverk
· Detaljerte bruksanvisninger
Denne informasjonen kan også finnes på <http://www.hp.com/support/lj1320>

Dansk

Yderligere oplysninger

Se i den elektroniske brugervejledning på den cd-rom, der fulgte med printerens, efter flere oplysninger om følgende emner:
· Fejlfindingsoplysninger
· Vigtige bemærkninger om sikkerhed og juridiske oplysninger
· Detaljerede brugerinstruktioner
Disse oplysninger findes også på adressen <http://www.hp.com/support/lj1320>

Eesti

Lisateave

Printeriga kaasas olnud CD-ROM-il leiduvast elektroonilisest kasutusjuhendist ("User Guide") leiate lisateave järgmistele teemadele:
· tõrkeotsing;
· olulised turvahoiatused ja seadusandlik teave;
· üksikasjalikud kasutusjuhised.
Selle teabe leiate ka veebisaidilt <http://www.hp.com/support/lj1320>

Suomi

Lisätiedot

Katso seuraavia aiheita koskevat lisätiedot tulostimen mukana toimitetun CD-ROM-levyn sähköisestä käyttöoppaasta:
· Vianmääritystiedot
· Tärkeitä turvallisuusilmoituksia ja tietojen säädöksistä
· Yksityiskohtaiset käyttöohjeet
Kyseiset tiedot on saatavissa myös osoitteesta <http://www.hp.com/support/lj1320>

Svenska

Ytterligare information

Se den elektroniska användarhandboken på cd-romskivan som levererades med skrivaren för mer information om följande ämnen:
· information om felsökning
· viktig säkerhetsinformation och föreskrifter
· detaljerade användarinstruktioner
Denna information finns också tillgänglig på <http://www.hp.com/support/lj1320>