

HP Photosmart 7400 series Reference Guide

English



Copyright information

© Copyright 2004 Hewlett-Packard Development Company, L.P.

The information contained herein is subject to change without notice. Reproduction, adaptation, or translation without prior written permission is prohibited, except as allowed under the copyright laws.

Notice

The only warranties for HP products and services are set forth in the express warranty statements accompanying such products and services. Nothing herein should be construed as constituting an additional warranty. HP shall not be liable for technical or editorial errors or omissions contained herein.

The Hewlett-Packard Company shall not be liable for incidental or consequential damages in connection with, or arising out of the furnishing, performance, or use of this document and the program material which it describes.

Trademarks

HP, the HP logo, and Photosmart are property of Hewlett-Packard Development Company, L.P.

The Secure Digital logo is a trademark of the SD Association.

Microsoft and Windows are registered trademarks of Microsoft Corporation.

CompactFlash, CF, and the CF logo are trademarks of the CompactFlash Association (CFA).

Memory Stick, Memory Stick Duo, Memory Stick PRO, and Memory Stick PRO Duo are trademarks or registered trademarks of Sony Corporation.

MultiMediaCard is a trademark of Infineon Technologies AG of Germany, and is licensed to the MMCA (MultiMediaCard Association).

Microdrive is a trademark of Hitachi Global Storage Technologies.

SmartMedia is a trademark of Toshiba Corporation.

xD-Picture Card is a trademark of Fuji Photo Film Co., Ltd., Toshiba Corporation, and Olympus Optical Co., Ltd.

Mac, the Mac logo, and Macintosh are registered trademarks of Apple Computer, Inc.

Other brands and their products are trademarks or registered trademarks of their respective holders.

The embedded software in the printer is based in part on the work of the Independent JPEG Group.

The copyrights to certain photos within this document are retained by the original owners.

Regulatory model identification number SDGOA-0401

For regulatory identification purposes, your product is assigned a Regulatory Model Number. The Regulatory Model Number for your product is SDGOA-0401. This regulatory number should not be confused with the marketing name (HP Photosmart 7400 series printer) or product number (Q3409A).

Safety information

Always follow basic safety precautions when using this product to reduce risk of injury from fire or electric shock.



Warning To prevent fire or shock hazard, do not expose this product to rain or any type of moisture.

- Read and understand all instructions in the *HP Photosmart 7400 series Setup Guide*.
- Use only a grounded electrical outlet when connecting the unit to a power source. If you do not know whether the outlet is grounded, check with a qualified electrician.
- Observe all warnings and instructions marked on the product.
- Unplug this product from wall outlets before cleaning.
- Do not install or use this product near water or when you are wet.
- Install the product securely on a stable surface.
- Install the product in a protected location where no one can step on or trip over the power cord, and where the power cord will not be damaged.
- If the product does not operate normally, see the

troubleshooting information in the onscreen HP Photosmart Printer Help.

- There are no operator serviceable parts inside. Refer servicing to qualified service personnel.
- Use in a well-ventilated area.

Contents

1	Welcome	2
	Find more information.....	2
	What's in the box.....	2
	Printer parts.....	3
	Paper information.....	5
	Print cartridge information.....	7
	Using memory cards.....	10
	Supported file formats.....	10
	Inserting memory cards.....	11
	Viewing photos on your computer screen.....	11
2	Printing with your new printer	13
	Printing without a computer.....	13
	Quick start.....	13
	Selecting photos to print.....	15
	Printing your photos.....	16
	Getting connected.....	16
	Connecting to a computer.....	16
	Saving your photos to a computer.....	17
	Connecting to other people through HP Instant Share.....	17
	Printing from a computer.....	17
	To update the printer software.....	19
3	Installing the software	20
4	Support and warranty	22
	HP Customer Care.....	22
	Limited warranty statement.....	24
5	Specifications	25
	System requirements.....	25
	Printer specifications.....	25
	Environmental statements.....	28
	Protecting the environment.....	28
	Ozone production.....	28
	Energy consumption.....	28
	Paper use.....	28
	Plastics.....	28
	Material safety data sheets.....	29
	Recycling program.....	29

1 Welcome

Thank you for purchasing an HP Photosmart 7400 series printer! With your new photo printer you can print beautiful photos and save photos to your computer.

This guide primarily explains how to print without connecting a computer. To learn how to print from your computer, install the printer software and view the onscreen Help. For an overview of using a computer and the printer together, see [Printing from a computer](#).

Find more information

Your new printer comes with the following documentation:

- **Setup Guide**— The *HP Photosmart 7400 series Setup Guide* contains quick and easy instructions to help you set up the printer.
- **User's Guide** — The *HP Photosmart 7400 series User's Guide* describes the basic features of the printer, explains how to use the printer without connecting a computer, and contains hardware troubleshooting information. This guide is available in online format on the *User's Guide* CD.
- **Reference Guide**— The *HP Photosmart 7400 series Reference Guide* is the book you are reading. It provides basic information about the printer, including setup and operation, technical support and warranty. For detailed instructions, see the *User's Guide*.
- **HP Photosmart Printer Help** — The onscreen HP Photosmart Printer Help describes how to use the printer with a computer and contains software troubleshooting information.

After you have installed the printer software on your computer, you can view the onscreen Help:

- **Windows PC:** From the **Start** menu, select **Programs** (in Windows XP, select **All Programs**)> **HP > Photosmart 320, 370, 7400, 7800, 8100, 8400, 8700 Series > Photosmart Help**.
- **Macintosh:** Select **Help > Mac Help** in the Finder, then select **Library > HP Photosmart Printer Help for Macintosh**.

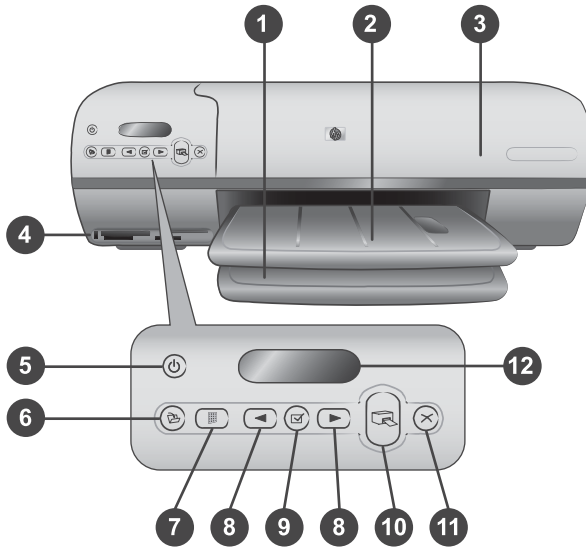
What's in the box

- The HP Photosmart 7400 series printer
- The *HP Photosmart 7400 series Setup Guide*
- The *HP Photosmart 7400 series Reference Guide*
- The HP Photosmart 7400 series printer software CD (some countries/regions may have more than one CD)
- The *User's Guide* CD
- Photo cassette
- Print cartridge protector
- Photo paper storage bag
- Paper sampler

- Tri-color and Photo print cartridges
- Power supply

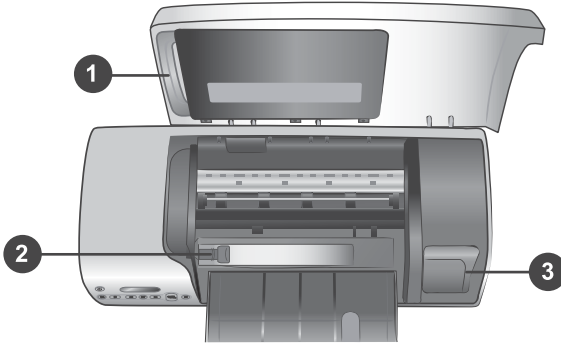
Note Contents may vary by country/region.

Printer parts

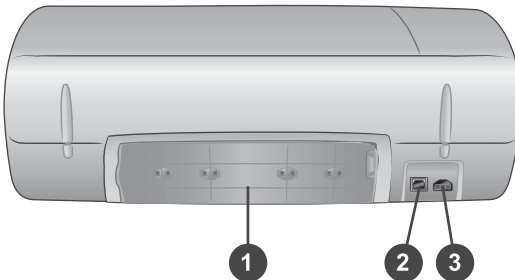


- 1. In tray** Load paper here.
- 2. Out tray** After printing, remove your photos and documents from this tray. Pull out the extender to hold larger-size paper.
- 3. Top cover** Raise the top cover to access the Photo cassette, the print cartridges, and the paper-width guide.
- 4. Memory card slots** Insert memory cards here. See [Using memory cards](#) for more information about the memory card slots.
- 5. On light** Press to turn the printer on or off. The On light keeps you informed: Green (printer is on), green/flashing (printer is busy), red/flashing (printer requires attention).
- 6. Save** Press to save your photos to a connected computer.
- 7. Print index** Press to print a photo index of all photos on a memory card. See [Quick start](#)
- 8. Select Photos** ◀ and ▶ Use to scroll through photos on a memory card.
- 9. Select Photos** ☑ Press this button to select or deselect the displayed photo index number for printing.
- 10. Print** Print the selected photos.
- 11. Cancel** Cancel the current print job.

12. **Printer screen** View the photo index numbers, photo selection status, paper status, and print cartridge status.



1. **Photo cassette** Load tabbed 10 x 15 cm (4 x 6.5 inch with .5 inch tab) photo paper, untabbed 10 x 15 cm (4 x 6 inch) photo paper, or other supported small media into this cassette, and insert the cassette into the In tray for printing.
2. **Paper-width guide** Adjust this guide for different paper widths.
3. **Print cartridge storage area** Insert any unused print cartridge in the print cartridge protector that came with the printer, then store it here to keep it from drying out.



1. **Rear access door** Open this door to clear a paper jam.
2. **USB port** Connect a computer to the printer.
3. **Power port** Plug the power cord into the printer.

Paper information

To get the best results from the printer, choose from these high-quality HP photo papers:

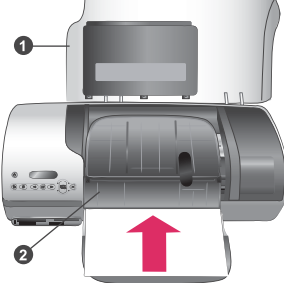
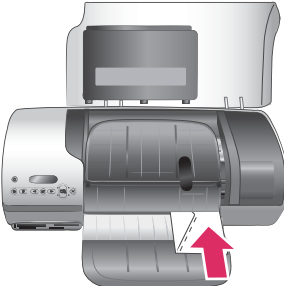
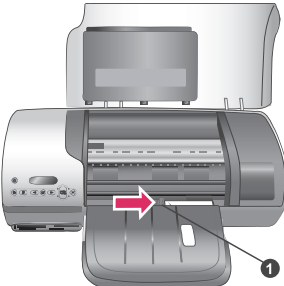
To print	Use this paper
High-quality, long-lasting prints and enlargements	HP Premium Plus Photo Paper (also known as Colorfast Photo Paper in some countries/regions)
Medium-to-high-resolution images from scanners and digital cameras	HP Premium Photo Paper
Casual and business photos	HP Photo Paper HP Everyday Photo Paper
Text documents, draft versions, test and alignment pages	HP Premium Inkjet Paper

Paper loading tips:

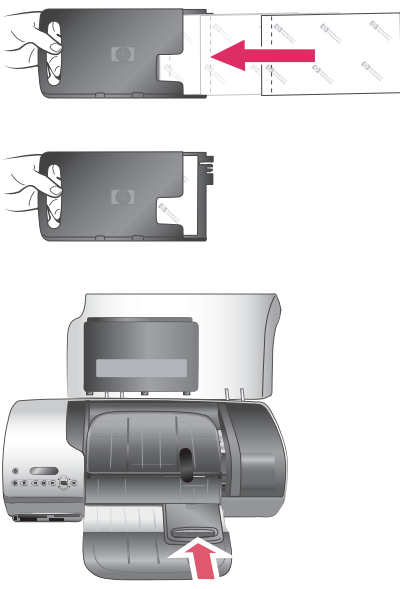
- You can print photos and documents on a wide variety of paper sizes, from 76 x 127 mm (3 x 5 inches) up to 216 x 356 mm (8.5 x 14 inches), as well as on 216-mm wide (8.5 inch) banner paper. To learn about specific paper sizes and types you can use, see [Specifications](#).
- Before loading paper, slide out the paper-width guide to make room for the paper.
- Load only one type and size of paper at a time. Do not mix paper types or sizes in the In tray or the Photo cassette.
- Be careful not to load too much or too little paper, or it may be difficult for the printer to pick up a sheet of paper. For more information about the amount of paper to load in the In tray, see [Specifications](#).
- After loading paper, pull out the Out tray extender to hold larger-size printed pages.

Use the directions in the following table to load the most commonly used paper sizes into the printer.

Paper type	How to load	Tray to load
<ul style="list-style-type: none"> • Letter or A4 paper • Transparencies • 20 x 25 cm (8 x 10) inch photo paper • 13 x 18 cm (5 x 7 inch) photo paper • Envelopes 	<ol style="list-style-type: none"> 1 Raise the top cover. 2 Raise the Out tray all the way up. 3 Load plain paper, photo paper, or transparencies print side down in the In tray. Load envelopes with the front side down and with the flap on 	In tray – larger paper sizes

Paper type	How to load	Tray to load
	<p>the left. Tuck the flaps inside the envelopes to avoid paper jams.</p> <ol style="list-style-type: none"> 4 Lower the Out tray. 5 Adjust the paper-width guide to fit close to the edges of the paper without bending the paper. 6 Lower the top cover. 	 <p>1) Top cover 2) Out tray</p> <p>In tray – envelopes</p>   <p>1) Paper-width guide</p>
<ul style="list-style-type: none"> • 10 x 15 cm (4 x 6 inch) photo paper (with or without tab) • Index cards 	<ol style="list-style-type: none"> 1 Remove any paper that's loaded in the In tray. 2 Raise the top cover and remove the 	<p>Photo cassette into the In tray</p>

(continued)

Paper type	How to load	Tray to load
<ul style="list-style-type: none">• Hagaki cards• L-size cards	<p>Photo cassette from its holder.</p> <p>3 Load up to 20 sheets of paper into the Photo cassette, print side down. If you are using tabbed paper, insert the tabbed end first.</p> <p>4 Raise the Out tray.</p> <p>5 Line up the Photo cassette on the right side of the In tray, then slide it into the printer until it snaps into place.</p> <p>6 Lower the Out tray.</p> <p>7 Lower the top cover.</p> <p>8 When you finish printing, remove the Photo cassette and store it in the holder inside the top cover.</p>	

Print cartridge information

Your HP Photosmart 7400 series printer can print color and black-and-white photos. HP provides different types of print cartridges so you can choose the best cartridges for your project.

Tip See the back cover of this guide for the cartridge selection numbers you can use with this printer.

For optimum printing results, HP recommends using only HP print cartridges. Inserting a cartridge that is not in this table may invalidate your printer warranty.

Using the right print cartridges

To print...	Insert this print cartridge in the LEFT stall	Insert this print cartridge in the RIGHT stall
Full-color photos	Tri-color HP #57	Photo HP #58
Black-and-white photos	Tri-color HP #57	Photo HP #58
Sepia or antique photos	Tri-color HP #57	Photo HP #58

Using the right print cartridges (continued)

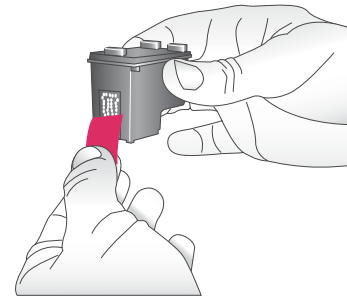
To print...	Insert this print cartridge in the LEFT stall	Insert this print cartridge in the RIGHT stall
Text and colored line drawings	Tri-color HP #57	Black HP #56



Caution Check that you are using the correct print cartridges; see the back cover for the cartridge numbers you can use with this printer. Also note that HP does not recommend modifying or refilling HP cartridges. Damage that results from modifying or refilling HP cartridges is not covered by the HP warranty.

For the best print quality, HP recommends that you install retail print cartridges before the date stamped on the box.

Inserting and replacing the print cartridges

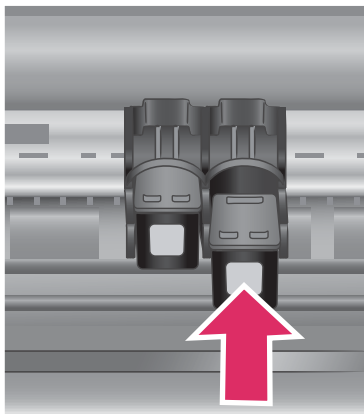


Preparing the printer and cartridges

- 1 Make sure the power is on and you have removed the cardboard from inside the device.
- 2 Raise the top cover of the printer.
- 3 Remove the bright pink tape from the cartridges.



Do not touch the ink nozzles or the copper-colored contacts, and do not re-tape the cartridges.



Inserting the cartridges

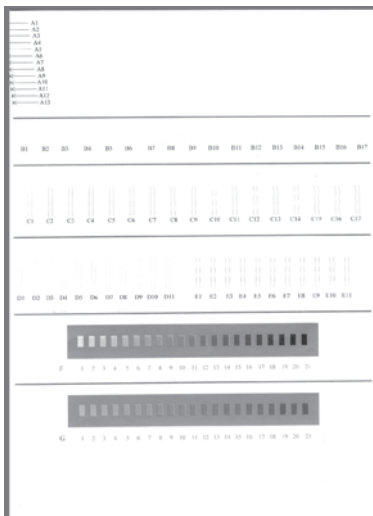
- 1 If you are replacing a Black or Photo cartridge, push down and pull outward on the cartridge in the **right** stall to remove it.
- 2 Hold the new Black or Photo cartridge with the label on top. Slide the cartridge at a slight upward angle into the **right** stall so the copper-colored contacts go in first. Push the cartridge until it snaps into place.

Caution To avoid print carriage jams, make sure the print cartridge snaps securely into place as you insert it.

- 3 Repeat the previous step to install the Tri-color cartridge in the **left** stall.
- 4 Lower the top cover.

You must install both cartridges in order for the printer to work normally.

Tip Ink-backup Printing Mode lets you keep printing even if one of the cartridges fails or runs out of ink. Remove the cartridge and close the top cover to enter Ink-backup Printing Mode. The printer continues to print, but at a slower speed and with inferior print quality. Replace the empty cartridge as soon as possible.



For optimal print quality and speed, align new print cartridges immediately after installing them. Make sure the printer is on and connected to a computer.

Aligning the cartridges

- 1 Load plain paper in the In tray.

If you are using a Windows computer:

- a Right-click on the HP Photosmart printer icon in your Windows taskbar.
- b Select **Open HP Photosmart 7400 Series Toolbox**.
- c From the **Device Services** tab, click **Align the Printer**.

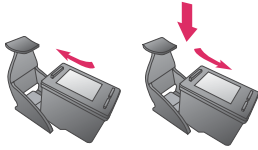
If you are using a Macintosh computer:

- a Select **Calibrate** from the **HP Inkjet Utility** drop-down menu. For instructions on viewing the HP Photosmart Printer Help, see [Find more information](#).
- b Click **Align**.

Inserting and replacing the print cartridges (continued)

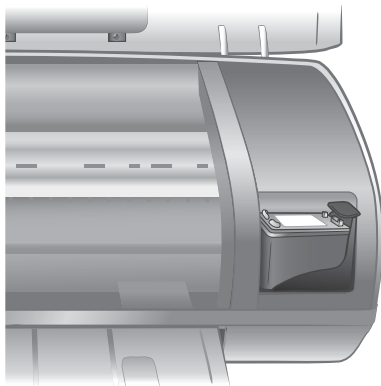
- 2 Follow the onscreen instructions to complete the cartridge alignment.

When you are not using a print cartridge



Whenever you remove a filled (not empty) print cartridge from the printer, store it in the print cartridge protector. The cartridge protector keeps the ink from drying out when the cartridge is not being used. Failure to properly store your cartridge can cause the cartridge to malfunction.

- To insert a cartridge into the cartridge protector, slide the cartridge into the protector at a slight angle and snap it securely into place.



Once you have inserted a cartridge into the cartridge protector, place it in the storage area located in the printer.

Using memory cards

After you have taken pictures with a digital camera, you can remove the memory card from the camera and insert it into the printer to view and print your photos. The printer can read the following types of memory cards: CompactFlash™, Memory Sticks, Microdrive™, MultiMediaCard™, Secure Digital™, SmartMedia™, and xD-Picture Card™.



Caution Using any other type of memory card may damage the memory card and the printer.

Supported file formats

The printer can recognize and print JPEG and uncompressed TIFF files directly from the memory card. If your digital camera saves photos in other file formats, save the

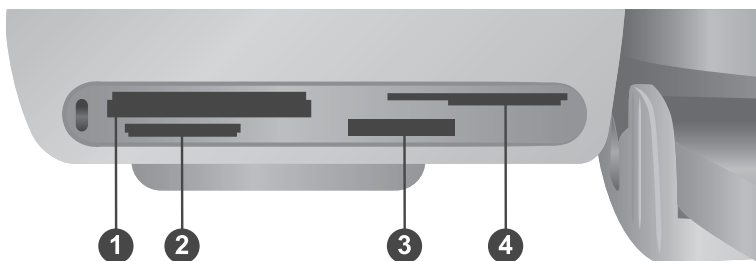
files to your computer and print them using a software application. For more information, see the onscreen HP Photosmart Printer Help.

Inserting memory cards

After you take pictures with a digital camera, remove the memory card from the camera and insert it into the printer.



Caution Do not pull out a memory card while the Memory Card light is flashing green.



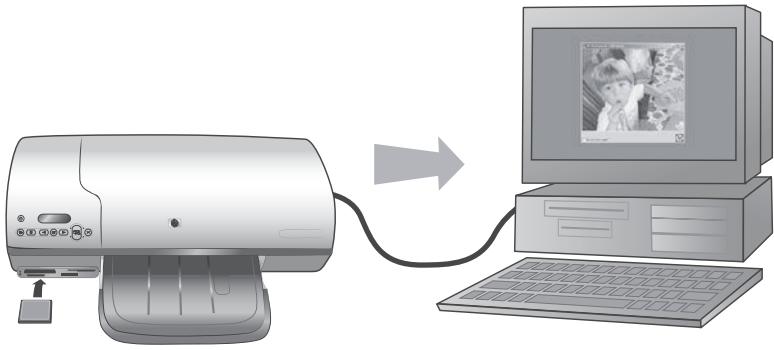
1	CompactFlash, Microdrive
2	MultiMediaCard, Secure Digital
3	Memory Stick
4	SmartMedia, xD-Picture Card

- 1 Remove any memory cards that are already inserted into any of the memory card slots. You can have only one card inserted at a time.
- 2 Find the correct slot for your memory card.
- 3 Insert the memory card into the slot with the copper-colored contacts down or the metal pinholes facing toward the printer.
- 4 Gently push the memory card into the printer until it stops.

The printer reads the memory card, and then displays the index number of the first photo on the printer screen. If you used your digital camera to select photos on the card, **dPF** appears on the printer screen. For more information about how to select and print photos, see [Selecting photos to print](#) and [Printing your photos](#).

Viewing photos on your computer screen

When the printer is connected to a computer, you can insert a memory card in the printer and view the photos on your computer screen. This Photo Viewer feature is automatic, so you don't need to do anything except insert your memory card into the printer. For information about how to connect the printer to your computer, see [Installing the software](#). For information about selecting photos to print, see [Selecting photos to print](#).



2 Printing with your new printer

The HP Photosmart 7400 series lets you print high-quality photos either with or without using your computer. This section provides you with instructions for quickly getting started without a computer, for printing with a computer, and for connecting to other people through HP Instant Share.

Printing without a computer

Get started quickly using these easy instructions.

Quick start

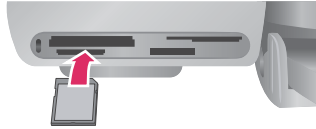
After setting up the printer using the instructions in the *HP Photosmart 7400 series Setup Guide*, refer to these steps for start-to-finish printing.

Use these steps for start-to-finish printing in minutes!

Step 1

Insert a memory card that has photos on it.

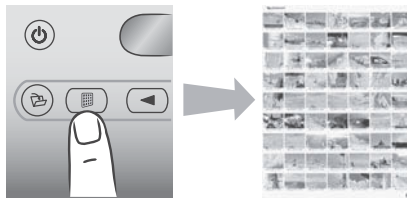
See [Using memory cards](#).



Inserting a memory card

Step 2

Press **Print Index** and decide which photos to print.



Deciding which photos to print

(continued)

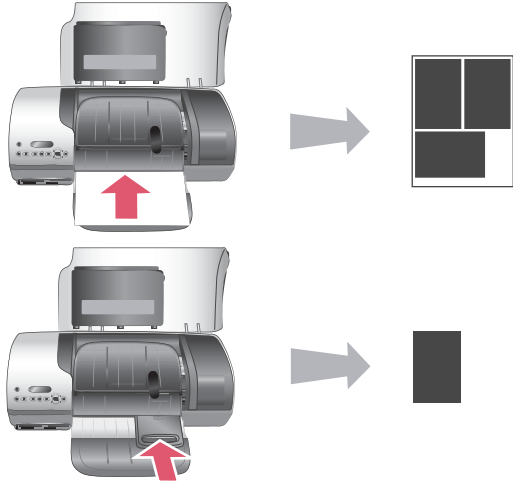
Use these steps for start-to-finish printing in minutes!

Step 3

Choose a layout and load the right paper for the job:

- To print three 10 x 15 cm (4 x 6 inch) photos per sheet, load letter or A4 paper into the In tray, **OR**
- To print one 10 x 15 cm (4 x 6 inch) photo per sheet, load tabbed 10 x 15 cm (4 x 6.5 inch) photo paper with .5 inch tab) or untabbed 10 x 15 cm (4 x 6 inch) photo paper into the Photo cassette. Tabbed paper will result in a borderless photo, untabbed paper will have a border on one edge.

See Paper information.

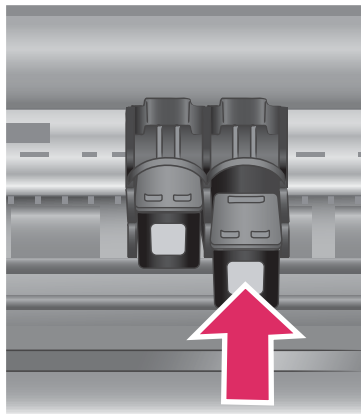


Choosing a layout and loading paper

Step 4

Insert the best print cartridges for the job.

See Print cartridge information.



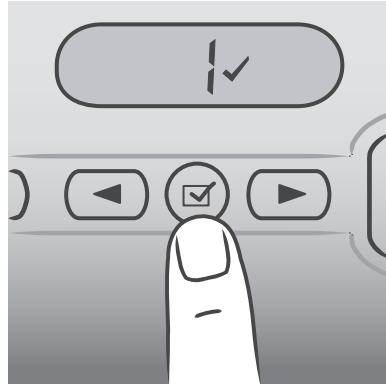
Inserting print cartridges

(continued)

Use these steps for start-to-finish printing in minutes!

Step 5

- 1 Press **Select Photos** ◀ or ▶ until the index number of the photo you want to print appears on the printer screen.
- 2 Press **Select Photos** ☑ to select the photo for printing. A check mark appears next to the number on the printer screen.



For more information on selecting photos to print, see [Selecting photos to print](#).

Selecting photos to print

Step 6

Press **Print** to print your selected photos.



Printing your photos

Selecting photos to print

If you want to...	Do this
Select one or more photos	<ol style="list-style-type: none">1 Make sure your memory card is still inserted in the printer.2 Refer to the photo index you printed and decide which photo(s) to select for printing. Note their corresponding index numbers.3 Press Select Photos ◀ or ▶ until the index number of the first photo you want to print appears on the printer screen. Press and hold the button to view the photo numbers rapidly.4 Press Select Photos ☑ to select the photo for printing. A check mark appears next to the number on the printer screen to indicate your selection.5 Repeat steps 2 and 3 until you have selected all the photos you want to print. <p>Note To deselect a photo, press Select Photos ☑ again to remove the check mark.</p>

(continued)

If you want to...	Do this
Select all photos on the memory card	<ol style="list-style-type: none"> <li data-bbox="535 170 1127 222">1 Make sure your memory card is still inserted in the printer. <li data-bbox="535 230 1127 343">2 Press and hold Select Photos <input checked="" type="checkbox"/> for three seconds. The printer screen will briefly display nine dashes, and then check marks will appear next to each index number on the screen. <p data-bbox="535 352 1127 413">Note To deselect all photos, press and hold Select Photos <input checked="" type="checkbox"/> for three seconds.</p>

Printing your photos

To print photos from a memory card:

- 1 Insert a memory card.
- 2 Select one or more photos as described earlier in this section.
- 3 Press **Print**.

Note Some digital cameras have a menu feature that allows you to select photos on a memory card to be printed. These camera-selected photos are also called Digital Print Order Format (DPOF). If you have selected photos using the DPOF feature, **dPF** appears on the printer screen when you insert the memory card. Press **Print** to print these camera-selected photos, or press **Cancel** to deselect them.

Getting connected

Use your printer to stay connected to other devices and people.

Connecting to a computer

To do this...	You will need...
Print from your computer to the printer.	A Universal Serial Bus (USB) 2.0 full-speed compliant cable 10 feet (3 meters) or less in length. For instructions on connecting the printer to your computer with a USB cable, see the <i>Setup Guide</i> .
Save photos from a memory card (inserted in the printer) to your computer. (You can enhance and organize your photos in the HP Image Zone software. See <i>Saving your photos to a computer</i> .)	A USB cable as described above.
Share photos through HP Instant Share.	<ul style="list-style-type: none"> <li data-bbox="708 1484 1115 1512">• A USB cable as described above. <li data-bbox="708 1520 1115 1545">• A computer with Internet access.

Saving your photos to a computer

When the printer is connected to a computer, you can save your photos to your Windows PC or Macintosh computer using the Save button on the printer's control panel.

- 1 Make sure the printer is connected to a computer at the USB port on the back of the printer, and that you have installed the software from the HP Photosmart 7400 series CD.
- 2 Insert a memory card into the printer.
- 3 Press **Save**.
- 4 Follow the onscreen instructions to save photos to the appropriate folder on your computer.

Note To stop saving photos to your computer, press **Cancel**.

Connecting to other people through HP Instant Share

Use HP Instant Share to share photos with friends and relatives using e-mail, online albums, or an online photo finishing service. The printer must be connected through a USB cable to a computer with Internet access and have all the HP software installed. If you try to use HP Instant Share and do not have all the required software installed or configured, a message prompts you through the required steps.

To use HP Instant Share to send photos:

- 1 Insert a memory card and select some photos.
- 2 Press **Save** to save the photos to your computer.
- 3 Use the HP Instant Share features of the HP Image Zone software to share your photos with others.

See the HP Image Zone onscreen Help for information about using HP Instant Share.

Printing from a computer




All HP photo printers come with the HP Image Zone software, which helps you do more with your photos than ever before. Use it to get creative with your pictures: edit them, share them, and create fun projects such as album pages.

You should also get to know the printer driver software. That's the interface that pops up whenever you print. It controls the resolution and color, and it usually chooses those settings automatically (which is fine when you're printing on plain paper). But if you're printing a digital photo, you'll want to get in there and fiddle around to produce the best-quality print.


For information on installing the HP Image Zone and printer driver software, see [Installing the software](#).

Software feature	Where to find information
HP Instant Share	For more information about using HP Instant Share with your specific printer

(continued)

Software feature	Where to find information
 <p>Use HP Instant Share to share photos with family and friends. HP Instant Share lets you easily:</p> <ul style="list-style-type: none"> • E-mail images using HP Instant Share without large file attachments • Create online albums to share, organize, and store photos • Order professionally processed prints online (availability varies by country/region) 	<p>model, see Connecting to other people through HP Instant Share.</p> <p>In the onscreen Help, click Use the HP Image Zone, then click Share your images using HP Instant Share.</p>
<p>Creative projects</p>  <p>Think outside the photo album. The HP Image Zone lets you use your digital photos for creative projects such as:</p> <ul style="list-style-type: none"> • Iron-on transfers • Banners • Calendars 	<p>In the onscreen Help, click Use the HP Image Zone, then click Create projects.</p>
<p>Organize your photos</p>  <p>The HP Image Zone helps you keep on top of your digital photos and video clips by letting you:</p> <ul style="list-style-type: none"> • Organize your photos in albums • Search through your photos by date, keywords, and more • Index images automatically 	<p>In the onscreen Help, click Use the HP Image Zone, then click Manage your images.</p>

(continued)

Software feature	Where to find information
<p>Edit and enhance your photos</p>  <p>The HP Image Zone lets you:</p> <ul style="list-style-type: none">• Do manual color correction and make other adjustments to improve your photos before you print them• Add text and other graphics• Resize your digital photos	<p>In the onscreen Help, click Use the HP Image Zone, then click Edit your images.</p>
<p>Take control of printing</p> <p>Harness the power of the HP Photosmart printer driver. This software gives you full control over how your photos print. You can:</p> <ul style="list-style-type: none">• Use advanced color settings to produce the highest-quality prints• Produce draft-quality prints to save on ink and photo media• Learn how to get the most out of your printer and your digital photos	<p>In the onscreen Help, click HP Photosmart Printer Help.</p>

Be sure to download the latest printer software update every couple of months to ensure you have the latest features and improvements.

To update the printer software

For instructions on updating the printer software, see the **Printing from a computer** section on the *User's Guide* CD.

3 Installing the software

The printer comes with optional software you can install on a computer. After using the *Setup Guide* instructions to setup the printer hardware, use the instructions in this section to install the software. This software includes:

The software includes:

The software	What it does
The HP Photosmart printer driver	Lets you print from applications on your computer to the HP Photosmart 7400 series printer. Onscreen help is included.
The HP Image Zone software	Lets you edit, enhance, organize, and share your photos before you print them. Online help is included.

To install the software:

Windows users	Macintosh users
<p>Important: Do not connect the USB cable until you are prompted.</p> <p>HP Image Zone software and full printer functionality is installed automatically when you choose the Typical installation of your HP software.</p> <ol style="list-style-type: none">1 Insert the HP Photosmart CD into your computer's CD-ROM drive.2 Click Next and follow the onscreen instructions. If instructions do not appear, locate the setup.exe file on the CD-ROM drive and double-click it. Wait several minutes while the files load. <p>Note If the Found New Hardware screen appears, click Cancel, unplug the USB cable, and restart the installation.</p> <ol style="list-style-type: none">3 When prompted, connect one end of the USB cable to the USB port on the back of the printer, and connect the other end to the USB port on your computer.	<p>Important: Do not connect the USB cable until you are prompted.</p> <ol style="list-style-type: none">1 Insert the HP Photosmart CD into your computer's CD-ROM drive.2 Double-click the HP Photosmart CD icon.3 Double-click the HP Photosmart Install icon. Follow the onscreen instructions to install the printer software.4 When prompted, connect one end of the USB cable to the USB port on the back of the printer, and connect the other end to the USB port on your computer.5 Select the printer in the Print dialog box. If the printer does not appear in the list, click Edit Printer List to add the printer.

To install the software: (continued)

Windows users	Macintosh users
4 Follow the onscreen instructions until the installation is finished and your computer restarts. When the Congratulations page appears, click Print a demo page .	

4 Support and warranty

This section contains information about technical support and the printer warranty.

HP Customer Care

If you have a problem, follow these steps:

- 1 Check the documentation that came with the printer.
 - **Setup Guide:** The *HP Photosmart 7400 series Setup Guide* explains how to set up your printer.
 - **User's Guide:** The *HP Photosmart 7400 series User's Guide* describes the basic features of your printer, explains how to use the printer without connecting a computer, and contains hardware troubleshooting information. This guide is available in online format on the *User's Guide* CD.
 - **HP Photosmart Printer Help:** The onscreen Help contains detailed information about how to use the software that came with the printer. For information about viewing the onscreen Help, [Find more information](#).
- 2 If you are unable to solve the problem using the information in the onscreen Help or the *User's Guide*, visit www.hp.com/support to do the following:
 - Access online support pages
 - Send HP an e-mail message for answers to your questions
 - Connect with an HP technician by using online chat
 - Check for software updatesSupport options and availability vary by product, country/region, and language.
- 3 In Europe only, contact your local point of purchase. If the printer has a hardware failure, you will be asked to bring the printer to where you purchased it. Service is free during the printer limited warranty period. After the warranty period, you will be quoted a service charge.
- 4 If you are unable to solve the problem using the onscreen Help or HP web sites, call HP Customer Care using the number for your country/region. For a list of country/region phone numbers, see the following section.

HP Customer Care by phone

While the printer is under warranty, you can obtain free phone support. For more information, see [Limited warranty statement](#), or go to www.hp.com/support to check the duration of your free support.

After the free phone support period, you can obtain help from HP at an additional cost. Contact your HP dealer or call the support phone number for your country/region for support options.

To receive HP support by phone, call the appropriate support phone number for your location. Standard phone company charges apply.

North America: Call 1-800-HP-INVENT (1-800-474-6836). U.S. phone support is available in both English and Spanish languages 24 hours a day, 7 days a week (days and hours of support may change without notice). This service is free during the warranty period. A fee may apply outside the warranty period.

Western Europe: Customers in Austria, Belgium, Denmark, Spain, France, Germany, Ireland, Italy, Netherlands, Norway, Portugal, Finland, Sweden, Switzerland, and the United Kingdom should go to www.hp.com/support to access phone support numbers in their country/region.



61 56 45 43	الجزائر
Argentina Argentina	(54) 11-4778-8380 0-810-555-5520
Australia	13 10 47
800 171	البحرين
Brasil (dentro da grande São Paulo) Brasil (fora da grande São Paulo)	(11) 3747-7799 0800-157751
Canada	(800) 474-6836
Caribbean	1-800-711-2884
Central America	1-800-711-2884
Chile	800-360-999
中国	(8621) 38814518
Columbia	01-800-011-4726
Costa Rica	0-800-011-4114 + 1-800-711-2884
Česká republika	261 307 310
Ecuador (Andinetel)	1-800-711-2884
Ecuador (Pacifitel)	1-800-225528
2 532 5222	مصر
Greece (international) Greece (in-country) Greece (Cyprus)	+ 30 210 6073603 801 11 22 55 47 800 9 2649
Guatemala	1-800-999-5105
香港特別行政區	852-2802 4098
Magyarország	1 382 1111
India	1 600 44 7737
Indonesia	62 (21) 350 3408
(0) 9 830 4848	ישראל
Jamaica	0-800-7112884
日本	0570-000511
日本 (携帯電話の場合)	+81-3-3335-9800

한국	1588-3003
Malaysia	1800-80-5405
México (Ciudad de México) México (fuera de Ciudad de México)	(55)5258-9922 01-800-4726684
22 404747	المغرب
New Zealand	0800 441 147
Nigeria	1 3204 999
Panama	001-800-7112884
Perú	0-800-10111
Philippines	63 (2) 867-3551
Polska	22 5666 000
Puerto Rico	1-877-232-0589
Republica Dominicana	1-800-7112884
România	(21) 315 4442
Russia (Moscow) Russia (St. Petersburg)	095 7973520 812 3467997
800 897 1444	السعودية
Singapore	65 6272 5300
Slovakia	2 50222444
South Africa (Intl.) South Africa (RSA)	+ 27 11 2589301 086 0001030
Rest Of West Africa	+ 351 213 17 63 80
臺灣	(02) 8722-8000
Thailand	66 (2) 353 9000
71 89 12 22	تونس
Trinidad & Tobago	1-800-7112884
Türkiye	(212) 444 7171
Ukraine	(380 44) 4903520
800 4520	الإمارات العربية المتحدة
United States	(800) 474-6836
Venezuela	01-800-4746.8368
Việt Nam	84 (8) 823 4530
For Bangladesh, Brunei, Cambodia, Pakistan, and Sri Lanka	Fax to: +65-6275-6707

Placing a call

Call HP Customer Care while you are near the computer and printer. Be prepared to provide the following information:

- Printer model number (located on the front of the printer).
- Printer serial number (located on the bottom of the printer).
- Computer operating system.
- Version of printer driver:
 - **Windows PC:** To see the printer driver version, right-click the memory card icon in the Windows taskbar and select **About**.
 - **Macintosh:** To see the printer driver version, use the Print dialog box.
- Messages displayed on the printer screen or on the computer monitor.
- Answers to the following questions:
 - Has the situation you are calling about happened before? Can you recreate the situation?
 - Did you install any new hardware or software on your computer around the time that the situation occurred?

Limited warranty statement

The limited warranty statement is included separately in the box.

5 Specifications

This section lists the minimum system requirements for installing the printer software, and provides selected printer specifications. Some environmental information is also included at the end of this section.

For a complete list of printer specifications and system requirements, see the onscreen HP Photosmart Printer Help. For information about viewing the onscreen Help, see [Welcome](#).

System requirements

Component	Windows PC minimum	Macintosh minimum
Operating system	Microsoft® Windows 98, 2000 Professional, ME, XP Home, and XP Professional	Mac® OS X 10.1 through 10.3
Processor	Intel® Pentium® II (or equivalent) or higher	G3 or greater
RAM	128 MB recommended	Mac OS 10.1 through 10.3: 128 MB
Free disk space	500 MB	500 MB
Video display	800 x 600, 16-bit or higher	800 x 600, 16-bit or higher
CD-ROM drive	4x	4x
Connectivity	PictBridge: using front camera port Bluetooth: using optional HP Bluetooth Wireless Adapter	USB: Mac OS X 10.1 through 10.3 PictBridge: using front camera port Bluetooth: using optional HP Bluetooth Wireless Adapter
Browser	Microsoft Internet Explorer 5.5 or later	—

Printer specifications

Category	Specifications
Connectivity	USB: Microsoft Windows 98, 2000 Professional, ME, XP Home, and XP Professional; Mac OS X 10.1 through 10.3
Image file formats	JPEG Baseline TIFF 24-bit RGB uncompressed interleaved TIFF 24-bit YCbCr uncompressed interleaved TIFF 24-bit RGB packbits interleaved TIFF 8-bit gray uncompressed/packbits

(continued)

Category	Specifications
	TIFF 8-bit palette color uncompressed/packbits TIFF 1-bit uncompressed/packbits/1D Huffman
Media sizes	Photo paper, 10 x 15 cm (4 x 6 inches) Photo paper with tab, 10 x 15 cm with 1.25 cm tab (4 x 6 inches with 0.5 inch tab) Index cards, 10 x 15 cm (4 x 6 inches) Hagaki cards, 100 x 148 mm (3.9 x 5.8 inches) A6 cards, 105 x 148 mm (4.1 x 5.8 inches) L-size cards, 90 x 127 mm (3.5 x 5 inches) L-size cards with tab, 90 x 127 mm with 12.5 mm tab (3.5 x 5 inches with 0.5 inch tab)
Media specifications	Recommended maximum length: 356 mm (14 inches) Recommended maximum thickness: 292 µm (11.5 mil)
Media sizes, standard	<p>Photo paper</p> 76 x 76 mm to 216 x 356 mm (3 x 3 inches to 8.5 x 14 inches) <p>Plain paper</p> Letter, 216 x 280 mm (8.5 x 11 inches) Legal, 216 x 356 mm (8.5 x 14 inches) Executive, 190 x 254 mm (7.5 x 10 inches) A4, 210 x 297 mm (8.27 x 11.7 inches) A5, 148 x 210 mm (5.8 x 8.3 inches) B5, 176 x 250 mm (6.9 x 9.8 inches) <p>Cards</p> Hagaki, 100 x 148 mm (3.94 x 5.83 inches) L-size, 90 x 127 mm (3.5 x 5 inches) L-size with tab, 90 x 127 mm with 12.5 mm tab (3.5 x 5 inches with 0.5 inch tab) Index, 76 x 127 mm, 10 x 15 cm, and 127 x 203 mm (3 x 5 inches, 4 x 6 inches, and 5 x 8 inches) A6, 105 x 148.5 mm (4.13 x 5.85 inches) <p>Envelopes</p> No. 9, 98.4 x 225.4 mm (3.875 x 8.875 inches) No. 10, 105 x 240 mm (4.125 x 9.5 inches) A2 Invitation, 110 x 146 mm (4.375 x 5.75 inches) DL, 110 x 220 mm (4.33 x 8.66 inches) C6, 114 x 162 mm (4.5 x 6.4 inches) <p>Custom</p>

(continued)

Category	Specifications
	76 x 127 mm to 216 x 356 mm (3 x 5 inches to 8.5 x 14 inches) Transparencies and label sheets Letter, 216 x 280 mm (8.5 x 11 inches) A4, 210 x 297 mm (8.27 x 11.7 inches)
Media types	Paper (plain, inkjet, photo, and banner) Envelopes Transparencies Labels Cards (index, greeting, Hagaki, A6, L-size) Iron-on transfers
Memory cards	CompactFlash Type I and II Microdrive MultiMediaCard Secure Digital SmartMedia Sony Memory Sticks xD-Picture Card
Memory card-supported file formats	Printing: See a list of supported Image file formats earlier in this table Saving: All file formats
Paper trays	In tray 76 x 127 mm to 216 x 356 mm (3 x 5 inches to 8.5 x 14 inches) Photo cassette 10 x 15 cm (4 x 6 inch) and Hagaki Out tray All supported sizes
Paper tray capacity	In tray 100 sheets of plain paper 15 envelopes 20–40 cards (depending on thickness) 20 sheets of banner paper or labels 25 transparencies, iron-on transfers, or photo paper Photo cassette 24 sheets of photo paper Out tray

(continued)

Category	Specifications
	50 sheets of plain paper 20 sheets of photo paper, banner paper or transparencies 10 cards or envelopes 25 sheets of labels or iron-on transfers
Power consumption	Printing: 6.604 W AC Idle: 2.28 W AC Off: 2.13 W AC
Print cartridges	1 Black HP (C6656A) 1 Tri-color HP (C6657A) 1 Photo HP (C6658A)
USB 2.0 full-speed support	Microsoft Windows 98, 2000 Professional, ME, XP Home, and XP Professional Mac OS X 10.1 through 10.3 HP recommends that the USB cable be less than 10 feet (3 meters) in length

Environmental statements

Hewlett-Packard Company is committed to providing quality products in an environmentally sound manner.

Protecting the environment

This printer has been designed with several attributes to minimize impact on our environment. For more information, go to HP's Commitment to the Environment website at www.hp.com/hpinfo/globalcitizenship/environment/.

Ozone production

This product generates no appreciable ozone gas (O₃).

Energy consumption

Energy usage drops significantly while in ENERGY STAR® mode, which saves natural resources and saves money without affecting the high performance of this product. This product qualifies for ENERGY STAR, which is a voluntary program established to encourage the development of energy-efficient office products.



ENERGY STAR is a U.S. registered mark of the U.S. EPA. As an ENERGY STAR partner, Hewlett-Packard Company has determined that this product meets the ENERGY STAR guidelines for energy efficiency. For more information, go to www.energystar.gov.

Paper use

This product is suited for the use of recycled paper according to DIN 19309.

Plastics

Plastic parts over 24 grams (0.88 ounces) are marked according to international standards that enhance the ability to identify plastics for recycling purposes at the end of the printer life.

Material safety data sheets

Material Safety Data Sheets (MSDS) can be obtained from the HP website at www.hp.com/go/msds. Customers without Internet access should contact Customer Care.

Recycling program

HP offers an increasing number of product return and recycling programs in many countries, and partners with some of the largest electronics recycling centers throughout the world. HP conserves resources by reselling some of its most popular products.

This HP product contains lead in the solder, which may require special handling at the end of its life.

Declaration of conformity

According to ISO/IEC Guide 22 and EN 45014

Manufacturer's name and address:	
Hewlett-Packard Company, 16399 West Bernardo Drive, San Diego, CA 92127-1899, USA	
Regulatory model number:	SDGOA-0401
Declares that the product:	
Product name:	Photosmart 7400 series (Q3409A)
Model number(s):	Photosmart 7450 (Q3409A)
Power adapters:	HP Part # 0950-4404 (domestic) HP Part # 0950-4401 (international)
Conforms to the following product specifications:	
Safety:	IEC 60950: 3rd Edition: 1999 EN 60950:2000 UL 60950:2000/CSA 22.2 No. 60950-00 NOM 019-SFCI-1993 GB4943:2001
EMC:	CISPR 22: 1997 / EN 55022: 1998, Class B CISPR 24: 1997 / EN 55024: 1998 IEC 61000-3-2: 2000 / EN 61000-3-2: 2000 IEC 61000-3-3/A1: 2001 / EN 61000-3-3/A1: 2001 CNS13438: 1998, VCCI-2 FCC Part 15-Class B/ICES-003, Issue 2 GB9254: 1998
Supplementary Information:	
The Product herewith complies with the requirements of the Low Voltage Directive 73/23/EEC and the EMC Directive 89/336/EEC and carries the CE marking accordingly.	
European Contact for regulatory topics only: Hewlett Packard GmbH, HQ-TRE, Herrenberger Strasse 140, D-71034 Böblingen Germany. (FAX +49-7031-14-3143)	
