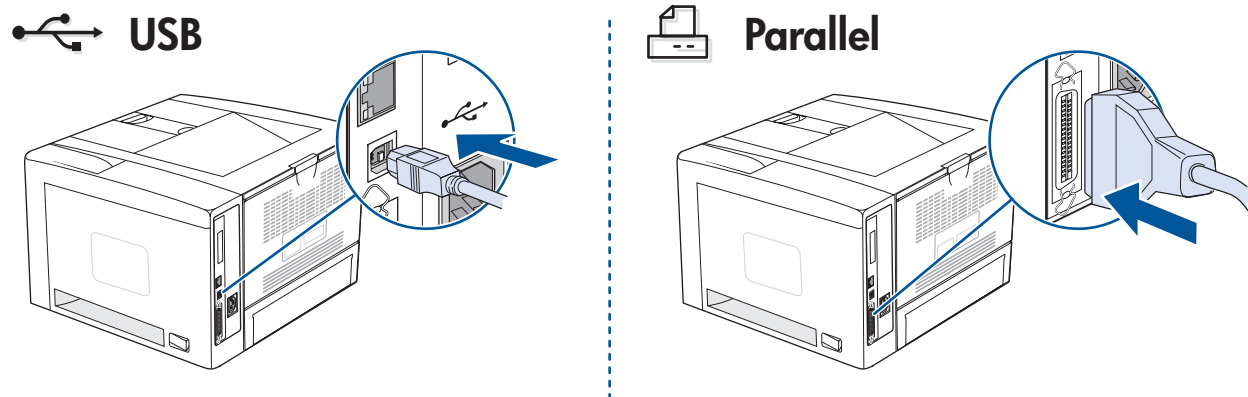
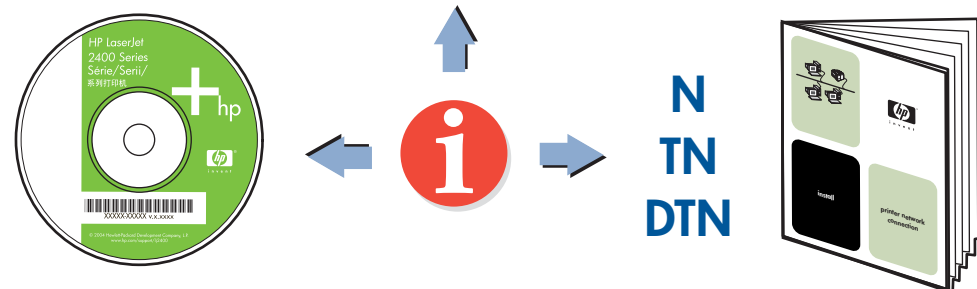


10 choose connection • 選擇連線 • เลือกการเชื่อมต่อ • 选择连接
연결 선택 • memilih koneksi • chọn kết nối



www.hp.com/support/lj2400



Additional Information

See the electronic User Guide on the CD-ROM that came with the printer for more information about the following topics.

- Detailed user instructions
- Troubleshooting information
- Important safety notice
- Regulatory information

This information is also available at www.hp.com/support/lj2400.

附加資訊

要獲得更多有關以下主題的資訊，請參閱印表機隨附的 CD-ROM 上的電子版〈使用指南〉。

- 詳細的使用說明
- 疑難排解資訊
- 重要的安全注意事項
- 法規資訊

此資訊可從 <http://www.hp.com/support/lj2400> 取得。

ข้อมูลเพิ่มเติม

โปรดดูคู่มือผู้ใช้ทางอิเล็กทรอนิกส์บนแผ่นซีดีรอม ที่มาพร้อมกับเครื่องพิมพ์หากต้องการรายละเอียดเพิ่มเติมเกี่ยวกับหัวข้อต่าง ๆ ต่อไปนี้

- คำแนะนำโดยละเอียดสำหรับผู้ใช้
- ข้อมูลการแก้ปัญหา
- ประกาศเรื่องความปลอดภัยที่สำคัญ
- ข้อมูลเชิงกฎหมาย

เพิ่มข้อมูลเกี่ยวกับ www.hp.com/support/lj2400

附加信息

有关以下主题的详细信息，请参阅打印机随附的 CD-ROM 上的电子版“用户指南”。

- 详细的用户说明
- 故障排除信息
- 重要安全通知
- 管制信息

此信息也可从 www.hp.com/support/lj2400 获得。

추가 정보

다음 항목에 대한 자세한 내용은 프린터와 함께 제공된 CD-ROM의 사용 설명서 파일을 참조하십시오.

- 상세한 사용 지시사항
- 문제 해결 정보
- 중요한 안전 주의사항
- 규격 정보

이 정보는 www.hp.com/support/lj2400 에서도 볼 수 있습니다.

Informasi Tambahan

Lihat Petunjuk Pemakai elektronik pada CD-ROM yang disertakan dengan printer untuk informasi lebih lanjut mengenai topik berikut:

- Rincian petunjuk pengguna
- Informasi tentang menyelesaikan masalah
- Pemberitahuan penting tentang keselamatan
- Informasi Pengaturan

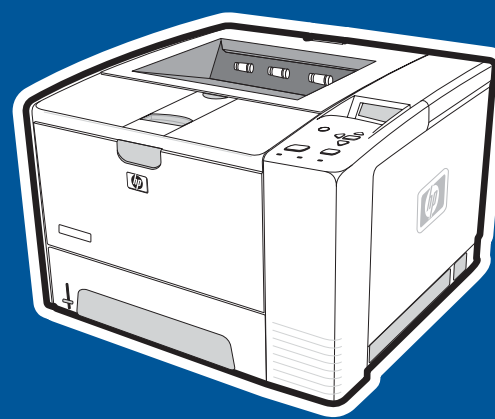
Informasi ini pun tersedia di www.hp.com/support/lj2400.

Thông tin Bổ sung

Xem Hướng dẫn Sử dụng điện tử trên CD-ROM đi kèm với máy in để biết thêm thông tin về các chủ đề sau đây.

- Hướng dẫn sử dụng chi tiết
- Thông tin về khắc phục sự cố
- Lưu ý quan trọng về an toàn
- Thông tin qui định

Thông tin này cũng có sẵn tại trang web www.hp.com/support/lj2400.



start
入門
เริ่ม
开始
시작
memulai
baét ñàù

hp LaserJet 2400 series

hp LaserJet 2400 系列

Copyright Information

© 2004 Copyright Hewlett-Packard Development Company, L.P. Reproduction, adaptation or translation without prior written permission is prohibited, except as allowed under the copyright laws. The information contained herein is subject to change without notice. The only warranties for HP products and services are set forth in the express warranty statements accompanying such products and services. Nothing herein should be construed as constituting an additional warranty. HP shall not be liable for technical or editorial errors or omissions contained herein.

FCC regulations

This equipment has been tested and found to comply with the limits for a Class B digital device, pursuant to Part 15 of the FCC rules. These limits are designed to provide reasonable protection against harmful interference in a residential installation. This equipment generates, uses, and can radiate radio frequency energy. If this equipment is not installed and used in accordance with the instructions, it might cause harmful interference to radio communications. However, there is no guarantee that interference will not occur in a particular installation. If this equipment does cause harmful interference to radio or television reception, which can be determined by turning the equipment off and on, the user is encouraged to try to correct the interference by one or more of the following measures:

- Reorient or relocate the receiving antenna.
- Increase separation between equipment and receiver.
- Connect equipment to an outlet on a circuit different from that to which the receiver is located.
- Consult your dealer or an experienced radio/TV technician.

Any changes or modifications to the printer that are not expressly approved by HP could void the user's authority to operate this equipment. Use of a shielded interface cable is required to comply with the Class B limits of Part 15 of FCC rules. For more regulatory information, see the HP LaserJet 2400 series printer use guide on the printer CD-ROM.

版权信息

© 2004 Copyright Hewlett-Packard Development Company, L.P. 未经事先书面许可，严禁以任何形式的复制、改编或翻译，除非版权法另有规定。此处包含的信息如有更改，恕不另行通知。HP 产品和服务的所有保修事项已在产品和服务所附带的保修声明中列出，此处内容不代表任何额外保修。HP 公司对此处任何技术性错误或编辑性错误概不负责。HP 公司对此处任何技术性错误或编辑性错误的错误或遗漏概不负责。部件号：Q5956-90930 第 1 版，2004 年 6 月

FCC 规则

经测试，本设备符合 FCC 规则第 15 部分对 B 类数字设备的限制规定。这些限制旨在合理地避免在住宅环境中的有害干扰。本设备可以产生、利用并放射无线射频能量。如果不按说明中的要求安装和使用本设备，可能会对无线电通信产生有害干扰。但也不能保证在特定的安装中不会产生干扰的问题。如果本设备确实对无线电或电视接收造成干扰（可以通过开关设备来确定），建议用户采取以下一种或多种措施排除干扰：

重新调整接收天线的方向或位置。

增加设备和接收器之间的距离。

将本设备电源插座与接收器电源的插座设不同的电路上。

联系代理商或经验丰富的无线/电视技术人员。

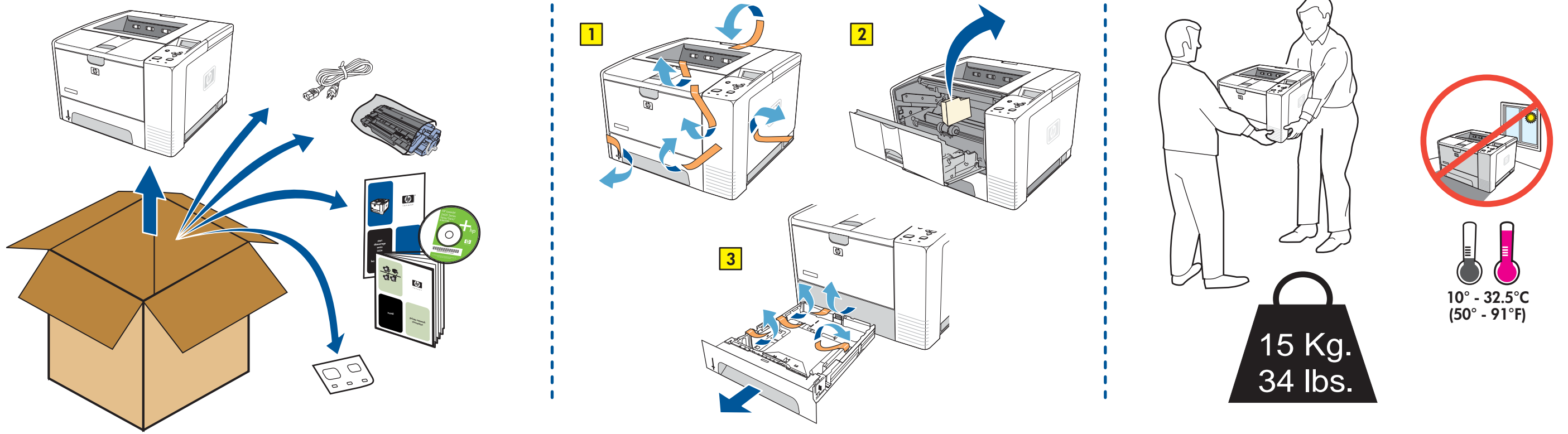
未经 HP 公司的明确同意而擅自更改或改动本打印机，将取消用户对设备的操作权限。

使用屏蔽的接口电缆时必须遵循 FCC 规则第 15 部分中的 B 类限制。

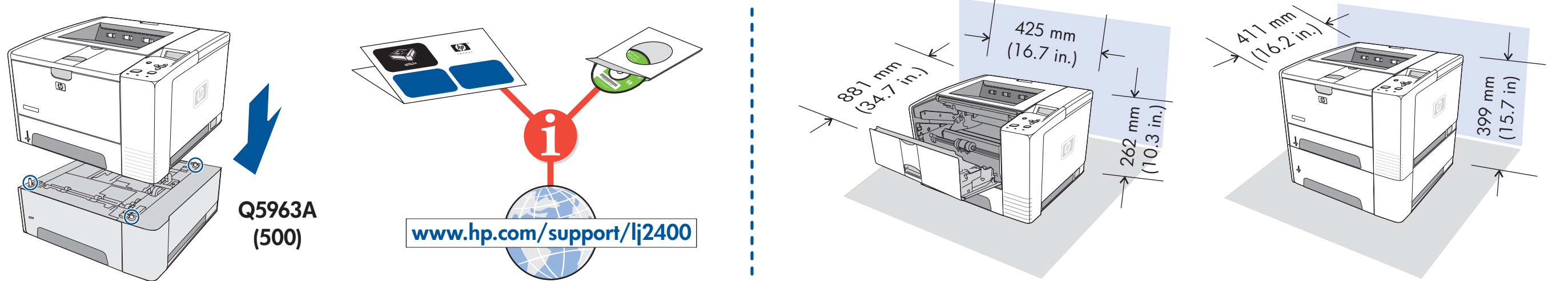


Q5956-90930

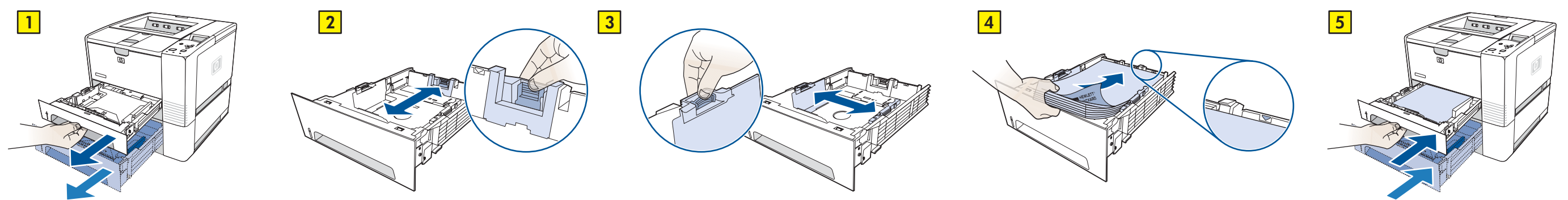
1 unpack printer • 印表機拆封 • แกะกล่องเครื่องพิมพ์ • 拆卸打印机包装 • 프린터 포장 풀기 • membongkar kemasan printer • mở thùng chứa máy in



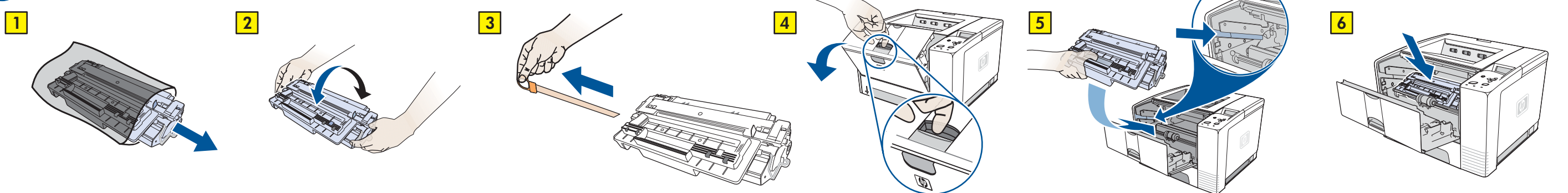
2 install accessories • 安裝附件 • ติดตั้งอุปกรณ์เสริม • 安裝附件 • 부속품 설치 • menginstal aksesoris • cài đặt các phụ kiện



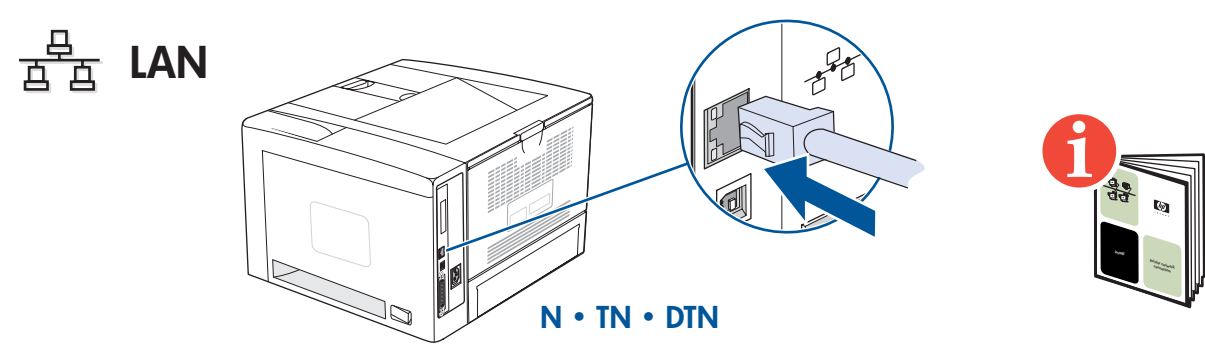
3 load all paper trays • 裝上全部的紙匣 • โหลดกระดาษทุกถาด • 装入所有纸盘 • 모든 용지함 적재 • memuatkan semua baki kertas • nạp tất cả các khay giấy



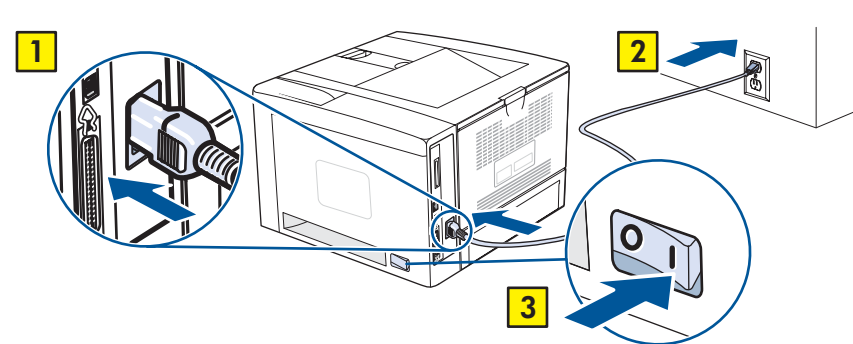
4 install toner • 安裝碳粉 • ติดตั้งถังหมึก • 装入碳粉 • 토너 설치 • menginstal toner • cài đặt mực in



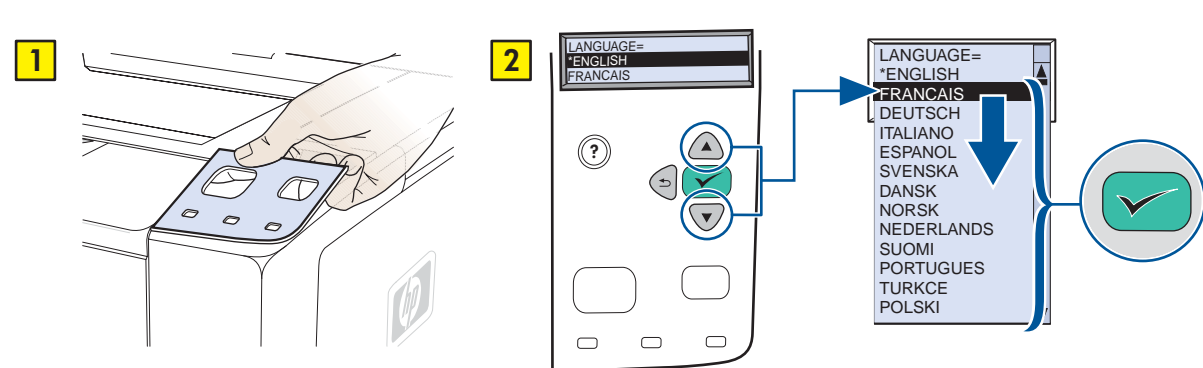
5 connect LAN (optional) • 連接區域網路 (選用) • เชื่อมต่อระบบ LAN (เลือกใช้) • 连接局域网 (可选) • LAN 연결 (선택사항) • hubungkan LAN (opsional) • kết nối LAN (tùy chọn)



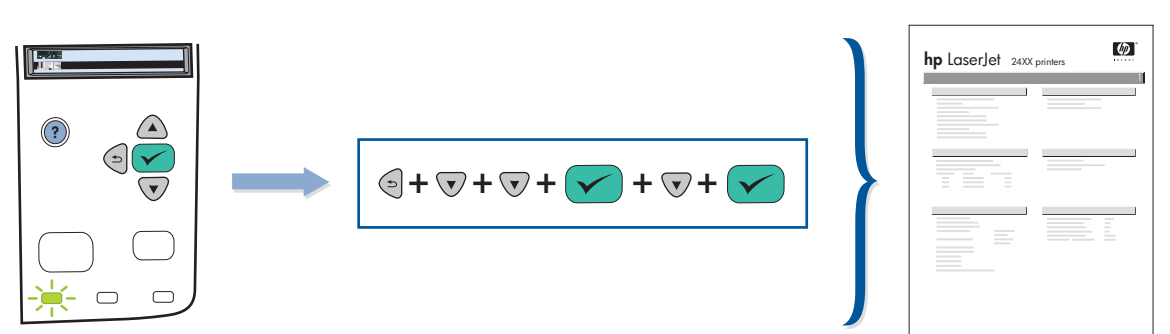
6 connect power • 接上電源 • ต่อสายไฟ • 连接电源 • 전원 연결 • hubungkan daya • nối nguồn điện



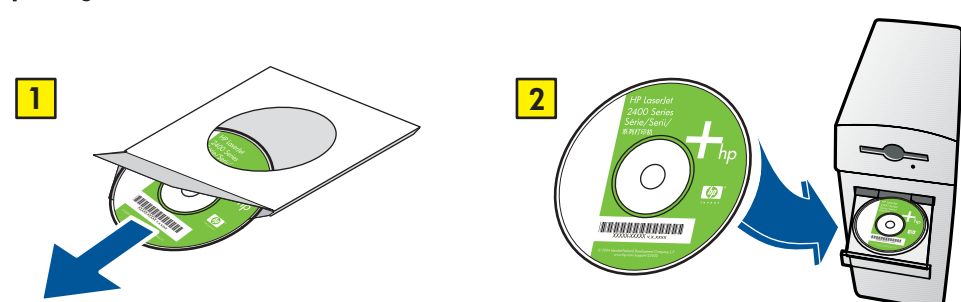
7 set language • 設定語言 • ตั้งภาษา • 设置语言 • 언어 설정 • menyetel bahasa • cài ngôn ngữ



8 print configuration page • 列印組態頁 • พิมพ์หน้าแสดงค่าคอนฟิก • 打印配置页 • 구성 페이지 인쇄 • mencetak halaman konfigurasi • in trang cấu hình



9 install software • 安裝軟體 • ติดตั้งซอฟต์แวร์ • 安装软件 • 소프트웨어 설치 • menginstal perangkat lunak • cài đặt phần mềm



If the Welcome screen does not open, double-click on **setup.exe** on the CD-ROM.
 如果未開啟「歡迎使用」畫面，請按兩下 CD-ROM 中的 **setup.exe**。
 หากหน้าจอต้อนรับไม่ขึ้น ให้คลิกสองครั้งที่ **setup.exe** บนแผ่นซีดี
 如果没有出现欢迎屏幕，请双击 CD-ROM 中的 **setup.exe**。
 시작화면이 열리지 않으면 CD-ROM의 **setup.exe**를 두 번 누르십시오.
 Jika layar Selamat Datang tidak terbuka, klik dua kali **setup.exe** pada CD-ROM.
 Nếu màn hình Welcome không mở, nhấp đúp chuột vào **setup.exe** trên CD-ROM.