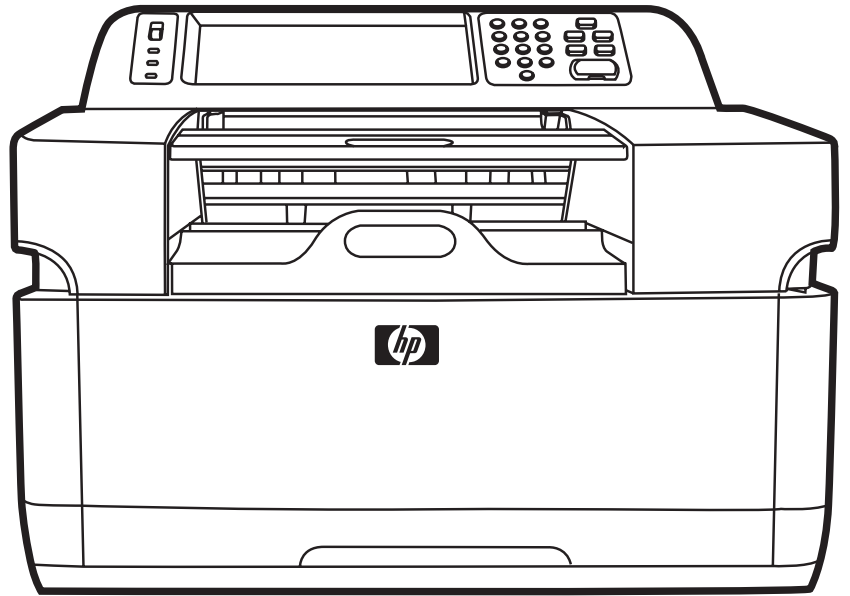


HP 9200c Digital Sender



Getting Started Guide

入门指南

Panduan Memulai

시작 설명서

入門指南

HP 9200C Digital Sender

Getting Started Guide

Copyright and License

© 2004 Copyright Hewlett-Packard
Development Company, LP

Reproduction, adaptation, or translation
without prior written permission is
prohibited, except as allowed under the
copyright laws.

The information contained in this document
is subject to change without notice.

The only warranties for HP products and
services are set forth in the express
warranty statements accompanying such
products and services. Nothing herein
should be construed as constituting an
additional warranty. HP shall not be liable
for technical or editorial errors or omissions
contained herein.

Part number: Q5916-90905

Edition 1, 11/2004

Trademark Credits

Microsoft® and Windows® are U.S.
registered trademarks of Microsoft
Corporation.

Pentium® is a registered trademark of Intel
Corporation or its subsidiaries in the United
States and other countries/regions.

Table of contents

1 Introduction

Where to look for information	2
Installation checklist	2
Before you begin	3

2 Setup

Step 1. Unpack and check package contents	6
Step 2. Installation requirements and product parts	7
Environmental requirements	7
System requirements	7
Identifying the product parts	9
Step 3. Change the control-panel overlays	10
Step 4. Unlock the scanner head	12
Step 5. Connect the network cable	13
Step 6. Connect the power cord	14
Step 7. Configure the control-panel settings	15
Configuring the control-panel language	15
Configuring the date and time	15
Step 8. Assign the IP address	16
Finding the DHCP IP address	16
Manually assigning an IP address	16
Step 9. Install and configure the software	17
Before you begin	17
To install the software	17
Step 10. Verify the product installation	21

3 Troubleshooting and customer support

Troubleshooting	24
Customer support	27
FCC regulations	28

Index

1

Introduction

Congratulations on your purchase of the HP 9200C Digital Sender, a valuable addition to your content-management processes. The digital sender scans all kinds of documents and then sends them to e-mail addresses, fax destinations, or network folders. The digital sender can also be set up to send documents to workflow destinations, along with metadata files containing workflow information that is captured at the device control panel. By using these features, the digital sender can be the interface for a variety of content-management programs including Microsoft® Share Point, Documentum, Filenet, and Lotus Domino. By using additional software such as HP Autostore, the digital sender can also send a document through a more complex workflow that includes components such as bar code recognition or Optical Character Recognition (OCR).

The digital sender includes the following features:

- **Digital sending**—Send scanned files to e-mail addresses, fax destinations, network folders, and workflow folders. Digital-sending functions are carried out by the HP Digital Sending Software (HP DSS), which is included with the digital sender.
- **Flatbed scanner**—The letter/A4 size scanner can scan both black-and-white and color documents, and can scan the full page area within 1 mm (0.04 inch) of the paper edge.
- **Interactive touchscreen control panel**—Intuitive onscreen menus and wizards help to carry out digital-sending tasks.
- **Automatic document feeder (ADF)**—The legal-size ADF accepts up to 50 pages, and includes built-in duplexing for scanning both sides of a double-sided document.
- **Memory**—The device includes 128 megabytes (MB) of random access memory (RAM).
- **Hard disk**—The device comes with a 20-gigabyte (GB) internal hard drive for storing documents and settings.
- **Connectivity**—A 10/100Base-T port and an enhanced input/output (EIO) expansion slot are provided for connectivity.
- **HP Jetdirect Inside**—An HP Jetdirect embedded print server is integrated directly on the device for reliable network connectivity.

Where to look for information

Explore the following documentation sources to learn how to use the HP 9200C Digital Sender.

Getting started guide (this document)—Provides step-by-step instructions for installing and setting up the digital sender.



User guide and support guide—The *HP 9200C Digital Sender User Guide* (part number Q5916-90910) contains information about using the digital sender and troubleshooting problems. The *HP 9200C Digital Sender Support Guide* (part number Q5916-90930) contains more detailed configuration and administration instructions. Both of these guides are available on the documentation CD-ROM that came with the digital sender. They are also available on the Web at <http://www.hp.com/support/9200c>.



Online Help—The HP MFP DSS Configuration Utility includes online help that contains information about digital-sending options.

Installation checklist

This guide helps you set up and install your new product. For correct installation, complete each step, in order.

Step 1: Unpack the product.

Step 2: Verify installation requirements and product parts.

Step 3: Change the control-panel overlays (optional).

Step 4: Unlock the digital-sender scanner head.

Step 5: Connect the network cable.

Step 6: Connect the power cord.

Step 7: Configure the control-panel settings.

Step 8: Assign the device IP address.

Step 9: Install and configure the software.

Step 10: Verify the product installation.

Before you begin

During the software installation procedure, you are prompted to configure the digital-send options. In order to complete this configuration, you need the following information:

- The software license key from the label on the software CD-ROM
- The host name or Internet Protocol (IP) address of the simple mail transfer protocol (SMTP) e-mail server that will be used to send e-mail from the digital sender
- The host name or IP address of the Lightweight Directory Access Protocol (LDAP) server that will be used to retrieve e-mail addresses (optional)
- The paths for any folders that are to be set up for the send-to-folder feature
- The host name or IP address of the digital sender

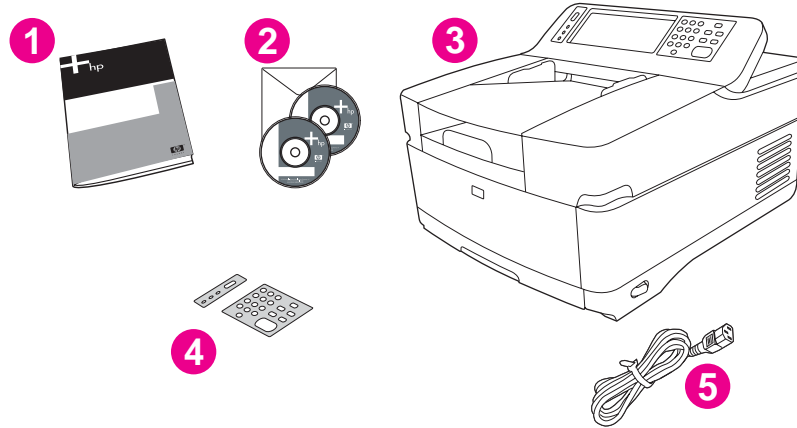
2

Setup

Follow these steps to set up and configure the digital sender. If you need more detailed information about how to use or configure the device, see the *HP 9200C Digital Sender User Guide* or the *HP 9200C Digital Sender Support Guide*.

Step 1. Unpack and check package contents

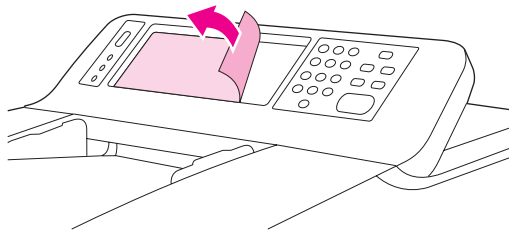
The following items ship in the box with the digital sender.



- 1 Getting started guide
- 2 HP DSS software and digital sender documentation CD-ROMs
- 3 Digital sender
- 4 Control panel overlays (optional)
- 5 Power cord

Follow these instructions to unpack the digital sender.

1. Lift the device out of its box and remove all shipping bags.
2. Remove all tape and packing material from the ADF.
3. Remove the protective film from the control-panel display.



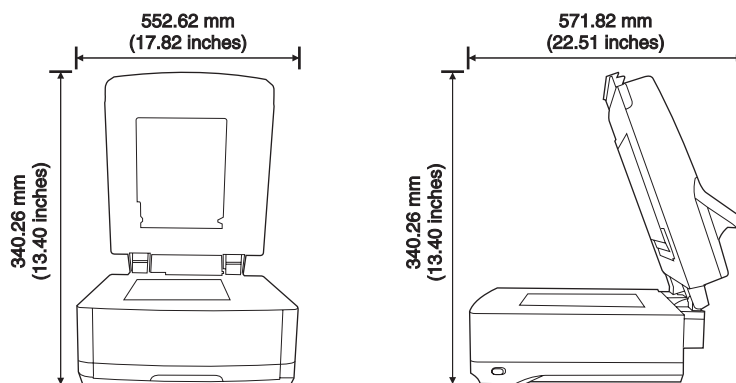
Step 2. Installation requirements and product parts

Ensure that the proper environmental and network conditions exist for the installation of the digital sender.

Environmental requirements

- Stable environment with no temperature or humidity changes
- Room temperature of 0 to 40°C (32 to 104°F)
- Relative humidity of 15 to 80% noncondensing
- Sturdy, level surface
- Well-ventilated room with no exposure to chemicals or direct sunlight

Observe the following space requirements when installing the digital sender.



NOTE

The digital sender requires 90 mm (3.5 inches) of free space behind the device in order to fully open the top.

System requirements

The following system specifications are required for this product.

Hardware requirements

The digital sending software has the following hardware requirements for a server supporting **less than 50** digital sending devices (MFPs or 9200C digital senders):

- A PC with a Pentium® 3 or higher processor
- 512 MB of RAM

The digital sending software has the following hardware requirements for a server supporting **50 to 250** digital sending devices:

- A PC with a 2 GHz Pentium® 4 or higher processor
- 1 GB of RAM

NOTE

You must have Administrative privileges on the server in order to install the software.

Network system requirements

The digital sending software has the following network requirements:

- Windows® 2000 Professional, Server, or Advanced Server; Windows XP Professional; or Windows Server 2003 Standard or Enterprise Server
- Fast Ethernet 100Base-TX or Ethernet 10Base-T
- Access to an SMTP e-mail gateway

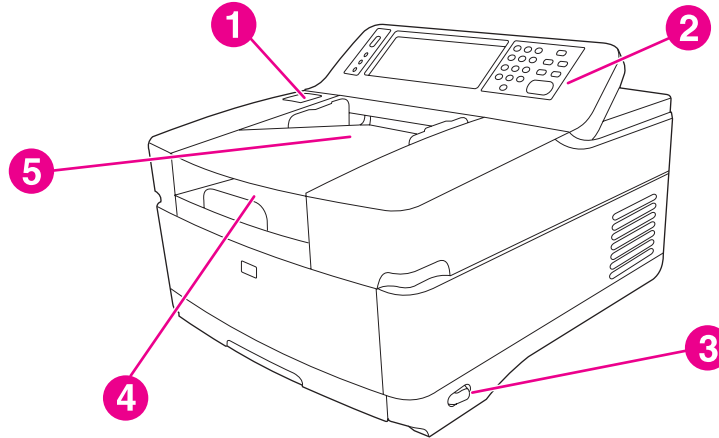
NOTE

It is **highly recommended** that the SMTP gateway be located on your own local area network. However, you can configure your product for e-mail functionality even if your mail services are provided by an outside Internet service provider (ISP) over a digital subscription line (DSL).

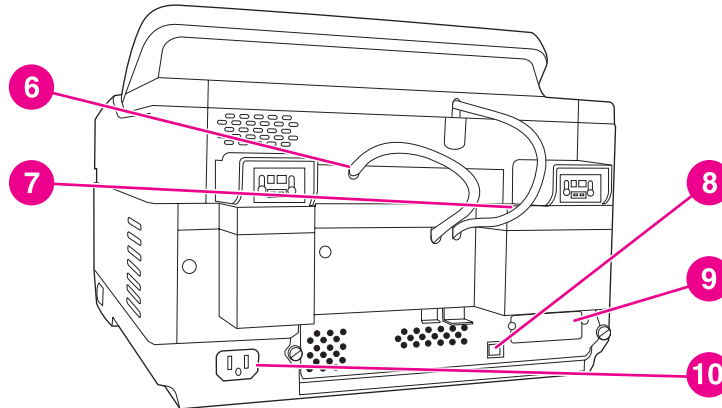
- Access to a network LDAP server to support optional user authentication

Identifying the product parts

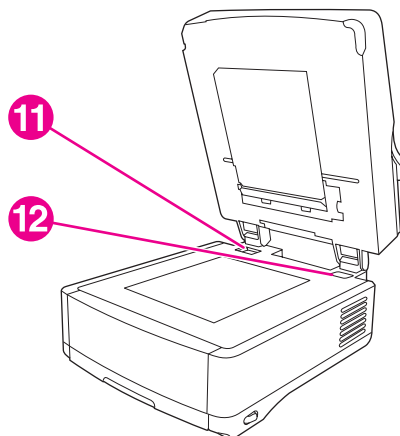
The following illustrations show the location and names of the primary product parts.



- 1 Jam release button
- 2 Control panel
- 3 On/off switch
- 4 Output bin
- 5 ADF input bin



- 6 ADF cable
- 7 Control-panel cable
- 8 10/100Base-T network port
- 9 EIO port
- 10 Power connector

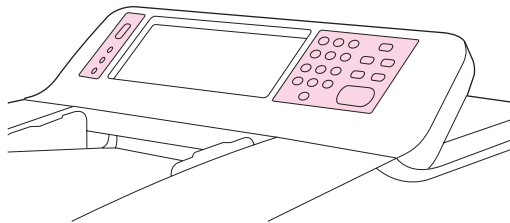


- 11 Scanner lock
- 12 Serial number

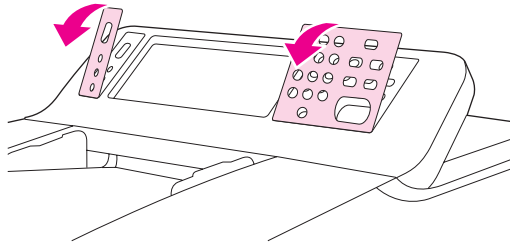
Step 3. Change the control-panel overlays

The device comes with overlays installed on the control panel, and overlays for different languages might be included in the box. If necessary, use the following procedure to change the control-panel overlays to support your preferred language.

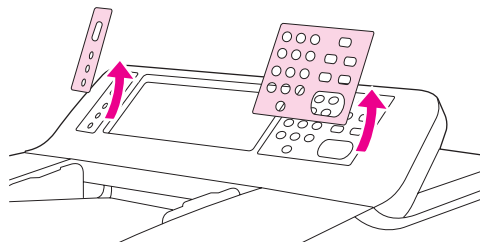
1. Locate the two control-panel overlays.



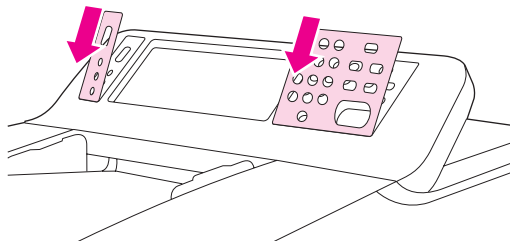
2. Insert a small, flat-blade screwdriver or other thin tool in the slot at the top edge of one of the overlays to pull the top away from the control panel.



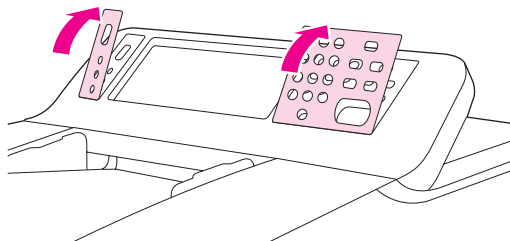
3. Lift the overlay up and back to remove it from the product.



4. Position the new overlay over the control panel. Align the ends of the overlay with the holes on the control panel and slide the overlay in.



5. Snap the overlay firmly onto the control panel. Ensure that the overlay is flat against the control panel.

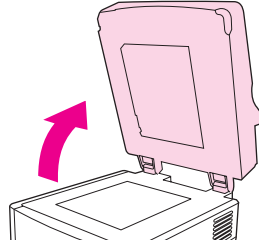


6. Repeat steps 2 through 5 to change the second overlay.

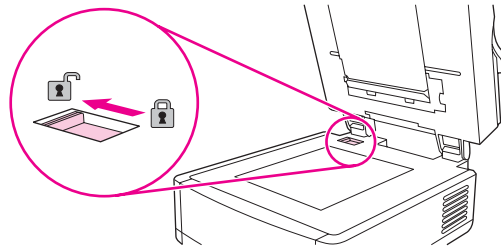
Step 4. Unlock the scanner head

The scanner head is locked to prevent damage during shipping. Follow these instructions to unlock it.

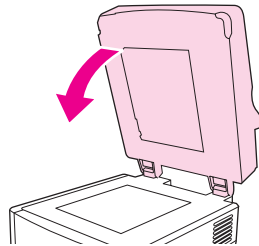
1. Open the top of the digital sender.



2. Unlock the scanner head.

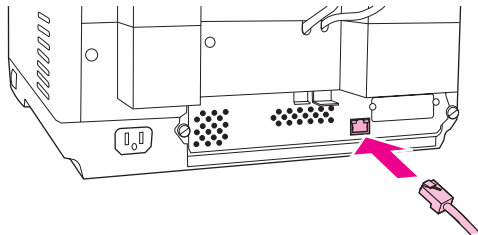


3. Close the top of the digital sender.



Step 5. Connect the network cable

Use the RJ-45 connector on the back of the device to connect the product to a Fast Ethernet 100Base-TX or Ethernet 10Base-T network.

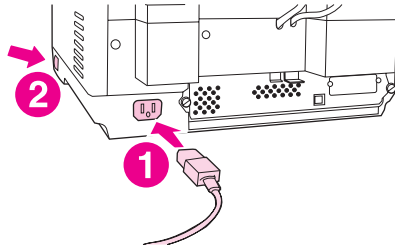


Step 6. Connect the power cord

1. Connect the power cord to the product power cord connector. Then connect the power cord to an adequate alternating current (ac) outlet.

NOTE

This product can operate using either 110/120 volts (V), 60 hertz (Hz) power or 220/240 V, 50 Hz power.



2. Turn the product on by using the power button. After the product warms up, a prompt appears asking you to configure your control-panel display language (see [Step 7. Configure the control-panel settings](#)).

Step 7. Configure the control-panel settings

When the device is turned on for the first time, the control-panel display presents prompts for setting the language, date, and time.

Configuring the control-panel language

By default, the control panel on the product shows messages in English. You can use the control panel menus to configure the product to show messages in another supported language. When the product is turned on for the first time, the **LANGUAGE** menu appears on the control-panel display. Select a language to continue.

NOTE

If no language is selected within 60 seconds, English is set as the language, and any language change must be made using the process below.

Follow these instructions to change the control-panel language.

1. Press the **MENU** button on the control panel.
2. Touch **CONFIGURE DEVICE** (the third menu item).
3. Touch **SYSTEM SETUP** (the fourth menu item).
4. Scroll down and touch **LANGUAGE** (the last menu item).
5. Touch the preferred language.

Configuring the date and time

After configuring the language, the control-panel display shows the current date and time. If the date and time are wrong, touch **OK** to set them. If they are right, touch **Exit**. Once it has been set, the real-time clock within the device will keep the correct time.

Step 8. Assign the IP address

In order to function properly, the device must be assigned a valid IP address on your network. If your network uses dynamic host configuration protocol (DHCP), this IP address can be assigned automatically. DHCP is the default setting in the digital sender. If you are not using DHCP, you will need to manually assign an IP address.

Finding the DHCP IP address

Use one of the methods below to find the IP address that DHCP has automatically assigned.

- Look at the upper-left corner of the digital-sender control-panel display. Next to the word **Ready** the IP address should appear.
- If the IP address does not appear on the control-panel display, press the **MENU** button on the control panel. Touch the **INFORMATION** menu, and then touch **CONFIGURATION**. The digital-sender configuration information appears on the touchscreen. Touch the **OK** button to see the Jetdirect data. Scroll through the information until you find the IP address.

Manually assigning an IP address

If you need to assign an IP address to the device, follow these instructions.

1. Press the **MENU** button on the control panel.
2. Touch **CONFIGURE DEVICE**.
3. Scroll down and touch **I/O**.
4. Scroll down and touch **EMBEDDED JETDIRECT MENU**.
5. Touch **TCP/IP**.
6. Touch **CONFIG METHOD**.
7. Touch **MANUAL**.
8. Touch **MANUAL SETTINGS**.
9. Touch **IP ADDRESS** and use the control-panel keypad to type in the unique IP address for the device.

Step 9. Install and configure the software

Install the software on the server that will be supporting the HP Digital Sending Software (HP DSS) service. After installation, the HP DSS runs in the background as a service. It starts automatically whenever the server is restarted.

NOTE

The digital sender must be on and connected to the network in order to successfully complete the software installation process.

Before you begin

During the software installation procedure, you are prompted to configure the digital-send options. In order to complete this configuration, you need the following information:

- The software license key from the label on the software CD-ROM
- The host name or IP address of the SMTP e-mail server that will be used to send e-mail from the digital sender

NOTE

It is **highly recommended** that the SMTP gateway be located on your own local area network. However, you may also configure your product for e-mail functionality even if your mail services are provided by an outside Internet service provider (ISP) over a digital subscription line (DSL).

- The host name or IP address of the LDAP server that will be used to retrieve e-mail addresses (optional)
- The paths for any folders that are to be set up for the send-to-folder feature
- The host name or IP address of the digital sender

NOTE

The installation steps that are provided here are for basic installation only. For more details, and more advanced configuration information, see the *HP 9200C Digital Sender Support Guide*.

To install the software

1. Insert the HP DSS CD-ROM into the CD-ROM drive. When the setup program starts, select **Install Now** on the initial screen.

NOTE

The setup program should start automatically. If it does not, browse to the CD-ROM drive and run the SETUP.EXE file.

2. In the **Choose Setup Language** dialog box, select a language for the installation. The setup wizard starts.
3. On the installation **Welcome** screen, click **Next**.
4. Accept the HP software license terms by clicking **Yes**.
5. Accept the default install location, or click **Browse** to select a different one.

6. After the software files have been installed, the **HP MFP Digital Sending Software Configuration Wizard** appears.

When the HP Digital Sending Software is installed for the first time, the software can run in trial mode for a set period of time. The **Licenses** section of this first Configuration Wizard screen displays a “Trial License” entry. The remaining trial period is displayed in this entry. When the trial period expires, the software becomes inactive until a valid license is installed.

To enter the license key click the **Add** button, type the license code key from the label on the software CD-ROM, and then click **OK**.

7. In the **Administrator Information** section of the screen, fill in the administrator contact information. Select the **Notify administrator of critical errors** check box if you would like to be notified by e-mail about errors that require administrative assistance.
8. Click **Next** to continue to the **E-Mail Settings** screen.
9. Configure the e-mail settings:
 - a. Click **Find Servers** to find the SMTP servers on the network.
 - b. In the dialog box that appears, select the SMTP server that you will be using to send e-mail from the digital sender, and then click **OK**.

NOTE

If you would like to have redundant servers, you can select more than one by holding down the CTRL key while selecting the servers.

- c. Select the SMTP server that you added and click **Test** to test its functionality. If the test is not successful, contact your network administrator to verify that the SMTP server is functional.

10. Click **Next** to continue to the **Secondary E-mail Settings** screen.

NOTE

Secondary E-mail is designed for solutions that require an extra measure of data security. It differs from the regular e-mail feature in that it requires a third-party e-mail security software program in order to deliver the e-mail. The configuration of Secondary E-mail is not included in this procedure. If you are planning to enable Secondary E-mail, see the *HP 9200C Digital Sender Support Guide* for instructions.

11. Click **Next** to continue to the **Authentication Settings** screen.
12. Authentication is an important security feature. HP highly recommends that authentication be enabled on the digital sender in order to prevent unauthorized use. However, authentication is not required in order to send documents using the digital sender. If you do not want to enable authentication at this time, skip to Step 13.

To enable authentication, start by selecting an option from the **Authentication Method** drop-down list. This is the method that the device uses to verify the user’s login credentials. The following options are available.

- None
- Microsoft Windows
- LDAP server
- Novell NDS (if Novell client software is present)
- Novell Bindery (if Novell client software is present)

After you select an option, the remainder of the settings appear on the screen.

- a. Click the **Find Servers** button. The **Select LDAP Server** dialog box appears, containing a list of LDAP servers on the network. (You might first be prompted for your network login information.)
 - b. Select the LDAP server that you want to use. The information about the selected server appears.
 - c. Click **OK** to accept the selected server. The server information is filled in on the **Authentication Settings** screen.
 - d. Click the **Test** button to test the settings. In the **Test User Authentication** dialog box, type in the network logon credentials of a network user in order to test whether LDAP can successfully retrieve an e-mail address. If the test is not successful, contact your network administrator to troubleshoot the LDAP configuration.
13. Click **Next** to continue to the **Fax Settings** screen.

NOTE

Fax configuration is not included in this procedure. If you are planning to enable sending to fax, see the *HP 9200C Digital Sender Support Guide* for instructions.

14. Click **Next** to continue to the **Folder Settings** screen.
15. If you would like to make the send-to-folder feature available, select the **Enable Send to Folder** check box.
- a. Click **Add...** to add a new folder. The **Add Predefined Folder** dialog box appears.
 - b. Type a name for the folder into the **Alias Name** text box. This name appears in the device control-panel interface.
 - c. Click **Browse...** to browse to a folder location, and then click **OK** to accept it.

NOTE

The supported operating systems for folder destinations are Windows 98, Windows NT, Windows 2000, Windows Server 2003, Windows XP, and Novell NetWare.

- d. In the **Access Credentials** drop-down list, select the credentials that you want to use for access to the folder. If **Public** is selected, the program uses the **Credentials to Access Public Folders** from the **Folders Settings** screen. If **MFP User** is selected, the program uses the credentials with which the user has logged into the device.
 - e. Click **OK** to save the settings. The new folder is added to the list.
 - f. Repeat steps a through e to add more folders.
 - g. In the **Credentials to Access Public Folders** area of the **Folders** tab, type the public access credentials for saving files into folders. This information is required before you can save the folder list.
16. Click **Next** to continue to the **Workflow Settings** screen.

NOTE

Workflow configuration is not included in this procedure. If you are planning to enable sending to workflows, see the *HP 9200C Digital Sender Support Guide* for instructions.

17. Click **Next** to continue to the **Addressing Settings** screen.

18. If your network supports it, select the **Enable PABs** (Personal Address Books) check box to allow users to use their Microsoft Outlook address books on the digital sender.

NOTE

This is an optional feature which requires authentication to be enabled and set to Microsoft Windows. The Microsoft Messaging API (MAPI) is also required. See the *HP 9200C Digital Sender Support Guide* for more information.

19. Click **Next** to continue to the **Preferences Settings** page.
20. Click **Next** again. A dialog box appears asking if you want to configure MFPs to utilize the service. Click **Yes**.
21. On the **MFP Configuration** screen, click **Add...** The **Add MFPs** dialog box appears.
22. Click the **Find MFPs** button to find all MFPs and digital senders on the network. Select the digital sender you are installing from the list that appears.

NOTE

If you know the host name or IP address of the device, you can type it in the **Hostname or IP Address** text box under **Manually enter an MFP's network name** rather than using the **Find MFPs** button.

23. Click the **Add-->** button to add the device to the **MFP List**.
24. Click **Close** to close the **Add MFPs** dialog box. The digital sender now appears in the MFPs list on the **MFP Configuration** screen.
25. Select the digital sender and click the **Configure MFP** button. Use the settings in the **Configure MFPs** window to enable the digital sending options for the digital sender.
 - a. Select the **Send to Email** tab. Select the **Enable Send to Email** check box, and select **via the Digital Sender service** in the **Send Emails** drop-down list.
 - b. If you would like the users to be able to add their own e-mail message when sending e-mail, click the **Advanced** button and select the **Editable by user** check box.
 - c. Select the **Send to Folder** tab and select the **Enable Send to Folder** check box.
 - d. If you are enabling authentication, select the **Authentication** tab and select the **Enable Authentication** check box. If you are not enabling authentication, skip to step f.
 - e. Select the features for which you want authentication enabled. Then select the network domain from the **Default Domain** drop-down box.
 - f. Go to the **Addressing** tab and select the **Allow MFP to directly access an LDAP Address Book** check box if you want HP DSS to retrieve e-mail addresses directly from an LDAP server. Select the previously-configured LDAP server in the **LDAP Server** drop-down list.
 - g. Click **OK** to save the MFP configuration settings.

NOTE

If you are configuring a group of digital senders, use the **Copy Settings** button on the **MFP Configuration** screen to copy the settings from the device you have configured, then use the **Paste Settings** button to apply those settings to the other digital senders.


26. Click the **Finish** button. The final install screen appears.
27. Click the **Finish** button on the **InstallShield Wizard Complete** screen to complete the installation.

Step 10. Verify the product installation

Use the following procedure to test the installation and configuration of the device.

1. On the device control-panel display, verify that the E-Mail and Folder options appear.
2. Place a document face-up in the ADF or face-down on the flatbed glass.
3. Touch **E-MAIL** on the control-panel display.
4. If prompted, type in your user name and password.
5. If you were not prompted to log in, touch **From:** and then type in your e-mail address.
6. Touch **To:** and then type your own e-mail address.

NOTE

Touch  to delete any incorrect keystrokes.

7. Touch **OK**.
8. Press **START**. The device scans the document and sends it to you as an e-mail attachment.
9. Repeat this process using the **FOLDER** option, and verify that the file is sent to the correct folder.

If the document does not send the file correctly, verify your product installation and configuration. For additional information, see the *HP 9200C Digital Sender User Guide* or *HP 9200C Digital Sender Support Guide*.

If the test is successful, you can now scan documents and send them to an e-mail address or to a folder. See the *HP 9200C Digital Sender User Guide* for detailed instructions about how to use all of the send-to options, and see the *HP 9200C Digital Sender Support Guide* for information about configuring all of the digital-sending features.

3

Troubleshooting and customer support

Use the information in this section if you are having any problems with the initial setup of the device. For more advanced troubleshooting, see the *HP 9200C Digital Sender User Guide* or the *HP 9200C Digital Sender Support Guide*.

Troubleshooting

Use the following instructions to troubleshoot digital-sender installation problems.

Problem	Action to take
<p>The digital sender will not scan and a CHECK CABLES. CHECK SCANNER LOCK. error message is displayed.</p>	<p>The scanner head lock is still in the locked position. Switch it to the unlocked position. See Step 4. Unlock the scanner head.</p>
<p>The Find Servers button on the E-Mail Settings screen did not find any servers.</p>	<ul style="list-style-type: none"> • Verify that you have a functioning SMTP server on the network. • Click the Add... button on the E-Mail Settings screen and type in the host name or IP address of the SMTP server. After typing in the address, click the Test button to verify that the software can contact the server. • If testing the server is unsuccessful, contact your network administrator to help troubleshoot the communication with the server. • If you have any other digital senders or MFPs that are using the HP DSS service, you can use the Copy Settings button on the MFP Configuration tab of the HP MFP DSS Configuration Utility to copy the settings from a device that is functioning correctly, and then use the Paste Settings button to apply those settings to the digital sender.
<p>The Find Servers button on the Authentication Settings screen did not find any servers.</p>	<ul style="list-style-type: none"> • Verify that you have a functioning LDAP server on the network. • Type the host name or IP address of the LDAP server into the LDAP Server text box. After typing in the address, click the Find Settings button to retrieve the server settings. Then click the Test button to verify that the software can contact the server. • If testing the server is unsuccessful, contact your network administrator to help troubleshoot the communication with the server. • If you have any other digital senders or MFPs that are using the HP DSS service, you can use the Copy Settings button on the MFP Configuration tab of the HP MFP DSS Configuration Utility to copy the settings from a device that is functioning correctly, and then use the Paste Settings button to apply those settings to the digital sender.

Problem	Action to take
The digital sender is not working.	<ul style="list-style-type: none"> ● Make sure that the power cord is securely connected to the device and that it is plugged into the power outlet. ● Make sure that the device is turned on. ● Clear any error messages on the control-panel display. ● Verify that the network cable is securely connected to the device. ● Verify that one of the two green LEDs just above the device network port is on.
Scanned pages are blank or have repeated patterns.	Make sure that a page is not already on the glass.
The image quality is poor.	<ul style="list-style-type: none"> ● Make sure that the document you are trying to send is placed correctly in the ADF (face-up) or on the glass (face-down). ● If possible, try changing some of the scan settings, such as resolution or file type, to improve the image quality.
The ADF feeds multiple sheets, skews sheets, or jams frequently.	<ul style="list-style-type: none"> ● Adjust the guides so that they are snug against the stack but do not bend the stack. ● The maximum number of pages that the ADF can hold is 50 or fewer, depending on the type of media that is being loaded. ● The maximum number of pages that the output tray can hold is 50 or fewer. Make sure that more pages are not stacking up in the output tray. ● The paper must be stacked square and straight in the ADF. ● If the original was previously stapled or three-hole-punched, verify that the pages are not stuck together. ● The type of media that is being loaded might not meet the required specifications. See the <i>HP 9200C Digital Sender User Guide</i> for media specifications.

Problem	Action to take
An e-mail transmission did not arrive at the destination e-mail address.	<ul style="list-style-type: none"> ● If you typed the e-mail address at the control panel, resend the e-mail message, making sure that you type the address correctly and that it is in the correct format (has no spaces, contains the required @ sign, and contains the required period). ● Resend the e-mail. Make sure that you type the name in the correct format in the From: field so that the message is not rejected and so that you receive a message back if the e-mail transmission fails. ● Have the network administrator verify that the SMTP server is functioning.
A document that you sent to a folder did not arrive at the destination folder.	<ul style="list-style-type: none"> ● Resend the document. ● Verify whether the file name might have been modified to resolve a duplicate-file-name error.
The bottom of a page that you sent is cut off.	If the document was sent from the glass, the document page might be too long. The maximum length for documents scanned from the glass is A4, or 210 x 297 mm (8.27 x 11.69 inches).
The control panel is using the wrong language.	<p>Use the control-panel menu to set the correct language.</p> <ol style="list-style-type: none"> 1. Push the MENU button. 2. Select CONFIGURE DEVICE on the control-panel display (the third menu item). 3. Touch SYSTEM SETUP (the fourth menu item). 4. Scroll down and touch LANGUAGE (the last menu item). 5. Touch the correct language.

Customer support

For additional information about the product, see the *HP 9200C Digital Sender User Guide* or the *HP 9200C Digital Sender Support Guide* on the CD-ROM. For HP Customer Care information, see the support flyer that came with the product. You can also visit <http://www.hp.com/support/9200c> for more information.

FCC regulations

This equipment has been tested and found to comply with the limits for a Class B digital device, pursuant to Part 15 of the FCC rules. These limits are designed to provide reasonable protection against harmful interference in a residential installation. This equipment generates, uses, and can radiate radio frequency energy. If this equipment is not installed and used in accordance with the instructions, it can cause harmful interference to radio communications. However, there is no guarantee that interference will not occur in a particular installation; the presence of interference can be determined by turning the equipment off and on. If this equipment does cause harmful interference to radio or television communications, the user is encouraged to try to correct the interference by one or more of the following measures:

- Reorient or relocate the receiving antenna.
- Increase distance between equipment and receiver.
- Connect equipment to an outlet on a circuit different from that to which the receiver is located.
- Consult your dealer or an experienced radio/television technician.

NOTE

Any changes or modifications to the device that are not expressly approved by HP could void the user's authority to operate this equipment.

Index

- A**
 - ADF
 - bins, locating 9
 - features 1
 - troubleshooting 25
- B**
 - bins 9
 - blank pages, troubleshooting 25
 - box contents 6
- C**
 - cables, connecting 13
 - connecting network cable 13
 - control panel
 - language settings 15
 - locating 9
 - overlays 10
 - customer support 27
 - cut-off pages, troubleshooting 26
- D**
 - date, setting 15
 - DHCP IP address 16
 - documentation 2
 - DSS, installing 17
- E**
 - e-mail
 - sending to 21
 - troubleshooting 26
 - EIO port 9
 - environmental requirements 7
- F**
 - FCC statements 28
 - features 1
 - Find Servers, troubleshooting 24
 - folders, troubleshooting 26
- H**
 - hard disk 1
 - hardware requirements 7
 - help, online 2
 - HP DSS, installing 17
 - HP Jetdirect Inside 1
 - humidity requirements 7
- I**
 - image quality, troubleshooting 25
 - input bin 9
 - installation
 - about 2
 - checklist 2
 - control panel overlays 10
 - requirements 3
 - software 17
 - testing 21
 - IP address, assigning 16
- J**
 - jam release button 9
 - Jetdirect Inside 1
- L**
 - language, control panel
 - changing 15
 - overlays, installing 10
 - lock, scanner
 - locating 9
 - unlocking 12
- M**
 - manuals 2
 - margins, scanning 1
 - memory 1
- N**
 - network cable, connecting 13
 - network card, included 1
 - network port 9
 - network requirements 8
- O**
 - on/off switch 9
 - online help 2
 - operating environment requirements 7
 - operating system requirements 8
 - output bin 9
 - overlays, control panel 10
- P**
 - package contents 6
 - parts, locating 9
 - ports, locating 9

power cord, connecting 14
power switch 9

Q
quality, troubleshooting 25

R
regulatory statements
 FCC 28
release button, jam 9

S
Scan Failure errors 24
scanner head lock
 locating 9
 unlocking 12
serial number, locating 9
servers, troubleshooting 24
settings
 date and time 15
 IP address 16
 language 15
SMTP servers, troubleshooting 24
software, installing 17
specifications, features 1
support 27
support guide 2

system requirements 7

T
temperature requirements 7
testing installation 21
time, setting 15
troubleshooting
 ADF 25
 blank pages 25
 cut-off pages 26
 digital sending 25
 e-mail 26
 Find Servers 24
 folders 26
 image quality 25
 Scan Failure errors 24

U
unlocking scanner head 12
unpacking the digital sender 6
user guide 2

V
verifying installation 21

W
Web sites, support 2

HP 9200C Digital Sender

简体中文

入门指南

版权与许可

© 2004 Copyright Hewlett-Packard
Development Company, LP

除非版权法许可，否则，在事先未经书面许可的情况下，严禁复制、改编或翻译本书。

本文档所含信息如有更改，恕不另行通知。

HP 产品和服务的保修仅以随该产品和服务提供的书面保修声明为准。本文所述任何内容均不应被视为附加保修。对任何技术或编辑错误或本文所述内容的遗漏，HP 不承担任何责任。

产品号： Q5916-90905

Edition 1, 11/2004

商标说明

Microsoft® 和 Windows® 是微软公司在美国的注册商标。

Pentium® 是 Intel 公司或其子公司在美国和其它国家/地区的注册商标。

目录

1 简介

何处查找信息	2
安装核对表	2
开始前准备事项	3

2 设置

步骤 1. 打开包装并检查包装内物品	6
步骤 2. 安装要求和产品部件	7
环境要求	7
系统要求	7
识别产品部件	9
步骤 3. 更换控制面板贴面	10
步骤 4. 解锁扫描仪盖	12
步骤 5. 连接网线	13
步骤 6. 连接电源线	14
步骤 7. 配置控制面板设置	15
配置控制面板语言	15
配置日期和时间	15
步骤 8. 指定 IP 地址	16
查找 DHCP IP 地址	16
手动指定 IP 地址	16
步骤 9. 安装和配置软件	17
开始前准备事项	17
安装软件	17
步骤 10. 检验产品安装	21

3 故障排除和客户支持

故障排除	24
客户支持	27
FCC 规则	28

索引

1

简介

恭喜您购买了 HP 9200C Digital Sender (数字发送器)，这是一台对内容管理过程极具价值的附加产品。此数字发送器可扫描所有类型的文档，然后将它们发送到电子邮件地址、传真目的地或网络文件夹。您还可以设置数字发送器，以便将文档和包括由设备控制面板采集的工作流信息的元数据文件一并发送到工作流目的地。通过使用以下功能，您可以将数字发送器用作连接各类内容管理程序的中转站，包括 Microsoft® SharePoint、Documentum、FileNet 和 Lotus Domino。通过使用诸如 HP Autostore 之类的其它软件，数字发送器还可以通过更为复杂的、包括条形码识别或光学字符识别 (OCR) 之类组件的工作流发送文档。

此数字发送器包括下列功能：

- **数字发送** - 将扫描的文件发送至电子邮件地址、传真目的地、网络文件夹及工作流文件夹。数字发送功能由 HP 数字发送软件 (HP DSS) 完成，数字发送器中包含有此软件。
- **平板扫描仪** - letter/A4 尺寸的扫描仪可以扫描黑白和彩色文档，并可以扫描距纸张边缘 1 毫米 (0.04 英寸) 范围内的整个页面区域。
- **交互式触摸屏控制面板** - 直观的屏幕菜单和向导有助于您完成数字发送任务。
- **自动文档进纸器 (ADF)** - legal 尺寸的 ADF 最多可装 50 页纸，并带有内置双面扫描功能，可扫描双面文档的两面。
- **内存** - 设备包括 128 兆字节 (MB) 的随机存取内存 (RAM)。
- **硬盘** - 设备附带了一个 20 GB 的内部硬盘驱动器，用于存储文档和设置。
- **连接** - 提供了一个 10/100Base-T 端口和增强的输入/输出 (EIO) 扩展槽，用于进行连接。
- **内置 HP Jetdirect** - 设备上直接集成了一个内嵌式 HP Jetdirect 打印服务器，以保证可靠的网络连接。

何处查找信息

查阅下列说明文资来源，了解如何使用 HP 9200C Digital Sender。

入门指南（本文档） - 分步骤详细说明了如何安装和设置数字发送器。



用户指南和支持指南 - 《HP 9200C Digital Sender 用户指南》（部件号 Q5916-90926）包含了有关如何使用数字发送器和对问题进行故障排除的信息。《HP 9200C Digital Sender 支持指南》（部件号 Q5916-90946）包含了更加详细的配置和管理说明。这两本指南都可在数字发送器附带的 CD-ROM 上的说明文档中找到。它们也可通过访问以下网址找到：

<http://www.hp.com/support/9200c>。



联机帮助 - HP MFP DSS 配置实用程序包括联机帮助，其中提供了有关数字发送选项的信息。

安装核对表

本指南有助于您设置和安装新产品。为保证安装正确，请按顺序完成每一步。

- 步骤 1:** 打开产品包装。
- 步骤 2:** 检查安装要求和产品部件。
- 步骤 3:** 更换控制面板贴面（可选）。
- 步骤 4:** 解锁数字发送器扫描仪盖。
- 步骤 5:** 连接网线。
- 步骤 6:** 连接电源线。
- 步骤 7:** 配置控制面板设置。
- 步骤 8:** 指定设备的 IP 地址。
- 步骤 9:** 安装并配置软件。

步骤 10： 检查产品安装。

开始前准备事项

在软件安装过程中，系统将提示您配置数字发送选项。为完成此配置，您需要下列信息：

- 软件 CD-ROM 标签上的软件许可证密钥
- 从数字发送器发送电子邮件时将用到的简单邮件传输协议 (SMTP) 电子邮件服务器的主机名或 Internet 协议 (IP) 地址
- 用于检索电子邮件地址的轻量级目录访问协议 (LDAP) 服务器的主机名或 IP 地址（可选）
- 设置后将用于发送至文件夹功能的任意文件夹的路径
- 数字发送器的主机名或 IP 地址

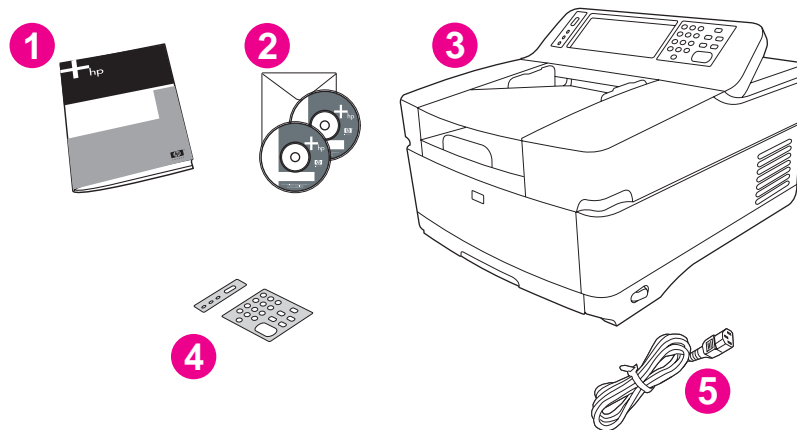
2

设置

按下列步骤操作安装和配置数字发送器。如果您需要有关如何使用或配置设备的更详细信息，请参阅 《*HP 9200C Digital Sender 用户指南*》或 《*HP 9200C Digital Sender 支持指南*》。

步骤 1. 打开包装并检查包装内物品

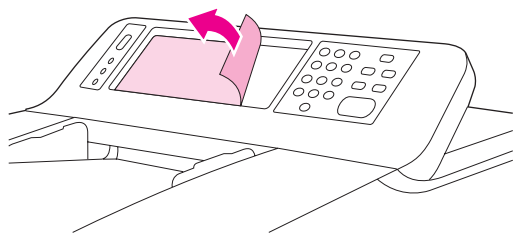
包装箱内随数字发送器提供了下列物品。



- 1 入门指南
- 2 HP DSS 软件和数字发送器说明文档 CD-ROM
- 3 数字发送器
- 4 控制面板贴面（可选）
- 5 电源线

打开数字发送器包装时请遵照下列说明。

1. 将设备从包装箱内移出，并拆除所有装运袋。
2. 从 ADF 上撕下胶带和包装材料。
3. 撕下控制面板显示屏上的保护膜。



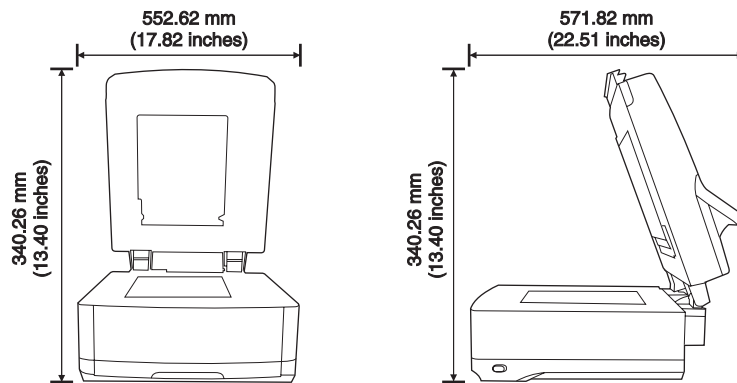
步骤 2. 安装要求和产品部件

确保安装数字发送器时，具有合适的环境和网络条件。

环境要求

- 环境稳定，无温度或湿度变化
- 室温在 0 到 40°C（32 到 104°F）之间
- 相对湿度在 15% 到 80% 之间，无冷凝
- 表面稳固、平整
- 房间通风良好，设备不直接接触化学物质或受阳光直射

安装数字发送器时应满足下列空间要求。



注意

数字发送器要求在设备后面留够 90 毫米（3.5 英寸）的空间，以便能完全打开顶盖。

系统要求

本产品要求系统符合下列规格。

硬件要求

数字发送软件对支持少于 50 台数字发送设备（MFP 或 9200C 数字发送器）的服务器有下列硬件要求：

- 带 Pentium® 3 或更高处理器的 PC
- 512 MB 的 RAM

数字发送软件对支持 50 到 250 台数字发送设备的服务器有下列硬件要求：

- 带 2 GHz Pentium® 4 或更高处理器的 PC
- 1 GB 的 RAM

注意

您必须具有服务器的管理权限才能安装软件。

网络系统要求

数字发送软件对网络的要求如下：

- Windows® 2000 Professional、Server 或 Advanced Server；Windows XP Professional；Windows Server 2003 Standard 或 Enterprise Server
- 快速以太网 100Base-TX 或以太网 10Base-T
- 能访问 SMTP 电子邮件网关

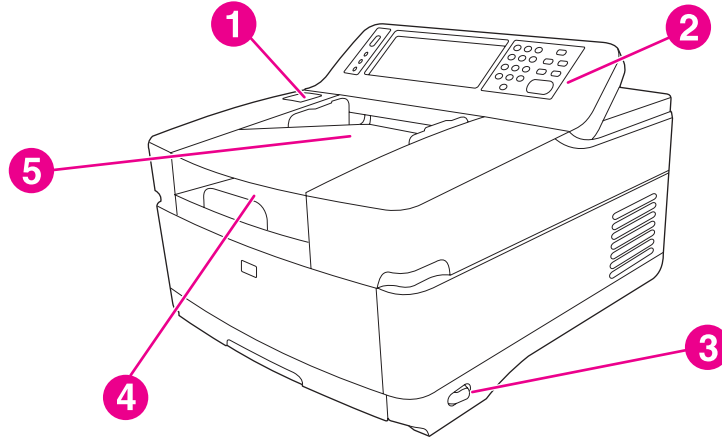
注意

强烈建议将 SMTP 网关安装在您的局域网中。但是，即使您的电子邮件服务是由外部 Internet 服务提供商 (ISP) 通过数字租用线 (DSL) 提供，您也可以配置您的产品，实现电子邮件功能。

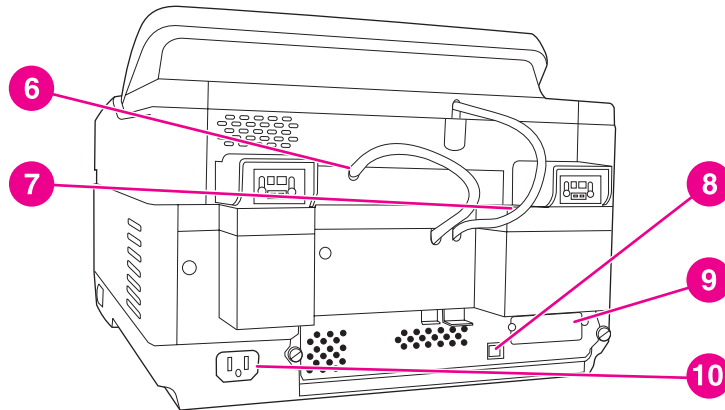
- 访问网络 LDAP 服务器以支持可选用户验证

识别产品部件

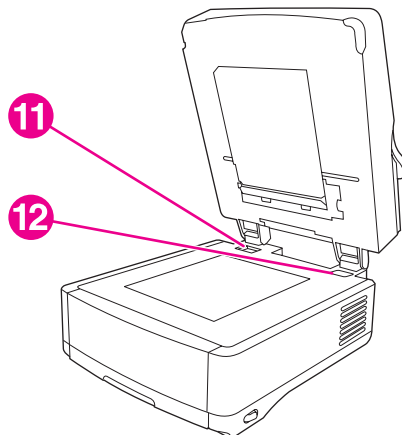
下列图示显示了主要产品部件的位置和名称。



- 1 卡纸释放按钮
- 2 控制面板
- 3 电源开关
- 4 出纸槽
- 5 ADF 进纸槽



- 6 ADF 电缆
- 7 控制面板电缆
- 8 10/100Base-T 网络端口
- 9 EIO 端口
- 10 电源接口

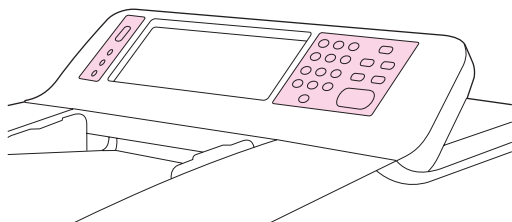


- 11 扫描仪锁
- 12 序列号

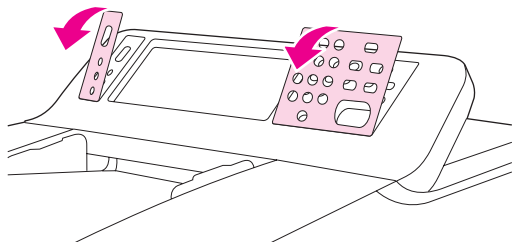
步骤 3. 更换控制面板贴面

设备装运时控制面板上安装有贴面，包装箱内还装入了不同语言的贴面。如有必要，执行下列步骤更换贴面，以支持您选择的语言。

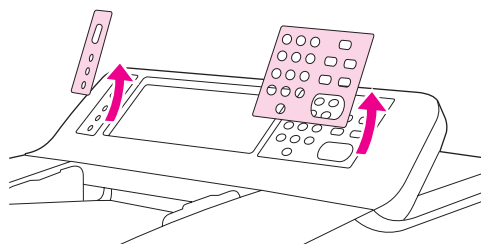
1. 找到两个控制面板贴面的位置。



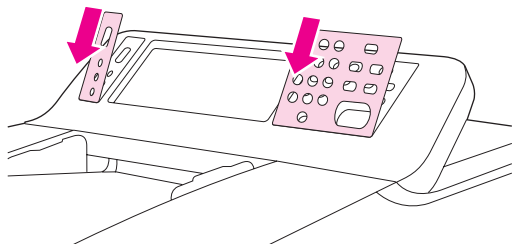
2. 在其中一个贴面顶部边缘的插槽中插入一把小的平口螺丝刀或其它细小工具，然后将贴面顶部拉出控制面板。



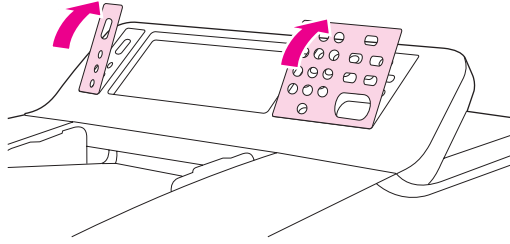
3. 向上并向后提起贴面，将其从产品上卸下。



4. 将新贴面放在控制面板上。将贴面底侧与控制面板上的小孔对齐，然后将贴面滑入。



5. 将贴面牢固卡在控制面板上。确保贴面紧贴控制面板。

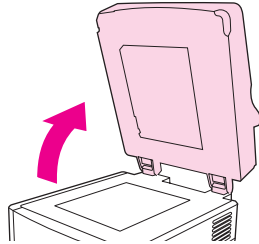


6. 重复步骤 2 至 5，更换另一贴面。

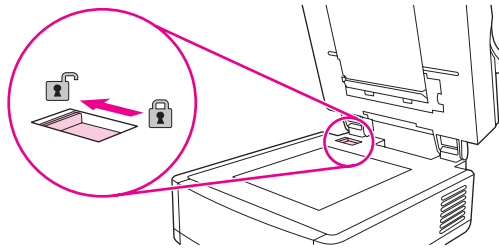
步骤 4. 解锁扫描仪盖

扫描仪盖被锁定，以免在装运途中受到损坏。请按下列说明操作为其解锁。

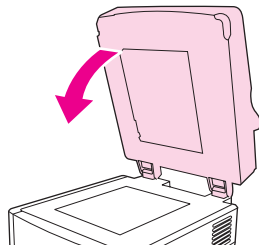
1. 打开数字发送器顶盖。



2. 解锁扫描仪盖。

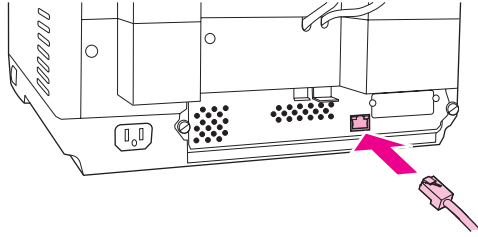


3. 合上数字发送器顶盖。



步骤 5. 连接网线

使用设备背部的 RJ-45 接口将产品连接至快速以太网 100Base-TX 或以太网 10Base-T 网络。

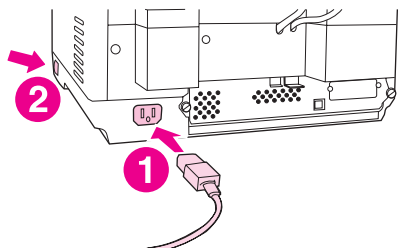


步骤 6. 连接电源线

1. 将电源线连接至产品的电源线接口，然后将电源线连接至适当的交流电源墙上插座。

注意

本产品可在 110/120 伏 (V)，60 赫兹 (Hz) 的电源或 220/240 V，50 Hz 的电源下工作。



2. 使用电源按钮打开产品。产品预热完成后，系统将提示您配置控制面板显示语言（参见 [步骤 7. 配置控制面板设置](#)）。

步骤 7. 配置控制面板设置

第一次打开设备后，控制面板显示屏上将显示提示，要求您设置语言、日期和时间。

配置控制面板语言

默认情况下，控制面板以英语显示消息。您可以使用控制面板菜单配置产品，以用支持的其它语言显示消息。第一次打开产品后，控制面板显示屏上会显示 **LANGUAGE**（语言）菜单。选择一种语言后继续。

注意

如果在 60 秒内未选择语言，系统将把语言设置成英语，若要更改语言，则必须按下列步骤操作。

更改控制面板语言时请按下列说明操作。

1. 按控制面板上的 **MENU** 按钮。
2. 轻触 **CONFIGURE DEVICE**（第三个菜单项）。
3. 轻触 **SYSTEM SETUP**（第四个菜单项）。
4. 向下滚动并轻触 **LANGUAGE**（最后一个菜单项）。
5. 轻触所需语言。

配置日期和时间

配置好语言后，控制面板将显示当前日期和时间。如果日期和时间有误，轻触 **OK**（确定）进行设置。如果正确，则轻触 **Exit**（退出）。设置完成后，设备内的实时时钟将显示正确的时间。

步骤 8. 指定 IP 地址

为确保工作正常，应在网络上为设备指定一个有效的 IP 地址。如果您的网络使用的是动态主机配置协议 (DHCP)，系统将自动指定此 IP 地址。DHCP 是数字发送器的默认设置。如果您使用的不是 DHCP，则需要手动指定一个 IP 地址。

查找 DHCP IP 地址

使用以下方法之一查找 DHCP 自动指定的 IP 地址。

- 查看数字发送器控制面板显示屏的左上角。IP 地址应该显示在单词 **Ready**（就绪）旁边。
- 如果 IP 地址未显示在控制面板显示屏上，请按控制面板上的 **MENU**（菜单）按钮。轻触 **INFORMATION**（信息）菜单，然后轻触 **CONFIGURATION**（配置）。数字发送器配置信息显示在触摸屏上。轻触 **OK**（确定）按钮查看 Jetdirect 数据。滚动查看信息，直至您找到 IP 地址。

手动指定 IP 地址

如果您需要为设备指定一个 IP 地址，请按下列说明操作。

1. 按控制面板上的 **MENU**（菜单）按钮。
2. 轻触 **CONFIGURE DEVICE**（配置设备）。
3. 向下滚动并轻触 **I/O**。
4. 向下滚动并轻触 **EMBEDDED JETDIRECT MENU**（内嵌式 JETDIRECT 菜单）。
5. 轻触 **TCP/IP**。
6. 轻触 **CONFIG METHOD**（配置方法）。
7. 轻触 **MANUAL**（手动）。
8. 轻触 **MANUAL SETTINGS**（手动设置）。
9. 轻触 **IP ADDRESS**（IP 地址），然后使用控制面板键盘键入设备的唯一 IP 地址。

步骤 9. 安装和配置软件

在将支持 HP 数字发送软件 (HP DSS) 服务的服务器上安装软件。安装完成后，HP DSS 将作为服务在后台运行。每次重启服务器时它都会自动启动。

注意

数字发送器必须打开电源并连接到网络上，才能成功完成软件安装过程。

开始前准备事项

在软件安装过程中，系统将提示您配置数字发送选项。为完成此配置，您需要下列信息：

- 软件 CD-ROM 标签上的软件许可证密钥
- 从数字发送器发送电子邮件时将用到的 SMTP 电子邮件服务器的主机名或 IP 地址

注意

强烈建议将 SMTP 网关安装在您的局域网中。但是，即使您的电子邮件服务是由外部 Internet 服务提供商 (ISP) 通过数字租用线 (DSL) 提供，您也可以配置您的产品，实现电子邮件功能。

- 用于检索电子邮件地址的 LDAP 服务器的主机名或 IP 地址（可选）
- 设置后将用于发送至文件夹功能的任意文件夹的路径
- 数字发送器的主机名或 IP 地址

注意

此处给出的安装步骤仅适用于基本安装。有关详细信息和高级配置信息，请参阅《HP 9200C Digital Sender 支持指南》。

安装软件

1. 将 HP DSS CD-ROM 放入 CD-ROM 驱动器中。安装程序开始运行后，请在初始屏幕上选择 **Install Now**（立即安装）。

注意

安装程序会自动运行。如果没有，浏览至 CD-ROM 驱动器并运行 SETUP.EXE 文件。

2. 在 **Choose Setup Language**（选择安装语言）对话框中选择一种安装语言。安装向导启动。
3. 在安装 **Welcome**（欢迎）屏幕上，单击 **Next**（下一步）。
4. 单击 **Yes**（是），以表示接受 HP 软件许可条款。
5. 采用默认安装路径，或单击 **Browse**（浏览）以选择别的路径。
6. 软件文件安装完毕后，将出现 **HP MFP Digital Sending Software Configuration Wizard**（HP MFP 数字发送软件配置向导）。

如果是第一次安装 HP 数字发送软件，则该软件可以在设置的时间内以试用模式运行。配置向导第一个屏幕中的 **Licenses**（许可）部分将显示“Trial License”（试用许可）条目。试用期的剩余时间将显示在此条目中。试用期结束后，软件将被禁用，直到安装了一个有效许可证。

要输入许可证密钥，请单击 **Add**（添加）按钮，输入软件 CD-ROM 标签上的许可证号，然后再单击 **OK**（确定）。

7. 在屏幕的 **Administrator Information**（管理员信息）部分，填写管理员联系方式信息。如果您希望在出现错误需要管理员援助时能收到电子邮件通知，则选择 **Notify administrator of critical errors**（通知管理员出现了严重错误）。
8. 单击 **Next**（下一步）进入 **E-Mail Settings**（电子邮件设置）屏幕。
9. 配置电子邮件设置：
 - a. 要在网络中查找 SMTP 服务器，请单击 **Find Servers**（查找服务器）。
 - b. 在出现的对话框中，选择从数字发送器上发送电子邮件时您希望用到的 SMTP 服务器，然后再单击 **OK**（确定）。

注意

如果您想有冗余的服务器，您可以通过在选择服务器时按住 CTRL 键不放选择多台服务器。

- c. 选择您添加的 SMTP 服务器，然后单击 **Test**（测试）测试其功能。如果测试不成功，请与您的网络管理员联系以确定 SMTP 服务器是否正常。

10. 单击 **Next**（下一步）进入 **Secondary E-mail Settings**（辅助电子邮件设置）屏幕。

注意

辅助电子邮件是专为需要特别数据安全措施的解决方案设计的。它不同于常规电子邮件功能，需要第三方电子邮件安全软件程序才能发送电子邮件。以下步骤不包含辅助电子邮件的配置。如果您要启用辅助电子邮件，请参阅《HP 9200C Digital Sender 支持指南》获得相关说明。

11. 单击 **Next**（下一步）进入 **Authentication Settings**（验证设置）屏幕。
12. 验证是一个重要的安全功能。HP 强烈推荐在数字发送器中启用验证功能，以便阻止未经授权的使用。但是，使用数字发送器发送文档时不需要进行验证。如果您此时不想启用验证功能，则跳到步骤 13。

要启用验证功能，请在 **Authentication Method**（验证方法）下拉列表中选择一项。这是设备用于验证用户登录信息的方法。您可以选择以下选项：

- None（无）
- Microsoft Windows
- LDAP server（LDAP 服务器）
- Novell NDS（如果所用的是 Novell 客户机软件）
- Novell Bindery（如果所用的是 Novell 客户机软件）

选择了一个选项后，其它设置将出现在屏幕上。

- a. 单击 **Find Servers**（查找服务器）按钮。出现 **Select LDAP Server**（选择 LDAP 服务器）对话框，该对话框包含网络中的 LDAP 服务器列表。（系统可能会先提示您给出网络登录信息。）
- b. 选择您要使用的 LDAP 服务器。出现关于选定服务器的信息。
- c. 单击 **OK**（确定），接受选定服务器。**Authentication Settings**（验证设置）屏幕中显示服务器信息。
- d. 单击 **Test**（测试）按钮测试设置。在 **Test User Authentication**（测试用户验证）对话框中，输入网络用户的网络登录信息，以便测试 LDAP 能否成功地检索到电子邮件地址。如果测试不成功，请与您的网络管理员联系，以便排除 LDAP 配置的故障。

13. 单击 **Next**（下一步）进入 **Fax Settings**（传真设置）屏幕。

注意

此步骤不包含传真配置。如果您要启用发送至传真功能，请参阅《*HP 9200C Digital Sender 支持指南*》获得相关说明。

14. 单击 **Next**（下一步）进入 **Folder Settings**（文件夹设置）屏幕。

15. 如果您要启用发送至文件夹功能，请选择 **Enable Send to Folder**（启用发送至文件夹）复选框。

- a. 单击 **Add...**（添加...）添加一个新的文件夹。出现 **Add Predefined Folder**（添加预定义文件夹）对话框。
- b. 在 **Alias Name**（别名）文本框中输入文件夹名称。此名称将显示在设备控制面板界面上。
- c. 单击 **Browse...**（浏览...）浏览至文件夹所在位置，然后单击 **OK**（确定）使用它。

注意

文件夹目的地支持的操作系统有：Windows 98、Windows NT、Windows 2000、Windows Server 2003、Windows XP 和 Novell NetWare。

- d. 在 **Access Credentials**（访问证书）下拉列表中，选择您访问文件夹将使用的证书。如果选择 **Public**（公共），程序将从 **Folders Settings**（文件夹设置）屏幕中使用 **Credentials to Access Public Folders**（访问公共文件夹的证书）。如果选择 **MFP User**（MFP 用户），程序将使用用户登录设备时所使用的证书。
- e. 单击 **OK**（确定）保存设置。新文件夹即被添加到列表中。
- f. 重复步骤 a 到 e 添加多个文件夹。
- g. 在 **Folders**（文件夹）选项卡的 **Credentials to Access Public Folders**（访问公共文件夹的证书）区域，输入公共访问证书，以便将文件保存到文件夹中。保存文件夹列表时，您需要使用此信息。

16. 单击 **Next**（下一步）进入 **Workflow Settings**（工作流设置）屏幕。

注意

此步骤不包含工作流配置。如果您要启用发送至工作流，请参阅《*HP 9200C Digital Sender 支持指南*》获得相关说明。

17. 单击 **Next**（下一步）进入 **Addressing Settings**（寻址设置）屏幕。

18. 如果您的网络支持，则选择 **Enable PAB**（启用 PAB）（个人通讯簿）复选框，以便用户在数字发送器上使用他们的 Microsoft Outlook 通讯簿。

注意

这是一个可选功能，它需要经过验证才能在 Microsoft Windows 中启用并设置。还需要 Microsoft Messaging API (MAPI)。有关详细信息，请参阅《*HP 9200C Digital Sender 支持指南*》。

19. 单击 **Next**（下一步）进入 **Preferences Settings**（首选项设置）页面。

20. 再次单击 **Next**（下一步）。将出现一个对话框询问您是否要配置 MFP 以使用该服务。单击 **Yes**（是）。

21. 在 **MFP Configuration**（MFP 配置）屏幕中，单击 **Add...**（添加...）。将出现 **Add MFPs**（添加 MFP）对话框。

22. 单击 **Find MFPs** (查找 MFP) 按钮以查找网络上的所有 MFP 和数字发送器。在出现的列表中选择您要安装的数字发送器。

注意

如果您知道设备的主机名或 IP 地址, 则可以在 **Manually enter an MFP's network name** (手动输入 MFP 网络名) 下的 **Hostname or IP Address** (主机名或 IP 地址) 文本框中输入它, 而不使用 **Find MFPs** (查找 MFP) 按钮。

23. 单击 **Add-->** (添加-->) 按钮, 将设备添加到 **MFP List** (MFP 列表) 中。
24. 单击 **Close** (关闭) 以关闭 **Add MFPs** (添加 MFP) 对话框。此时数字发送器显示在 **MFP Configuration** (MFP 配置) 屏幕的 MFP 列表中。
25. 选择数字发送器并单击 **Configure MFP** (配置 MFP) 按钮。使用 **Configure MFPs** (配置 MFP) 窗口中的设置以启用数字发送器的数字发送选项。
 - a. 选择 **Send to Email** (发送至电子邮件) 选项卡。选择 **Enable Send to Email** (启用发送至电子邮件) 复选框, 然后在 **Send Emails** (发送电子邮件) 下拉列表中选择 **via the Digital Sender service** (通过数字发送器服务)。
 - b. 如果您想让用户在发送电子邮件时能添加他们自己的电子邮件消息, 请单击 **Advanced** (高级) 按钮并选择 **Editable by user** (用户可编辑) 复选框。
 - c. 选择 **Send to Folder** (发送至文件夹) 选项卡, 然后选择 **Enable Send to Folder** (启用发送至文件夹) 复选框。
 - d. 如果您要启用验证功能, 请选择 **Authentication** (验证) 选项卡, 然后再选择 **Enable Authentication** (启用验证) 复选框。如果您不想启用验证功能, 请跳至步骤 f。
 - e. 选择您想为其启用验证的功能。然后从 **Default Domain** (默认域) 下拉框中选择网络域。
 - f. 如果您想让 HP DSS 直接从 LDAP 服务器检索电子邮件地址, 请浏览至 **Addressing** (寻址) 选项卡, 然后选择 **Allow MFP to directly access an LDAP Address Book** (允许 MFP 直接访问 LDAP 通讯簿) 复选框。在 **LDAP Server** (LDAP 服务器) 下拉列表中选择预先配置好的 LDAP 服务器。
 - g. 单击 **OK** (确定) 以保存 MFP 配置设置。

注意

如果您要配置一组数字发送器, 请使用 **MFP Configuration** (MFP 配置) 屏幕中的 **Copy Settings** (复制设置) 按钮从您已配置好的设备中复制设置, 然后再使用 **Paste Settings** (粘贴设置) 按钮将那些设置应用至其它数字发送器中。

26. 单击 **Finish** (完成) 按钮。将出现最终安装屏幕。
27. 单击 **InstallShield Wizard Complete** (InstallShield 向导完成) 屏幕中的 **Finish** (完成) 按钮以完成安装。

步骤 10. 检验产品安装

请使用以下步骤测试设备的安装和配置。

1. 确定设备控制面板显示屏上是否显示电子邮件和文件夹选项。
2. 将文档正面朝上放入 ADF 或正面朝下放在平板玻璃上。
3. 轻触控制面板显示屏上的 **E-MAIL**（电子邮件）。
4. 根据系统提示，输入您的用户名和密码。
5. 如果系统没有提示您登录，轻触 **From:**（发件人：），然后再输入您的电子邮件地址。
6. 轻触 **To:**（收件人：），然后再输入您自己的电子邮件地址。

注意

轻触  以删除所有错误按键输入。

7. 轻触 **OK**（确定）。
8. 按 **START**（开始）。设备将扫描文档并以电子邮件附件形式将其发送给您。
9. 使用 **FOLDER**（文件夹）选项重复此步骤，并确定文件是否发送至正确的文件夹。

如果文档没有正确发送文件，则检查您的产品安装和配置。有关其它信息，请参阅《HP 9200C Digital Sender 用户指南》或《HP 9200C Digital Sender 支持指南》。

如果测试成功，您可立即扫描文档并将它们发送至一个电子邮件地址或一个文件夹。有关如何使用所有发送至选项的详细说明，请参阅《HP 9200C Digital Sender 用户指南》；有关配置所有数字发送功能的详细信息，请参阅《HP 9200C Digital Sender 支持指南》。

3

故障排除和客户支持

如果您在首次安装此设备时遇到问题，请参阅本部分内容。有关高级故障排除，请参阅《HP 9200C Digital Sender 用户指南》或《HP 9200C Digital Sender 支持指南》。

故障排除

使用以下说明来解决在安装数字发送器过程中出现的问题。

问题	采取的措施
数字发送器不能扫描，且屏幕上显示 CHECK CABLES. CHECK SCANNER LOCK. （ 检查电缆。检查扫描仪锁。 ）错误消息。	扫描仪盖锁仍然处于锁定位置。将它切换到未锁定位置。请参阅 步骤 4. 解锁扫描仪盖 。
E-Mail Settings （电子邮件设置）屏幕上的 Find Servers （查找服务器）按钮没有找到任何服务器。	<ul style="list-style-type: none">• 确定您在网络上有一台能正常工作的 SMTP 服务器。• 单击 E-Mail Settings（电子邮件设置）屏幕上的 Add...（添加...）按钮并输入 SMTP 服务器的主机名或 IP 地址。输入地址后，单击 Test（测试）按钮以确定软件能与服务器通讯。• 如果测试服务器不成功，请联系您的网络管理员，让他帮助解决与服务器的通信问题。• 如果您有其它使用 HP DSS 服务器的数字发送器或 MFP，则可以使用 HP MFP DSS 配置实用程序的 MFP Configuration（MFP 配置）选项卡上的 Copy Settings（复制设置）按钮，复制能正常工作的设备上的设置，然后使用 Paste Settings（粘贴设置）按钮将这些设置应用到数字发送器上。
Authentication Settings （验证设置）屏幕中的 Find Servers （查找服务器）按钮没有找到任何服务器。	<ul style="list-style-type: none">• 确定您在网络上有一台能正常工作的 LDAP 服务器。• 在 LDAP Server（LDAP 服务器）文本框中输入 LDAP 服务器的主机名或 IP 地址。输入地址后，请单击 Find Settings（查找设置）按钮检索服务器设置。然后单击 Test（测试）按钮，确定软件能否与服务器通信。• 如果测试服务器失败，请联系您的网络管理员，让他帮助解决与服务器的通信问题。• 如果您有其它使用 HP DSS 服务器的数字发送器或 MFP，则可以使用 HP MFP DSS 配置实用程序的 MFP Configuration（MFP 配置）选项卡上的 Copy Settings（复制设置）按钮，复制能正常工作的设备上的设置，然后使用 Paste Settings（粘贴设置）按钮将这些设置应用到数字发送器上。

问题	采取的措施
数字发送器不工作。	<ul style="list-style-type: none"> ● 确保电源线与设备连接稳固并已插入电源插座。 ● 确保设备电源已打开。 ● 清除控制面板显示屏上出现的任何错误消息。 ● 确定网线与设备连接稳固。 ● 确定设备网络端口上的两个绿色 LED 指示灯中有一个亮起。
扫描的页面空白或有重复图案。	确保玻璃上没有纸张。
图像质量很差。	<ul style="list-style-type: none"> ● 确保您准备发送的文档已正确放置在 ADF 中（正面朝上）或玻璃上（正面朝下）。 ● 如果可能，尝试更改一些扫描设置，如分辨率或文件类型，以便提高图像质量。
ADF 经常出现一次送入多张纸、纸张歪斜或卡纸的现象。	<ul style="list-style-type: none"> ● 调整导板，使它们紧贴纸叠但又不至于将纸叠压弯。 ● ADF 最多可装 50 张纸或更少，这取决于所装的介质类型。 ● 出纸盘最多可装 50 张纸或更少。确保出纸盘中堆放的纸张没有超出上限。 ● 纸张必须平整堆放在 ADF 中。 ● 如果原稿已用订书钉装订或已经过三孔装订，确保纸张没有粘在一起。 ● 装入的介质类型可能不符合要求的规格。有关介质规格的详细信息，请参阅《HP 9200C Digital Sender 用户指南》。
电子邮件没有到达目标电子邮件地址。	<ul style="list-style-type: none"> ● 如果您已在控制面板中输入了电子邮件地址，请重新发送电子邮件消息，确保您输入的地址正确而且格式也正确（没有空格，含有所需的 @ 符号，并且包含要求的句点）。 ● 重新发送电子邮件。确定您在 From:（发件人：）字段中输入的名字格式正确，以免邮件被拒收，并且在电子邮件传送失败后，您也可以收到返回邮件。 ● 请网络管理员检查 SMTP 服务器能否正常工作。
您发送到一个文件夹中的文档没有到达目标文件夹。	<ul style="list-style-type: none"> ● 重新发送文档。 ● 确定文件名称是否已被修改，以便解决重复文件名错误。
发送的页面底部被截切。	如果文档是从玻璃板上发送的，则可能是因为文档页面太长。从玻璃板上扫描的文档最大长度为 A4 或 210 x 297 毫米（8.27 x 11.69 英寸）。

问题	采取的措施
控制面板使用了错误语言。	使用控制面板菜单设置正确语言。 <ol style="list-style-type: none"> 1. 按下 MENU（菜单）按钮。 2. 在控制面板显示屏上选择 CONFIGURE DEVICE（配置设备）（第三个菜单项）。 3. 轻触 SYSTEM SETUP（系统设置）（第四个菜单项）。 4. 向下滚动并轻触 LANGUAGE（语言）（最后一个菜单项）。 5. 轻触正确语言。

客户支持

有关产品的其它信息，请参阅 CD-ROM 上的《HP 9200C Digital Sender 用户指南》或《HP 9200C Digital Sender 支持指南》。有关 HP 客户服务信息，请参阅产品附带的支持传单。您还可以访问 <http://www.hp.com/support/9200c>，获得更多信息。

FCC 规则

此设备经测试符合 FCC 规则第 15 部分的 B 级数字设备限制规定。在住宅区安装时，这些限制为防止有害干扰提供了合理保护。本设备产生、使用并会发射无线电频能量。如果没有按照说明安装和使用本设备，它将对无线电通信造成有害干扰。但是，不能保证采用一种特殊安装便可避免造成干扰；用户可以通过关闭和开启该设备来确定是否存在干扰。如果本设备对收音机或电视通讯造成了有害干扰，则鼓励用户尝试采用以下一种或多种措施来调整干扰：

- 重新调整接收天线的方向或位置。
- 加大设备和无线电接收设备之间的距离。
- 将设备连接到与接收设备所用电路不同的电源插座上。
- 咨询代理商或经验丰富的收音机/电视机技术人员。

注意

未经 HP 书面批准而对设备进行任何更改或修改都将导致用户不能操作此设备。

索引

A

ADF

- 功能 1
- 故障排除 25
- 纸槽, 位置 9

安装

- 测试 21
- 关于 2
- 核对表 2
- 控制面板贴面 10
- 软件 17
- 要求 3

B

- 帮助, 联机 2
- 包装内物品 6
- 边距, 扫描 1
- 部件, 位置 9

C

- 操作环境要求 7
- 操作系统要求 8
- 测试安装 21
- 查找服务器, 故障排除 24
- 出纸槽 9

D

- DHCP IP 地址 16
- DSS, 安装 17
- 打开数字发送器包装 6
- 扫描仪盖锁
 - 解锁 12
 - 位置 9
- 电缆, 连接 13
- 电源开关 9
- 电源线, 连接 14
- 电子邮件
 - 发送至 21
 - 故障排除 25

E

- EIO 端口 9

F

- FCC 声明 28

ZHCN

- 服务器, 故障排除 24

G

- 功能 1
- 故障排除
 - ADF 25
 - 查找服务器 24
 - 电子邮件 25
 - 截切页面 25
 - 空白页面 25
 - 扫描失败错误 24
 - 数字发送 25
 - 图像质量 25
 - 文件夹 25
- 规格, 功能 1
- 规则说明
 - FCC 28

H

- HP DSS, 安装 17
- 环境要求 7

I

- IP 地址, 指定 16

J

- 检验安装 21
- 截切页面, 故障排除 25
- 解锁扫描仪盖 12
- 进纸槽 9

K

- 卡纸释放按钮 9
- 客户支持 27
- 空白页面, 故障排除 25
- 控制面板
 - 贴面 10
 - 位置 9
 - 语言设置 15

L

- 连接网线 13
- 联机帮助 2

N

内存 1
内置 HP Jetdirect 1
内置 Jetdirect 1

R

日期, 设置 15
软件, 安装 17

S

SMTP 服务器, 故障排除 24
扫描失败错误 24
设置
 IP 地址 16
 日期和时间 15
 语言 15
湿度要求 7
时间, 设置 15
释放按钮, 卡纸 9
手册 2
说明文档 2
锁定, 扫描仪
 解锁 12
 位置 9

T

贴面, 控制面板 10
图像质量, 故障排除 25

W

网卡, 包括 1
网络端口 9
网络要求 8
网线, 连接 13
网站, 支持 2
温度要求 7
文件夹, 故障排除 25

X

系统要求 7
箱内物品 6
序列号, 位置 9

Y

硬件要求 7
硬盘 1
用户指南 2
语言, 控制面板
 更改 15
 贴面, 安装 10

Z

支持 27
支持指南 2
纸槽 9
质量, 故障排除 25

HP 9200C Digital Sender

Bahasa
Indonesia

Panduan Memulai _____

Hak Cipta dan Lisensi

© 2004 Hak Cipta Hewlett-Packard
Development Company, LP

Dilarang memperbanyak, mengadaptasi,
atau menerjemahkan tanpa ijin tertulis
sebelumnya, kecuali sejauh yang
diperbolehkan oleh undang-undang hak
cipta.

Informasi yang terkandung di dalam
dokumen ini dapat berubah sewaktu-waktu
tanpa pemberitahuan sebelumnya.

Satu-satunya garansi untuk produk dan
layanan HP tercantum dalam pernyataan
garansi singkat yang disertakan dengan
produk dan layanan tersebut. Tidak ada
yang terkandung di sini yang dapat
ditafsirkan sebagai garansi tambahan HP.
HP tidak bertanggung jawab atas
kesalahan atau kekurangan teknis atau
editorial yang terkandung di sini.

Nomor komponen: Q5916-90905

Edition 1, 11/2004

Pemilik Merek Dagang

Microsoft® dan Windows® adalah merek
dagang terdaftar di A.S. dari Microsoft
Corporation.

Pentium® adalah merek dagang terdaftar
dari Intel Corporation atau anak
perusahaannya di Amerika Serikat dan
negara/kawasan lainnya.

Isi

1 Pendahuluan

Di mana harus mencari informasi	2
Daftar pemeriksaan instalasi	2
Sebelum Anda memulai	3

2 Membuat pengaturan

Langkah 1. Membuka kemasan dan memeriksa isi kemasan	6
Langkah 2. Persyaratan instalasi dan komponen produk	7
Persyaratan lingkungan	7
Persyaratan sistem	7
Mengenali komponen produk	9
Langkah 3. Mengganti tutup tampilan panel kendali	10
Langkah 4. Buka kunci kepala pemindai	12
Langkah 5. Menyambungkan kabel jaringan	13
Langkah 6. Menyambungkan kabel daya	14
Langkah 7. Mengatur konfigurasi pengaturan panel kendali	15
Mengatur konfigurasi bahasa panel kendali	15
Mengatur konfigurasi tanggal dan waktu	15
Langkah 8. Menetapkan alamat IP	16
Mencari alamat IP DHCP	16
Menetapkan alamat IP secara manual	16
Langkah 9. Menginstalasi dan mengatur konfigurasi perangkat lunak	17
Sebelum Anda memulai	17
Untuk menginstalasi perangkat lunak	17
Langkah 10. Memeriksa instalasi produk	22

3 Pemecahan masalah dan dukungan pelanggan

Pemecahan masalah	24
Dukungan pelanggan	28
Peraturan FCC	29

Indeks

1

Pendahuluan

Selamat atas pembelian HP 9200C Digital Sender (Pengirim Digital) Anda, tambahan bernilai untuk proses manajemen-content Anda. Pengirim digital memindai segala jenis dokumen dan mengirimkannya ke alamat e-mail, faks tujuan, atau folder jaringan. Pengirim digital dapat juga diatur untuk mengirimkan dokumen ke tujuan workflow, beserta file metadata yang berisi informasi workflow yang tertangkap di panel kendali perangkat. Dengan menggunakan fitur ini, pengirim digital dapat menjadi antarmuka untuk berbagai program manajemen-content termasuk Microsoft® SharePoint, Documentum, Filenet, dan Lotus Domino. Dengan menggunakan perangkat lunak tambahan seperti HP Autostore, pengirim digital dapat juga mengirimkan dokumen melalui workflow yang lebih kompleks yang melibatkan komponen seperti pengenalan bar code atau Pengenalan Karakter Optik (OCR).

Pengirim digital dilengkapi dengan sejumlah fitur berikut ini:

- **Pengiriman digital**—Mengirim file yang terpindai ke alamat e-mail, faks tujuan, folder jaringan, dan folder workflow. Fungsi pengiriman-digital dijalankan oleh HP Digital Sender Software (HP DSS), yang disertakan dengan pengirim digital.
- **Pemindai alas datar**—Pemindai berukuran letter/A4 dapat memindai dokumen hitam-putih dan berwarna, dan dapat memindai bidang penuh halaman dalam 1 mm (0,04 inci) dari tepi kertas.
- **Panel kendali layar sentuh interaktif**—Menu dan wizard intuitif pada layar membantu dalam menjalankan tugas pengiriman digital.
- **Pengumpan dokumen otomatis (ADF)**—ADF berukuran legal menerima sampai 50 halaman, dan dilengkapi dupleks terpasang untuk memindai kedua sisi dokumen bolak-balik.
- **Memori**—Perangkat dilengkapi dengan random access memory (RAM) 128 megabyte (MB).
- **Hard disk**—Perangkat dilengkapi dengan hard drive internal 20-gigabyte (GB) untuk menyimpan dokumen dan pengaturan.
- **Konektivitas**—Sebuah port 10/100Base-T dan celah perluasan masukan/keluaran (EIO) tersedia untuk konektivitas.
- **HP Jetdirect Terpadu**—Sebuah print server HP Jetdirect disatukan langsung pada perangkat untuk keandalan konektivitas jaringan.

Di mana harus mencari informasi

Jelajahi sumber-sumber dokumentasi berikut ini untuk mempelajari cara menggunakan HP 9200C Digital Sender.

Panduan memulai (dokumen ini)—Berisi petunjuk langkah-demi-langkah untuk menginstalasi dan membuat pengaturan pengirim digital.



Panduan pengguna dan panduan dukungan— *HP 9200C Digital Sender User Guide* (nomor komponen Q5916-90910) berisi informasi tentang penggunaan pengirim digital dan pemecahan masalah. *HP 9200C Digital Sender Support Guide* (nomor komponen Q5916-90930) berisi informasi konfigurasi dan petunjuk administrasi yang lebih terperinci. Kedua panduan tersebut tersedia pada CD dokumentasi yang disertakan dengan pengirim digital. Keduanya juga tersedia di Web di <http://www.hp.com/support/9200c>.



Bantuan Online—Utility DSS Configuration (Konfigurasi DSS) HP MFP dilengkapi bantuan online yang berisi informasi tentang pilihan pengiriman-digital.

Daftar pemeriksaan instalasi

Panduan ini membantu Anda membuat pengaturan dan menginstalasi produk baru Anda. Untuk instalasi yang benar, selesaikan setiap langkahnya, secara urut.

Langkah 1: Membuka kemasan produk.

Langkah 2: Memeriksa persyaratan instalasi dan komponen produk.

Langkah 3: Mengganti tutup tampilan panel kendali (opsional).

Langkah 4: Membuka kunci kepala pemindai pengirim-digital.

Langkah 5: Menyambungkan kabel jaringan.

Langkah : Menyambungkan kabel daya.

Langkah 7: Mengatur konfigurasi pengaturan panel kendali.

Langkah 8: Menetapkan alamat IP perangkat.

Langkah 9: Menginstalasi dan mengatur konfigurasi perangkat lunak.

Langkah 10: Memeriksa instalasi produk.

Sebelum Anda memulai

Selama prosedur instalasi perangkat lunak, Anda diminta untuk mengatur konfigurasi pilihan pengiriman-digital. Untuk dapat menyelesaikan konfigurasi ini, Anda memerlukan informasi berikut:

- Kunci lisensi perangkat lunak dari label pada CD-ROM perangkat lunak
- Nama host atau alamat Internet Protocol (IP) dari server e-mail simple mail transfer protocol (SMTP) yang akan digunakan untuk mengirimkan e-mail dari pengirim digital
- Nama host atau alamat IP dari server Lightweight Directory Access Protocol (LDAP) yang akan digunakan untuk mengambil alamat e-mail (opsional)
- Path untuk semua folder yang akan dibuat pengaturannya untuk fitur kirim-ke-folder
- Nama host atau alamat IP dari pengirim digital

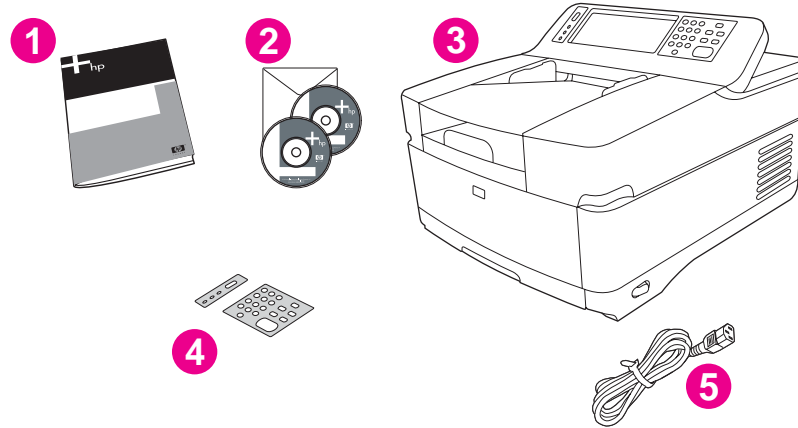
2

Membuat pengaturan

Ikuti langkah-langkah ini untuk membuat pengaturan dan mengkonfigurasi pengirim digital. Jika Anda memerlukan informasi lebih terperinci tentang cara menggunakan atau mengatur konfigurasi perangkat ini, simak *HP 9200C Digital Sender User Guide (Panduan Pengguna)* atau *HP 9200C Digital Sender Support Guide (Panduan Dukungan)*.

Langkah 1. Membuka kemasan dan memeriksa isi kemasan

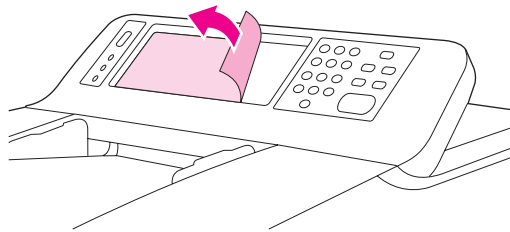
Barang-barang berikut ini dikirimkan di dalam kotak bersama dengan pengirim digital.



- 1 Panduan memulai
- 2 CD-ROM perangkat lunak HP DSS dan dokumentasi pengirim digital
- 3 Pengirim digital
- 4 Tutup tampilan panel kendali (opsional)
- 5 Kabel daya

Ikuti petunjuk berikut ini untuk membuka kemasan pengirim digital.

1. Angkat keluar perangkat dari kotaknya dan lepaskan semua kantong pengiriman.
2. Lepaskan semua pita perekat dan bahan kemasan dari ADF.
3. Lepaskan lapisan film pelindung dari tampilan panel kendali.



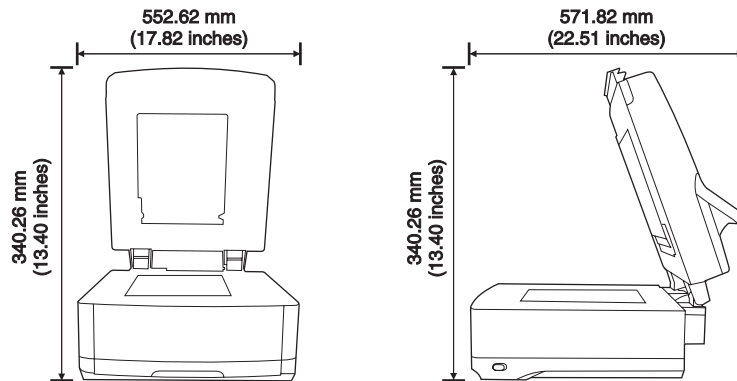
Langkah 2. Persyaratan instalasi dan komponen produk

Pastikan bahwa kondisi lingkungan dan jaringan yang sesuai tersedia untuk instalasi pengirim digital.

Persyaratan lingkungan

- Lingkungan yang stabil tanpa perubahan suhu atau kelembaban
- Suhu ruangan 0 s/d 40°C (32 s/d 104°F)
- Kelembaban relatif 15 s/d 80% tanpa pengembunan
- Permukaan yang kokoh, rata
- Ruangan yang berventilasi-cukup tanpa terpapar bahan kimia atau cahaya matahari langsung

Perhatikan persyaratan ruang berikut ini sewaktu menginstalasi pengirim digital.



Perhatikan

Pengirim digital memerlukan jarak ruang 90 mm (3,5 inci) di belakang perangkat untuk dapat membuka penuh bagian atasnya.

Persyaratan sistem

Spesifikasi sistem berikut diperlukan untuk produk ini.

Persyaratan perangkat keras

Perangkat lunak pengiriman digital memiliki persyaratan perangkat keras berikut ini untuk server yang mendukung **kurang dari 50** perangkat pengiriman digital (pengirim digital MFP atau 9200C):

- PC dengan prosesor Pentium® 3 atau lebih tinggi
- RAM 512 MB

Perangkat lunak pengiriman digital memiliki persyaratan perangkat keras berikut ini untuk server yang mendukung **50 s/d 250** perangkat pengiriman digital:

- PC dengan prosesor Pentium® 4 2 GHz atau lebih tinggi
- RAM 1 GB

Perhatikan

Anda harus memiliki hak akses Administratif pada server untuk dapat menginstalasi perangkat lunak.

Persyaratan sistem jaringan

Perangkat lunak pengiriman digital memiliki persyaratan jaringan berikut ini:

- Windows® 2000 Professional, Server, atau Advanced Server; Windows XP Professional; atau Windows Server 2003 Standard atau Enterprise Server
- Fast Ethernet 100Base-TX atau Ethernet 10Base-T
- Akses ke sebuah gateway e-mail SMTP

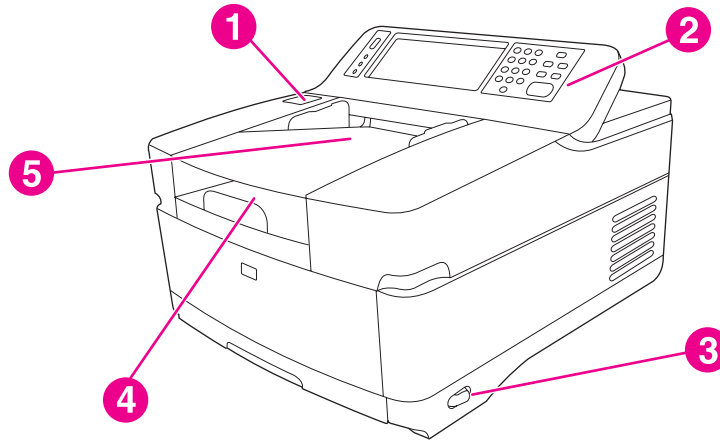
Perhatikan

Sangat dianjurkan bahwa gateway SMTP tersebut terletak di local area network (LAN) Anda sendiri. Tetapi, Anda dapat mengatur konfigurasi produk Anda untuk fungsionalitas e-mail meskipun jika layanan mail Anda disediakan oleh Internet service provider (ISP) luar melalui jalur digital subscription line (DSL).

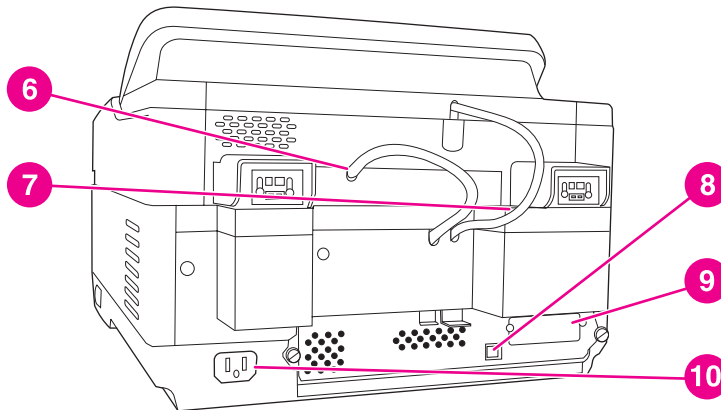
- Akses ke server LDAP jaringan untuk mendukung otentikasi pengguna opsional

Mengenali komponen produk

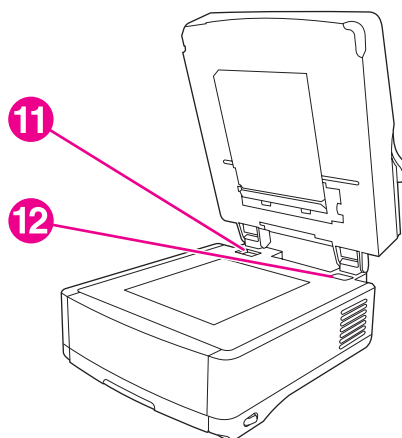
Ilustrasi berikut ini menunjukkan lokasi dan nama dari komponen utama produk.



- 1 Tombol pelepas macet
- 2 Panel kendali
- 3 Saklar hidup/mati
- 4 Nampan keluaran
- 5 Nampan masukan ADF



- 6 Kabel ADF
- 7 Kabel panel kendali
- 8 Port jaringan 10/100Base-T
- 9 Port EIO
- 10 Konektor daya

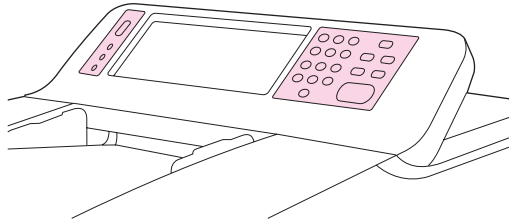


- 11 Kunci pemindai
- 12 Nomor seri

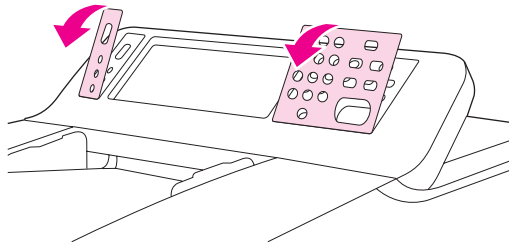
Langkah 3. Mengganti tutup tampilan panel kendali

Perangkat dilengkapi dengan tutup tampilan yang terpasang pada panel kendali, dan tutup tampilan untuk bahasa yang berbeda mungkin disertakan di dalam kotak. Bila perlu, gunakan prosedur berikut ini untuk mengganti tutup tampilan panel kendali untuk mendukung bahasa yang Anda inginkan.

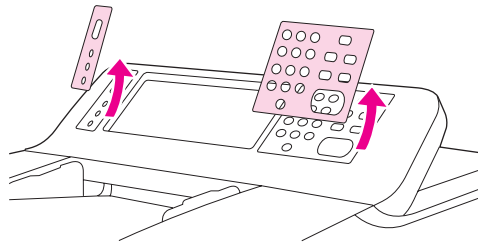
1. Temukan kedua tutup tampilan panel kendali.



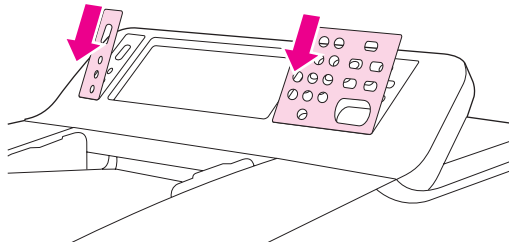
2. Selipkan obeng minus kecil atau alat tipis lainnya ke dalam celah di tepi atas salah satu tutup tampilan untuk menarik bagian atasnya dari panel kendali.



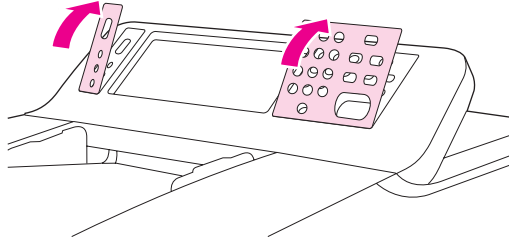
3. Angkat tutup tampilan ke atas dan belakang untuk melepaskannya dari produk.



4. Letakkan tutup tampilan baru di atas panel kendali. Atur ujung tutup tampilan tepat pada lubang pada panel kendali dan selipkan masuk tutup tampilan kedalamnya.



5. Jepit tutup tampilan dengan kuat pada panel kendali. Pastikan bahwa tutup tampilan menempel rata pada panel kendali.

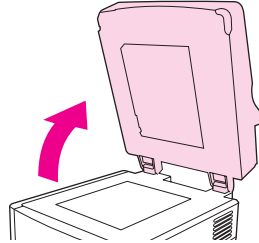


6. Ulangi langkah 2 sampai 5 untuk mengganti tutup tampilan kedua.

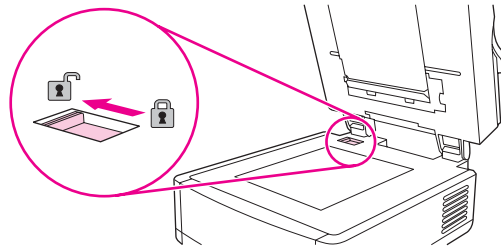
Langkah 4. Buka kunci kepala pemindai

Kepala pemindai dikunci untuk mencegah kerusakan selama pengiriman. Ikuti petunjuk berikut ini untuk membuka kuncinya.

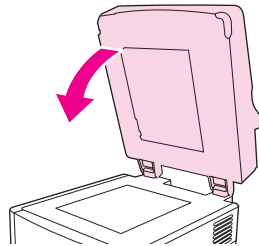
1. Buka bagian atas dari pengirim digital.



2. Buka kunci kepala pemindai.

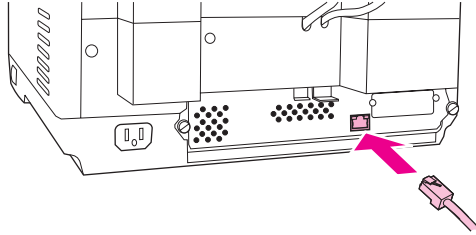


3. Tutup bagian atas pengirim digital.



Langkah 5. Menyambungkan kabel jaringan

Gunakan konektor RJ-45 di bagian belakang perangkat untuk menyambungkan produk ke jaringan Fast Ethernet 100Base-TX atau Ethernet 10Base-T.

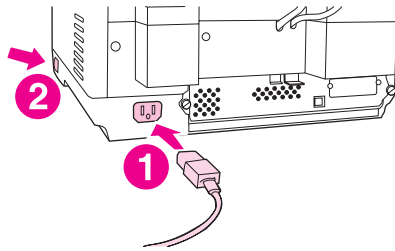


Langkah 6. Menyambungkan kabel daya

1. Sambungkan kabel daya ke konektor kabel daya produk. Kemudian sambungkan kabel daya ke stopkontak arus bolak-balik (ac) yang memadai.

Perhatikan

Produk ini dapat beroperasi menggunakan daya 110/120 volt (V), 60 hertz (Hz) atau 220/240 V, 50 Hz.



2. Aktifkan produk dengan menggunakan tombol daya. Setelah pemanasan produk, prompt akan ditampilkan yang meminta Anda untuk mengatur bahasa tampilan panel kendali Anda (simak [Langkah 7. Mengatur konfigurasi pengaturan panel kendali](#)).

Langkah 7. Mengatur konfigurasi pengaturan panel kendali

Apabila perangkat diaktifkan untuk pertama kalinya, tampilan panel kendali menampilkan prompt untuk mengatur bahasa, tanggal dan waktu.

Mengatur konfigurasi bahasa panel kendali

Secara standar, panel kendali pada produk menampilkan pesan dalam bahasa Inggris. Anda dapat menggunakan menu panel kendali untuk mengatur konfigurasi produk untuk menampilkan pesan dalam bahasa lain yang didukung. Apabila produk diaktifkan untuk pertama kalinya, menu **LANGUAGE** (Bahasa) ditampilkan pada tampilan panel kendali. Pilih bahasa untuk melanjutkan.

Perhatikan

Jika tidak ada bahasa yang dipilih dalam 60 detik, bahasa Inggris diatur sebagai bahasa yang digunakan, dan setiap perubahan bahasa harus dilakukan menggunakan proses di bawah ini.

Ikuti petunjuk berikut ini untuk mengganti bahasa panel kendali.

1. Tekan tombol **MENU** pada panel kendali.
2. Sentuh **CONFIGURE DEVICE** (pilihan menu ketiga).
3. Sentuh **SYSTEM SETUP** (pilihan menu keempat).
4. Gulir ke bawah dan sentuh **LANGUAGE** (pilihan menu terakhir).
5. Sentuh bahasa yang diinginkan.

Mengatur konfigurasi tanggal dan waktu

Setelah mengatur konfigurasi bahasa, tampilan panel kendali menampilkan tanggal dan waktu sekarang. Jika tanggal dan waktunya salah, sentuh **OK** untuk mengaturnya. Jika benar, sentuh **Exit** (Keluar). Setelah diatur, jam waktu-sebenarnya di dalam perangkat akan selalu menampilkan waktu yang benar.

Langkah 8. Menetapkan alamat IP

Untuk dapat berfungsi dengan benar, alamat IP perangkat harus ditetapkan pada jaringan Anda. Jika jaringan Anda menggunakan protokol konfigurasi dinamis (DHCP), alamat IP ini dapat ditetapkan secara otomatis. DHCP adalah pengaturan standar dalam pengirim digital. Jika Anda tidak menggunakan DHCP, Anda harus menetapkan alamat IP secara manual.

Mencari alamat IP DHCP

Gunakan salah satu metode di bawah ini untuk mencari alamat IP yang telah ditetapkan secara otomatis oleh DHCP.

- Lihat di sudut kiri-atas tampilan panel kendali pengirim digital. Di samping kata **Ready** (Siap) alamat IP seharusnya ditampilkan.
- Jika alamat IP tidak ditampilkan pada tampilan panel kendali, tekan tombol **MENU** pada panel kendali. Sentuh menu **INFORMATION** (Informasi), kemudian sentuh **CONFIGURATION** (Konfigurasi). Informasi konfigurasi pengirim digital ditampilkan pada layar sentuh. Sentuh tombol OK untuk melihat data **Jetdirect**. Gulir di antara informasi sampai Anda menemukan alamat IP.

Menetapkan alamat IP secara manual

Jika Anda perlu menetapkan alamat IP pada perangkat, ikuti petunjuk berikut ini.

1. Tekan tombol **MENU** pada panel kendali.
2. Sentuh **CONFIGURE DEVICE**.
3. Gulir ke bawah dan sentuh **I/O**.
4. Gulir ke bawah dan sentuh **EMBEDDED JETDIRECT MENU**.
5. Sentuh **TCP/IP**.
6. Sentuh **CONFIG METHOD**.
7. Sentuh **MANUAL**.
8. Sentuh **MANUAL SETTINGS**.
9. Sentuh **IP ADDRESS** dan gunakan papan tombol panel kendali untuk menuliskan alamat IP unik untuk perangkat.

Langkah 9. Menginstalasi dan mengatur konfigurasi perangkat lunak

Lakukan instalasi perangkat lunak pada server yang akan mendukung layanan HP Digital Sender Software (HP DSS). Setelah instalasi, HP DSS dijalankan di latar belakang sebagai sebuah layanan. Ia otomatis dijalankan apabila server dijalankan ulang.

Perhatikan

Pengirim digital harus diaktifkan dan terhubung ke jaringan untuk dapat menyelesaikan proses instalasi perangkat lunak.

Sebelum Anda memulai

Selama prosedur instalasi perangkat lunak, Anda diminta untuk mengatur konfigurasi pilihan pengiriman-digital. Untuk dapat menyelesaikan konfigurasi ini, Anda memerlukan informasi berikut:

- Kunci lisensi perangkat lunak dari label pada CD-ROM perangkat lunak
- Nama host atau alamat Internet Protocol (IP) dari server e-mail SMTP yang akan digunakan untuk mengirimkan e-mail dari pengirim digital

Perhatikan

Sangat dianjurkan bahwa gateway SMTP tersebut terletak di local area network (LAN) Anda sendiri. Tetapi, Anda dapat mengatur konfigurasi produk Anda untuk fungsionalitas e-mail meskipun jika layanan mail Anda disediakan oleh Internet service provider (ISP) luar melalui jalur digital subscription line (DSL).

- Nama host atau alamat IP dari server LDAP yang akan digunakan untuk mengambil alamat e-mail (opsional)
- Path untuk semua folder yang akan dibuat pengaturannya untuk fitur kirim-ke-folder
- Nama host atau alamat IP dari pengirim digital

Perhatikan

Langkah instalasi yang diberikan di sini hanya untuk instalasi dasar. Untuk keterangan lebih terperinci, dan informasi konfigurasi lebih lanjut, simak *HP 9200C Digital Sender Support Guide* (Panduan Dukungan).

Untuk menginstalasi perangkat lunak

1. Masukkan CD-ROM HP DSS ke dalam CD-ROM drive. Pada saat program membuat pengaturan dijalankan, pilih **Install Now** pada layar pembuka.

Perhatikan

Program membuat pengaturan akan otomatis dijalankan. Jika tidak, gulir ke CD-ROM drive dan jalankan file SETUP.EXE.

2. Pada kotak dialog **Choose Setup Language** (Pilih Bahasa Membuat Pengaturan), pilih bahasa untuk instalasi. Wizard membuat pengaturan akan dijalankan.
3. Pada layar **Pembuka** instalasi, klik **Next** (Lanjut).
4. Terima persyaratan lisensi perangkat lunak HP dengan klik pada **Yes** (Ya).
5. Terima lokasi instalasi standar, atau klik **Browse** (Gulir) untuk memilih lokasi lain.

6. Setelah file perangkat lunak terinstalasi, **HP MFP Digital Sending Software Configuration Wizard** ditampilkan.

Apabila Perangkat Lunak HP Digital Sender diinstalasi untuk pertama kalinya, perangkat lunak dapat bekerja dalam modus percobaan selama jangka waktu yang ditentukan. Bagian **Licenses** (Lisensi) pada layar pertama Wizard Konfigurasi menampilkan entri "Lisensi Percobaan". Jangka waktu percobaan yang tersisa ditampilkan pada entri ini. Apabila jangka waktu percobaan habis, perangkat lunak akan dinonaktifkan sampai lisensi yang berlaku didapatkan.

Untuk memasukkan kunci lisensi klik tombol **Add** (Tambahkan), tuliskan kunci kode lisensi dari label pada CD-ROM perangkat lunak, kemudian klik **OK**.

7. Di bagian **Administrator Information** pada layar, isikan informasi kontak administrator. Pilih kotak penanda **Notify administrator of critical errors** jika Anda ingin mendapat pemberitahuan melalui e-mail tentang error yang memerlukan bantuan administrator.
8. Klik **Next** untuk melanjutkan ke layar **E-Mail Settings** (Pengaturan E-Mail).
9. Mengatur konfigurasi e-mail:
 - a. Klik **Find Servers** (Cari Server) untuk menemukan server SMTP pada jaringan.
 - b. Pada kotak dialog yang ditampilkan, pilih server SMTP yang akan Anda gunakan untuk mengirim e-mail dari pengirim digital, kemudian klik **OK**.

Perhatikan

Jika Anda menginginkan beberapa server, Anda dapat memilih lebih dari satu server dengan menahan tombol CTRL sewaktu memilih server.

- c. Pilih server SMTP yang Anda tambahkan dan klik **Test** untuk menguji fungsionalitasnya. Jika tes ini tidak berhasil, hubungi administrator jaringan Anda untuk memastikan fungsionalitas server SMTP.
10. Klik **Next** untuk melanjutkan ke layar **Secondary E-Mail Settings** (Pengaturan E-Mail Sekunder).

Perhatikan

E-mail Sekunder diperlukan untuk solusi yang memerlukan langkah keamanan data ekstra. E-mail ini berbeda dari fitur e-mail biasa dalam arti ia memerlukan program perangkat lunak keamanan pihak ketiga untuk dapat mengirimkan e-mail. Pengaturan konfigurasi E-mail Sekunder tidak termasuk di dalam prosedur ini. Jika Anda merencanakan untuk mengaktifkan E-mail Sekunder, simak petunjuknya pada *HP 9200C Digital Sender Support Guide* (Panduan Dukungan).

11. Klik **Next** untuk melanjutkan ke layar **Authentication Settings** (Pengaturan Otentikasi).
12. Otentikasi adalah fitur keamanan yang penting. HP menganjurkan pengaktifan otentikasi pada pengirim digital untuk mencegah penyalahgunaan. Meskipun demikian, otentikasi tidak diperlukan untuk mengirim dokumen menggunakan pengirim digital. Jika Anda tidak ingin mengaktifkan otentikasi pada saat ini, langsung ke Langkah 13.

Untuk mengaktifkan otentikasi, mulai dengan menentukan pilihan dari daftar buka-bawah **Authentication Method** (Metode Otentikasi). Ini adalah metode yang digunakan perangkat untuk verifikasi identitas log in pengguna. Tersedia pilihan berikut ini.

- Tidak ada
- Microsoft Windows
- Server LDAP

- Novell NDS (jika ada perangkat lunak klien Novell)
- Novell Bindery (jika ada perangkat lunak klien Novell)

Setelah Anda menentukan pilihan, pengaturan selebihnya ditampilkan pada layar.

- Klik tombol **Find Servers** (Cari Server). Kotak dialog **Select LDAP Server** (Pilih Server LDAP) ditampilkan, berisi daftar server LDAP pada jaringan. (Anda mungkin diminta untuk memberikan informasi log in Anda.)
- Pilih server LDAP yang Anda ingin gunakan. Informasi tentang server yang dipilih ditampilkan.
- Klik **OK** untuk menerima server yang dipilih. Informasi server diisikan pada layar **Authentication Settings** (Pengaturan Otentikasi).
- Klik tombol **Test** untuk menguji pengaturan. Pada kotak dialog **Test User Authentication** (Tes Otentikasi Pengguna), tuliskan identitas logon jaringan seorang pengguna jaringan untuk menguji apakah LDAP dapat mengambil alamat e-mail. Jika tes ini tidak berhasil, hubungi administrator jaringan Anda untuk memecahkan masalah konfigurasi LDAP.

13. Klik **Next** untuk melanjutkan ke layar **Fax Settings** (Pengaturan Faks).

Perhatikan

Pengaturan konfigurasi faks termasuk di dalam prosedur ini. Jika Anda merencanakan untuk mengaktifkan pengiriman ke faks, simak petunjuknya pada *HP 9200C Digital Sender Support Guide* (Panduan Dukungan).

14. Klik **Next** untuk melanjutkan ke layar **Folder Settings** (Pengaturan Folder).

15. Jika Anda ingin fitur kirim-ke-folder tersedia, tandai kotak penanda **Enable Send to Folder**.

- Klik **Add...** untuk menambahkan folder baru. Kotak dialog **Add Predefined Folder** ditampilkan.
- Tulis nama folder tersebut ke dalam kotak teks **Alias Name** (Nama Alias). Nama ini ditampilkan pada antarmuka panel kendali.
- Klik **Browse...** untuk bergulir ke lokasi folder, kemudian klik **OK** untuk menerimanya.

Perhatikan

Sistem operasi yang didukung untuk folder tujuan adalah Windows 98, Windows NT, Windows 2000, Windows Server 2003, Windows XP, dan Novell NetWare.

- Pada daftar buka-bawah **Access Credential**, pilih identitas yang Anda ingin gunakan untuk mengakses folder tersebut. Jika **Public** dipilih, program menggunakan **Credentials to Access Public Folders** (Identitas untuk Mengakses Folder Umum) dari layar **Pengaturan Folder**. Jika **MFP User** (Pengguna MFP) dipilih, program menggunakan identitas yang digunakan oleh pengguna untuk log in.
- Klik **OK** untuk menyimpan pengaturan tersebut. Folder yang baru ditambahkan ke dalam daftar.
- Ulangi langkah a sampai e untuk menambahkan folder lain.
- Pada bidang **Credentials to Access Public Folders** dari tab **Folders**, tuliskan identitas akses publik untuk menyimpan file ke dalam folder. Informasi ini diperlukan sebelum Anda dapat menyimpan daftar folder.

16. Klik **Next** untuk melanjutkan ke layar **Workflow Settings** (Pengaturan Workflow).

Perhatikan

Pengaturan konfigurasi Workflow tidak termasuk di dalam prosedur ini. Jika Anda merencanakan untuk mengaktifkan workflow, simak petunjuknya pada *HP 9200C Digital Sender Support Guide* (Panduan Dukungan).

17. Klik **Next** untuk melanjutkan ke layar **Addressing Settings** (Pengaturan Alamat).

18. Jika jaringan Anda mendukungnya, pilih kotak penanda **Enable PABs** (Buku Alamat Pribadi) yang memungkinkan pengguna menggunakan buku alamat Microsoft Outlook mereka pada pengirim digital.

Perhatikan

Ini adalah fitur opsional yang memerlukan pengaktifan otentikasi dan diatur ke Microsoft Windows. Microsoft Messaging API (MAPI) juga diperlukan. Simak *HP 9200C Digital Sender Support Guide* (Panduan Dukungan) untuk informasi lebih lanjut.

19. Klik **Next** untuk melanjutkan ke layar **Preferences Settings** (Pengaturan Preferensi).

20. Klik **Next** kembali. Kotak dialog ditampilkan menanyakan apakah Anda ingin mengatur konfigurasi MFP untuk memanfaatkan layanan tersebut. Klik **Yes** (Ya).

21. Pada layar **MFP Configuration** (Konfigurasi MFP), klik **Add...** Kotak dialog **Add MFPs** (Tambahkan MFP) ditampilkan.

22. Klik tombol **Find MFPs** (cari MFP) untuk menemukan semua MFP dan pengirim digital dalam jaringan. Pilih pengirim digital yang Anda instalasi dari daftar yang ditampilkan.

Perhatikan

Jika Anda tahu nama host atau alamat IP perangkat, Anda dapat menuliskannya pada kotak teks **Hostname or IP Address** di bawah **Manually enter an MFP's network name** daripada menggunakan tombol **Find MFPs**.

23. Klik tombol **Add-->** untuk menambahkan perangkat ke **MFP List** (Daftar MFP).

24. Klik **Close** untuk menutup kotak dialog **Add MFPs**. Pengirim digital akan muncul dalam daftar MFP pada layar **MFP Configuration**.

25. Pilih pengirim digital lalu klik tombol **Configure MFP**. Gunakan pengaturan pada jendela **Configure MFPs** untuk mengaktifkan pilihan pengiriman digital pada pengirim digital.

- a. Pilih tab **Send to Email** (Kirim ke Email). Pilih kotak penanda **Enable Send to Email** (Aktifkan Kirim ke Email), kemudian pilih **via the Digital Sender service** dari daftar buka-bawah **Send Emails**.
- b. Jika Anda ingin pengguna dapat menambahkan pesan e0mail mereka sendiri apabila mengirimkan e-mail, klik tombol **Advanced** lalu pilih kotak penanda **Editable by user** (Dapat diedit oleh pengguna).
- c. Pilih tab **Send to Folder** kemudian pilih kotak penanda **Enable Send to Folder** (aktifkan Kirim ke Folder).
- d. Jika Anda mengaktifkan otentikasi, pilih tab **Authentication** lalu pilih kotak penanda **Enable Authentication** (Aktifkan Otentikasi). Jika Anda tidak mengaktifkan otentikasi, lanjutkan ke langkah f.
- e. Pilih fitur yang Anda ingin aktifkan otentikasinya. Kemudian pilih domain jaringan dari kotak buka-bawah **Default Domain**.

- f. Pergi ke tab **Addressing** lalu pilih kotak penanda **Allow MFP to directly access an LDAP Address Book** jika Anda ingin HP DSS mengambil alamat e-mail langsung dari server LDAP. Pilih server LDAP yang diatur konfigurasinya sebelumnya dari daftar buka-bawah **LDAP Server**.
- g. Klik **OK** untuk menyimpan pengaturan konfigurasi MFP.

Perhatikan

Jika Anda mengatur konfigurasi sejumlah pengirim digital, gunakan tombol **Copy Settings** pada layar **MFP Configuration** untuk menyalin pengaturan Anda, kemudian gunakan tombol **Paste Settings** untuk menerapkan pengaturan tersebut ke pengirim digital lainnya.


- 26. Klik tombol **Finish** (Akhir). Layar penutup instalasi ditampilkan.
- 27. Klik tombol **Finish** pada layar **InstallShield Wizard Complete** untuk mengakhiri instalasi.

Langkah 10. Memeriksa instalasi produk

Gunakan prosedur berikut ini untuk menguji instalasi dan konfigurasi perangkat.

1. Pada tampilan panel kendali perangkat, periksa apakah pilihan E-Mail dan Folder ditampilkan.
2. Letakkan dokumen menghadap ke atas di dalam ADF atau menghadap ke bawah pada kaca alas datar.
3. Sentuh **E-MAIL** pada tampilan panel kendali.
4. Jika diminta, masukkan user name dan password Anda.
5. Jika Anda tidak diminta untuk log in, sentuh **From (Dari)**: kemudian tuliskan alamat e-mail Anda.
6. Sentuh **To (Ke)**: kemudian tuliskan alamat e-mail Anda sendiri.

Perhatikan

Sentuh  untuk menghapus salah ketik.

7. Sentuh **OK**.
8. Tekan **START**. Perangkat memindai dokumen dan mengirimkannya kepada Anda sebagai lampiran e-mail.
9. Ulangi proses ini menggunakan pilihan **FOLDER**, dan periksa apakah file dikirimkan ke folder yang benar.

Jika dokumen tidak mengirimkan file dengan benar, periksa instalasi dan konfigurasi produk Anda. Untuk informasi lebih lanjut, simak *HP 9200C Digital Sender User Guide* (Panduan Pengguna) atau *HP 9200C Digital Sender Support Guide* (Panduan Dukungan).

Jika tes ini berhasil, Anda sekarang dapat memindai dokumen dan mengirimnya ke sebuah alamat e-mail atau folder. Simak *HP 9200C Digital Sender User Guide* (Panduan Pengguna) untuk petunjuk terperinci cara menggunakan semua pilihan kirim-ke, dan simak *HP 9200C Digital Sender Support Guide* (Panduan Dukungan) untuk informasi tentang mengatur konfigurasi semua fitur pengiriman digital.

3

Pemecahan masalah dan dukungan pelanggan

Gunakan informasi dalam bagian ini jika Anda menghadapi masalah dengan membuat pengaturan awal perangkat. Untuk pemecahan masalah lebih lanjut, simak *HP 9200C Digital Sender User Guide* (Panduan Pengguna) atau *HP 9200C Digital Sender Support Guide* (Panduan Dukungan).

Pemecahan masalah

Gunakan petunjuk berikut ini untuk memecahkan masalah instalasi pengirim digital.

Masalah	Tindakan yang diperlukan
Pengirim digital tidak mau memindai dan pesan kesalahan CHECK CABLES (PERIKSA KABEL). CHECK SCANNER LOCK (PERIKSA KUNCI PEMINDAI) , ditampilkan.	Kunci kepala pemindai masih dalam posisi terkunci. Geser ke posisi tidak terkunci. Simak Langkah 4. Buka kunci kepala pemindai .
Tombol Find Servers (Cari Server) pada layar E-Mail Settings tidak menemukan server apapun.	<ul style="list-style-type: none">• Periksa apakah Anda memiliki server SMTP yang berfungsi pada jaringan.• Klik tombol Add... pada layar E-Mail Settings lalu tuliskan nama host atau alamat IP dari server SMTP. Setelah menuliskan alamatnya, klik tombol Test untuk memeriksa apakah perangkat lunak dapat menghubungi server.• Jika pengujian server tidak berhasil, hubungi administrator jaringan Anda untuk membantu memecahkan masalah komunikasi dengan server.• Jika Anda memiliki pengirim digital atau MFP lain yang menggunakan layanan HP DSS tersebut, Anda dapat menggunakan tombol Copy Settings pada tab MFP Configuration dari HP MFP DSS Configuration Utility untuk menyalin pengaturan dari perangkat yang berfungsi dengan benar, kemudian gunakan tombol Paste Settings untuk menerapkan pengaturan tersebut pada pengirim digital.

Masalah	Tindakan yang diperlukan
Tombol Find Servers (Cari Server) pada layar Authentication Settings (Pengaturan Otentikasi) tidak menemukan server apapun.	<ul style="list-style-type: none"> ● Periksa apakah Anda memiliki server LDAP yang berfungsi pada jaringan. ● Tuliskan nama host atau alamat IP dari server LDAP ke dalam kotak teks LDAP Server. Setelah menuliskan alamatnya, klik tombol Find Settings untuk mendapatkan pengaturan server. Kemudian klik tombol Test untuk memeriksa apakah perangkat lunak dapat menghubungi server. ● Jika pengujian server tidak berhasil, hubungi administrator jaringan Anda untuk membantu memecahkan masalah komunikasi dengan server. ● Jika Anda memiliki pengirim digital atau MFP lain yang menggunakan layanan HP DSS tersebut, Anda dapat menggunakan tombol Copy Settings pada tab MFP Configuration dari HP MFP DSS Configuration Utility untuk menyalin pengaturan dari perangkat yang berfungsi dengan benar, kemudian gunakan tombol Paste Settings untuk menerapkan pengaturan tersebut pada pengirim digital.
Pengirim digital tidak bekerja.	<ul style="list-style-type: none"> ● Pastikan bahwa kabel daya tersambung dengan kuat ke perangkat dan ditancapkan ke stopkontak listrik. ● Pastikan bahwa perangkat diaktifkan. ● Hapus semua pesan kesalahan pada tampilan panel kendali. ● Periksa apakah kabel jaringan tersambung dengan kuat ke perangkat. ● Periksa apakah salah satu dari dua LED hijau di atas port jaringan perangkat menyala.
Halaman yang dipindai kosong atau memiliki pola yang berulang.	Pastikan apakah halaman belum berada di atas kaca.
Kualitas gambarnya buruk.	<ul style="list-style-type: none"> ● Pastikan bahwa dokumen yang Anda coba kirimkan diletakkan dengan benar pada ADF (menghadap ke atas) atau di atas kaca (menghadap ke bawah). ● Jika memungkinkan, coba mengganti beberapa pengaturan pemindaian, seperti resolusi atau jenis file, untuk meningkatkan kualitas gambar.

Masalah	Tindakan yang diperlukan
<p>ADF memasukkan lembaran rangkap, lembaran miring, atau sering macet.</p>	<ul style="list-style-type: none"> • Atur pemandu sehingga tepat menempel pada tumpukan tetapi tidak menekuk tumpukan. • Jumlah halaman yang dapat ditampung ADF adalah 50 atau kurang, tergantung dari jenis media yang diisikan. • Jumlah halaman yang dapat ditampung baki keluaran adalah 50 atau kurang. Pastikan tidak ada kelebihan kertas yang menumpuk di baki keluaran. • Kertas harus ditumpuk lurus dan rata di dalam ADF. • Jika dokumen asli sebelumnya dijilid atau berlubang tiga, pastikan bahwa halamannya tidak saling menempel. • Jenis media yang diisikan mungkin tidak memenuhi spesifikasi yang diperlukan. Simak <i>HP 9200C Digital Sender User Guide</i> (Panduan Pengguna) untuk spesifikasi media.
<p>Pengiriman e-mail tidak sampai ke alamat e-mail tujuan.</p>	<ul style="list-style-type: none"> • Jika Anda menuliskan alamat e-mail di panel kendali, kirim ulang pesan e-mail, pastikan Anda menulis alamatnya dengan benar dan dalam format yang benar (tanpa spasi, berisi tanda @ yang diperlukan, dan berisi titik yang diperlukan). • Kirim ulang e-mail tersebut. Pastikan bahwa Anda menulis namanya dengan format yang benar pada kolom From (Dari): sehingga pesan tidak ditolak dan Anda akan menerima pesan tersebut kembali jika pengiriman e-mail gagal. • Minta administrator jaringan untuk memeriksa apakah server SMTP berfungsi.
<p>Dokumen yang Anda kirimkan ke folder tidak sampai di folder tujuan.</p>	<ul style="list-style-type: none"> • Mengirim ulang dokumen. • Periksa apakah nama filenya telah diubah untuk mengatasi kesalahan duplikasi nama file.
<p>Bagian bawah halaman yang Anda kirimkan terpotong.</p>	<p>Jika dokumen dikirim dari kaca pemindai, halaman dokumen mungkin terlalu panjang. Panjang maksimal dokumen yang dipindai dari kaca adalah A4, atau 210 x 297 mm (8,27 x 11,69 inci).</p>

Masalah	Tindakan yang diperlukan
Panel kendali menggunakan bahasa yang salah.	<p>Gunakan menu panel kendali untuk mengatur bahasa yang benar.</p> <ol style="list-style-type: none"><li data-bbox="922 331 1193 359">1. Tekan tombol MENU.<li data-bbox="922 373 1433 436">2. Pilih CONFIGURE DEVICE pada tampilan panel kendali (pilihan menu ketiga).<li data-bbox="922 451 1401 514">3. Sentuh SYSTEM SETUP (pilihan menu keempat).<li data-bbox="922 529 1417 592">4. Gulir ke bawah dan sentuh LANGUAGE (pilihan menu terakhir).<li data-bbox="922 606 1273 634">5. Sentuh bahasa yang benar.

Dukungan pelanggan

Untuk informasi lebih lanjut tentang produk ini, simak *HP 9200C Digital Sender User Guide* (Panduan Pengguna) atau *HP 9200C Digital Sender Support Guide* (Panduan Dukungan) pada CD-ROM. Untuk informasi Layanan Pelanggan HP, simak brosur dukungan yang disertakan dengan produk. Anda dapat juga mengunjungi <http://www.hp.com/support/9200c> untuk informasi lebih lanjut.

Peraturan FCC

Peralatan ini telah diuji dan berhasil memenuhi batas-batas perangkat digital kelas B, sesuai dengan peraturan FCC bagian 15. Batas-batas tersebut dirancang untuk memberikan perlindungan yang memadai terhadap interferensi yang berbahaya pada instalasi di daerah pemukiman. Peralatan ini membangkitkan, menggunakan, dan dapat memancarkan energi frekuensi radio. Jika peralatan ini tidak diinstalasi dan digunakan sesuai buku petunjuk, ia dapat menimbulkan interferensi yang membahayakan komunikasi radio. Meskipun demikian, tidak ada garansi bahwa interferensi tidak akan terjadi pada instalasi tertentu; adanya interferensi dapat ditentukan dengan mematikan dan menghidupkan peralatan. Jika peralatan ini memang menimbulkan interferensi yang membahayakan komunikasi radio atau televisi, pengguna dianjurkan untuk memperbaiki interferensi tersebut dengan salah satu atau lebih langkah berikut ini:

- Ubah arah atau letak antena penerima.
- Tambahkan jarak antara peralatan dan pesawat penerima.
- Sambungkan peralatan ke stopkontak pada sirkuit yang berbeda dengan sirkuit yang digunakan oleh pesawat penerima.
- Tanyakan pada penyalur Anda atau teknisi radio/televisi yang berpengalaman.

Perhatikan

Perubahan atau modifikasi apapun pada perangkat tanpa persetujuan tertulis dari HP dapat membatalkan wewenang pengguna untuk mengoperasikan peralatan ini.

Indeks

- A**
ADF
 fitur 1
 nampan, mencari lokasi 9
 pemecahan masalah 26
alamat IP, menetapkan 16
alamat IP DHCP 16
- B**
bahasa, panel kendali
 mengganti 15
 tutup tampilan, menginstalasi 10
bantuan, online 2
bantuan online 2
buku petunjuk 2
- C**
Carl Server, pemecahan masalah 24
- D**
dokumentasi 2
DSS, menginstalasi 17
dukungan 28
dukungan pelanggan 28
- E**
e-mail
 mengirim ke 22
 pemecahan masalah 26
- F**
fitur 1
folder, pemecahan masalah 26
- H**
halaman kosong, pemecahan masalah 25
halaman terpotong, pemecahan masalah 26
hard disk 1
HP DSS, menginstalasi 17
HP Jetdirect Terpadu 1
- I**
instalasi
 daftar pemeriksaan 2
 menguji 22
 perangkat lunak 17
 persyaratan 3
 tentang 2
 tutup tampilan panel kendali 10
isi kemasan 6
isi kotak 6
- J**
Jetdirect Terpadu 1
- K**
kabel, menyambungkan 13
kabel daya, menyambungkan 14
kabel jaringan, menyambungkan 13
kartu jaringan, termasuk 1
Kesalahan Pemindaian 24
komponen, mencari lokasi 9
kualitas, pemecahan masalah 25
kualitas gambar, pemecahan masalah 25
kunci, pemindai
 membuka kunci 12
 mencari lokasi 9
kunci kepala pemindai
 membuka kunci 12
 mencari lokasi 9
- M**
margin, pemindaian 1
membuka kemasan pengirim digital 6
membuka kunci kepala pemindai 12
memeriksa instalasi 22
memori 1
menguji instalasi 22
menyambungkan kabel jaringan 13
- N**
nampan 9
nampan keluaran 9
nampan masukan 9
nomor seri, mencari lokasi 9
- P**
panduan dukungan 2
panduan pengguna 2
panel kendali
 mencari lokasi 9
 pengaturan bahasa 15
 tutup tampilan 10

pemecahan masalah
 ADF 26
 Cari Server 24
 e-mail 26
 folder 26
 halaman kosong 25
 halaman terpotong 26
 Kesalahan Pemindaian 24
 kualitas gambar 25
 pengiriman digital 25
 pengaturan
 alamat IP 16
 bahasa 15
 tanggal dan waktu 15
 perangkat lunak, menginstalasi 17
 pernyataan FCC 29
 pernyataan regulasi
 FCC 29
 persyaratan jaringan 8
 persyaratan kelembaban 7
 persyaratan lingkungan 7
 persyaratan lingkungan pengoperasian 7
 persyaratan perangkat keras 7
 persyaratan sistem 7
 persyaratan sistem operasi 8
 persyaratan suhu 7
 port, mencari lokasi 9
 Port EIO 9
 port jaringan 9

S
 saklar daya 9
 saklar hidup/mati 9
 server, pemecahan masalah 24
 server SMTP, pemecahan masalah 24
 situs Web, dukungan 2
 spesifikasi, fitur 1

T
 tanggal, pengaturan 15
 tombol pelepas, macet 9
 tombol pelepas macet 9
 tutup tampilan, panel kendali 10

W
 waktu, pengaturan 15

HP 9200C Digital Sender

시작 설명서

저작권 및 라이선스 정보

© 2004 Copyright Hewlett-Packard
Development Company, LP

저작권법에 의해 허용되는 경우를 제외하고
는, 사전 서면 허가 없이 복사, 수정 또는 번
역하는 것을 금합니다.

이 문서에 있는 내용은 사전 예고 없이 변경
될 수 있습니다.

HP 제품과 서비스에 대한 보증은 오직 제품
및 서비스와 함께 제공되는 명백한 보증서만
을 근거로 합니다. 문서의 어떤 내용도 추가
적인 보증을 구성하는 내용으로 해석되어서
는 안 됩니다. HP는 이 문서에 포함된 기술
이나 편집 오류 또는 누락에 대해 어떠한 책
임도 지지 않습니다.

부품 번호: Q5916-90905

Edition 1, 11/2004

상표 정보

Microsoft® 및 Windows®는 Microsoft
Corporation의 미국 등록 상표입니다

Pentium®은 미국을 비롯한 기타 국가/지역
에 등록된 Intel Corporation 또는 해당 지사
의 등록 상표입니다.

목차

1 소개

제품 관련 문서	2
설치 전 점검 사항	2
시작 전 점검 사항	3

2 설정

1단계. 포장 풀기 및 내용물 확인	6
2단계. 설치 요구 사항 및 제품 부품	7
환경 요구 사항	7
시스템 요구 사항	7
제품 부품 확인	9
3단계. 제어판 오버레이 교체	10
4단계. 스캐너 헤드 잠금 해제	12
5단계. 네트워크 케이블 연결	13
6단계. 전원 코드 연결	14
7단계. 제어판 설정 구성	15
제어판 디스플레이 언어 구성	15
날짜 및 시간 구성	15
8단계. IP 주소 할당	16
DHCP IP 주소 검색	16
IP 주소 직접 할당	16
9단계. 소프트웨어 설치 및 구성	17
시작 전 점검 사항	17
소프트웨어 설치 방법	17
10 단계. 제품 설치 확인	21

3 문제 해결 및 고객 지원

문제 해결	24
고객 지원	27
FCC 규격	28

색인

1

소개

HP 9200C Digital Sender(HP 9200C 디지털 전송 장치)를 구입해주셔서 감사합니다. 이 신제품에는 부가 가치성 콘텐츠 관리 기능이 새롭게 추가되었습니다. 이 디지털 전송 장치를 사용하면 각종 문서를 스캔하여 전자 우편 주소, 팩스 목적지, 네트워크 폴더 등으로 보낼 수 있을 뿐만 아니라 장치 제어판에서 캡처한 워크플로우 정보가 들어 있는 메타데이터 파일을 비롯하여 워크플로우 목적지로 파일을 전송할 수 있습니다. 디지털 전송 장치는 이러한 기능들을 갖추고 있기 때문에 각종 콘텐츠 관리 프로그램(예: Microsoft® SharePoint, Documentum, Filenet, Lotus Domino)의 인터페이스 역할을 할 수 있습니다. 이 밖에도, HP Autostore 소프트웨어를 함께 사용하면 코드 바코드 인식 또는 광학 문자 인식(OCR) 기능이 있는 복잡한 워크플로우를 통해 문서를 보낼 수 있습니다.

이 디지털 전송 장치의 기능은 다음과 같습니다.

- **디지털 전송**—스캔한 파일을 전자 우편 주소, 팩스 목적지, 네트워크 폴더, 워크플로우 폴더 등으로 보낼 수 있습니다. 디지털 전송 작업은 이 장치에 내장된 HP Digital Sending Software(이하 HP DSS)로 이루어집니다.
- **플랫베드 스캐너**—레터/A4 크기의 흑백 문서와 컬러 문서를 스캔할 수 있으며 용지 가장자리에서 1mm(0.04in.)를 제외한 전체 페이지 영역을 스캔할 수 있습니다.
- **양방향 터치 스크린형 제어판 디스플레이**—화면 메뉴 항목이 이해하기 쉽게 구성되어 있으며 마법사를 통해 디지털 전송 작업을 쉽게 할 수 있습니다.
- **자동 문서 공급기(ADF)**—리갈 용지를 50장까지 넣을 수 있으며 양면 문서를 양면 스캔할 수 있습니다.
- **메모리**—128MB RAM이 내장되어 있습니다.
- **하드 디스크**—문서와 설정을 저장할 수 있는 20GB 내장 하드 드라이브가 함께 제공됩니다.
- **연결성**—10/100Base-T 포트와 EIO 확장 슬롯이 장착되어 있습니다.
- **HP Jetdirect Inside**—HP Jetdirect 내장 프린트 서버가 통합되어 있어서 네트워크에 쉽게 연결할 수 있습니다.

제품 관련 문서

HP 9200C Digital Sender 사용 방법이 설명되어 있는 문서는 다음과 같습니다.

시작 설명서(본 문서)—장치 설치 및 설정 방법이 단계별로 설명되어 있습니다.



사용 설명서 및 지원 설명서—*HP 9200C Digital Sender 사용 설명서*(부품 번호 Q5916-90928)에는 장치 사용 방법과 문제 해결 방법이 설명되어 있고, *HP 9200C Digital Sender 지원 설명서*(부품 번호 Q5916-90948)에는 구성 방법과 관리 방법이 더욱 자세하게 설명되어 있습니다. 사용 설명서와 지원 설명서는 제품과 함께 제공되는 해당 CD-ROM에 들어 있습니다. <http://www.hp.com/support/9200c>에서도 다운로드할 수 있습니다.



온라인 도움말—HP MFP DSS Configuration 유틸리티에는 디지털 전송 옵션에 대한 온라인 도움말이 포함되어 있습니다.

설치 전 점검 사항

이 설명서를 참조하여 제품을 설치하고 설정하십시오. 각 단계를 순서에 따라 수행해야 올바르게 설치됩니다.

- 1단계:** 제품 포장을 푸십시오.
- 2단계:** 설치 요구사항과 제품 부품을 확인하십시오.
- 3단계:** 제어판 오버레이를 교체하십시오(선택 사항).
- 4단계:** 디지털 전송 장치의 스캐너 헤드 잠금을 해제하십시오.
- 5단계:** 네트워크 케이블을 꽂으십시오.
- 6단계:** 전원 코드를 꽂으십시오.
- 7단계:** 제어판 설정을 구성하십시오.
- 8단계:** 장치 IP 주소를 할당하십시오.

9단계: 소프트웨어를 설치하고 구성하십시오.

10단계: 제품 설치 상태를 확인하십시오.

시작 전 점검 사항

소프트웨어 설치 중에 디지털 전송 옵션을 구성하라는 메시지가 표시됩니다. 구성하기 전에 다음과 같은 내용을 확인하십시오.

- 소프트웨어 라이선스 키(소프트웨어 **CD-ROM** 레이블에 적혀 있음)
- 전자 우편 전송에 사용되는 **SMTP** 서버의 호스트 이름 또는 **IP** 주소
- 전자 우편 주소 검색에 사용되는 **LDAP** 서버의 호스트 이름 또는 **IP** 주소(선택 사항)
- '폴더로 보내기' 기능에 설정할 폴더의 경로
- 디지털 전송 장치의 호스트 이름 또는 **IP** 주소

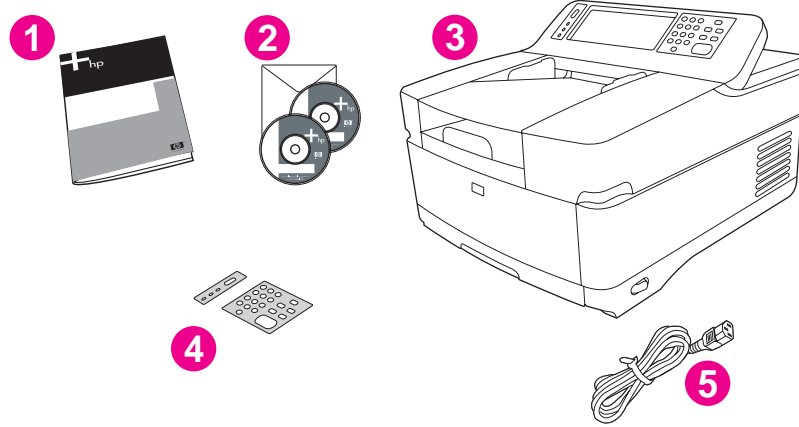
2

설정

디지털 전송 장치를 설정하고 구성하려면 다음과 같이 하십시오. 장치 사용 또는 구성에 대한 자세한 내용은 *HP 9200C Digital Sender 사용 설명서* 또는 *HP 9200C Digital Sender 지원 설명서*를 참조하십시오.

1단계. 포장 풀기 및 내용물 확인

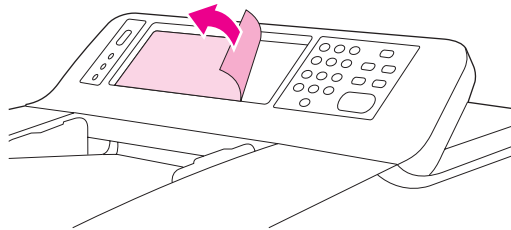
디지털 전송 장치와 함께 제공되는 물품은 다음과 같습니다.



- 1 시작 설명서
- 2 HP DSS 소프트웨어 및 디지털 전송 장치 관련 문서 CD-ROM
- 3 디지털 전송 장치
- 4 제어판 오버레이(선택 사양)
- 5 전원 코드

제품 포장을 풀려면 다음과 같이 하십시오.

1. 상자에서 장치를 꺼낸 후 포장용 봉투를 모두 제거하십시오.
2. ADF에서 테이프와 포장재를 모두 떼어내십시오.
3. 제어판 디스플레이에서 보호용 비닐을 떼어내십시오.



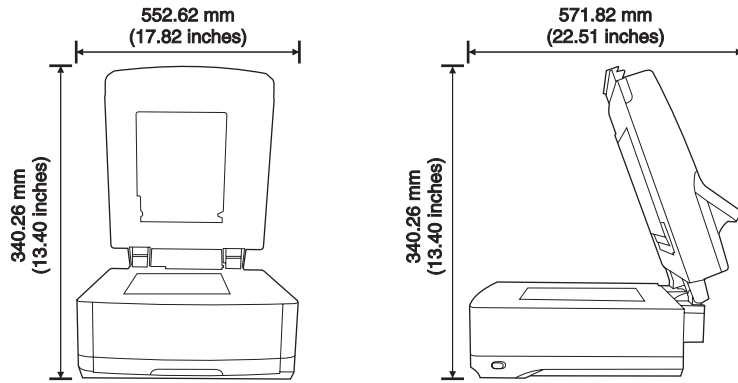
2단계. 설치 요구 사항 및 제품 부품

설치 환경과 네트워크 상태가 적합한지 확인하십시오.

환경 요구 사항

- 온도 또는 습도가 급변하지 않는 안정된 환경
- 실내 온도: 0 - 40°C(32 - 104°F)
- 상대 습도: 15 - 80%(응축 없음)
- 단단하고 편평한 곳
- 직사 광선 또는 화학물이 없는 환기 잘 되는 곳

설치 공간 요구 사항은 다음과 같습니다.



주

디지털 전송 장치의 덮개를 완전히 열려면 장치 뒤에 90mm(3.5in.) 여유 공간이 있어야 합니다.

시스템 요구 사항

이 제품의 시스템 요구 사항은 다음과 같습니다.

하드웨어 요구 사항

디지털 전송 장치(예: MFP, 9200C Digital Sender 등) **50개 미만**을 지원하는 서버에 HP DSS를 사용하려면 다음과 같은 요구 사항을 만족해야 합니다.

- Pentium® 3 이상 프로세서가 설치된 PC
- 512MB RAM

디지털 전송 장치 **50 - 250개**를 지원하는 서버에 HP DSS를 사용하려면 다음과 같은 요구 사항을 만족해야 합니다.

- 2GHz Pentium® 4 이상 프로세서가 설치된 PC
- 1GB RAM

주

HP DSS를 설치하려면 서버에 대한 관리자 권한이 있어야 합니다.

네트워크 시스템 요구 사항

HP DSS에 필요한 네트워크 요구 사항은 다음과 같습니다.

- Windows® 2000 Professional, Server(또는 Advanced Server), Windows XP Professional, Windows Server 2003 Standard 또는 Enterprise Server
- Fast Ethernet 100Base-TX 또는 Ethernet 10Base-T
- SMTP 전자 우편 게이트웨이에 접근 가능

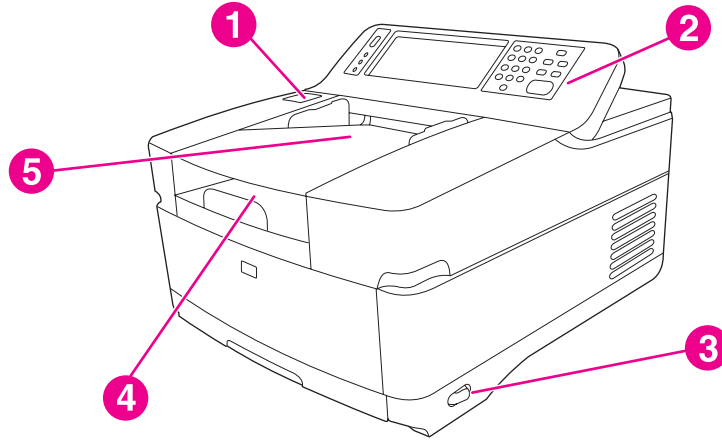
주

SMTP 게이트웨이는 사용자 LAN에 설치하는 것이 **좋습니다**. 그러나, 전자 우편 서비스를 ISP 업체로부터 DSL을 통해 받아도 제품의 전자 우편 기능을 따로 구성해야 합니다.

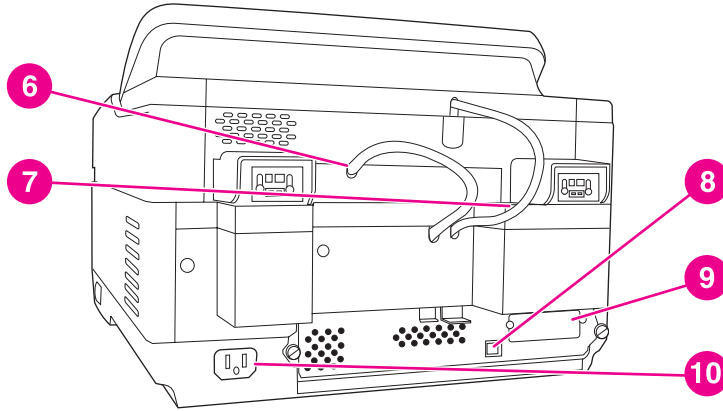
- 사용자 인증 기능 지원(선택 사항)을 위한 LDAP 서버 접근 가능

제품 부품 확인

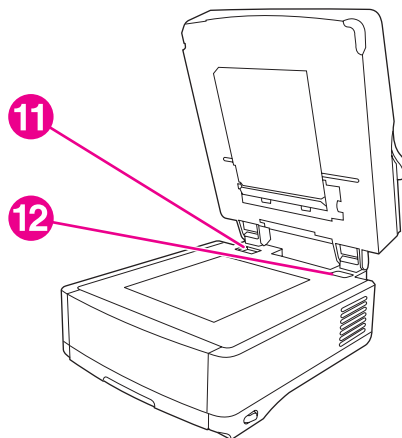
다음 그림은 제품 핵심 부품의 위치 및 이름을 나타냅니다.



- 1 용지 걸림 해제 버튼
- 2 제어판
- 3 켜짐/꺼짐 스위치
- 4 출력 용지함
- 5 ADF 입력 용지함



- 6 ADF 케이블
- 7 제어판 케이블
- 8 10/100Base-T 네트워크 포트
- 9 EIO 포트
- 10 전원 커넥터

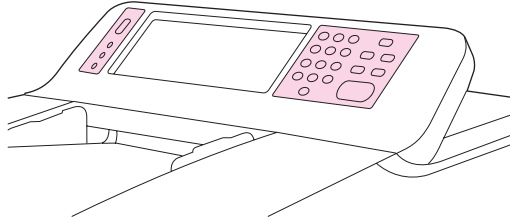


- 11 스캐너 잠금 장치
- 12 일련 번호

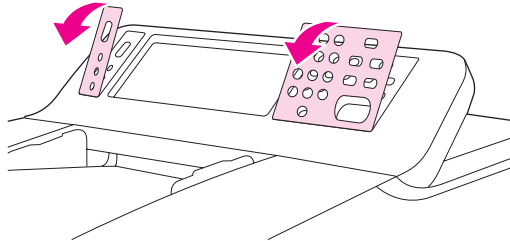
3단계. 제어판 오버레이 교체

이 장치의 제어판에는 오버레이가 설치되어 있습니다. 기타 언어의 오버레이는 따로 제공될 수 있습니다. 해당 언어의 제어판 오버레이로 바꾸려면 다음과 같이 하십시오.

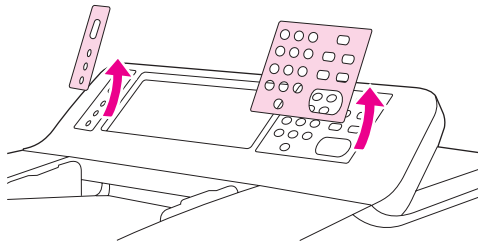
1. 제어판 오버레이 두 개를 확인하십시오.



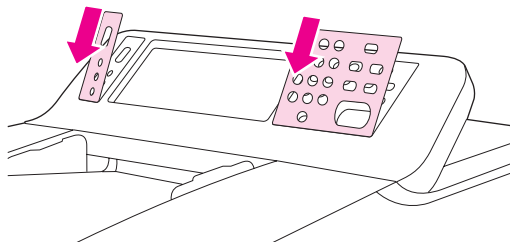
2. 작은 일자형 드라이버나 얇은 공구를 오버레이 중 하나의 상단 가장자리 구멍에 끼운 후 당겨 상단 부분을 빼내십시오.



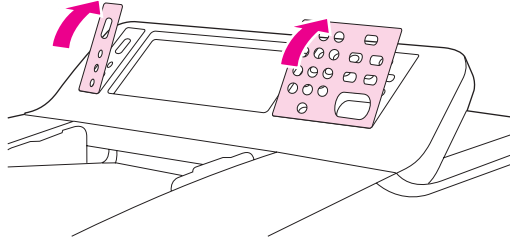
3. 오버레이를 들어 올렸다 내려 완전히 빼내십시오.



4. 새 오버레이를 제어판에 올려 놓으십시오. 오버레이 가장자리 부분을 제어판 구멍에 맞추고 밀어 끼우십시오.



5. 딱 소리가 날 때까지 오버레이를 제어판에 끼워 넣으십시오. 오버레이가 편평하게 끼워져야 합니다.

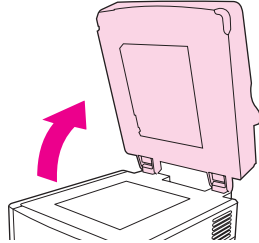


6. 2단계 - 5단계에 따라 나머지 오버레이를 교체하십시오.

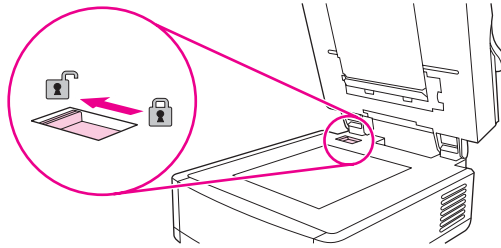
4단계. 스캐너 헤드 잠금 해제

스캐너 헤드는 운송 중에 장치 손상을 막기 위해 잠겨져 있습니다. 잠금을 해제하려면 다음과 같이 하십시오.

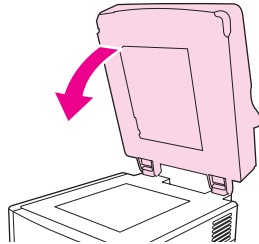
1. 디지털 전송 장치의 덮개를 여십시오.



2. 스캐너 헤드를 열림 위치로 옮기십시오.

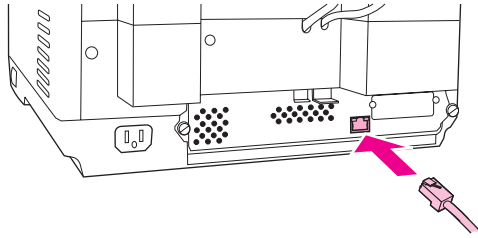


3. 디지털 전송 장치의 덮개를 닫으십시오.



5단계. 네트워크 케이블 연결

장치 뒤에 있는 RJ-45 커넥터를 사용하여 제품을 Fast Ethernet 100Base-TX 또는 Ethernet 10Base-T 네트워크에 연결할 수 있습니다.

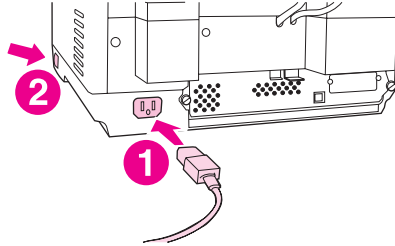


6단계. 전원 코드 연결

1. 전원 코드를 제품의 전원 코드 커넥터에 꽂은 후 해당 AC 콘센트에 꽂으십시오.

주

이 제품은 110/120V, 60Hz 또는 220/240V, 50Hz에서 작동합니다.



2. 전원 버튼을 눌러 제품을 켜십시오. 제품 예열 시간이 끝나면 제어판 디스플레이 언어 구성에 대해 묻는 메시지 창이 표시됩니다([7단계. 제어판 설정 구성 참조](#)).

7단계. 제어판 설정 구성

장치를 구입 후 처음 켜는 경우, 언어, 날짜, 시간 설정 메시지 창이 제어판 디스플레이에 표시됩니다.

제어판 디스플레이 언어 구성

기본적으로, 제어판 디스플레이 메시지는 영어로 표시됩니다. 제어판 디스플레이 메뉴를 사용하여 다른 언어(지원되는 경우)로 메시지가 표시되도록 구성할 수 있습니다. 장치를 구입 후 처음 켜는 경우, **LANGUAGE(언어)** 메뉴가 제어판 디스플레이에 표시됩니다. 계속하려면 언어를 선택하십시오.

주 60초 동안 언어를 선택하지 않으면, 언어가 영어로 설정됩니다. 언어를 변경하려면 아래 방법을 참조하십시오.

제어판 디스플레이 언어를 변경하려면 다음과 같이 하십시오.

1. 제어판에서 **메뉴** 버튼을 누르십시오.
2. **CONFIGURE DEVICE(장치 구성)**(세 번째 메뉴 항목)를 누르십시오.
3. **SYSTEM SETUP(시스템 설정)**(네 번째 메뉴 항목)을 누르십시오.
4. **LANGUAGE(언어)**(마지막 메뉴 항목)로 이동한 후 누르십시오.
5. 원하는 언어를 누르십시오.

날짜 및 시간 구성

언어를 구성하면 현재 날짜와 시간이 제어판 디스플레이에 표시됩니다. 날짜와 시간이 틀리면 **OK(확인)**를 눌러 설정하고 맞으면 **Exit(종료)**를 누르십시오. 날짜와 시간이 설정되면 내장된 실시간 시계가 올바르게 작동합니다.

8단계. IP 주소 할당

해당 네트워크에서 장치에 올바른 IP 주소가 할당되어야 제대로 작동합니다. 해당 네트워크에서 DHCP를 사용하는 경우, IP 주소가 자동으로 할당됩니다. 기본 설정은 DHCP입니다. 하지만 DHCP를 사용하지 않으면 IP 주소를 직접 할당해야 합니다.

DHCP IP 주소 검색

DHCP에서 자동으로 할당한 IP 주소를 찾으려면 다음과 같이 하십시오.

- 제어판 디스플레이의 왼쪽 상단 모서리 부분을 보십시오. **Ready(준비)** 옆에 IP 주소가 표시됩니다.
- IP 주소가 표시되면 없으면 제어판에서 **메뉴** 버튼을 누르십시오. **INFORMATION(정보)** 메뉴, **CONFIGURATION(구성)**을 차례대로 누르십시오. 구성 정보가 표시됩니다. **OK(확인)** 버튼을 눌러 Jetdirect 데이터를 확인하고 탐색하여 해당 IP 주소를 찾으십시오.

IP 주소 직접 할당

IP 주소를 직접 할당하려면 다음과 같이 하십시오.

1. 제어판에서 **메뉴** 버튼을 누르십시오.
2. **CONFIGURE DEVICE(장치 구성)**를 누르십시오.
3. **I/O**로 이동한 후 누르십시오.
4. **EMBEDDED JETDIRECT MENU(내장 Jetdirect 메뉴)**로 이동한 후 누르십시오.
5. **TCP/IP**를 누르십시오.
6. **CONFIG METHOD(구성 방법)**를 누르십시오.
7. **MANUAL(수동)**을 누르십시오.
8. **MANUAL SETTINGS(수동 설정)**를 누르십시오.
9. **IP ADDRESS(IP 주소)**를 누르고 제어판 키패드를 눌러 해당 IP 주소를 입력하십시오.

9단계. 소프트웨어 설치 및 구성

HP DSS 서비스가 지원되는 서버에 HP DSS를 설치하십시오. 설치한 HP DSS는 배경 서비스로 실행되고 서버를 다시 시작할 때마다 자동으로 시작됩니다.

주 소프트웨어가 제대로 설치되려면 디지털 전송 장치를 반드시 켜두고 네트워크에 연결해야 합니다.

시작 전 점검 사항

소프트웨어 설치 중에 디지털 전송 옵션을 구성하라는 메시지 창이 표시됩니다. 구성하기 전에 다음과 같은 내용을 확인해두십시오.

- 소프트웨어 라이선스 키(소프트웨어 CD-ROM 레이블에 적혀 있음)
- 전자 우편 전송에 사용되는 SMTP 전자 우편 서버의 호스트 이름 또는 IP 주소

주 SMTP 게이트웨이는 사용자 LAN에 설치하는 것이 **좋습니다**. 그러나, 전자 우편 서비스를 ISP 업체로부터 DSL을 통해 받아도 제품의 전자 우편 기능을 따로 구성해야 합니다.

- 전자 우편 주소 검색에 사용되는 LDAP 서버의 호스트 이름 또는 IP 주소(선택 사항)
- '폴더로 보내기' 기능에 설정할 폴더의 경로
- 디지털 전송 장치의 호스트 이름 또는 IP 주소

주 이 설명서에 나와 있는 설치 단계는 기본 설치 단계입니다. 자세한 내용 및 고급 구성 기능은 *HP 9200C Digital Sender 지원 설명서*를 참조하십시오.

소프트웨어 설치 방법

1. CD-ROM 드라이브에 HP DSS CD-ROM을 넣으십시오. 설치 프로그램이 시작되면, 초기 화면에서 **Install Now**를 누르십시오.

주 설치 프로그램이 자동으로 시작됩니다. 자동으로 시작되지 않으면 CD-ROM 드라이브로 이동한 후 SETUP.EXE 파일을 실행하십시오.

2. **Choose Setup Language** 대화 상자에서 해당 언어를 선택하십시오. 설치 마법사가 시작됩니다.
3. **Welcome** 화면에서 **Next**를 누르십시오.
4. **Yes**를 눌러 HP 소프트웨어 라이선스 약관에 동의하십시오.
5. 기본 설치 위치를 사용하거나 **Browse**를 눌러 다른 위치로 선택하십시오.

6. 소프트웨어 파일이 설치되면, **HP MFP Digital Sending Software Configuration Wizard**가 표시됩니다.

HP DSS를 처음 설치하는 경우, 소프트웨어는 지정한 기간 동안 '시험 사용' 모드로 실행될 수 있습니다. **Configuration Wizard**의 첫 화면에서 **Licenses** 부분에 'Trial License' 항목이 표시됩니다. 여기에 남은 시험 사용 기간이 표시됩니다. 이 기간이 지나면 유효한 라이선스를 설치해야 소프트웨어를 사용할 수 있습니다.

라이선스 키를 입력하려면 **Add** 버튼을 누르고 소프트웨어 라이선스 키(소프트웨어 CD-ROM 레이블에 적혀 있음)를 입력한 후 **OK**를 누르십시오.

7. **Administrator Information** 부분에서는 관리자 정보를 입력하십시오. 관리자 도움이 필요한 오류가 발생한 경우 전자 우편으로 통지 받으려면 **Notify administrator of critical errors** 확인란을 선택하십시오.
8. **Next**를 눌러 **E-Mail Settings** 화면으로 이동하십시오.
9. 전자 우편 설정을 구성하십시오.
 - a. **Find Servers**를 눌러 네트워크에서 **SMTP** 서버를 검색하십시오.
 - b. 대화 상자가 표시되면 디지털 전송 장치에서 전자 우편을 보낼 때 사용할 **SMTP** 서버를 선택하고 **OK**를 누르십시오.

주

SMTP 서버를 여러 개 사용하려면 **CTRL** 키를 누른 채로 서버를 여러 개 선택하면 됩니다.

- c. 추가한 **SMTP** 서버를 선택한 후 **Test**를 눌러 서버 기능을 테스트하십시오. 테스트가 제대로 끝나지 않으면 네트워크 관리자에게 문의하여 **SMTP** 서버 작동 여부를 확인하십시오.

10. **Next**를 눌러 **Secondary E-mail Settings** 화면으로 이동하십시오.

주

보조 전자 우편은 데이터 보안 방법이 추가로 필요한 솔루션에 유용합니다. 일반 전자 우편 기능과 다른 점은 타사의 전자 우편 보안 프로그램을 설치해야 전자 우편을 보낼 수 있다는 것입니다. 보조 전자 우편 구성 단계는 여기에 포함되지 않았습니다. 보조 전자 우편을 활성화하려면 *HP 9200C Digital Sender 지원 설명서*를 참조하십시오.

11. **Next**를 눌러 **Authentication Settings** 화면으로 이동하십시오.
12. 인증은 중요한 보안 기능입니다. 무단 사용을 막으려면 인증을 활성화하는 것이 좋습니다. 하지만, 디지털 전송 장치로 문서를 보낼 때는 인증이 필요하지 않습니다. 인증을 지금 활성화하지 않으려면 **13**단계로 가십시오.

인증을 활성화하려면 **Authentication Method** 드롭다운 목록에서 원하는 방법을 선택하십시오. 선택한 방법을 통해 사용자의 로그인 인증서 유효 여부가 확인됩니다. 지원되는 인증 방법 항목은 다음과 같습니다.

- None
- Microsoft Windows
- LDAP server
- Novell NDS(Novell 클라이언트 소프트웨어가 있는 경우)
- Novell Bindery(Novell 클라이언트 소프트웨어가 있는 경우)

원하는 방법을 선택하면 나머지 설정이 화면이 표시됩니다.

- a. **Find Servers** 버튼을 누르십시오. **Select LDAP Server** 대화 상자에 네트워크 LDAP 서버가 모두 표시됩니다. 네트워크 로그인 정보 입력 창이 먼저 표시될 수 있습니다.
- b. 사용할 LDAP 서버를 선택하십시오. 선택한 서버의 정보가 표시됩니다.
- c. **OK**를 눌러 선택한 서버를 적용하십시오. **Authentication Settings** 화면에 해당 서버 정보가 표시됩니다.
- d. **Test** 버튼을 눌러 설정을 테스트하십시오. **Test User Authentication** 대화 상자에 네트워크 사용자의 로그인 정보를 입력하여 LDAP의 전자 우편 주소 검색이 제대로 이루어지는지 확인하십시오. 테스트가 제대로 끝나지 않으면 네트워크 관리자에게 문의하여 LDAP 구성 문제를 해결하십시오.

13. **Next**를 눌러 **Fax Settings** 화면으로 이동하십시오.

주

팩스 구성 단계는 여기에 포함되지 않았습니다. '팩스로 보내기' 기능을 활성화하려면 *HP 9200C Digital Sender 지원 설명서*를 참조하십시오.

14. **Next**를 눌러 **Folder Settings** 화면으로 이동하십시오.

15. '폴더로 보내기' 기능을 사용하려면 **Enable Send to Folder** 확인란을 선택하십시오.

- a. **Add...**를 눌러 폴더를 추가하십시오. **Add Predefined Folder** 대화 상자가 표시됩니다.
- b. **Alias Name** 입력란에 폴더 이름을 입력하십시오. 입력한 이름이 제어판 인터페이스에 표시됩니다.
- c. **Browse...**를 눌러 폴더 위치로 이동한 후 **OK**를 눌러 적용하십시오.

주

폴더 목적지의 운영 체제로 지원되는 것은 Windows 98, Windows NT, Windows 2000, Windows Server 2003, Windows XP, Novell NetWare입니다.

- d. **Access Credentials** 드롭다운 목록에서 폴더를 열 때 사용할 인증서를 선택하십시오. **Public**을 선택하면 **Folders Settings** 화면에 있는 **Credentials to Access Public Folders**가 사용되고, **MFP User**를 선택하면 사용자가 로그인할 때 사용한 인증서가 사용됩니다.
- e. **OK**를 눌러 설정을 저장하십시오. 목록에 폴더가 추가됩니다.
- f. 폴더를 또 추가하려면 a - e 단계를 반복하십시오.
- g. **Folders** 탭을 누르고 **Credentials to Access Public Folders** 영역에서 폴더에 파일을 저장할 때 사용할 공용 접근 인증서 정보를 입력하십시오. 이 정보를 입력해야 폴더 목록을 저장할 수 있습니다.

16. **Next**를 눌러 **Workflow Settings** 화면으로 이동하십시오.

주

워크플로우 구성 단계는 여기에 포함되지 않았습니다. '워크플로우로 보내기' 기능을 활성화하려면 *HP 9200C Digital Sender 지원 설명서*를 참조하십시오.

17. **Next**를 눌러 **Addressing Settings** 화면으로 이동하십시오.

18. 디지털 전송 장치에서 **Microsoft Outlook** 주소록을 사용하려면 **Enable PAB**(개인 주소록) 확인란(있는 경우)을 선택하십시오.

주 이 기능은 선택 사항이며 활성화하고 **Microsoft Windows**에 설정하려면 인증 과정을 거쳐야 합니다. 또한, **MAPI**도 필요합니다. 자세한 내용은 *HP 9200C Digital Sender 지원 설명서*를 참조하십시오.

19. **Next**를 눌러 **Preferences Settings** 화면으로 이동하십시오.
20. **Next**를 다시 누르십시오. 서비스가 사용되도록 **MFP**를 구성할지 묻는 대화 상자가 표시됩니다. **Yes**를 누르십시오.
21. **MFP Configuration** 화면에서 **Add...**를 누르십시오. **Add MFPs** 대화 상자가 표시됩니다.
22. **Find MFPs** 버튼을 눌러 네트워크에 있는 **MFP**와 디지털 전송 장치를 모두 검색하십시오. 표시된 목록에서 설치할 디지털 전송 장치를 선택하십시오.

주 장치의 호스트 이름이나 **IP** 주소를 알고 있으면, **Find MFPs**를 사용하지 말고 **Manually enter an MFP's network name** 아래에 있는 **Hostname or IP Address** 입력란에 입력하십시오.

23. **Add-->** 버튼을 눌러 **MFP List**에 장치를 추가하십시오.
24. **Close**를 눌러 **Add MFPs** 대화 상자를 닫으십시오. 추가한 장치가 **MFP Configuration** 화면의 **MFP** 목록에 표시됩니다.
25. 디지털 전송 장치를 선택하고 **Configure MFP** 버튼을 누르십시오. **Configure MFPs** 창의 설정을 사용하여 디지털 전송 장치의 디지털 전송 옵션을 활성화하십시오.
 - a. **Send to Email** 탭을 누르십시오. **Enable Send to Email** 확인란을 선택하고 **Send Emails** 드롭다운 목록에서 **via the Digital Sender service**를 선택하십시오.
 - b. 사용자가 전자 우편을 보낼 때 메시지를 추가할 수 있게 하려면 **Advanced** 버튼을 누른 후 **Editable by user** 확인란을 선택하십시오.
 - c. **Send to Folder** 탭을 누른 후 **Enable Send to Folder** 확인란을 선택하십시오.
 - d. 인증을 활성화하려면 **Authentication** 탭을 누른 후 **Enable Authentication** 확인란을 선택하고, 활성화하지 않으려면 f단계로 가십시오.
 - e. 인증을 활성화할 기능을 선택하고 **Default Domain** 드롭다운 상자에서 네트워크 도메인을 선택하십시오.
 - f. **Addressing** 탭을 누른 후 **HP DSS**의 **LDAP** 서버 검색을 활성화하려면 **Allow MFP to directly access an LDAP Address Book** 확인란을 선택하십시오. **LDAP Server** 드롭다운 목록에서 이미 구성된 **LDAP** 서버를 선택하십시오.
 - g. **OK**를 눌러 **MFP** 구성 설정을 저장하십시오.

주 구성하는 디지털 전송 장치가 여러 개인 경우, **MFP Configuration** 화면에서 **Copy Settings** 버튼을 눌러 이미 구성한 장치의 설정을 복사하고 **Paste Settings** 버튼을 눌러 다른 장치에 적용하십시오.


26. **Finish** 버튼을 누르십시오. 마지막 설치 화면이 표시됩니다.
27. **InstallShield Wizard Complete** 화면에서 **Finish** 버튼을 눌러 설치를 끝내십시오.

10 단계. 제품 설치 확인

장치 설치 및 구성 여부를 확인하려면 다음과 같이 하십시오.

1. 제어판 디스플레이에 전자 우편 및 폴더 옵션이 표시되는지 확인하십시오.
2. 문서 정면이 위로 가게 하여 ADF에 넣거나 정면이 아래로 가게 하여 플랫폼 스캐너 유리에 올려 놓으십시오.
3. 제어판 디스플레이에서 **E-MAIL(전자 우편)**을 누르십시오.
4. 사용자 이름 및 암호 입력 창이 표시되면 입력하십시오.
5. 로그인 정보 입력 창이 표시되지 않으면, **From:(보내는 사람)**을 누르고 전자 우편 주소를 입력하십시오.
6. **To:(받는 사람)**을 누르고 전자 우편 주소를 입력하십시오.

주

를 누르면 잘못 입력된 내용을 삭제할 수 있습니다.

7. **OK(확인)**를 누르십시오.
8. **시작**을 누르십시오. 문서가 스캔된 후 스캔된 파일이 입력한 전자 우편 주소 첨부되어 전송됩니다.
9. **FOLDER(폴더)** 옵션에서도 이 과정을 반복한 후 파일이 올바른 폴더로 전송되었는지 확인하십시오.

스캔된 파일이 올바르게 전송되지 않는 경우, 장치가 올바르게 설치 및 구성되었는지 확인하십시오. 자세한 내용은 *HP 9200C Digital Sender 사용 설명서* 또는 *HP 9200C Digital Sender 지원 설명서*를 참조하십시오.

테스트가 제대로 끝나면, 문서를 스캔한 후 스캔된 파일을 전자 우편 주소나 폴더로 보낼 수 있습니다. 모든 '보내기' 옵션 사용 및 모든 디지털 전송 기능 구성에 대한 자세한 내용은 각각 *HP 9200C Digital Sender 사용 설명서* 및 *HP 9200C Digital Sender 지원 설명서*를 참조하십시오.

3

문제 해결 및 고객 지원

이 절에서는 장치의 초기 설정 관련 문제에 대해 설명합니다. 고급 문제 해결 방법은 *HP 9200C Digital Sender 사용 설명서* 또는 *HP 9200C Digital Sender 지원 설명서*를 참조하십시오.

문제 해결

다음 표를 사용하여 디지털 전송 장치의 설치 문제를 해결하십시오.

문제	해결 방법
스캔이 안 되고 CHECK CABLES. CHECK SCANNER LOCK. (케이블 상태를 확인하십시오. 스캐너가 잠겨 있는지 확인하십시오.) 오류 메시지가 표시됩니다.	스캐너 헤드 잠금이 해제되지 않았습니다. 스위치를 열림 위치로 놓으십시오. 4단계, 스캐너 헤드 잠금 해제 를 참조하십시오.
E-Mail Settings 화면에서 Find Servers 버튼을 눌러도 서버가 검색되지 않습니다.	<ul style="list-style-type: none"> • 네트워크에 있는 SMTP 서버가 작동하는지 확인하십시오. • E-Mail Settings 화면에서 Add... 버튼을 누른 후 SMTP 서버의 호스트 이름이나 IP 주소를 입력하십시오. IP 주소를 입력하고 Test 버튼을 눌러 소프트웨어에서 서버로 송신되는지 확인하십시오. • 서버 테스트가 제대로 끝나지 않으면 네트워크 관리자에게 문의하여 서버 통신 문제를 해결하십시오. • HP DSS 서비스를 사용하고 있는 디지털 전송 장치 또는 MFP가 또 있는 경우, HP MFP DSS Configuration 유틸리티에서 MFP Configuration 탭과 Copy Settings 버튼을 눌러 올바르게 작동하는 장치의 설정을 복사한 후 Paste Settings 버튼을 눌러 적용하십시오.
Authentication Settings 화면에서 Find Servers 버튼을 눌러도 서버가 검색되지 않습니다.	<ul style="list-style-type: none"> • 네트워크에 있는 LDAP 서버가 작동하는지 확인하십시오. • LDAP 서버의 호스트 이름이나 IP 주소를 LDAP Server 입력란에 입력하십시오. IP 주소를 입력하고 Find Settings 버튼을 눌러 서버 설정을 검색하십시오. 그리고, Test 버튼을 눌러 소프트웨어에서 서버로 송신되는지 확인하십시오. • 서버 테스트가 제대로 끝나지 않으면 네트워크 관리자에게 문의하여 서버 통신 문제를 해결하십시오. • HP DSS 서비스를 사용하고 있는 디지털 전송 장치 또는 MFP가 또 있는 경우, HP MFP DSS Configuration 유틸리티에서 MFP Configuration 탭과 Copy Settings 버튼을 눌러 올바르게 작동하는 장치의 설정을 복사한 후 Paste Settings 버튼을 눌러 적용하십시오.

문제	해결 방법
<p>디지털 전송 장치가 작동하지 않습니다.</p>	<ul style="list-style-type: none"> ● 전원 코드가 장치와 전원 콘센트에 올바르게 꽂혀 있는지 확인하십시오. ● 장치가 켜져 있는지 확인하십시오. ● 제어판 디스플레이에서 오류 메시지를 사라지게 하십시오. ● 네트워크 케이블이 장치에 올바르게 꽂혀 있는지 확인하십시오. ● 장치의 네트워크 포트 바로 위에 있는 녹색 LED 두 개가 켜져 있는지 확인하십시오.
<p>스캔된 페이지에 내용이 없거나 결함이 반복해서 나타납니다.</p>	<p>스캐너 유리에 용지를 올려 놓았는지 확인하십시오.</p>
<p>이미지 품질이 안 좋습니다.</p>	<ul style="list-style-type: none"> ● 전송할 문서의 정면이 위로 가게 ADF에 넣어져 있거나 정면이 아래로 가게 스캐너 유리에 올려져 있는지 확인하십시오. ● 해상도, 파일 형식 등, 일부 스캔 설정을 변경해서 이미지 품질을 높여보십시오.
<p>AD에서 용지가 여러 장 공급되거나 비뚤어지거나 자주 걸립니다.</p>	<ul style="list-style-type: none"> ● 용지 더미에 맞게 조정대를 조정하십시오. 이때 용지 더미가 구겨지지 않게 조심하십시오. ● ADF 입력 용지함의 최대 용량은 용지 종류에 따라 50장 이하입니다. ● 출력 용지함의 최대 용량은 50장 이하입니다. 용량을 초과해서 용지를 넣었는지 확인하십시오. ● 용지를 반듯하고 구겨지지 않게 넣어야 합니다. ● 원본에 스테이플이 있거나 구멍이 3개 뚫려 있으면, 용지가 달라붙지 않는지 확인하십시오. ● 사용하는 용지 종류가 사양에 맞지 않을 수 있습니다. 용지 사양은 <i>HP 9200C Digital Sender 사용 설명서</i>를 참조하십시오.
<p>보낸 전자 우편이 목적지에 도착하지 않았습니다.</p>	<ul style="list-style-type: none"> ● 제어판 디스플레이에서 전자 우편 주소를 입력한 경우, 전자 우편 메시지를 보낼 때 주소를 올바르게 입력하고 주소 형식이 올바른지 (빈칸 없음, @와 마침표 포함) 확인하십시오. ● 전자 우편을 다시 보내십시오. From:(보내는 사람:)에 이름 형식을 올바르게 입력하여 메시지가 거부되지 않고 전자 우편이 전송되지 않은 경우 반송되게 하십시오. ● 네트워크 관리자에게 문의하여 SMTP 서버가 작동하는지 확인하십시오.

문제	해결 방법
폴더로 보낸 문서가 목적지에 도착하지 않았습니다.	<ul style="list-style-type: none"> ● 문서를 다시 보내십시오. ● 파일 이름이 중복되어서 수정되지 않았는지 확인하십시오.
페이지 하단이 잘려서 전송되었습니다.	문서를 스캐너 유리에서 보낸 경우, 페이지가 너무 길 수 있습니다. 전송 가능한 최대 길이는 A4, 210x297mm(8.27x11.69in.) 입니다.
제어판 디스플레이 언어가 잘못되었습니다.	<p>제어판 메뉴를 사용하여 언어를 올바르게 설정하십시오.</p> <ol style="list-style-type: none"> 1. 메뉴 버튼을 누르십시오. 2. 제어판 디스플레이에서 CONFIGURE DEVICE(장치 구성)(세 번째 메뉴 항목)를 선택하십시오. 3. SYSTEM SETUP(시스템 설정)(네 번째 메뉴 항목)을 누르십시오. 4. LANGUAGE(언어)(마지막 메뉴 항목)로 이동한 후 누르십시오. 5. 원하는 언어를 누르십시오.

고객 지원

제품에 대한 자세한 내용은 *HP 9200C Digital Sender 사용 설명서* 또는 *HP 9200C Digital Sender 지원 설명서*를 참조하십시오. HP 고객 관리에 대한 자세한 내용은 제품과 함께 제공되는 지원 안내서를 참조하십시오. <http://www.hp.com/support/9200c>에서도 자세한 내용을 확인할 수 있습니다.

FCC 규격

본 장비는 검사 결과 FCC 규격 제15항의 B급 디지털 장치 기준에 부합하는 것으로 판정되었습니다. 이 기준은 상업 지역에 설치할 때 장비에서 발생하는 유해한 간섭파로 인한 피해를 안전하게 막기 위해 마련된 것입니다. 이 장비는 무선 주파수 에너지를 생성, 사용 및 방출할 수 있으므로 지침에 따라 설치하여 사용하지 않을 경우에는 무선 통신에 유해한 간섭파를 일으킬 수 있습니다. 그러나, 특정 지역에 설치하면 간섭파가 발생하지 않는다고 보장하지 않습니다. 장치를 켜다 켜면 간섭파의 유무를 확인할 수 있습니다. 이 장비에서 무선 통신 또는 TV 통신에 유해한 간섭파가 발생하는 경우, 다음 방법에 따라 간섭파 문제를 해결해보십시오.

- 수신 안테나의 방향 또는 위치를 바꾸십시오.
- 장비와 수신기 간격을 늘리십시오.
- 수신기가 꽂혀 있지 않는 회로 콘센트에 장비를 꽂아보십시오.
- 해당 장비 판매업체 또는 전문 무선/TV 기술자에게 문의하십시오.

주

HP의 명시적 동의 없이 장치를 변경하거나 개조하면 본 장비 사용권이 박탈될 수 있습니다.

색인

A

- ADF
 - 기능 1
 - 문제 해결 25
 - 용지함, 위치 확인 9

D

- DHCP IP 주소 16
- DSS, 설치 17

E

- EIO 포트 9

F

- FCC 규격 28

H

- HP DSS, 설치 17
- HP Jetdirect Inside 1

I

- IP 주소, 할당 16

J

- Jetdirect Inside 1

S

- SMTP 서버, 문제 해결 24

ㄱ

- 고객 지원 27
- 공백 페이지, 문제 해결 25
- 기능 1

ㄴ

- 날짜, 설정 15
- 네트워크 요구 사항 8
- 네트워크 카드, 포함 1
- 네트워크 케이블, 연결 13
- 네트워크 케이블 연결 13
- 네트워크 포트 9

ㄷ

- 도움말, 온라인 2

ㅁ

- 메모리 1
- 문서 2
- 문제 해결
 - ADF 25
 - 공백 페이지 25
 - 디지털 전송 25
 - 서버 검색 24
 - 스캔 실패 오류 24
 - 이미지 품질 25
 - 잘린 페이지 26
 - 전자 우편 25
 - 폴더 26

ㅂ

- 부품, 위치 확인 9

ㅅ

- 사양, 기능 1
- 사용 설명서 2
- 상자 내용물 6
- 서버, 문제 해결 24
- 서버 검색, 문제 해결 24
- 설명서 2
- 설정
 - IP 주소 16
 - 날짜 및 시간 15
 - 언어 15
- 설치
 - 소프트웨어 17
 - 요구 사항 3
 - 점검 사항 2
 - 정보 2
 - 제어판 오버레이 10
 - 테스트 21
- 설치 테스트 21
- 설치 확인 21
- 소프트웨어, 설치 17
- 스캐너 헤드 잠금
 - 위치 확인 9
 - 잠금 해제 12
- 스캐너 헤드 잠금 해제 12
- 스캔 실패 오류 24
- 습도 요구 사항 7
- 시간, 설정 15

시스템 요구 사항 7



- 언어, 제어판
 - 변경 15
 - 오버레이, 설치 10
- 여백, 스캔 1
- 오버레이, 제어판 10
- 온도 요구 사항 7
- 온라인 도움말 2
- 용지 걸림 해제 버튼 9
- 용지함 9
- 운영 체제 요구 사항 8
- 웹 사이트, 지원 2
- 이미지 품질, 문제 해결 25
- 일련 번호, 위치 확인 9
- 입력 용지함 9



- 작동 환경 요구 사항 7
- 잘린 페이지, 문제 해결 26
- 잠금 장치, 스캐너
 - 위치 확인 9
 - 잠금 해제 12
- 전원 스위치 9
- 전원 코드, 연결 14
- 전자 우편
 - 문제 해결 25
 - 보내기 21

제어판

- 언어 설정 15
- 오버레이 10
- 위치 확인 9
- 지원 27
- 지원 설명서 2



- 출력 용지함 9



- 케이블, 연결 13
- 켜짐/꺼짐 스위치 9



- 포장 내용물 6
- 포장 풀기 6
- 포트, 위치 확인 9
- 폴더, 문제 해결 26
- 품질, 문제 해결 25



- 하드 디스크 1
- 하드웨어 요구 사항 7
- 해제 버튼, 용지 걸림 9
- 형식 승인
 - FCC 28
- 환경 요구 사항 7

HP 9200C Digital Sender

入門指南

著作權與使用授權

© 2004 Copyright Hewlett-Packard
Development Company, LP

除著作權法允許的範圍外，若未經事先書面許可，不得複製、改編或翻譯本文件。

本文件所包含的資訊如有變更，恕不另行通知。

本產品與服務所附的保固聲明是 HP 對其產品與服務的唯一保固內容。除此之外，不含任何附加保固。HP 對所含資訊在技術或編輯上的錯誤或疏漏概不負責。

手冊編號： Q5916-90905

Edition 1, 11/2004

商標說明

Microsoft® 與 Windows® 是 Microsoft Corporation 在美國的註冊商標。

Pentium® 是 Intel Corporation 及其子公司在美國及其他國家/地區的註冊商標。

目錄

1 簡介

何處尋找資訊	2
安裝核對清單	2
準備工作	3

2 安裝

步驟 1. 拆開並檢查包裝內的物件	6
步驟 2. 安裝要求與產品零件	7
環境要求	7
系統要求	7
識別產品零件	9
步驟 3. 更換控制面板說明卡	10
步驟 4. 解除鎖定掃描頭	12
步驟 5. 連接網路纜線	13
步驟 6. 連接電源線	14
步驟 7. 設定控制面板設定值	15
設定控制面板語言	15
設定日期與時間	15
步驟 8. 指定 IP 位址	16
尋找 DHCP IP 位址	16
手動指定 IP 位址	16
步驟 9. 安裝與設定軟體	17
準備工作	17
安裝軟體	17
步驟 10. 檢查產品安裝	21

3 故障排除與客戶支援

故障排除	24
客戶支援	27
FCC 法規	28

索引

1

簡介

恭喜您購買了 HP 9200C Digital Sender (HP 9200C 數位傳送器)，這是一部可協助您大幅改善內容管理流程的附加裝置。數位傳送器可掃描各種文件，然後將其傳送至電子郵件地址、傳真目的地或網路資料夾。數位傳送器還可設定為將文件與中繼檔 (包含從裝置控制面板上擷取的工作流程資訊) 一起傳送至工作流程目的地。透過使用這些功能，數位傳送器可做為各種內容管理程式的介面，包括 Microsoft® SharePoint、Documentum、FileNet 及 Lotus Domino。透過使用 HP Autostore 之類的附加軟體，數位傳送器還可經由更複雜的工作流程 (包含條碼辨識或光學字元辨識 [OCR] 等元件) 來傳送文件。

數位傳送器包含下列功能：

- **數位傳送**—將掃描的檔案傳送至電子郵件地址、傳真目的地、網路資料夾及工作流程資料夾。數位傳送功能由 HP 數位傳送軟體 (HP DSS) 執行，該軟體隨附於數位傳送器中。
- **平台掃描器**—letter/A4 尺寸的掃描器可掃描黑白與彩色文件，並可掃描至紙張邊緣 1 公釐 (0.04 英吋) 內的全頁面區域。
- **互動式觸控螢幕控制面板**—直覺化的螢幕功能表與精靈可協助您執行數位傳送工作。
- **自動送紙器 (ADF)**—legal 尺寸的 ADF 可容納多達 50 張紙，同時具有內建雙面列印功能，可掃描雙面文件的正反兩面。
- **記憶體**—本裝置包含 128 百萬位元組 (MB) 隨機存取記憶體 (RAM)。
- **硬碟**—本裝置隨附 20 十億位元組 (GB) 的內接式硬碟機，用於儲存文件與設定值。
- **連接方式**—提供 10/100Base-T 連接埠與增強型輸入/輸出 (EIO) 擴充槽用於連接。
- **內建 HP Jetdirect**—本裝置直接整合 HP Jetdirect 嵌入式列印伺服器，可提供穩定的網路連線。

何處尋找資訊

請查閱下列文件來源以瞭解如何使用 HP 9200C Digital Sender。

入門指南 (本文件) 提供安裝與設定數位傳送器的逐步說明。



使用指南與支援指南—《HP 9200C Digital Sender 使用指南》(手冊編號 Q5916-90927) 包含有關使用數位傳送器與故障排除的資訊。《HP 9200C Digital Sender 支援指南》(手冊編號 Q5916-90947) 包含更多詳細設定與管理說明。這兩個指南均可從數位傳送器隨附的說明文件 CD-ROM 中取得。您也可以從網站 (<http://www.hp.com/support/9200c>) 上取得。



線上說明—HP MFP DSS 設定公用程式的線上說明包含有關數位傳送選項的資訊。

安裝核對清單

本指南將協助您設定與安裝新產品。為正確進行安裝，請依序完成下列每個步驟。

- 步驟 1：拆開產品包裝。
- 步驟 2：瞭解安裝要求並檢查產品零件。
- 步驟 3：更換控制面板說明卡 (選用)。
- 步驟 4：解除鎖定數位傳送器掃描頭。
- 步驟 5：連接網路纜線。
- 步驟 6：連接電源線。
- 步驟 7：設定控制面板設定值。
- 步驟 8：指定裝置的 IP 位址。
- 步驟 9：安裝與設定軟體。
- 步驟 10：檢查產品安裝。

準備工作

在軟體安裝過程中，系統會提示您設定數位傳送選項。為了完成此設定，您需要下列資訊：

- 軟體 CD-ROM 標籤上的軟體使用授權碼
- 將用於從數位傳送器傳送電子郵件之簡單郵件傳輸通訊協定 (SMTP) 電子郵件伺服器的主機名稱或網際網路通訊協定 (IP) 位址
- 將用於擷取電子郵件地址的簡易目錄存取通訊協定 (LDAP) 伺服器的主機名稱或 IP 位址 (選用)
- 為傳送至資料夾功能所設定的所有資料夾路徑
- 數位傳送器的主機名稱或 IP 位址

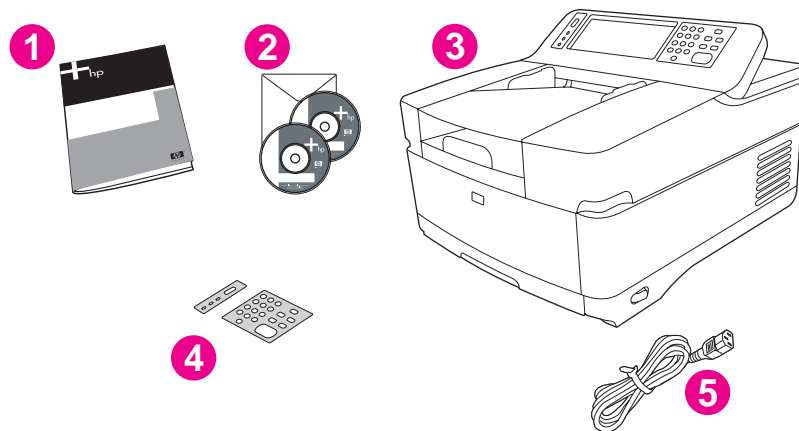
2

安裝

請按照以下步驟安裝與設定數位傳送器。如果您需要瞭解更多有關如何使用或設定本裝置的詳細資訊，請參閱《*HP 9200C Digital Sender 使用指南*》或《*HP 9200C Digital Sender 支援指南*》。

步驟 1. 拆開並檢查包裝內的物件

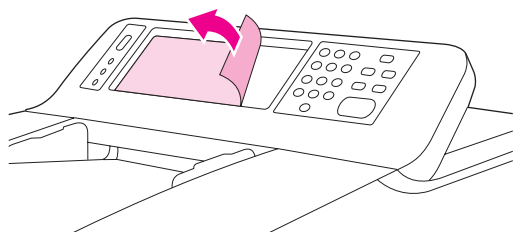
數位傳送器包裝箱內包括下列物品：



- 1 入門指南
- 2 **HP DSS** 軟體與數位傳送器說明文件 CD-ROM
- 3 數位傳送器
- 4 控制面板說明卡 (選用)
- 5 電源線

請按照下列說明拆封數位傳送器。

1. 將裝置從其包裝箱內提起，並取出所有包裝袋。
2. 去除 ADF 內的所有膠帶及包裝材料。
3. 撕下控制面板顯示幕上的保護膜。

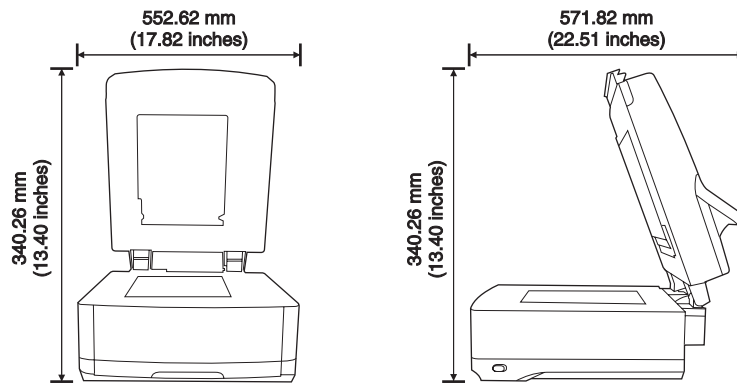


步驟 2. 安裝要求與產品零件

請確保環境與網路狀況皆可符合安裝數位傳送器的要求。

環境要求

- 無溫度或濕度變化的穩定環境
 - 室溫在 0 至 40°C (32 至 104°F) 之間
 - 相對濕度在 15% 至 80% (非冷凝) 之間
 - 堅固平坦的表面
 - 室內通風良好，不暴露於化學藥品或曝曬於直射陽光下
- 安裝數位傳送器時，請遵循下列空間要求。



注意

數位傳送器後面需要留 90 公釐 (3.5 英吋) 的可用空間，以便完全打開頂蓋。

系統要求

本產品的系統規格要求如下。

硬體要求

對於支援 50 台以下數位傳送裝置 (MFP 或 9200C 數位傳送器) 的伺服器，數位傳送軟體的硬體要求如下：

- 配備 Pentium® 3 或更高速度處理器的 PC
- 512 MB 的 RAM

對於支援 50 至 250 台數位傳送裝置的伺服器，數位傳送軟體的硬體要求如下：

- 配備 2 GHz Pentium® 4 或更高速度處理器的 PC
- 1 GB 的 RAM

注意

您必須在伺服器中擁有系統管理員權限才能安裝此軟體。

網路系統要求

數位傳送軟體的網路要求如下：

- Windows® 2000 Professional、Server 或 Advanced Server；Windows XP Professional；或者 Windows Server 2003 Standard 或 Enterprise Server
- 高速乙太網路 100Base-TX 或乙太網路 10Base-T
- 可存取 SMTP 電子郵件閘道

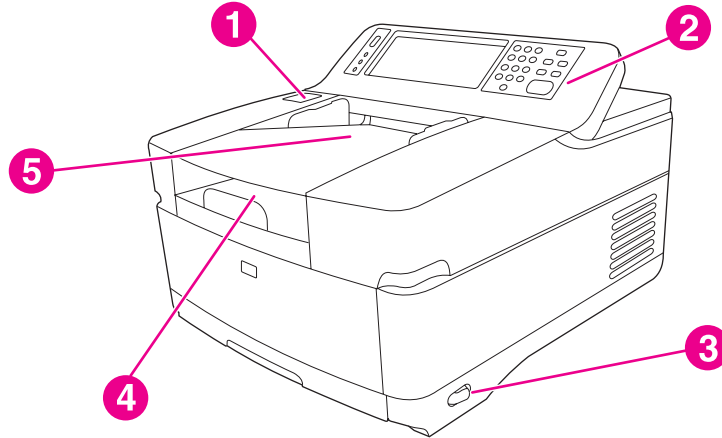
注意

*強烈建議*您將 SMTP 閘道位於自己的區域網路中。但是，即使您的郵件服務是由外部網際網路服務供應商 (ISP) 透過數位用戶線路 (DSL) 所提供，您也可以設定產品以使用電子郵件功能。

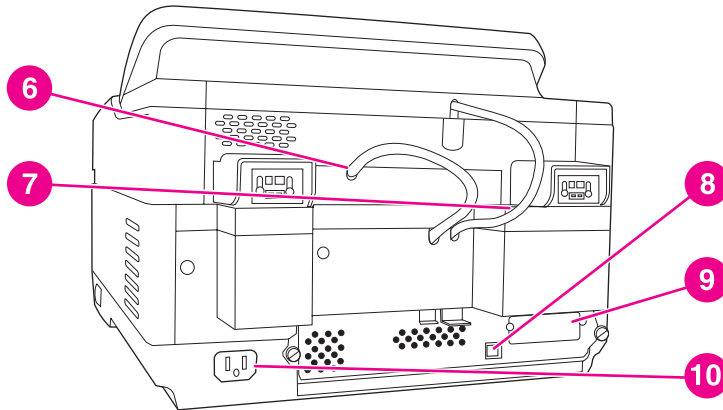
- 可存取網路 LDAP 伺服器以支援選用的使用者驗證

識別產品零件

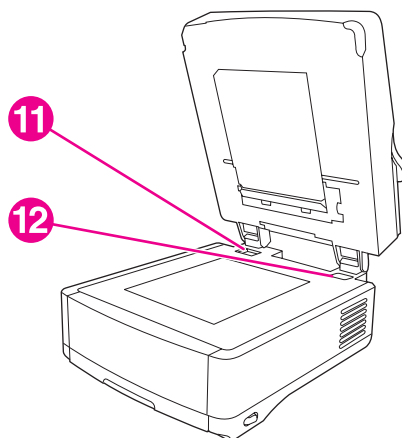
下圖顯示了產品主要零件的位置與名稱。



- 1 卡紙釋放按鈕
- 2 控制面板
- 3 開啓/關閉開關
- 4 出紙槽
- 5 ADF 進紙槽



- 6 ADF 纜線
- 7 控制面板纜線
- 8 10/100Base-T 網路連接埠
- 9 EIO 連接埠
- 10 電源連接器

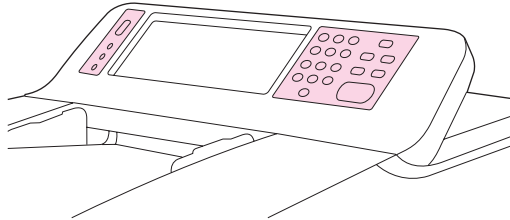


- 11 掃描器鎖
- 12 序號

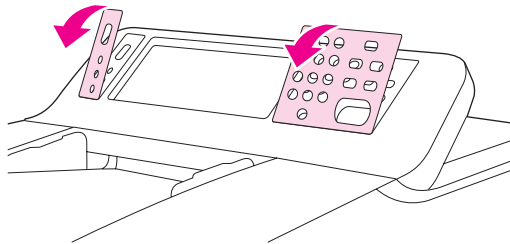
步驟 3. 更換控制面板說明卡

本裝置控制面板上已安裝隨附的說明卡，其他語言的說明卡可能包含在包裝箱內。如有需要，請按照下列程序更換控制面板說明卡以支援所需的語言。

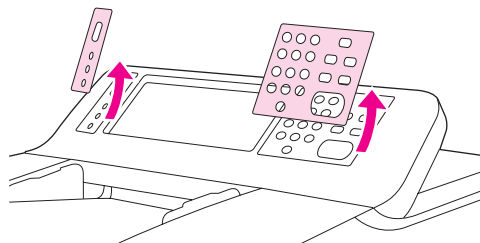
1. 找出兩張控制面板說明卡。



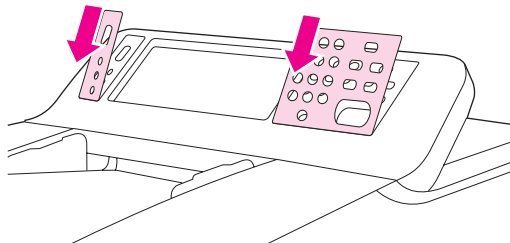
2. 將小的平口螺絲起子或其他細長的工具插入其中一張說明卡頂端邊緣的凹槽中，將頂端撬離控制面板。



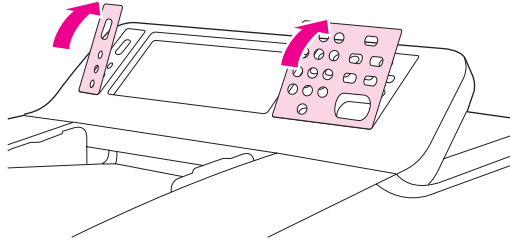
3. 向上向後提起說明卡，以將其從產品上取下。



4. 將新的說明卡置於控制面板上。將說明卡的末端與控制面板上的小孔對齊，然後將說明卡滑入控制面板。



5. 將說明卡穩固地卡入控制面板。確定說明卡平直壓在控制面板上。

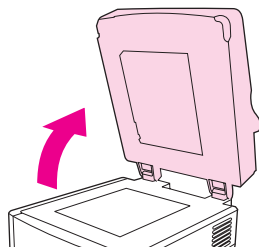


6. 重複步驟 2 至 5 以更換第二張說明卡。

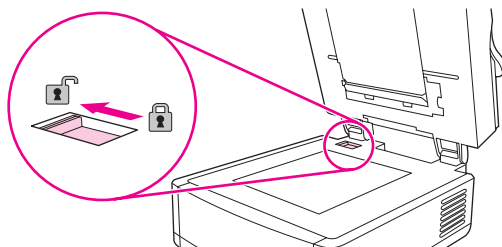
步驟 4. 解除鎖定掃描頭

為防止在運送途中受損，掃描頭會予以鎖定。請按照下列說明解除鎖定掃描頭。

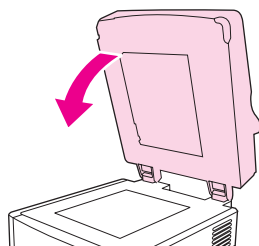
1. 打開數位傳送器頂蓋。



2. 解除鎖定掃描頭。

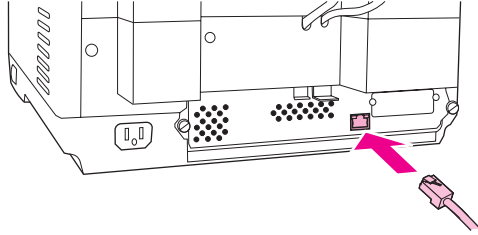


3. 合上數位傳送器頂蓋。



步驟 5. 連接網路纜線

使用本裝置背面的 RJ-45 連接器將本產品連接至高速乙太網路 100Base-TX 或乙太網路 10Base-T 網路。

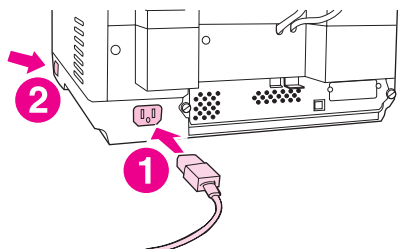


步驟 6. 連接電源線

1. 將電源線連接至本產品的電源線連接器，然後將電源線連接至適當的交流電 (AC) 電源插座。

注意

本產品操作可使用 110/120 伏特 (V)、60 赫茲 (Hz) 電源或 220/240 V、50 Hz 電源。



2. 使用電源按鈕開啓本產品電源。在本產品預熱之後，顯示幕上將會出現提示，要求您設定控制面板顯示幕的語言 (請參閱[步驟 7. 設定控制面板設定值](#))

步驟 7. 設定控制面板設定值

第一次開啓裝置電源時，控制面板顯示幕上會顯示提示，要求您設定語言、日期及時間。

設定控制面板語言

根據預設值，產品上的控制面板將以英文顯示訊息。您可以使用控制面板功能表設定本產品，以其他支援的語言顯示訊息。第一次開啓本產品電源時，控制面板顯示幕上將會出現 **LANGUAGE** 功能表。請選擇語言以繼續操作。

注意

如果在 60 秒內未選擇語言，系統會將語言設定為英文。您必須按照下列程序才能變更語言。

請按照下列說明變更控制面板語言。

1. 按下控制面板上的「**MENU**」按鈕。
2. 點選 **CONFIGURE DEVICE** (第三個功能表項目)。
3. 點選 **SYSTEM SETUP** (第四個功能表項目)。
4. 向下捲動並點選 **LANGUAGE** (最後一個功能表項目)。
5. 點選所需的語言。

設定日期與時間

設定語言後，控制面板顯示幕上會顯示目前的日期與時間。如果顯示的日期與時間不正確，請點選 **OK** (確定) 以進行設定。如果顯示的日期與時間正確，請點選 **Exit** (結束)。一旦設定日期與時間，裝置內的即時時鐘就會保持正確的時間。

步驟 8. 指定 IP 位址

要使裝置正常運作，必須為其指定有效的網路 IP 位址。如果您的網路使用動態主機設定通訊協定 (DHCP)，系統將自動指定此 IP 位址。DHCP 是數位傳送器中的預設值。如果您使用的不是 DHCP，則需要手動指定 IP 位址。

尋找 DHCP IP 位址

使用下列方法之一可尋找 DHCP 自動指定的 IP 位址。

- 查看數位傳送器控制面板顯示幕的左上角。**Ready** (就緒) 的旁邊應該會顯示 IP 位址。
- 如果控制面板顯示幕上未顯示 IP 位址，請按下控制面板上的「**MENU**」(功能表) 按鈕。點選 **INFORMATION** (資訊) 功能表，然後點選 **CONFIGURATION** (設定)。數位傳送器的設定資訊將出現在觸控螢幕上。點選 **OK** (確定) 按鈕以查看 Jetdirect 資料。捲動資訊，直至找到 IP 位址。

手動指定 IP 位址

如果要為裝置指定 IP 位址，請按照下列說明進行。

1. 按下控制面板上的「**MENU**」(功能表) 按鈕。
2. 點選 **CONFIGURE DEVICE** (設定裝置)。
3. 向下捲動並點選 **I/O**。
4. 向下捲動並點選 **EMBEDDED JETDIRECT MENU** (嵌入式 JETDIRECT 功能表)。
5. 點選 **TCP/IP**。
6. 點選 **CONFIG METHOD** (設定方法)。
7. 點選 **MANUAL** (手動)。
8. 點選 **MANUAL SETTINGS** (手動設定值)。
9. 點選 **IP ADDRESS** (IP 位址)，然後使用控制面板上的鍵盤鍵入裝置的專屬 IP 位址。

步驟 9. 安裝與設定軟體

在支援 HP 數位傳送軟體 (HP DSS) 服務的伺服器上安裝軟體。安裝後，HP DSS 會以背景服務的形式執行。將在伺服器重新啟動時自動啟動。

注意

要成功完成軟體安裝程序，必須開啓數位傳送器的電源並將其連線至網路。

準備工作

在軟體安裝過程中，系統會提示您設定數位傳送選項。爲了完成此設定，您需要下列資訊：

- 軟體 CD-ROM 標籤上的軟體使用授權碼
- 將用於從數位傳送器傳送電子郵件之 SMTP 電子郵件伺服器的主機名稱或 IP 位址

注意

強烈建議您將 SMTP 閘道位於自己的區域網路中。但是，即使您的郵件服務是由外部網際網路服務供應商 (ISP) 透過數位用戶線路 (DSL) 所提供，您也可以設定產品以使用電子郵件功能。

- 將用於擷取電子郵件地址之 LDAP 伺服器的主機名稱或 IP 位址 (選用)
- 爲傳送至資料夾功能所設定的所有資料夾路徑
- 數位傳送器的主機名稱或 IP 位址

注意

此處提供的安裝步驟僅適用於基本安裝。要獲得更多詳細資料與進階設定資訊，請參閱《HP 9200C Digital Sender 支援指南》。

安裝軟體

1. 將 HP DSS CD-ROM 放入 CD-ROM 光碟機。在安裝程式啟動時，在起始螢幕上選擇 **Install Now** (立即安裝)。

注意

安裝程式應會自動啟動。如果沒有自動啟動，請瀏覽至 CD-ROM 光碟機，然後執行 SETUP.EXE 檔案。

2. 在 **Choose Setup Language** (選擇安裝語言) 對話方塊中，選擇安裝語言。安裝精靈將會啟動。
3. 在安裝的 **Welcome** (歡迎) 螢幕上，按一下 **Next** (下一步)。
4. 按一下 **Yes** (是)，表示接受 HP 軟體使用授權條款。
5. 接受預設安裝位置，或按一下 **Browse** (瀏覽) 以選擇其他位置。
6. 軟體檔案安裝完成後，**HP MFP Digital Sending Software Configuration Wizard** (HP MFP 數位傳送軟體設定精靈) 將會出現。

第一次安裝 HP 數位傳送軟體時，該軟體可在設定時間內以試用模式執行。Configuration Wizard (設定精靈) 第一個螢幕上的 **Licenses** (使用授權) 部分會顯示「Trial License (試用授權)」項目。剩餘試用期將顯示在此項目中。試用期到期後，必須安裝有效使用授權才能繼續使用軟體。

要輸入使用授權碼，請按一下 **Add** (新增) 按鈕，輸入軟體 CD-ROM 標籤上的使用授權碼，然後按一下 **OK** (確定)。

7. 在螢幕中的 **Administrator Information** (管理員資訊) 部分，填寫管理員聯絡資訊。如果要透過電子郵件收到有關需要管理員援助的錯誤通知，請選擇 *Notify administrator of critical errors* (將嚴重錯誤通知管理員)。
8. 按一下 **Next** (下一步) 以繼續 **E-Mail Settings** (電子郵件設定值) 螢幕。
9. 設定電子郵件設定值：
 - a. 按一下 **Find Servers** (尋找伺服器) 以尋找網路上的 **SMTP** 伺服器。
 - b. 在出現的對話方塊中，選擇要用來從數位傳送器傳送電子郵件的 **SMTP** 伺服器，然後按一下 **OK** (確定)。

注意

如果要使用備用伺服器，按住 **CTRL** 鍵的同時選擇伺服器以選擇多個伺服器。

- c. 選擇新增的 **SMTP** 伺服器，然後按一下 **Test** (測試) 以測試其功能。如果測試未成功，請與網路管理員聯絡以確定 **SMTP** 伺服器能否正常運作。

10. 按一下 **Next** (下一步) 以繼續 **Secondary E-mail Settings** (次要電子郵件設定值) 螢幕。

注意

次要電子郵件乃設計用於要求額外資料安全措施的解決方案，它與一般的電子郵件功能不同的是，它需要使用協力廠商電子郵件安全軟體程式才能傳送電子郵件。本程序不包含次要電子郵件的設定。如果您要啓用次要電子郵件，請參閱《*HP 9200C Digital Sender 支援指南*》以取得說明。

11. 按一下 **Next** (下一步) 以繼續 **Authentication Settings** (驗證設定值) 螢幕。
12. 驗證是一項重要安全功能。HP 強烈建議您在數位傳送器上啓用驗證功能，以防止他人未經授權使用裝置。但是，使用數位傳送器傳送文件無需進行驗證。如果您不想在此時啓用驗證功能，請跳至步驟 13。

要啓用驗證功能，請先在 **Authentication Method** (驗證方法) 下拉式清單中選擇某個選項。這是本裝置用來檢查使用者登入憑證的方法。可用的選項如下所示。

- None (無)
- Microsoft Windows
- LDAP server (LDAP 伺服器)
- Novell NDS (如果使用 Novell 用戶端軟體)
- Novell Bindery (如果使用 Novell 用戶端軟體)

選定某個選項後，剩餘設定值會出現在螢幕上。

- a. 按一下 **Find Servers** (尋找伺服器) 按鈕。 **Select LDAP Server** (選擇 LDAP 伺服器) 對話方塊將會出現，其中包括網路上的 LDAP 伺服器清單 (系統可能會先提示您輸入網路登入資訊)。
- b. 選擇要使用的 LDAP 伺服器。有關選定伺服器的資訊將會出現。
- c. 按一下 **OK** (確定) 以接受選定伺服器。伺服器資訊將填入 **Authentication Settings** (驗證設定值) 螢幕。
- d. 按一下 **Test** (測試) 按鈕以測試設定值。在 **Test User Authentication** (測試使用者驗證) 對話方塊中，輸入網路使用者的網路登入憑證，以測試 LDAP 能否成功擷取電子郵件地址。如果測試不成功，請與網路管理員聯絡以排除 LDAP 設定的問題。

13. 按一下 **Next** (下一步) 以繼續 **Fax Settings** (傳真設定值) 螢幕。

注意

本程序不包含傳真設定。如果您要啓用傳送至傳真功能，請參閱《*HP 9200C Digital Sender 支援指南*》以取得說明。

14. 按一下 **Next** (下一步) 以繼續 **Folder Settings** (資料夾設定值) 螢幕。

15. 如果要啓用傳送至資料夾功能，請核取 **Enable Send to Folder** (啓用傳送至資料夾) 核取方塊。

- 按一下 **Add...** (新增…) 以新增資料夾。 **Add Predefined Folder** (新增預先定義的資料夾) 對話方塊將會出現。
- 在 **Alias Name** (別名) 文字方塊中鍵入資料夾的名稱。此名稱會出現在裝置控制台介面中。
- 按一下 **Browse...** (瀏覽…) 以瀏覽到資料夾位置，然後按一下 **OK** (確定) 接受選定位置。

注意

支援資料夾目的地的作業系統為 Windows 98、Windows NT、Windows 2000、Windows Server 2003、Windows XP 及 Novell NetWare。

- 在 **Access Credentials** (存取憑證) 下拉式清單中，選擇要用於存取資料夾的憑證。如果選定 **Public** (公共)，程式會使用 **Folders Settings** (資料夾設定值) 螢幕中的 **Credentials to Access Public Folders** (存取公共資料夾憑證)。如果選定 **MFP User** (MFP 使用者)，程式會利用使用者用來登入裝置的憑證。
 - 按一下 **OK** (確定) 儲存設定值。新資料夾會新增至清單中。
 - 重複步驟 a 至 e 可新增更多資料夾。
 - 在 **Folders** (資料夾) 標籤的 **Credentials to Access Public Folders** (存取公共資料夾憑證) 區域中，鍵入公共存取憑證以將檔案儲存至資料夾中。必須先提供此資訊，才能儲存資料夾清單。
16. 按一下 **Next** (下一步) 以繼續 **Workflow Settings** (工作流程設定值) 螢幕。

注意

本程序不包含工作流程設定。如果您要啓用傳送至工作流程功能，請參閱《*HP 9200C Digital Sender 支援指南*》以取得說明。

17. 按一下 **Next** (下一步) 以繼續 **Addressing Settings** (位址設定值) 螢幕。

18. 如果網路支援此功能，請核取 **Enable PABs** (啓用 PAB [個人通訊錄]) 核取方塊，以讓使用者在數位傳送器中使用其 Microsoft Outlook 通訊錄。

注意

此為選用功能，要求啓用驗證並設定為 Microsoft Windows，還要求使用 Microsoft Messaging API (MAPI)。請參閱《*HP 9200C Digital Sender 支援指南*》以取得更多資訊。

19. 按一下 **Next** (下一步) 以繼續 **Preferences Settings** (喜好設定設定值) 頁面。

20. 再按一下 **Next** (下一步)。會出現一個對話方塊詢問您是否要設定 MFP 以利用該服務。按一下 **Yes** (是)。

21. 在 **MFP Configuration** (MFP 設定) 螢幕上，按一下 **Add...** (新增…)。 **Add MFPs** (新增 MFP) 對話方塊將會出現。

22. 按一下 **Find MFPs** (尋找 MFP) 按鈕以尋找網路上的所有 MFP 與數位傳送器。在出現的清單中，選擇要安裝的數位傳送器。

注意

如果您知道裝置的主機名稱或 IP 位址，則可在 **Manually enter an MFP's network name** (手動輸入 MFP 網路名稱) 下的 **Hostname or IP Address** (主機名稱或 IP 位址) 文字方塊中鍵入此資訊，而無需使用 **Find MFPs** (尋找 MFP) 按鈕。

23. 按一下 **Add-->** (新增-->) 按鈕以將裝置新增至 **MFP List** (MFP 清單)。
24. 按一下 **Close** (關閉) 以關閉 **Add MFPs** (新增 MFP) 對話方塊。數位傳送器隨即出現在 **MFP Configuration** (MFP 設定) 螢幕的 MFP 清單中。
25. 選擇數位傳送器，然後按一下 **Configure MFP** (設定 MFP) 按鈕。使用 **Configure MFPs** (設定 MFP) 視窗中的設定值以啟用數位傳送器的數位傳送選項。
- 選擇 **Send to Email** (傳送至電子郵件) 標籤。核取 **Enable Send to Email** (啟用傳送至電子郵件) 核取方塊，然後在 **Send Emails** (傳送電子郵件) 下拉式清單中，選擇 **via the Digital Sender service** (透過數位傳送器服務)。
 - 傳送電子郵件時，如果要讓使用者能夠新增自己的電子郵件訊息，請按一下 **Advanced** (進階) 按鈕，然後核取 **Editable by user** (使用者可進行編輯) 核取方塊。
 - 選擇 **Send to Folder** (傳送至資料夾) 標籤，然後核取 **Enable Send to Folder** (啟用傳送至資料夾) 核取方塊。
 - 如果要啟用驗證，請選擇 **Authentication** (驗證) 標籤，然後核取 **Enable Authentication** (啟用驗證) 核取方塊。如果不想啟用驗證，請跳至步驟 f。
 - 選擇要啟用驗證的功能，然後在 **Default Domain** (預設網域) 下拉式方塊中選擇網域。
 - 如果要讓 HP DSS 直接從 LDAP 伺服器擷取電子郵件地址，請移至 **Addressing** (位址) 標籤，然後核取 **Allow MFP to directly access an LDAP Address Book** (允許 MFP 直接存取 LDAP 通訊錄) 核取方塊。在 **LDAP Server** (LDAP 伺服器) 下拉式清單中，選擇先前設定的 LDAP 伺服器。
 - 按一下 **OK** (確定) 以儲存 MFP 設定值。

注意

如果要設定一組數位傳送器，請使用 **MFP Configuration** (MFP 設定) 螢幕中的 **Copy Settings** (複製設定值) 按鈕，複製已設定裝置中的設定值，然後使用 **Paste Settings** (貼上設定值) 按鈕將設定值套用至其他數位傳送器。


26. 按一下 **Finish** (完成) 按鈕。最後的安裝螢幕將會出現。
27. 按一下 **InstallShield Wizard Complete** (InstallShield 精靈完成) 螢幕上的 **Finish** (完成) 按鈕以完成安裝。

步驟 10. 檢查產品安裝

使用下列程序以測試裝置的安裝與設定。

1. 在裝置控制面板顯示幕中，確認 **E-Mail** (電子郵件) 與 **Folder** (資料夾) 選項已出現。
2. 將文件正面朝上放入 **ADF** 或或正面朝下放在平台玻璃板上。
3. 在控制面板顯示幕中，點選 **E-MAIL** (電子郵件)。
4. 如果裝置提示您鍵入使用者名稱及密碼，請依指示鍵入。
5. 如果裝置未提示您登入，請點選 **From:** (寄件者：)，然後鍵入您的電子郵件地址。
6. 點選 **To:** (收件者：)，然後鍵入您的電子郵件地址。

注意

點選  可刪除任何不正確的輸入。

7. 點選 **OK** (確定)。
8. 按下「**START**」(開始)。裝置會掃描文件並將文件做為電子郵件附件傳送給您。
9. 使用 **FOLDER** (資料夾) 選項重複此程序，然後確認已將檔案傳送至正確的資料夾中。

如果文件未正確傳送檔案，請檢查產品的安裝與設定。要獲得更多資訊，請參閱《*HP 9200C Digital Sender 使用指南*》或《*HP 9200C Digital Sender 支援指南*》。

如果測試成功，您可立即掃描文件，並將文件傳送至電子郵件地址或資料夾。請參閱《*HP 9200C Digital Sender 使用指南*》以取得有關如何使用所有傳送至選項的詳細說明，並參閱《*HP 9200C Digital Sender 支援指南*》以獲得有關設定所有數位傳送功能的資訊。

3

故障排除與客戶支援

如果您在一開始安裝裝置時遇到任何問題，請使用本部分資訊。要獲得更進一步有關故障排除的資訊，請參閱《*HP 9200C Digital Sender 使用指南*》或《*HP 9200C Digital Sender 支援指南*》。

故障排除

使用下列說明排除數位傳送器安裝問題。

問題	對策
數位傳送器無法掃描，且顯示 CHECK CABLES. CHECK SCANNER LOCK. (請檢查纜線。請檢查掃描器鎖。) 的錯誤訊息。	掃描頭鎖仍處於鎖定位置。將其切換至解除鎖定位置。請參閱 步驟 4. 解除鎖定掃描頭 。
E-Mail Settings (電子郵件設定值) 螢幕上的 Find Servers (尋找伺服器) 按鈕找不到任何伺服器。	<ul style="list-style-type: none"> • 確認網路中的 SMTP 伺服器可正常運作。 • 按一下 E-Mail Settings (電子郵件設定值) 螢幕中的 Add... (新增...) 按鈕，然後鍵入 SMTP 伺服器的主機名稱或 IP 位址。鍵入位址後，按一下 Test (測試) 按鈕以確認軟體可與伺服器通訊。 • 如果測試伺服器不成功，請與網路管理員聯絡，以協助您排除與伺服器通訊的問題。 • 如果有任何其他數位傳送器或 MFP 使用 HP DSS 服務，您可使用「HP MFP DSS 設定公用程式」的 MFP Configuration (MFP 設定) 標籤上的 Copy Settings (複製設定值) 按鈕，以複製正常運作裝置的設定值，然後使用 Paste Settings (貼上設定值) 按鈕將設定值套用至其他數位傳送器。
Authentication Settings (驗證設定值) 螢幕上的 Find Servers (尋找伺服器) 按鈕找不到任何伺服器。	<ul style="list-style-type: none"> • 確認網路中的 LDAP 伺服器可正常運作。 • 在 LDAP Server (LDAP 伺服器) 文字方塊中，鍵入 LDAP 伺服器的主機名稱或 IP 位址。鍵入位址後，按一下 Find Settings (尋找設定值) 按鈕以擷取伺服器設定值，然後按一下 Test (測試) 按鈕以確認軟體可與伺服器通訊。 • 如果測試伺服器不成功，請與網路管理員聯絡，以協助您排除與伺服器通訊的問題。 • 如果有任何其他數位傳送器或 MFP 使用 HP DSS 服務，您可使用「HP MFP DSS 設定公用程式」的 MFP Configuration (MFP 設定) 標籤上的 Copy Settings (複製設定值) 按鈕，以複製正常運作裝置的設定值，然後使用 Paste Settings (貼上設定值) 按鈕將設定值套用至其他數位傳送器。

問題	對策
數位傳送器無法運作。	<ul style="list-style-type: none"> ● 確定電源線穩固地連接至裝置上，並插入電源插座。 ● 確定已開啓裝置電源。 ● 清除控制面板顯示幕上的所有錯誤訊息。 ● 確認網路纜線穩固連接至裝置上。 ● 確認裝置網路連接埠上方的兩個綠色 LED 有一個亮起。
掃描頁面為空白或出現重複樣式。	確定頁面已置於玻璃板上。
影像品質不良。	<ul style="list-style-type: none"> ● 確定要傳送的文件已正確放在 ADF 中 (正面朝上) 或玻璃板上 (正面朝下)。 ● 如有可能，嘗試變更部分掃描設定值 (如解析度或檔案類型)，以提升影像品質。
ADF 多重進紙、使紙張捲曲或經常發生卡紙。	<ul style="list-style-type: none"> ● 調整兩側導板，使其接觸到紙疊，但不要使紙疊彎曲。 ● 視裝入的材質類型而定，ADF 最多可容納 50 張紙。 ● 出紙匣最多可容納 50 張紙。確定未在出紙匣中堆入過多紙張。 ● 紙張必須平整堆放在 ADF 中。 ● 如果原稿之前用釘書機或穿孔裝訂，請確認紙張沒有黏在一起。 ● 要裝入的材質類型可能不符合要求的規格。請參閱《HP 9200C Digital Sender 使用指南》以瞭解材質規格。
電子郵件未傳送至目的地電子郵件地址。	<ul style="list-style-type: none"> ● 如果是在控制面板中鍵入電子郵件地址，請確定鍵入的地址資訊以及格式均正確 (沒有空格，包含必需的 @ 符號及句點)，然後重新傳送電子郵件訊息。 ● 重新傳送電子郵件。確定在 From: (寄件者：) 欄位中以正確格式鍵入姓名，以防止訊息被拒絕，並確保在電子郵件傳送失敗時收到回傳的訊息。 ● 請網路管理員檢查 SMTP 伺服器能否正常運作。
傳送至資料夾的文件未到達目的地資料夾。	<ul style="list-style-type: none"> ● 重新傳送該文件。 ● 檢查是否已修改檔案名稱，以解決檔案名稱相同的錯誤。
傳送頁面的底部被裁切。	如果是透過玻璃板傳送文件，則表示文件頁面過長。透過玻璃板掃描的最大文件長度為 A4，或 210 x 297 公釐 (8.27 x 11.69 英吋)。

問題	對策
控制面板使用的語言不正確。	<p>使用控制面板功能表設定正確的語言。</p> <ol style="list-style-type: none">1. 按下「MENU」(功能表) 按鈕。2. 選擇控制面板顯示幕上的 CONFIGURE DEVICE (設定裝置) (第三個功能表項目)。3. 點選 SYSTEM SETUP (系統設定) (第四個功能表項目)。4. 向下捲動並點選 LANGUAGE (語言) (最後一個功能表項目)。5. 點選正確的語言。

客戶支援

要獲得有關本產品的其他資訊，請參閱 CD-ROM 上的《HP 9200C Digital Sender 使用指南》或《HP 9200C Digital Sender 支援指南》。要獲得 HP 顧客貼心服務的資訊，請參閱產品隨附的支援傳單。您也可以瀏覽 <http://www.hp.com/support/9200c> 以取得更多資訊。

FCC 法規

此設備經測試證明符合 FCC 法規第 15 部分中關於 B 級數位裝置的限制規定。這些限制旨在提供合理保護以避免居住環境中的有害干擾。此設備會產生、使用並散發射頻能量。如果未遵照指示安裝與使用本設備，可能會對無線電通訊造成有害干擾。但是，這並不保證在個別的安装中不會產生干擾；您可以透過關閉與開啓本設備來判斷它是否會造成干擾。如果本設備確實會對無線電或電視接收造成有害干擾，我們建議使用者嘗試以下一種或多種方法來排除干擾：

- 重新調整接收天線的方向或位置。
- 將本設備與接收裝置之間的距離拉遠。
- 讓本設備改用不同的電源插座，與接收裝置的電源線路分開。
- 向您的經銷商或經驗豐富的無線電/電視技術人員查詢。

注意

未經 HP 明確同意而擅自變更或修改本裝置，可能會導致使用者失去操作此設備的權利。

索引

A

- ADF
 - 功能 1
 - 故障排除 25
 - 紙槽、尋找 9

D

- DHCP IP 位址 16
- DSS、安裝 17

E

- EIO 連接埠 9

F

- FCC 聲明 28

H

- HP DSS、安裝 17

I

- IP 位址、指定 16

S

- SMTP 伺服器、故障排除 24

四畫

- 內建 HP Jetdirect 1
- 內建 Jetdirect 1
- 手冊 2
- 支援 27
- 支援指南 2
- 日期、設定 15

五畫

- 出紙槽 9
- 功能 1
- 包裝內的物件 6
- 包裝箱內的物件 6
- 卡紙釋放按鈕 9

六畫

- 安裝
 - 要求 3
 - 核對清單 2
 - 控制面板說明卡 10

- 軟體 17
- 測試 21
- 關於 2

七畫

- 伺服器、故障排除 24
- 作業系統要求 8
- 作業環境要求 7
- 序號、尋找 9
- 系統要求 7

八畫

- 使用指南 2
- 拆封數位傳送器 6
- 法規聲明
 - FCC 28
- 空白頁、故障排除 25

九畫

- 品質、故障排除 25
- 客戶支援 27
- 故障排除
 - ADF 25
 - 空白頁 25
 - 頁面裁切 25
 - 掃描故障錯誤 24
 - 尋找伺服器 24
 - 資料夾 25
 - 電子郵件 25
 - 影像品質 25
 - 數位傳送 25
- 頁面裁切、故障排除 25

十畫

- 時間、設定 15
- 紙槽 9
- 記憶體 1

十一畫

- 控制面板
 - 尋找 9
 - 語言設定值 15
 - 說明卡 10
- 掃描故障錯誤 24
- 掃描頭鎖
 - 尋找 9
 - 解除鎖定 12

規格、功能 1
設定值
 IP 位址 16
 日期與時間 15
 語言 15
軟體、安裝 17
連接埠、尋找 9
連接網路纜線 13

十二畫

尋找伺服器、故障排除 24
測試安裝 21
硬碟 1
硬體要求 7
進紙槽 9
開啓/關閉開關 9

十三畫

溫度要求 7
解除鎖定掃描頭 12
資料夾、故障排除 25
電子郵件
 故障排除 25
 傳送至 21
電源開關 9
電源線、連接 14
零件、尋找 9

十四畫

網站、支援 2
網路卡、包含 1
網路要求 8

網路連接埠 9
網路纜線、連接 13
語言、控制面板
 說明卡、安裝 10
 變更 15
說明、線上 2
說明文件 2
說明卡、控制面板 10

十五畫

影像品質、故障排除 25
確認安裝 21
線上說明 2

十七畫

濕度要求 7
環境要求 7

十八畫

鎖、掃描器
 尋找 9
 解除鎖定 12

十九畫

邊界、掃描 1

二十畫

釋放按鈕、卡紙 9

二十五畫以上

纜線、連接 13

© 2004 Hewlett-Packard Development Company, L.P.

www.hp.com



Q5916-90905