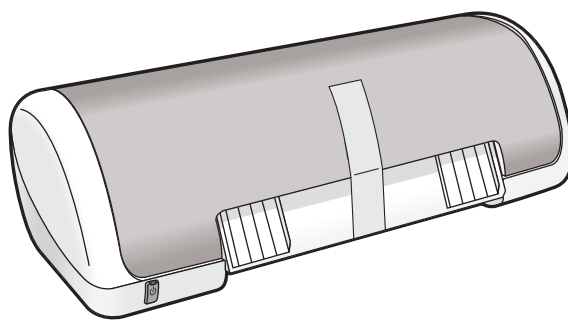


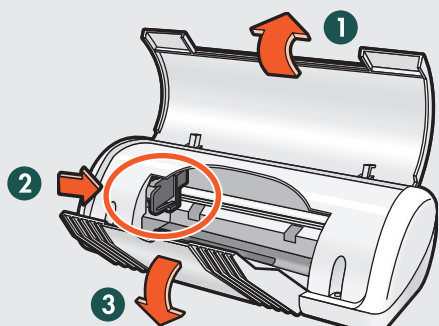
Macintosh

Setup Poster

HP Deskjet 3740 series

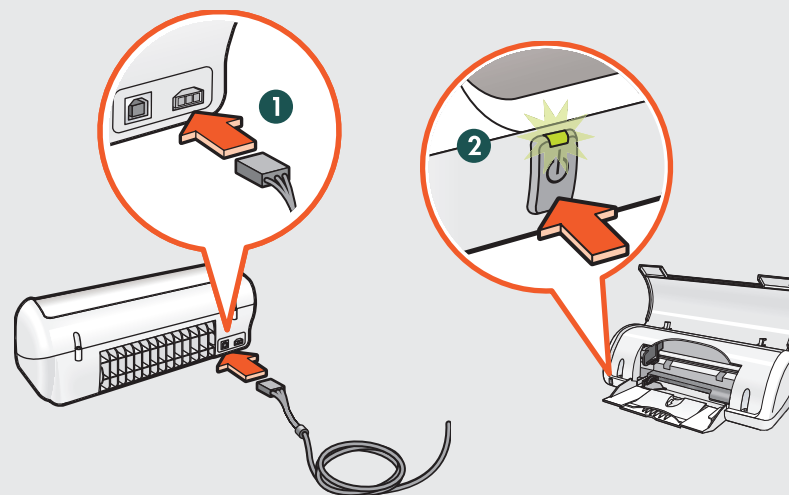


1 Remove packing material.

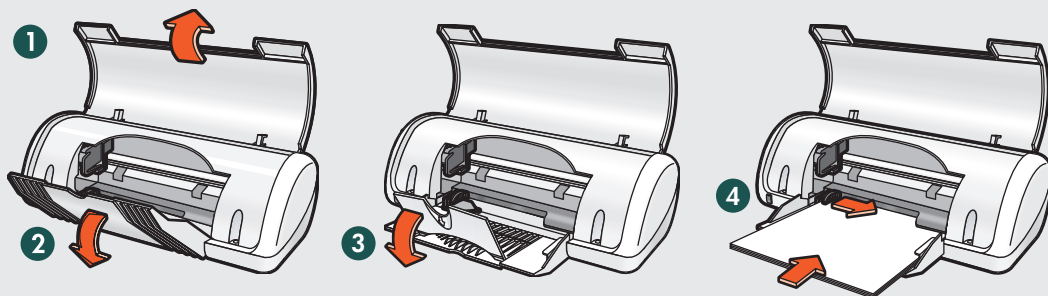


2 Plug in supplied power cord, then turn on printer.*

* You must use the supplied power cord.

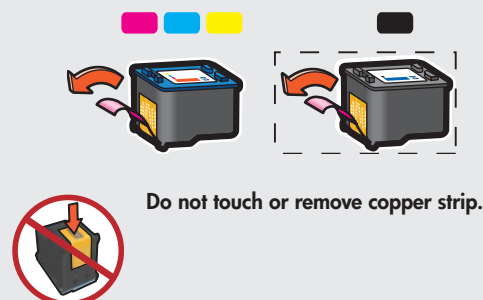


3 Load white paper. Slide paper guide firmly against paper.



4 Pull pink tab to remove clear tape.*

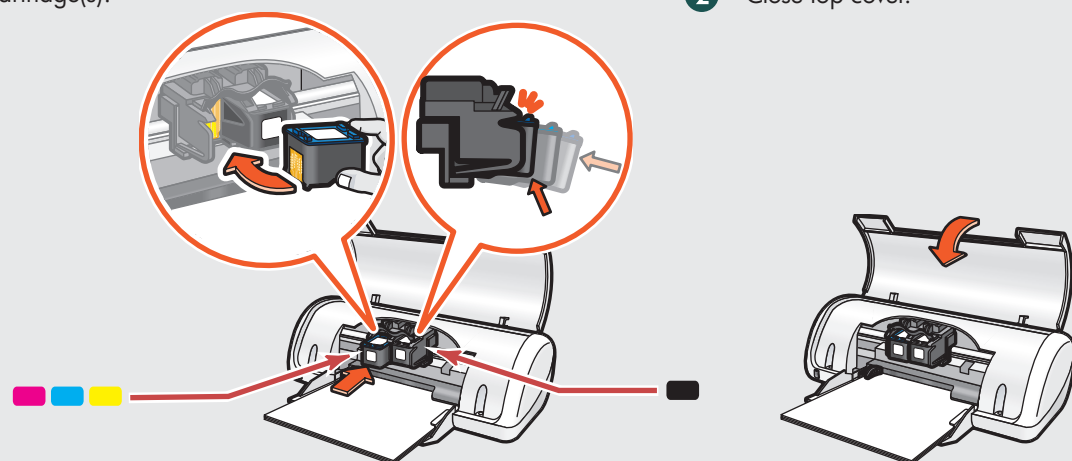
* A black ink cartridge might not be included with your printer. It is not required to operate the printer.



Do not touch or remove copper strip.

5 **1** Insert print cartridge(s). Press firmly.

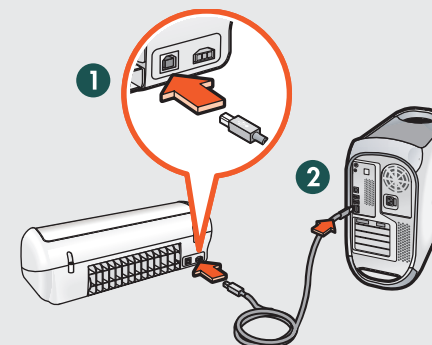
2 Close top cover.



6 Connect USB cable.*



* A USB cable might not be included with your printer.



7 Install printer software

- 1 Insert the printer software CD into the CD-ROM drive.
- 2 Double-click the CD icon in the Finder window, if it is not already open.
- 3 Double-click the installer icon.
- 4 Accept the licensing agreement, and then follow the installation instructions for your operating system.

OS X

- 1 Click **Install**. The installation program begins copying files.
- 2 Click **Quit** when the installation is complete.

OS 9.x

- 1 Click **Install**.
- 2 Click **Continue** to close all open applications. The installation program begins copying files.
- 3 Click **Restart** to restart your computer.
- 4 After your computer restarts, open **Chooser** to add the printer.

Need help? www.hp.com/support