



Startup Guide

HP Tablet PC Series

Document Part Number: 334201-002

August 2004

This guide explains how to set up your hardware and software, begin using the tablet PC and an external tablet PC keyboard, maintain your tablet PC, troubleshoot problems, and contact HP Customer Care if you need assistance. The last chapter introduces you to the exterior features of the tablet PC and the tablet PC keyboard.

Enhanced for Accessibility.

© Copyright 2003, 2004 Hewlett-Packard Development Company, L.P.

Microsoft and Windows are U.S. registered trademarks of Microsoft Corporation. Intel and Centrino are trademarks or registered trademarks of Intel Corporation or its subsidiaries in the United States and other countries. SD Logo is a trademark of its proprietor. Bluetooth is a trademark owned by its proprietor and used by Hewlett-Packard Company under license. Adobe is a trademark of Adobe Systems Incorporated.

The information contained herein is subject to change without notice. The only warranties for HP products and services are set forth in the express warranty statements accompanying such products and services. Nothing herein should be construed as constituting an additional warranty. HP shall not be liable for technical or editorial errors or omissions contained herein.

Startup Guide
HP Tablet PC Series
Second Edition August 2004
First Edition October 2003
Reference Number: TC1100
Document Part Number: 334201-002

Using This Guide

This preface explains how to interpret the symbols and text styles in your tablet PC documentation.

Warnings, Cautions and Notes

Warnings and cautions contain important information that can protect you, your work, and your system. Always read warnings and cautions.

Notes contain additional information about a topic. Some notes provide basic information for inexperienced users. Others provide technical information for advanced users.

The following icons identify warnings, cautions, and notes.



WARNING: The information in a warning protects against bodily harm or loss of life.



CAUTION: The information in a caution protects against damage to your work, your tablet PC, or an optional external device.



The information in a note provides supplementary details for inexperienced or advanced users.

Text Styles

Some text in your tablet PC documentation is styled typographically to help you interpret the information it contains. For example, keyboard keys are styled like this: **shift**. Buttons that display on the screen are styled like this: Next button.

The following table identifies and explains the text styles used in your tablet PC documentation.

Style	Explanation
keys	Identifies a key, such as enter , on an external keyboard. A plus sign (+) between 2 or more keys indicates that they are a key combination. To use most key combinations, press and hold the first key, press and hold each succeeding key, then release all the keys simultaneously. Unless you are instructed to do so, do not press the keys in a key combination simultaneously.
commands	Identifies characters you are asked to type. For example, to visit the HP Web site, you would type http://www.hp.com into the address field on your Web browser.

Contents

Using This Guide

1 Setting Up the Tablet PC

Setting Up Tablet PC Hardware with a Tablet PC	
Keyboard	1-2
Before You Begin	1-3
Opening the Tablet PC and Keyboard	1-4
Inserting the Battery Pack	1-5
Securing a Battery Pack	1-9
Setting Up the Tablet PC and Keyboard as a Notebook	1-10
Connecting the Tablet PC to External Power	1-14
Turning On the Tablet PC	1-16
Setting Up Tablet PC Hardware with a Standard USB	
Keyboard	1-17
Before You Begin	1-18
Inserting the Battery Pack	1-19
Securing a Battery Pack	1-21
Connecting a Standard USB Keyboard	1-22
Connecting the Tablet PC to External Power	1-23
Turning On the Tablet PC	1-25
Setting Up the Software	1-26
Setting Up the Pen	1-28
Entering Information with the Pen	1-28
Calibrating the Pen	1-30
Using the Pen Holder	1-31

- Selecting Regional Settings 1–31
 - Selecting Regional Settings in a Multilingual User Interface (MUI) 1–32
- Selecting Screen Settings 1–32
- Setting Up Wireless LAN 1–33
 - Using Wireless Utilities 1–33
 - Setting Up Bluetooth 1–36
 - Using the Q Menu to Turn on Wireless LAN 1–36
- Turning Off the Tablet PC 1–37
- Using the Tablet PC Safely 1–37

2 Beginning to Use the Tablet PC

- Getting Information About the Tablet PC 2–1
 - Taking the Product Tour 2–1
 - Accessing Operating System Documentation 2–1
 - Obtaining Modem and Network Information 2–2
 - Using the Documentation Library CD 2–2
 - Opening the Documentation Library CD 2–3
 - Selecting a Guide 2–4
- Installing Optional Software 2–6
- Using the Tablet PC Keyboard 2–8
 - Attaching the Tablet PC to the Keyboard 2–8
 - Adjusting the Tablet PC and Keyboard 2–10
 - Closing the Tablet PC and Keyboard 2–11
 - Transporting the Tablet PC and Keyboard 2–12
 - Detaching the Tablet PC from the Keyboard 2–13

3 Maintaining and Protecting the Tablet PC

- Cleaning the Screen 3–1
- Protecting the Tablet PC from Power Surges 3–2
- Protecting the Tablet PC Against Viruses 3–2

Replacing a Battery Pack	3–3
Removing a Battery Pack	3–3
Inserting a Battery Pack.	3–6
Finding More Power and Battery Pack Information	3–8

4 Solving Problems

Quick Solutions Checklist	4–1
Is the Tablet PC Receiving Power?	4–1
Is the Tablet PC Turned On?	4–3
Is the Tablet PC in Standby or Hibernation?	4–3
Is the Tablet PC Overheating?	4–4
Is the Image Not Visible?	4–4
Is the System Unresponsive?	4–5
Is an External Device Not Working?	4–6
Are You Using All Available Documentation?	4–6
Is Software Functioning Abnormally?	4–7
Using HP Help and Support	4–7
Preparing to Call HP Customer Care.	4–9
Taking the Tablet PC to a Service Provider	4–10

5 Identifying Exterior Hardware

Pen Components.	5–1
Tablet PC Components	5–2
Front: Lights and Bluetooth.	5–2
Front: Pen-Activated Buttons	5–3
Right Side: Power Switch and Power/Standby Light.	5–4
Right Side: Display Toggle and Windows Security Buttons	5–5
Right Side: Esc, Tab and Q Menu Buttons	5–6
Right Side: Jog Dial and Antenna	5–7
Lower Side.	5–8

- Left Side: Attachment Slots and Keyboard Connector 5–9
- Left Side: Security Cable Slot, Vent and Antenna 5–10
- Top: Connectors and Jacks 5–11
- Top: Pen Holder and LAN Connection Lights 5–12
- Top: Card Slots, Buttons and Tether Eyelet 5–13
- Back: Attachment Features and Hard Drive Bay 5–14
- Back: Battery Bay 5–15
- Back: Memory and Mini PCI Compartment 5–16
- Back: Labels 5–17
- Back: Tilt Feet and Pad Feet 5–18
- Additional Tablet PC Standard Components 5–19
 - Documentation CDs 5–19
 - Cord and Cables 5–20
 - Adapters and Accessories 5–21
- Tablet PC Keyboard Components 5–22
 - Front: Lights and Pointing Device 5–22
 - Front: Keys 5–23
 - Front: Positioning and Security Features 5–24
 - Top 5–25
 - Back 5–26
 - Additional Keyboard Standard Component 5–27

Index

1

Setting Up the Tablet PC

This chapter provides information about setting up the tablet PC. The tablet PC must be set up initially with a keyboard, which may be either the tablet PC keyboard or a standard USB keyboard. This chapter also provides instructions for setting up the tablet PC software, the pen, and the wireless device(s).

For Information About These Topics:	Refer to These Sections:
Setting up the tablet PC hardware	When setting up with a Tablet PC Keyboard: “Setting Up Tablet PC Hardware with a Tablet PC Keyboard” When setting up with a standard USB Keyboard: “Setting Up Tablet PC Hardware with a Standard USB Keyboard”
Setting up the tablet PC software	“Setting Up the Software”
Setting up and using the tablet pen	“Setting Up the Pen”
Wireless LAN and Bluetooth® Configuration	“Setting Up Wireless LAN”
Safety	“Using the Tablet PC Safely”
Troubleshooting	Chapter 4, “Solving Problems”
Tablet PC buttons and other hardware components	Chapter 5, “Identifying Exterior Hardware”

Setting Up Tablet PC Hardware with a Tablet PC Keyboard

During the hardware setup, you will:

- Unzip and open the portfolio that contains the tablet PC and tablet PC keyboard.
- Insert the battery pack into the tablet PC, so that the battery pack can charge.



CAUTION: To prevent unsuccessful software installations or modifications, do not run the tablet PC on the battery pack while you are setting up or modifying system software.

- Position the tablet PC and keyboard, so that the system can be used as a notebook.
- Connect the tablet PC to external power.
- Turn on the tablet PC.

For detailed instructions on these tasks, refer to the following pages in this section.

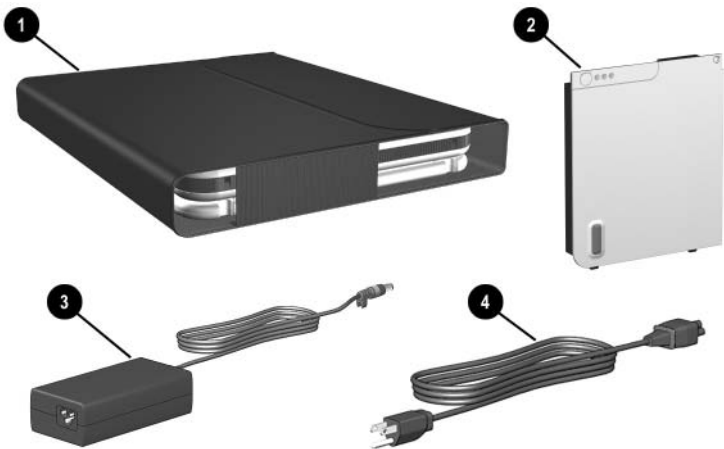
Before You Begin

To set up the tablet PC, tablet PC keyboard, and battery pack, you need the:

- ① Portfolio, containing the tablet PC and the tablet PC keyboard
- ② Battery pack
- ③ AC adapter
- ④ Power cord



If you are setting up the tablet PC without a tablet PC keyboard, see [“Setting Up Tablet PC Hardware with a Standard USB Keyboard,”](#) later in this chapter.



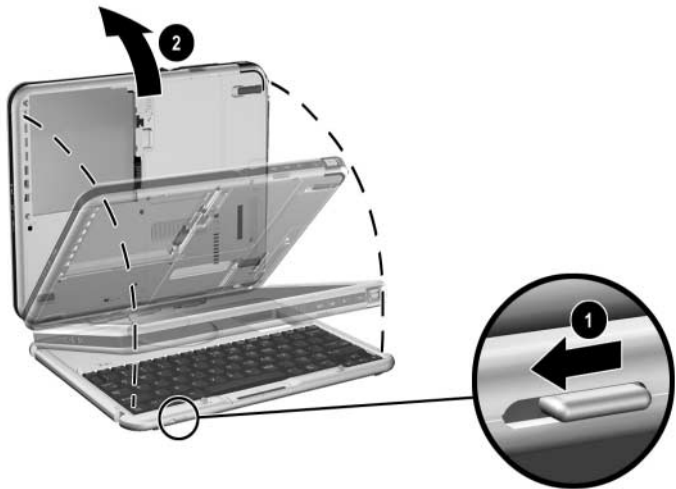
Identifying setup hardware (AC adapters and power cords vary by region)

Opening the Tablet PC and Keyboard

The tablet PC and keyboard are latched in the closed position on shipment.

To open the tablet PC and keyboard without detaching the tablet PC from the keyboard:

1. Turn the assembly (tablet PC and keyboard) so that the keyboard latch is facing you.
2. Push the keyboard latch firmly to the left to unlock the tablet PC from the keyboard ❶. Then slide and hold the keyboard latch to the left as you raise the edge of the tablet PC that is facing you ❷.
3. Continue raising the edge of the tablet PC until the tablet PC is perpendicular to the keyboard, with the back of the tablet PC facing you.



Unlatching and opening the tablet PC and keyboard

Inserting the Battery Pack

Insert the battery pack into the back of the tablet PC.

1. To position the assembly (tablet PC and tablet PC keyboard) for the insertion:
 - a. Turn the assembly so the keyboard faces toward your right.



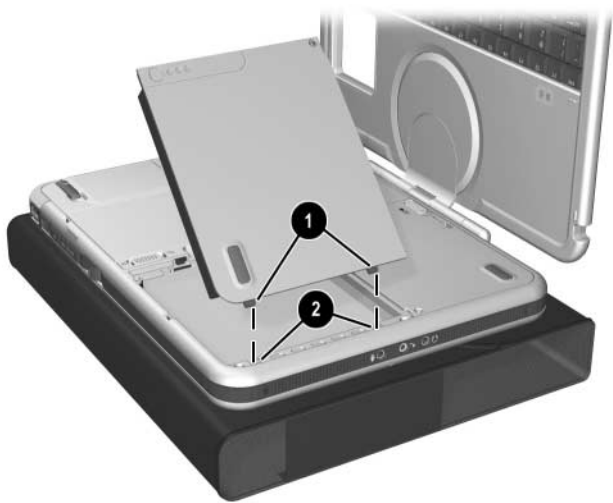
Positioning the assembly for the battery pack insertion

- b. Tilt the assembly toward the left side of the portfolio until the tablet PC screen is face down and the keyboard is perpendicular to the tablet PC.



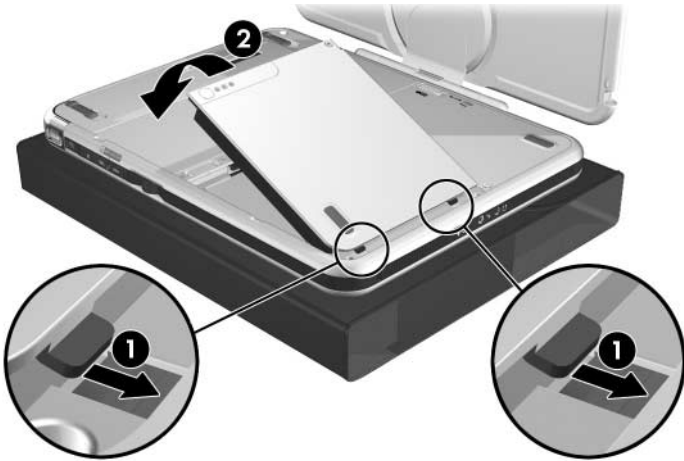
Tilting the assembly so the screen is face down

2. Align the 2 rectangular tabs **1** on the battery pack with the 2 rectangular alignment slots **2** on the battery bay of the tablet PC.



Aligning the battery pack tabs with the battery bay alignment slots

3. Insert the 2 alignment tabs on the battery pack into the 2 alignment slots on the battery bay of the tablet PC ❶.
4. Tilt the battery pack downward until it snaps into place ❷.



Inserting the battery pack

The battery pack begins to charge as soon as the tablet PC is connected to external power. Instructions for connecting the tablet PC to external power are provided later in this section.

Securing a Battery Pack

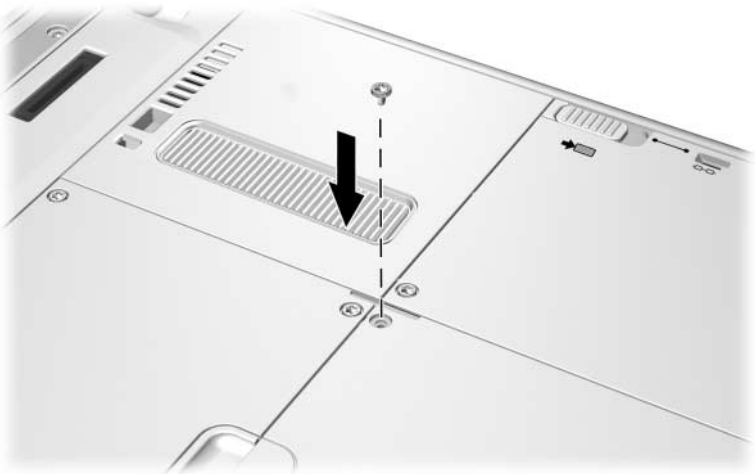
Use the battery pack security screw to hold the battery pack in place, and to protect against theft of the battery pack.

A battery pack security screw ships inside the battery bay.

Inserting a Battery Pack Security Screw

To secure the battery pack in the battery bay with a battery pack security screw:

1. Insert the battery pack into the battery bay as instructed in [“Inserting the Battery Pack,”](#) earlier in this section.
2. Insert a battery pack security screw through the battery pack case and into the tablet PC.



Inserting a battery pack security screw

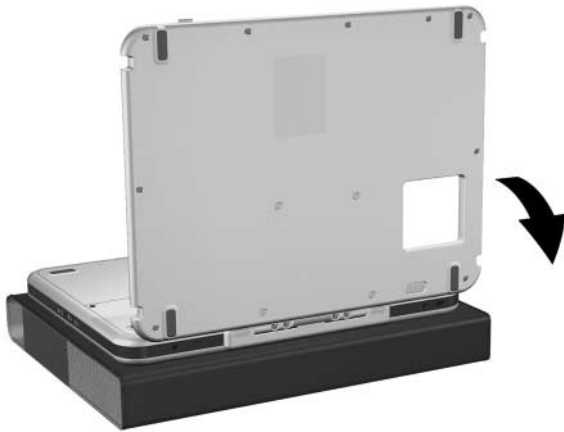


The purpose of security solutions is to act as a deterrent. These solutions do not prevent the product from being mishandled or stolen.

Setting Up the Tablet PC and Keyboard as a Notebook

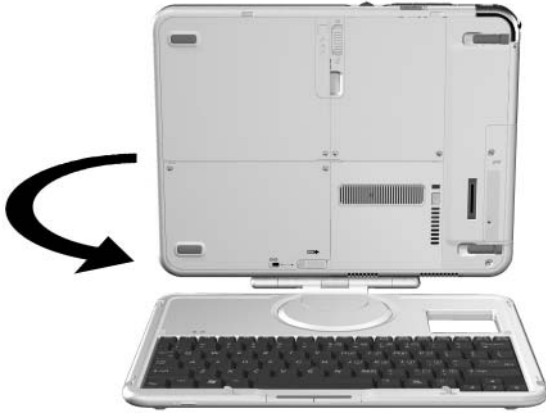
To set up the tablet PC and keyboard as a notebook:

1. With the tablet PC keyboard perpendicular to the tablet PC and facing away from you (as shown below), tilt the keyboard downward until the keyboard is lying flat and facing you. The tablet PC will be perpendicular to the keyboard, with the back of the tablet PC facing you.



Tilting the tablet PC and keyboard toward the notebook position

2. Turn the assembly (tablet PC and keyboard) so that the keyboard and the back of the tablet PC face you.



Turning the assembly so that the keyboard and the back of the tablet PC face you

3. Rotate the tablet PC on the rotation disc counterclockwise until it snaps into place facing the keyboard.



Rotating the tablet PC toward the front of the keyboard

4. To tilt the tablet PC screen to a comfortable viewing angle, gently push back on the top of the tablet PC.



Adjusting the tablet PC screen

Connecting the Tablet PC to External Power

CAUTION: To prevent file corruption and be sure that the correct drivers load, do not turn on the tablet PC for the first time while it is docked in an optional Tablet PC Docking Station.

To connect the tablet PC to external AC power:

1. Plug the AC adapter cable **1** into the AC power connector **2** on the tablet PC.



*Plugging the AC adapter cable into the AC power connector
(AC adapters vary by region)*

2. Plug the power cord into an electrical outlet ❶ and into the AC adapter ❷.

When the tablet PC receives AC power:

- ❑ The AC adapter light ❸ turns on.
- ❑ The battery pack begins to charge and the battery light ❹ turns on. When the battery pack is fully charged, the battery light turns off.



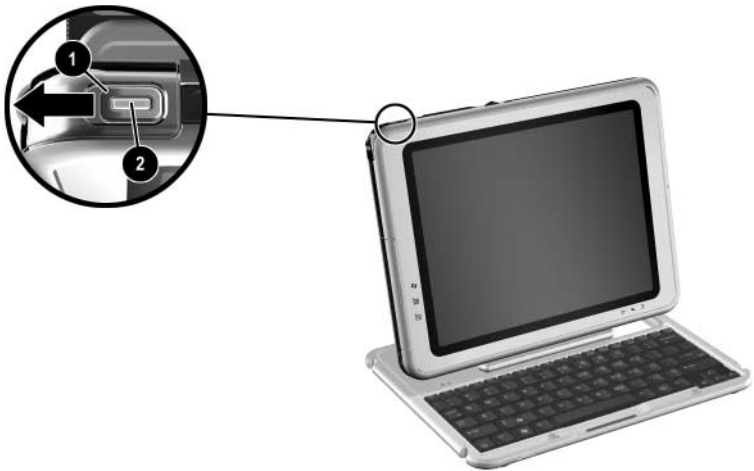
Plugging the power cord into the AC adapter and an electrical outlet (AC adapters, power cords, and electrical outlets vary by region)

Turning On the Tablet PC

To turn on the tablet PC, slide and release the power switch ❶. When the tablet PC is on:

- The power/standby light ❷ turns on.
- You are prompted to begin software setup.

If the tablet PC does not turn on, see [Chapter 4, “Solving Problems.”](#)



Turning on the tablet PC

After you turn on the tablet PC, proceed to the next steps:

- [“Setting Up the Software”](#)
- [“Setting Up the Pen”](#)
- [“Selecting Regional Settings”](#)
- [“Selecting Screen Settings”](#)
- [“Setting Up Wireless LAN”](#)

Setting Up Tablet PC Hardware with a Standard USB Keyboard

To set up a tablet PC with a standard USB keyboard, follow the instructions in this section. A standard USB keyboard can be purchased from your dealer or from most computer retailers.



To set up a tablet PC with a tablet PC keyboard, see [“Setting Up Tablet PC Hardware with a Tablet PC Keyboard,”](#) earlier in this chapter.

During the hardware setup, you will:

- Remove the tablet PC from the portfolio.
- Insert the battery pack into the tablet PC so that the battery pack can charge.
- Connect the tablet PC to external power.

△ To prevent unsuccessful software installations or modifications, run the tablet PC on external power while you are setting up or modifying system software.

- Connect an optional USB keyboard to the tablet PC so that the keyboard can be used during software setup.

During software setup you are prompted to press the **F10** key on a keyboard attached to the tablet PC. The keyboard can be either a tablet PC keyboard or a standard USB keyboard.

- Turn on the tablet PC.

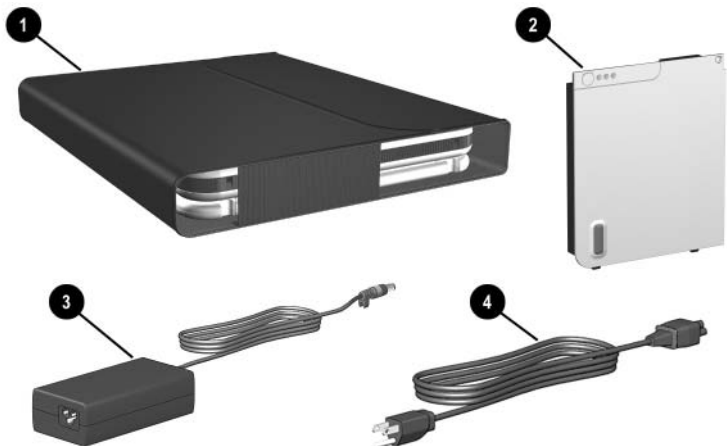
For detailed instructions on these tasks, see the following pages in this section.

Before You Begin

To set up the tablet PC and battery pack, you need the:

- ❶ Portfolio, containing the tablet PC
- ❷ Battery pack
- ❸ AC adapter
- ❹ Power cord

To set up the tablet PC software, you will also need a standard USB keyboard.



Identifying setup hardware (AC adapters and power cords vary by region)

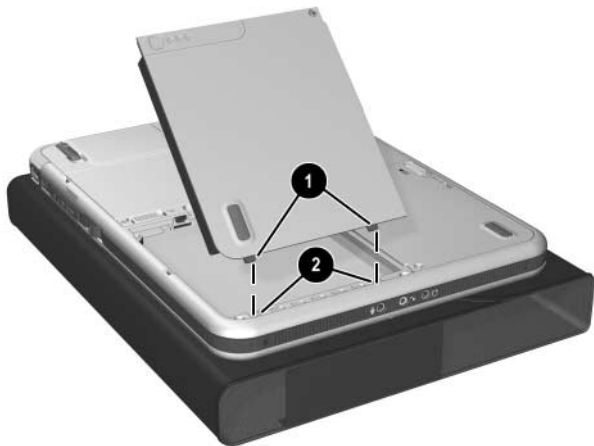
Inserting the Battery Pack

1. If the tablet PC is front side up, turn the tablet PC over so that it is front side down.



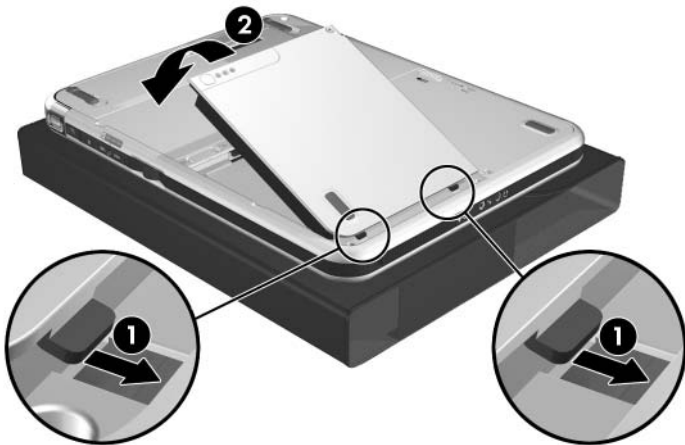
Positioning the tablet PC for the battery pack insertion

2. Align the 2 rectangular tabs **1** on the battery pack with the 2 rectangular alignment slots **2** on the battery bay of the tablet PC.



Aligning the battery pack tabs with the battery bay alignment slots

3. Insert the 2 alignment tabs on the battery pack into the 2 alignment slots on the battery bay of the tablet PC ❶.
4. Tilt the battery pack downward until it snaps into place ❷.



Inserting the battery pack

The battery pack begins to charge as soon as the tablet PC is connected to external power. Instructions for connecting the tablet PC to external power are provided later in this section.

Securing a Battery Pack

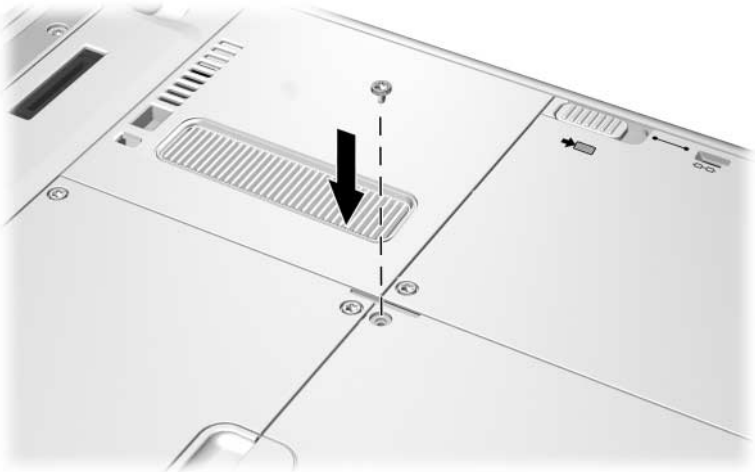
Use the battery pack security screw to hold the battery pack in place, and to protect the battery pack against theft.

A battery pack security screw ships inside the battery bay.

Inserting a Battery Pack Security Screw

To secure the battery pack in the battery bay with a battery pack security screw:

1. Insert the battery pack into the battery bay as instructed in [“Inserting the Battery Pack,”](#) earlier in this section.
2. Insert a battery pack security screw through the battery pack case and into the tablet PC.



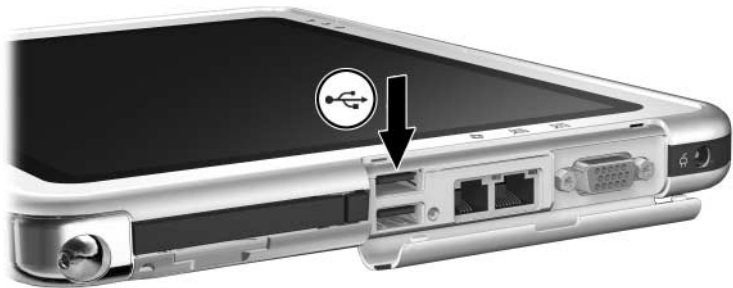
Inserting a battery pack security screw



The purpose of security solutions is to act as a deterrent. These solutions do not prevent the product from being mishandled or stolen.

Connecting a Standard USB Keyboard

To connect a standard USB keyboard to the tablet PC, swivel the cover that protects the tablet PC connectors downward, then connect the keyboard cable to the USB connector on the tablet PC.



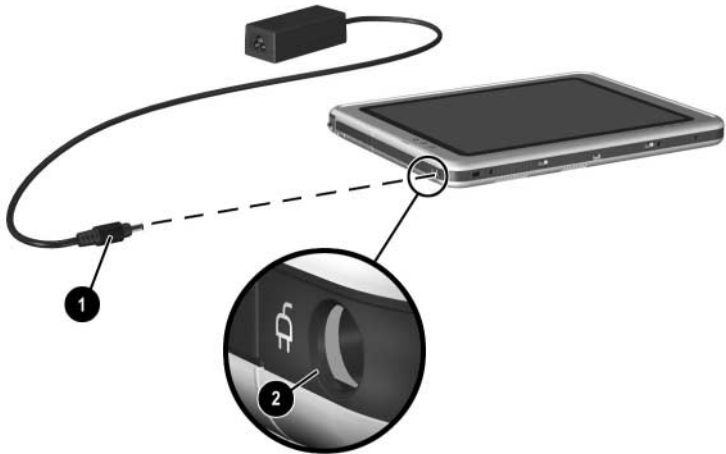
Identifying the USB connector on the tablet PC

Connecting the Tablet PC to External Power

CAUTION: To prevent file corruption and to be sure that the correct drivers load, do not turn on the tablet PC for the first time while it is docked in an optional Tablet PC Docking Station.

To connect the tablet PC to external AC power:

1. Plug the AC adapter cable **1** into the AC power connector **2**.

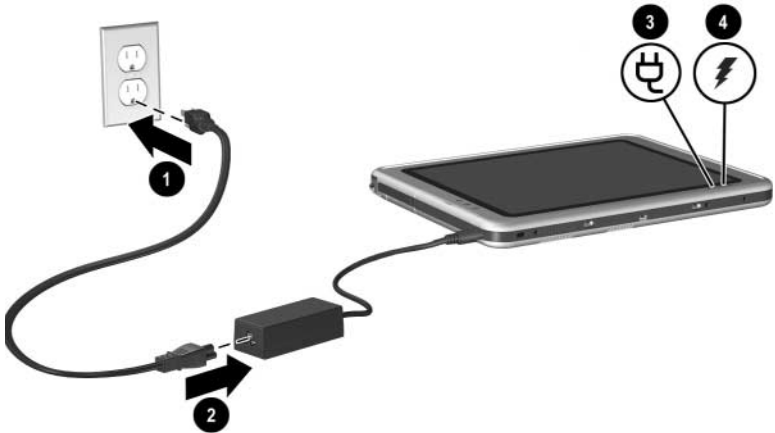


Plugging the AC adapter cable into the AC power connector

2. Plug the power cord into an electrical outlet ❶ and into the AC adapter ❷.

When the tablet PC receives AC power:

- ❑ The AC adapter light ❸ turns on.
- ❑ The battery pack begins to charge and the battery light ❹ turns on. When the battery pack is fully charged, the battery light turns off.



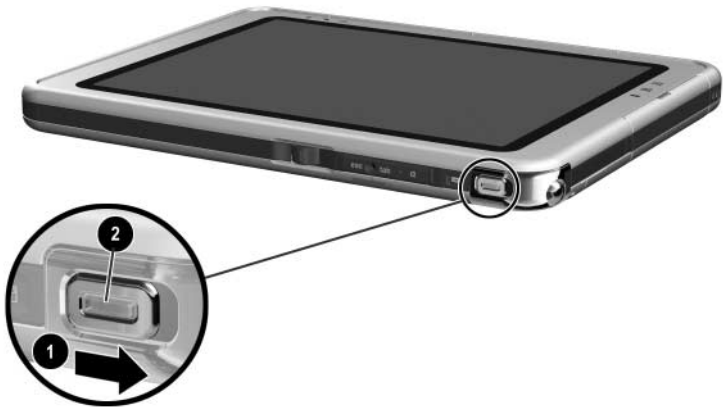
Plugging the power cord into the AC adapter and an electrical outlet (AC adapters, power cords, and electrical outlets vary by region)

Turning On the Tablet PC

To turn on the tablet PC, slide and release the power switch ❶. When the tablet PC is on:

- The power/standby light ❷ turns on.
- You are prompted to begin software setup.

If the tablet PC does not turn on, see [Chapter 4, “Solving Problems.”](#)



Turning on the tablet PC

Setting Up the Software

A prompt to set up your software is displayed on the screen when the tablet PC is turned on for the first time.

Before responding to the prompt and proceeding through the online instructions, read the following caution and installation information.



CAUTION: To prevent file corruption and be sure that the correct device drivers install, during software setup:

- Do not unplug the tablet PC from the electrical outlet.
 - Do not shut down the tablet PC.
-
- When you are prompted to press the **F10** key, you must press the **F10** key on a keyboard attached to the tablet PC. The keyboard can be either a tablet PC keyboard or a standard USB keyboard.



*Identifying the **F10** key on a tablet PC keyboard*

- After you begin the software setup, you must complete the entire process without interruption. Setup time varies from about 10 minutes on single-language models to more than 30 minutes on multiple-language models. For more information about setting up software in a multiple-language model, see [“Selecting Regional Settings in a Multilingual User Interface \(MUI\),”](#) later in this chapter.
- If you are prompted to select a language, choose carefully. The languages that you do not choose are deleted from the system and cannot be restored during the installation.
- When you are prompted to accept the End User License Agreement, you must choose Accept to continue the software setup.



During setup, it is normal for some tablet PC models to pause occasionally for up to 2 minutes and to restart several times. These pauses and restarts occur only during initial software setup. They will not occur during standard Windows startups.

Setting Up the Pen

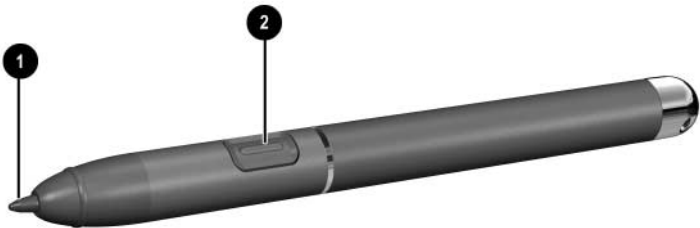
To set up the pen, you will:

- Prepare to enter information with the pen.
- Calibrate the pen for your personal use.

Entering Information with the Pen

Identifying the Pen Tip and Pen Button

The pen interacts with the tablet PC whenever the tip of the pen ❶ is within 1.27 cm (0.5 inch) from the screen. The pen button ❷ emulates the functions of the right button on an external mouse.



Identifying the pen tip and pen button

Holding the Pen

Hold the pen as if you were writing with a standard pen or pencil. Position your hand on the pen so that you will not accidentally press the pen button.

As you monitor the movements of the pen, focus on the pointer on the screen, not on the tip of the pen.

Performing Mouse Clicks with the Pen

Use the pen for many of the same tasks you perform with a mouse:

- To select an item on the screen as you would with the left button of an external mouse:
Tap the item with the tip of the pen.
- To double-click an item on the screen as you would with the left button of an external mouse:
Tap the item twice with the tip of the pen. (You need to lift the pen from the tablet briefly and quickly between taps.)
- To select an item as you would with the right button of an external mouse:
Press and hold down the pen button, then tap the item with the tip of the pen.

Performing Other Procedures with the Pen

In addition to emulating mouse clicks, the pen can be used for the following tasks:

- To display the pointer location:
Hold the pen tip immediately over any location on the tablet PC screen without touching the screen with the pen tip.
- To display the menu options related to an item on the screen:
Tap the item with the tip of the pen.
- To write with the pen:
Write on the screen with the tip of the pen.
- To press a pen-activated button:
Tap the button with the tip of the pen.

Pressure-Sensitivity

The tablet PC pen is equipped with a pressure-sensitive feature. This means that you can create lines of various thickness, depending upon the amount of pressure you use to write.

Calibrating the Pen

The pen can function at the default calibration or at a calibration set by another user. However, HP highly recommends that you use the pen only while it is calibrated to your personal handwriting and mouse action motions. Calibration optimizes pen performance for all users and particularly for left-handed users.

To calibrate the pen:

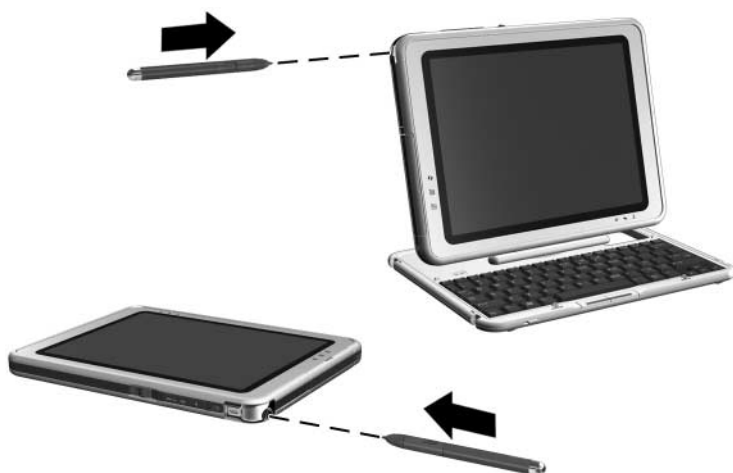
1. Select Start > Control Panel > Printers and Other Hardware icon > Tablet and Pen Settings window > Settings tab.
2. Select the Calibrate button on the Settings tab.
3. Follow the instructions on the screen.
 - ❑ Tap the pen in the exact center of each of the calibration markers. The calibration markers are displayed on the screen as plus signs (+).
 - ❑ Calibrate the pen for use in both portrait and landscape orientations.



You can display information about any setting in the Tablet and Pen Settings window by selecting the question mark button in the upper right corner of the window, then selecting a setting. A definition, explanation, or procedure is displayed.

Using the Pen Holder

To protect the pen when you are not using it, insert the pen, tip first, into the pen holder on the tablet PC.



Inserting the pen into the pen holder

Selecting Regional Settings

All the regional settings, such as time and keyboard language, that you skipped or set during software setup can be set or changed in the operating system. Supplementary settings, such as date and currency formats, can also be set.

To access these regional settings:

- » Select Start > Control Panel > Date, Time, Language and Regional Options > Regional and Language Options.

For information about selecting regional settings, open the Regional Options window, select a task or a Control Panel icon, then use context-sensitive Help. To use context-sensitive Help, select the question mark button in the upper right corner of the window, then select an item. A definition, explanation, or procedure is displayed.

Selecting Regional Settings in a Multilingual User Interface (MUI)

The Microsoft® Windows® XP Multilingual User Interface (MUI) is an add-on to the English version of the Windows XP Tablet Edition. It allows users or administrators to switch the operating system user interface (menus, dialogs, and so on) from one language to another, or to vary the language interface for each user. This feature simplifies administration and support in multilingual computing environments.

For more information about using the Tablet PC MUI, refer on the *Documentation Library* CD to the *Software Guide*, “Software Updates and Restorations” chapter.

Selecting Screen Settings

HP highly recommends that you use the default screen resolution setting of 1024 × 768 pixels. This setting optimizes the display and operation of tablet PC features for most users.

To access other screen settings, including screen savers and color quality:

- » Select Start > Control Panel > Appearance and Themes icon > Display icon.

To display information about any setting in the Display Properties window:

- » Select the question mark button in the upper-right corner of the window, then select a setting. A definition, explanation, or procedure is displayed.

Setting Up Wireless LAN

The drivers for your wireless LAN devices have been preinstalled on the tablet PC. The software utility that came with your wireless LAN device has been preloaded but not preinstalled. See [“Installing Your Wireless LAN Utilities and Locating Documentation,”](#) in this chapter for instructions on installing those utilities.

Using Wireless Utilities

An automatic wireless network configuration utility is available on the tablet PC. This utility is enabled by default. However, if your tablet PC is equipped with an HP-installed WLAN device, you may prefer to use it instead of the Windows utility. See [“Understanding the Advantages of HP-Provided WLAN Utilities,”](#) to learn more about these enhanced utilities.

Understanding the Advantages of HP-Provided WLAN Utilities

The HP-provided utilities have advanced capabilities to enhance the use of your wireless device.

These utilities work in a more integrated fashion with your wireless device to configure and manage your wireless network. They are compatible with Cisco standards and legacy operating systems. They may also offer additional security features and legacy operating systems support.

Disabling Automatic Wireless Network Configuration

By default, the Windows automatic wireless network configuration utility will attempt to configure your wireless connection. If you do not want to use the automatic wireless network configuration utility, you must disable it by following these steps:

1. Select Start > Control Panel > Network and Internet Connections > Network Connections.
2. Right-click Wireless Network Connection, then select Properties.
3. On the Wireless Networks tab, clear the Use Windows to configure my wireless network settings check box.
4. Select OK.

The Windows automatic wireless network configuration utility is disabled until you enable it again.

For additional information about the Windows automatic wireless network configuration utility, refer to Windows Help and Support.

After the Windows utility has been disabled, refer to “Installing Your Wireless LAN Utilities and Locating Documentation,” for instructions on installing the appropriate HP-preloaded utility for your wireless device.

Determining Your Wireless LAN Device

Before you can install the utility, you must determine which wireless LAN device has been installed on the tablet PC. To determine which wireless device is installed:

- Find the appropriate logo on the tablet PC. An Intel® Centrino™ logo label indicates that the tablet PC contains an Intel wireless device.
- Locate your tablet PC wireless device information:
Select Start > My Computer > Right click on the window > Properties > Hardware tab > Device Manager > Network Adapters.



You must install the software utility for your wireless LAN device before you can use it. Refer to “[Installing Your Wireless LAN Utilities and Locating Documentation](#),” in the following section.

Installing Your Wireless LAN Utilities and Locating Documentation

After you have determined the type of wireless device installed on the tablet PC, refer to the table below to install the utility and locate user documentation.

If you have this wireless device	Install the utility as follows	Locate user documentation as follows
Intel PRO/Wireless LAN	<ol style="list-style-type: none"> 1. Select Start > All Programs > Software Setup. 2. Select the Intel Proset utility, then follow on-screen instructions. 	Open the utility and select Help on the menu bar.
Atheros 802.11 a/b/g	<ol style="list-style-type: none"> 1. Select Start > All Programs > Software Setup. 2. Select the utility, then follow on-screen instructions. 	Refer to the <i>Documentation Library Wireless LAN CD</i> to the <i>HP WLAN 802.11 a/b W500 User Manual</i> .

Setting Up Bluetooth

Select configurations of the tablet PC contain a preinstalled Bluetooth® device. The software utility that operates your Bluetooth device has been preloaded, but not preinstalled on the tablet PC. Before you can use this utility, you must install it using the following steps:

1. Select Start > All Programs > Software Setup.
2. Select the Bluetooth wireless utility from the list of applications.
3. Follow the on-screen instructions.

For more information on configuring and using the Bluetooth device, refer to the *Bluetooth Getting Started Guide* and on the *Documentation Library Bluetooth CD* to the *Bluetooth User's Guide*.

Using the Q Menu to Turn on Wireless LAN

Turn on wireless utilities (WLAN and Bluetooth) by using the Q menu:

1. Press the Q button near the power switch to open the Q menu.
2. Select the option to turn on wireless from the Q menu.
3. Make sure the green wireless light is on.



A wireless LAN must be available and already set up before you turn on the wireless features. To set up your wireless LAN, refer to the *Go Wireless* booklet.

Turning Off the Tablet PC

Turn off the tablet PC by following the Windows shutdown procedure:

» Select Start > Turn off Computer > Shut down.

If the tablet PC does not respond to the Windows shutdown procedure, see the [“Is the System Unresponsive?”](#) section in Chapter 4.

Using the Tablet PC Safely

To protect the tablet PC from the power surges that may be caused by an unreliable power supply or an electrical storm:

- Plug the tablet PC power cord into an optional, high-quality surge protector.
- Provide surge protection for the cable that connects the modem to the telephone jack.
- Run the tablet PC on battery power or shut down the tablet PC and disconnect the power cord.



Surge protectors are available from most computer or electronics retailers.

This equipment has been tested and found to comply with the limits for a Class B digital device, pursuant to part 15 of the FCC Rules.



WARNING: To reduce the risk of electric shock or damage to your equipment:

- Plug the power cord into an electrical outlet that is easily accessible at all times.
 - Disconnect power from the product by unplugging the power cord from the electrical outlet.
 - If provided with a three-pin attachment plug on your power cord, plug the cord into a grounded (earthed) three-pin outlet. Do not disable the power cord grounding pin. The grounding pin is an important safety feature.
-



WARNING: This tablet PC is designed to run demanding applications at full power. As a result of increased power consumption, it is normal for the tablet PC to feel warm or hot when used continuously. To avoid potential discomfort or burns, do not block the air vents or use the tablet PC on your lap for extended periods. The tablet PC complies with the user-accessible surface temperature limits defined by the International Standard for Safety of Information Technology Equipment (IEC 60950).



WARNING: To reduce the risk of serious injury, read the *Safety & Comfort Guide*. It describes proper workstation setup, posture, and health and work habits for computer users, and provides important electrical and mechanical safety information. This guide is located on the Web at <http://www.hp.com/ergo> and on the hard drive or on the *Documentation Library* CD that is included with the product.

For more information, refer on the *Documentation Library* CD to the *Regulatory and Safety Notices* and the printed *Wireless Device Regulatory Notices* (select models only).

2

Beginning to Use the Tablet PC

Getting Information About the Tablet PC

Taking the Product Tour

The Tablet PC Product Tour provides an on-screen overview of the tablet PC, tablet PC keyboard, and of many optional tablet PC accessories, including Tablet PC Docking Station, and an Executive Slimline Portfolio. Detailed instructions for using the tablet PC and accessories are also included.

To access the Product Tour:

1. Open Windows Explorer. To open Windows Explorer from the Start button, select Start > All Programs > Accessories > Windows Explorer.
2. In Windows Explorer, select My Computer > Local Disk (C:) > HP > Tour.

Accessing Operating System Documentation

Basic information about the Microsoft Windows XP Tablet PC Edition operating system is provided in the printed *Windows XP Tablet PC Edition Start Here* guide included with the tablet PC.

More detailed information about using the operating system is provided in on-screen tutorials. These tutorials include operating system procedures, instructions for using speech recognition software, and instructions for using the Journal and Tablet PC Input Panel applications.

To access the tutorials:

1. Open Windows Explorer. To open Windows Explorer from the Start button, select Start > All Programs > Accessories > Windows Explorer.
2. In Windows Explorer, select My Computer > Local Disk (C:) > WINDOWS > Help > latute.hta.

Obtaining Modem and Network Information

For information about connecting the tablet PC to the Internet or a network, refer to the *Documentation Library* CD included with the tablet PC.

Using the Documentation Library CD

Instructions for using the tablet PC system are provided on the *Documentation Library* CD included with the tablet PC. To access the information, insert the CD, label side up, into an optical drive in the MultiBay of an optional Tablet PC Docking Station or in an External MultiBay.

Opening the Documentation Library CD

When the *Documentation Library* CD is inserted into a drive and if AutoPlay is enabled on the tablet PC, the CD menu is displayed on the screen after a brief pause.

To display the *Documentation Library* CD menu if AutoPlay is disabled:

1. Select Start > Run.
2. In the Open field, type:
explorer x:
(where X is your optical drive designation)
3. Select the file that includes an .exe extension, for example, Filename.exe.
4. Select the OK button.



To display the drive designation of your optical drive, select Start > My Computer. A drive designation is a letter of the alphabet that the tablet PC uses to identify a drive.



If messages about Adobe® Reader are displayed on the screen as you open the *Documentation Library* CD, choose to install Adobe Reader and to accept the Adobe Reader license agreement. Adobe Reader is an application used to display the tablet PC documentation on the screen.

Selecting a Guide

Information about the tablet PC is provided in the guides described in the following table.

For Information About These Topics	Select This Guide
<ul style="list-style-type: none">■ Using the hardware features identified in Chapter 5 of this guide■ Using a battery pack■ Caring for the tablet PC and drives■ Shipping the tablet PC■ Traveling with the tablet PC (including air and international travel)■ Upgrading memory■ Power and environmental specifications	<i>Hardware Guide</i>
<ul style="list-style-type: none">■ Using Standby and Hibernation and selecting power preferences■ Using the Q menu and such tablet PC system utilities■ Updating or restoring HP software■ Using passwords to protect against unauthorized use of the tablet PC■ Playing CDs or DVDs	<i>Software Guide</i>
<ul style="list-style-type: none">■ Using modem AT commands■ Selecting a command set for your tablet PC	<i>Modem Command Guidelines</i>
Using AT commands with a modem	<i>Soft Modem AT Command Reference Manual *</i>
<ul style="list-style-type: none">■ Using a preinstalled wireless LAN mini PCI board■ Using a preinstalled Bluetooth device	<ul style="list-style-type: none">■ <i>Documentation Library Wireless LAN CD</i>■ <i>Documentation Library Bluetooth CD</i>

Continued

For Information About These Topics	Select This Guide
<ul style="list-style-type: none"> ■ Configuring your wireless network ■ Securing your wireless network ■ Using your wireless device in public ■ Learning more about wireless technology 	<i>Go Wireless booklet*</i>
<ul style="list-style-type: none"> ■ Solving tablet PC problems yourself** ■ Getting help from HP** 	<i>Troubleshooting</i>
<ul style="list-style-type: none"> ■ Governmental approvals and safety information ■ Protecting the system from static electricity 	<ul style="list-style-type: none"> ■ <i>Regulatory and Safety Notices</i> on CD ■ <i>Wireless Device Regulatory Notices</i> (select models only)
Ergonomic and safety information	<i>Safety & Comfort Guide</i>
*Available in English only.	
**Basic troubleshooting information and complete information about contacting HP is also available in Chapter 4 of this guide.	

Finding a Topic Within a Guide

To find specific information within a guide:

- Use the bookmarks or search features in Adobe Reader.
 - ❑ Select any plus sign (+) in the left pane of the Adobe Reader window to display subheadings.
 - ❑ Select Edit > Find to search quickly for a topic. For additional information about Adobe Reader search, navigation, or print procedures, select the Adobe Reader Help button.
- Use the guide Index.
 - ❑ Indexes list specific items under group headings, such as “lights,” which may be helpful if you do not know the name of an item.
 - ❑ Index listings direct you to the first page of a topic. You may find more information about the topic by scrolling through a few of the pages that follow.

Installing Optional Software

Step-by-step instructions for installing and using many of the applications and utilities included with the tablet PC are provided on the *Documentation Library* CD included with the tablet PC. Instructions for using the CD are provided next in this chapter.

If you prefer to install optional software now, without referring to the *Documentation Library* CD, the following information may be helpful:



CAUTION: To prevent file corruption and be sure that the correct drivers are installed, install software only when the tablet PC is connected to external power through the AC adapter or an optional Docking Station. (Do not install software while the tablet PC is running on battery power.) During the installation:

- Do not unplug the tablet PC from external power.
 - Do not undock the tablet PC.
 - Do not shut down the tablet PC.
-

- To view the descriptions and space requirements of preloaded HP utilities without installing them:

Select Start > All Programs > Software Setup > Next button. After viewing the utility information, select the Cancel button.

- To install a preloaded HP utility:

Select Start > All Programs > Software Setup, then follow the instructions on the screen.

- To install an application or a utility from a CD:

Refer to the documentation included with the CD. In most cases, installation instructions are included in the CD package or are displayed on the screen when the CD is inserted.

A software CD can be used in an optical drive inserted in the MultiBay of an optional Docking Station or in an External MultiBay.

Using the Tablet PC Keyboard

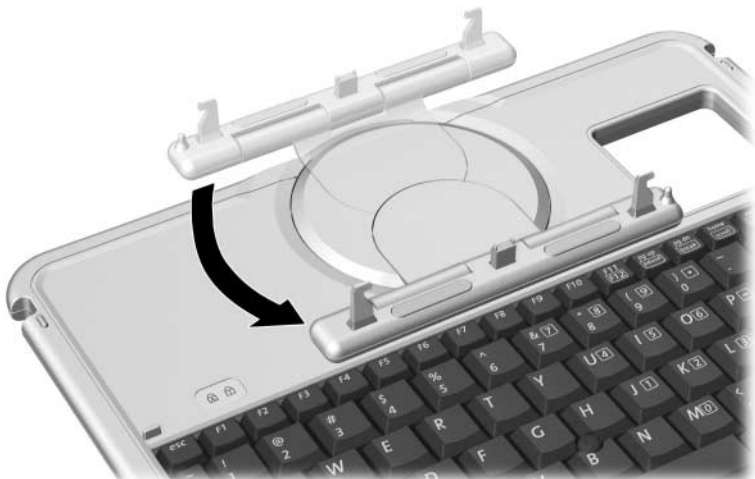
This section provides instructions for attaching, adjusting, transporting, and detaching the tablet PC keyboard. The tablet PC and keyboard can be attached or detached while the tablet PC is on, off, in Standby, or in Hibernation. The tablet PC can be docked in an optional Docking Station while attached to the keyboard.

For information about using the tablet PC keyboard keys, pointing device, and numeric keypad, refer on the *Documentation Library* CD to the *Hardware Guide*, “Pen, Command Controls and Keyboards” chapter, “Tablet PC Keyboard” section.

Attaching the Tablet PC to the Keyboard

To attach the tablet PC to the keyboard:

1. Place the keyboard on a flat surface with the keyboard keys facing you.
2. Rotate the attachment features on the rotation disk toward the keyboard.



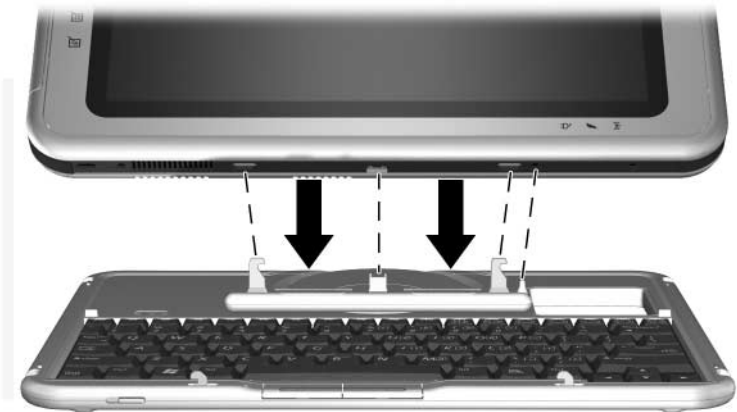
Rotating the attachment features toward the keyboard

3. Position the tablet PC above the keyboard, with the front of the tablet PC facing the keyboard.



Positioning the tablet PC above the keyboard

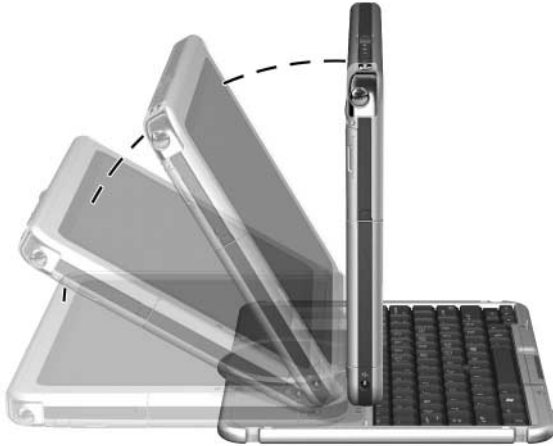
4. Align the 4 slots on the tablet PC with the keyboard connector, alignment key, and 2 keyboard hooks on the keyboard, then press the tablet PC downward until it snaps into place.



Attaching the keyboard to the tablet PC

Adjusting the Tablet PC and Keyboard

To tilt the tablet PC screen to a comfortable viewing angle, push or pull gently on the top of the tablet PC.



Tilting the tablet PC on the keyboard

Closing the Tablet PC and Keyboard

To close the tablet PC and keyboard as you would close the display on a standard notebook:

1. Rotate the tablet PC clockwise until it snaps into place facing away from the keyboard.



Rotating the tablet PC toward the back of the keyboard

2. Tilt the tablet PC downward onto the keyboard.



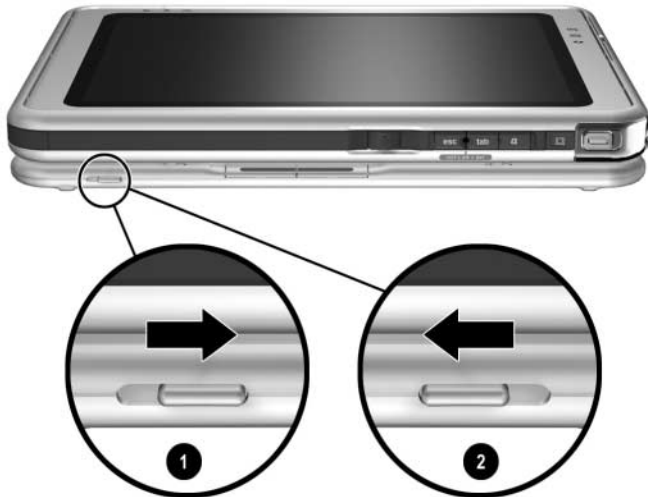
Closing the tablet PC and keyboard

Transporting the Tablet PC and Keyboard

If you are transporting the tablet PC and keyboard while they are not attached, be sure the rotation disk is in the default position. (The attachment features are at the rear of the tablet PC and the HP logo is right side up when you are facing the keyboard.)

If you are transporting the tablet PC and keyboard while they are attached, HP recommends that you use the keyboard latch. The keyboard latch locks the tablet PC to the keyboard while the tablet PC and keyboard are closed.

- To lock the tablet PC to the keyboard while the tablet PC is closed, slide the keyboard latch to the right **1**.
- To release the tablet PC from the closed position, push the keyboard latch to the left **2**, then open the tablet PC.



Using the keyboard latch

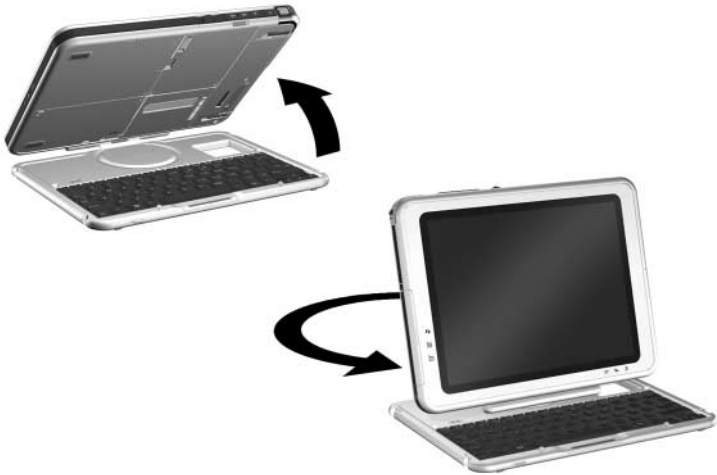
Detaching the Tablet PC from the Keyboard

To detach the tablet PC from the keyboard:

1. If the tablet PC is closed, open the tablet PC, then rotate the tablet PC so that the screen is facing the keyboard in the notebook position.



If the tablet PC does not open easily from the keyboard, it may be secured to the keyboard with the keyboard latch. For release instructions, see [“Transporting the Tablet PC and Keyboard”](#) in the previous section.



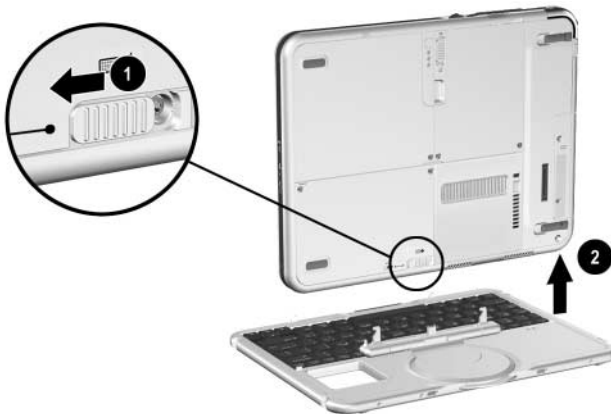
Opening the tablet PC to the notebook position

2. Turn the assembly (the tablet PC and keyboard) so that the back of the tablet PC and the keyboard are facing you.



Positioning the tablet PC and keyboard to detach the tablet PC

3. Tilt the tablet PC so that it is perpendicular to the keyboard.
4. To detach the keyboard, slide and hold the attachment release switch ❶ on the tablet PC as you lift the tablet PC upward ❷.



Detaching the tablet PC from the tablet PC keyboard

Maintaining and Protecting the Tablet PC

Cleaning the Screen



WARNING: To prevent electric shock or damage to components, do not attempt to clean the tablet PC until you:

- Shut down the tablet PC.
 - Disconnect the tablet PC from external power.
 - Disconnect all powered external devices from the tablet PC.
-



CAUTION: Do not spray liquids on the tablet PC or the tablet PC keyboard. Household solvents can permanently damage tablet PC and tablet PC keyboard surfaces, and any liquid can damage the internal components of the tablet PC or a tablet PC keyboard.

To remove smudges and lint, clean the screen with a soft, lint-free cloth dampened with water or a glass cleaning liquid. Antistatic screen cleaner or pre moistened antistatic wipes may also be used.

Protecting the Tablet PC from Power Surges

To protect the tablet PC from the power surges that may be caused by an uncertain power supply or an electrical storm:

- Plug the tablet PC power cord into an optional, high-quality surge protector.
- Provide surge protection on the cable that connects the modem to the telephone line.
- During an electrical storm, run the tablet PC on battery power or shut down the tablet PC and disconnect the power cord.

Surge protectors are available from most computer or electronics retailers.

Protecting the Tablet PC Against Viruses

When you use the tablet PC for email, network, or Internet access, you expose the tablet PC to computer viruses. Computer viruses can disable the operating system, your applications, or your utilities or cause them to function abnormally.

Antivirus software can detect most viruses, destroy them, and, in most cases, repair any damage they have caused.



HP strongly recommends that you install antivirus software before you connect the tablet PC to the Internet or a network.

Antivirus software can be purchased from most computer or electronics retailers.

Replacing a Battery Pack

Until you become familiar with Standby, Hibernation, and the battery pack replacement procedure, HP recommends that you replace a battery pack only while the tablet PC is off or connected to external power.

Removing a Battery Pack



CAUTION: To prevent loss of work when removing a battery pack that is running the tablet PC, initiate Standby or Hibernation or turn off the tablet PC before removing the battery pack.

- If you remove a battery pack that is running the tablet PC while the tablet PC is in Standby, your work is saved in Standby for up to one minute, then the tablet PC shuts down and your unsaved work is lost.
 - If you remove a battery pack that is running the tablet PC while the tablet PC is on, the tablet PC shuts down immediately and your unsaved work is lost.
-

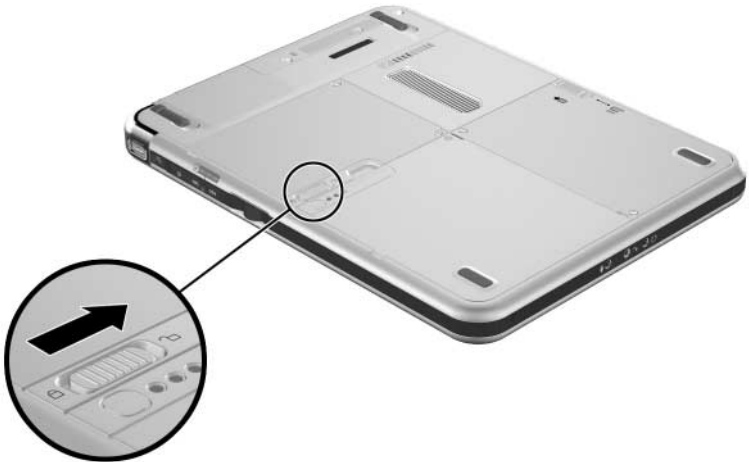
To remove a battery pack from the tablet PC:

1. Turn the tablet PC front side down. (If a battery pack security screw is in place, remove the screw.)



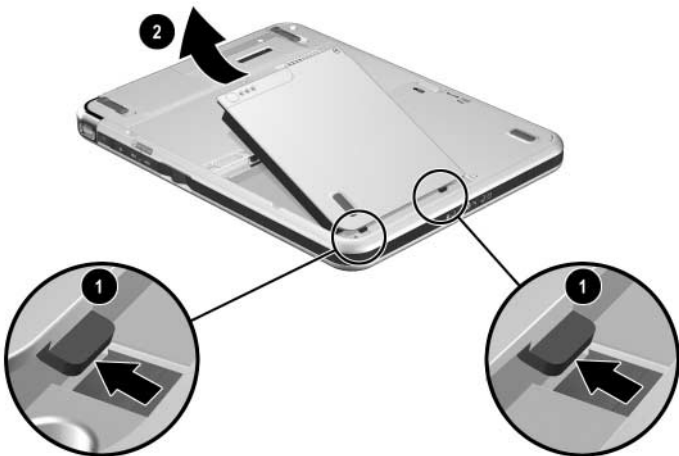
Removing a battery pack security screw

2. To unlock the battery pack release latch, press the latch firmly toward the unlock icon.



Unlocking the battery pack release latch

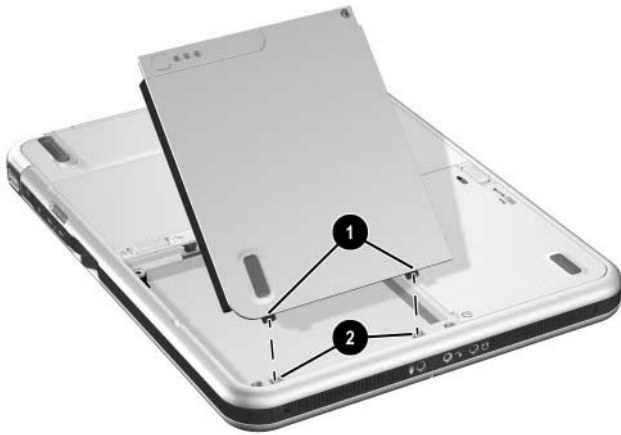
3. Slide and hold the battery release latch as you disengage the 2 tabs on the battery pack from the 2 slots on the battery bay ❶ and lift the battery pack out of the battery bay ❷.



Removing the battery pack

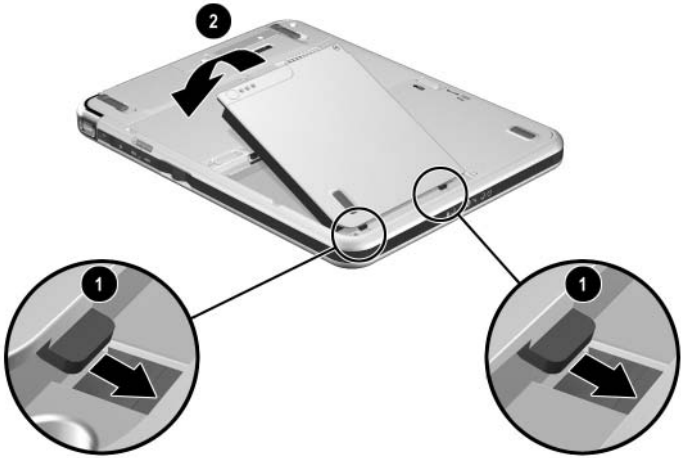
Inserting a Battery Pack

1. Place the tablet PC front side down on a flat surface.
2. Align the 2 rectangular tabs **1** on the battery pack with the 2 rectangular alignment slots **2** on the battery bay of the tablet PC.



Aligning the battery pack tabs with the battery bay alignment slots

3. Insert the 2 alignment tabs on the battery pack into the 2 alignment slots on the battery bay of the tablet PC ❶.
4. Tilt the battery pack downward until it snaps into place ❷.



Inserting the battery pack

5. To protect the battery pack against theft, replace the battery pack security screw.



Replacing the battery pack security screw



If you do not replace the battery pack security screw, store it in a safe place. For more information about battery pack security screws, refer on the *Documentation Library* CD to the *Hardware Guide*, “Battery Packs” chapter.

Finding More Power and Battery Pack Information

For more information about Standby and Hibernation, refer on the *Documentation Library* CD to the *Software Guide*, “Power” chapter.

For more information about using, replacing, securing, and storing battery packs, refer on the *Documentation Library* CD to the *Hardware Guide*, “Battery Packs” chapter.

4

Solving Problems

To solve a problem:

1. See the “[Quick Solutions Checklist](#)” in this chapter.
2. Refer on the *Documentation Library* CD to the *Troubleshooting* guide.
3. If the problem persists, see the section “[Using HP Help and Support](#)” later in this chapter.

Quick Solutions Checklist

Is the Tablet PC Receiving Power?

If the AC adapter light is off and the tablet PC cannot be turned on, adequate power may not be available to the tablet PC.

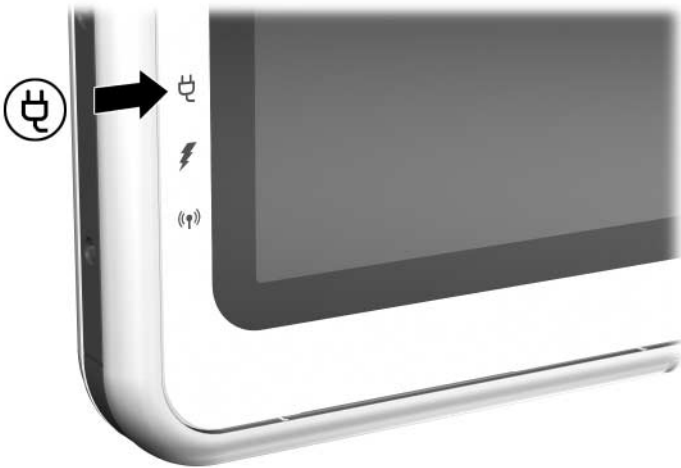
- If the tablet PC is running on battery power or is connected to an external power source other than an electrical outlet, connect the tablet PC to an AC electrical outlet using the AC adapter.

- Make sure the power cord and AC adapter cable connections are secure.
- Verify that the electrical outlet is providing adequate power by plugging another electrical device into the outlet.

When the AC adapter light is on, the tablet PC is receiving adequate AC power.



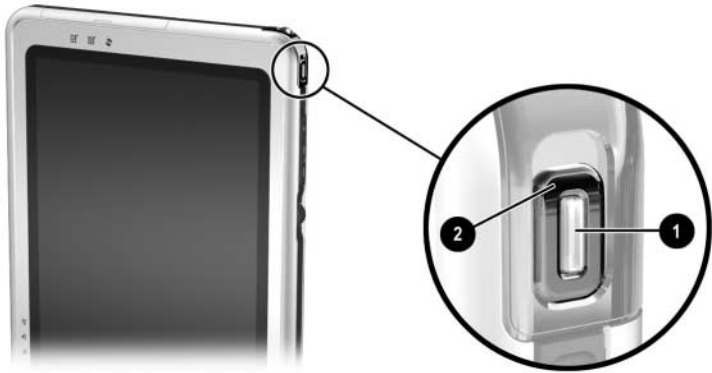
If the tablet PC turns on when connected to external power but not when running on a battery pack, recharge the battery pack. For more information about running the tablet PC on battery power, refer on the *Documentation Library* CD to the *Hardware Guide*, “Battery Packs” chapter.



Identifying the AC adapter light

Is the Tablet PC Turned On?

If the power/standby ❶ light is off, the tablet PC may not be turned on. To turn on the tablet PC, slide and release the power switch ❷. If the power/standby light is on, the tablet PC is turned on.



Identifying the power/standby light and the power switch

Is the Tablet PC in Standby or Hibernation?

Standby and Hibernation are energy-saving features that may be initiated while the tablet PC is turned on but not in use.

- When Standby is initiated, the power/standby light ❶ flashes and the tablet PC saves your work in random access memory (RAM), then clears the screen. To resume from Standby, slide and release the power switch ❷.
- When Hibernation is initiated, the tablet PC saves your work to a Hibernation file on the hard drive, initiates a shutdown, then turns off the power/standby light ❶. To resume from Hibernation, slide and release the power switch.

For more information about Standby and Hibernation, refer on the *Documentation Library* CD to the *Software Guide*, “Power” chapter, and to the *Hardware Guide*, “Battery Packs” chapter.

Is the Tablet PC Overheating?

It is normal for the tablet PC to feel warm to the touch while it is in use. But if the tablet PC feels *extremely* warm, it may be overheating because the vent is blocked. When the tablet PC is facing you vertically, the vent is on the left edge.

If you suspect that overheating could be causing the problem, allow the tablet PC to cool to room temperature. Then be sure the vent is never blocked by a hard surface, such as an optional printer, or by fabrics, such as bedding or thick or loose clothing, while you are using the tablet PC.

Is the Image Not Visible?

When the tablet PC is undocked and an optional external display device, such as a monitor or projector, is connected to the external monitor connector, the image can be displayed on the tablet PC screen, the external display, or on both the tablet PC screen and the external display simultaneously.

- To display the image on the tablet PC screen, press the Q button on the tablet PC, then select the Internal Only item.
- To display the image on the tablet PC and the external display, press the Q button on the tablet PC, then select the Internal and External item.



Identifying the Q button

Is the System Unresponsive?

If the system has stopped responding and you are unable to turn it off using standard Windows shutdown procedures:

- If Windows is open, enter the **ctrl+alt+del** command by pressing the Windows Security button ❶ on the tablet PC or the **ctrl+alt+delete** keys on an external keyboard. You can press the Windows Security button with the tip of the tablet PC pen or a small object like the end of a paper clip. Then select Shut Down > Turn Off.
- If the Setup utility is open, press the Windows Security button. (The tablet PC restarts.)
- If you are unable to shut down the tablet PC by using the Windows Security button or **ctrl+alt+delete** keys, slide and hold the power switch ❷ for 4 seconds.
- If you are unable to shut down the tablet PC with the power switch, remove the battery pack and disconnect the tablet PC from external power.



Identifying the Windows Security button and the power switch

Is an External Device Not Working?

If an external device does not function as expected:

- Turn on the device as instructed in the device documentation. Some devices, such as external monitors and printers, must be turned on before the tablet PC is turned on.
- Verify that:
 - All device connections are secure.
 - The device is receiving electrical power.
 - The correct device drivers are installed.
- Install the latest available system ROM (read-only memory) and KBC (keyboard controller) ROM. For instructions, refer on the *Documentation Library* CD to the *Software Guide*, “Software Updates and Restorations” chapter.

Are You Using All Available Documentation?

To access the current procedures for using the hardware and software on your tablet PC:

- See Chapter 2 for information about using operating system documentation, including on-screen tutorials, and the *Documentation Library* CD. The CD provides information about HP hardware and software and about adding optional devices or software.
- Refer to the Windows Help files for additional information about the operating system. To access Windows Help files, select Start > Help and Support. For more information, which is available in limited languages, visit the Microsoft Web site at:
<http://www.microsoft.com>
- Refer to the Help files within most applications and utilities for information about using a specific application or utility. To access these Help files, open the software, then select the Help option. The Help option is often a button or menu item that is labeled Help or identified with a question mark icon.

Is Software Functioning Abnormally?

If your software becomes unresponsive or responds abnormally:

- Restart the tablet PC.
- Run a virus scan.
 - For information about obtaining antivirus software, see the [“Protecting the Tablet PC Against Viruses”](#) section in Chapter 3.
 - For information about running a virus scan, refer to the Help file within the antivirus software.
- Reinstall the software.
 - If you plan to use an optional tablet PC Docking Station and a standard USB keyboard during the reinstallation, connect the keyboard to the tablet PC, not to the Docking Station.
 - To reinstall software that was not preloaded or preinstalled, follow the instructions in the documentation included with the software.

Using HP Help and Support

HP Help and Support provides a comprehensive online resource tool that can be used for the following:

- Troubleshooting
- Downloading the latest drivers, utilities, and other software updates for your tablet PC
- Initiating an online service event with an HP support specialist
- Obtaining information about your tablet PC such as specifications, white papers, customer advisories, and all documentation included with your tablet PC
- Subscribing to the *HP Support Software CD*

With the Help and Support Center, you can get immediate assistance before contacting an HP support specialist. For example, in Help and Support you can:

- Troubleshoot and fix common tablet PC problems.
- Learn how to use the software tools for working with your favorite music, video, games, and photos.
- Get basic and detailed information about Windows XP Tablet Edition.
- Set up your tablet PC for networking and for communicating on the Web.
- Use administration tools to manage areas such as passwords, file backups, system restore, and user accounts.
- Learn how to print, fax, run performance and maintenance tools, and install and configure new hardware.
- Protect your tablet PC files by using security and privacy features such as antivirus software.
- Undo changes to your tablet PC with System Restore.
- Improve the performance of your hard drive and battery pack.
- Download the latest drivers, utilities, software updates, and product documentation for the tablet PC.
- View tablet PC information and diagnose problems.
- Keep your tablet PC up-to-date using Windows Update.
- Find compatible hardware and software.

To access the online Help and Support Center:

1. Press the **Fn+F1** hotkey or select Start > Help and Support.
2. Follow the on-screen directions to select the online Help and Support Center feature that you need.



Not all HP Help and Support links are available worldwide, and some sites are available in a limited number of languages.

If you need help and cannot access the Internet:

- To obtain troubleshooting information, refer on the *Documentation Library* CD to the *Troubleshooting* guide.
- To obtain a list of worldwide Customer Care telephone numbers, refer to the printed *Worldwide Telephone Numbers* booklet (in English only) included with the tablet PC.

Preparing to Call HP Customer Care

To provide the fastest possible resolution of your problem, have the tablet PC and the following information available when you call:

- Serial number and model description, which are provided on the product identification label on the back and side of the tablet PC.
- Phone number you provided when purchasing the tablet PC.
- Operating system version number.

To display the operating system version number:

Select Start > Control Panel > Performance and Maintenance icon > System icon > General tab.

- Conditions under which the problem occurred.
- Error messages that have been displayed.

Taking the Tablet PC to a Service Provider

In addition to providing the information listed in the preceding section, “Preparing to Call HP Customer Care,” be sure to delete all passwords or to disclose all passwords to the service provider.

For information about using HP passwords (passwords set in the Setup utility), refer on the *Documentation Library* CD to the *Software Guide*, “Passwords” chapter.

For information about using Windows passwords (passwords set in the operating system) refer to your operating system documentation.

5

Identifying Exterior Hardware

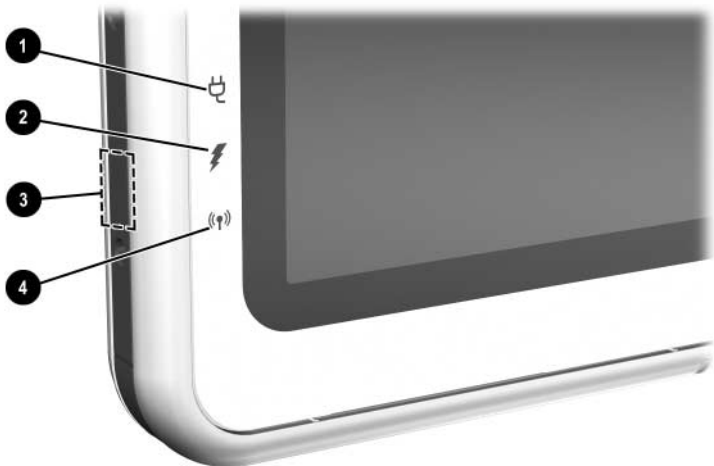
Pen Components



Components	Description
❶ Pen tip	Interacts with the tablet PC whenever the tip is touching the screen or within 1.27 cm (0.5 inch) of the screen. When tapped on or held over a pen-activated button, activates the button.
❷ Pen button	Functions like the right button on an external mouse.
❸ Pen tether eyelet	Used with the tether eyelet on the tablet PC, enables you to tether the pen to the tablet PC.

Tablet PC Components

Front: Lights and Bluetooth

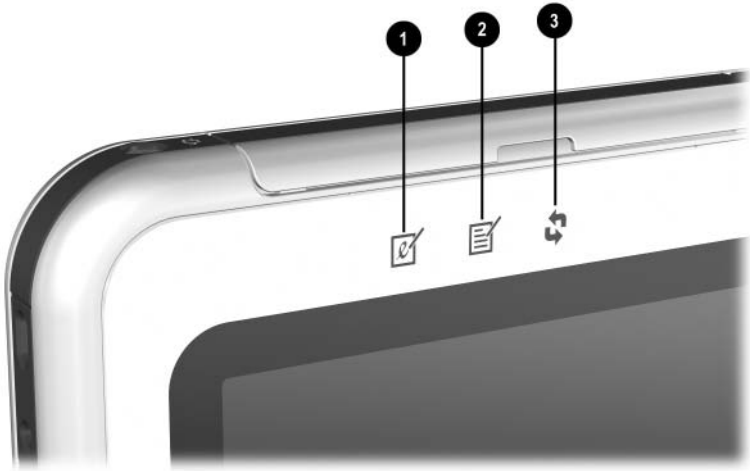


Component	Description
❶ AC adapter light	On: AC power is being supplied through the AC adapter.
❷ Battery light	On: A battery pack is charging. Flashing: A battery pack that is the only available power source has reached a low-battery condition.
❸ Bluetooth antenna, not visible from the outside of the tablet PC	Sends and receives Bluetooth* Integrated Wireless signals.†
❹ Wireless activity light	On: The wireless mini PCI and/or Bluetooth are on. Off: The wireless mini PCI and/ or Bluetooth are off.

*Bluetooth is not available on all models.

†For optimal performance when using Bluetooth, keep the area around the antenna free from obstructions.

Front: Pen-Activated Buttons



Component	Description
❶ Tablet PC Input Panel launch button*	When Windows is running, opens the Microsoft Tablet PC Input Panel application, which includes a handwriting pad and an on-screen keyboard.
❷ Journal launch button*	When the Windows is running, opens and closes the Microsoft Journal application, which supports handwriting.
❸ Rotate button*	Switches the image between landscape and portrait orientation.

*This table describes default settings. For information about changing the functions of the Tablet PC Input Panel launch, Journal launch, and rotate buttons, refer on the *Documentation Library* CD to the *Hardware Guide*, “Pen, Command Controls and Keyboards” chapter.

Right Side: Power Switch and Power/Standby Light



Component	Description
① Power switch*	When the tablet PC is: <ul style="list-style-type: none">■ Off, turns on the tablet PC.■ On, initiates Standby.*■ In Standby, resumes tablet PC from Standby.■ In Hibernation, resumes tablet PC from Hibernation.*
② Power/standby light	On: Tablet PC is on. Flashing: Tablet PC is in Standby. Off: Tablet PC is off or in Hibernation.

*This table describes default settings. For information about changing the functions of the power switch and about using Standby and Hibernation, refer on the *Documentation Library* CD to the *Software Guide*, “Power” chapter.

Right Side: Display Toggle and Windows Security Buttons



Component	Description
<p>❶ Windows Security button*</p>	<p>When pressed with the pen tip or a small object like the end of a paper clip while:</p> <ul style="list-style-type: none"> ■ Windows is open, enters the ctrl+alt+delete command.[†] ■ The Setup utility is open, enters the reset command.
<p>❷ Display Toggle button</p>	<p>When Windows is running, toggles the external monitor display settings:</p> <ul style="list-style-type: none"> ■ Internal only ■ Internal and External ■ Extended Desktop

*This table describes default settings. To change the functions of the Windows Security button, refer on the *Documentation Library* CD to the *Hardware Guide*, “Pen, Command Controls and Keyboards” chapter.

[†]To protect your work and the system, the ctrl+alt+delete command cannot be entered using the **Ctrl**, **Alt**, and **Del** keys on the on-screen keyboard.

Right Side: Esc, Tab and Q Menu Buttons



Component	Description
❶ Esc button*	While the tablet PC is: <ul style="list-style-type: none">■ Starting up and a flashing pointer is displayed on the screen, opens the Setup utility.■ In Windows, functions like esc on a standard keyboard.
❷ Tab button*	When Windows is running, functions like tab on a standard keyboard. [†]
❸ Q menu button*	When Windows is running, opens or closes the Q menu. Q menu items emulate system tasks, such as volume control and wireless utilities, accessed with buttons, keys, or hotkeys on notebook computers.

*This table describes default settings. For information about changing the functions of the esc, tab, and Q menu buttons, refer on the *Documentation Library* CD to the *Hardware Guide*, “Pen, Command Controls and Keyboards” chapter.

[†]The tab button can also be used, instead of an F12 command, to respond to a Network Service Boot prompt during startup.

Right Side: Jog Dial and Antenna

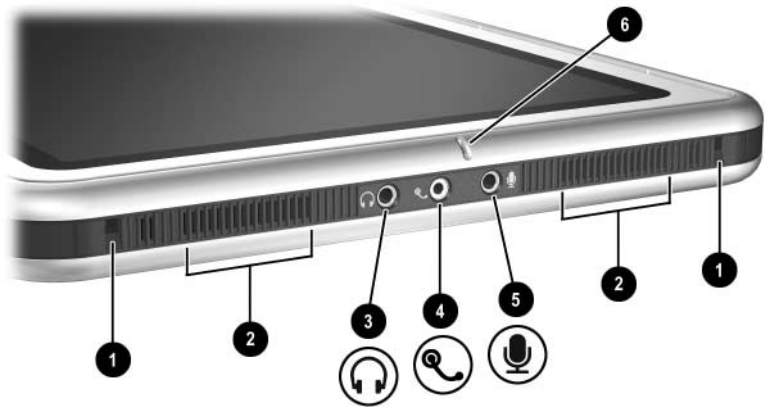


Component	Description
<p>❶ Jog dial*</p>	<p>Functions like enter and the up and down arrow keys on a standard keyboard.</p> <ul style="list-style-type: none"> ■ Press inward to enter a command. ■ Rotate upward to scroll upward. ■ Rotate downward to scroll downward.
<p>❷ Antennas, not visible from the outside of the tablet PC</p>	<p>Send and receive internal wireless LAN signals.†</p>

*This table describes default settings. For information about changing the rotation functions of the jog dial, refer on the *Documentation Library* CD to the *Hardware Guide*, “Pen, Command Controls and Keyboards” chapter.

†For optimal performance, keep the antennas free from obstructions while you are using an internal wireless LAN.

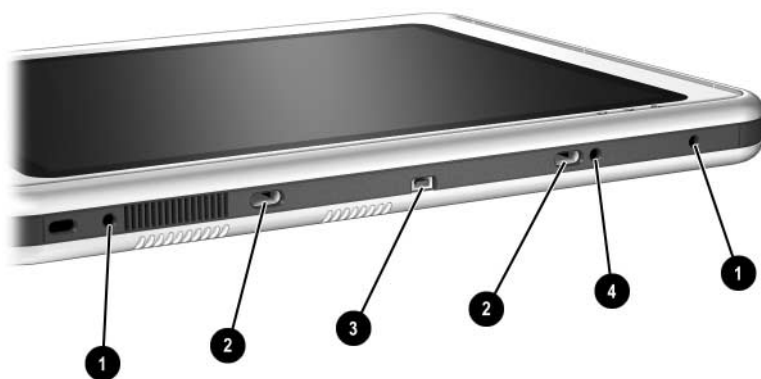
Lower Side



Component	Description
❶ Docking alignment slots (2)	Secure the tablet PC to an optional tablet PC Docking Station.
❷ Speakers (2)	Produce stereo sound.
❸ Audio-out jack	Connects optional stereo headphones or powered stereo speakers.
❹ Headset jack	Connects an optional headset, such as a mobile telephone headset with a microphone and a monaural ear piece.
❺ Microphone jack	Connects an optional monaural or stereo microphone.
❻ Microphone	Inputs monaural sound.*

*If you plan to use speech recognition or other software that requires optimal sound quality, use an optional external microphone or a headset.

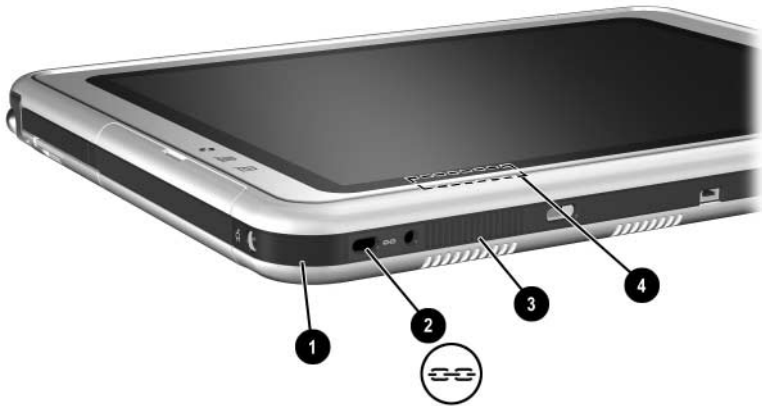
Left Side: Attachment Slots and Keyboard Connector



Component	Description
① Screen protector slots (2)	Stabilize a screen protector* when it is attached to the tablet PC.
② Universal attachment slots (2)	Secure the portfolio, a screen protector*, or an attachment, such as a tablet PC keyboard, to the tablet PC.
③ Keyboard connector	Connects the tablet PC keyboard to the tablet PC.
④ Alignment key slot	Accepts an alignment key to safeguard attachment procedures. For example, matching the alignment key on the tablet PC keyboard to the alignment key slot helps you correctly orient the tablet PC to the keyboard as you attach the tablet PC to the keyboard.

*A screen protector is included with an optional tablet PC Docking Station.

Left Side: Security Cable Slot, Vent and Antenna

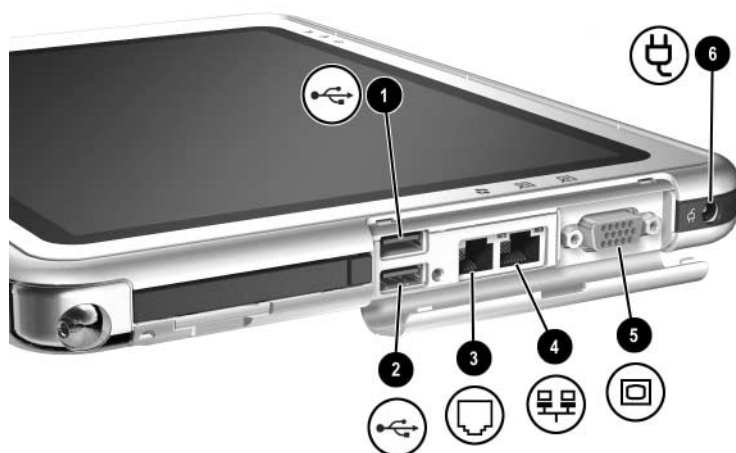


Component	Description
① IrDA Fast Infrared Port	Transmits and receives infrared signals between the tablet PC and other infrared-enabled devices.
② Security cable slot	Attaches an optional security cable to the tablet PC.
③ Vent	Allows airflow to cool internal components. △ To prevent overheating, do not obstruct the vent. Do not allow a hard surface, such as an adjoining optional printer, or fabric, such as bedding or clothing, to block airflow.
④ Antenna*, not visible from the outside of the tablet PC	Sends and receives internal wireless LAN signals.†

*The tablet PC has 2 antennas. The other antenna is found on the right side of the tablet PC.

†For optimal performance, keep the antennas free from obstructions while you are using an internal wireless LAN.

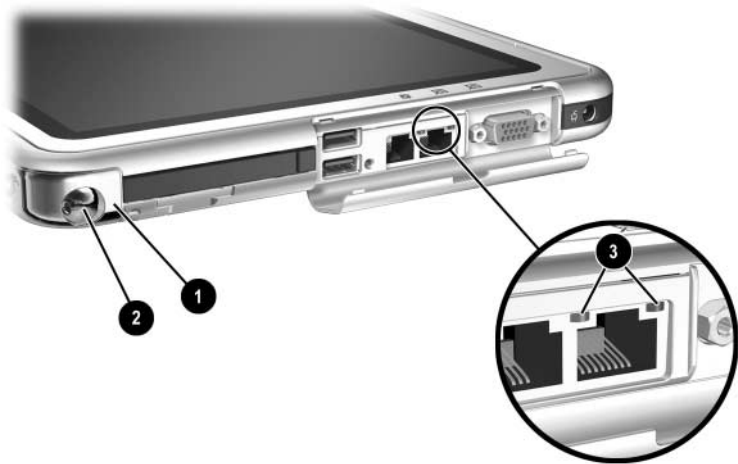
Top: Connectors and Jacks



Component	Description
① USB connector	Connects an optional USB 2.0- or 1.1-compliant device.*
② External MultiBay connector	Connects an optional USB 2.0- or 1.1-compliant device.*
③ RJ-11 telephone jack	Connects a modem cable.
④ RJ-45 network jack	Connects an Ethernet network cable.
⑤ External monitor connector	Connects an optional VGA external monitor or projector.
⑥ AC power connector	Connects an AC adapter, Auto/Air Cable, or Automobile Power Adapter/Charger.

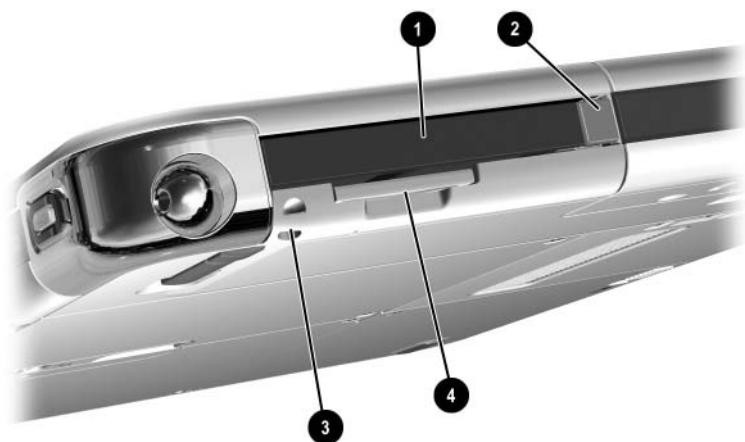
*If an optional External MultiBay is connected to the USB connector, the External MultiBay must also be connected to external power. If an External MultiBay is connected to the External MultiBay connector, it is not necessary to connect the External MultiBay to external power.

Top: Pen Holder and LAN Connection Lights



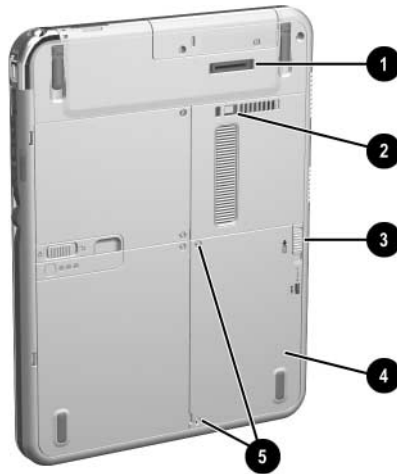
Component	Description
❶ Pen holder (shown with pen ❷ inserted)	Secures the pen to the tablet PC.
❸ LAN connection lights (2)	Both lights off: The tablet PC is not connected to a LAN. Both lights on: The tablet PC is connected to a LAN with a 100 Mbps link. Green light on and yellow light off: The tablet PC is connected to a LAN with a 10 Mbps link.

Top: Card Slots, Buttons and Tether Eyelet



Component	Description
❶ PC Card slot	Supports an optional Type I or Type II 32-bit (CardBus) or 16-bit PC Card.
❷ PC Card eject button	Ejects an optional PC Card from the PC Card slot.
❸ Tablet PC tether eyelet	Used with the tether eyelet on the pen to enable you to tether the pen to the tablet PC.
❹ SD (Secure Digital) card slot	Supports an optional SD card.

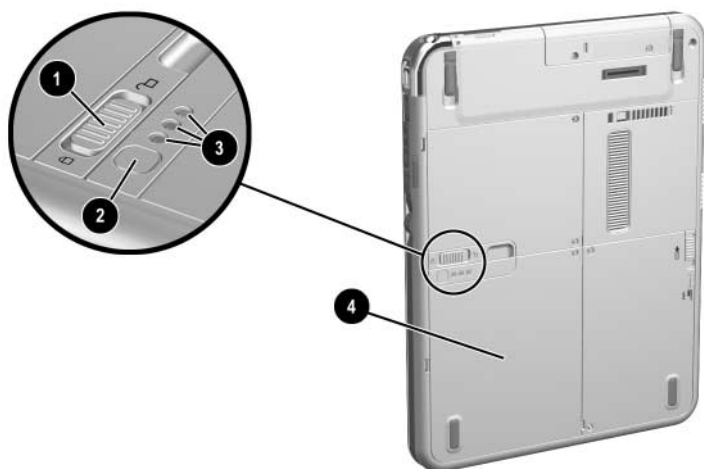
Back: Attachment Features and Hard Drive Bay



Component	Description
❶ Docking connector	Connects the tablet PC to an optional Docking Station.
❷ Docking restraint latch recess	Accepts the docking restraint latch on an optional Docking Station to secure the tablet PC to the Docking Station.
❸ Attachment release switch	Releases an attachment, such as the portfolio, a screen protector*, or a tablet PC keyboard, from the universal attachment slots on the tablet PC.
❹ Hard drive bay	Holds the system hard drive.
❺ Hard drive bay retaining screws (2)	Secure the hard drive bay cover to the tablet PC.

*A screen protector is included with an optional Tablet PC Docking Station.

Back: Battery Bay

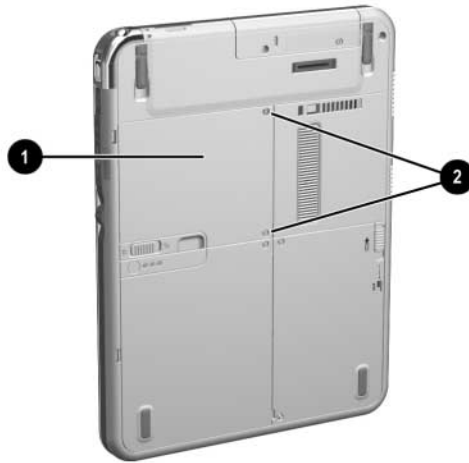


Component	Description
❶ Battery pack release latch	Releases the battery pack from the battery bay.
❷ Battery quick check button on battery pack*	Activates the battery quick check lights, (see below) which display how much charge remains in the battery pack.
❸ Battery quick check lights (3) on battery pack*	On: Each light represents a percent of a full charge. For example, when all 3 lights are on, the battery pack is fully charged. Flashing: When 1 light is flashing, less than 5 percent of a full charge remains in the battery pack.
❹ Battery bay	Holds the battery pack. Also, contains a battery pack security screw.†

*This illustration shows the battery pack inserted in the battery bay. The battery pack is included with the tablet PC, but is not inserted. For insertion and removal instructions, see the [“Replacing a Battery Pack”](#) section in Chapter 3.

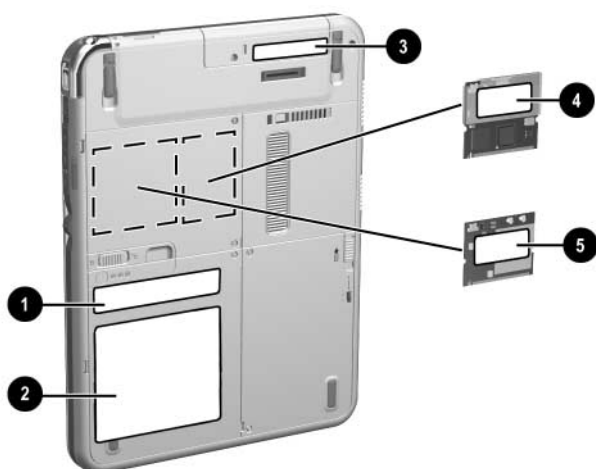
†For battery security information, refer on the *Documentation Library* CD to the *Hardware Guide*, “Battery Packs” chapter.

Back: Memory and Mini PCI Compartment



Component	Description
1 Memory and mini PCI (Peripheral Component Interconnect) compartment, not visible from the outside of the tablet PC	<p>Contains one memory slot for a PC133-compliant memory module.</p> <p>Also, holds an optional mini PCI board such as a wireless board. (A mini PCI board is included with some tablet PC models.)</p> <p>△ The FCC does not allow unauthorized mini PCI devices to be used in the tablet PC. Installing an unsupported mini PCI device can prevent your tablet PC from operating properly and may result in a warning message. To resume proper operation, remove the unauthorized device. Contact your HP Customer Care Center if a warning message about your mini PCI device is displayed in error.</p>
2 Memory and mini PCI compartment retaining screws (2)	Secure the memory and mini PCI compartment cover to the tablet PC.

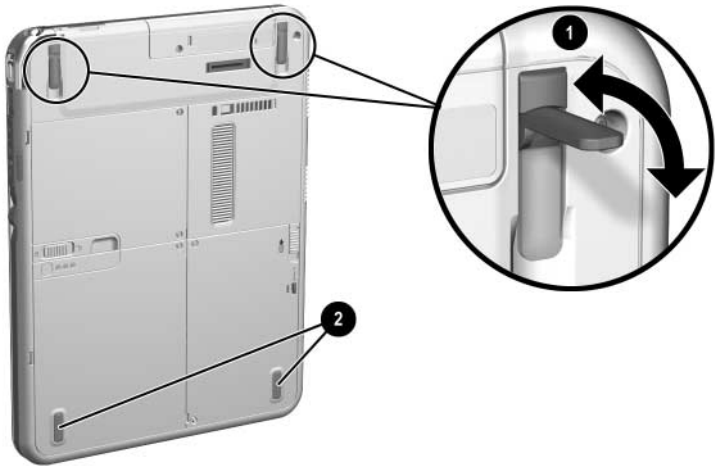
Back: Labels



Component	Description
① Microsoft Certificate of Authenticity label (<i>inside</i> the battery bay)	Contains the Product Key number. You may need this number to update or troubleshoot the operating system.
② System label	Provides regulatory information about the tablet PC.
③ Product identification label	Contains the serial number of the tablet PC and a code describing the original configuration of the tablet PC. You will need the serial number if you call HP Customer Care.
④ Modem approvals label on an MDC *(Modem Daughter Card) modem	Lists the countries in which the modem has been approved for use. [†]
⑤ Wireless certification label (on wireless device)	Lists the countries in which the wireless device has been approved for use. [†]

*An MDC (Modem Daughter Card) ships inside some tablet PC models.
[†]You may need this information when traveling.

Back: Tilt Feet and Pad Feet



Component	Description
❶ Tilt feet (2)	While the tablet PC is being used in portrait orientation as a free-standing tablet, can elevate the top of the tablet PC to provide a comfortable writing and viewing angle.
❷ Pad feet (2)	Stabilize the tablet PC when the tablet PC is placed as a free-standing tablet on a flat surface.

Additional Tablet PC Standard Components

The components included with the tablet PC vary by geographical region and the tablet PC hardware ordered. The following illustrations and tables identify the standard external components included with most tablet PC models.

These illustrations do not include supplementary documentation, supplementary CDs, or optional devices such as PC Cards or drives. The system hard drive ships inside the hard drive bay.

Documentation CDs

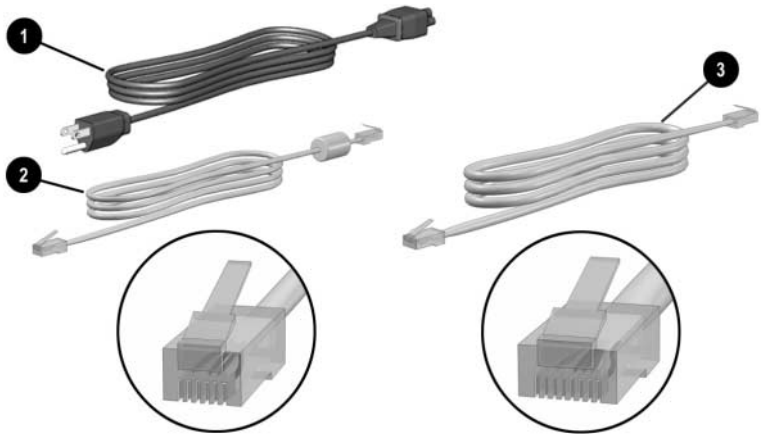
Among the CDs included are:



- *Documentation Library* CD, which includes product-specific documentation for the tablet PC, along with modem, networking, safety, and regulatory information.
- *Documentation Library Wireless LAN* CD, which includes documentation on the wireless devices available for the tablet PC.
- *Documentation Library Bluetooth* CD, which includes the guides and software for Bluetooth wireless connection.



Wireless information may vary depending upon the exact configuration of your tablet PC.

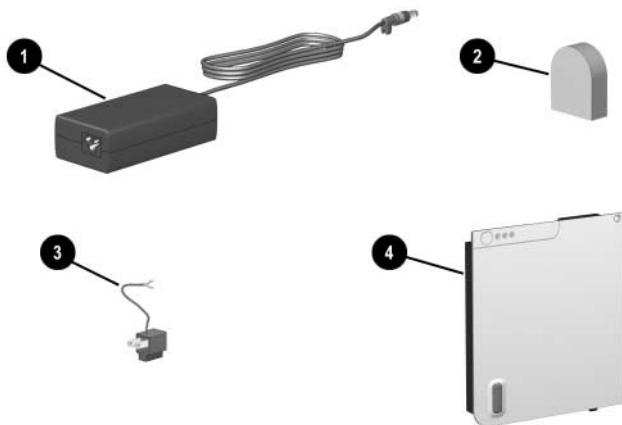
Cord and Cables



Component	Description
❶ Power cord*	Connects the AC adapter to an AC electrical outlet.
❷ Modem cable	Connects the modem to an RJ-11 telephone jack or to a country-specific modem adapter.  The modem cable has a 6-pin RJ-11 telephone connector at each end.
❸ Network cable	Connects the tablet PC to an RJ-45 (Ethernet network) jack.  The network cable has an 8-pin RJ-45 network connector at each end.

*Power cords vary in appearance by region.

Adapters and Accessories



Component	Description
❶ AC adapter*	Converts AC power to DC power.
❷ Country-specific modem adapter (included by region as required with modem models only)	Adapts the modem cable to a non-RJ-11 telephone jack.
❸ Japan-specific outlet adapter (Japan only)	Connects the AC adapter to a 2-prong electrical outlet.
❹ Battery pack	Runs the tablet PC when the tablet PC is not connected to external power.

*AC adapters vary in appearance by region. The only AC adapter that should be used with the tablet PC is the AC adapter included with the tablet PC or a replacement AC adapter provided by HP.

Tablet PC Keyboard Components

This section identifies the hardware components of the tablet PC keyboard.

- For information about detaching, attaching, and adjusting the keyboard, see [“Using the Tablet PC Keyboard”](#) in Chapter 2.
- For information about using the keyboard keys and keypad, refer on the *Documentation Library* CD to the *Hardware Guide*, “Pen, Command Controls and Keyboards” chapter.

Front: Lights and Pointing Device



Component	Description
① Num lock light	On: The keypad is on.
② Caps lock light	On: Caps lock is on.
③ Pointing stick	Moves the pointer and selects and activates items on the screen.
④ Left and right pointing stick buttons	Function like the left and right buttons on an external mouse.

Front: Keys



Component	Description
❶ Function keys (11)	<p>Perform system and application tasks. For example, in Windows and many applications, pressing F1 opens a Help file.</p> <ul style="list-style-type: none"> ■ To enter an F11 function, press F11/F12. ■ To enter an F12 function, press Fn+F11/F12.
❷ Fn	Combines with other keys to perform system tasks. For example, pressing Fn+num lk turns on the keypad.
❸ Keypad keys (15)*	Can be used like the keys on an external numeric keypad.
❹ Microsoft logo key	Displays the Windows Start menu.
❺ Applications key	Displays a shortcut menu for item beneath the pointer.

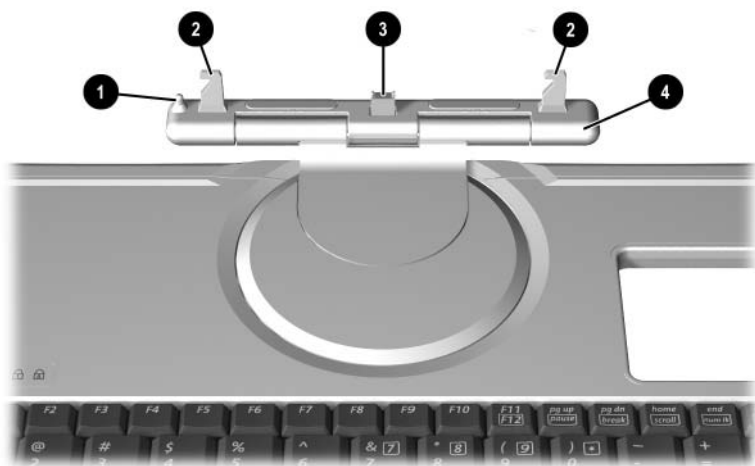
*For more information about using keypad keys, refer on the *Documentation Library* CD to the *Hardware Guide*, “Pen, Command Controls and Keyboards” chapter.

Front: Positioning and Security Features



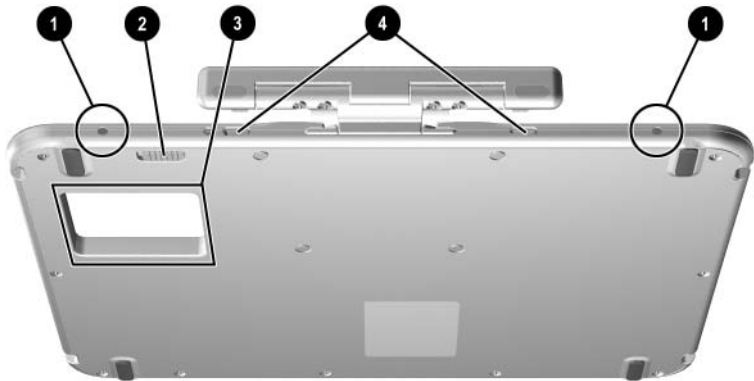
Component	Description
❶ Rotation disk	Rotates the tablet PC while it is attached to the keyboard.
❷ Docking alignment notches (4)	Help guide the tablet PC and keyboard into an optional Docking Station.
❸ Keyboard latch	When the tablet PC and keyboard are closed, locks the tablet PC to the keyboard: <ul style="list-style-type: none">■ Slide to the right to lock the tablet PC to the keyboard.■ Slide to the left to unlock the tablet PC from the keyboard.

Top



Component	Description
❶ Alignment key	Inserts into the alignment key slot on the tablet PC to safeguard attachment procedures. For example, matching the alignment key to the alignment key slot on the tablet PC helps you correctly orient the tablet PC to the keyboard as you attach the tablet PC to the keyboard.
❷ Keyboard hooks (2)	Secure the tablet PC to the keyboard.
❸ Keyboard connector	Connects the keyboard to the tablet PC.
❹ Tilt adjustment	Tilts the tablet PC upward or downward while it is connected to the keyboard.

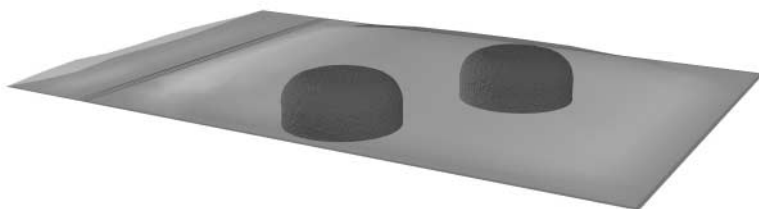
Back



Component	Description
❶ Screen protector slots (2)	Secure a screen protector* to the keyboard.
❷ Attachment release switch	Releases attachments, such as the portfolio, a screen protector*, or the tablet PC, from the keyboard.
❸ Docking connector pass-through	Allows the tablet PC to be connected to an optional Docking Station while the tablet PC is attached to the keyboard.
❹ Universal attachment slots (2)	Secure the portfolio, a screen protector*, or the tablet PC to the keyboard.

*A screen protector is included with an optional Tablet PC Docking Station.

Additional Keyboard Standard Component



Component	Description
Spare pointing stick caps (2)	Replace a worn pointing stick cap.*

*For instructions, refer on the *Documentation Library* CD to the *Hardware Guide*, "Maintenance, Shipping and Travel" chapter.

Index

802.11 wireless LAN reference guides 1–35

A

AC adapter

AC power connector 5–11

connecting 1–14, 1–23

identifying 5–21

light 5–2

troubleshooting 4–1

AC power 1–38

adapter

for AC power cord. *See* AC adapter

for connecting AC adapter to electrical outlet (Japan only) 5–21

for modem 5–21

adjustment, tilt 5–25

Adobe Reader

installing 2–3

using 2–6

alignment

key 2–9, 5–25

key slot 2–9, 5–9

notches, docking 5–24

slots, battery bay 3–6

slots, docking 5–8

tabs, battery pack 3–6

antennas 5–7, 5–10

antivirus software 3–2

applications key 5–23

attachment release switch

on tablet PC 2–14, 5–14

on tablet PC keyboard 5–26

audio-out jack 5–8

Auto/Air Cable 5–11

Automobile Power

Adapter/Charger 5–11

AutoPlay 2–3

B

battery bay

alignment slots 3–6

inserting battery pack into 3–6

Microsoft Certificate of

Authenticity label, inside 5–17

release latch 5–15

removing a battery pack

security screw from 1–9, 1–21

tabs 3–6

battery light 5–2

- battery pack
 - button and lights 5–15
 - charging during setup 1–8, 1–20
 - inserting 3–6
 - release latch 5–15
 - security screws 1–9, 1–21, 5–15
 - tabs 3–6
- battery power 3–2
- Bluetooth 1–36
- button(s)
 - battery quick check 5–15
 - esc 5–6
 - Journal launch 5–3
 - pen 1–28
 - pointing stick 5–22
 - Q menu 5–6
 - rotate 5–3
 - tab 5–6
 - Tablet PC Input Panel launch 5–3
 - Windows Security 5–5
 - See also* jog dial; latch; *specific buttons*; switch
- C**
- cable
 - AC adapter 1–14, 1–23
 - modem 5–20
 - modem vs. network 5–20
 - power cord 1–15, 1–24, 5–20
- calibration, pen 1–30
- caps lock light 5–22
- caps, spare pointing stick 5–27
- CD(s)
 - Documentation Library* 5–19
 - Documentation Library Bluetooth* 2–4, 5–19
 - Documentation Library Wireless LAN* 2–4, 5–19
- Certificate of Authenticity label 5–17
- compartment, memory 5–16
- connector(s)
 - AC power 1–14, 1–23
 - docking 5–14
 - external monitor 5–11
 - portfolio 5–9, 5–26
 - screen protector 5–9, 5–26
 - tablet PC keyboard 5–9, 5–25
 - telephone 5–20
- cord, power
 - connecting 1–14, 1–23
 - function 5–20
 - troubleshooting 4–1
 - See also* cable
- country-specific modem adapter 5–21
- currency formats, setting 1–31
- customer support
 - accessing application Help files 4–6
 - accessing Windows Help files 4–6
 - Product Tour 2–1
 - tutorials 2–2

D

- date, setting 1–31
- devices, external 4–6
 - See also* connector(s); fasteners; jack; slot(s); *specific types of devices*
- dial, jog 5–7
- disk, rotation 5–24
- Display Toggle button 5–5
- docking hardware
 - alignment notches 5–24
 - alignment slots 5–8
 - connector 5–14
 - connector pass-through 5–26
 - restraint latch recess 5–14
- docking station
 - using during initial setup 1–14, 1–23
 - using while installing software 2–7
- Documentation Library Bluetooth CD* 5–19
- Documentation Library CD* 2–3, 5–19
- Documentation Library Wireless LAN CD* 5–19
- drive designations 2–3

E

- electric shock warning 1–38
- electrical storm, safety issues 3–2
- End User License Agreement 1–27
- enter command 5–7
- esc button 5–6

- external devices 4–6
 - See also* connector(s); fasteners; jack; slot(s); *specific types of devices*
- external monitor connector 5–11
- eyelet, tether
 - on pen 5–1
 - on tablet 5–13

F

- F1, F2, etc. (function keys)
 - accessing F12 on tablet PC keyboard 5–23
 - accessing, on on-screen keyboard 5–3
 - standard functions of 5–23
- F10 prompt during software setup 1–27
- F11/F12 key 5–23
- fasteners
 - for pen 5–1
 - for portfolio 5–9, 5–26
 - for screen protector 5–9, 5–26
 - for tablet PC keyboard 2–9, 5–9, 5–25
- FCC notice 1–38
- feet, tilt and stationary 5–18
- Fn key, on tablet PC keyboard 5–23
- freeze, system 4–5
- function keys (F1, F2, etc.)
 - accessing F12 on tablet PC keyboard 5–23
 - accessing, on on-screen keyboard 5–3
 - standard functions of 5–23

H

- hard drive
 - bay 5–14
 - Hibernation file on 4–3
 - retaining screws 5–14
 - ships inside hard drive bay 5–19

Hardware Guide 2–4

- headset jack 5–8
- Hibernation 4–3
- holder, pen 1–31
- hooks, keyboard 2–9, 5–25
- HP Customer Care
 - Product Tour 2–1
 - tutorials 2–2
- HP Help and Support Center 4–8
- HP Web site 4–7

I

- identifying pen components 5–1
- identifying tablet PC components
 - additional 5–19
 - back 5–14
 - front 5–2
 - left side 5–9, 5–10
 - lower side 5–8
 - right side 5–4
 - top 5–10, 5–11
- identifying tablet PC keyboard components
 - additional 5–27
 - front 5–22
- internal wireless LAN
 - activity light 5–2
 - antennas 5–7, 5–10

- documentation 2–4
- optimizing transmissions 5–7

J

- jack
 - audio-out 5–8
 - headset 5–8
 - microphone 5–8
- Japan-specific outlet adapter 5–21
- jog dial 5–7
- Journal launch button 5–3

K

- key(s)
 - F11/F12 5–23
 - function (F1, F2, etc.) 5–23
 - keypad 5–23
 - Microsoft logo 5–23
 - Windows application 5–23
- keyboard language 1–31
- keyboard, tablet PC
 - alignment key 2–9, 5–9, 5–25
 - attaching 2–8
 - closing 2–11
 - components identified 5–22
 - connector 2–9, 5–9, 5–25
 - detaching 2–12, 2–13
 - F11/F12 key 5–23
 - hooks 2–9, 5–25
 - latch 2–12, 5–24
 - locking to tablet PC 2–12
 - numeric keypad 5–23
 - opening 2–10, 2–12
 - pointing device 5–22
 - releasing 2–12, 2–13
 - rotating 2–10
 - securing 2–11

- tilting 2–10
- unlocking 2–12
- keypad 5–23
- L**
- label
 - Microsoft Certificate of Authenticity 5–17
 - modem approvals 5–17
 - product identification 5–17
 - system 5–17
 - wireless certification 5–17
- LAN. *See* internal wireless LAN; network
- LAN connection lights 5–12
- landscape orientation 5–3
- language
 - choosing during setup 1–27
 - selecting keyboard 1–31
- latch
 - battery pack release 5–15
 - docking restraint, recess 5–14
 - keyboard 2–12, 5–24
 - See also* button(s); switch
- light(s)
 - AC adapter 5–2
 - battery 5–2
 - caps lock 5–22
 - LAN connection 5–12
 - num lock 5–22
 - power/standby 5–4
 - wireless LAN activity 5–2
- local area network (LAN). *See* internal wireless LAN
- lockup, system 5–4
- logo key, Microsoft 5–23

- M**
- microphone 5–8
- microphone jack 5–8
- Microsoft Certificate of Authenticity label 5–17
- Microsoft logo key 5–23
- modem
 - adapter, country-specific 5–21
 - approvals label 5–17
 - cable 5–20
 - Modem Command Guidelines* 2–4
 - Soft Modem AT Command Reference Manual* 2–4
 - surge protection 1–37
- monitor, external
 - external monitor connector 5–11
 - troubleshooting 4–6
- N**
- network
 - LAN connection lights 5–12
 - RJ-45 jack 5–11
 - service boot prompt 5–6
- num lock light 5–22
- number
 - keys, on keypad 5–23
 - Product Key 5–17
 - serial 5–17
- numeric keypad 5–23
- O**
- operating system
 - Microsoft Certificate of Authenticity label 5–17

- Product Key number 5–17
 - tutorials 2–1
- overheating, troubleshooting 4–4
- P**
- passwords 4–10
- pen
 - attaching 1–31
 - button 1–28
 - calibration 1–30
 - components 5–1
 - entering information with 1–28
- pointing device, on tablet PC
 - keyboard 5–22
 - See also* pen
- portrait orientation 5–3
- power
 - cord, connecting 1–14, 1–23
 - cord, identified 5–20
 - indicators 5–4
 - surges 1–37
 - switch 5–4
 - troubleshooting 4–2
- power, AC 1–38
- power/standby light 5–4
- printer 4–6
- product identification label 5–17
- Product Key number 5–17
- projector, external monitor
 - connector 5–11
- Q**
- Q menu 5–6
- Q menu button 5–6
- quick check feature on battery
 - pack 5–15

- R**
- RAM (random access memory)
 - 4–3
- regional settings 1–31
- regulatory information
 - modem approvals label 5–17
 - notices 1–38
 - Regulatory and Safety Notices* 2–5
 - system label 5–17
 - wireless certification label 5–17
- release latch, battery pack 3–5
- release switch, attachment
 - on tablet PC 2–14, 5–14
 - on tablet PC keyboard 5–26
- reset (emergency shut down) 4–5
- RJ-11 telephone jack modem cable 5–20
- RJ-45 network jack network cable 5–20
- rotate button 5–3
- rotation disk 5–24
- S**
- safety considerations 1–37
- screen cleaning 3–1
- screen protector
 - included with docking station 5–9
 - slots, on tablet PC 5–9
 - slots, on tablet PC keyboard 5–26

- universal attachment slots, on tablet PC 5–9
 - universal attachment slots, on tablet PC keyboard 5–26
 - Secure Digital card 5–13
 - security
 - screws, battery pack 1–9, 1–21, 3–4
 - Windows Security button 5–5
 - serial number 5–17
 - Setup utility
 - accessing 5–6
 - resetting tablet PC from 5–5
 - shutting down the tablet PC
 - emergency procedures 4–5
 - Windows procedure 1–37
 - Sleep. *See* Standby
 - slot(s)
 - alignment key 5–9
 - alignment, on battery bay 3–6
 - screen protector, on tablet PC 5–9
 - screen protector, on tablet PC keyboard 5–26
 - universal attachment, on tablet PC 5–9
 - universal attachment, on tablet PC keyboard 5–26
 - software
 - accessing Help files in 4–6
 - Adobe Reader 2–3
 - antivirus 3–2
 - AutoPlay 2–3
 - installing optional 2–6
 - Journal 5–3
 - regional settings 1–31
 - reinstalling 4–7
 - setting up 1–28
 - Setup utility 5–5, 5–6
 - Tablet PC Input Panel 5–3
 - tutorials, on-screen 2–1
 - voice recognition 5–8
 - speakers 5–8
 - Standby
 - described 4–3
 - power/standby light 5–4
 - resuming from 4–3
 - surge protection 1–37
 - Suspend. *See* Standby
 - switch
 - attachment release, on tablet PC 5–14
 - attachment release, on tablet PC keyboard 5–26
 - power 5–4
 - See also* button(s); latch
 - system label 5–17
 - system lock-up 4–5
- T**
- tab button 5–6
 - Tablet PC Input Panel launch button 5–3
 - tablet PC keyboard
 - F11/F12 key 5–23
 - numeric keypad keys 5–23
 - tablet PC keyboard. *See* keyboard, tablet PC

- technical support
 - accessing application Help files 4–6
 - accessing Windows Help files 4–6
 - Product Tour 2–1
 - troubleshooting 4–1
 - tutorials, on-screen 2–1
- telephone jack (RJ-11)
 - modem cable 5–20
- telephone numbers, HP 4–9
- temperature(s), overheating 5–10
- thermal vent 5–10
- tilt
 - adjustment 5–25
 - feet 5–18
- time, setting 1–31
- troubleshooting
 - computer viruses 4–7
 - display problems 4–4
 - external device problems 4–6
 - Hibernation or Standby problems 4–3
 - overheating problems 4–4
 - power problems 4–1
 - Quick Solutions checklist 4–1
 - response problems 4–5
 - software problems 4–7
 - Troubleshooting* 2–5
- turning off the tablet PC
 - emergency procedures 4–5
 - standard procedures 1–37
- turning on the tablet PC
 - standard procedure 1–16, 1–25
 - troubleshooting 4–1
 - tutorials, on-screen 2–1

U

- universal attachment slots
 - on tablet PC 5–9
 - on tablet PC keyboard 5–26
- USB
 - connector 5–11
 - External MultiBay connector 5–11
- utilities, HP 2–7

V

- vent 5–10
 - troubleshooting 4–4
- viruses, computer
 - protecting against 3–2
 - troubleshooting 4–7
- voice recognition software 5–8
- volume control 5–6

W

- Windows
 - applications key 5–23
 - documentation 2–1, 4–6
 - Help files 4–6
 - logo key 5–23
 - regional settings 1–31
 - Security button 5–5
 - shut down procedures 1–37
- Windows automatic wireless
 - network configuration, disabling 1–33
- wireless
 - Bluetooth 1–36
 - installing device utilities 1–35
 - locating device information 1–34
 - reference guides 1–35, 1–36

wireless LAN, internal
antennas 5-7, 5-10
optimizing transmissions 5-7

wireless certification label
5-17
wireless LAN activity light 5-2