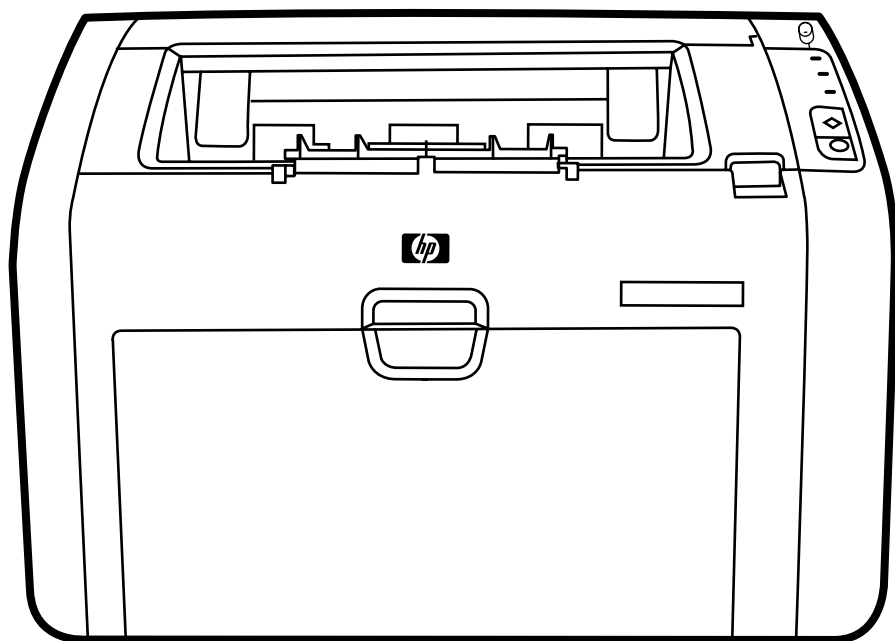


# HP LaserJet 1022nw



Getting Started Guide  
Guide de démarrage  
Guía de puesta en marcha  
Guia de primeiros passos

Lea Esto Primero



# HP LaserJet 1022nw Wireless Printer

## Getting Started Guide

---

## Copyright and License

© 2005 Copyright Hewlett-Packard Development Company, L.P.

Reproduction, adaptation, or translation without prior written permission is prohibited, except as allowed under the copyright laws.

The information contained herein is subject to change without notice.

The only warranties for HP products and services are set forth in the express warranty statements accompanying such products and services. Nothing herein should be construed as constituting an additional warranty. HP shall not be liable for technical or editorial errors or omissions contained herein.

Part number: Q5914-90901

Edition 1, 2/2005

## FCC Regulations

This equipment has been tested and found to comply with the limits for a Class B digital device, pursuant to Part 15 of the FCC rules. These limits are designed to provide reasonable protection against interference when the equipment is operated in a residential installation. This equipment generates, uses, and can radiate radio frequency energy and, if it is not installed and used in accordance with the instructions, it may cause harmful interference to radio communications. However, there is no guarantee that interference will not occur in a particular installation. If this equipment does cause harmful interference to radio or television reception, which can be determined by turning the equipment off and on, the user is encouraged to try to correct the interference by one or more of the following measures:

Reorient or relocate the receiving antenna.

Increase separation between the equipment and receiver.

Connect equipment into an outlet on a circuit different from that to which the receiver is connected.

Consult your dealer or an experienced radio/TV technician.

Any changes or modifications to the printer that are not expressly approved by HP could void the user's authority to operate the equipment.

Use of a shielded interface cable is required to comply with the Class B limits of Part 15 of FCC rules.

This device complies with Part 15 of FCC Rules. Operation is subject to the following two conditions: (1) this device may not cause harmful interference, and (2) this device must accept any interference received, including interference that may cause undesired operation.

## Trademark Credits

Microsoft®, Windows®, and Windows NT® are U.S. registered trademarks of Microsoft Corporation.

# Table of contents

## 1 Introduction

Device overview .....	2
Preparing the location .....	3
Package contents .....	4
Locating the device parts .....	5

## 2 Setting up the printer

Remove the tape .....	8
Prepare the print cartridge .....	9
Load the 250-sheet main input tray .....	11
Select a connection method .....	12
Connect the printer to a wired network .....	13
Connect the printer to a wireless only network .....	15
Networking information and components .....	15
Networking components for a Windows infrastructure installation .....	16
Procedure for a Windows infrastructure network installation .....	17
Network components for a Windows ad-hoc (peer-to-peer) network installation .....	19
Procedure for a Windows ad-hoc (peer-to-peer) network installation .....	19
Connecting to a wireless network (Macintosh) .....	20
Direct connect using the USB port .....	24



# 1

# Introduction

This chapter contains the following sections:

- [Device overview](#)
- [Preparing the location](#)
- [Package contents](#)
- [Locating the device parts](#)

## Device overview

---

**NOTE**

---

The HP LaserJet 1022nw printer is part of the HP LaserJet 1022 series printer family. For information about using the printers in this series, see the *HP LaserJet 1022 User Guide* located on the CD-ROM.

The HP LaserJet 1022nw printer contains all the features of the HP LaserJet 1022 printer. In addition, the HP LaserJet 1022nw printer includes integrated 802.11b/g wireless connectivity and an internal network port.



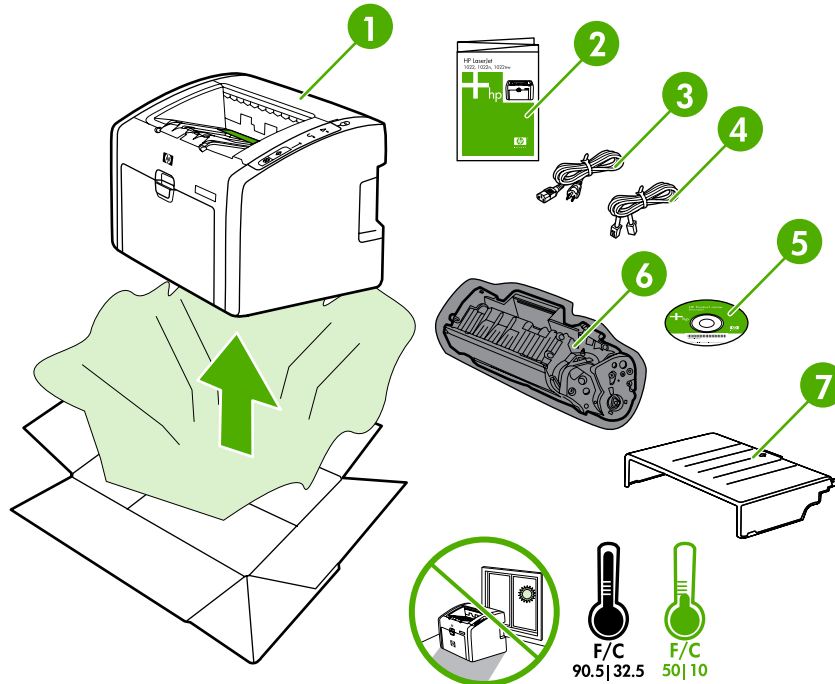
## Preparing the location

Place the printer on a sturdy, level surface in a well-ventilated area. Make sure there is enough space around the printer to allow air to flow through the vents.

Do not place the printer in direct sunlight or in an area that has abrupt temperature and humidity changes. The recommended temperature range is 10°C to 32.5°C (50°F to 90.5°F).

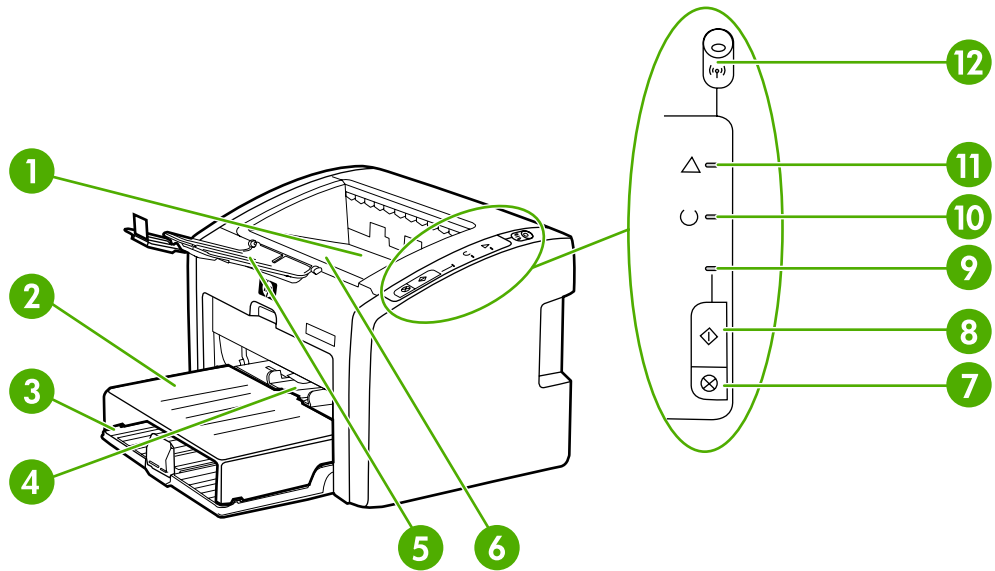
## Package contents

The printer package contains the following hardware, software, and documentation.

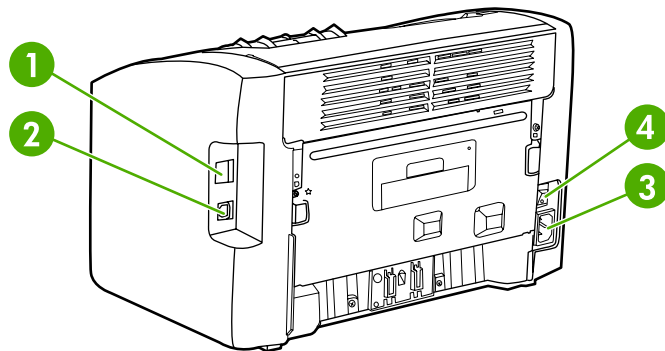


- 1 HP LaserJet 1022nw printer
- 2 Documentation (this manual)
- 3 Power cord
- 4 Network cable
- 5 CD-ROM containing the installation software and the *HP LaserJet 1022nw printer Wireless User Guide*
- 6 Print cartridge
- 7 Input tray cover

## Locating the device parts



- 1 Output bin
- 2 Input tray cover
- 3 250-sheet main input tray
- 4 Priority feed slot
- 5 Output media storage
- 6 Print cartridge door
- 7 CANCEL button
- 8 Go button
- 9 Go light
- 10 Ready light
- 11 Attention light
- 12 Wireless light



- 1 Internal network port
- 2 USB port
- 3 Power receptacle
- 4 On/Off switch



# 2

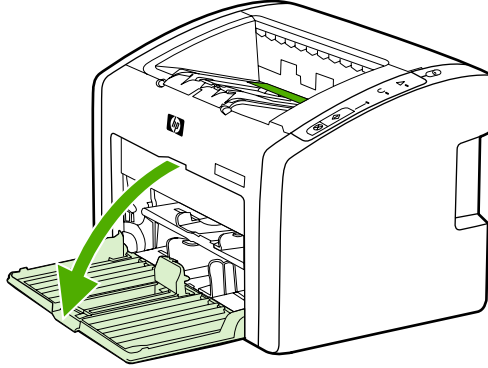
## Setting up the printer

This chapter contains the following sections:

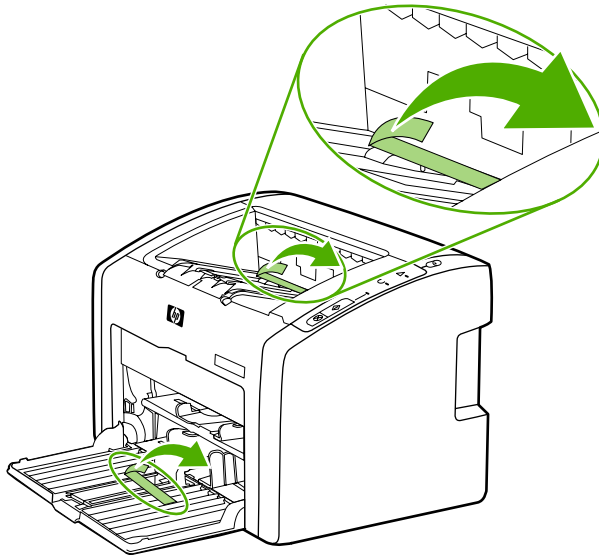
- [Remove the tape](#)
- [Prepare the print cartridge](#)
- [Load the 250-sheet main input tray](#)
- [Select a connection method](#)
- [Connect the printer to a wired network](#)
- [Connect the printer to a wireless only network](#)
- [Direct connect using the USB port](#)

## Remove the tape

1. Open the main input tray.

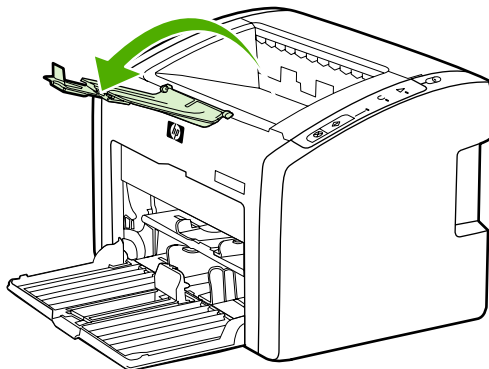


2. Remove the orange tape from the printer.

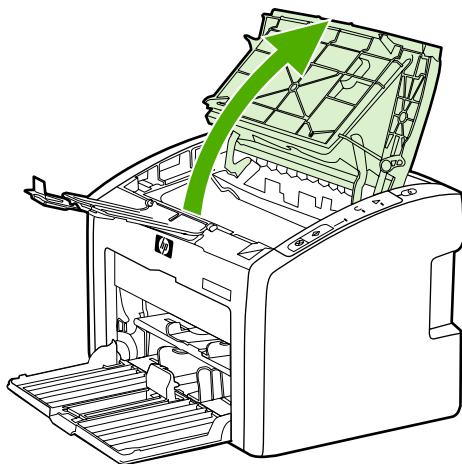


## Prepare the print cartridge

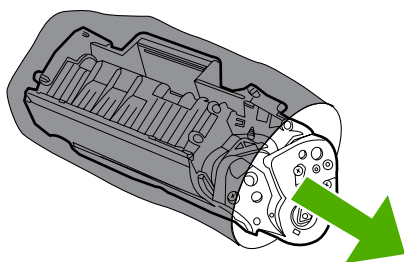
1. Open the output media storage tray.



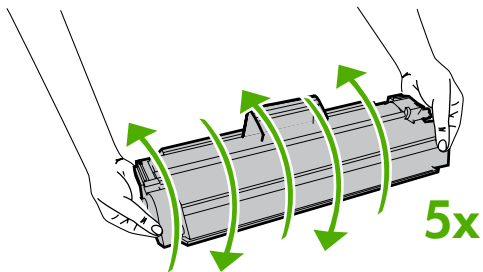
2. Open the print cartridge door.



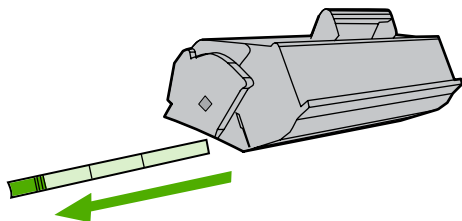
3. Remove the print cartridge from the wrapping.



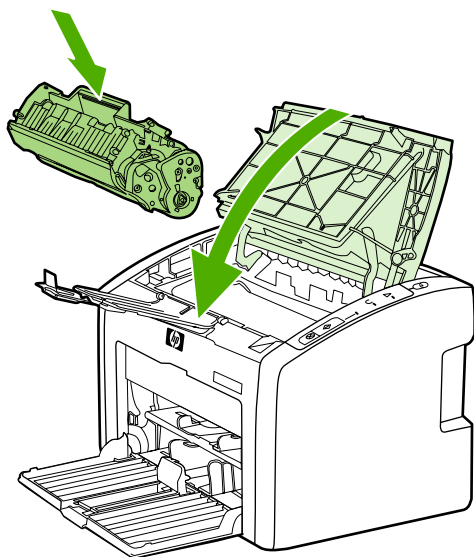
4. Grasp both sides of the cartridge and gently rock the cartridge forward and backward five times. This action distributes the toner.



5. Remove the inside sealing tape by breaking the tab on the end of the cartridge and pulling the tape completely out.



6. Insert the print cartridge and close the print cartridge door.



---

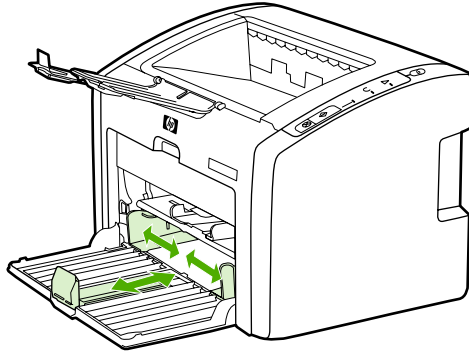
**NOTE**

To prevent damage to the print cartridge, minimize its exposure to direct light.

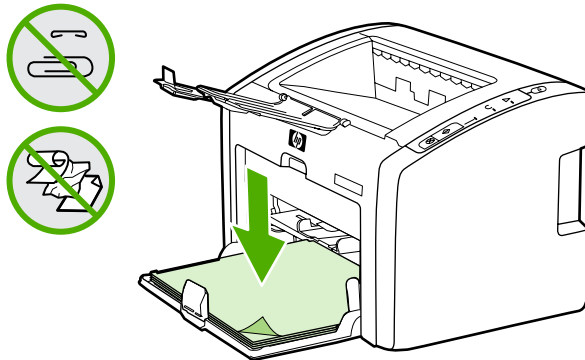


## Load the 250-sheet main input tray

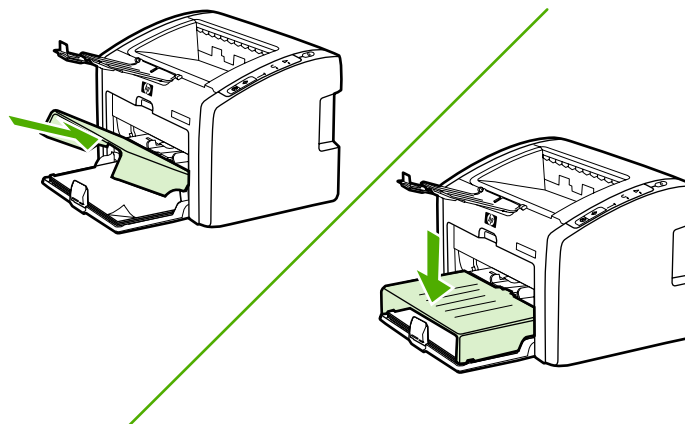
1. Adjust the media guides to the correct media size settings.



2. Insert the paper with the top forward and the side to be printed facing down.



3. Insert the input tray cover.



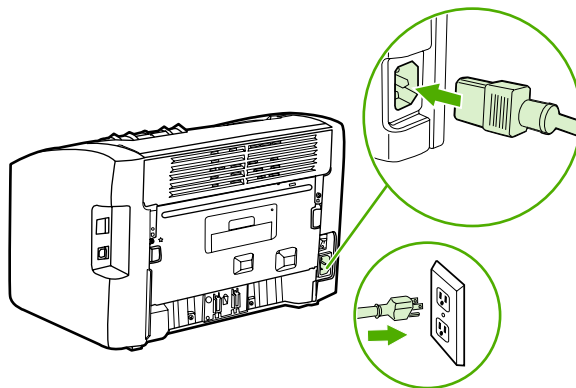
## Select a connection method

Select one of the following methods for connecting the printer:

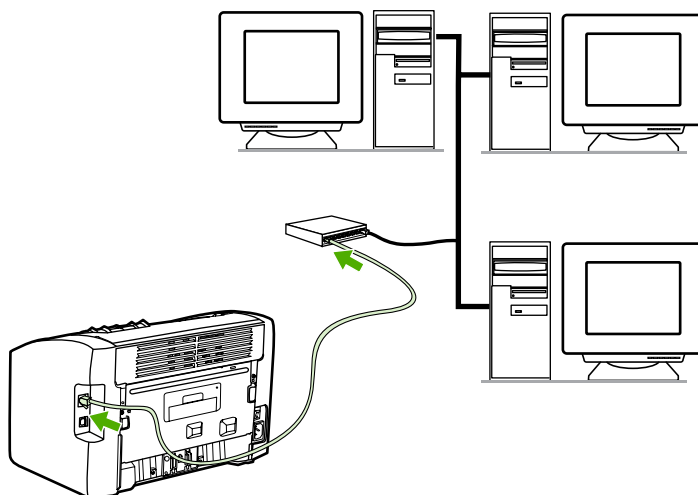
- **Wired network:** To connect to a wired network, see [Connect the printer to a wired network](#)  
-or-
- **Wireless network:** To connect to a wireless network, see [Connect the printer to a wireless only network](#)  
-or-
- **USB:** To perform a USB direct connect, see [Direct connect using the USB port](#)

## Connect the printer to a wired network

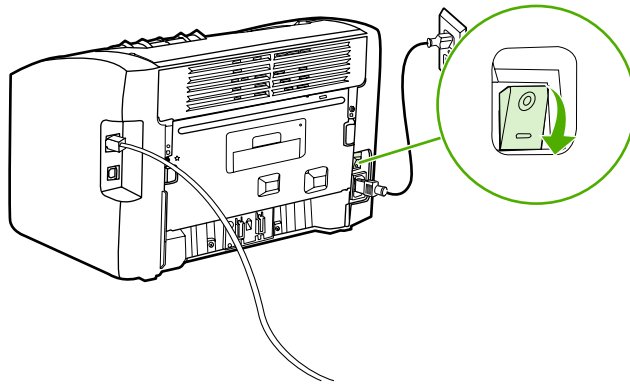
1. Plug the power cord into the printer and then plug the cord into the power outlet.



2. Connect the network cable between the network port on the printer and the network hub.



3. Turn the printer on.



---

**NOTE**

---

To obtain additional information about the network configuration settings, print a configuration page. When the printer is in the **Ready** state, press and hold the **Go** button until the Ready light starts blinking.

4. Insert the software CD into the computer CD-ROM drive. Follow the on-screen installation instructions.



## Connect the printer to a wireless only network

This section contains information about connecting the printer to a wireless only network. For more information about wireless networking, see the *HP LaserJet 1022nw printer Wireless User Guide*.

---

**NOTE**

The printer cannot be connected to a wired and wireless network at the same time. For example, if the printer is set to a wired network, you cannot also connect it to a wireless network.

---

**NOTE**

It is highly recommended that you implement a wireless security scheme (either Wired Equivalent Privacy [WEP] or Wi-Fi protected access [WPA]) prior to setup. In addition, use an antivirus program to protect against computer viruses, and follow basic security rules. Other network components, including firewalls, intrusion-detection systems, and segmented networks, should also be considered as part of the network design.

---

### Networking information and components

Installing the printer to a wireless network requires networking information and networking components.

#### Networking information

Obtain the following information from the system administrator or the person who installed the network:

- The network's network name (SSID): the SSID identifies a particular wireless network. In order to operate on a network, any connecting device must know the network name.
- The network's communication mode: either infrastructure or ad-hoc.

In infrastructure mode, the printer communicates with network computers through a wireless access point (WAP) or a base station. The access point acts as a central hub or gateway connecting wireless and, optionally, wired devices.

In ad-hoc mode, which is sometimes called peer-to-peer mode, the printer communicates with the computer directly, rather than through a WAP or base station. Each device on an ad-hoc network must have a wireless network adapter.

---

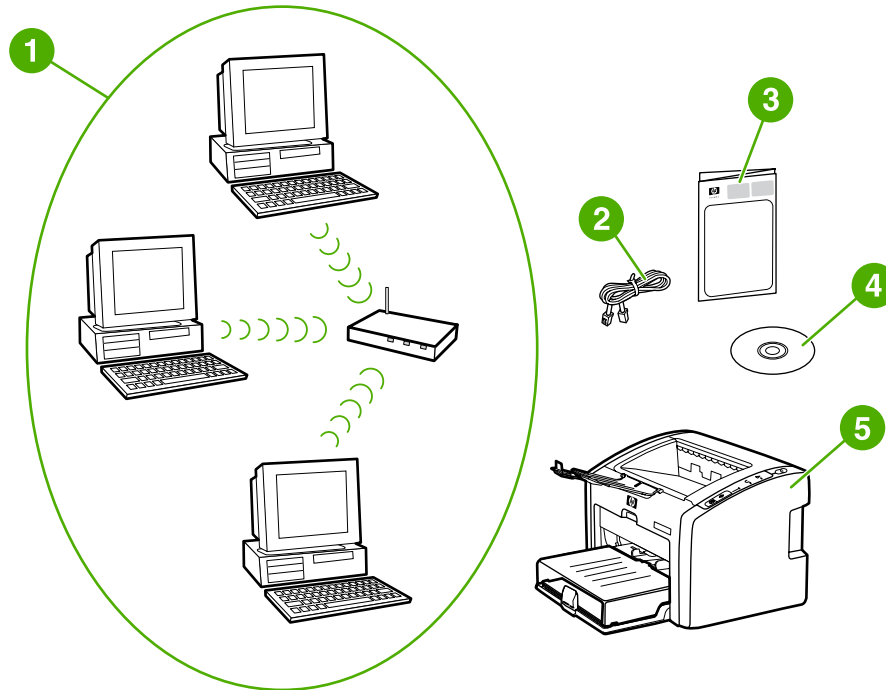
**NOTE**

For maximum performance, HP recommends connecting the printer to a network that communicates using the infrastructure mode.

- The network's security settings (if used): WEP and the WEP key used, authentication method (Open, Shared Key, or Pre Shared Key [PSK]), and Encryption (none, WEP, or WPA).

## Networking components for a Windows infrastructure installation

The following diagram shows the printer and hardware and software components required for a wireless installation:



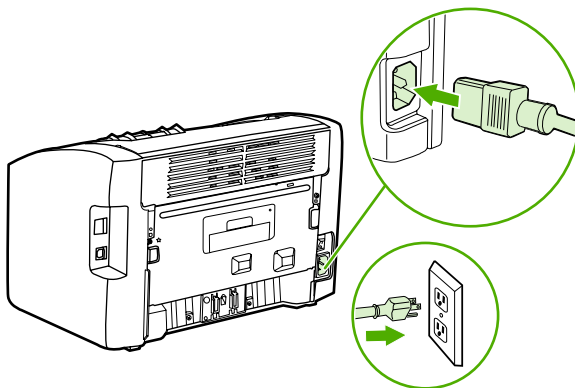
- 1 Functioning wireless network
- 2 Network cable (provided with the printer)
- 3 *HP LaserJet 1022nw Wireless Printer Getting Started Guide* (this document)
- 4 CD-ROM containing the installation software and the *HP LaserJet 1022nw Wireless Printer User Guide*
- 5 HP LaserJet 1022nw printer

## Procedure for a Windows infrastructure network installation

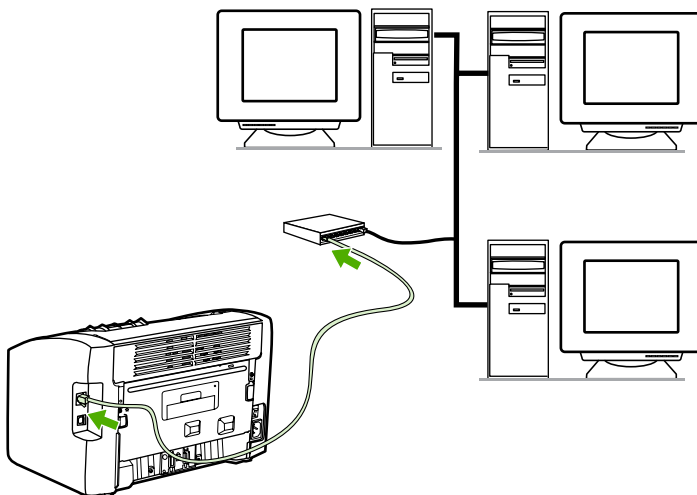
### NOTE

If you experience problems during the wireless installation process, see the *Problem solving* section of the *HP LaserJet 1022nw Wireless Printer User Guide*.

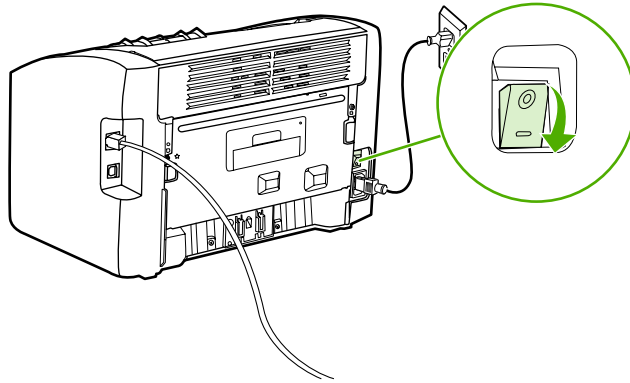
1. Plug the power cord into the printer and then plug the cord into the power outlet.



2. Connect the cable from the network port on the printer to the network hub/router. This cable connection is temporary. At the end of the installation process, you will disconnect the cable. The printer will then operate wirelessly. (Use the cable that is packaged with the printer.)



3. Turn the printer on.



The green light on the network port illuminates.

4. Print a configuration page to obtain additional information about the network configuration settings, such as the IP address. When the printer is in the **Ready** state, press and hold the **Go** button until the Ready light starts blinking.

---

**NOTE**

---

If the IP address on the configuration page is 0.0.0.0, then wait a few minutes and then print the configuration page again. Do this until the IP address is not 0.0.0.0. The printer will have an IP address based on your personal network configuration. For example, the IP address might look like 192.168.x.y, where the x and y can be any numbers between 0 and 255.

5. Insert the CD into a computer that is linked to the network. Follow the on-screen installation prompts. In the **Model** dialog box, select the **HP LaserJet 1022nw**. In the **Printer Connection** dialog box, select the **Connected via wireless** option.

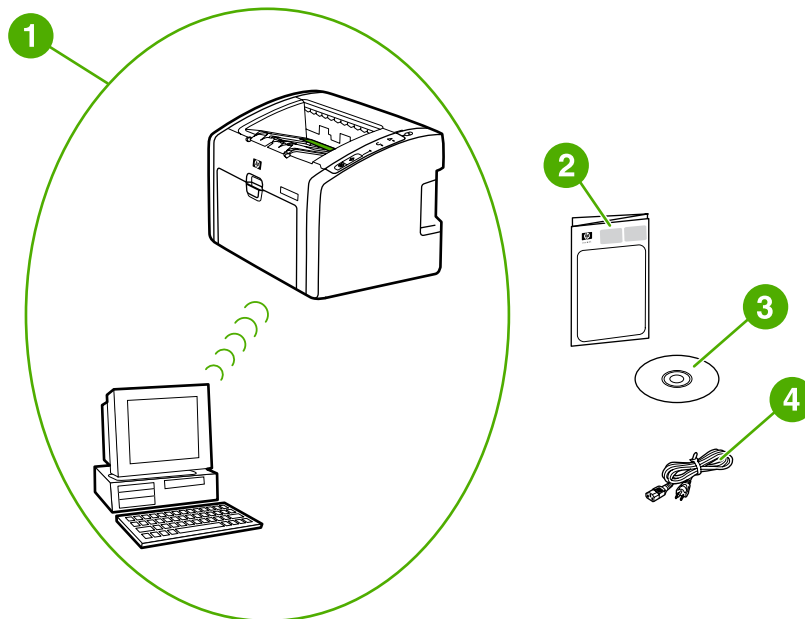


6. After the installation is complete, make sure that the network cable is disconnected.



## Network components for a Windows ad-hoc (peer-to-peer) network installation

You will need the following components to perform an ad-hoc installation:



- 1 Functioning ad-hoc wireless network
- 2 *HP LaserJet 1022nw Wireless Printer Getting Started Guide* (this document)
- 3 CD-ROM containing the installation software and the *HP LaserJet 1022nw Wireless Printer User Guide*
- 4 Power cord

## Procedure for a Windows ad-hoc (peer-to-peer) network installation

Please read the entire procedure before starting an ad-hoc wireless network installation. For best results, follow the instructions in the order listed.

### NOTE

HP highly recommends that you have an existing ad-hoc network or that you configure one before starting this installation method.

1. Preparing the printer
  - a. Close all applications on your computer.
  - b. Plug the printer into a power outlet and turn the printer on.
  - c. Wait a few minutes and then print a configuration page. When the printer is in the **Ready** state, press and hold the **Go** button until the Ready light starts blinking.
  - d. If the IP address on the configuration page is 0.0.0.0, then wait a few minutes and repeat the previous step. Do this until the IP address is not 0.0.0.0. The printer will have an IP address based on your personal network configuration. For example, the IP address might look like 192.168.x.y, where the x and y can be any numbers between 0 and 255.

- e. On the configuration page, confirm that there is a Network Name (SSID), such as **hpsetup**.
2. Preparing your computer
    - a. Unplug any network cable connected to your computer. This will disable any wired network. Only the wireless network should be active during the installation. To verify that your wired network is disabled, click **Start, Control Panel, and Network Connections**. (The unplugged cables should be reconnected after the installation is complete.)
    - b. In the configuration properties for your computer's wireless network card, verify that the **hpsetup** network is available and connect to it. (For example, in Windows XP, to connect to the **hpsetup** wireless network, click **Start, Control Panel, Network Connections**, and **Wireless Network Connection**. Then click **Properties** and select the **Wireless Networks** tab. In the **Available networks** box, select **hpsetup** and click **Configure**. Click **OK**. The network name, **hpsetup**, should now be available in the **Preferred networks** section. Click **Refresh** if the **hpsetup** network is not listed.) If you are using a wireless card or wireless adapter, use the utility that came with your wireless card or wireless adapter to add **hpsetup** to your network options. The network name, **hpsetup**, should only be used to configure the printer.
    - c. Ensure that your computer has an automatic IP address before starting the software installation. Your computer may take a few moments to acquire an automatic IP address. (For example, in Windows XP, to check whether your computer has an automatic IP address, click **Start, All programs, Connect To** or click **Start, Connect To** and **Show all connections**. Then select **Wireless Network Connection**. In the **Details** section, verify that the IP address is similar to 192.168.x.y, where x and y are any numbers between 0 and 255. Also, verify that the peer-to-peer network name is **hpsetup**.) If the computer has not yet acquired a valid automatic IP address, wait a few minutes. The **Details** section of the **Network Connections** box will change to show the new IP address when it is valid. Now you are ready to start the software installation.
  3. Installing the Software
    - a. Insert the software CD into your computer's CD-ROM drive. Start the software installation, and follow the on-screen instructions.
    - b. If one or more printers are found and displayed on the **Printers Found** page, select the printer that has the same IP address as the one you are installing, and then click **Next**.
    - c. HP highly recommends that you select **Change Settings** on the **Confirm Settings** page to configure your device's network to match the settings of the existing ad-hoc network on your computer. If you do not have an existing ad-hoc network, then accept the default settings.
    - d. Accept the settings on the **Confirm Settings** page.
    - e. Continue with the installation until the process is complete.
    - f. After the software installation is complete and your computer has been restarted, reconnect any network cables that you may have unplugged during the installation.

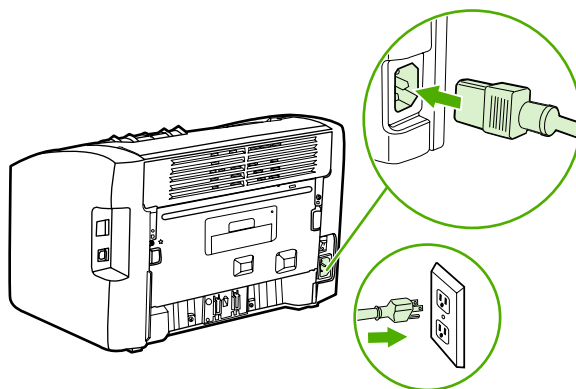
## Connecting to a wireless network (Macintosh)

Use the following steps to setup a wireless network on a Macintosh.

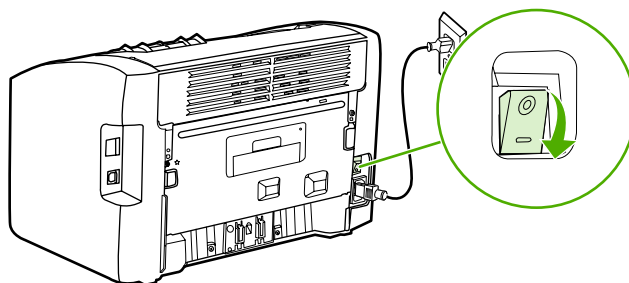
**NOTE**

The printer must first be setup in ad-hoc mode (peer-to-peer) before it can join an infrastructure mode (network).

1. Setting up the Macintosh
  - a. Start the Macintosh in OS X 10.2 or higher (not supported in v10.1).
  - b. Plug the power cord into the printer and then plug the cord into the power outlet.



- c. Turn the printer on.



- d. Print a configuration page to obtain information about the network configuration settings. When the printer is in the **Ready** state, press and hold the **Go** button until the Ready light starts blinking.
    - e. On the Macintosh, open **System Preferences**, and then click the **Network** icon.
    - f. From the **Location Selector**, select **New Location**.
    - g. Type in a name for the new location, such as **HP Setup**, and then click **OK**.
    - h. Select **Show**, and then **Network Port Configurations**. Make sure **Internal Modem** and **Built-In Ethernet** are not selected.
    - i. Set **Show:** to **AirPort**.
    - j. Click **Join a specific network**.
    - k. Select **hpsetup** from the drop-down menu.
    - l. Click on the **TCP/IP** tab, and select **Manually** from the **Configure** drop-down menu.

- m. Find the current IP address on the configuration page. Configure the Macintosh IP address to an IP address that matches the number on the configuration page, except for the last digit. Change the last digit to one above the number shown on the configuration page. For example, if the HP network IP address is 192.0.0.192, then use 192.0.0.193, subnet 255.255.255.0, and router 192.0.0.193 (or leave the router blank) as the current IP address of the Macintosh.
- n. Click **Apply Now**.

---

**NOTE**

---

The signal indicator in the top right corner of the computer screen will change to *Adhoc Mode*.

2. Configuring the printer for infrastructure mode
  - a. Open a web browser (for example, Safari, Internet Explorer (IE), or Netscape).
  - b. Type the IP address from the configuration page in a web browser's address line to open the embedded Web server (EWS).
  - c. Click the **Networking** tab.
  - d. Click the **Wireless** option on the left side.
  - e. In the **Communications Mode** section, select **Infrastructure** as the Communications Mode.
  - f. Select the network name in the Network Name (SSID) drop-down menu, or type the name of the SSID network. This is case sensitive.
  - g. Under **Authentication**, select the appropriate **Authentication** type: Open System, Shared Key, or WPA\_PSK.

---

**NOTE**

---

If you select **Shared Key** or **WPA\_SPK**, you must enter the network password.

- h. Under the **IP Address Configuration**, select either **Automatic IP** (if the access point can issue an IP Address) or **Manual IP** (to give a static IP, fill in the IP address, Subnet Mask, and Default Gateway).
- i. Click **Apply**.
- j. Close the web browser.
- k. Print a configuration page. When the printer is in the **Ready** state, press and hold the **Go** button until the Ready light starts blinking.
- l. Check if the IP address is correct. If it is, go to step o. If the IP address is not correct, go to step m. If the network is encrypted, verify the password.
- m. Go back to **System Preferences**, and click the **Network** icon.
- n. Change the **Location Selector** back to the original setting (for example, **Automatic**).
- o. Set **Show:** to **AirPort**.
- p. Click the **Airport** tab.
- q. Click **Join a Specific Network** and choose your network name.

- r. Click **Apply**.

The printer is ready for wireless use.

---

**NOTE**

---

The signal indicator in the top right corner of the computer screen will change to *Your Network Mode*.

3. Setting up a print queue

- a. Open **Print Center** or **Printer Setup Utility**. (Click the hard drive icon, select **Applications**, click **Utility**, and then **Print Center** or **Printer Setup Utility**.)
- b. Add the printer using Rendezvous.

---

**NOTE**

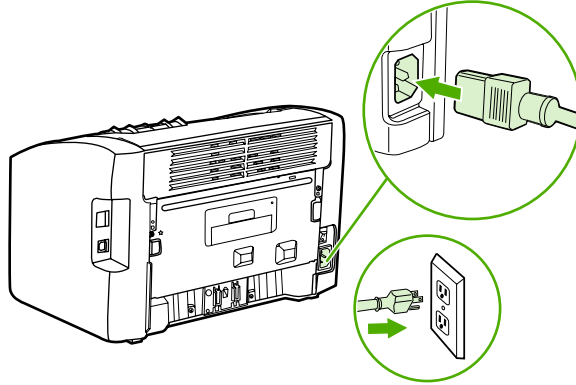
---

You can add a printer using Rendezvous only. AppleTalk and TCP/IP are not supported.

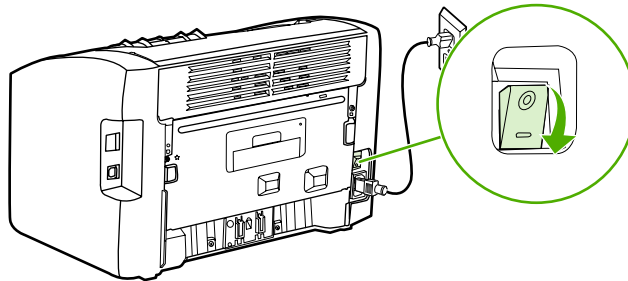
- c. Print a test page using Text Edit to verify functionality of the printer. (To open the application, click on the hard drive icon, select **Applications**, and then click on **Text Edit**.)

## Direct connect using the USB port

1. Plug the power cord into the printer and then plug the cord into the power outlet.



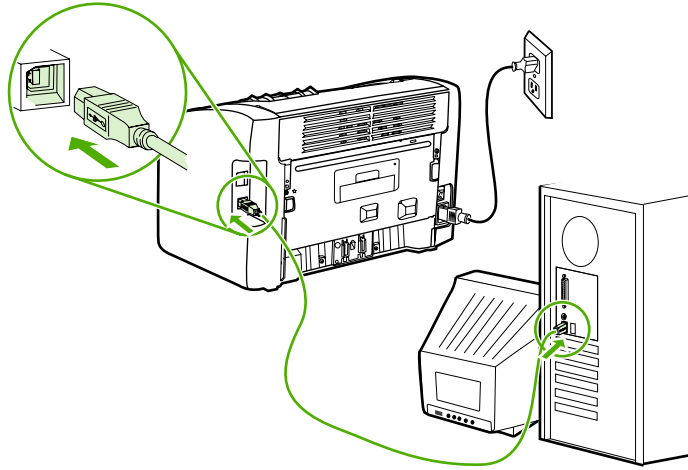
2. Turn the printer on.



3. Insert the software CD into the computer CD-ROM drive. Follow the on-screen installation instructions.



4. When prompted, connect the USB cable between the printer and the computer.







# Imprimante sans fil HP LaserJet 1022nw

Français

**Guide de démarrage** \_\_\_\_\_

## Copyright et Licence

© 2005 Copyright Hewlett-Packard Development Company, L.P.

Il est interdit de reproduire, adapter ou traduire ce manuel sans autorisation expresse par écrit, sauf dans les cas permis par les lois régissant les droits d'auteur.

Les informations contenues dans ce document sont sujettes à modification sans préavis.

Les seules garanties concernant les produits et services HP sont énoncées dans la garantie qui accompagne ces produits et services. Rien en ceci ne devra être interprété comme constituant une garantie supplémentaire. HP ne pourra être tenue pour responsable des erreurs techniques et rédactionnelles ou des omissions présentes dans ce document.

Référence : Q5914-90901

Edition 1, 2/2005

## Conformité FCC

Cet équipement a été testé et trouvé conforme aux limites d'un appareil de classe B, conformément à la section 15 de la notice FCC relative aux interférences radioélectriques. Ces limites sont conçues pour fournir une protection raisonnable contre les interférences nuisibles dans une installation résidentielle. Ce matériel génère, utilise et peut émettre de l'énergie haute fréquence. S'il n'est pas installé et utilisé en accord avec les instructions, il peut provoquer des interférences et perturber les communications radio. L'absence d'interférences n'est toutefois pas garantie dans une installation particulière. Si ce matériel provoque des interférences et perturbe la réception radio ou télévisée, ce qui peut être vérifié en mettant le matériel sous et hors tension, nous encourageons l'utilisateur à y remédier en appliquant l'une des mesures suivantes :

Modifier l'orientation de l'antenne de réception ou la déplacer.

Augmenter la distance séparant le matériel du récepteur.

Brancher le matériel sur une prise située sur un circuit différent de celui où se trouve le récepteur.

Contactez votre revendeur ou un technicien radio/TV expérimenté.

Toute modification apportée à l'imprimante et non approuvée expressément par Hewlett-Packard peut annuler l'autorisation donnée à l'utilisateur de se servir de ce matériel.

L'utilisation d'un câble d'interface blindé est nécessaire pour se conformer aux limites de la classe B de la section 15 de la notice FCC relative aux interférences radioélectriques.

Ce produit est conforme à l'article 15 des règles FCC. Son fonctionnement est soumis aux deux conditions suivantes :

(1) cet appareil ne peut pas provoquer d'interférences et (2) cet appareil doit accepter toute interférence reçue, y compris les interférences susceptibles de provoquer une opération indésirable.

## Marques citées

Microsoft®, Windows® et Windows NT® sont des marques déposées aux Etats-Unis de Microsoft Corporation.

# Sommaire

## 1 Introduction

Présentation du périphérique .....	2
Préparation de l'emplacement .....	3
Contenu du carton .....	4
Emplacement des pièces du périphérique .....	5

## 2 Installation de l'imprimante

Retrait de la bande .....	8
Préparation de la cartouche d'impression .....	9
Chargement du bac d'entrée principal de 250 feuilles .....	11
Sélection d'une méthode de connexion .....	12
Connexion de l'imprimante à un réseau câblé .....	13
Connexion de l'imprimante à un réseau uniquement sans fil .....	15
Composants et informations de mise en réseau .....	15
Composants réseau pour une installation d'infrastructure Windows .....	16
Procédure d'installation sur un réseau à infrastructure Windows .....	17
Composants réseau pour une installation réseau ad hoc (homologue) Windows .....	19
Procédure d'installation réseau ad hoc (homologue) Windows .....	19
Connexion à un réseau sans fil (Macintosh) .....	21
Connexion directe via le port USB .....	24



# 1

# Introduction

Ce chapitre contient les sections suivantes :

- [Présentation du périphérique](#)
- [Préparation de l'emplacement](#)
- [Contenu du carton](#)
- [Emplacement des pièces du périphérique](#)

## Présentation du périphérique

---

### Remarque

---

L'imprimante HP LaserJet 1022nw fait partie de la gamme d'imprimantes HP LaserJet 1022. Pour plus d'informations sur l'utilisation des imprimantes de cette gamme, reportez-vous au *Guide d'utilisation de l'imprimante HP LaserJet 1022* disponible sur le CD-ROM.

L'imprimante HP LaserJet 1022nw présente toutes les caractéristiques de l'imprimante HP LaserJet 1022. En outre, elle inclut une connectivité sans fil 802.11b/g intégrée et un port réseau interne.

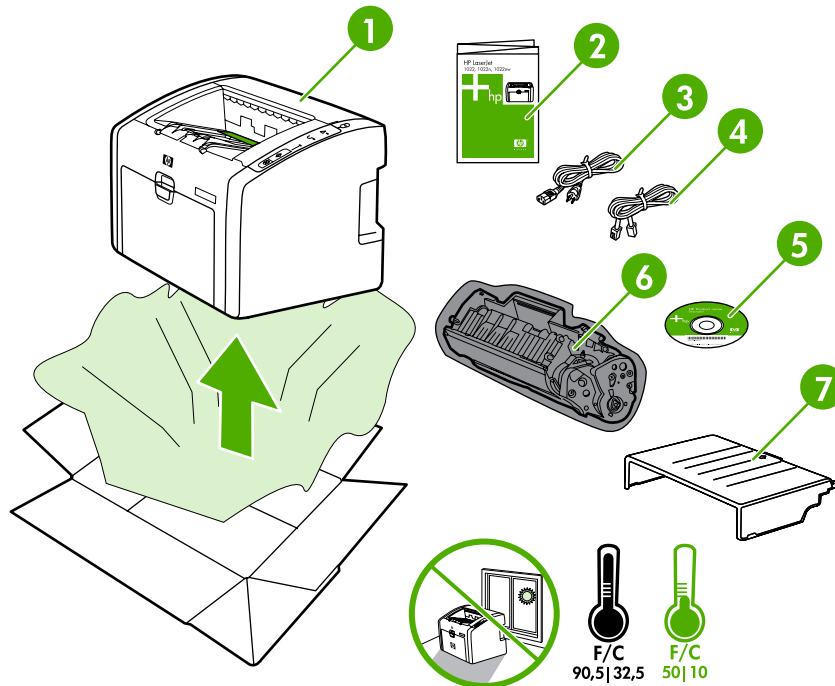
## Préparation de l'emplacement

Placez l'imprimante sur une surface plane et stable dans un local correctement ventilé. Assurez-vous qu'il existe un espace suffisant autour de l'imprimante pour permettre à l'air de circuler au travers des ouvertures de ventilation.

N'exposez pas l'imprimante à la lumière directe du soleil et ne la placez pas dans un local sujet à des changements brusques de température et d'humidité. La plage de température recommandée est 10 à 32,5 °C.

## Contenu du carton

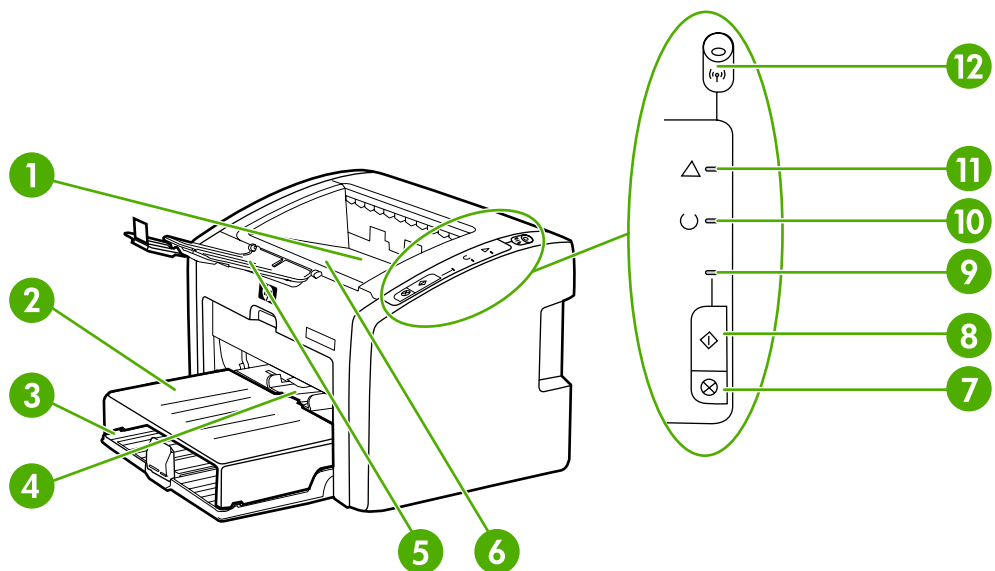
Le carton de l'imprimante contient le matériel, le logiciel et la documentation ci-dessous.



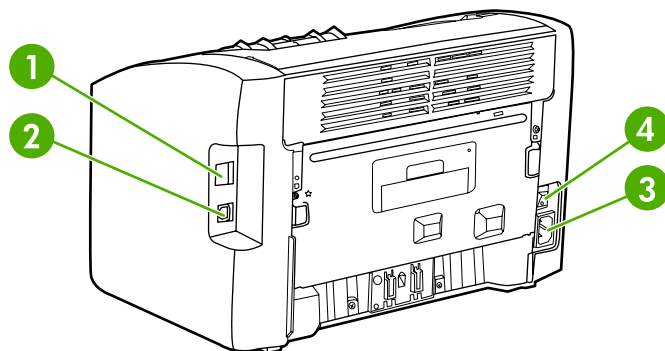
- 1 Imprimante HP LaserJet 1022nw
- 2 Documentation (ce manuel)
- 3 Cordon d'alimentation
- 4 Câble réseau
- 5 CD-ROM contenant le logiciel d'installation et le *Guide d'utilisation de l'imprimante sans fil HP LaserJet 1022nw*
- 6 Cartouche d'impression
- 7 Couvercle du bac d'entrée



## Emplacement des pièces du périphérique



- 1 Bac de sortie
- 2 Couvercle du bac d'entrée
- 3 Bac d'entrée principal de 250 feuilles
- 4 Fente d'alimentation prioritaire
- 5 Stockage de supports de sortie
- 6 Panneau d'accès à la cartouche d'impression
- 7 Bouton **ANNULER**
- 8 Bouton **EXÉCUTER**
- 9 Voyant Exécuter
- 10 Voyant Prêt
- 11 Voyant Attention
- 12 Voyant Sans fil



- 1 Port réseau interne
- 2 Port USB
- 3 Prise de courant
- 4 Interrupteur marche/arrêt



# 2

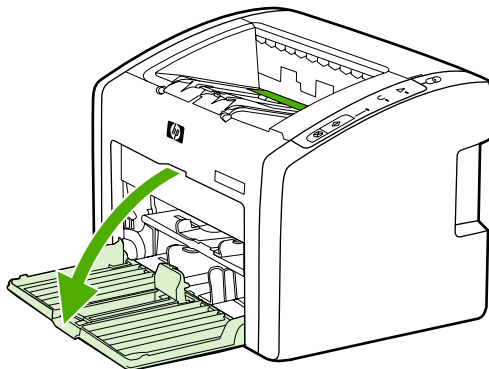
## Installation de l'imprimante

Ce chapitre contient les sections suivantes :

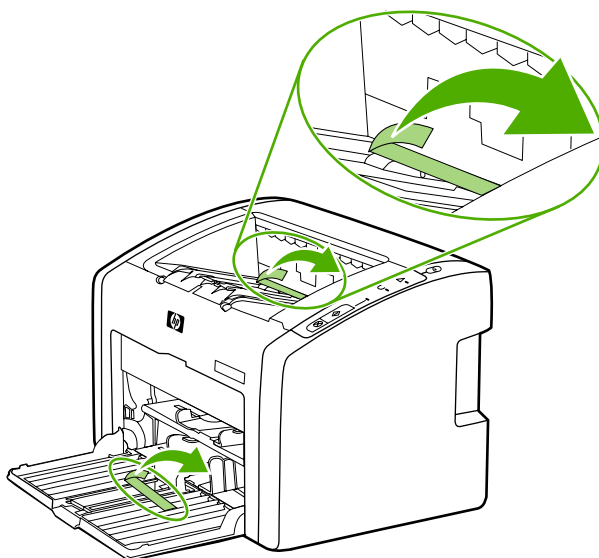
- [Retrait de la bande](#)
- [Préparation de la cartouche d'impression](#)
- [Chargement du bac d'entrée principal de 250 feuilles](#)
- [Sélection d'une méthode de connexion](#)
- [Connexion de l'imprimante à un réseau câblé](#)
- [Connexion de l'imprimante à un réseau uniquement sans fil](#)
- [Connexion directe via le port USB](#)

## Retrait de la bande

1. Ouvrez le bac d'entrée principal.

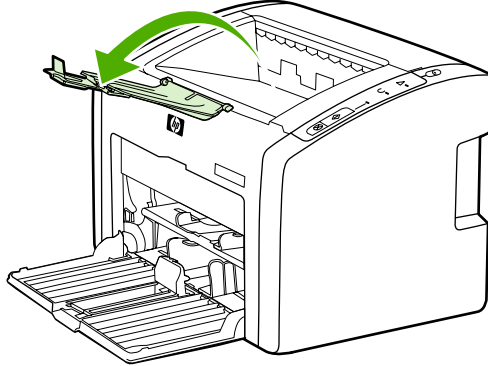


2. Retirez la bande orange de l'imprimante.

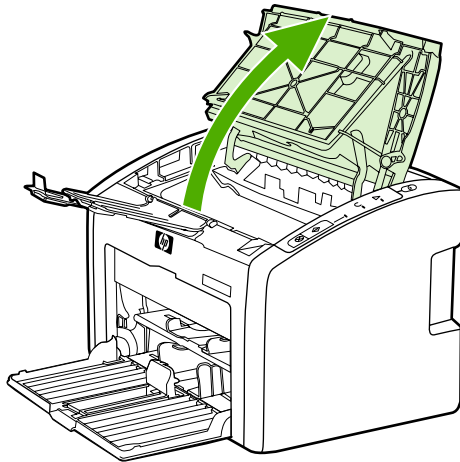


## Préparation de la cartouche d'impression

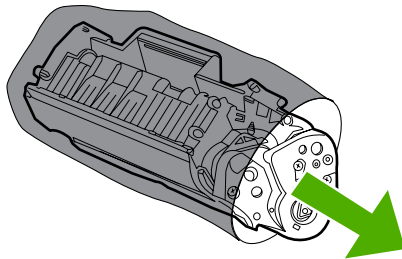
1. Ouvrez le bac de stockage de supports de sortie.



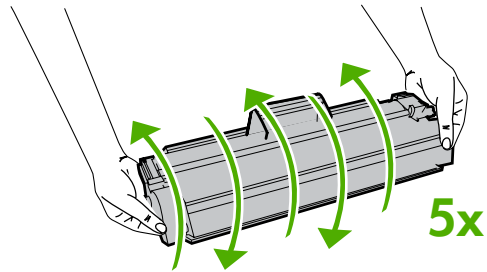
2. Ouvrez le panneau d'accès à la cartouche d'impression.



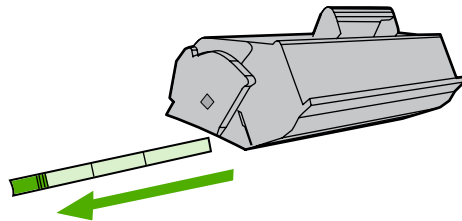
3. Retirez la cartouche d'impression de son emballage.



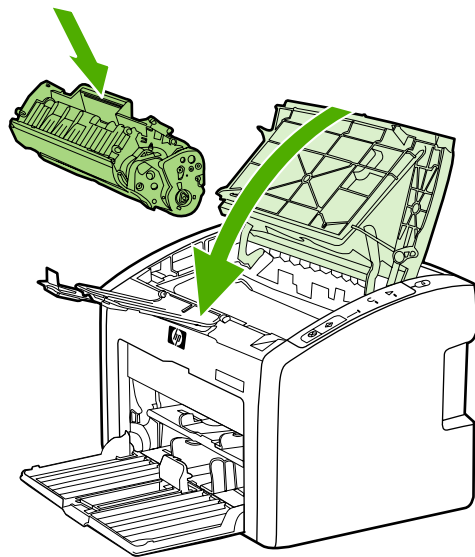
4. Saisissez la cartouche par les deux côtés et secouez-la délicatement cinq fois de l'avant vers l'arrière. Cette action distribue le toner.



5. Retirez la bande adhésive de scellage interne en brisant l'onglet situé à l'extrémité de la cartouche et en tirant entièrement la bande.



6. Introduisez la cartouche d'impression et fermez le panneau d'accès.



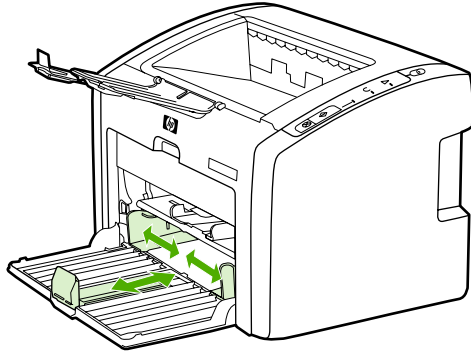
---

**Remarque**

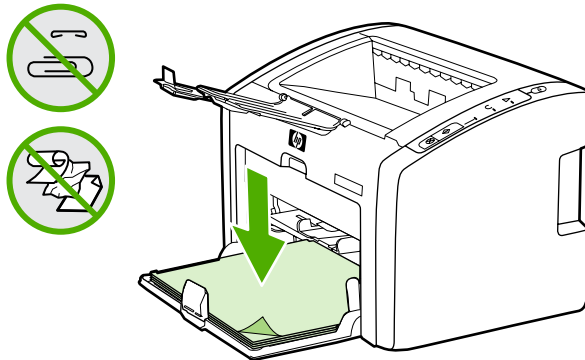
Pour ne pas risquer d'endommager la cartouche, ne l'exposez pas directement à la lumière.

## Chargement du bac d'entrée principal de 250 feuilles

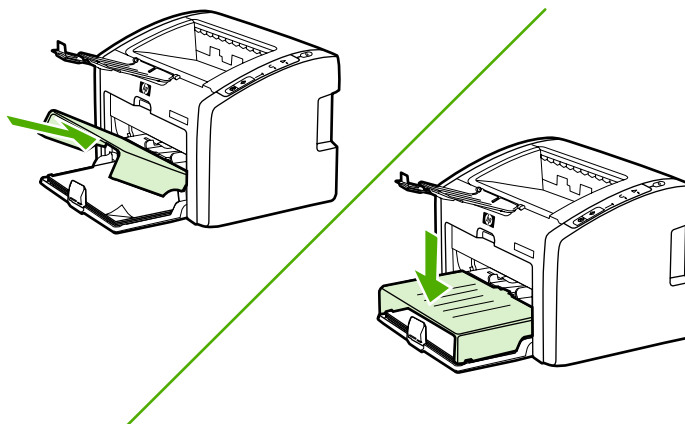
1. Ajustez les guides de support suivant les paramètres corrects de format du support.



2. Placez le papier sommet vers l'avant et face à imprimer vers le bas.



3. Intouduisez le couvercle du bac d'entrée.



## Sélection d'une méthode de connexion

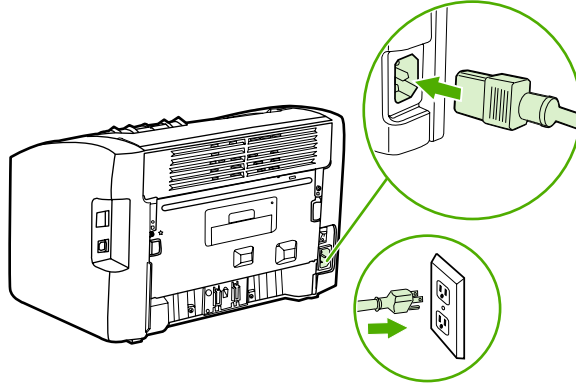
Sélectionnez une des méthodes suivantes pour connecter l'imprimante :

- **Réseau câblé** : Pour connecter l'imprimante à un réseau câblé, reportez-vous à la section [Connexion de l'imprimante à un réseau câblé](#)  
-ou-
- **Réseau sans fil** : Pour connecter l'imprimante à un réseau sans fil, reportez-vous à la section [Connexion de l'imprimante à un réseau uniquement sans fil](#)  
-ou-
- **USB** : Pour réaliser une connexion USB directe, reportez-vous à la section [Connexion directe via le port USB](#)

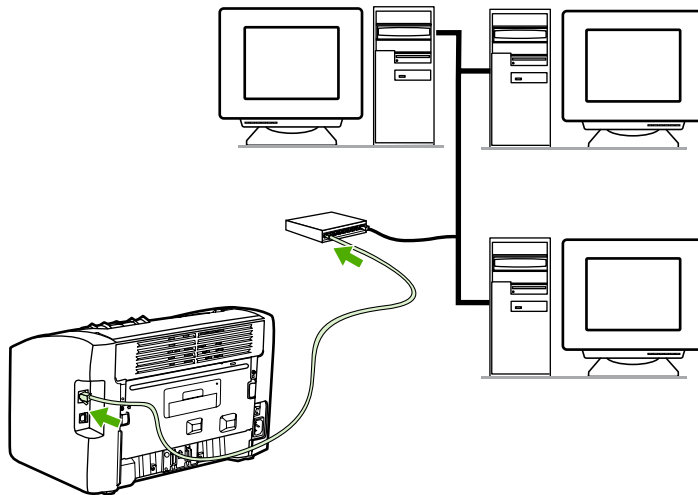


## Connexion de l'imprimante à un réseau câblé

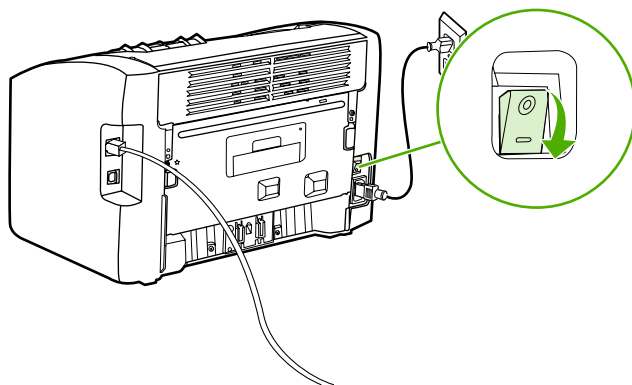
1. Branchez le cordon d'alimentation sur l'imprimante, puis sur une source de tension.



2. Connectez le câble réseau entre le concentrateur réseau et le port réseau sur l'imprimante.



3. Mettez l'imprimante sous tension.



---

**Remarque**

---

Pour obtenir des informations supplémentaires sur les paramètres de configuration réseau, imprimez une page de configuration. Une fois l'imprimante à l'état **Prêt**, appuyez sur le bouton **EXÉCUTER** et maintenez-le enfoncé jusqu'à ce que le voyant Prêt commence à clignoter.

4. Introduisez le CD du logiciel dans le lecteur de CD-ROM de l'ordinateur. Suivez les instructions d'installation qui s'affichent à l'écran.



## Connexion de l'imprimante à un réseau uniquement sans fil

Cette section contient des informations sur la connexion de l'imprimante à un réseau uniquement sans fil. Pour plus d'informations sur la mise en réseau sans fil, reportez-vous au *Guide d'utilisation de l'imprimante sans fil HP LaserJet 1022nw*.

---

### Remarque

L'imprimante ne peut pas être connectée simultanément à un réseau sans fil et à un réseau câblé. Par exemple, si l'imprimante est reliée à un réseau câblé, vous ne pouvez pas la connecter à un réseau sans fil.

---

### Remarque

Il est fortement recommandé de mettre en œuvre un modèle de sécurité sans fil (WEP [Wired Equivalent Privacy] ou WPA [Wi-Fi protected access]) avant de procéder à l'installation. En outre, utilisez un logiciel antivirus pour protéger les ordinateurs des attaques virales et suivez des règles de sécurité élémentaires. D'autres composants réseau, y compris des pare-feux, des systèmes de détection d'intrusion et des réseaux segmentés, peuvent également être envisagés dans la conception du réseau.

## Composants et informations de mise en réseau

L'installation de l'imprimante sur un réseau sans fil requiert des composants et informations de mise en réseau.

### Informations de mise en réseau

Obtenez les informations suivantes auprès de l'administrateur du système ou de la personne qui a installé le réseau :

- Nom du réseau (SSID) : le SSID identifie un réseau sans fil spécifique. Afin de fonctionner sur un réseau, tout périphérique se connectant doit connaître le nom du réseau.
- Mode de communication du réseau : infrastructure ou ad hoc.

Dans le mode infrastructure, l'imprimante communique avec les ordinateurs du réseau via un point d'accès sans fil (WAP) ou une borne d'accès. Le point d'accès agit comme une passerelle ou un concentrateur central qui relie des périphériques sans fil et, facultativement, câblés.

En mode ad hoc, parfois appelé mode homologue, l'imprimante communique directement avec l'ordinateur plutôt que par un point d'accès ou une borne d'accès. Chaque périphérique sur un réseau ad hoc doit être doté d'une carte réseau sans fil.

---

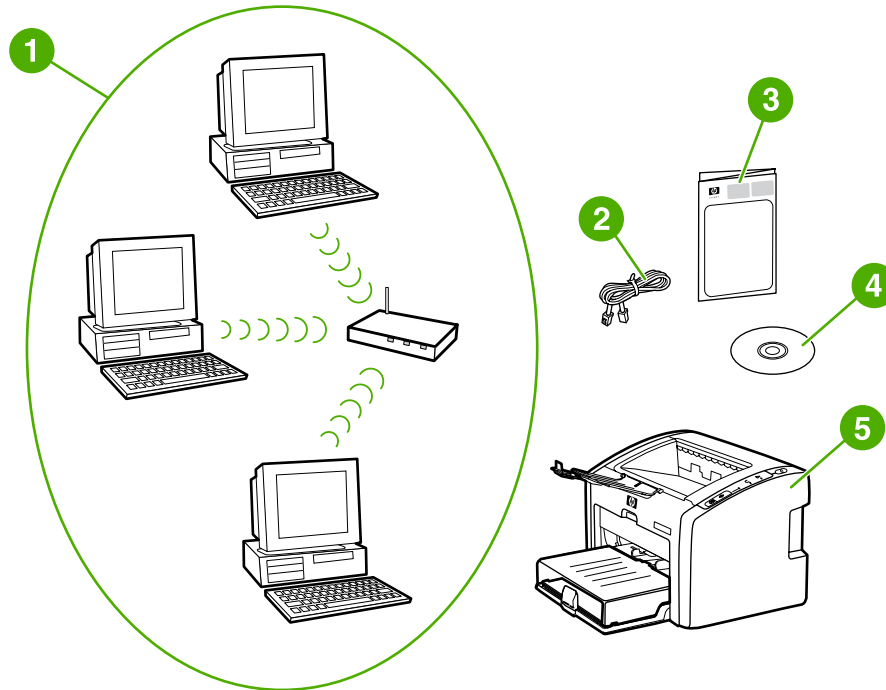
### Remarque

Pour obtenir des performances optimales, HP recommande de connecter l'imprimante à un réseau qui communique via le mode infrastructure.

- Paramètres de sécurité du réseau (si utilisée) : WEP et clé WEP utilisée, méthode d'authentification (système ouvert, clé partagée ou clé pré-partagée [PSK]) et chiffrement (aucun, WEP ou WPA).

## Composants réseau pour une installation d'infrastructure Windows

Le schéma suivant présente l'imprimante et les composants logiciels et matériels requis pour une installation sans fil :



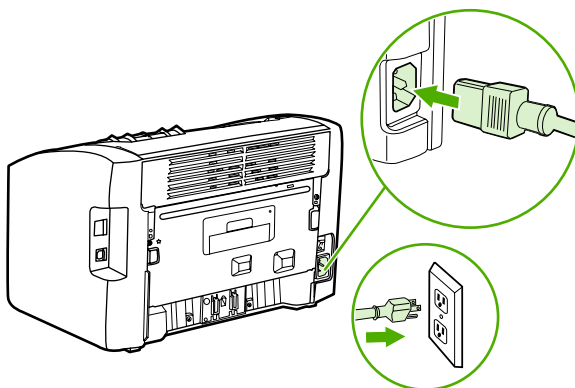
- 1 Réseau sans fil fonctionnel
- 2 Câble réseau (fourni avec l'imprimante)
- 3 *Guide de démarrage de l'imprimante sans fil HP LaserJet 1022nw* (ce document)
- 4 CD-ROM contenant le logiciel d'installation et le *Guide d'utilisation de l'imprimante sans fil HP LaserJet 1022nw*
- 5 Imprimante HP LaserJet 1022nw

## Procédure d'installation sur un réseau à infrastructure Windows

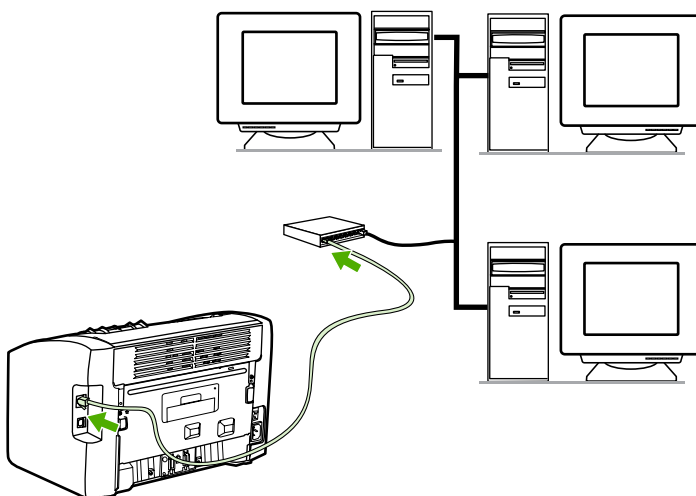
### Remarque

Si vous rencontrez des problèmes durant la procédure d'installation sans fil, reportez-vous à la section *Résolution de problèmes* du *Guide d'utilisation de l'imprimante sans fil HP LaserJet 1022nw*.

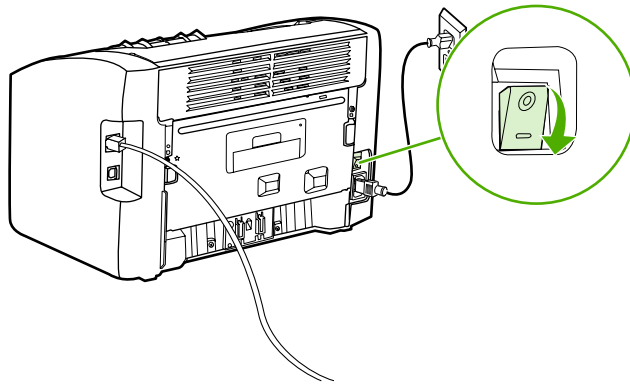
1. Branchez le cordon d'alimentation sur l'imprimante, puis sur une source de tension.



2. Connectez le câble entre le concentrateur/routeur réseau et le port réseau de l'imprimante. Cette connexion par câble est temporaire. A la fin de la procédure d'installation, vous déconnecterez le câble. L'imprimante fonctionnera alors sans fil. (Utilisez le câble livré avec l'imprimante.)



3. Mettez l'imprimante sous tension.



Le voyant vert sur le port réseau s'allume.

4. Imprimez une page de configuration pour obtenir des informations supplémentaires sur les paramètres de configuration du réseau, telle que l'adresse IP. Une fois l'imprimante à l'état **Prêt**, appuyez sur le bouton **Exécuter** et maintenez-le enfoncé jusqu'à ce que le voyant Prêt commence à clignoter.

---

#### Remarque

Si l'adresse IP sur la page de configuration est 0.0.0.0, patientez quelques minutes, puis imprimez à nouveau la page de configuration. Poursuivez cette procédure jusqu'à ce que l'adresse IP ne soit pas 0.0.0.0. L'imprimante sera dotée d'une adresse IP basée sur votre configuration réseau personnelle. Par exemple, l'adresse IP peut avoir la forme 192.168.x.y, où x et y peuvent être tout nombre compris entre 0 et 255.

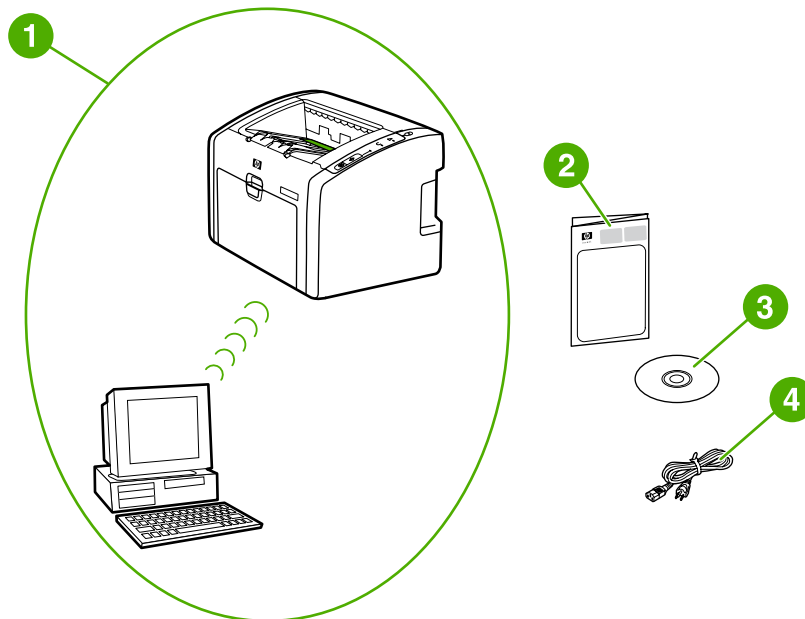
5. Introduisez le CD dans le lecteur d'un ordinateur relié au réseau. Suivez les invites d'installation qui s'affichent à l'écran. Dans la boîte de dialogue **Modèle**, sélectionnez l'imprimante **HP LaserJet 1022nw**. Dans la boîte de dialogue **Connexion de l'imprimante**, sélectionnez l'option **Connectée sans fil**.



6. Une fois l'installation terminée, assurez-vous que le câble réseau est déconnecté.

## Composants réseau pour une installation réseau ad hoc (homologue) Windows

L'exécution d'une installation ad hoc requiert les composants ci-dessous :



- 1 Fonctionnement d'un réseau sans fil ad hoc
- 2 *Guide de démarrage de l'imprimante sans fil HP LaserJet 1022nw* (ce document)
- 3 CD-ROM contenant le logiciel d'installation et le *Guide d'utilisation de l'imprimante sans fil HP LaserJet 1022nw*
- 4 Cordon d'alimentation

## Procédure d'installation réseau ad hoc (homologue) Windows

Veuillez lire intégralement la procédure avant de démarrer une installation réseau sans fil ad hoc. Pour obtenir des résultats optimaux, suivez les instructions dans l'ordre affiché.

### Remarque

HP recommande vivement de disposer d'un réseau ad hoc existant ou d'en configurer un avant de commencer cette méthode d'installation.

1. Préparation de l'imprimante
  - a. Fermez toutes les applications sur l'ordinateur.
  - b. Branchez l'imprimante sur une source d'alimentation et mettez-la sous tension.
  - c. Patientez quelques minutes, puis imprimez une page de configuration. Une fois l'imprimante à l'état **Prêt**, appuyez sur le bouton **Exécuter** et maintenez-le enfoncé jusqu'à ce que le voyant Prêt commence à clignoter.
  - d. Si l'adresse IP sur la page de configuration est 0.0.0.0, patientez quelques minutes, puis répétez l'étape précédente. Poursuivez cette procédure jusqu'à ce que l'adresse IP ne soit pas 0.0.0.0. L'imprimante sera dotée d'une adresse IP basée sur votre configuration réseau personnelle. Par exemple, l'adresse IP peut avoir la forme 192.168.x.y, où x et y peuvent être tout nombre compris entre 0 et 255.

- e. Sur la page de configuration, vérifiez la présence d'un nom réseau (SSID), tel que **hpsetup**.
2. Préparation de l'ordinateur
    - a. Débranchez tout câble réseau connecté à l'ordinateur. Ceci désactive tout réseau câblé. Seul le réseau sans fil doit être actif durant l'installation. Pour vérifier que le réseau câblé est désactivé, cliquez sur **Démarrer, Panneau de configuration, Connexions réseau**. (Les câbles débranchés doivent être reconnectés une fois l'installation terminée.)
    - b. Dans les propriétés de configuration de la carte réseau sans fil de l'ordinateur, vérifiez que le réseau **hpsetup** est disponible, puis connectez-vous à celui-ci. (Par exemple, sous Windows XP, pour vous connecter au réseau sans fil **hpsetup**, cliquez sur **Démarrer, Panneau de configuration, Connexions réseau**, puis **Connexion réseau sans fil**. Cliquez ensuite sur **Propriétés** et sélectionnez l'onglet **Réseaux sans fil**. Dans la section **Réseaux disponibles**, sélectionnez **hpsetup**, puis cliquez sur **Configurer**. Cliquez sur **OK**. Le nom du réseau, **hpsetup**, doit maintenant être disponible dans la section **Réseaux préférés**. Cliquez sur **Actualiser** si le réseau **hpsetup** ne figure pas dans la liste.) Si vous utilisez un adaptateur ou une carte sans fil, employez l'utilitaire livré avec ce composant pour ajouter **hpsetup** aux options de réseau. Le nom du réseau, **hpsetup**, doit uniquement être utilisé pour configurer l'imprimante.
    - c. Assurez-vous que l'ordinateur possède une adresse IP automatique avant de démarrer l'installation du logiciel. L'acquisition d'une adresse IP automatique par l'ordinateur peut prendre quelques instants. (Par exemple, sous Windows XP, pour vérifier si l'ordinateur possède une adresse IP automatique, cliquez sur **Démarrer**, sur **Programmes**, puis sur **Connecter à** ou cliquez sur **Démarrer**, sur **Connecter à**, puis sur **Afficher toutes les connexions**. Sélectionnez ensuite **Connexion réseau sans fil**. Dans la section **Détails**, vérifiez que l'adresse IP est similaire à 192.168.x.y, où x et y peuvent être tout nombre compris entre 0 et 255. Vérifiez également que le nom du réseau homologue est **hpsetup**.) Si l'ordinateur n'a pas encore acquis une adresse IP automatique valide, patientez quelques minutes. La section **Détails** de la zone **Connexions réseau** change pour afficher la nouvelle adresse IP une fois celle-ci valide. Vous êtes maintenant prêt à démarrer l'installation du logiciel.
  3. Installation du logiciel
    - a. Introduisez le CD du logiciel dans le lecteur de CD-ROM de l'ordinateur. Démarrez l'installation du logiciel, puis suivez les instructions affichées à l'écran.
    - b. Si une ou plusieurs imprimantes sont détectées et affichées sur la page **Imprimantes trouvées**, sélectionnez celle qui a la même adresse IP que celle que vous installez, puis cliquez sur **Suivant**.
    - c. HP recommande vivement de sélectionner **Modifier les paramètres** sur la page **Confirmation des paramètres** afin de configurer le réseau du périphérique pour refléter les paramètres du réseau ad hoc existant sur l'ordinateur. Si vous ne disposez pas d'un réseau ad hoc existant, acceptez les paramètres par défaut.
    - d. Acceptez les paramètres sur la page **Confirmation des paramètres**.
    - e. Poursuivez l'installation jusqu'à la fin du processus.
    - f. Une fois l'installation du logiciel terminée et l'ordinateur redémarré, reconnectez tous les câbles réseau que vous pouvez avoir débranchés durant l'installation.



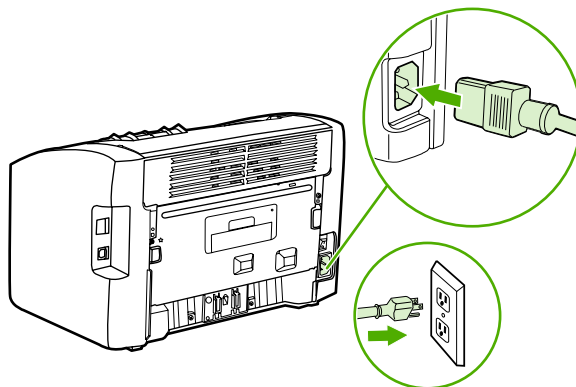
## Connexion à un réseau sans fil (Macintosh)

Suivez la procédure ci-dessous pour configurer un réseau sans fil sur un Macintosh.

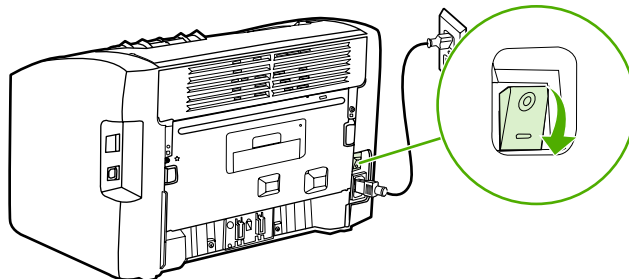
### Remarque

L'imprimante doit d'abord être configurée en mode ad hoc (homologue) avant de pouvoir la relier à un mode infrastructure (réseau).

1. Configuration du Macintosh
  - a. Démarrez le Macintosh sous OS X 10.2 ou version ultérieure (prise en charge non disponible sous v10.1).
  - b. Branchez le cordon d'alimentation sur l'imprimante, puis sur une prise de courant.



- c. Mettez l'imprimante sous tension.



- d. Imprimez une page de configuration pour obtenir des informations relatives aux paramètres de configuration réseau. Une fois l'imprimante à l'état **Prêt**, appuyez sur le bouton **Exécuter** et maintenez-le enfoncé jusqu'à ce que le voyant Prêt commence à clignoter.
    - e. Sur le Macintosh, ouvrez les **Préférences Système**, puis cliquez sur l'icône **Réseau**.
    - f. A partir du sélecteur **Emplacement**, choisissez **Nouvelle configuration**.
    - g. Entrez un nom pour le nouveau emplacement, tel que `Installation HP`, puis cliquez sur **OK**.
    - h. Sélectionnez **Afficher**, puis **Configurations de port réseau**. Assurez-vous que les options **Modem interne** et **Carte Ethernet intégrée** ne sont pas sélectionnées.
    - i. Définissez **Afficher** : sur **AirPort**.
    - j. Cliquez sur **Se connecter à un réseau particulier**.
    - k. Sélectionnez **hpsetup** dans le menu déroulant.

- l. Cliquez sur l'onglet **TCP/IP**, puis sélectionnez **Manuellement** dans le menu déroulant **Configurer**.
- m. Recherchez l'adresse IP actuelle sur la page de configuration. Configurez l'adresse IP du Macintosh sur une adresse IP qui correspond au numéro sur la page de configuration, à l'exception du dernier chiffre. Modifiez le dernier chiffre sur celui au-dessus du numéro indiqué sur la page de configuration. Par exemple, si l'adresse IP du réseau HP est 192.0.0.192, utilisez 192.0.0.193, sous-réseau 255.255.255.0, et routeur 192.0.0.193 (ou laissez l'adresse du routeur vierge) en tant qu'adresse IP actuelle du Macintosh.
- n. Cliquez sur **Appliquer maintenant**.

---

### Remarque

---

L'indicateur du signal dans l'angle supérieur droit de l'écran de l'ordinateur passe en *mode ad hoc*.

- 2. Configuration de l'imprimante pour le mode infrastructure
  - a. Ouvrez un navigateur Web (par exemple, Safari, Internet Explorer [IE] ou Netscape).
  - b. Sur la ligne d'adresse du navigateur Web, entrez l'adresse IP trouvée sur la page de configuration afin d'ouvrir le serveur Web intégré.
  - c. Cliquez sur l'onglet **Networking** (Réseau).
  - d. Cliquez sur l'option **Wireless** (Sans fil) sur le côté gauche.
  - e. Dans la section **Communications Mode**, sélectionnez **Infrastructure** comme mode de communications.
  - f. Sélectionnez le nom du réseau dans le menu déroulant Network Name (SSID), ou entrez le nom du réseau SSID. Le nom respecte la casse.
  - g. Sous la section **Authentication**, sélectionnez le type d'**authentification** approprié : Open System (Système ouvert), Shared Key (Clé partagée) ou WPA\_PSK.

---

### Remarque

---

Si vous sélectionnez **Shared Key** ou **WPA\_SPK**, vous devez entrer le mot de passe du réseau.

- h. Sous la section **IP Address Configuration** (Configuration d'adresse IP), sélectionnez **Automatic IP** (IP automatique) (si le point d'accès peut émettre une adresse IP) ou **Manual IP** (IP manuelle) (pour donner une adresse IP statique, renseignez l'adresse IP, le masque de sous-réseau et la passerelle par défaut).
- i. Cliquez sur **Apply** (Appliquer).
- j. Fermez le navigateur Web.
- k. Imprimez une page de configuration. Une fois l'imprimante à l'état **Prêt**, appuyez sur le bouton **EXÉCUTER** et maintenez-le enfoncé jusqu'à ce que le voyant Prêt commence à clignoter.
- l. Vérifiez si l'adresse IP est correcte. Si c'est le cas, passez à l'étape o. Si l'adresse IP est incorrecte, passez à l'étape m. Si le réseau est chiffré, vérifiez le mot de passe.
- m. Revenez à l'onglet **Préférences Système**, puis cliquez sur l'icône **Réseau**.
- n. Restaurez le sélecteur **Emplacement** sur le paramètre d'origine (par exemple, **Automatic**).
- o. Définissez **Afficher** : sur **AirPort**.
- p. Cliquez sur l'onglet **Airport**.

- q. Cliquez sur **Se connecter à un réseau particulier** et choisissez le nom de votre réseau.
- r. Cliquez sur **Appliquer**.

L'imprimante est prête pour une utilisation sans fil.

---

**Remarque**

---

L'indicateur du signal dans l'angle supérieur droit de l'écran de l'ordinateur passe en *mode réseau*.

- 3. Configuration d'une file d'attente d'impression
  - a. Ouvrez le **Centre d'impression** ou l'outil **Printer Setup Utility**. (Cliquez sur l'icône du disque dur, sélectionnez **Applications**, cliquez sur **Utilitaires**, puis sur **Centre d'impression** ou **Printer Setup Utility**.)
  - b. Ajoutez l'imprimante via Rendezvous.

---

**Remarque**

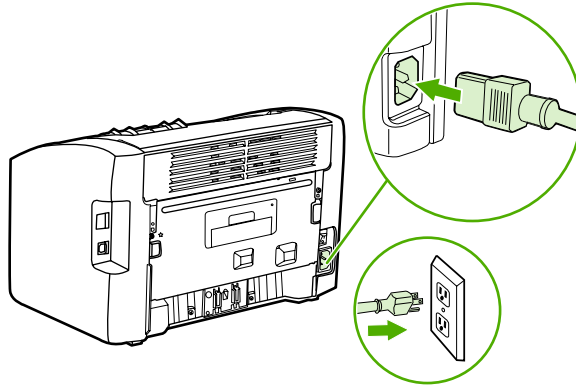
---

Vous pouvez ajouter une imprimante uniquement à l'aide de Rendezvous. Les protocoles AppleTalk et TCP/IP ne sont pas pris en charge.

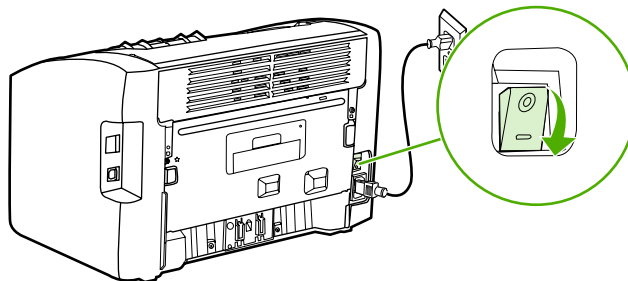
- c. Imprimez une page de test à l'aide de TextEdit pour vérifier le fonctionnement de l'imprimante. (Pour ouvrir l'application, cliquez sur l'icône du disque dur, sélectionnez **Applications**, puis cliquez sur **TextEdit**.)

## Connexion directe via le port USB

1. Branchez le cordon d'alimentation sur l'imprimante, puis sur une source de tension.



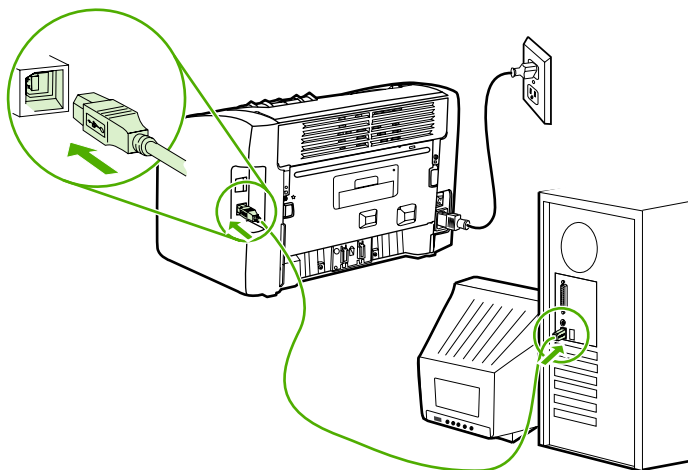
2. Mettez l'imprimante sous tension.



3. Introduisez le CD du logiciel dans le lecteur de CD-ROM de l'ordinateur. Suivez les instructions d'installation qui s'affichent à l'écran.



4. Lorsque vous y êtes invité, connectez le câble USB entre l'imprimante et l'ordinateur.





# Impresora HP LaserJet 1022nw sin cables

Español

## Guía de puesta en marcha

---

## **Derechos de copyright y licencia**

© 2005 Copyright Hewlett-Packard Development Company, L.P.

Prohibida la reproducción, adaptación o traducción sin autorización previa y por escrito, salvo lo permitido por las leyes de propiedad intelectual (copyright).

La información contenida en este documento está sujeta a cambios sin previo aviso.

Las únicas garantías de los productos y servicios HP se detallan en las declaraciones de garantía expresas que acompañan a dichos productos y servicios. Nada de lo que aquí se incluya debe considerarse como una garantía adicional. HP no será responsable de los errores u omisiones técnicos o editoriales aquí contenidos.

Número de parte: Q5914-90901

Edition 1, 2/2005

## **Normas FCC**

Este equipo ha sido probado y cumple todas las limitaciones de los dispositivos de Clase B, de acuerdo con el apartado 15 de la normativa de la FCC. Estos límites están diseñados para proporcionar una protección razonable contra interferencias cuando se utiliza el equipo en una instalación residencial. Este equipo genera, emplea y puede irradiar energía de frecuencia de radio. Si este equipo no se instala y utiliza de acuerdo con las instrucciones, puede provocar interferencias en las comunicaciones por radio. En cualquier caso, no hay garantía alguna de que no se puedan producir interferencias en una instalación específica. Si este equipo ocasiona interferencias dañinas para la recepción de radio o televisión, lo que puede determinarse apagando y volviendo a encender el equipo, se recomienda al usuario que intente corregir las interferencias tomando una o más de las siguientes medidas:

reoriente o reubique la antena receptora;

aumente la separación entre el equipo y el receptor;

conecte el equipo a una toma de corriente que esté en un circuito distinto al circuito en el que esté ubicado el receptor;

consulte con su distribuidor o con un técnico experto en radio y televisión.

Cualquier cambio o modificación en la impresora que no esté expresamente aprobado por HP podrá anular la autoridad del usuario para utilizar este equipo.

El uso de un cable de interfaz blindado es un requisito imprescindible para la conformidad con los límites establecidos para los dispositivos de Clase B en el Apartado 15 de las normas de la FCC.

Este dispositivo cumple con la Parte 15 de las normas de la FCC. Su utilización está sujeta a las dos condiciones siguientes:

(1) el dispositivo no puede causar interferencias perjudiciales y (2) debe tolerar las interferencias que reciba, incluidas las que puedan ocasionar un funcionamiento no deseado.

## **Avisos de marcas comerciales**

Microsoft®, Windows® y Windows NT® son marcas registradas en los EE.UU. de Microsoft Corporation.



# Tabla de contenido

## 1 Introducción

Generalidades sobre el dispositivo .....	2
Preparación de la ubicación .....	3
Contenido del paquete .....	4
Ubicación de las partes del dispositivo .....	5

## 2 Instalación de la impresora

Retirada de la cinta .....	8
Preparación del cartucho de impresión .....	9
Carga de la bandeja de entrada principal de 250 hojas .....	11
Selección de un método de conexión .....	12
Conexión de la impresora a una red por cable .....	13
Conexión de la impresora únicamente a una red inalámbrica .....	15
Componentes e información de red .....	15
Componentes de red para la instalación de una infraestructura de Windows .....	16
Procedimiento para la instalación de una red de infraestructura de Windows .....	17
Componentes de red para la instalación ad hoc (de igual a igual) de una red de Windows .....	19
Procedimiento para la instalación de una red ad hoc (de igual a igual) de Windows .....	19
Conexión a una red inalámbrica (Macintosh) .....	21
Conexión directa mediante el puerto USB .....	24



# 1

## Introducción

Este capítulo recoge las siguientes secciones:

- [Generalidades sobre el dispositivo](#)
- [Preparación de la ubicación](#)
- [Contenido del paquete](#)
- [Ubicación de las partes del dispositivo](#)

## Generalidades sobre el dispositivo

---

### Nota

---

La impresora HP LaserJet 1022nw forma parte de la familia de impresoras HP LaserJet 1022. Para obtener información sobre el uso de las impresoras pertenecientes a esta serie, consulte la *Guía del usuario de la impresora HP LaserJet 1022* que contiene el CD-ROM.

La impresora HP LaserJet 1022nw contiene todas las funciones de la impresora HP LaserJet 1022. Además, la impresora HP LaserJet 1022nw incluye conectividad sin cables integrada 802.11b/g y un puerto de red interno.

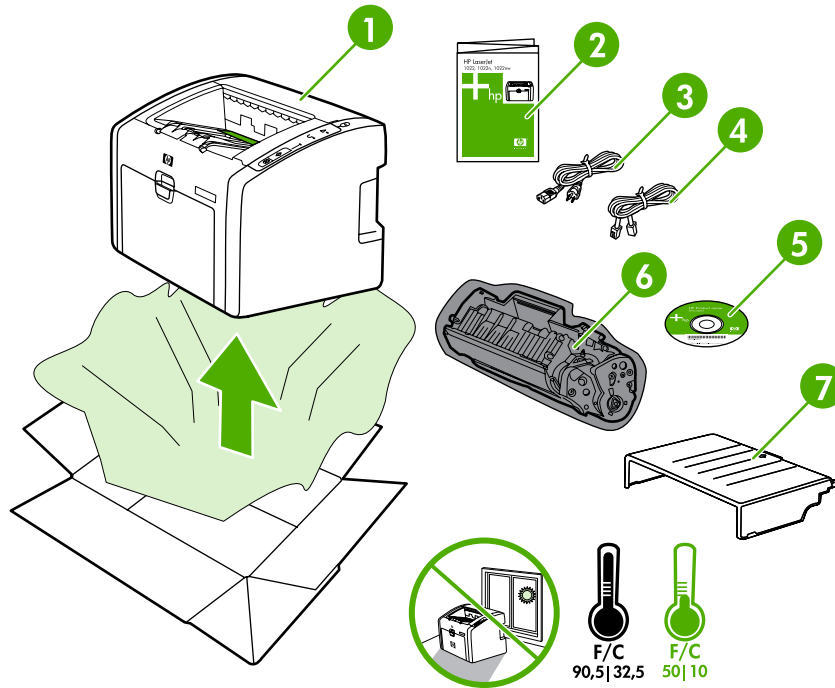
## Preparación de la ubicación

Coloque la impresora en una superficie plana y resistente y en una zona con buena ventilación. Asegúrese asimismo de que haya espacio suficiente alrededor de la impresora para que el aire corra por los conductos de ventilación.

No coloque el aparato en una zona expuesta a la luz directa o donde se someta a cambios de temperatura y humedad acusados. El nivel de temperatura recomendado está entre 10° C y 32,5° C.

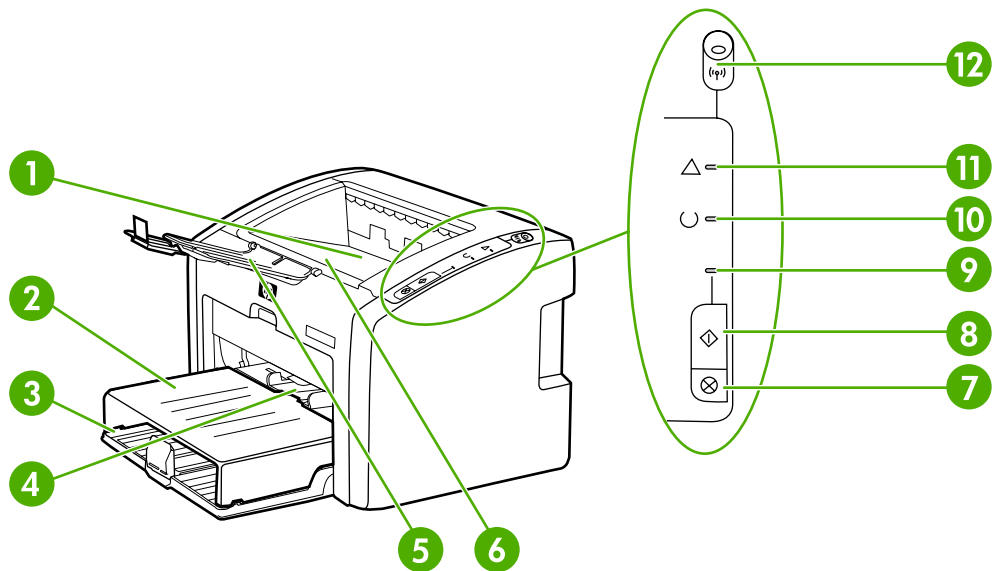
## Contenido del paquete

En el paquete de la impresora encontrará el hardware, el software y la documentación siguientes.

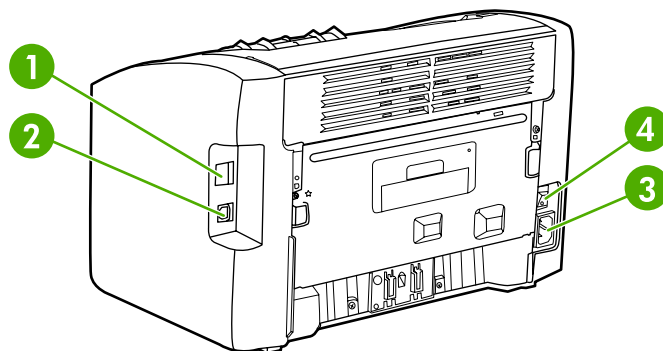


- 1 Impresora HP LaserJet 1022nw
- 2 Documentación (este manual)
- 3 Cable de alimentación
- 4 Cable de red
- 5 CD-ROM con el software de instalación y la *Guía del usuario de la impresora HP LaserJet 1022nw sin cables*
- 6 Cartucho de impresión
- 7 Cubierta de la bandeja de entrada

## Ubicación de las partes del dispositivo



- 1 Bandeja de salida
- 2 Cubierta de la bandeja de entrada
- 3 Bandeja de entrada principal de 250 hojas
- 4 Ranura de alimentación prioritaria
- 5 Almacenamiento de material impreso
- 6 Puerta del cartucho de impresión
- 7 Botón CANCELAR
- 8 Botón CONTINUAR
- 9 Luz Continuar
- 10 Luz Preparada
- 11 Luz Atención
- 12 Luz Sin cables



- 1 Puerto de red interno
- 2 Puerto USB
- 3 Receptáculo de alimentación
- 4 Interruptor de encendido y apagado





# 2

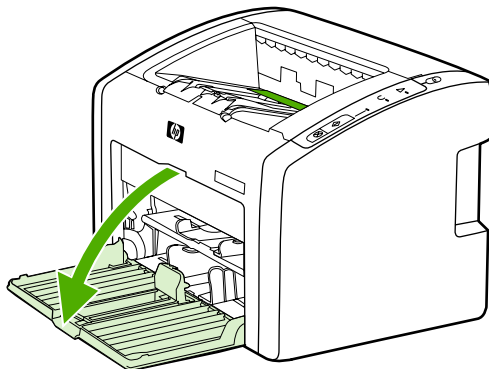
## Instalación de la impresora

Este capítulo recoge las siguientes secciones:

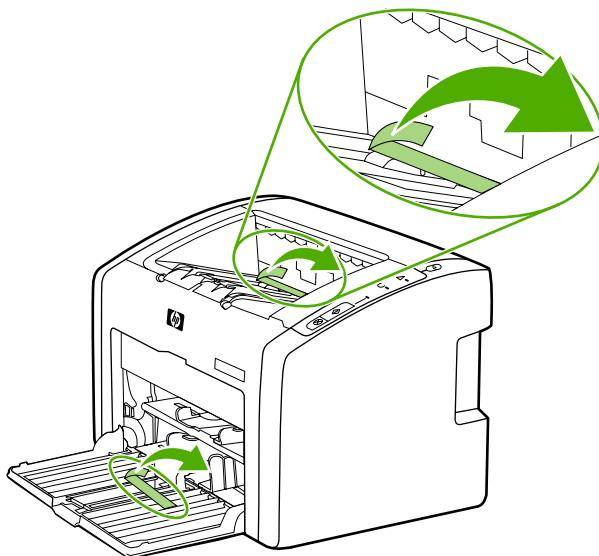
- [Retirada de la cinta](#)
- [Preparación del cartucho de impresión](#)
- [Carga de la bandeja de entrada principal de 250 hojas](#)
- [Selección de un método de conexión](#)
- [Conexión de la impresora a una red por cable](#)
- [Conexión de la impresora únicamente a una red inalámbrica](#)
- [Conexión directa mediante el puerto USB](#)

## Retirada de la cinta

1. Abra la bandeja de entrada principal.

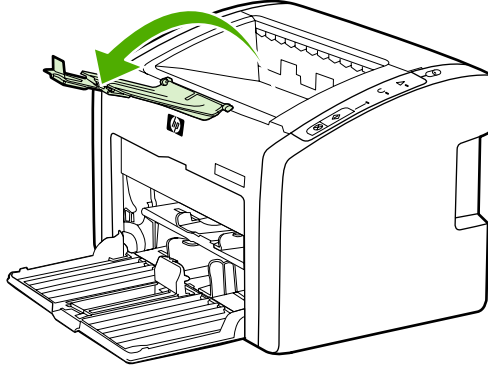


2. Extraiga la cinta naranja de la impresora.

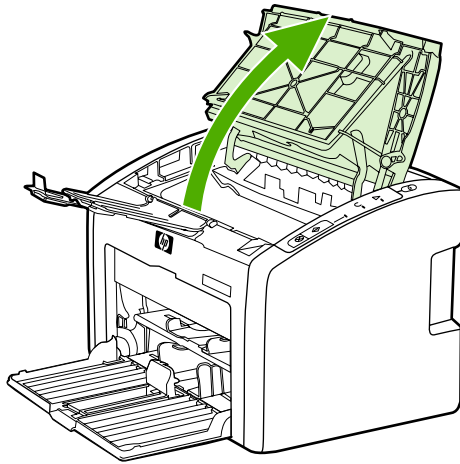


## Preparación del cartucho de impresión

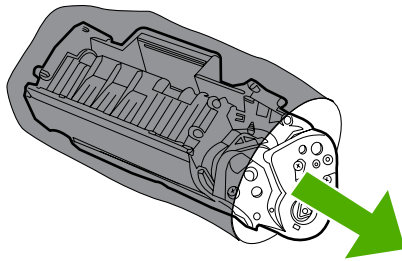
1. Abra la bandeja de almacenamiento de material impreso.



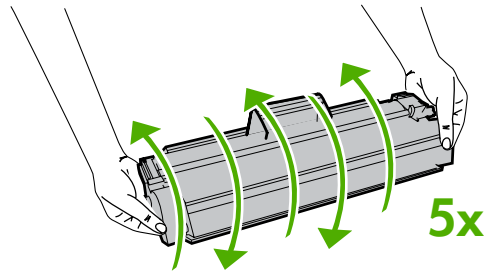
2. Abra la cubierta del cartucho de impresión.



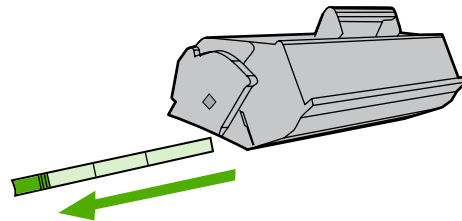
3. Extraiga el cartucho de impresión del envoltorio.



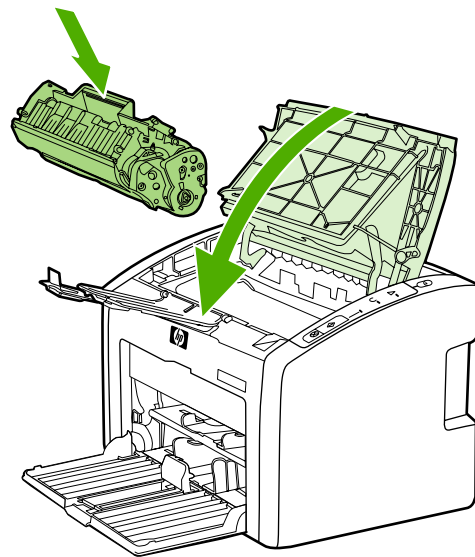
4. Sujete el cartucho por los dos lados y agítelo con cuidado hacia delante y hacia atrás cinco veces. De este modo, el tóner se distribuye.



5. Extraiga el precinto interno rompiendo la lengüeta al final del cartucho y empujando la cinta completamente hacia afuera.



6. Inserte el cartucho de impresión y cierre la puerta del cartucho de impresión.



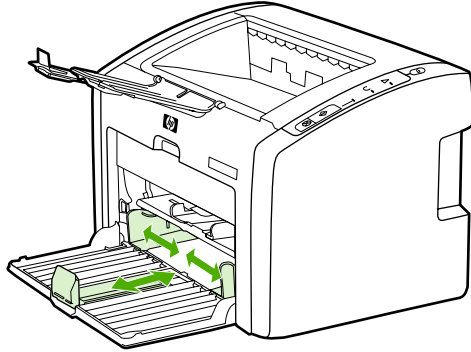
---

**Nota**

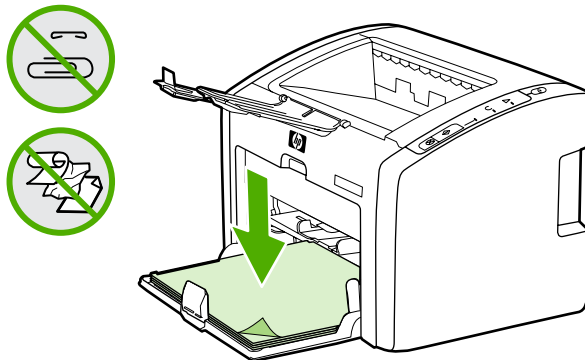
Para evitar dañar el cartucho de impresión, reduzca su exposición a la luz directa.

## Carga de la bandeja de entrada principal de 250 hojas

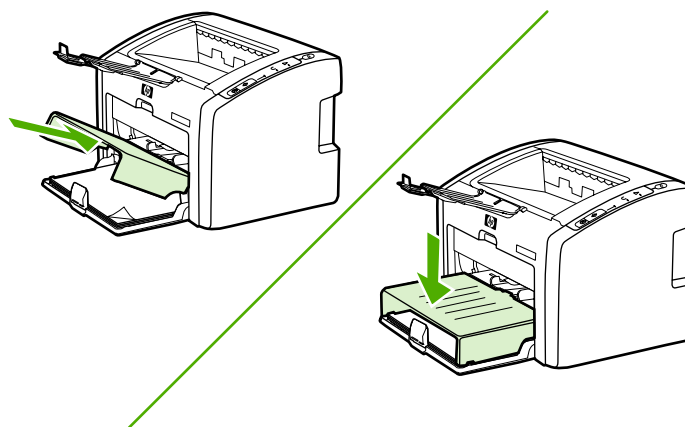
1. Ajuste las guías de soporte de impresión hasta situarlas en la configuración de tamaño de soporte adecuada.



2. Inserte el papel con la parte superior hacia delante y la cara que se debe imprimir hacia abajo.



3. Inserte la cubierta de la bandeja de entrada.



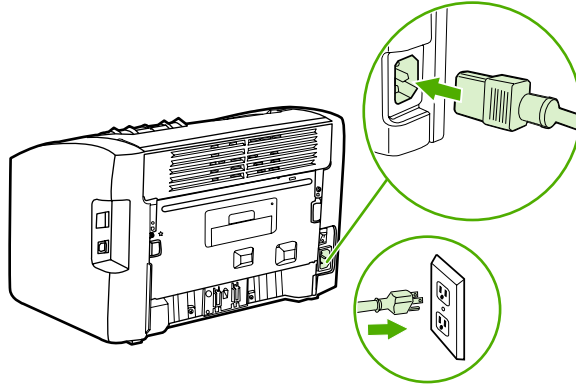
## Selección de un método de conexión

Seleccione uno de los siguientes métodos para conectar la impresora:

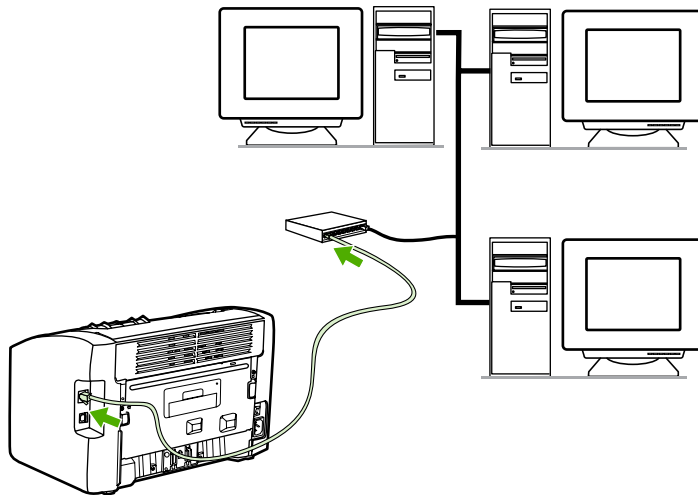
- **Red por cable:** para realizar una conexión a una red por cable, consulte [Conexión de la impresora a una red por cable](#)  
-o bien-
- **Red inalámbrica:** para realizar una conexión a una red inalámbrica, consulte [Conexión de la impresora únicamente a una red inalámbrica](#)  
-o bien-
- **USB:** para realizar una conexión directa por USB, consulte [Conexión directa mediante el puerto USB](#)

## Conexión de la impresora a una red por cable

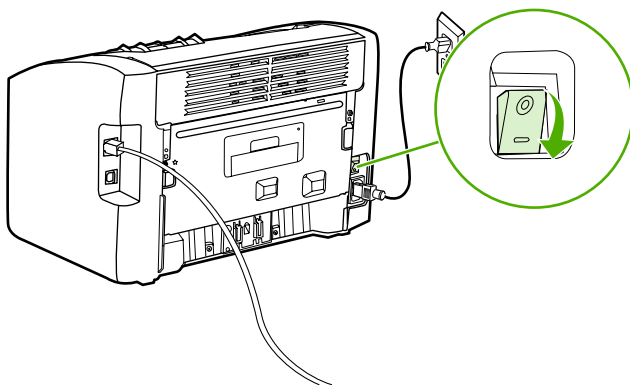
1. Conecte el cable de alimentación a la impresora y, a continuación, a una toma de corriente.



2. Conecte el cable de red entre el puerto de red en la impresora y el concentrador de red.



3. Encienda la impresora.



---

**Nota**

Para obtener información adicional acerca de los valores de configuración de la red, imprima una página de configuración. Cuando la impresora se encuentre en estado **Preparada**, mantenga presionado el botón **CONTINUAR** hasta que la luz Preparada comience a parpadear.

4. Inserte el CD del software en la unidad de CD-ROM del sistema. Siga las instrucciones de instalación en pantalla.





## Conexión de la impresora únicamente a una red inalámbrica

Esta sección proporciona información sobre la conexión de la impresora únicamente a una red inalámbrica. Para obtener más información sobre las conexiones en red sin cables, consulte la *Guía del usuario de la impresora HP LaserJet 1022nw sin cables*.

---

### Nota

La impresora no puede conectarse a una red inalámbrica y a una por cable a la vez. Por ejemplo, si la impresora se ha configurado para una red con cable, no puede conectarla también a una red inalámbrica.

---

### Nota

Antes de proceder a la configuración, es muy recomendable implementar un esquema de seguridad inalámbrico, tanto si es mediante codificación WEP (Wired Equivalent Privacy) o mediante acceso protegido a Wi-Fi (WPA). Asimismo, utilice un programa antivirus que sirva de protección frente a los virus informáticos y siga las normas básicas de seguridad. Sería igualmente conveniente sopesar el uso de otros componentes de red (cortafuegos, sistemas de detección de intrusiones y redes segmentadas) como parte del diseño de la red.

## Componentes e información de red

La instalación de una impresora en una red inalámbrica exige conocer determinada información de red, así como sus componentes.

### Información de red

Obtenga la siguiente información del administrador del sistema o de la persona que haya instalado la red:

- El nombre de red de la red (SSID): el SSID identifica una red inalámbrica determinada. Para funcionar en una red, cualquiera de los dispositivos que se conecten deberán conocer este nombre de red.
- El modo de comunicación de la red: ya sea de infraestructura o ad hoc

En el modo de infraestructura, la impresora se comunica con los equipos en red a través de un punto de acceso inalámbrico (WAP) o de una estación base. El punto de acceso actúa como un concentrador o una pasarela central que permite la conexión entre dispositivos inalámbricos y, a veces, también entre dispositivos con cable.

En el caso del modo ad hoc (a veces denominado modo paritario), la impresora se comunica con el equipo directamente y no a través de un punto de acceso inalámbrico o una estación base. Cada uno de los dispositivos que formen parte de una red ad hoc habrán de tener un adaptador de red inalámbrico.

---

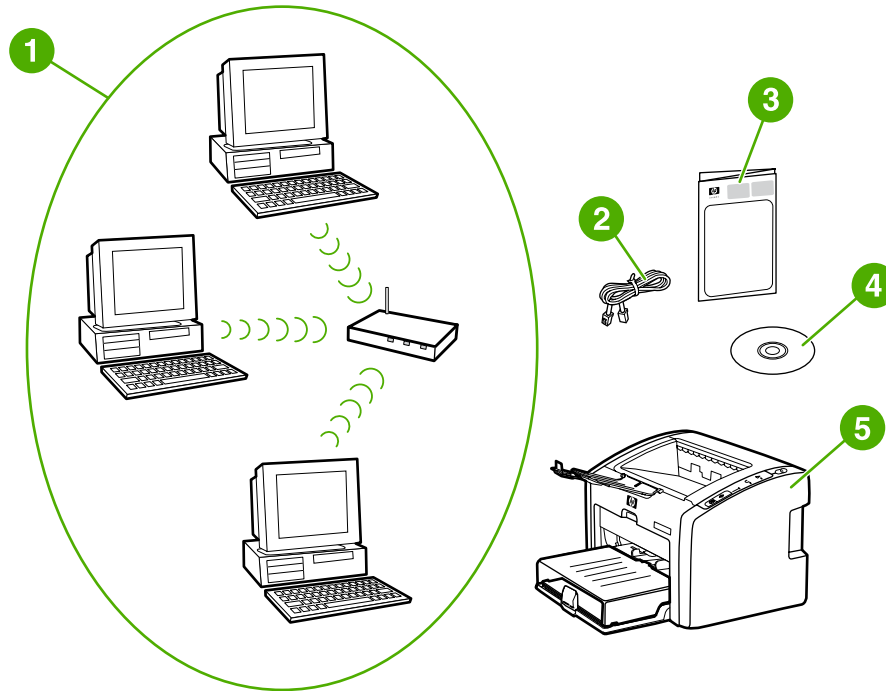
### Nota

Para obtener el mejor rendimiento, HP recomienda conectar la impresora a una red que se comunique mediante el modo de infraestructura.

- Los ajustes de seguridad de la red (de usarlos): WEP y la clave WEP empleada, el método de autenticación (abierto, clave compartida o clave previamente compartida) y la codificación (ninguna, WEP o WPA).

## Componentes de red para la instalación de una infraestructura de Windows

En el siguiente diagrama se muestran la impresora y los componentes de hardware y software necesarios para una instalación inalámbrica:



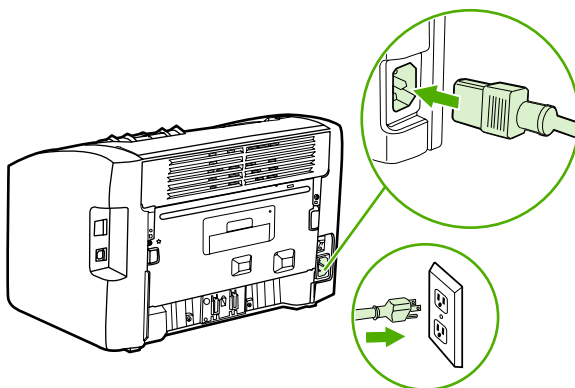
- 1 Red inalámbrica en funcionamiento
- 2 Cable de red (se proporciona con la impresora)
- 3 *Guía de inicio de la impresora HP LaserJet 1220nw sin cables* (este documento)
- 4 CD-ROM con el software de instalación y la *Guía del usuario de la impresora HP LaserJet 1022nw sin cables*
- 5 Impresora HP LaserJet 1022nw

## Procedimiento para la instalación de una red de infraestructura de Windows

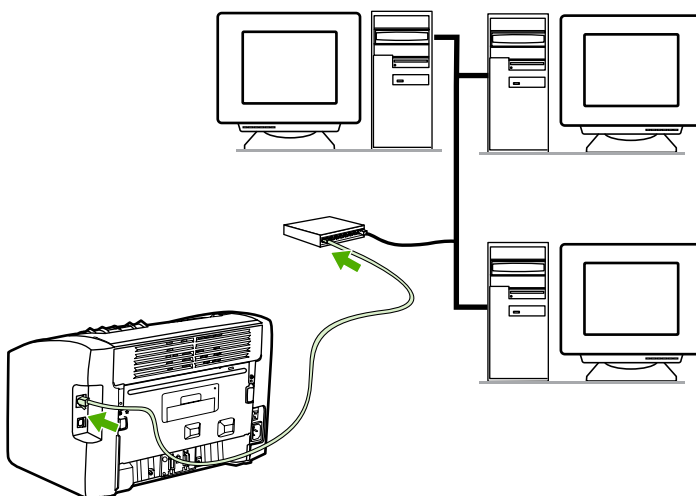
### Nota

Si surgen problemas en el proceso de instalación inalámbrica, consulte la sección *Solución de problemas* de la *Guía del usuario de la impresora HP LaserJet 1022nw sin cables*.

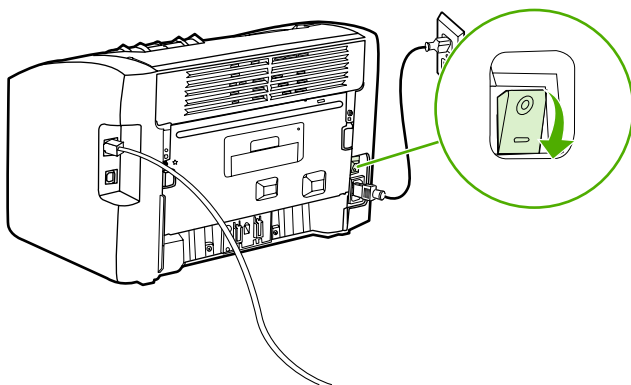
1. Conecte el cable de alimentación a la impresora y, a continuación, a una toma de corriente.



2. Conecte el cable desde el puerto de red de la impresora al concentrador/direccionador de red. Esta conexión por cable es temporal. Una vez finalizado el proceso de instalación, deberá desconectarlo. A partir de ese momento, la impresora funcionará sin cables. (Emplee el cable que se incluye con la impresora.)



3. Encienda la impresora.



La luz verde del puerto de red se ilumina.

4. Imprima una página de configuración para obtener información adicional acerca de los valores de configuración de la red, como la dirección IP. Cuando la impresora se encuentre en estado **Preparada**, mantenga presionado el botón **CONTINUAR** hasta que la luz Preparada comience a parpadear.

---

#### Nota

Si la dirección IP de la página de configuración es 0.0.0.0, espere unos minutos y, a continuación, vuelva a imprimir la página de configuración. Proceda de esta forma hasta que la dirección IP no sea 0.0.0.0. La impresora tendrá una dirección IP basada en la configuración de red personal. Por ejemplo, la dirección IP puede tener un aspecto parecido a 192.168.x.y, donde x e y pueden ser cualquier número comprendido entre 0 y 255.

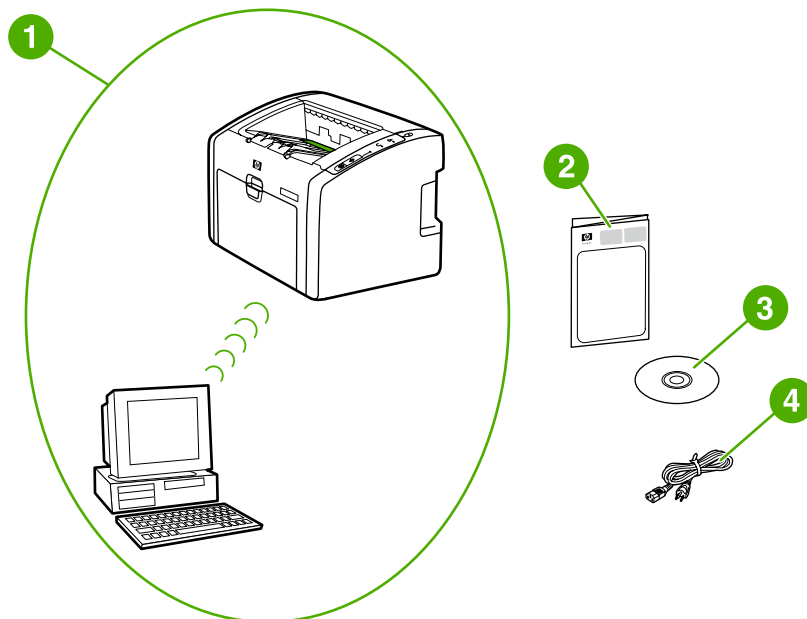
5. Inserte el CD en el equipo que se encuentre conectado a la red. Siga las indicaciones de instalación en pantalla. En el cuadro de diálogo **Modelo**, seleccione **HP LaserJet 1022nw**. En el cuadro de diálogo **Conexión de impresora**, seleccione la opción **Conexión sin cables**.



6. Una vez completada la instalación, asegúrese de que el cable de red está desconectado.

## Componentes de red para la instalación ad hoc (de igual a igual) de una red de Windows

Deberá disponer de los siguientes componentes para poder llevar a cabo una instalación ad hoc:



- 1 Red inalámbrica ad hoc en funcionamiento
- 2 *Guía de inicio de la impresora HP LaserJet 1220nw sin cables* (este documento)
- 3 CD-ROM con el software de instalación y la *Guía del usuario de la impresora HP LaserJet 1022nw sin cables*
- 4 Cable de alimentación

## Procedimiento para la instalación de una red ad hoc (de igual a igual) de Windows

Antes de empezar a instalar una red inalámbrica ad hoc, lea detenidamente el procedimiento completo. Del mismo modo, siga las instrucciones en el orden que se indica a fin de obtener los mejores resultados.

### Nota

HP recomienda que se tenga una red ad hoc ya existente, o bien que se configure una antes de iniciar este método de instalación.

1. Preparación de la impresora
  - a. Cierre todas las aplicaciones en el equipo.
  - b. Conecte la impresora a una toma de corriente y enciéndala.
  - c. Espere unos minutos y, a continuación, imprima una página de configuración. Cuando la impresora se encuentre en estado **Preparada**, mantenga presionado el botón **CONTINUAR** hasta que la luz Preparada comience a parpadear.

- d. Si la dirección IP de la página de configuración es 0.0.0.0, espere unos minutos y, a continuación, repita el paso anterior. Proceda de esta forma hasta que la dirección IP no sea 0.0.0.0. La impresora tendrá una dirección IP basada en la configuración de red personal. Por ejemplo, la dirección IP puede tener un aspecto parecido a 192.168.x.y, donde x e y pueden ser cualquier número comprendido entre 0 y 255.
  - e. En la página de configuración, confirme que existe un nombre de red (SSID), como **hpsetup**.
2. Preparación del equipo
    - a. Desconecte cualquier cable de red del equipo. Así, cualquier red por cable se desactivará. Durante la instalación sólo la red inalámbrica podrá estar activa. Para comprobar que la red por cable está desactivada, haga clic en **Inicio, Panel de control y Conexiones de red**. (Deberá volver a conectar estos cables cuando la instalación haya finalizado.)
    - b. En las propiedades de configuración de la tarjeta de red inalámbrica del equipo, compruebe que la red **hpsetup** está disponible y conéctela a ella. Por ejemplo, para conectarse a la red inalámbrica **hpsetup** en Windows XP, haga clic en **Inicio, Panel de control, Conexiones de red y Conexión de red inalámbrica**. A continuación, haga clic en **Propiedades** y seleccione la ficha **Redes inalámbricas**. En el cuadro **Redes disponibles**, seleccione **hpsetup** y haga clic en **Configurar**. Haga clic en **Aceptar**. De esta forma, ahora el nombre de red **hpsetup** debería estar disponible en la sección **Redes preferidas**. Haga clic en **Actualizar** en caso de que **hpsetup** no aparezca en la lista. Si usa una tarjeta inalámbrica o un adaptador inalámbrico, emplee la utilidad incluida en el paquete con la tarjeta o el adaptador en cuestión para agregar **hpsetup** a las opciones de red. El nombre de red **hpsetup** sólo ha de utilizarse para configurar la impresora.
    - c. Asegúrese de que el equipo tiene una dirección IP automática antes de comenzar con la instalación del software. Es posible que el equipo tarde un poco en conseguir la dirección IP automática. Por ejemplo, para comprobar que un equipo con Windows XP posee una dirección IP automática, haga clic **Inicio, Todos los programas, Conectar a** o bien en **Inicio, Conectar a y Mostrar todas las conexiones**. A continuación, seleccione **Conexión de red inalámbrica**. En la sección **Detalles**, compruebe que la dirección IP es parecida a 192.168.x.y, donde x e y pueden ser cualquier número comprendido entre 0 y 255. Compruebe también que el nombre de la red de igual a igual es **hpsetup**. En caso de que el equipo aún no haya obtenido una dirección IP automática válida, espere unos minutos. La sección **Detalles** del cuadro **Conexiones de red** cambiará para mostrar la dirección IP automática cuando ésta sea válida. Ahora ya tiene todo a punto para empezar la instalación de software.
  3. Instalación del software
    - a. Inserte el CD del software en la unidad de CD-ROM del sistema. Comience con la instalación del software y siga las instrucciones de instalación en pantalla.
    - b. En el caso de que aparezca más de una impresora en la página **Printers Found** (Impresoras encontradas), seleccione la impresora que tenga la misma dirección IP que la que esté instalando y, a continuación, haga clic en **Siguiente**.
    - c. HP recomienda que seleccione **Cambiar la configuración** en la página **Confirmar configuración** para configurar la red del dispositivo de manera que coincida con la configuración de la red ad hoc existente en el equipo. Si no posee ninguna red ad hoc existente, acepte la configuración predeterminada.

- d. Acepte igualmente la configuración en la página **Confirmar configuración**.
- e. Continúe con la instalación hasta que el proceso finalice.
- f. Una vez finalizada la instalación del software y reiniciado el equipo, vuelva a conectar todos los cables de red que haya desenchufado durante la instalación.

## Conexión a una red inalámbrica (Macintosh)

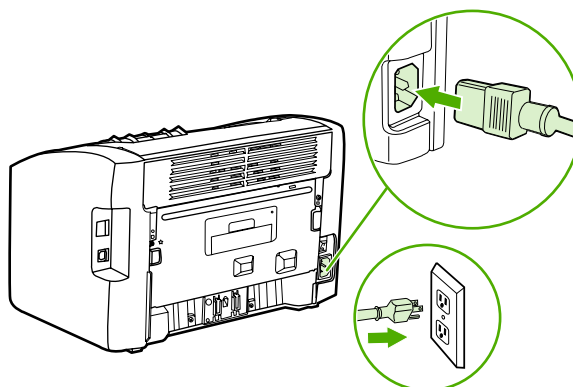
Lleve a cabo los siguientes pasos para configurar una red inalámbrica en un Macintosh.

### Nota

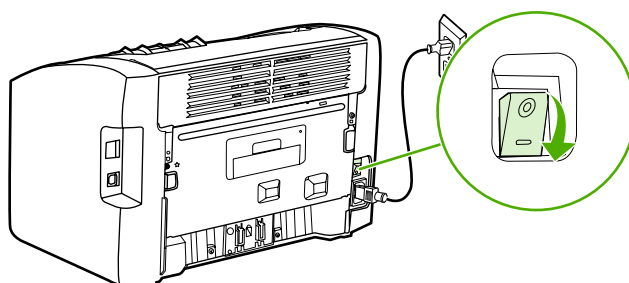
En primer lugar, la impresora debe estar configurada en modo ad hoc (de igual a igual) antes de acceder a un modo de infraestructura (red).

#### 1. Configuración de Macintosh

- a. Inicie Macintosh en OS X 10.2 o versión superior (no existe compatibilidad con v10.1).
- b. Conecte el cable de alimentación a la impresora y, a continuación, a una toma de corriente.



- c. Encienda la impresora.



- d. Imprima una página de configuración para obtener información sobre los valores de configuración de la red. Cuando la impresora se encuentre en estado **Preparada**, mantenga presionado el botón **CONTINUAR** hasta que la luz Preparada comience a parpadear.
- e. En Macintosh, abra **Preferencias del Sistema** y, a continuación, haga clic en el icono **Red**.
- f. En **Location Selector** (Selector de ubicaciones), seleccione **Ubicación nueva**.

- g. Asigne un nombre a la nueva ubicación, como `HP Setup` y, a continuación, haga clic en **Aceptar**.
- h. Seleccione **Mostrar** y, a continuación, **Configuraciones del puerto de red**. Asegúrese de que **Módem interno** y **Ethernet incorporada** no están seleccionados.
- i. Establezca **Mostrar:** en **AirPort**.
- j. Haga clic en **Acceder a una determinada red**.
- k. Seleccione **hpsetup** del menú desplegable.
- l. Haga clic en la ficha **TCP/IP** y seleccione **Manualmente** del menú desplegable **Configurar**.
- m. Busque la dirección IP actual en la página de configuración. Configure la dirección IP de Macintosh de forma que coincida con el número que aparece en la página de configuración, con la excepción del último dígito. Modifique el último dígito para que sea un número mayor que el mostrado en la página de configuración. Por ejemplo, si la dirección IP de la red HP es 192.0.0.192, utilice 192.0.0.193, subred 255.255.255.0 y direccionador 192.0.0.193 (o bien deje el direccionador en blanco) como dirección IP actual del Macintosh.
- n. Haga clic en **Aplicar ahora**.

---

#### Nota

---

El indicador que aparece en la esquina superior derecha de la pantalla del equipo cambiará a *modo adhoc*.

2. Configuración de la impresora en modo de infraestructura
  - a. Abra un examinador de Web (por ejemplo, Safari, Internet Explorer (IE) o Netscape).
  - b. Especifique la dirección IP de la página de configuración en el campo de dirección de un examinador de Web para abrir un servidor Web incorporado (EWS).
  - c. Haga clic en la ficha **Networking** (Conexión en red).
  - d. Haga clic en la opción **Wireless** (Inalámbrica) en la parte izquierda.
  - e. En la sección **Communications Mode** (Modo de comunicaciones), seleccione **Infrastructure** (Infraestructura).
  - f. Seleccione el nombre de la red en el menú desplegable Network Name (Nombre de la red) (SSID) o especifique el nombre de la red SSID. Se diferencian mayúsculas y minúsculas.
  - g. En **Authentication** (Autenticación), seleccione el tipo de **Authentication** adecuado. Open System, Shared Key o WPA\_PSK.

---

#### Nota

---

Si selecciona **Shared Key** (Clave compartida) o **WPA\_SPK**, tendrá que especificar una contraseña.

- h. En **IP Address Configuration** (Configuración de la dirección IP), seleccione **Automatic IP** (IP automática), si el punto de acceso puede emitir una dirección IP, o **Manual IP** (IP manual). En este último caso, para proporcionar una IP estática, complete los datos correspondientes a la dirección IP, máscara de subred y puerta de enlace predeterminada.
- i. Haga clic en **Apply** (Aplicar).
- j. Cierre el examinador.



- k. Imprima una página de configuración. Cuando la impresora se encuentre en estado **Preparada**, mantenga presionado el botón **CONTINUAR** hasta que la luz Preparada comience a parpadear.
- l. Compruebe si la dirección IP es correcta. De ser así, vaya al paso o. Si no es correcta, vaya al paso m. Si la red está cifrada, compruebe la contraseña.
- m. Vuelva a **Preferencias del Sistema** y haga clic en el icono **Red**.
- n. Vuelva a cambiar el **Location Selector** (Selector de ubicaciones) a su valor original (por ejemplo, **Automática**).
- o. Establezca **Configurar:** en **AirPort**.
- p. Haga clic en la ficha **Airport**.
- q. Haga clic en **Acceder a una determinada red** y seleccione el nombre de la red.
- r. Haga clic en **Aplicar**.

La impresora está preparada para usarse en modo inalámbrico.

---

**Nota**

---

El indicador que aparece en la esquina superior derecha de la pantalla del equipo cambiará a *su modo de red*.

- 3. Configuración de una cola de impresión
  - a. Abra la utilidad en **Centro de Impresión** o en **Printer Setup Utility** (Utilidad de impresoras). (Haga clic en el icono del disco duro, seleccione **Aplicaciones**, haga clic en **Utility** (Utilidad) y, a continuación, en **Centro de Impresión** o en **Printer Setup Utility** (Utilidad de impresoras)).
  - b. Añada la impresora mediante Rendezvous.

---

**Nota**

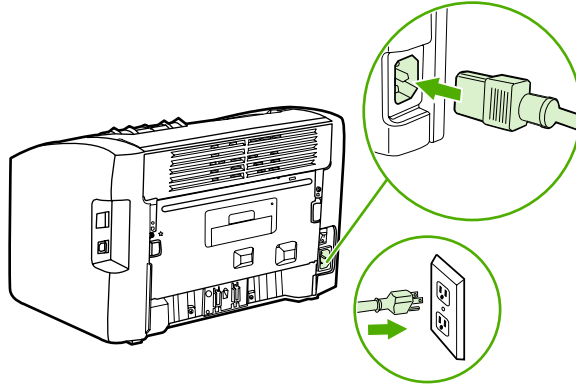
---

Puede añadir una impresora sólo mediante Rendezvous. AppleTalk y TCP/IP no son compatibles.

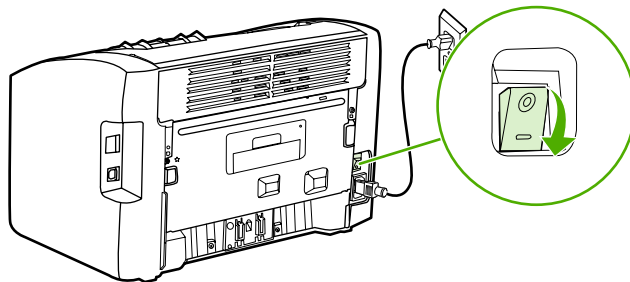
- c. Imprima una página de prueba con Text Edit para comprobar la funcionalidad de la impresora. (Para abrir la aplicación, haga clic en el icono del disco duro, seleccione **Aplicaciones** y, a continuación, haga clic en **Text Edit**).

## Conexión directa mediante el puerto USB

1. Conecte el cable de alimentación a la impresora y, a continuación, a una toma de corriente.



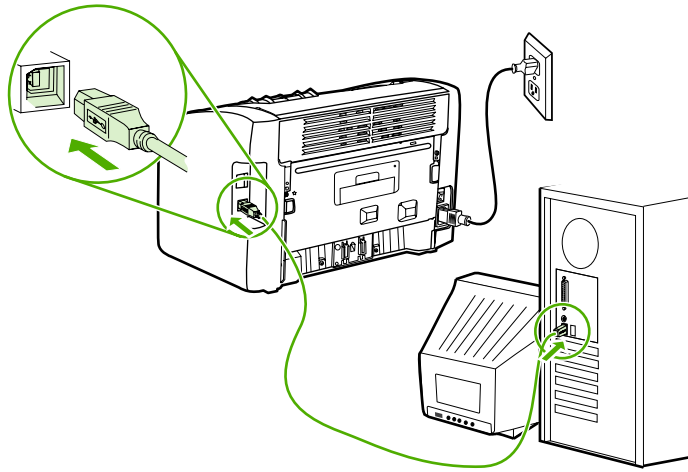
2. Encienda la impresora.



3. Inserte el CD del software en la unidad de CD-ROM del sistema. Siga las instrucciones de instalación en pantalla.



4. Cuando se le pida, conecte el cable USB entre la impresora y el equipo.





# Impressora sem fio HP LaserJet 1022nw

## **Guia de primeiros passos**

---

## Copyright e licença

© 2005 Copyright Hewlett-Packard Development Company, L.P.

A reprodução, adaptação ou tradução sem permissão prévia por escrito é proibida, exceto quando permitido sob as leis de direitos autorais.

As informações contidas aqui estão sujeitas a alterações sem aviso prévio.

As únicas garantias para produtos e serviços HP estão descritas nas declarações de garantia expressa que acompanham tais produtos e serviços. Nenhuma informação contida aqui deve ser interpretada como parte de uma garantia adicional. A HP não se responsabiliza por erros ou omissões técnicas ou editoriais aqui contidas.

Número da peça: Q5914-90901

Edition 1, 2/2005

## Normas da FCC

Este equipamento foi testado e aprovado segundo os limites determinados para um dispositivo digital Classe B, de acordo com a Parte 15 das normas da FCC. Esses limites foram estabelecidos para oferecer proteção contra interferências quando o equipamento for usado em uma instalação residencial. Este equipamento gera, utiliza e pode emitir energia de radiofrequência e, se não for instalado e utilizado de acordo com as instruções, poderá provocar interferências nas comunicações de rádio. Entretanto, não há garantia de que a interferência não ocorrerá em uma instalação específica. Se este equipamento causar interferências nos sinais de rádio ou televisão, o que poderá ser verificado ao desligar o equipamento e ligá-lo novamente, o usuário deverá tentar corrigir a interferência tomando uma das medidas a seguir:

Oriente ou posicione novamente a antena receptora.

Aumente a distância entre o equipamento e o receptor.

Conecte o equipamento a uma tomada de um circuito diferente daquele em que o receptor está ligado.

Consulte o seu representante ou um técnico de rádio/TV experiente.

Quaisquer alterações ou modificações na impressora, que não sejam expressamente aprovadas pela HP, podem invalidar a autorização do usuário para operar o equipamento.

A utilização de cabo de interface blindado é obrigatória para estar de acordo com os limites da Classe B da Parte 15 das normas da FCC.

Este dispositivo está de acordo com a Parte 15 das normas da FCC. A operação está sujeita às duas condições a seguir: (1) este dispositivo não deve provocar interferências e (2) este dispositivo deve aceitar qualquer interferência recebida, inclusive interferência que possa provocar operação indesejada.

## Créditos de marcas comerciais

Microsoft®, Windows® e Windows NT® são marcas registradas da Microsoft Corporation nos EUA.

# Conteúdo

## 1 Introdução

Visão geral do dispositivo .....	2
Preparação do local .....	3
Conteúdo da embalagem .....	4
Localização das peças do dispositivo .....	5

## 2 Instalação e configuração da impressora

Remoção da fita .....	8
Preparação do cartucho de impressão .....	9
Carregamento da bandeja de entrada principal para 250 folhas .....	11
Seleção de um método de conexão .....	12
Conexão da impressora a uma rede com fio .....	13
Conexão da impressora somente a uma rede sem fio .....	15
Informações e componentes de redes .....	15
Componentes da rede para uma instalação de infra-estrutura do Windows .....	16
Procedimento para uma instalação de rede de infra-estrutura do Windows .....	17
Componentes da rede para uma instalação de rede ad-hoc (ponto-a-ponto) do Windows .....	19
Procedimento para instalação de uma rede ad-hoc (ponto-a-ponto) do Windows .....	19
Conexão a uma rede sem fio (Macintosh) .....	21
Conexão direta utilizando a porta USB .....	24





# 1

## Introdução

Este capítulo contém as seguintes seções:

- [Visão geral do dispositivo](#)
- [Preparação do local](#)
- [Conteúdo da embalagem](#)
- [Localização das peças do dispositivo](#)

## Visão geral do dispositivo

---

### Nota

---

A impressora HP LaserJet 1022nw faz parte da família de impressoras da série HP LaserJet 1022. Para obter informações sobre como utilizar as impressoras dessa série, consulte o *Guia do usuário da HP LaserJet 1022* encontrado no CD-ROM.

A impressora HP LaserJet 1022nw contém todos os recursos da impressora HP LaserJet 1022. Além disso, a impressora HP LaserJet 1022nw inclui conectividade sem fio 802.11b/g integrada e uma porta de rede interna.

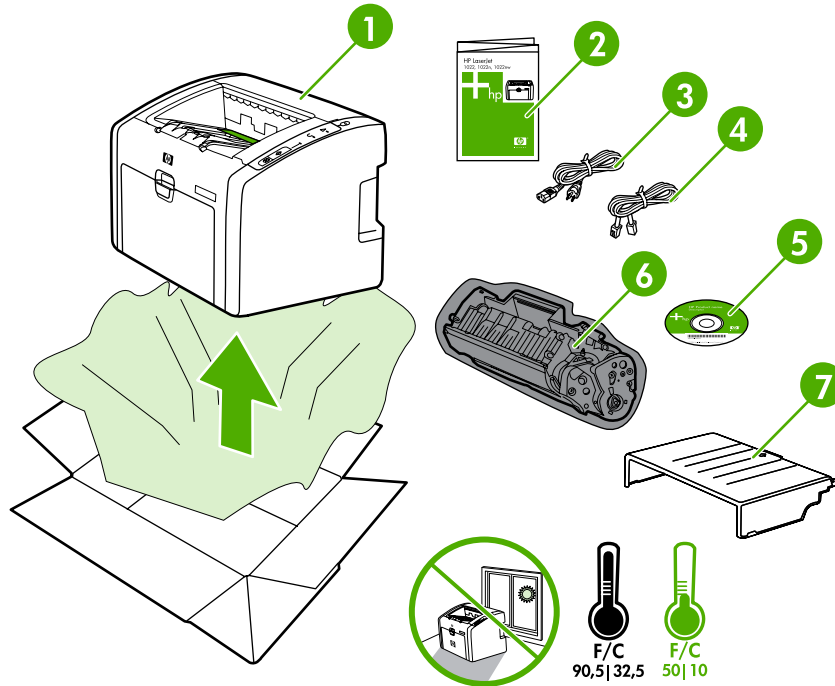
## Preparação do local

Posicione a impressora em uma superfície firme e nivelada em uma área bem-ventilada. Verifique se há espaço suficiente em torno da impressora para permitir que o ar flua pelos orifícios de ventilação.

Não coloque a impressora em contato direto com a luz do sol ou em uma área sujeita a alterações bruscas de temperatura e umidade. A variação de temperatura recomendada é de 10 °C a 32,5 °C.

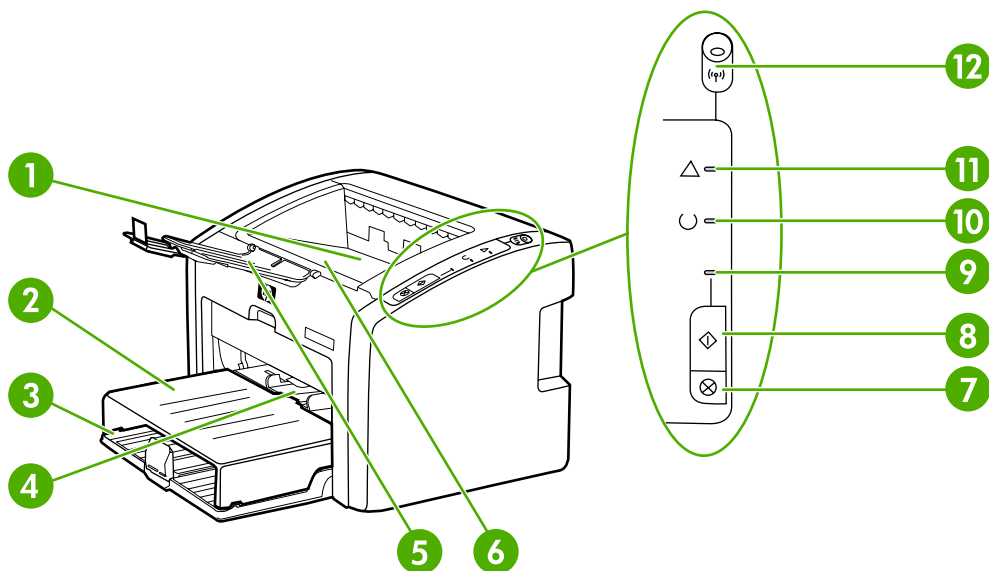
## Conteúdo da embalagem

A embalagem da impressora contém o hardware, software e documentação a seguir.

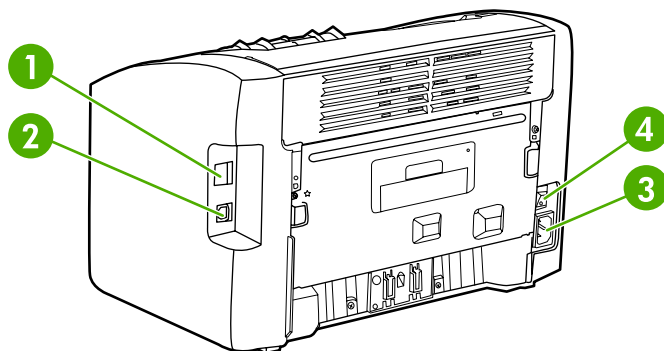


- 1 Impressora HP LaserJet 1022nw
- 2 Documentação (este manual)
- 3 Cabo de alimentação
- 4 Cabo de rede
- 5 CD-ROM contendo o software de instalação e o *Guia do usuário da impressora sem fio HP LaserJet 1022nw*
- 6 Cartucho de impressão
- 7 Tampa da bandeja de entrada

## Localização das peças do dispositivo



- 1 Compartimento de saída
- 2 Tampa da bandeja de entrada
- 3 Bandeja de entrada principal para 250 folhas
- 4 Abertura de alimentação prioritária
- 5 Armazenamento de saída de mídia
- 6 Porta do cartucho de impressão
- 7 Botão **CANCELAR**
- 8 Botão **INICIAR**
- 9 Luz Iniciar
- 10 Luz Pronta
- 11 Luz de atenção
- 12 Luz da conexão sem fio



- 1 Porta de rede interna
- 2 Porta USB
- 3 Receptáculo de alimentação elétrica
- 4 Interruptor LIG/DESL



# 2

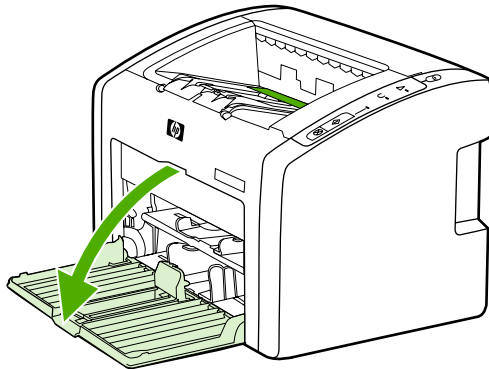
## Instalação e configuração da impressora

Este capítulo contém as seguintes seções:

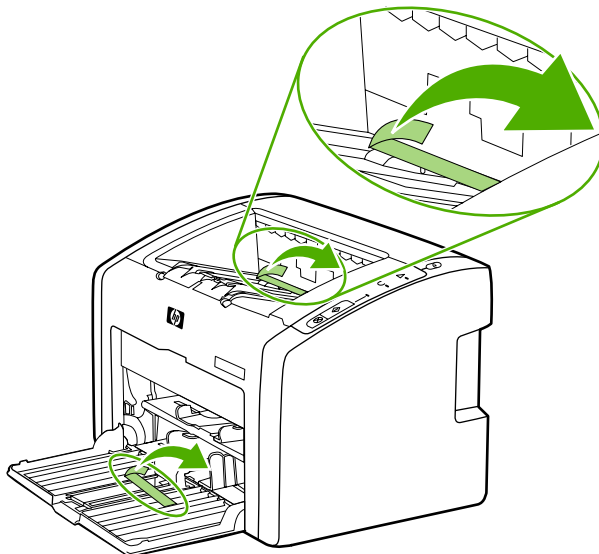
- [Remoção da fita](#)
- [Preparação do cartucho de impressão](#)
- [Carregamento da bandeja de entrada principal para 250 folhas](#)
- [Seleção de um método de conexão](#)
- [Conexão da impressora a uma rede com fio](#)
- [Conexão da impressora somente a uma rede sem fio](#)
- [Conexão direta utilizando a porta USB](#)

## Remoção da fita

1. Abra a bandeja de entrada principal.



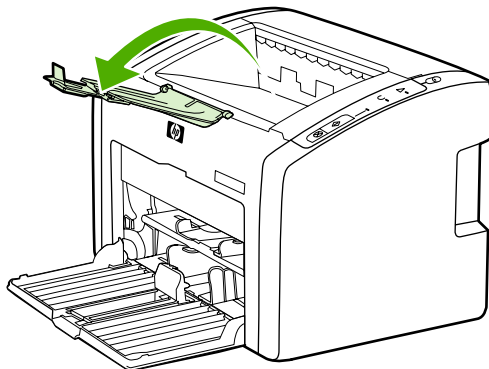
2. Remova a fita laranja da impressora.



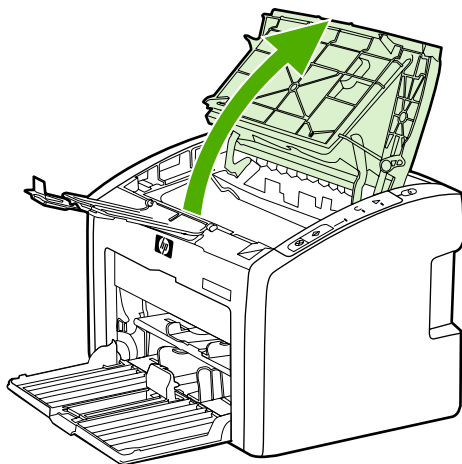


## Preparação do cartucho de impressão

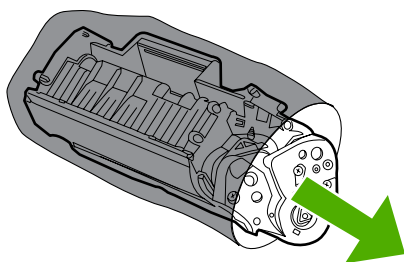
1. Abra a bandeja de armazenamento de saída de mídia.



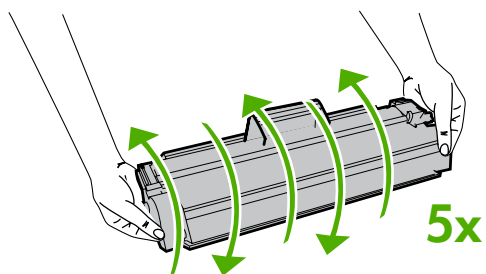
2. Abra a porta do cartucho de impressão.



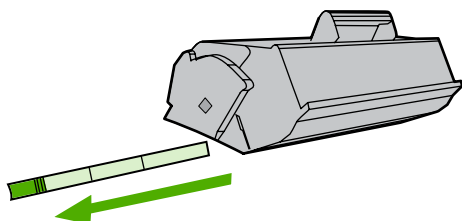
3. Remova o cartucho de impressão da embalagem.



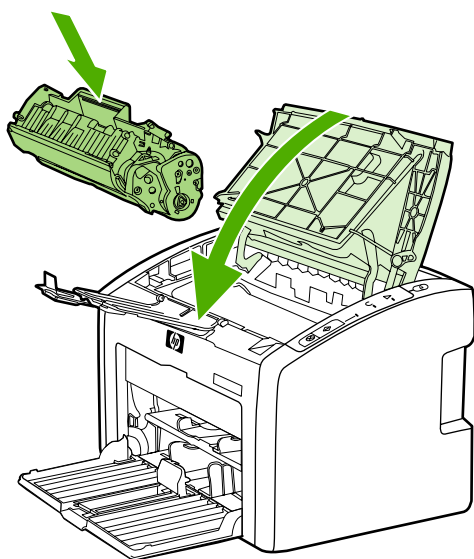
4. Segure o cartucho pelas duas laterais e agite-o delicadamente para frente e para trás cinco vezes. Isso distribui o toner.



5. Remova a fita de vedação interna, quebrando a aba na extremidade do cartucho e puxando completamente a fita para fora.



6. Insira o cartucho de impressão e feche a porta.



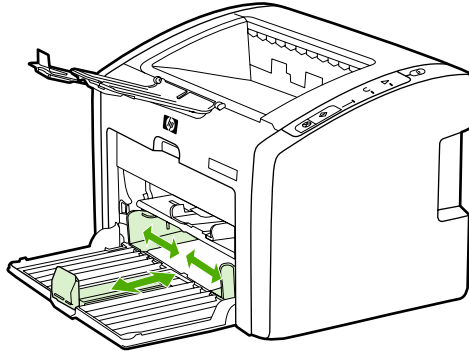
---

**Nota**

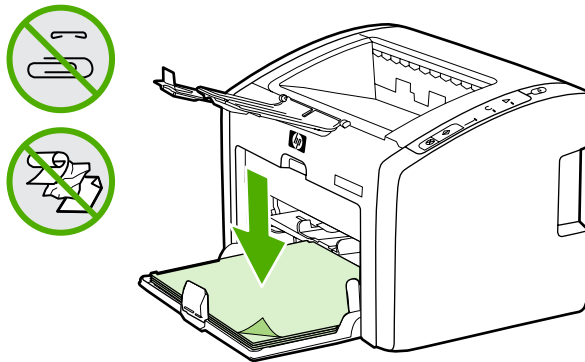
Para evitar danos ao cartucho de impressão, reduza sua exposição direta à luz.

## Carregamento da bandeja de entrada principal para 250 folhas

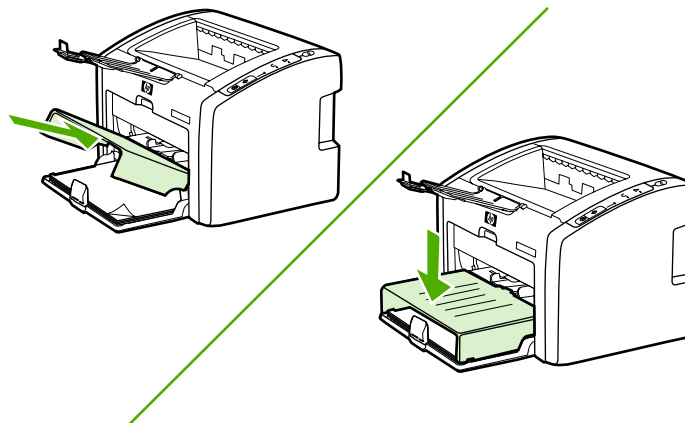
1. Ajuste as guias de mídia de acordo com as configurações de tamanho da mídia.



2. Insira o papel com a parte superior para a frente e com o lado a ser impresso voltado para baixo.



3. Insira a tampa da bandeja de entrada.



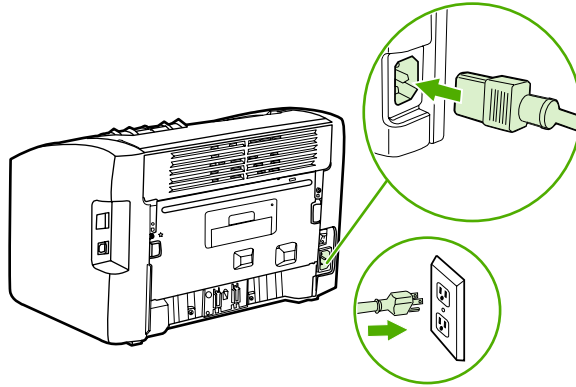
## Seleção de um método de conexão

Selecione um dos seguintes métodos para conectar a impressora:

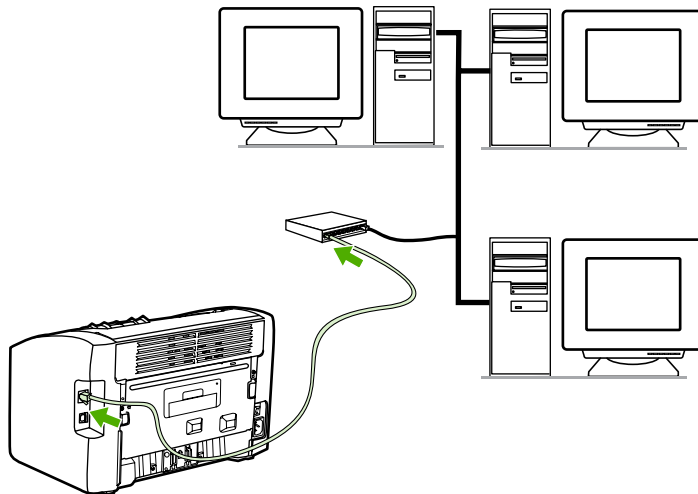
- **Rede com fio:** para conexão a uma rede com fio, consulte [Conexão da impressora a uma rede com fio](#)
- ou-
- **Rede sem fio:** para conexão a uma rede sem fio, consulte [Conexão da impressora somente a uma rede sem fio](#)
- ou-
- **USB:** para executar uma conexão USB direta, consulte [Conexão direta utilizando a porta USB](#)

## Conexão da impressora a uma rede com fio

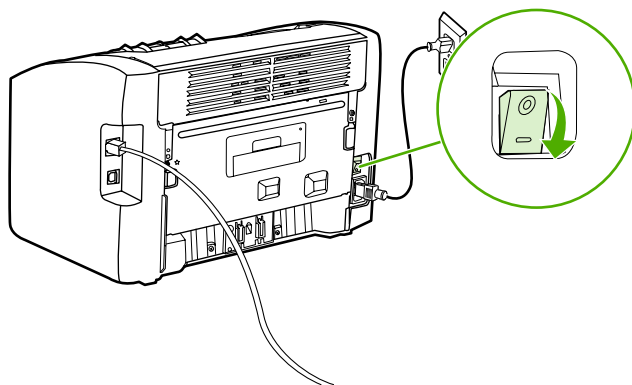
1. Conecte o cabo de alimentação à impressora e, em seguida, à tomada.



2. Conecte o cabo de rede entre a porta de rede da impressora e o hub da rede.



3. Ligue a impressora.



---

**Nota**

---

Para obter informações adicionais sobre as definições de configuração da rede, imprima uma página de configuração. Quando a impressora estiver no estado **Pronta**, mantenha pressionado o botão **INICIAR** até que a luz Pronta comece a piscar.

4. Insira o CD do software na unidade de CD-ROM do computador. Siga as instruções de instalação que aparecem na tela.



## Conexão da impressora somente a uma rede sem fio

Esta seção contém informações sobre como conectar a impressora a apenas uma rede sem fio. Para obter mais informações sobre redes sem fio, consulte o *Guia do usuário da impressora sem fio HP LaserJet 1022nw*.

---

### Nota

A impressora não pode ser conectada a uma rede com e sem fio simultaneamente. Por exemplo, se a impressora estiver configurada para uma rede com fio, não é possível conectá-la também a uma rede sem fio.

---

### Nota

É altamente recomendável implementar um esquema de segurança sem fio (Wired Equivalent Privacy [Equivalente à privacidade com fio] [WEP] ou Wi-Fi protected access [Acesso protegido Wi-Fi] [WPA]) antes da configuração. Além disso, utilize um programa antivírus para proteção contra vírus de computador e siga as regras básicas de segurança. Outros componentes de rede, incluindo firewalls, sistemas de detecção de invasão e redes segmentadas, também devem ser considerados como parte do projeto da rede.

## Informações e componentes de redes

Instalar a impressora em uma rede sem fio requer informações sobre a rede e seus componentes.

### Informações sobre a rede

Obtenha as seguintes informações com o administrador do sistema ou com a pessoa que instalou a rede:

- O nome da rede (SSID): o SSID identifica uma rede sem fio específica. Para operar em uma rede, todos os dispositivos conectados devem conhecer o nome da rede.
- O modo de comunicação da rede: infra-estrutura ou ad-hoc.

No modo de infra-estrutura, a impressora se comunica com os computadores da rede por meio de um ponto de acesso sem fio (WAP) ou uma estação base. O ponto de acesso funciona como um hub ou gateway central que conecta dispositivos sem fio e, opcionalmente, com fio.

No modo ad-hoc, que às vezes é conhecido por modo ponto-a-ponto, a impressora se comunica diretamente com o computador, em vez de por meio de um WAP ou estação base. Cada dispositivo de uma rede ad-hoc deve ter um adaptador de rede sem fio.

---

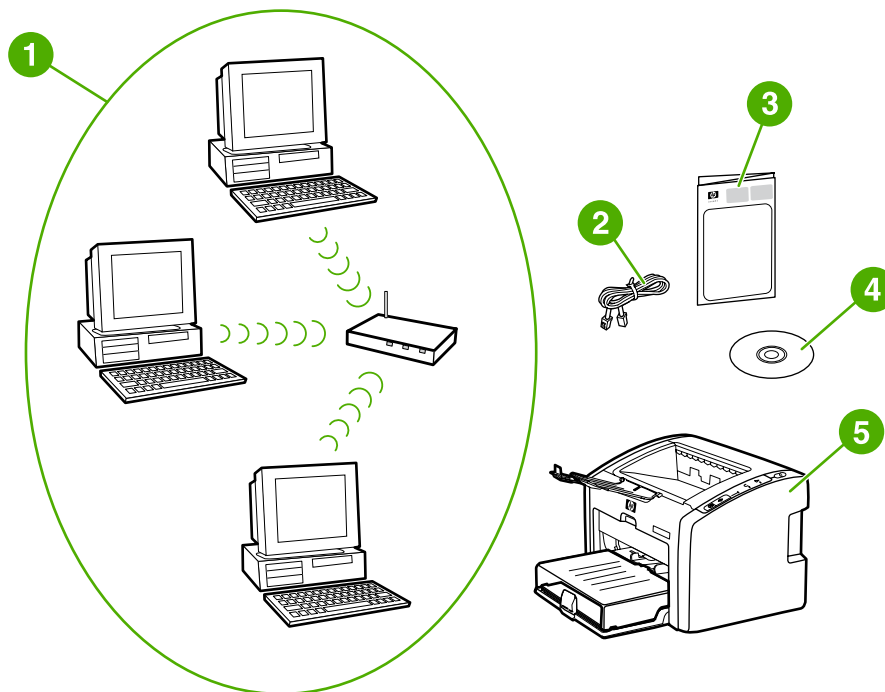
### Nota

Para obter um desempenho máximo, a HP recomenda a conexão da impressora a uma rede que se comunique usando o modo de infra-estrutura.

- As configurações de segurança da rede (se utilizadas): o WEP e a chave WEP utilizada, o método de autenticação (Aberto, Chave compartilhada ou Chave pré-compartilhada [PSK] e a Criptografia (nenhuma, WEP ou WPA)).

## Componentes da rede para uma instalação de infra-estrutura do Windows

O diagrama a seguir mostra a impressora e os componentes de hardware e software necessários para uma instalação sem fio:



- 1 Rede sem fio em operação
- 2 Cabo de rede (fornecido com a impressora)
- 3 *Guia de primeiros passos da impressora sem fio HP LaserJet 1022nw* (este documento)
- 4 CD-ROM contendo o software de instalação e o *Guia do usuário da impressora sem fio HP LaserJet 1022nw*
- 5 Impressora HP LaserJet 1022nw

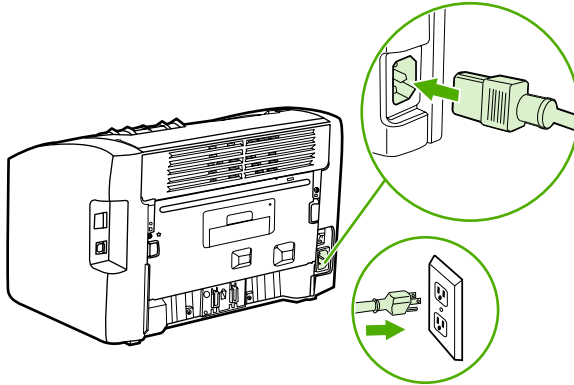


## Procedimento para uma instalação de rede de infra-estrutura do Windows

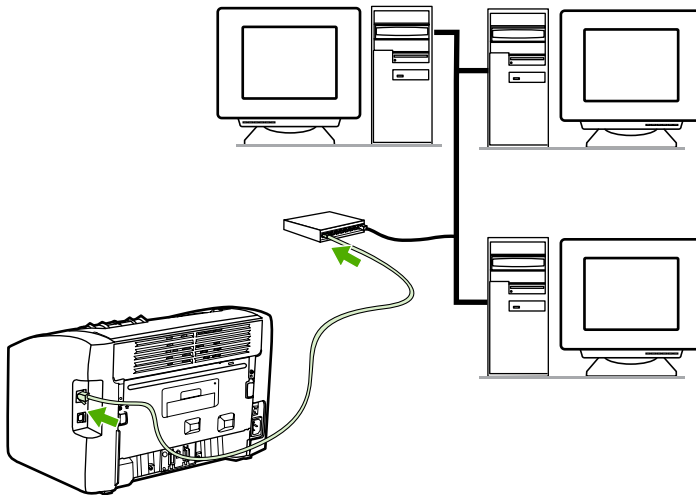
### Nota

Caso enfrente problemas durante o processo de instalação da rede sem fio, consulte a seção *Solução de problemas* do *Guia do usuário da impressora sem fio HP LaserJet 1022nw*.

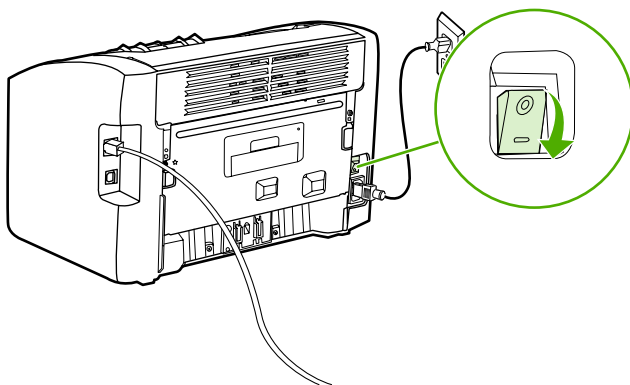
1. Conecte o cabo de alimentação à impressora e, em seguida, à tomada.



2. Conecte o cabo da porta de rede da impressora ao hub/roteador da rede. Essa conexão por cabo é temporária. Ao final do processo de instalação, você desconectará o cabo. Em seguida, a impressora operará no modo sem fio. (Utilize o cabo fornecido na embalagem da impressora.)



3. Ligue a impressora.



A luz verde na porta de rede se acende.

4. Imprima uma página de configuração para obter informações adicionais sobre as definições da configuração da rede, como o endereço IP. Quando a impressora estiver no estado **Pronta**, mantenha pressionado o botão **INICIAR** até que a luz Pronta comece a piscar.

---

#### Nota

Se o endereço IP na página de configuração for 0.0.0.0, aguarde alguns minutos e, em seguida, imprima a página de configuração novamente. Faça isso até que o endereço IP não seja 0.0.0.0. A impressora terá um endereço IP com base em sua configuração pessoal de rede. Por exemplo, o endereço IP pode ser semelhante a 192.168.x.y, onde o x e o y podem ser qualquer número entre 0 e 255.

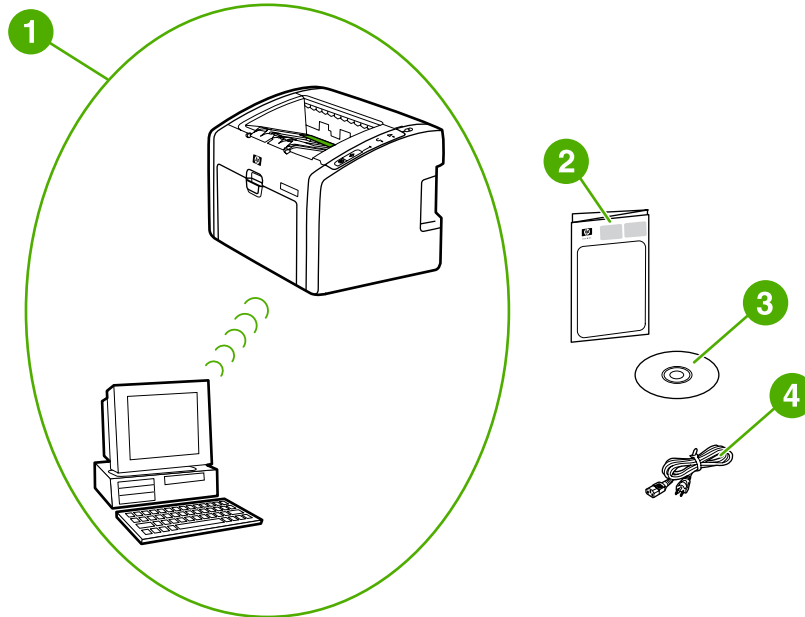
5. Insira o CD em um computador que esteja conectado à rede. Siga os prompts de instalação que aparecem na tela. Na caixa de diálogo **Modelo**, selecione **HP LaserJet 1022nw**. Na caixa de diálogo **Conexão de impressora**, selecione a opção **Conexão sem fio**.



6. Após a conclusão da instalação, verifique se o cabo da rede está desconectado.

## Componentes da rede para uma instalação de rede ad-hoc (ponto-a-ponto) do Windows

Os seguintes componentes são necessários para executar uma instalação ad-hoc:



- 1 Rede sem fio ad-hoc em operação
- 2 *Guia de primeiros passos da impressora sem fio HP LaserJet 1022nw* (este documento)
- 3 CD-ROM contendo o software de instalação e o *Guia do usuário da impressora sem fio HP LaserJet 1022nw*
- 4 Cabo de alimentação

## Procedimento para instalação de uma rede ad-hoc (ponto-a-ponto) do Windows

Leia todos os procedimentos antes de iniciar uma instalação de rede sem fio ad-hoc. Para obter os melhores resultados, siga as instruções na ordem relacionada.

### Nota

A HP recomenda enfaticamente ter uma rede ad-hoc existente ou configurar uma antes de iniciar este método de instalação.

1. Preparação da impressora
  - a. Feche todos os aplicativos no computador.
  - b. Conecte a impressora a uma tomada e ligue a impressora.
  - c. Aguarde alguns minutos e, em seguida, imprima uma página de configuração. Quando a impressora estiver no estado **Pronta**, mantenha pressionado o botão **INICIAR** até que a luz Pronta comece a piscar.

- d. Se o endereço IP na página de configuração for 0.0.0.0, aguarde alguns minutos e repita a etapa anterior. Faça isso até que o endereço IP não seja 0.0.0.0. A impressora terá um endereço IP com base em sua configuração pessoal de rede. Por exemplo, o endereço IP pode ser semelhante a 192.168.x.y, onde o x e o y podem ser qualquer número entre 0 e 255.
  - e. Na página de configuração, confirme se há um Nome de rede (SSID), como **hpsetup**.
2. Preparação do computador
    - a. Desconecte todos os cabos de rede conectados ao computador. Isso desativará todas as redes com fio. Somente redes sem fio devem estar ativas durante a instalação. Para verificar se a rede com fio está desativada, clique em **Iniciar**, **Painel de controle** e em **Conexões de rede**. (Os cabos desconectados devem ser reconectados quando a instalação estiver concluída.)
    - b. Nas propriedades de configuração da placa de rede sem fio do computador, verifique se a rede **hpsetup** está disponível e conecte-se a ela. (Por exemplo, no Windows XP, para se conectar à rede sem fio **hpsetup**, clique em **Iniciar**, **Painel de controle**, **Conexões de rede** e em **Conexão de rede sem fio**. Em seguida, clique em **Propriedades** e selecione a guia **Redes sem fio**. Na caixa **Redes disponíveis**, selecione **hpsetup** e clique em **Configurar**. Clique em **OK**. O nome da rede, **hpsetup**, agora deve estar disponível na seção **Redes preferenciais**. Clique em **Atualizar** se a rede **hpsetup** não estiver relacionada.) Se estiver utilizando uma placa ou adaptador sem fio, use o utilitário fornecido com a placa ou com o adaptador sem fio para adicionar **hpsetup** às opções de rede. O nome da rede, **hpsetup**, deve ser utilizado somente para configurar a impressora.
    - c. Verifique se o computador possui um endereço IP automático antes de iniciar a instalação do software. O computador pode demorar alguns momentos para adquirir um endereço IP automático. (Por exemplo, no Windows XP, para verificar se o computador possui um endereço IP automático, clique em **Iniciar**, **Todos os programas**, **Conectar-se** ou clique em **Iniciar**, **Conectar-se** e em **Mostrar todas as conexões**. Em seguida, selecione **Conexão de rede sem fio**. Na seção **Detalhes**, verifique se o endereço IP é semelhante a 192.168.x.y, onde o x e o y são quaisquer números entre 0 e 255. Verifique também se o nome da rede ponto-a-ponto é **hpsetup**.) Se o computador ainda não tiver adquirido um endereço IP automático válido, aguarde alguns minutos. A seção **Detalhes** da caixa **Conexões de rede** será alterada para mostrar o novo endereço IP quando ele for válido. Agora você está pronto para iniciar a instalação do software.
  3. Instalação do software
    - a. Insira o CD do software na unidade de CD-ROM do computador. Inicie a instalação do software e siga as instruções que aparecem na tela.
    - b. Se uma ou mais impressoras forem encontradas e exibidas na página **Impressoras localizadas**, selecione a impressora que possui o mesmo endereço IP que a que está sendo instalada e clique em **Avançar**.
    - c. A HP recomenda enfaticamente selecionar **Alterar configurações** na página **Confirmar configurações** para configurar a rede do dispositivo para corresponder às configurações da rede ad-hoc existentes no computador. Se ainda não houver uma rede ad-hoc existente, aceite as configurações padrão.
    - d. Aceite as configurações na página **Confirmar configurações**.
    - e. Continue com a instalação até que o processo seja concluído.

- f. Quando a instalação do software estiver concluída e o computador tiver sido reiniciado, reconecte todos os cabos de rede desconectados durante a instalação.

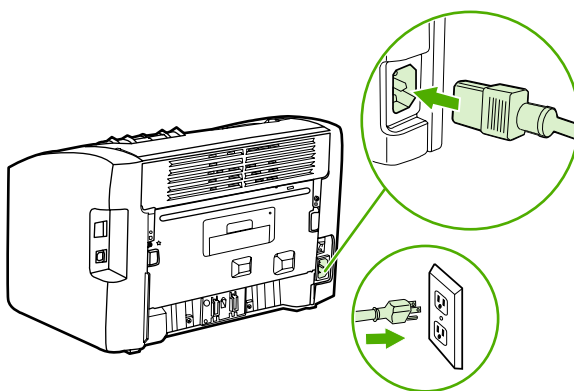
## Conexão a uma rede sem fio (Macintosh)

Utilize as seguintes etapas para configurar uma rede sem fio em um Macintosh.

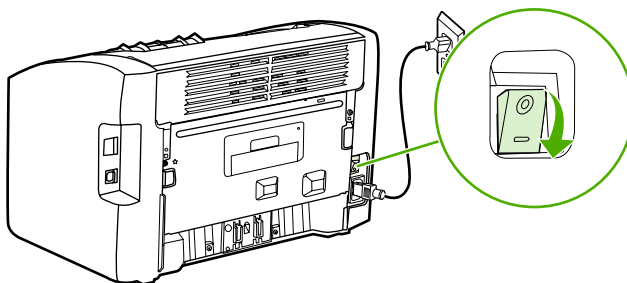
### Nota

Primeiro a impressora deve estar configurada no modo ad-hoc (ponto-a-ponto) antes de poder fazer parte de um modo de infra-estrutura (rede).

1. Configuração do Macintosh
  - a. Inicie o Macintosh no OS X 10.2 ou superior (não suportado na v10.1).
  - b. Conecte o cabo de alimentação à impressora e, em seguida, à tomada.



- c. Ligue a impressora.



- d. Imprima uma página de configuração para obter informações adicionais sobre as definições de configuração da rede. Quando a impressora estiver no estado **Pronta**, mantenha pressionado o botão **INICIAR** até que a luz Pronta comece a piscar.
    - e. No Macintosh, abra **Preferências do sistema** e, em seguida, clique no ícone **Rede**.
    - f. No **Seletor de localização**, selecione **Nova localização**.
    - g. Digite um nome para a nova localização, como **Configuração HP**, e clique em **OK**.
    - h. Selecione **Mostrar** e, em seguida, **Configurações de Porta de Rede**. Verifique se **Modem interno** e **Ethernet Integrada** não estão selecionados.
    - i. Defina **Mostrar**: como **AirPort**.
    - j. Clique em **Conectar-se a uma rede específica**.
    - k. Selecione **hpsetup** no menu suspenso.

- l. Clique na guia **TCP/IP** e selecione **Manualmente** no menu suspenso **Configurar**.
- m. Localize o endereço IP atual na página de configuração. Configure o endereço IP do Macintosh como um endereço IP que corresponda ao número na página de configuração, exceto pelo último dígito. Altere o último dígito para um número acima do mostrado na página de configuração. Por exemplo, se o endereço IP da rede HP for 192.0.0.192, utilize 192.0.0.193, sub-rede 255.255.255.0 e roteador 192.0.0.193 (ou deixe o roteador em branco) como o endereço IP atual do Macintosh.
- n. Clique em **Aplicar Agora**.

---

**Nota**

---

O indicador de sinal no canto superior direito da tela do computador será alterado para *Modo Ad hoc*.

2. Configuração da impressora para o modo de infra-estrutura
  - a. Abra um navegador da Web (por exemplo, Safari, Internet Explorer (IE) ou Netscape).
  - b. Digite o endereço IP da página de configuração em uma linha de endereço de um navegador da Web para abrir o EWS (servidor da Web incorporado).
  - c. Clique na guia **Networking** (Rede).
  - d. Clique na opção **Wireless** (Sem fio) no lado esquerdo.
  - e. Na seção **Communication Mode** (Modo de comunicação), selecione **Infrastructure** (Infra-estrutura).
  - f. Selecione o nome da rede no menu suspenso Network Name (Nome da rede) (SSID) ou digite o nome da rede SSID. Esse nome diferencia maiúsculas de minúsculas.
  - g. Em **Authentication** (Autenticação), selecione o tipo de **Authentication** apropriado: Open System (Sistema aberto), Shared Key (Chave compartilhada) ou WPA\_PSK.

---

**Nota**

---

Se você selecionar **Shared Key** ou **WPA\_SPK**, deverá digitar a senha da rede.

- h. Em **IP Address Configuration** (Configuração de endereço IP), selecione **Automatic IP** (IP automático) (se o ponto de acesso puder emitir um endereço IP) ou **Manual IP** [IP manual] (para fornecer um IP estático, preencha o IP Address [Endereço IP], Subnet Mask [Máscara de sub-rede] e Default Gateway [Gateway padrão]).
- i. Clique em **Apply** (Aplicar).
- j. Feche o navegador da Web.
- k. Imprima uma página de configuração. Quando a impressora estiver no estado **Pronta**, mantenha pressionado o botão **INICIAR** até que a luz Pronta comece a piscar.
- l. Verifique se o endereço IP está correto. Se estiver, vá para a etapa o. Se o endereço IP não estiver correto, vá para a etapa m. Se a rede for criptografada, verifique a senha.
- m. Volte para **Preferências do sistema** e clique no ícone **Rede**.
- n. Altere o **Seletor de localização** para a configuração original (por exemplo, **Automático**).
- o. Defina **Mostrar:** como **AirPort**.

- p. Clique na guia **Airport**.
- q. Clique em **Conectar-se a uma rede específica**: e escolha o nome da rede.
- r. Clique em **Aplicar**.

A impressora está pronta para ser utilizada no modo sem fio.

---

**Nota**

---

O indicador de sinal no canto superior direito da tela do computador será alterado para *Seu modo de rede*.

- 3. Configuração de uma fila de impressão
  - a. Abra o **Centro de Impressão** ou o **Printer Setup Utility** (Utilitário de configuração de impressora). (Clique no ícone da unidade de disco rígido, selecione **Aplicativos**, clique em **Utilitário** e, em seguida, em **Centro de Impressão** ou em **Printer Setup Utility**.)
  - b. Adicione a impressora utilizando o Rendezvous.

---

**Nota**

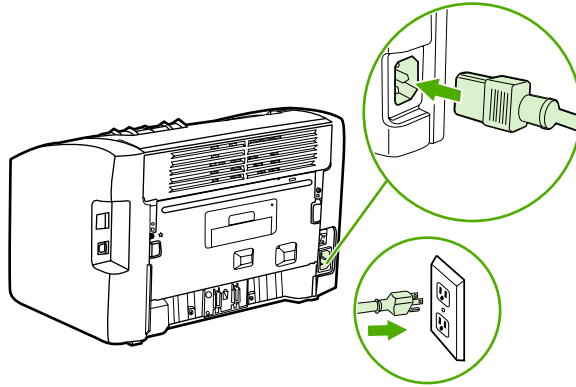
---

É possível adicionar uma impressora apenas com o Rendezvous. AppleTalk e TCP/IP não são suportados.

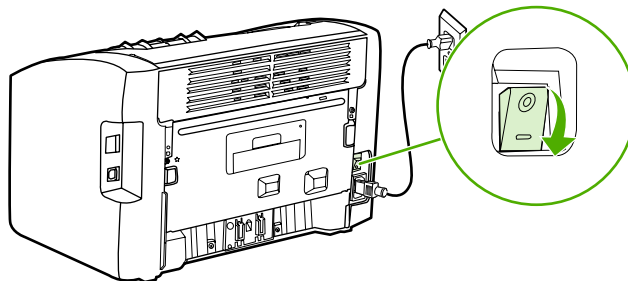
- c. Imprima uma página de teste utilizando Text Edit (Edição de texto) para verificar a funcionalidade da impressora. Para abrir o aplicativo, clique no ícone da unidade de disco rígido, selecione **Aplicativos** e clique em **Text Edit**.

## Conexão direta utilizando a porta USB

1. Conecte o cabo de alimentação à impressora e, em seguida, à tomada.



2. Ligue a impressora.

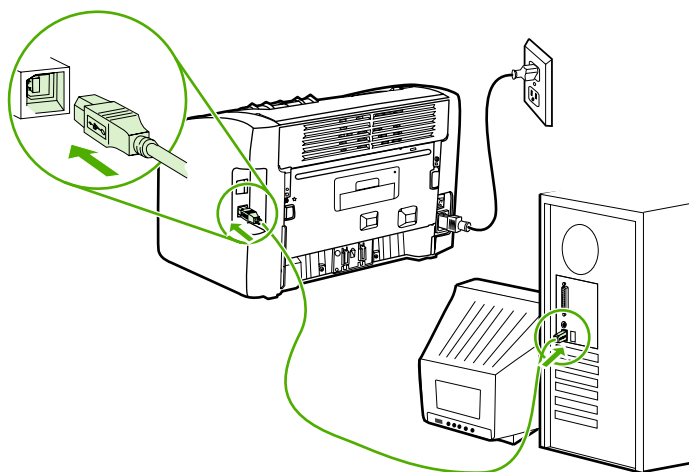


3. Insira o CD do software na unidade de CD-ROM do computador. Siga as instruções de instalação que aparecem na tela.





4. Quando solicitado, conecte o cabo USB entre a impressora e o computador.







© 2005 Hewlett-Packard Development Company, L.P.

[www.hp.com](http://www.hp.com)



Q5914-90901