

Network Installation Guide

网络安装指南

ネットワーク インストール ガイド

네트워크 설치 안내서

คู่มือการติดตั้งเครือข่าย

網路安裝指南

A large, stylized graphic of the HP logo is centered on the page. It consists of a white cross-like shape on a green background, with the lowercase letters 'hp' in white to its right.

hp

Copyright and License

© 2005 Copyright Hewlett-Packard Development Company, L.P.

Reproduction, adaptation or translation without prior written permission is prohibited, except as allowed under the copyright laws.

The information contained herein is subject to change without notice.

The only warranties for HP products and services are set forth in the express warranty statements accompanying such products and services. Nothing herein should be construed as constituting an additional warranty. HP shall not be liable for technical or editorial errors or omissions contained herein

Part number: 5851-2402

Edition 1, 9/2005

Trademark Credits

Windows® is a U.S. registered trademark of Microsoft Corporation.

版权与许可

© 2005 Copyright Hewlett-Packard Development Company, L.P.

未经事先书面许可，严禁进行任何形式的复制、改编或翻译，除非版权法另有规定。

此处包含的信息如有更改，恕不另行通知。

HP 产品和服务的所有保修事项已在产品和服务所附带的保修声明中列出，此处内容不代表任何额外保修。HP 公司对此处任何技术性 or 编辑性的错误或遗漏概不负责。

部件编号：5851-2402

第一版，2005 年 9 月

商标声明

Microsoft® 是 Microsoft Corporation 在美国的注册商标。

Networked and Shared Printer Install Guide for Windows® Operating Systems

HP recommends that you use the HP software installer on the CD that comes with the printer to set up the printer using the network configurations described in this document. You are not required to install additional printer software using this installer.

You can also set up these configurations using the Add Printer Wizard, but instructions on how to do this are not included in this document. See the *User Guide*, located on the CD that shipped with the printer, for these instructions and for more detailed instructions on using the installer. Instructions for other operating systems can also be found there. The HP Jetdirect Administrator Guide and the Installation Notes, also located on the CD, have additional instructions.

Possible Network Configurations

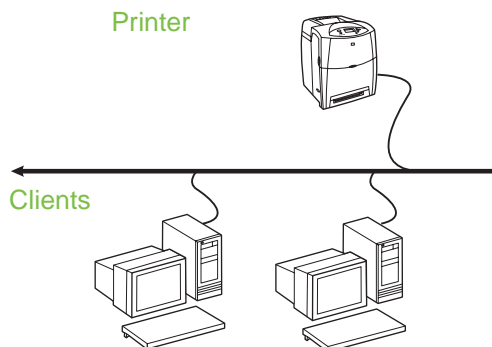
Four possible network printer configurations include:

1. The printer is connected directly to the network (direct mode or peer-to-peer printing). Each network user prints directly to the network address of the printer's network card.
2. The printer is connected directly to the network and a shared print queue is configured on a network file/print server (client-server printing). This shared print queue spools directly to the printer via a network port.
3. The printer is connected directly to a PC that acts as a print server, allowing the printer to be shared to PC clients on the network.
4. PC clients connect to a printer that has already been set up on the network, or connect to a print queue that is shared from either another PC client or file/print server.

The following sections provide information about each network configuration and provide basic installation information.

1 - Direct mode or peer-to-peer printing

The printer is connected directly to the network and all PCs or clients print directly to the printer.

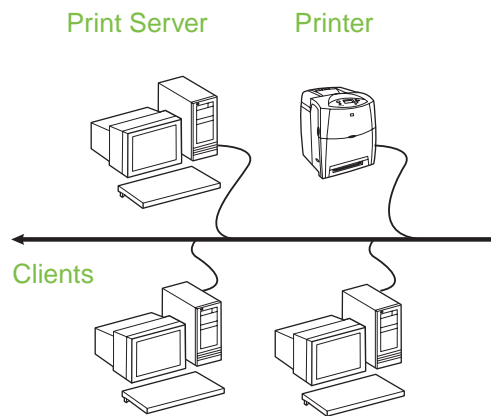


- **Recommended for groups of 10 to 20 users or small offices.**
- Requires a network connection on the printer or an internal or external print server. If the printer does not have one, use configuration 3 below.
- Installation overview:
 - Hardware setup - plug the printer directly into the network using a network cable.
 - Run the CD that came with the printer and follow the steps below for **each PC** to enable printing.
 - Information required during software setup - printer hardware or IP address obtained from page 2 of the printer configuration page. For instructions on how to print the configuration page, see the *User Guide* on the CD.

Installation steps:

1. Print a configuration page and note the IP address on the second page, under **TCP-IP**. For instructions on how to print the configuration page, see the *User Guide* on the CD. If the IP address is 0.0.0.0, wait for initialization to complete (2 or 3 minutes) and print another configuration page. If a valid IP address still is not found over the network, a default IP address (192.0.0.192 or 169.254.x.x) is assigned automatically. If you want to assign a particular IP address using the printer control panel, see the instructions at the end of this document.

2. Insert the CD that came with the printer. The software installer should start without assistance. If it does not, browse to setup.exe in the root directory of the CD, and double-click on it.
3. Select the language you would like the installer to display, and accept the License Agreement.
4. On the Printer Connection screen, select **Connected via the network**.
5. On the Printers Found screen, select the printer to be installed.
6. On the Confirm Settings screen, verify the printer settings.



Note

To manually change the IP address of the printer, select Change Settings on the Confirm Settings screen and follow the prompts.

7. On the Installation Type screen, select **Typical Installation** to install the typical software. To install the minimum set of drivers and software, select **Minimum Installation**. If you want to select the software to be installed, select **Custom Installation**.
8. On the Printer Name screen, assign the printer a name to be used in the Printers folder.
9. For Windows 2000 and XP, you can provide location and descriptive information if desired.
10. On the Ready to Install screen, select Install and allow the installation to complete.

2 - Client-server printing via network port-connected shared print queue

The printer is connected directly to the network and a print queue is created on a network file/print server. The server then manages the printing.

- **Recommended for larger workgroups, more than 30 users. Allows administrator control of client printer driver settings.**
- Requires a network connection on the printer or an internal or external print server. If the printer does not have a network connection, use configuration 3 below.
- Installation overview:
 - Hardware setup - plug the printer directly into the network using a network cable.
 - Run the CD that came with the printer on the server PC to enable printing.
- Information required during software setup:
 - Determine the printer's hardware or IP address, obtained from page 2 of the printer configuration page. For instructions on how to print the configuration page, see the *User Guide* on the CD.
 - Decide on a printer share name.

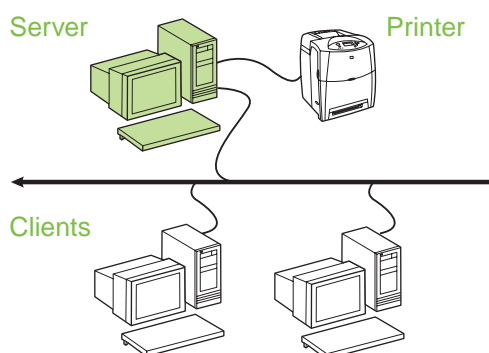
Installation steps:

1. Print a configuration page and note the IP address on the second page, under **TCP-IP**. For instructions on how to print the configuration page, see the *User Guide* on the CD. If the IP address is 0.0.0.0, wait for initialization to complete (2 or 3 minutes) and print another configuration page. If a valid IP address still is not found over the network, a default IP address (192.0.0.192 or 169.254.x.x) is assigned automatically. If you want to assign a particular IP address using the printer control panel, see the instructions at the end of this document.
2. Insert the CD that came with the printer. The software installer should start without assistance. If it does not start, browse to setup.exe in the root directory of the CD and double-click on it.

3. Select the language you would like the installer to display, and accept the License Agreement.
4. On the Printer Connection screen, select **Connected via the network**.
5. On the Confirm Settings screen, verify the printer settings.

Note

To manually change the IP address of the printer, select Change Settings on the Confirm Settings screen and follow the prompts.



6. On the Installation Type screen, select **Typical Installation** to install the typical software. To install the minimum set of drivers and software, select **Minimum Installation**. If you want to select the software to be installed, select **Custom Installation**.
7. On the Printer Name screen, assign the printer a name to be used in the Printers folder.
8. On the Printer Sharing screen, click the Printer Sharing button and follow the prompts.
9. If you are sharing the printer with other PCs that are running operating systems different than the PC you are using, add these drivers on the Client Driver Support screen after the printer is installed.
 - To add drivers for sharing with different operating systems, highlight the printer and select File, Properties. On the Sharing tab, select Additional Drivers and point to the desired drivers.
10. For Windows 2000 and XP, you can provide location and descriptive information if desired.
11. On the Ready to Install screen, select Install and allow the installation to complete.

3 - Client-server printing via direct-connected shared printer

Server installation

The printer is connected directly to a PC using a USB or parallel cable, and is shared with other PCs or clients on the network.

- **Recommended for printers that do not have a network connection.**
- Requires the printer to be directly connected to a PC with either a parallel or USB cable.
- Installation overview:
 - Hardware setup - plug the printer directly into the PC with a parallel or USB cable.
 - Run the CD, which came with the printer, on the server PC to enable printing.
- Information required during software setup - decide on a printer share name.

Installation steps:

1. Insert the CD that came with the printer. The software installer should start without assistance. If it does not, browse to setup.exe in the root directory of the CD and double-click on it.
2. Select the language you would like the installer to display, and accept the License Agreement.
3. On the Printer Connection screen, select **Connected directly to this computer**.
4. On the Connector Type screen, select the type of cable used to connect the printer.
5. On the Confirm Settings screen, verify the printer settings.

Note

To manually change the IP address of the printer, select Change Settings on the Confirm Settings screen and follow the prompts.

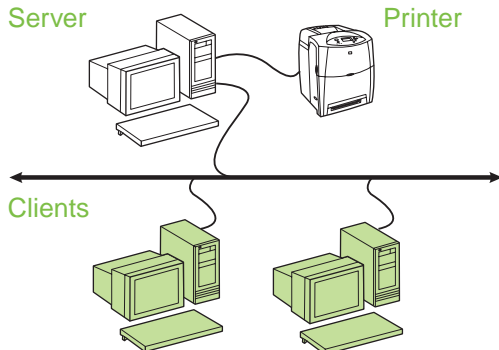
6. On the Installation Type screen, select **Typical Installation** to install the typical software. To install the minimum set of drivers and software, select **Minimum Installation**. If you want to select the software to be installed, select **Custom Installation**.
7. On the Printer Name screen, assign the printer a name to be used in the Printers folder.

8. On the Printer Sharing screen, click the Printer Sharing button and follow the prompts.
9. If you are sharing the printer with other PCs that are running operating systems different than the PC you are using, add these drivers on the Client Driver Support screen after the printer is installed.
 - To add drivers for sharing with different operating systems, highlight the printer and select File, Properties. On the Sharing tab, select Additional Drivers and point to the desired drivers.
10. For Windows 2000 and XP, you can provide location and descriptive information if desired.
11. On the Ready to Install screen, select Install and allow the installation to complete.

4 - Client-server printing via direct-connected shared printer

Client installation

Note Server installation must be completed (see configuration 3) before client installation can be performed.



- **Recommended when the printer has already been connected to the network and a print queue is shared from a network file/print server, or connected directly to a network PC and shared to other network PC clients.**
- Run the CD that came with the printer on the client PC to enable printing.
- Information required during software setup:
 - UNC (Universal Naming Convention) name for the shared printer
 - Example:
`\\server_name\sharename\path\filename`

Installation steps:

1. Insert the CD that came with the printer. The software installer should start without assistance. If it does not, browse to setup.exe in the root directory of the CD, and double-click on it.
2. Select the language you would like the installer to display, and accept the License Agreement.
3. On the Printer Connection screen, select **Connected via the network**.
4. On the Printers Found screen, select the printer to be installed.
5. On the Installation Type screen, select **Typical Installation** to install the typical software. To install the minimum set of drivers and software, select **Minimum Installation**. If you want to select the software to be installed, select **Custom Installation**.
6. On the Ready to Install screen, select Install and allow the installation to complete.

Manually configuring an IP address

The printer can automatically find an IP address from your network BootP/DHCP server, or it can be configured from software. But if you wish to assign a particular IP address to your printer, you can configure an IP address manually from the printer control panel.

1. Press the **Menu** button on the printer control panel and locate the **JETDIRECT** menu. Typically, you will select the **CONFIGURE DEVICE** menu, then the **I/O** menu, and then the **JETDIRECT** menu.
2. In the **JETDIRECT** menu, select the **TCP/IP** menu, the **CONFIG METHOD** menu, and then select **MANUAL**. A **MANUAL SETTINGS** item is added to the **TCP/IP** menu.
3. Use the **MANUAL SETTINGS** menu and your control panel keys to set the values for **IP ADDRESS**, **SUBNET MASK**, **DEFAULT GATEWAY**, **SYSLOG SERVER**, and **IDLE TIMEOUT**.

Creating a printer port while the printer is not connected to the network

Note This feature is only supported on an IP network.

To create a printer port when the printer is not currently connected to the network, but will be at a later time, have the following information available:

- Printer name or IP address
- Port name
- Device type

Installation steps:

1. Insert the CD that came with the printer. The software installer should start without assistance. If it does not, browse to setup.exe in the root directory of the CD, and double-click on it.
2. Select the language you would like the installer to display, and accept the License Agreement.
3. On the Printer Connection screen, select **Connected via the network**.
4. Let the software search for a printer on the network. When the Printer Not Found dialog appears, select Next. Choose Enter Settings for a Printer Not on the Network and select Next. On the Printer Settings screen, identify the printer by either specifying the hardware or an IP address.
5. On the Set Port Name screen, select the port name or use the default.
6. On the Printer Name screen, assign the printer a name to be used in the Printers folder.
7. If you are sharing the printer with other PCs that are running operating systems different than the PC you are using, add these drivers on the Client Driver Support screen after the printer is installed.
 - To add drivers for sharing with different operating systems, highlight the printer and select File, Properties. On the Sharing tab, select Additional Drivers and point to the desired drivers.
8. For Windows 2000 and XP, you can provide location and descriptive information if desired.
9. On the Ready to Install screen, select Install and allow the installation to complete.
10. When you are ready to use the printer, you must connect it to the network.

Windows® 操作系统网络共享打印机安装指南

HP 建议您使用随打印机附带的 CD 中包含的 HP 软件安装程序，通过使用本文介绍的网络配置来安装打印机。但不要求使用此安装程序来安装其它打印机软件。

也可以使用“添加打印机向导”来设置这些配置，但本文不包含如何使用这种方法进行设置的说明。有关这些说明和使用安装程序的详细信息，请参阅随打印机附带的 CD 中的《用户指南》。该 CD 还提供了适用于其它操作系统的说明。除外，其中的《HP Jetdirect 管理员指南》和《安装说明》提供了其它指导信息。

可能的网络配置

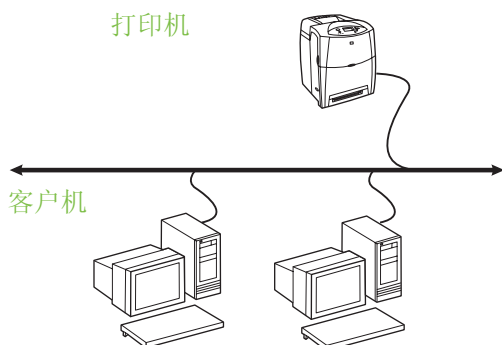
有四种可能的网络打印机配置：

1. 打印机直接接入网络（直接模式或对等打印）。每个网络用户直接打印到打印机网卡的网络地址。
2. 打印机直接接入网络，并在网络文件/打印服务器上配置了共享打印队列（客户机 - 服务器打印）。此共享打印队列通过网络端口以假脱机方式直接发送至打印机。
3. 打印机直接连接到作为打印服务器的 PC，并且允许在网络中与 PC 客户机共享该打印机。
4. PC 客户机连接至已经安装在网络中的打印机，或者连接至从另一台 PC 客户机或文件 / 打印服务器共享的打印队列。

以下各部分提供有关各种网络配置的信息以及基本安装信息。

1 - 直接模式或对等打印

打印机直接接入网络，所有 PC 或客户机直接打印到该打印机。



- 建议用于包括 10 到 20 个用户的团体或小型办公室。

- 需要通过网络连接打印机或者使用内部或外部打印服务器。如果打印机不满足上述条件，则使用下面的第 3 种配置。

安装概述：

- 硬件安装 - 使用网络电缆直接将打印机接入网络。
- 运行随打印机附带的 CD，为每台 PC 执行下列步骤以使它们能够打印。
- 软件安装必需信息 - 打印机配置页的第 2 页中的打印机硬件或 IP 地址。有关如何打印配置页的说明，请参阅 CD 中的《用户指南》。

安装步骤：

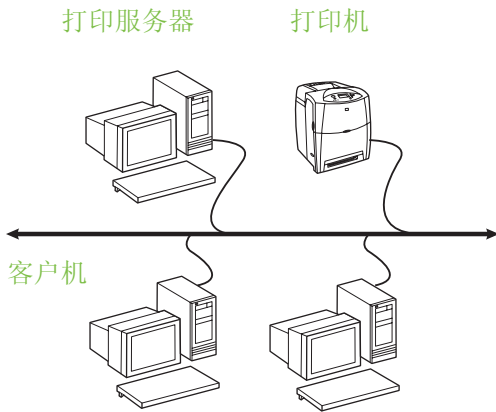
1. 打印配置页，并注意第二页上 TCP-IP 下的 IP 地址。有关如何打印配置页的说明请参阅 CD 中的《用户指南》。如果 IP 地址为 0.0.0.0，则等待初始化完成（2 或 3 分钟），然后打印另一份配置页。如果仍未在网络上找到有效的 IP 地址，则将自动分配默认 IP 地址（192.0.0.192 或 169.254.x.x）。如果要使用打印机控制面板分配一个特殊的 IP 地址，请参阅本文结尾处的说明。
2. 插入随打印机附带的 CD。无需执行任何操作，软件安装程序便会自动启动。如果程序未启动，请浏览至 CD 根目录下的 setup.exe，并双击该文件。
3. 选择希望安装程序显示的语言并接受许可证协议。
4. 在“打印机连接”屏幕中，选择 **Connected via the network**（通过网络连接）。
5. 在“已找到打印机”屏幕上，选择要安装的打印机。
6. 在“确认设置”屏幕上，验证打印机设置。

注：要手动更改打印机的 IP 地址，请在“确认设置”屏幕上选择“更改设置”，然后按照提示进行操作。

7. 在“安装类型”屏幕上，选择**典型安装**以安装典型软件。要安装驱动程序和软件的最小组合，请选择**最小安装**。如果希望选择要安装的软件，请选择**自定义安装**。
8. 在“打印机名称”屏幕上，指定要在“打印机”文件夹中使用的打印机名称。
9. 对于 Windows 2000 和 XP，可以根据需要提供位置和描述性信息。
10. 在“准备安装”屏幕上，选择“安装”，并完成安装。

2 - 通过连接网络端口的共享打印队列的客户端-服务器打印

打印机直接接入网络，并在网络文件 / 打印服务器上创建打印队列。然后，由该服务器管理打印。



- 建议用于包括 30 个以上用户的较大工作组。允许管理员控制客户机的打印机驱动程序设置。
- 需要通过网络连接打印机或者使用内部或外部打印服务器。如果打印机没有网络连接，则使用下面的第 3 种配置。
- 安装概述：
 - 硬件安装 - 使用网络电缆直接将打印机接入网络。
 - 在服务器 PC 上运行随打印机附带的 CD 以使这些 PC 能够打印。
- 软件安装必需信息：
 - 参阅打印机配置页的第 2 页来确定打印机的硬件或 IP 地址。有关如何打印配置页的说明，请参阅 CD 中的《用户指南》。
 - 确定打印机的共享名。

安装步骤：

1. 打印配置页，并注意第二页上 TCP-IP 下面的 IP 地址。有关如何打印配置页的说明，请参阅 CD 中的《用户指南》。如果 IP 地址为 0.0.0.0，则等待初始化完成（2 或 3 分钟），然后打印另一份配置页。如果仍未在网络上找到有效的 IP 地址，则将自动分配默认 IP 地址（192.0.0.192 或 169.254.x.x）。如果要使用打印机控制面板分配一个特殊的 IP 地址，请参阅本文结尾处的说明。
2. 插入随打印机附带的 CD。无需执行任何操作，软件安装程序便会自动启动。如果程序未启动，请浏览至 CD 根目录下的 setup.exe，并双击该文件。
3. 选择希望安装程序显示的语言并接受许可证协议。

4. 在“打印机连接”屏幕中，选择 **Connected via the network**（通过网络连接）。
5. 在“确认设置”屏幕上，验证打印机设置。

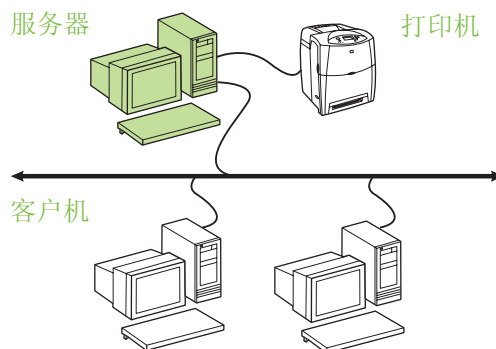
注： 要手动更改打印机的 IP 地址，请在“确认设置”屏幕上选择“更改设置”，然后按照提示进行操作。

6. 在“安装类型”屏幕上，选择**典型安装**以安装典型软件。要安装驱动程序和软件的最小组合，请选择**最小安装**。如果希望选择要安装的软件，请选择**自定义安装**。
7. 在“打印机名称”屏幕上，指定要在“打印机”文件夹中使用的打印机名称。
8. 在 **Printer Sharing**（打印机共享）屏幕中，单击 **Printer Sharing**（打印机共享）按钮，然后按照提示进行操作。
9. 如果要与其共享打印机的其它 PC 运行的操作系统与您正在使用的 PC 运行的操作系统不同，则在安装打印机后，在“客户机驱动程序支持”屏幕中添加适用于这些操作系统的驱动程序。
 - 要添加驱动程序以与不同的操作系统共享打印机，请突出显示该打印机，然后选择“文件”、“属性”。在“共享”选项卡上，选择“其它驱动程序”，然后指向所需的驱动程序。
10. 对于 Windows 2000 和 XP，可以根据需要提供位置和描述性信息。
11. 在“准备安装”屏幕上，选择“安装”，并完成安装。

3 - 通过直接连接共享打印机的客户端-服务器打印

服务器安装

通过使用 USB 或并行电缆将打印机直接连接到 PC，并与网络中的其它 PC 或客户机共享该打印机。



- 建议用于不具备网络连接的打印机。

- 要求使用并行电缆或 USB 电缆将打印机直接连接到 PC。
- 安装概述：
 - 硬件安装 - 用并行电缆或 USB 电缆将打印机直接连接到 PC。
 - 在服务器 PC 上运行随打印机附带的 CD 以使这些 PC 能够打印。
- 软件安装必需信息 - 确定打印机的共享名。

安装步骤：

1. 插入随打印机附带的 CD。无需执行任何操作，软件安装程序便会自动启动。如果程序未启动，请浏览至 CD 根目录下的 **setup.exe**，并双击该文件。
2. 选择希望安装程序显示的语言并接受许可证协议。
3. 在“打印机连接”屏幕中，选择 **直接连接计算机**。
4. 在 **Connector Type**（连接器类型）屏幕中，选择用于连接打印机的电缆类型。
5. 在“确认设置”屏幕上，验证打印机设置。

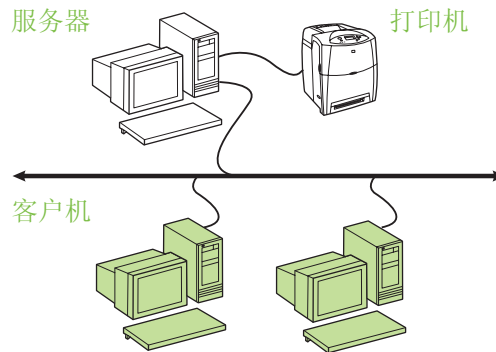
注： 要手动更改打印机的 IP 地址，请在“确认设置”屏幕上选择“更改设置”，然后按照提示进行操作。

6. 在“安装类型”屏幕上，选择**典型安装**以安装典型软件。要安装驱动程序和软件的最小组合，请选择**最小安装**。如果希望选择要安装的软件，请选择**自定义安装**。
7. 在“打印机名称”屏幕上，指定要在“打印机”文件夹中使用的打印机名称。
8. 在 **Printer Sharing**（打印机共享）屏幕中，单击 **Printer Sharing**（打印机共享）按钮，然后按照提示进行操作。
9. 如果要与其共享打印机的其它 PC 运行的操作系统与您在使用的 PC 运行的操作系统不同，则在安装打印机后，在“客户机驱动程序支持”屏幕中添加适用于这些操作系统的驱动程序。
 - 要添加驱动程序以与不同的操作系统共享打印机，请突出显示该打印机，然后选择“文件”、“属性”。在“共享”选项卡上，选择“其它驱动程序”，然后指向所需的驱动程序。
10. 对于 Windows 2000 和 XP，可以根据需要提供位置和描述性信息。
11. 在“准备安装”屏幕上，选择“安装”，并完成安装。

4 - 通过直接连接共享打印机的客户机 - 服务器打印

客户机安装

注： 必须在完成服务器安装之后才可以进行客户机安装（请参阅第 3 种配置）。



- 建议在打印机已连接到网络并且从网络文件 / 打印服务器共享了打印队列，或者已直接连接到网络 PC 并且共享至其它网络 PC 客户机时，进行客户机安装。
- 在客户机 PC 上运行随打印机附带的 CD 以使这些 PC 能够打印。
- 软件安装必需信息：
 - 共享打印机的 UNC 名称（通用命名约定）
 - 例如：`\\server_name\sharename\path\filename`

安装步骤：

1. 插入随打印机附带的 CD。无需执行任何操作，软件安装程序便会自动启动。如果程序未启动，请浏览至 CD 根目录下的 **setup.exe**，并双击该文件。
2. 选择希望安装程序显示的语言并接受许可证协议。
3. 在“打印机连接”屏幕中，选择 **Connected via the network**（通过网络连接）。
4. 在“已找到打印机”屏幕上，选择要安装的打印机。
5. 在“安装类型”屏幕上，选择**典型安装**以安装典型软件。要安装驱动程序和软件的最小组合，请选择**最小安装**。如果希望选择要安装的软件，请选择**自定义安装**。
6. 在“准备安装”屏幕上，选择“安装”，并完成安装。

手动配置 IP 地址

打印机可以从网络 BootP/DHCP 服务器上自动查找 IP 地址，或者可以从软件进行配置。但是如果您希望给打印机分配一个特殊的 IP 地址，则可以从打印机控制面板手动配置该 IP 地址。

1. 在打印机控制面板上按下**菜单**按钮，然后找到 **JETDIRECT** 菜单。通常依次选择**配置设备、I/O** 和 **JETDIRECT** 菜单。
 2. 在 **JETDIRECT** 菜单上，依次选择 **TCP/IP** 和 **配置方法** 菜单，然后选择**手动**。此时，**手动设置**项即添加到了 **TCP/IP** 菜单中。
 3. 使用**手动设置**菜单和控制面板键来设置 **IP 地址、子网掩码、默认网关、系统记录服务器**和**空闲超时的值**。
7. 如果要与其共享打印机的其它 PC 运行的操作系统与您正在使用的 PC 运行的操作系统不同，则在安装打印机后，在“客户机驱动程序支持”屏幕中添加适用于这些操作系统的驱动程序。
 - 要添加驱动程序以与不同的操作系统共享打印机，请突出显示该打印机，然后选择“文件”、“属性”。在“共享”选项卡上，选择“其它驱动程序”，然后指向所需的驱动程序。
 8. 对于 Windows 2000 和 XP，可以根据需要提供位置和描述性信息。
 9. 在“准备安装”屏幕上，选择“安装”，并完成安装。
 10. 准备使用打印机时，必须将它连接至网络。

打印机未连接到网络时创建打印机端口

注： 此功能仅在 IP 网络上受支持。

要在打印机当前未连接至网络（但稍后将连接到网络）时创建打印机端口，需要提供以下信息：

- 打印机名称或 IP 地址
- 端口名称
- 设备类型

安装步骤：

1. 插入随打印机附带的 CD。无需执行任何操作，软件安装程序便会自动启动。如果程序未启动，请浏览至 CD 根目录下的 **setup.exe**，并双击该文件。
2. 选择希望安装程序显示的语言并接受许可证协议。
3. 在“打印机连接”屏幕中，选择 **Connected via the network**（通过网络连接）。
4. 让软件搜索网络中的打印机。当显示“未找到打印机”对话框时，选择“下一步”。选择“输入设置以搜索未联网的打印机”，然后选择“下一步”。在“打印机设置”屏幕上，通过指定硬件或 IP 地址来识别打印机。
5. 在“设置端口名称”屏幕上，选择端口名称或使用默认值。
6. 在“打印机名称”屏幕上，指定要在“打印机”文件夹中使用的打印机名称。

ネットワークで共有するプリンタのインストールガイド (Windows® オペレーティングシステム用)

プリンタのセットアップには、プリンタ付属の CD に収録されている HP ソフトウェア インストーラを使用してください。ネットワーク構成は、このマニュアルに説明されているものを使用してください。このインストーラを使用すると、その他のプリンタ ソフトウェアをインストールする必要はありません。

[プリンタの追加ウィザード] を使用したセットアップも可能ですが、その方法の説明はこのマニュアルには含まれていません。これらの手順およびインストーラの詳しい使用手順については、プリンタに付属の CD に収録されている『ユーザーズガイド』を参照してください。他のオペレーティングシステムの場合の手順も収録されています。付属の CD に収録されている『HP Jetdirect 管理者用ガイド』および『インストールノート』にも補足説明があります。

可能なネットワーク構成

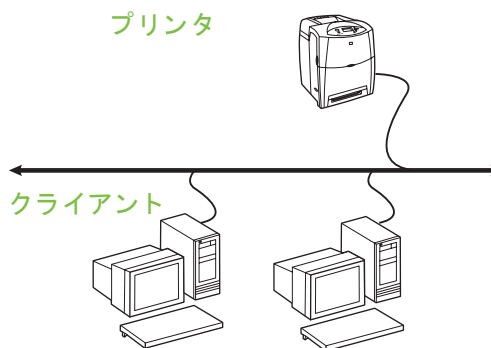
次の 4 通りのネットワーク プリンタ設定が可能です。

1. プリンタをネットワークに直接接続する (ネットワーク直結モードまたはピアツーピア印刷)。ネットワークのユーザーは、プリンタのネットワークカードのネットワーク アドレスに印刷ジョブを直接送ります。
2. プリンタをネットワークに直接接続し、印刷キューをネットワーク上の共有ファイル / プリント サーバーに設定する (クライアント / サーバー印刷)。この共有印刷キューはネットワーク ポートを通じてプリンタに直接スプールします。
3. プリンタをプリント サーバーとして機能する PC に直接接続して、ネットワーク上で PC クライアントがプリンタを共有できるようにする。
4. PC クライアントはネットワーク上に既にセットアップされているプリンタに接続するか、または他の PC クライアントやファイル / プリント サーバー上の共有印刷キューに接続する。

次のセクションでは、各ネットワーク設定について説明し、インストールの基本情報を提供します。

1 - ネットワーク直結モードまたはピアツーピア印刷

プリンタはネットワークに直結され、すべての PC またはクライアントがプリンタで直接印刷します。



- ユーザーが 10 ~ 20 人のグループや小規模オフィスにお勧めします。
- プリンタのネットワーク接続か、内蔵または外付けプリント サーバーが必要です。プリンタにネットワーク接続がない場合は、後述の構成 3 を参照してください。
- インストールの概要：
 - ハードウェアのセットアップ：ネットワーク ケーブルでネットワークにプリンタを直結します。
 - プリンタに付属の CD を実行し、PC ごとに次の手順を実行して、印刷できるようにします。
 - ソフトウェア セットアップ中に必要な情報：プリンタのハードウェアまたは IP アドレス。これはプリンタ設定ページの 2 ページ目にあります。設定ページの印刷方法に関する説明は、付属の CD に収録されている『ユーザーズガイド』を参照してください。

インストール手順：

1. 設定ページを印刷して、2 ページ目の TCP/IP の下にある IP アドレスを調べます。設定ページの印刷方法に関する説明は、付属の CD に収録されている『ユーザーズガイド』を参照してください。IP アドレスが 0.0.0.0 になっている場合は、初期化が完了するまで 2～3 分待ってから、設定ページを再度印刷します。それでも有効な IP アドレスがネットワーク上で見つからない場合、デフォルトの IP アドレス (192.0.0.192 または 169.254.x.x) が自動的に割り当てられます。プリンタのコントロールパネルを使用して特定の IP アドレスを割り当てるには、このマニュアルの終わりにある説明を参照してください。
2. プリンタに付属の CD を挿入します。ソフトウェアインストーラが自動的に起動します。自動的に起動しない場合は、CD のルートディレクトリにある setup.exe を探してダブルクリックしてください。
3. インストーラの表示言語を選択し、使用許諾契約に同意します。
4. [プリンタの接続] 画面で、[ネットワークを介して接続] を選択します。
5. [検出されたプリンタ] 画面で、インストールするプリンタを選択します。
6. [設定の確認] 画面で、プリンタの設定を確認します。

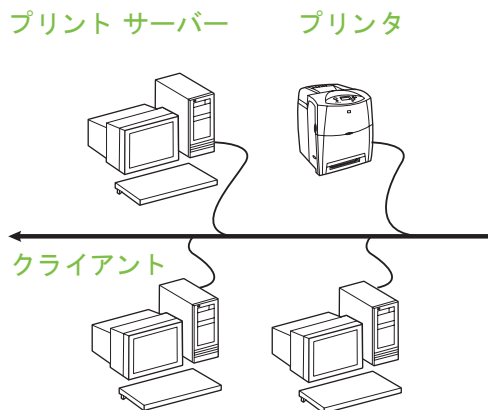
注記

プリンタの IP アドレスを手動で変更するには、[設定の確認] 画面で、[設定の変更] を選択します。

7. 標準ソフトウェアをインストールするには、[インストールのタイプ] 画面で、[標準インストール] を選択します。最小限必要なドライバとソフトウェアのセットをインストールするには、[最小インストール] を選択します。インストールするソフトウェアを選択するには、[カスタムインストール] を選択します。
8. [プリンタ名] 画面で、プリンタに [プリンタ] フォルダで使用する名前を付けます。
9. Windows 2000 および XP では、必要に応じて場所と詳細情報を入力できます。
10. [インストール準備完了] 画面で、[インストール] を選択してインストールを完了します。

2 - ネットワークポート接続の共有印刷キューを介したクライアント/サーバー印刷

プリンタをネットワークに直接接続し、印刷キューをネットワーク上のファイル/プリントサーバーに作成します。サーバーが印刷を管理します。



- 30人以上の大規模なワークグループにお勧めします。管理者がクライアントプリンタのドライバ設定を管理できます。
- プリンタのネットワーク接続か、内蔵または外付けプリントサーバーが必要です。プリンタにネットワーク接続がない場合は、後述の構成3を参照してください。
- インストールの概要：
 - ハードウェアのセットアップ：ネットワークケーブルでネットワークにプリンタを直結します。
 - サーバーのPCでプリンタに付属のCDを実行して、印刷できるようにします。
- ソフトウェアのセットアップ時に必要な情報：
 - プリンタの設定ページの2ページ目にある、プリンタのハードウェアまたはIPアドレスを調べます。設定ページの印刷方法については、CDに収録されているプリンタの『ユーザーズガイド』を参照してください。
 - プリンタの共有名を決めます。

インストール手順：

1. 設定ページを印刷して、2 ページ目の TCP/IP の下にある IP アドレスを調べます。設定ページの印刷方法については、CD に収録されているプリンタの『ユーザーズガイド』を参照してください。IP アドレスが 0.0.0.0 になっている場合は、初期化が完了するまで 2 ～ 3 分待ってから、設定ページを再度印刷します。それでも有効な IP アドレスがネットワーク上で見つからない場合、デフォルトの IP アドレス (192.0.0.192 または 169.254.x.x) が自動的に割り当てられます。プリンタのコントロールパネルを使用して特定の IP アドレスを割り当てるには、このマニュアルの終わりにある説明を参照してください。
2. プリンタに付属の CD を挿入します。ソフトウェアインストーラが自動的に起動します。自動的に起動しない場合は、CD のルートディレクトリにある setup.exe を探してダブルクリックしてください。
3. インストーラの表示言語を選択し、使用許諾契約に同意します。
4. [プリンタの接続] 画面で、[ネットワークを介して接続] を選択します。
5. [設定の確認] 画面で、プリンタの設定を確認します。

注記

プリンタの IP アドレスを手動で変更するには、[設定の確認] の画面で、[設定の変更] を選択します。

6. 標準ソフトウェアをインストールするには、[インストールのタイプ] 画面で、[標準インストール] を選択します。最小限必要なドライバとソフトウェアのセットをインストールするには、[最小インストール] を選択します。インストールするソフトウェアを選択するには、[カスタムインストール] を選択します。
7. [プリンタ名] 画面で、プリンタに [プリンタ] フォルダで使用する名前を付けます。
8. [プリンタの共有] 画面で、[プリンタの共有] ボタンをクリックしてプロンプトに従います。
9. 使用している PC とは異なるオペレーティングシステムを実行している他の PC とプリンタを共有する場合は、プリンタをインストールした後、[クライアントドライバのサポート] 画面で、そのオペレーティングシステムのドライバを追加します。

- 異なるオペレーティングシステム用のドライバを追加するには、プリンタをハイライトして、[ファイル]、[プロパティ] の順に選択します。[共有] タブで、[追加のドライバ] を選択し、インストールするドライバをポイントします。

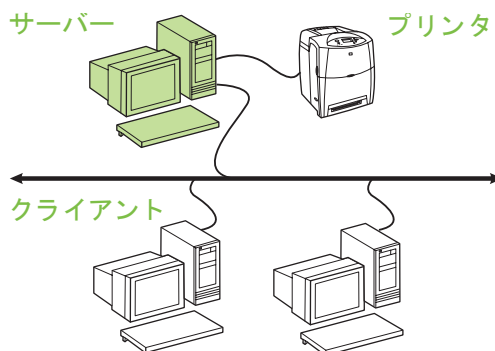
10. Windows 2000 および XP では、必要に応じて場所と詳細情報を入力できます。

11. [インストール準備完了] 画面で、[インストール] を選択してインストールを完了します。

3 - 直結の共有プリンタを介したクライアント/サーバー印刷

サーバーのインストール

USB ケーブルまたはパラレル ケーブルでプリンタを直接 PC に接続し、ネットワーク上の他の PC またはクライアントと共有します。



- ネットワーク接続を持たないプリンタにお勧めします。
- パラレル ケーブルまたは USB ケーブルでプリンタを PC に直結する必要があります。
- インストールの概要：
 - ハードウェアのセットアップ：パラレル ケーブルまたは USB ケーブルで PC にプリンタを直結します。
 - サーバーの PC でプリンタに付属の CD を実行して、印刷できるようにします。
- ソフトウェアのセットアップ時に必要な情報：プリンタの共有名を決めます。

インストール手順：

1. プリンタに付属の CD を挿入します。ソフトウェア インストーラが自動的に起動します。自動的に起動しない場合は、CD のルート ディレクトリにある setup.exe を探してダブルクリックしてください。
2. インストーラの表示言語を選択し、使用許諾契約に同意します。
3. [プリンタの接続] 画面で、[このコンピュータに直接接続] を選択します。
4. [コネクタの種類] 画面で、プリンタを接続するときに使用するケーブルの種類を選択します。
5. [設定の確認] 画面で、プリンタの設定を確認します。

注記

プリンタの IP アドレスを手動で変更するには、[設定の確認] 画面で、[設定の変更] を選択します。

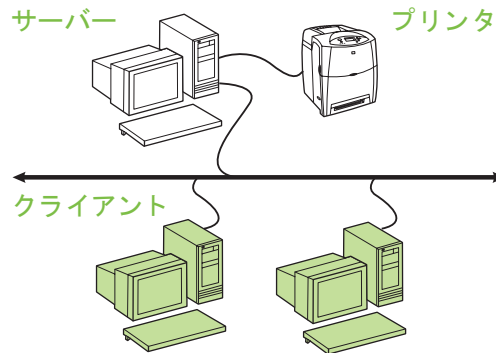
6. 標準ソフトウェアをインストールするには、[インストールのタイプ] 画面で、[標準インストール] を選択します。最小限必要なドライバとソフトウェアのセットをインストールするには、[最小インストール] を選択します。インストールするソフトウェアを選択するには、[カスタム インストール] を選択します。
7. [プリンタ名] 画面で、プリンタに [プリンタ] フォルダで使用する名前を付けます。
8. [プリンタの共有] 画面で、[プリンタの共有] ボタンをクリックしてプロンプトに従います。
9. 使用している PC とは異なるオペレーティングシステムを実行している他の PC とプリンタを共有する場合は、プリンタをインストールした後、[クライアント ドライバのサポート] 画面で、そのオペレーティング システムのドライバを追加します。
 - 異なるオペレーティング システム用のドライバを追加するには、プリンタをハイライトして、[ファイル]、[プロパティ] の順に選択します。[共有] タブで、[追加のドライバ] を選択し、インストールするドライバをポイントします。
10. Windows 2000 および XP では、必要に応じて場所と詳細情報を入力できます。
11. [インストール準備完了] 画面で、[インストール] を選択してインストールを完了します。

4 - 直結の共有プリンタでのクライアント/サーバー印刷

クライアントのインストール

注記

クライアントのインストールを行う前にサーバーのインストール (構成 3 を参照) を完了してください。



- プリンタが既に、ネットワークに接続され印刷キューがネットワーク ファイル / プリント サーバーで共有されている場合、またはプリンタがネットワーク PC に直接接続され他のネットワーク PC と共有されている場合にお勧めします。
- クライアントの PC でプリンタに付属の CD を実行して、印刷できるようにします。
- ソフトウェアのセットアップ時に必要な情報：
 - UNC (Universal Naming Convention) に従った共有プリンタの名前
 - 例：\\server_name\sharename\path\filename

インストール手順：

1. プリンタに付属の CD を挿入します。ソフトウェア インストーラが自動的に起動します。自動的に起動しない場合は、CD のルート ディレクトリにある setup.exe を探してダブルクリックしてください。
2. インストーラの表示言語を選択し、使用許諾契約に同意します。
3. [プリンタの接続] 画面で、[ネットワークを介して接続] を選択します。
4. [検出されたプリンタ] 画面で、インストールするプリンタを選択します。

- 標準ソフトウェアをインストールするには、[インストールのタイプ] 画面で、[標準インストール] を選択します。最小限必要なドライバとソフトウェアのセットをインストールするには、[最小インストール] を選択します。インストールするソフトウェアを選択するには、[カスタム インストール] を選択します。
- [インストール準備完了] 画面で、[インストール] を選択してインストールを完了します。

IP アドレスの手動設定

プリンタはネットワーク上の BootP/DHCP サーバーから自動的に IP アドレスを取得できるようになっています。ソフトウェアから設定することもできます。特定の IP アドレスをプリンタに割り当てる必要がある場合、プリンタのコントロール パネルから IP アドレスを手動設定することができます。

- プリンタのコントロール パネルで [メニュー] ボタンを押して [Jetdirect] メニューを表示します。通常、[デバイスの設定] メニュー、[I/O] メニュー、[Jetdirect] メニューの順に選択します。
- [Jetdirect] メニューで、[TCP/IP] メニュー、[設定方法] メニュー、[手動] の順に選択します。[手動設定] 項目が [TCP/IP] メニューに追加されます。
- [手動設定] メニューとコントロール パネル キーを使用して [IP アドレス]、[サブネット マスク]、[デフォルトのゲートウェイ]、[SYSLOG サーバー]、および [アイドル タイムアウト] の値を設定します。

プリンタがネットワークに接続されていないときのプリンタ ポートの作成

注記 これは IP ネットワークでのみ可能です。

プリンタがまだネットワークに接続されておらず、後で接続する場合に備えてプリンタ ポートを作成するには、次の情報を用意してください。

- プリンタ名または IP アドレス
- ポート名
- デバイスのタイプ

インストール手順：

- プリンタに付属の CD を挿入します。ソフトウェア インストーラが自動的に起動します。自動的に起動しない場合は、CD のルート ディレクトリにある setup.exe を探してダブルクリックしてください。
- インストーラの表示言語を選択し、使用許諾契約に同意します。
- [プリンタの接続] 画面で、[ネットワークを介して接続] を選択します。
- ソフトウェアにネットワーク上のプリンタを検索させます。[プリンタが検出されませんでした] ダイアログが表示されたら、[次へ] をクリックします。[ネットワーク上にないプリンタの設定値を入力] を選択して [次へ] をクリックします。[プリンタの設定] 画面で、プリンタのハードウェアまたは IP アドレスを使用してプリンタを指定します。
- [ポート名の設定] 画面で、ポート名を選択するか、デフォルトを使用します。
- [プリンタ名] 画面で、プリンタに [プリンタ] フォルダで使用する名前を付けます。
- 使用している PC とは異なるオペレーティング システムを実行している他の PC とプリンタを共有する場合は、プリンタをインストールした後、[クライアント ドライバのサポート] 画面で、そのオペレーティング システムのドライバを追加します。
 - 異なるオペレーティング システム用のドライバを追加するには、プリンタをハイライトして、[ファイル]、[プロパティ] の順に選択します。[共有] タブで、[追加のドライバ] を選択し、インストールするドライバをポイントします。
- Windows 2000 および XP では、必要に応じて場所と詳細情報を入力できます。
- [インストール準備完了] 画面で、[インストール] を選択してインストールを完了します。
- プリンタを使用するには、プリンタをネットワークに接続する必要があります。

Windows® OS용 네트워크 및 공유 프린터 설치 안내서

HP 소프트웨어 설치 프로그램(CD에 포함)을 사용하여 본 안내서에서 설명한 네트워크 구성에 맞게 프린터를 설정할 것을 권장합니다. 이 설치 프로그램을 사용하여 다른 프린터 소프트웨어를 추가로 설치할 필요는 없습니다.

이러한 네트워크 구성은 프린터 추가 마법사를 사용하여 설정할 수도 있지만 그 방법은 본 안내서에서 설명하지 않습니다. 프린터 추가 마법사를 사용한 구성 설정 방법과 설치 프로그램 사용 방법에 대한 자세한 내용은 프린터와 함께 제공된 CD에 들어 있는 *사용 설명서*를 참조하십시오. 사용 설명서에는 기타 운영 체제에 대한 지침도 나와 있습니다. CD에 역시 들어 있는 HP JetDirect 관리 설명서와 설치 노트에도 추가 지침이 나와 있습니다.

가능한 네트워크 구성

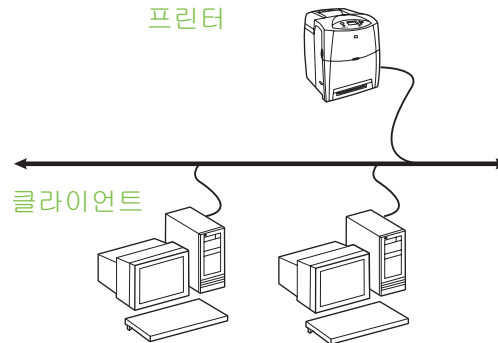
다음과 같은 네 가지 네트워크 프린터 구성이 가능합니다.

1. 네트워크에 프린터를 직접 연결(직접 모드 또는 피어투피어 인쇄). 각 네트워크 사용자는 프린터 네트워크 카드의 네트워크 주소로 직접 인쇄합니다.
2. 공유 인쇄 대기열이 네트워크 파일/프린트 서버(클라이언트-서버 인쇄)에 구성되어 있는 네트워크에 프린터를 직접 연결. 공유 인쇄 대기열이 네트워크 포트를 통해 프린터로 직접 스푼합니다.
3. 네트워크에 PC 클라이언트 공유를 가능하게 하여 프린트 서버 역할을 하는 PC에 프린터를 직접 연결.
4. 네트워크 상에 이미 설정된 프린터에 PC 클라이언트를 연결하거나 다른 PC 클라이언트 또는 파일/프린트 서버와 공유된 인쇄 대기열에 PC 클라이언트를 연결.

다음 단원에서는 위의 네 가지 네트워크 구성을 각각 설명하고 기본 설치 방법을 설명합니다.

1 - 직접 모드 또는 피어투피어 인쇄

네트워크에 프린터가 직접 연결되어 있고 모든 PC 또는 클라이언트가 프린터로 직접 인쇄합니다.



- 10~20명 정도의 사용자 그룹이나 소규모 사무실에 적합합니다.
- 프린터에 네트워크가 연결되어 있거나 내장형 또는 외장형 프린트 서버가 필요합니다. 프린터에 네트워크가 연결되어 있지 않을 경우 아래 3번 구성을 사용하십시오.
- 설치 개요:
 - 하드웨어 설정 - 네트워크 케이블을 사용하여 프린터를 직접 네트워크에 연결합니다.
 - 프린터와 함께 제공된 CD의 설치 프로그램을 각 PC마다 실행하여 아래의 단계에 따라 인쇄 기능을 설정합니다.
 - 소프트웨어 설정 중 필요한 정보 - 프린터 하드웨어 또는 IP 주소는 프린터 구성 페이지 중 2페이지에서 확인합니다. 구성 페이지 인쇄 방법은 CD에 들어 있는 *사용 설명서*를 참조하십시오.

설치 단계:

1. 구성 페이지를 인쇄하고 TCP-IP의 2페이지에 나와 있는 IP 주소를 참고하십시오. 구성 페이지 인쇄 방법은 CD에 들어 있는 *사용 설명서*를 참조하십시오. IP 주소가 0.0.0.0인 경우 2-3분 동안 초기화한 다음 구성 페이지를 한번 더 인쇄하십시오. 네트워크에서 유효한 IP 주소를 찾을 수 없는 경우 기본 IP 주소(192.0.0.192 또는 169.254.x.x)가 자동으로 지정됩니다. 프린터 제어판을 사용하여 특정 IP 주소를 지정하려면 본 안내서 마지막에 나와 있는 지침을 참조하십시오.
2. 프린터와 함께 제공된 CD를 넣습니다. 소프트웨어 설치 프로그램이 자동으로 시작됩니다. 소프트웨어 설치 프로그램이 시작되지 않으면, CD의 루트 디렉터리에 있는 **setup.exe**를 찾아서 더블 클릭합니다.

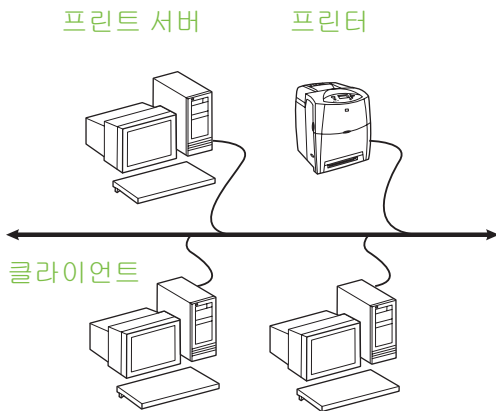
3. 설치 프로그램을 표시할 언어를 선택한 후 사용권 계약서에 동의합니다.
4. 프린터 연결 화면에서 **네트워크를 통해 연결**을 선택합니다.
5. 프린터를 찾을 화면에서 설치할 프린터를 선택합니다.
6. 설정 확인 화면에서 프린터 설정을 확인합니다.

참고 프린터의 IP 주소를 수동으로 변경하려면 설정 확인 화면의 설정 변경을 선택하고 도움말을 따릅니다.

7. 설치 유형 화면에서 **일반 설치**를 선택하여 일반 소프트웨어를 설치합니다. 최소한의 드라이버 및 소프트웨어를 설치하려면 **최소 설치**를 선택합니다. 설치할 소프트웨어를 선택하려면 **사용자 정의 설치**를 선택합니다.
8. 프린터 이름 화면에서 프린터 폴더에 사용할 프린터 이름을 지정합니다.
9. Windows 2000과 XP에서는 원할 경우 위치와 설명을 입력할 수 있습니다.
10. 설치 준비 화면에서 설치를 선택하여 설치를 완료합니다.

2 - 네트워크 포트에 연결된 공유 인쇄 대기열을 통한 클라이언트-서버 인쇄

프린터가 네트워크에 직접 연결되고 인쇄 대기열이 네트워크 파일/프린트 서버에서 생성합니다. 서버에서 인쇄 작업을 관리합니다.



- 사용자가 30명 이상인 대규모 작업그룹에 적합합니다. 관리자가 클라이언트 프린터 드라이버 설정을 관리할 수 있습니다.

- 프린터에 네트워크가 연결되어 있거나 내장형 또는 외장형 프린트 서버가 필요합니다. 프린터에 네트워크가 연결되어 있지 않을 경우 아래 3번 구성을 사용하십시오.

- 설치 개요:
 - 하드웨어 설정 - 네트워크 케이블을 사용하여 프린터를 직접 네트워크에 연결합니다.
 - 프린터와 함께 제공된 CD를 서버 PC에서 실행하여 인쇄 기능을 설정합니다.

- 소프트웨어 설정 중 필요한 정보:
 - 프린터 구성 페이지 중 2페이지에서 프린터의 하드웨어 또는 IP 주소를 확인합니다. 구성 페이지 인쇄 방법은 CD에 들어 있는 *사용 설명서*를 참조하십시오.
 - 프린터 공유 이름을 결정합니다.

설치 단계:

1. 구성 페이지를 인쇄하고 **TCP-IP**의 2페이지에 있는 IP 주소를 참고하십시오. 구성 페이지 인쇄 방법은 CD에 들어 있는 *사용 설명서*를 참조하십시오. IP 주소가 0.0.0.0인 경우 2-3분 동안 초기화한 다음 다른 구성 페이지를 인쇄하십시오. 네트워크에서 유효한 IP 주소를 찾을 수 없는 경우 기본 IP 주소(192.0.0.192 또는 169.254.x.x)가 자동으로 지정됩니다. 프린터 제어판을 사용하여 특정 IP 주소를 지정하려면 본 안내서 마지막에 나와 있는 지침을 참조하십시오.
2. 프린터와 함께 제공된 CD를 넣습니다. 소프트웨어 설치 프로그램이 자동으로 시작됩니다. 소프트웨어 설치 프로그램이 시작되지 않으면, CD의 루트 디렉터리에 있는 **setup.exe**를 찾아서 더블 클릭합니다.
3. 설치 프로그램을 표시할 언어를 선택한 후 사용권 계약서에 동의합니다.
4. 프린터 연결 화면에서 **네트워크를 통해 연결**을 선택합니다.
5. 설정 확인 화면에서 프린터 설정을 확인합니다.

참고 프린터 IP 주소를 수동으로 변경하려면 설정 확인 화면의 설정 변경을 선택하고 도움말을 따릅니다.

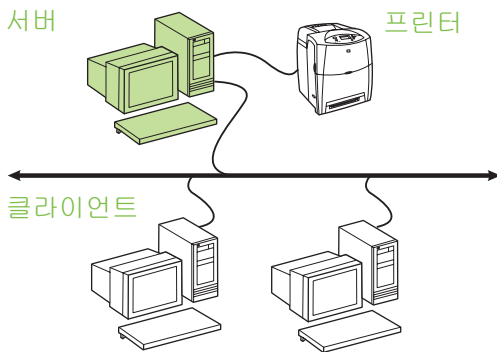
6. 설치 유형 화면에서 **일반 설치**를 선택하여 일반 소프트웨어를 설치합니다. 최소한의 드라이버 및 소프트웨어를 설치하려면 **최소 설치**를 선택합니다. 설치할 소프트웨어를 선택하려면 **사용자 정의 설치**를 선택합니다.
7. 프린터 이름 화면에서 프린터 폴더에 사용할 프린터 이름을 지정합니다.

8. 프린터 공유 화면에서 프린터 공유 버튼을 클릭하고 도움말을 따릅니다.
9. 사용 중인 PC와 운영 체제가 서로 다른 PC와 프린터를 공유하는 경우 프린터를 설치한 다음 클라이언트 드라이버 지원 화면에서 해당 운영 체제 드라이버를 추가합니다.
 - 운영 체제가 서로 다른 PC와 프린터를 공유하기 위해 드라이버를 추가하는 경우 공유할 프린터를 강조 표시하고 파일, 등록 정보를 선택합니다. 공유 탭에서 추가 드라이버를 선택하고 원하는 드라이버를 선택합니다.
10. Windows 2000과 XP에서는 원할 경우 위치와 설명을 입력할 수 있습니다.
11. 설치 준비 화면에서 설치를 선택하여 설치를 완료합니다.

3 - 직접 연결된 공유 프린터를 통한 클라이언트-서버 인쇄

서버 설치

프린터가 USB 또는 병렬 케이블을 통해 PC에 직접 연결되고 네트워크 상의 다른 PC나 클라이언트와 공유됩니다.



- 네트워크에 연결되지 않은 프린터에 적합합니다.
- 병렬 또는 USB 케이블을 통해 프린터가 PC에 직접 연결되어야 합니다.
- 설치 개요:
 - 하드웨어 설정 - 병렬 또는 USB 케이블로 PC에 프린터를 직접 연결합니다.
 - 프린터와 함께 제공된 CD를 서버 PC에서 실행하여 인쇄 기능을 설정합니다.
- 소프트웨어 설정 중 필요한 정보 - 프린터 공유 이름을 결정합니다.

설치 단계:

1. 프린터와 함께 제공된 CD를 넣습니다. 소프트웨어 설치 프로그램이 자동으로 시작됩니다. 소프트웨어 설치 프로그램이 시작되지 않으면, CD의 루트 디렉터리에 있는 **setup.exe**를 찾아서 더블 클릭합니다.
2. 설치 프로그램을 표시할 언어를 선택한 후 사용권 계약서에 동의합니다.
3. 프린터 연결 화면에서 **이 컴퓨터에 직접 연결**을 선택합니다.
4. 커넥터 유형 화면에서 프린터 연결에 사용한 케이블 유형을 선택합니다.
5. 설정 확인 화면에서 프린터 설정을 확인합니다.

참고

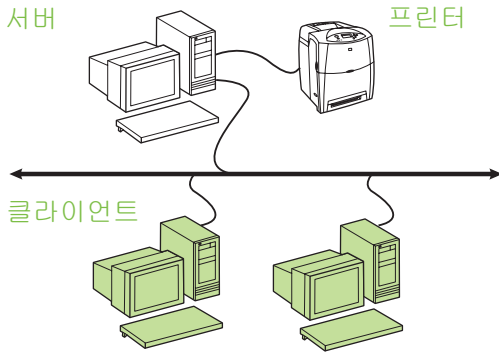
프린터 IP 주소를 수동으로 변경하려면 설정 확인 화면의 설정 변경을 선택하고 도움말을 따릅니다.

6. 설치 유형 화면에서 **일반 설치**를 선택하여 일반 소프트웨어를 설치합니다. 최소한의 드라이버 및 소프트웨어를 설치하려면 **최소 설치**를 선택합니다. 설치할 소프트웨어를 선택할 경우 **사용자 정의 설치**를 선택합니다.
7. 프린터 이름 화면에서 프린터 폴더에 사용할 프린터 이름을 지정합니다.
8. 프린터 공유 화면에서 프린터 공유 버튼을 클릭하고 도움말을 따릅니다.
9. 사용 중인 PC와 운영 체제가 서로 다른 PC와 프린터를 공유하는 경우 프린터를 설치한 다음 클라이언트 드라이버 지원 화면에서 해당 운영 체제 드라이버를 추가합니다.
 - 운영 체제가 서로 다른 PC와 프린터를 공유하기 위해 드라이버를 추가하는 경우 공유할 프린터를 강조 표시하고 파일, 등록 정보를 선택합니다. 공유 탭에서 추가 드라이버를 선택하고 설치할 드라이버를 선택합니다.
10. Windows 2000과 XP에서는 원할 경우 위치와 설명을 입력할 수 있습니다.
11. 설치 준비 화면에서 설치를 선택하여 설치를 완료합니다.

4 - 직접 연결된 공유 프린터를 통한 클라이언트-서버 인쇄

클라이언트 설치

참고 서버 설치를 완료(3번 구성 참조)해야 클라이언트를 설치할 수 있습니다.



- 프린터가 네트워크에 이미 연결되고 인쇄 대기열이 네트워크 파일/프린트 서버와 공유되었거나, 또는 프린터가 네트워크 PC에 직접 연결되고 다른 네트워크 PC 클라이언트와 공유되었을 때 적합합니다.
- 프린터와 함께 제공된 CD를 클라이언트 PC에서 실행하여 인쇄 기능을 설정합니다.
- 소프트웨어 설정 중 필요한 정보:
 - 공유 컴퓨터의 UNC (Universal Naming Convention) 이름
 - 예: \\server_name\sharename\path\filename

설치 단계a:

1. 프린터와 함께 제공된 CD를 넣습니다. 소프트웨어 설치 프로그램이 자동으로 시작됩니다. 소프트웨어 설치 프로그램이 시작되지 않으면, CD의 루트 디렉터리에 있는 **setup.exe**를 찾아서 더블 클릭합니다.
2. 설치 프로그램을 표시할 언어를 선택한 후 사용권 계약서에 동의합니다.
3. 프린터 연결 화면에서 **네트워크를 통해 연결**을 선택합니다.
4. 프린터를 찾을 화면에서 설치할 프린터를 선택합니다.
5. 설치 유형 화면에서 **일반 설치**를 선택하여 일반 소프트웨어를 설치합니다. 최소한의 드라이버 및 소프트웨어를 설치하려면 **최소 설치**를 선택합니다. 설치할 소프트웨어를 선택할 경우 **사용자 정의 설치**를 선택합니다.

6. 설치 준비 화면에서 설치를 선택하여 설치를 완료합니다.

IP 주소 수동 구성

프린터가 네트워크 BootP/DHCP 서버에서 자동으로 IP 주소를 찾거나 또는 소프트웨어에서 구성할 수 있습니다. 그러나 프린터에 특정 IP 주소를 지정하려면 프린터 제어판에서 IP 주소를 수동으로 구성할 수 있습니다.

1. 프린터 제어판의 **메뉴** 단추를 누르고 **JETDIRECT** 메뉴를 찾습니다. 일반적으로 **디바이스 구성** 메뉴를 선택하고 **입출력** 메뉴를 선택한 다음 **JETDIRECT** 메뉴를 선택합니다.
2. **JETDIRECT** 메뉴에서 **TCP/IP** 메뉴와 **방법 설정** 메뉴를 선택한 다음 **수동**을 선택합니다. 수동 설정 항목이 **TCP/IP** 메뉴에 추가됩니다.
3. 수동 설정 메뉴 및 제어판 키를 사용하여 **IP 주소**, **서브넷 마스크**, **기본 게이트웨이**, **SYSLOG** 서버 및 대기 시간 **초과**의 값을 설정합니다.

프린터가 네트워크에 연결되지 않은 경우 프린터 포트 생성

참고 이 기능은 IP 네트워크에서만 지원됩니다.

프린터가 네트워크에 연결되어 있지 않지만 나중에 연결되는 경우 프린터 포트를 생성하려면 다음 정보가 필요합니다.

- 프린터 이름 또는 IP 주소
- 포트 이름
- 디바이스 유형

설치 단계:

1. 프린터와 함께 제공된 CD를 넣습니다. 소프트웨어 설치 프로그램이 자동으로 시작됩니다. 소프트웨어 설치 프로그램이 시작되지 않으면, CD의 루트 디렉터리에 있는 **setup.exe**를 찾아서 더블 클릭합니다.
2. 설치 프로그램을 표시할 언어를 선택한 후 사용권 계약서에 동의합니다.
3. 프린터 연결 화면에서 **네트워크를 통해 연결**을 선택합니다.
4. 소프트웨어가 네트워크에서 프린터를 검색합니다. 프린터를 찾을 수 없음 대화상자가 나타나면 다음을 선택합니다. 네트워크에 없는 프린터의 설정 입력을 고르고 다음을 선택합니다. 프린터 설정 화면에서 하드웨어 또는 **IP** 주소를 지정하여 프린터를 확인합니다.

5. 포트 이름 설정 화면에서 포트 이름을 선택하거나 기본 포트를 사용합니다.
6. 프린터 이름 화면에서 프린터 폴더에 사용할 프린터 이름을 지정합니다.
7. 사용 중인 PC와 운영 체제가 서로 다른 PC와 프린터를 공유하는 경우 프린터를 설치한 다음 클라이언트 드라이버 지원 화면에서 해당 운영 체제 드라이버를 추가합니다.
 - 운영 체제가 서로 다른 PC와 프린터를 공유하기 위해 드라이버를 추가하는 경우 공유할 프린터를 강조 표시하고 파일, 등록 정보를 선택합니다. 공유 탭에서 추가 드라이버를 선택하고 원하는 드라이버를 선택합니다.
8. Windows 2000과 XP에서는 원할 경우 위치와 설명을 입력할 수 있습니다.
9. 설치 준비 화면에서 설치를 선택하여 설치를 완료합니다.
10. 프린터를 사용할 준비가 되면 프린터를 네트워크에 연결합니다.

คู่มือติดตั้งเครื่องพิมพ์แบบใช้งานร่วมกันและเครือข่ายสำหรับระบบปฏิบัติการ Windows®

HP ขอแนะนำให้ท่านใช้โปรแกรมติดตั้งซอฟต์แวร์ของ HP ที่อยู่ในแผ่นซีดี ซึ่งจัดส่งไปพร้อมกับเครื่องพิมพ์ เพื่อตั้งค่าเครื่องพิมพ์โดยใช้การกำหนดค่าเครือข่ายตั้งที่อธิบายไว้ในเอกสารฉบับนี้ ในการใช้ตัวติดตั้งนี้ ท่านไม่จำเป็นต้องติดตั้งซอฟต์แวร์เครื่องพิมพ์เพิ่มเติม

นอกจากนี้ ท่านยังสามารถตั้งการกำหนดค่าเหล่านี้โดยใช้ Add Printer Wizard แต่คำแนะนำเกี่ยวกับวิธีดังกล่าวไม่ได้รวมอยู่ในเอกสารฉบับนี้ โปรดดูคำแนะนำเหล่านี้และคำแนะนำอย่างละเอียดเพิ่มเติมในการใช้ตัวติดตั้งในคู่มือการใช้งาน ซึ่งมีอยู่ในแผ่นซีดีที่หามาพร้อมกับเครื่องพิมพ์ ท่านสามารถดูคำแนะนำสำหรับระบบปฏิบัติการอื่นๆได้ในคู่มือนี้ นอกจากนี้ ยังมีคำแนะนำเพิ่มเติมแสดงไว้ในคู่มือของผู้บริหารระบบ HP Jetdirect และหมายเหตุเกี่ยวกับการติดตั้งในแผ่นซีดี

การกำหนดค่าเครือข่ายที่สามารถใช้งานได้

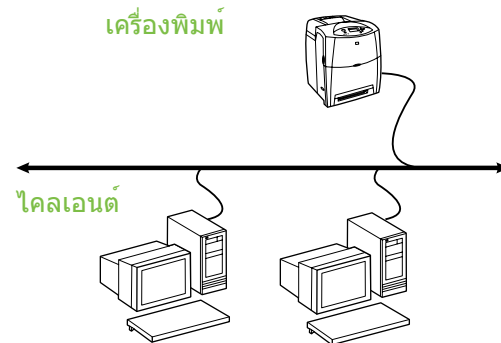
การกำหนดค่าเครื่องพิมพ์ในเครือข่ายที่สามารถใช้งานได้มี 4 แบบ ดังนี้:

1. เชื่อมต่อเครื่องพิมพ์โดยตรงกับเครือข่าย (โหมดต่อตรงหรือการพิมพ์แบบ peer-to-peer) ผู้ใช้เครือข่ายแต่ละรายจะพิมพ์โดยตรงไปยังแอตเดรสเครือข่ายของการ์ดเครือข่ายของเครื่องพิมพ์
2. เชื่อมต่อเครื่องพิมพ์โดยตรงกับเครือข่าย และตั้งค่าคิวการพิมพ์แบบใช้ร่วมกันบนเซิร์ฟเวอร์การพิมพ์/ไฟล์เครือข่าย (การพิมพ์แบบไคลเอนต์-เซิร์ฟเวอร์) คิวการพิมพ์ที่แบ่งใช้นี้จะพักรวมโดยตรงที่เครื่องพิมพ์ผ่านทางพอร์ตเครือข่าย
3. เชื่อมต่อเครื่องพิมพ์โดยตรงกับคอมพิวเตอร์ ที่ทำหน้าที่เป็นเซิร์ฟเวอร์การพิมพ์ อันจะช่วยให้สามารถแบ่งใช้เครื่องพิมพ์ร่วมกันกับเครื่องไคลเอนต์ในเครือข่ายได้
4. คอมพิวเตอร์เครื่องไคลเอนต์เชื่อมต่อกับเครื่องพิมพ์ที่ได้รับการตั้งค่าไว้แล้วบนเครือข่าย หรือเชื่อมต่อกับคิวการพิมพ์ ที่มีการแบ่งใช้จากคอมพิวเตอร์เครื่องไคลเอนต์หรือเซิร์ฟเวอร์การพิมพ์/เซิร์ฟเวอร์ไฟล์เครื่องอื่น

เนื้อหาในส่วนต่อไปนี้จะให้ข้อมูลเกี่ยวกับการกำหนดค่าเครือข่ายในแต่ละแบบ และให้ข้อมูลการติดตั้งขั้นพื้นฐาน

1 - โหมดต่อตรง หรือการพิมพ์แบบ peer-to-peer

เครื่องพิมพ์เชื่อมต่อเข้ากับเครือข่ายโดยตรง และคอมพิวเตอร์หรือไคลเอนต์ทั้งหมดพิมพ์ไปยังเครื่องพิมพ์โดยตรง



- แนะนำให้ใช้สำหรับกลุ่มผู้ใช้ 10 ถึง 20 ราย หรือสำนักงานขนาดเล็ก
- ต้องมีการเชื่อมต่อเครือข่ายกับเครื่องพิมพ์หรือเซิร์ฟเวอร์การพิมพ์ภายนอกหรือเซิร์ฟเวอร์การพิมพ์ภายใน หากเครื่องพิมพ์ไม่มีการเชื่อมต่อดังกล่าว ให้ใช้การกำหนดค่าแบบที่ 3 ดังที่แสดงด้านล่าง
- ภาพรวมการติดตั้ง:
 - การติดตั้งฮาร์ดแวร์ - เชื่อมต่อเครื่องพิมพ์เข้ากับเครือข่ายโดยตรงโดยใช้สายเคเบิลเครือข่าย
 - เรียกใช้แผ่นซีดีที่หามาพร้อมกับเครื่องพิมพ์ และปฏิบัติตามขั้นตอนด้านล่างสำหรับคอมพิวเตอร์ทุกเครื่อง เพื่อให้สามารถพิมพ์งานได้
 - ข้อมูลที่จำเป็นระหว่างการตั้งค่าซอฟต์แวร์ เช่น ฮาร์ดแวร์เครือข่าย หรือแอตเดรส IP จะมียูทิลิตี้ที่หน้า 2 ของหน้าการกำหนดค่าเครื่องพิมพ์ ส่วนคำแนะนำเกี่ยวกับวิธีพิมพ์หน้าการกำหนดค่าเครื่องพิมพ์ โปรดดูที่ คู่มือการใช้งาน ในแผ่นซีดี

ขั้นตอนการติดตั้ง:

1. พิมพ์หน้าการกำหนดค่าเครื่องพิมพ์ และบันทึกแอตเดรส IP ที่หน้าสอง ได้หัวข้อ TCP-IP ส่วนคำแนะนำเกี่ยวกับวิธีพิมพ์หน้าการกำหนดค่าเครื่องพิมพ์ โปรดดูที่ คู่มือการใช้งาน ในแผ่นซีดี หากแอตเดรส IP คือ 0.0.0.0 ให้รอจนกว่าการเริ่มต้นทำงานจะเสร็จสิ้น (2 หรือ 3 นาที) และพิมพ์หน้าการกำหนดค่าอีกหน้า หากยังคงไม่พบแอตเดรส IP ที่ถูกต้องในเครือข่าย แอตเดรส IP ที่เป็นค่าเริ่มต้น (192.0.0.192 หรือ 169.254.x.x) จะถูกกำหนดให้โดยอัตโนมัติ หากท่านต้องการกำหนดแอตเดรส IP เฉพาะ โดยใช้แฉงควบคุมของเครื่องพิมพ์ โปรดดูคำแนะนำที่ท้ายเอกสารนี้

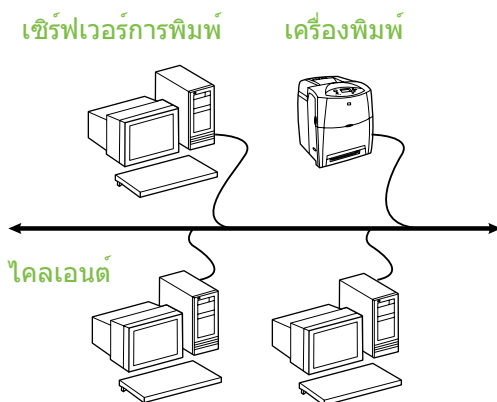
- ใส่แผ่นซีดีที่ให้มาพร้อมกับเครื่องพิมพ์ ตัวติดตั้งซอฟต์แวร์ควรจะเริ่มทำงานโดยอัตโนมัติ หากไม่เป็นเช่นนั้น ให้เรียกดูไฟล์ setup.exe ในไดเรกทอรีรากของแผ่นซีดี แล้วดับเบิลคลิกที่ไฟล์นี้
- เลือกภาษาที่ท่านต้องการใช้แสดงผลสำหรับตัวติดตั้ง จากนั้นยอมรับข้อตกลงว่าด้วยการอนุญาตให้ใช้ซอฟต์แวร์
- ในหน้าจอการเชื่อมต่อเครื่องพิมพ์ ให้เลือก **เชื่อมต่อผ่านเครือข่าย**
- ที่หน้าจอพบเครื่องพิมพ์ ให้เลือกเครื่องพิมพ์ที่จะติดตั้ง
- ที่หน้าจอยืนยันการตั้งค่า ให้ตรวจสอบการตั้งค่าเครื่องพิมพ์

หมายเหตุ หากต้องการเปลี่ยนแอดเดรส IP ของเครื่องพิมพ์ด้วยตนเอง ให้เลือก เปลี่ยนการตั้งค่า ที่หน้าจอยืนยันการตั้งค่า และปฏิบัติตามการแจ้งที่ระบุไว้

- ที่หน้าจอประเภทการติดตั้ง ให้เลือก **ติดตั้งตามปกติ** เพื่อติดตั้งซอฟต์แวร์แบบทั่วไป หากต้องการติดตั้งไดรเวอร์และซอฟต์แวร์จำนวนน้อยสุดเท่าที่จำเป็น ให้เลือก **ติดตั้งน้อยที่สุด** หากท่านต้องการเลือกซอฟต์แวร์ที่จะติดตั้ง ให้เลือก **ติดตั้งแบบกำหนดเอง**
- ที่หน้าจอชื่อเครื่องพิมพ์ ให้กำหนดชื่อของเครื่องพิมพ์ที่จะใช้ในโพลเดอร์เครื่องพิมพ์
- สำหรับ Windows 2000 และ XP ท่านสามารถป้อนข้อมูลตำแหน่งที่อยู่และคำอธิบายได้ตามต้องการ
- ที่หน้าจอพร้อมที่จะติดตั้ง ให้เลือก ติดตั้ง และปล่อยให้การติดตั้งดำเนินต่อไปจนเสร็จสิ้น

2 - การพิมพ์แบบไคลเอนต์-เซิร์ฟเวอร์ผ่านคิวการพิมพ์แบบใช้ร่วมกันที่เชื่อมต่อกับพอร์ตเครือข่าย

เชื่อมต่อเครื่องพิมพ์โดยตรงกับเครือข่าย และสร้างคิวการพิมพ์แบบใช้ร่วมกันบนเซิร์ฟเวอร์การพิมพ์/ไฟล์เครือข่าย จากนั้นเซิร์ฟเวอร์จะจัดการการพิมพ์



- แนะนำให้ใช้งานสำหรับกลุ่มผู้ใช้จำนวนเกินกว่า **30 คน** ให้ผู้ดูแลระบบเป็นผู้ควบคุมการตั้งค่าไดรเวอร์เครื่องพิมพ์ของไคลเอนต์

- ต้องมีการเชื่อมต่อเครือข่ายกับเครื่องพิมพ์หรือเซิร์ฟเวอร์การพิมพ์ภายนอกหรือเซิร์ฟเวอร์การพิมพ์ภายใน หากเครื่องพิมพ์ไม่มีการเชื่อมต่อเครือข่าย ให้ใช้การกำหนดค่าแบบที่ 3 ดังที่แสดงด้านล่าง

- ภาพรวมการติดตั้ง:

- การติดตั้งฮาร์ดแวร์ - เชื่อมต่อเครื่องพิมพ์เข้ากับเครือข่ายโดยตรงโดยใช้สายเคเบิลเครือข่าย
- เรียกใช้แผ่นซีดีที่ให้มาพร้อมกับเครื่องพิมพ์จากเครื่องคอมพิวเตอร์ที่เป็นเซิร์ฟเวอร์เพื่อให้สามารถพิมพ์งานได้

- ข้อมูลที่ต้องใช้ระหว่างการติดตั้งซอฟต์แวร์:

- เตรียมฮาร์ดแวร์ของเครื่องพิมพ์ หรือแอดเดรส IP โดยดูจากหน้า 2 ของหน้าการกำหนดค่าเครื่องพิมพ์ ส่วนคำแนะนำเกี่ยวกับวิธีพิมพ์หน้าการกำหนดค่าเครื่องพิมพ์ โปรดดูที่ *คู่มือการใช้งาน* ในแผ่นซีดี
- กำหนดชื่อเครื่องพิมพ์ที่แบ่งใช้

ขั้นตอนการติดตั้ง:

- พิมพ์หน้าการกำหนดค่าเครื่องพิมพ์ และบันทึกแอดเดรส IP ที่หน้าสอง ใต้หัวข้อ **TCP-IP** ส่วนคำแนะนำเกี่ยวกับวิธีพิมพ์หน้าการกำหนดค่าเครื่องพิมพ์ โปรดดูที่ *คู่มือการใช้งาน* ในแผ่นซีดี หากแอดเดรส IP คือ 0.0.0.0 ให้รอจนกว่าการเริ่มต้นทำงานจะเสร็จสิ้น (2 หรือ 3 นาที) และพิมพ์หน้าการกำหนดค่าอีกหน้า หากยังคงไม่พบแอดเดรส IP ที่ถูกต้องในเครือข่าย แอดเดรส IP ที่เป็นค่าเริ่มต้น (192.0.0.192 หรือ 169.254.x.x) จะถูกกำหนดให้โดยอัตโนมัติ หากท่านต้องการกำหนดแอดเดรส IP เฉพาะ โดยใช้แผงควบคุมของเครื่องพิมพ์ โปรดดูคำแนะนำที่ท้ายเอกสารนี้
- ใส่แผ่นซีดีที่ให้มาพร้อมกับเครื่องพิมพ์ ตัวติดตั้งซอฟต์แวร์ควรจะเริ่มทำงานโดยอัตโนมัติ หากไม่เริ่มต้น ให้เรียกดูไฟล์ setup.exe ในไดเรกทอรีรากของแผ่นซีดี แล้วดับเบิลคลิกที่ไฟล์นี้
- เลือกภาษาที่ท่านต้องการใช้แสดงผลสำหรับตัวติดตั้ง จากนั้นยอมรับข้อตกลงว่าด้วยการอนุญาตให้ใช้ซอฟต์แวร์
- ในหน้าจอการเชื่อมต่อเครื่องพิมพ์ ให้เลือก **เชื่อมต่อผ่านเครือข่าย**
- ที่หน้าจอยืนยันการตั้งค่า ให้ตรวจสอบการตั้งค่าเครื่องพิมพ์

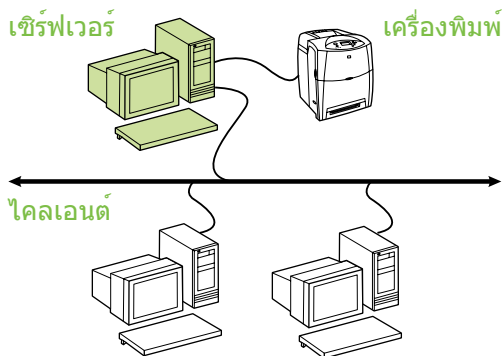
หมายเหตุ หากต้องการเปลี่ยนแอดเดรส IP ของเครื่องพิมพ์ด้วยตนเอง ให้เลือก เปลี่ยนการตั้งค่า ที่หน้าจอยืนยันการตั้งค่า และปฏิบัติตามการแจ้งที่ระบุไว้

6. ที่หน้าจอประเภทการติดตั้ง ให้เลือก **ติดตั้งตามปกติ** เพื่อติดตั้งซอฟต์แวร์แบบทั่วไป หากต้องการติดตั้งไดรเวอร์และซอฟต์แวร์จำนวนน้อยสุดเท่าที่จำเป็น ให้เลือก **ติดตั้งน้อยที่สุด** หากท่านต้องการเลือกซอฟต์แวร์ที่จะติดตั้ง ให้เลือก **ติดตั้งแบบกำหนดเอง**
7. ที่หน้าจอชื่อเครื่องพิมพ์ ให้กำหนดชื่อของเครื่องพิมพ์ที่จะใช้ในโพลเดอร์เครื่องพิมพ์
8. ที่หน้าจอ Printer Sharing (การแบ่งใช้เครื่องพิมพ์) ให้คลิกที่ปุ่ม Printer Sharing (การแบ่งใช้เครื่องพิมพ์) และปฏิบัติตามขอความที่แจ้ง
9. หากท่านกำลังแบ่งใช้เครื่องพิมพ์กับคอมพิวเตอร์เครื่องอื่นๆ ซึ่งใช้ระบบปฏิบัติการต่างจากคอมพิวเตอร์ที่ท่านใช้ ให้เพิ่มไดรเวอร์นี้ในหน้าจอการสนับสนุนไดรเวอร์ของไคลเอนต์ หลังจากติดตั้งเครื่องพิมพ์แล้ว
 - หากต้องการเพิ่มไดรเวอร์สำหรับการแบ่งใช้กับระบบปฏิบัติการอื่น ให้ทำแถบสว่างที่เครื่องพิมพ์นั้น และเลือกไฟล์, คุณสมบัติ ที่แท็บการใช้งานร่วมกัน ให้เลือกไดรเวอร์เพิ่มเติม และชี้ไปที่ไดรเวอร์ที่ต้องการ
10. สำหรับ Windows 2000 และ XP ท่านสามารถป้อนข้อมูลตำแหน่งที่อยู่และคำอธิบายได้ตามต้องการ
11. ที่หน้าจอพร้อมที่จะติดตั้ง ให้เลือก **ติดตั้ง** และปล่อยให้การติดตั้งดำเนินต่อไปจนเสร็จสิ้น

3 - การพิมพ์แบบไคลเอนต์-เซิร์ฟเวอร์ผ่านทางเครื่องพิมพ์แบบใช้ร่วมกันที่เชื่อมต่อโดยตรง

การติดตั้งเซิร์ฟเวอร์

เชื่อมต่อเครื่องพิมพ์โดยตรงกับคอมพิวเตอร์โดยใช้สายเคเบิล USB หรือสายเคเบิลแบบขนาน และแบ่งใช้ร่วมกับคอมพิวเตอร์หรือไคลเอนต์อื่นๆ ในเครือข่าย



- แนะนำให้ใช้สำหรับเครื่องพิมพ์ที่ไม่มีการเชื่อมต่อเครือข่าย
- จำเป็นต้องให้เครื่องพิมพ์เชื่อมต่อโดยตรงกับคอมพิวเตอร์ ทางสายเคเบิลแบบขนานหรือสายเคเบิล USB

- ภาพรวมการติดตั้ง:
 - การติดตั้งฮาร์ดแวร์ - เชื่อมต่อเครื่องพิมพ์เข้ากับคอมพิวเตอร์โดยตรงโดยใช้สายเคเบิลแบบขนานหรือสายเคเบิล USB
 - เรียกใช้แผ่นซีดีที่ให้มาพร้อมกับเครื่องพิมพ์จากเครื่องคอมพิวเตอร์ที่เป็นเซิร์ฟเวอร์เพื่อให้สามารถพิมพ์งานได้
- ข้อมูลที่ต้องใช้ระหว่างการติดตั้งซอฟต์แวร์ - กำหนดชื่อเครื่องพิมพ์ที่แบ่งใช้

ขั้นตอนการติดตั้ง:

1. ใส่แผ่นซีดีที่ให้มาพร้อมกับเครื่องพิมพ์ ตัวติดตั้งซอฟต์แวร์ควรจะเริ่มทำงานโดยอัตโนมัติ หากไม่เป็นเช่นนั้น ให้เรียกดูไฟล์ setup.exe ในไดเรกทอรีรากของแผ่นซีดี แล้วดับเบิลคลิกที่ไฟล์นี้
2. เลือกภาษาที่ท่านต้องการใช้แสดงผลสำหรับตัวติดตั้ง จากนั้นยอมรับข้อตกลงว่าด้วยการอนุญาตให้ใช้ซอฟต์แวร์
3. ในหน้าจอการเชื่อมต่อเครื่องพิมพ์ ให้เลือก **เชื่อมต่อเข้ากับคอมพิวเตอร์นี้โดยตรง**
4. ในหน้าจอ Connector Type (ชนิดของตัวเชื่อมต่อ) ให้เลือกชนิดของสายเคเบิลที่ใช้เชื่อมต่อเครื่องพิมพ์
5. ที่หน้าจอยืนยันการตั้งค่า ให้ตรวจสอบการตั้งค่าเครื่องพิมพ์

หมายเหตุ

หากต้องการเปลี่ยนแอดเดรส IP ของเครื่องพิมพ์ด้วยตนเอง ให้เลือก เปลี่ยนการตั้งค่า ที่หน้าจอยืนยันการตั้งค่า และปฏิบัติตามการแจ้งที่ระบุไว้

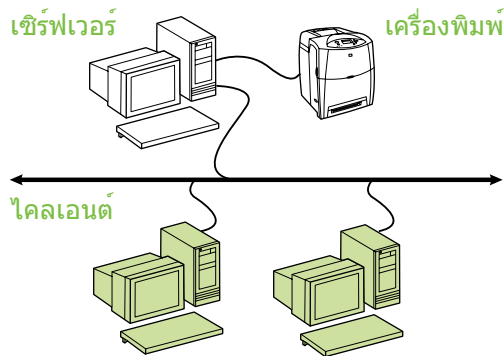
6. ที่หน้าจอประเภทการติดตั้ง ให้เลือก **ติดตั้งตามปกติ** เพื่อติดตั้งซอฟต์แวร์แบบทั่วไป หากต้องการติดตั้งไดรเวอร์และซอฟต์แวร์จำนวนน้อยสุดเท่าที่จำเป็น ให้เลือก **ติดตั้งน้อยที่สุด** หากท่านต้องการเลือกซอฟต์แวร์ที่จะติดตั้ง ให้เลือก **ติดตั้งแบบกำหนดเอง**
7. ที่หน้าจอชื่อเครื่องพิมพ์ ให้กำหนดชื่อของเครื่องพิมพ์ที่จะใช้ในโพลเดอร์เครื่องพิมพ์
8. ที่หน้าจอ Printer Sharing (การแบ่งใช้เครื่องพิมพ์) ให้คลิกที่ปุ่ม Printer Sharing (การแบ่งใช้เครื่องพิมพ์) และปฏิบัติตามขอความที่แจ้ง
9. หากท่านกำลังแบ่งใช้เครื่องพิมพ์กับคอมพิวเตอร์เครื่องอื่นๆ ซึ่งใช้ระบบปฏิบัติการต่างจากคอมพิวเตอร์ที่ท่านใช้ ให้เพิ่มไดรเวอร์นี้ในหน้าจอการสนับสนุนไดรเวอร์ของไคลเอนต์ หลังจากติดตั้งเครื่องพิมพ์แล้ว
 - หากต้องการเพิ่มไดรเวอร์สำหรับการแบ่งใช้กับระบบปฏิบัติการอื่น ให้ทำแถบสว่างที่เครื่องพิมพ์นั้น และเลือกไฟล์, คุณสมบัติ ที่แท็บการใช้งานร่วมกัน ให้เลือกไดรเวอร์เพิ่มเติม และชี้ไปที่ไดรเวอร์ที่ต้องการ

- สำหรับ Windows 2000 และ XP ท่านสามารถโอนข้อมูลตำแหน่งที่อยู่และคำอธิบายได้ตามต้องการ
- ที่หน้าจอพร้อมที่จะติดตั้ง ให้เลือก ติดตั้งและปล่อยให้การติดตั้งดำเนินต่อไปจนเสร็จสิ้น

4 - การพิมพ์แบบไคลเอนต์-เซิร์ฟเวอร์ผ่านทางเครื่องพิมพ์แบบใช้ร่วมกันที่เชื่อมต่อโดยตรง

การติดตั้งเครื่องไคลเอนต์

หมายเหตุ ต้องทำการติดตั้งเซิร์ฟเวอร์เสร็จสิ้นก่อน (ดูการกำหนดค่า 3) จึงจะสามารถดำเนินการติดตั้งเครื่องไคลเอนต์



- แนะนำให้ใช้เมื่อเครื่องพิมพ์เชื่อมต่ออยู่กับเครือข่ายอยู่แล้ว และมีการแบ่งใช้งานคิวการพิมพ์จากเซิร์ฟเวอร์การพิมพ์/เซิร์ฟเวอร์ไฟล์ในเครือข่ายหรือเชื่อมต่อโดยตรงกับคอมพิวเตอร์ในเครือข่ายและแบ่งใช้งานกับเครื่องคอมพิวเตอร์ไคลเอนต์เครื่องอื่นในเครือข่าย
- เรียกใช้แผ่นซีดีที่ให้มาพร้อมกับเครื่องพิมพ์จากคอมพิวเตอร์ที่เป็นเครื่องไคลเอนต์เพื่อให้สามารถพิมพ์งานได้
- ข้อมูลที่ต้องใช้ระหว่างการติดตั้งซอฟต์แวร์:
 - ชื่อ UNC (Universal Naming Convention) สำหรับเครื่องพิมพ์ที่แบ่งใช้งาน
 - ตัวอย่าง: \server_name\sharename\path\filename

ขั้นตอนการติดตั้ง:

- ใส่แผ่นซีดีที่ให้มาพร้อมกับเครื่องพิมพ์ ตัวติดตั้งซอฟต์แวร์ควรจะเริ่มทำงานโดยอัตโนมัติ หากไม่เป็นเช่นนั้น ให้เรียกดูไฟล์ setup.exe ในไดเรกทอรีรากของแผ่นซีดี แล้วดับเบิลคลิกที่ไฟล์นี้
- เลือกภาษาที่ท่านต้องการใช้แสดงผลสำหรับตัวติดตั้ง จากนั้นยอมรับข้อตกลงว่าด้วยการอนุญาตให้ใช้ซอฟต์แวร์

- ในหน้าจอการเชื่อมต่อเครื่องพิมพ์ ให้เลือก **เชื่อมต่อผ่านเครือข่าย**
- ที่หน้าจอพบเครื่องพิมพ์ ให้เลือกเครื่องพิมพ์ที่จะติดตั้ง
- ที่หน้าจอประเภทการติดตั้ง ให้เลือก **ติดตั้งตามปกติ** เพื่อติดตั้งซอฟต์แวร์แบบทั่วไป หากต้องการติดตั้งไดรเวอร์และซอฟต์แวร์จำนวนน้อยสุดเท่าที่จำเป็น ให้เลือก **ติดตั้งน้อยที่สุด** หากท่านต้องการเลือกซอฟต์แวร์ที่จะติดตั้ง ให้เลือก **ติดตั้งแบบกำหนดเอง**
- ที่หน้าจอพร้อมที่จะติดตั้ง ให้เลือก ติดตั้งและปล่อยให้การติดตั้งดำเนินต่อไปจนเสร็จสิ้น

การกำหนดแอดเดรส IP ด้วยตนเอง

เครื่องพิมพ์นี้สามารถค้นหาแอดเดรส IP ได้โดยอัตโนมัติจากเซิร์ฟเวอร์ BootP/DHCP ในเครือข่ายของท่าน หรือสามารถกำหนดค่าได้จากซอฟต์แวร์ แต่หากท่านต้องการกำหนดแอดเดรส IP โดยเฉพาะให้กับเครื่องพิมพ์ของท่าน ท่านสามารถกำหนดค่าแอดเดรส IP ด้วยตนเองจากแผงควบคุมของเครื่องพิมพ์

- กดปุ่ม **Menu** ที่แผงควบคุมของเครื่องพิมพ์ และค้นหาเมนู **JETDIRECT** โดยทั่วไป ท่านจะเลือกเมนู **CONFIGURE DEVICE** (กำหนดค่าอุปกรณ์) จากนั้นตามด้วยเมนู **I/O** (อินพุต/เอาต์พุต) และเมนู **JETDIRECT**
- ในเมนู **JETDIRECT** ให้เลือกเมนู **TCP/IP** ตามด้วย **CONFIG METHOD** (วิธีกำหนดค่า) จากนั้นเลือก **MANUAL** (กำหนดเอง) รายการ **MANUAL SETTINGS** (การตั้งค่าด้วยตนเอง) จะถูกเพิ่มในเมนู **TCP/IP**
- ใช้เมนู **MANUAL SETTINGS** (การตั้งค่าด้วยตนเอง) และปุ่มที่แผงควบคุมเพื่อตั้งค่าสำหรับ **IP ADDRESS** (IP แอดเดรส), **SUBNET MASK** (ซับเน็ตมาสก์), **DEFAULT GATEWAY** (เกตเวย์เริ่มต้น), **SYSLOG SERVER** (เซิร์ฟเวอร์ล็อกระบบ) และ **IDLE TIMEOUT** (เวลาก่อนพักทำงาน)

การสร้างพอร์ตเครื่องพิมพ์ขณะที่ไม่ได้เชื่อมต่อเครื่องพิมพ์กับเครือข่าย

หมายเหตุ คุณลักษณะนี้ได้รับการสนับสนุนบนเครือข่าย IP เท่านั้น

หากต้องการสร้างพอร์ตเครื่องพิมพ์เมื่อไม่ได้เชื่อมต่อเครื่องพิมพ์กับเครือข่ายในปัจจุบัน แต่จะเชื่อมต่อในภายหลัง ให้เตรียมข้อมูลต่อไปนี้ไว้ให้พร้อม:

- ชื่อเครื่องพิมพ์ หรือแอดเดรส IP
- ชื่อพอร์ต
- ประเภทอุปกรณ์

ขั้นตอนการติดตั้ง:

1. ใส่แผ่นซีดีที่ให้มาพร้อมกับเครื่องพิมพ์ ตัวติดตั้งซอฟต์แวร์ควรจะเริ่มทำงานโดยอัตโนมัติ หากไม่เป็นเช่นนั้น ให้เรียกดูไฟล์ setup.exe ในไดเรกทอรีรากของแผ่นซีดี แล้วดับเบิลคลิกที่ไฟล์นี้
2. เลือกภาษาที่ท่านต้องการใช้แสดงผลสำหรับตัวติดตั้ง จากนั้นยอมรับข้อตกลงว่าด้วยการอนุญาตให้ใช้ซอฟต์แวร์
3. ในหน้าจอการเชื่อมต่อเครื่องพิมพ์ ให้เลือก **เชื่อมต่อผ่านเครือข่าย**
4. ปล่อยให้ซอฟต์แวร์ค้นหาเครื่องพิมพ์บนเครือข่าย เมื่อกล่องโต้ตอบไม่พบเครื่องพิมพ์แสดงขึ้น ให้เลือก ถัดไป เลือกป้อนการตั้งค่าสำหรับเครื่องพิมพ์ที่ไม่อยู่ในเครือข่าย และเลือก ถัดไป ที่หน้าจอการตั้งค่าเครื่องพิมพ์ ให้ระบุเครื่องพิมพ์โดยระบุที่ฮาร์ดแวร์ หรือแอดเดรส IP
5. ที่หน้าจอตั้งชื่อพอร์ต ให้เลือกชื่อพอร์ตหรือใช้ค่าเริ่มต้น
6. ที่หน้าจอชื่อเครื่องพิมพ์ ให้กำหนดชื่อของเครื่องพิมพ์ที่จะใช้ในโพลเดอร์เครื่องพิมพ์
7. หากท่านกำลังแบ่งใช้เครื่องพิมพ์กับคอมพิวเตอร์เครื่องอื่นๆ ซึ่งใช้ระบบปฏิบัติการต่างจากคอมพิวเตอร์ที่ท่านใช้ ให้เพิ่มไดเรกทอรีในหน้าจอการสนับสนุนไดเรกทอรีของไคลเอนต์ หลังจากติดตั้งเครื่องพิมพ์แล้ว
 - หากต้องการเพิ่มไดเรกทอรีสำหรับการแบ่งใช้กับระบบปฏิบัติการอื่น ให้ทำแถบสว่างที่เครื่องพิมพ์นั้น และเลือกไฟล์, คุณสมบัติ ที่แท็บการใช้งานร่วมกัน ให้เลือกไดเรกทอรีเพิ่มเติม และชี้ไปที่ไดเรกทอรีที่ต้องการ
8. สำหรับ Windows 2000 และ XP ท่านสามารถป้อนข้อมูลตำแหน่งที่อยู่และคำอธิบายได้ตามต้องการ
9. ที่หน้าจอพร้อมที่จะติดตั้ง ให้เลือก ติดตั้ง และปล่อยให้การติดตั้งดำเนินต่อไปจนเสร็จสิ้น
10. เมื่อท่านพร้อมจะใช้เครื่องพิมพ์ ท่านต้องเชื่อมต่อเครื่องพิมพ์เข้ากับเครือข่าย

適用於 Windows® 作業系統的網路和共用印表機安裝指南

HP 建議您使用隨附於印表機之光碟的 HP 軟體安裝程式，採用本文件說明的網路組態安裝印表機。使用此安裝程式，就不需再安裝其他的印表機軟體。

您也可以使用「新增印表機精靈」來設定這些組態，但本文件不包括有關如何使用的說明。有關這些說明及如何使用安裝程式更詳細的資訊，請參閱印表機附送的光碟中的《使用指南》。您也可於該處找到有關其他作業系統的說明。光碟也包括《HP Jetdirect 管理員指南》和「安裝說明及注意事項」，提供額外的說明。

可能的網路組態

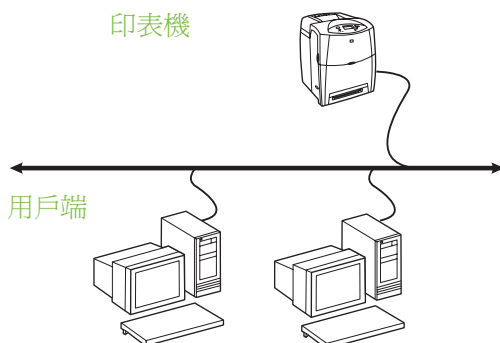
四種可能的網路印表機組態包括：

1. 印表機直接連線到網路（直接模式或對等式列印）。每一位網路使用者都可以直接列印到印表機網路卡的網路位址。
2. 印表機直接連線到網路，而共用列印佇列是在網路檔案/列印伺服器（用戶端伺服器列印）設定。此共用列印佇列會透過網路連接埠直接傳送到印表機。
3. 印表機直接與作為列印伺服器的電腦連接，可供網路上的個人電腦用戶端共用。
4. 個人電腦用戶端連線到已經在網路上設定好的印表機，或連線到從另一台個人電腦用戶端或檔案/列印伺服器共用的列印佇列。

以下部分說明有關每種網路組態的資訊，包括基本安裝資訊。

1 - 直接模式或對等式列印

印表機直接和網路連線，且所有電腦或用戶端都直接從該印表機列印。



- 建議 10 到 20 位的使用者群組或是小型辦公室使用。

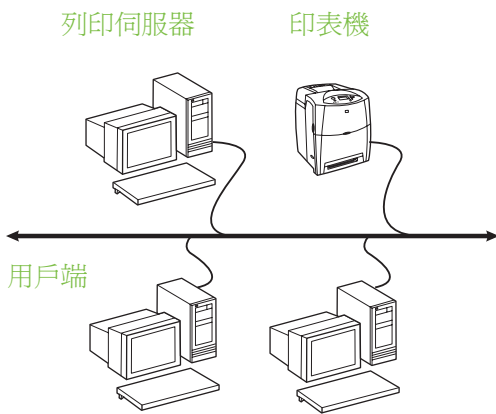
- 印表機、內建式或外接式列印伺服器必須和網路連線。若印表機不具備上述條件，請使用以下的組態 3。
- 安裝概述：
 - 硬體設定 - 使用網路電纜接通印表機和網路。
 - 執行印表機隨附的光碟，並依照以下步驟為**每台電腦**啟用列印。
 - 軟體安裝過程所需的資訊 - 印表機硬體或 IP 位址在印表機組態頁的第二頁。有關如何列印組態頁的說明，請參閱光碟中的《使用指南》。

安裝步驟：

1. 列印組態頁，並記錄第二頁 **TCP-IP** 下的 IP 位址。有關如何列印組態頁的說明，請參閱光碟中的《使用指南》。若 IP 位址是 0.0.0.0，請等候初始化完成（約 2 或 3 分鐘），然後列印另一份組態頁。若在網路上仍舊找不到有效的 IP 位址，會自動指定預設的 IP 位址（192.0.0.192 或 169.254.x.x）。若您想要使用印表機控制面板指定特定的 IP 位址，請參閱本文件結尾的說明。
 2. 插入印表機隨附的光碟。軟體安裝程式會自動啟動。如果沒有啟動，請瀏覽到光碟根目錄中的 **setup.exe**，然後對它連接兩下。
 3. 選擇您想要安裝程式顯示的語言，並接受「授權合約」。
 4. 在「印表機連線」畫面上，選擇**透過網路連接**。
 5. 在「找到印表機」畫面中，選取要安裝的印表機。
 6. 在「確認設定值」畫面中，檢查印表機設定值。
- 注意** 若要手動變更印表機的 IP 位址，請選擇「確認設定值」畫面的「變更設定值」，然後按照提示進行。
7. 在「安裝類型」畫面中，選擇**典型安裝**以安裝一般的軟體。若要安裝最少的驅動程式和軟體，請選擇**最小安裝**。若您想要選取安裝的軟體，請選擇**自訂安裝**。
 8. 在「印表機名稱」畫面中，指定要在印表機資料夾中使用的印表機名稱。
 9. 如果是 Windows 2000 和 XP，您可以根據喜好輸入位置和說明資訊。
 10. 在「準備安裝」畫面中，選取「安裝」讓安裝程序完成。

2 - 透過網路連接埠連接的共用列印佇列進行用戶端伺服器列印

印表機直接連線到網路，而列印佇列是在網路檔案/列印伺服器上建立。該伺服器會管理列印作業。



- 建議超過 30 位使用者的大型工作群組使用。可讓管理員控制用戶端印表機驅動程式設定。
- 印表機、內建式或外接式列印伺服器必須和網路連線。若印表機未與網路連線，請使用以下的組態 3。
- 安裝概述：
 - 硬體設定 - 使用網路電纜接通印表機和網路。
 - 在伺服器電腦上執行印表機隨附的光碟以啓用列印。
- 軟體安裝過程所需的資訊：
 - 印表機的硬體或 IP 位址在印表機組態頁的第二頁。有關如何列印組態頁的說明，請參閱光碟中的《使用指南》。
 - 決定印表機共用名稱。

安裝步驟：

1. 列印組態頁，並記錄第二頁 TCP-IP 下的 IP 位址。有關如何列印組態頁的說明，請參閱光碟中的《使用指南》。若 IP 位址是 0.0.0.0，請等候初始化完成（約 2 或 3 分鐘），然後列印另一份組態頁。若在網路上仍舊找不到有效的 IP 位址，會自動指定預設的 IP 位址（192.0.0.192 或 169.254.x.x）。若您想要使用印表機控制面板指定特定的 IP 位址，請參閱本文件結尾的說明。
2. 插入印表機隨附的光碟。軟體安裝程式會自動啓動。如果沒有啓動，請瀏覽到光碟根目錄中的 setup.exe，然後對它連接兩下。
3. 選擇您想要安裝程式顯示的語言，並接受「授權合約」。
4. 在「印表機連線」畫面上，選擇透過網路連接。

5. 在「確認設定值」畫面中，檢查印表機設定值。

注意

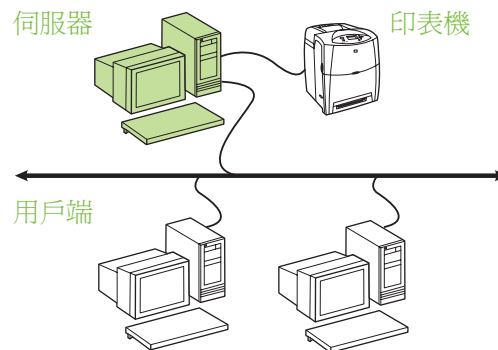
若要手動變更印表機的 IP 位址，請選擇「確認設定值」畫面的「變更設定值」，然後按照提示進行。

6. 在「安裝類型」畫面中，選擇**典型安裝**以安裝一般的軟體。若要安裝最少的驅動程式和軟體，請選擇**最小安裝**。若您想要選取安裝的軟體，請選擇**自訂安裝**。
7. 在「印表機名稱」畫面中，指定要在印表機資料夾中使用的印表機名稱。
8. 在「印表機共用」畫面中，按一下「印表機共用」按鈕並按照提示進行。
9. 若您正和其他與您所使用的作業系統不相同的個人電腦共用印表機，請在印表機安裝完成後，在「用戶端驅動程式支援」畫面新增這些驅動程式。
 - 若要新增驅動程式以便和不同作業系統共用，請反白顯示印表機，然後選取「檔案」，「內容」。在「共用」標籤上，選取「其他驅動程式」並指向想要的印表機。
10. 如果是 Windows 2000 和 XP，您可以根據喜好輸入位置和說明資訊。
11. 在「準備安裝」畫面中，選取「安裝」讓安裝程序完成。

3 - 透過直接連接的共用印表機進行用戶端伺服器列印

伺服器安裝程序

印表機使用 USB 或並列電纜直接連接電腦，並開放給網路上的其他電腦或用戶端共用。



- 建議不具備網路連線的印表機使用。
- 印表機必須使用並列或 USB 電纜，直接與電腦連接。

- 安裝概述：
 - 硬體設定 - 使用並列或 USB 電纜直接連接印表機和電腦。
 - 在伺服器電腦上執行印表機隨附的光碟以啓用列印。
- 軟體安裝過程所需的資訊 - 決定印表機共用名稱。

安裝步驟：

1. 插入印表機隨附的光碟。軟體安裝程式會自動啓動。如果沒有啓動，請瀏覽到光碟根目錄中的 **setup.exe**，然後對它連接兩下。
2. 選擇您想要安裝程式顯示的語言，並接受「授權合約」。
3. 在「印表機連線」畫面上，選擇直接連接到這部電腦。
4. 在「連接器類型」畫面上，選擇用來連接印表機的電纜類型。
5. 在「確認設定值」畫面中，檢查印表機設定值。

注意

若要手動變更印表機的 IP 位址，請選擇「確認設定值」畫面的「變更設定值」，然後按照提示進行。

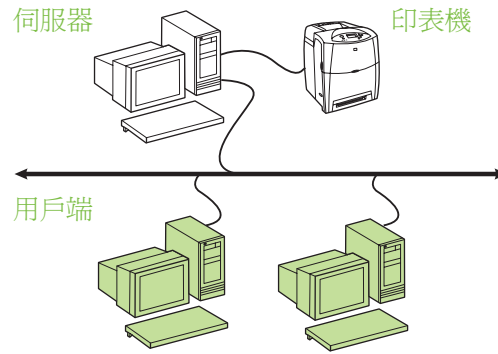
6. 在「安裝類型」畫面中，選擇**典型安裝**以安裝一般的軟體。若要安裝最少的驅動程式和軟體，請選擇**最小安裝**。若您想要選取安裝的軟體，請選擇**自訂安裝**。
7. 在「印表機名稱」畫面中，指定要在印表機資料夾中使用的印表機名稱。
8. 在「印表機共用」畫面中，按一下「印表機共用」按鈕並按照提示進行。
9. 若您正和其他與您所使用的作業系統不相同的個人電腦共用印表機，請在印表機安裝完成後，在「用戶端驅動程式支援」畫面新增這些驅動程式。
 - 若要新增驅動程式以便和不同作業系統共用，請反白顯示印表機，然後選取「檔案」，「內容」。在「共用」標籤上，選取「其他驅動程式」並指向想要的印表機。
10. 如果是 Windows 2000 和 XP，您可以根據喜好輸入位置和說明資訊。
11. 在「準備安裝」畫面中，選取「安裝」讓安裝程序完成。

4 - 透過直接連接的共用印表機進行用戶端伺服器列印

用戶端安裝程序

注意

在執行用戶端安裝程序之前，必須先完成伺服器安裝程序（請參閱組態 3）。



- 當印表機已連接到網路而由網路檔案 / 列印伺服器共用列印佇列，或者當印表機直接連接到網路上的電腦並與其他網路電腦用戶端共用時，建議採用此種組態。
- 在用戶端電腦上執行印表機隨附的光碟以啓用列印。
- 軟體安裝過程所需的資訊：
 - 共用印表機的 UNC（通用命名慣例）名稱
 - 範例：\\伺服器名稱\共用名稱\路徑\檔案名稱

安裝步驟：

1. 插入印表機隨附的光碟。軟體安裝程式會自動啓動。如果沒有啓動，請瀏覽到光碟根目錄中的 **setup.exe**，然後對它連接兩下。
2. 選擇您想要安裝程式顯示的語言，並接受「授權合約」。
3. 在「印表機連線」畫面上，選擇**透過網路連接**。
4. 在「找到印表機」畫面中，選取要安裝的印表機。
5. 在「安裝類型」畫面中，選擇**典型安裝**以安裝一般的軟體。若要安裝最少的驅動程式和軟體，請選擇**最小安裝**。若您想要選取安裝的軟體，請選擇**自訂安裝**。
6. 在「準備安裝」畫面中，選取「安裝」讓安裝程序完成。

手動設定 IP 位址

印表機會自動從網路上的 BootP/DHCP 伺服器尋找 IP 位址，或者您可以從軟體設定 IP。但如果您想要為印表機指定特定的 IP 位址，可以從印表機控制面板手動設定 IP 位址。

1. 按下印表機控制面板上的**功能表**按鈕，找到 **JETDIRECT** 功能表。一般來說，您會選擇**設定裝置**功能表、**I/O** 功能表，然後是 **JETDIRECT** 功能表。
 2. 在 **JETDIRECT** 功能表中，選取 **TCP/IP** 功能表、**設定方法**功能表，然後選取**手動**。此時就會有一個**手動設定**項目新增到 **TCP/IP** 功能表。
 3. 使用**手動設定**功能表和控制面板的按鍵，設定 **IP 位址**、**子網路遮罩**、**預設通訊閘**、**SYSLOG 伺服器**和**閒置逾時**。
7. 若您正和其他與您所使用的作業系統不相同的個人電腦共用印表機，請在印表機安裝完成後，在「用戶端驅動程式支援」畫面新增這些驅動程式。
 - 若要新增驅動程式以便和不同作業系統共用，請反白顯示印表機，然後選取「檔案」，「內容」。在「共用」標籤上，選取「其他驅動程式」並指向想要的印表機。
 8. 如果是 Windows 2000 和 XP，您可以根據喜好輸入位置和說明資訊。
 9. 在「準備安裝」畫面中，選取「安裝」讓安裝程序完成。
 10. 當您準備使用印表機時，必須連線到網路。

在印表機尚未連接到網路時建立印表機連接埠

注意 此功能僅在 IP 網路上支援。

若要在印表機目前尚未連接到網路（但稍後要連接）時建立印表機連接埠，需具備下列資訊：

- 印表機名稱或 IP 位址
- 連接埠名稱
- 裝置類型

安裝步驟：

1. 插入印表機隨附的光碟。軟體安裝程式會自動啓動。如果沒有啓動，請瀏覽到光碟根目錄中的 **setup.exe**，然後對它連按兩下。
2. 選擇您想要安裝程式顯示的語言，並接受「授權合約」。
3. 在「印表機連線」畫面上，選擇**透過網路連接**。
4. 讓軟體搜尋網路上的印表機。當「找不到印表機」對話方塊出現時，選取「下一步」。選擇「輸入不在網路上的印表機設定值」，並選取「下一步」。在「印表機設定值」畫面，指定硬體或 IP 位址識別印表機。
5. 在「設定連接埠名稱」畫面，選取連接埠名稱或使用預設值。
6. 在「印表機名稱」畫面中，指定要在印表機資料夾中使用的印表機名稱。

© 2005 Hewlett-Packard Development Company, L.P.

www.hp.com



5851-2402