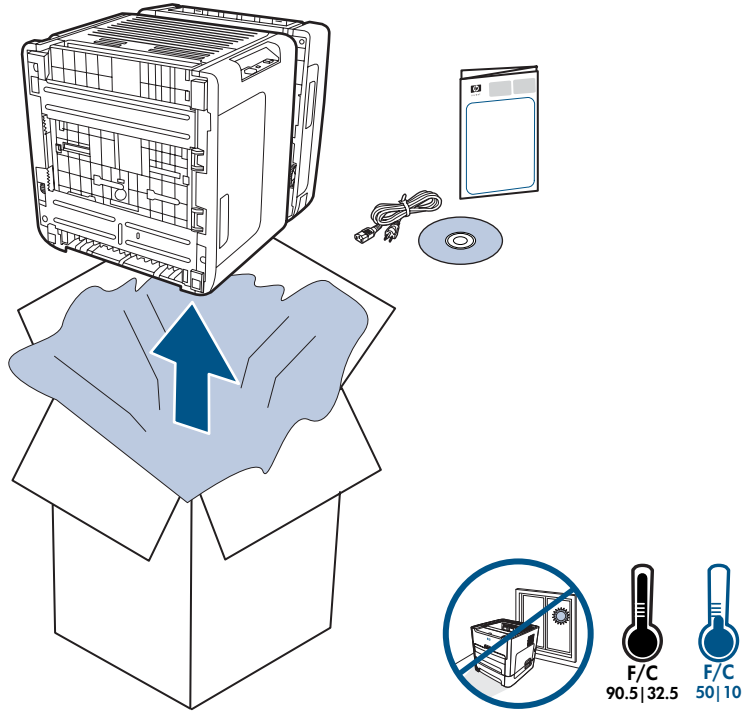




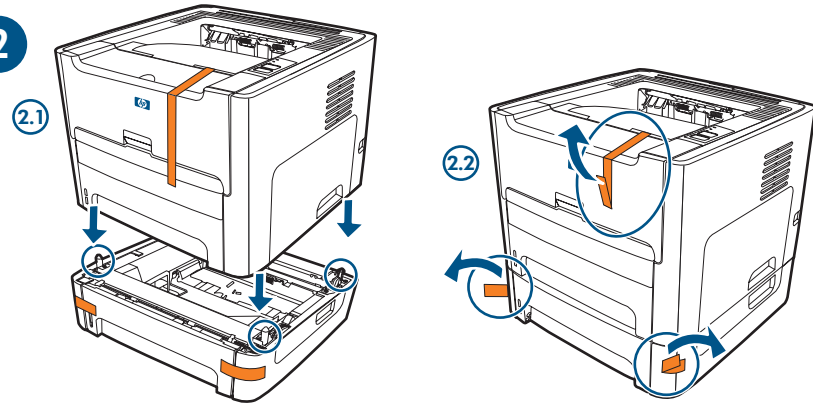
hp LaserJet 1320t

Start  
Démarrage

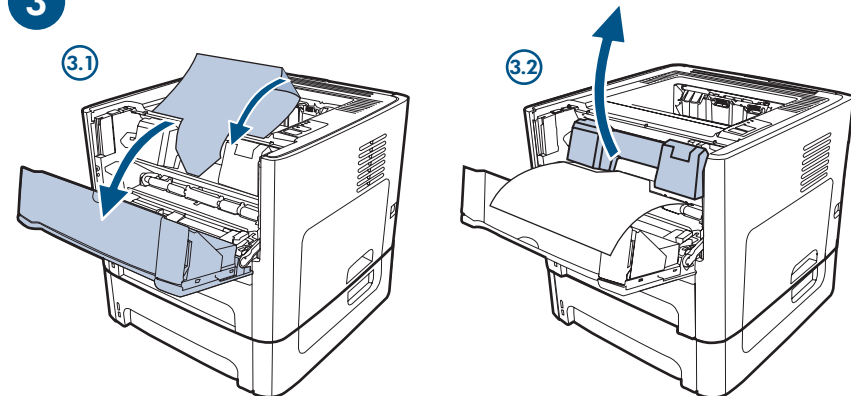
1



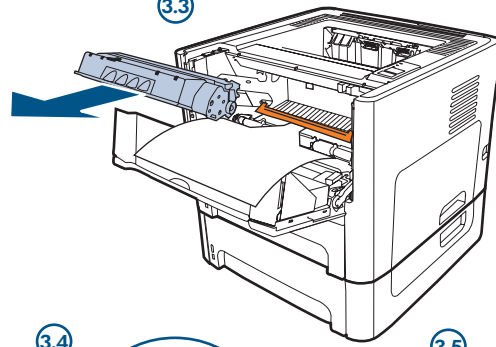
2



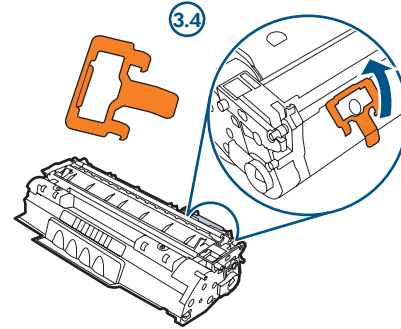
3



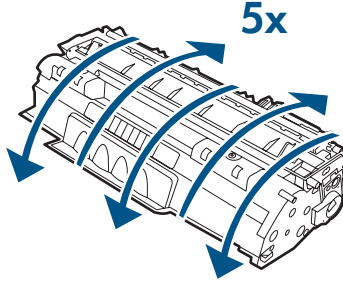
3.3



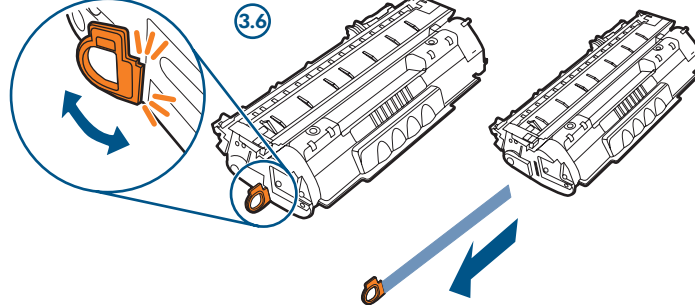
3.4



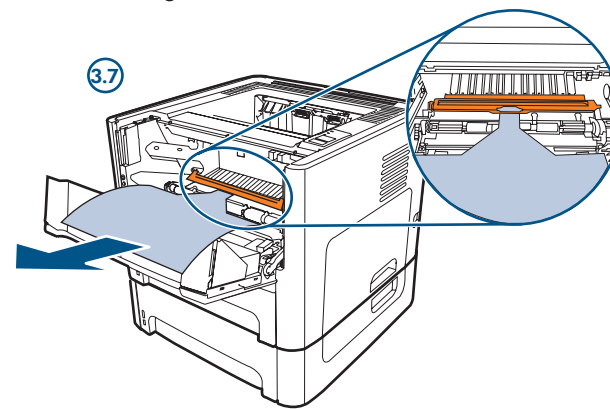
3.5



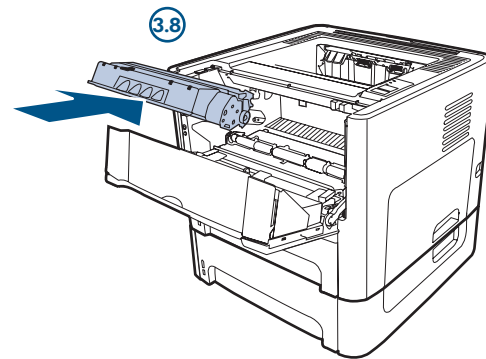
3.6



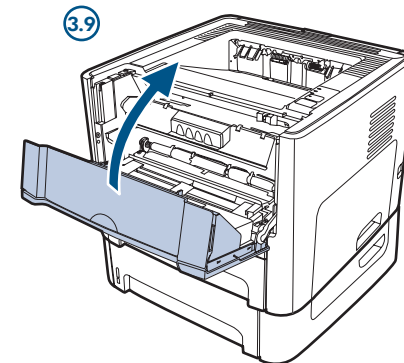
3.7



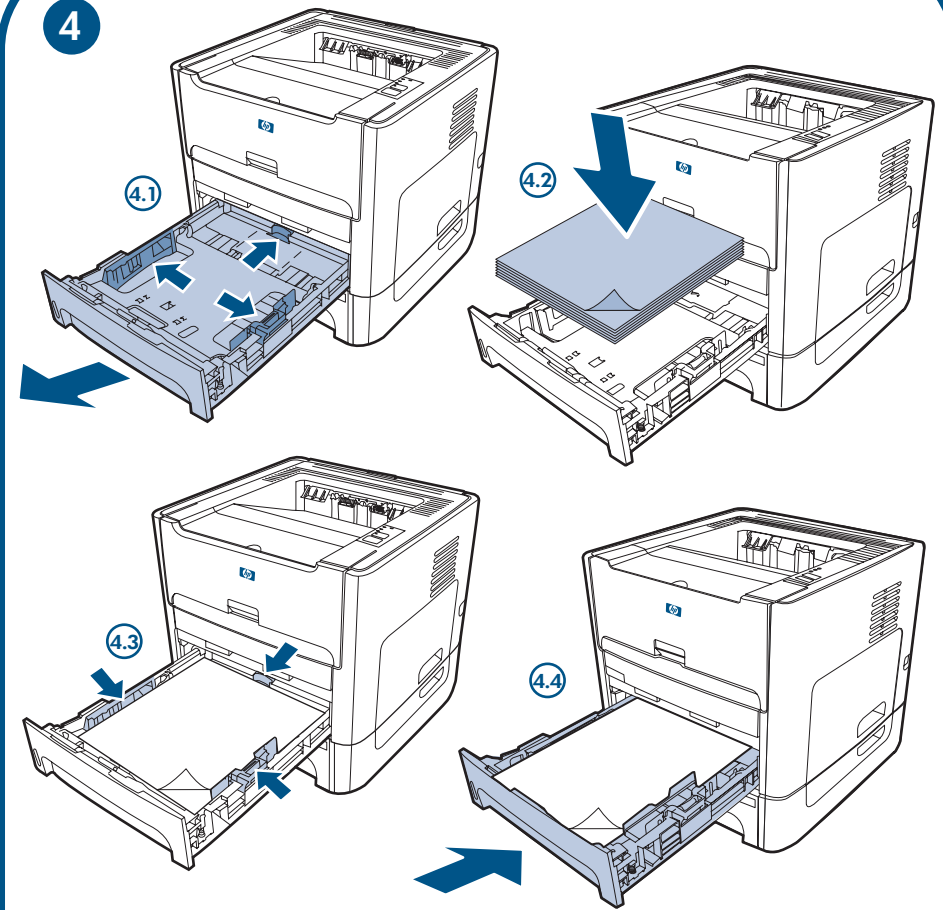
3.8



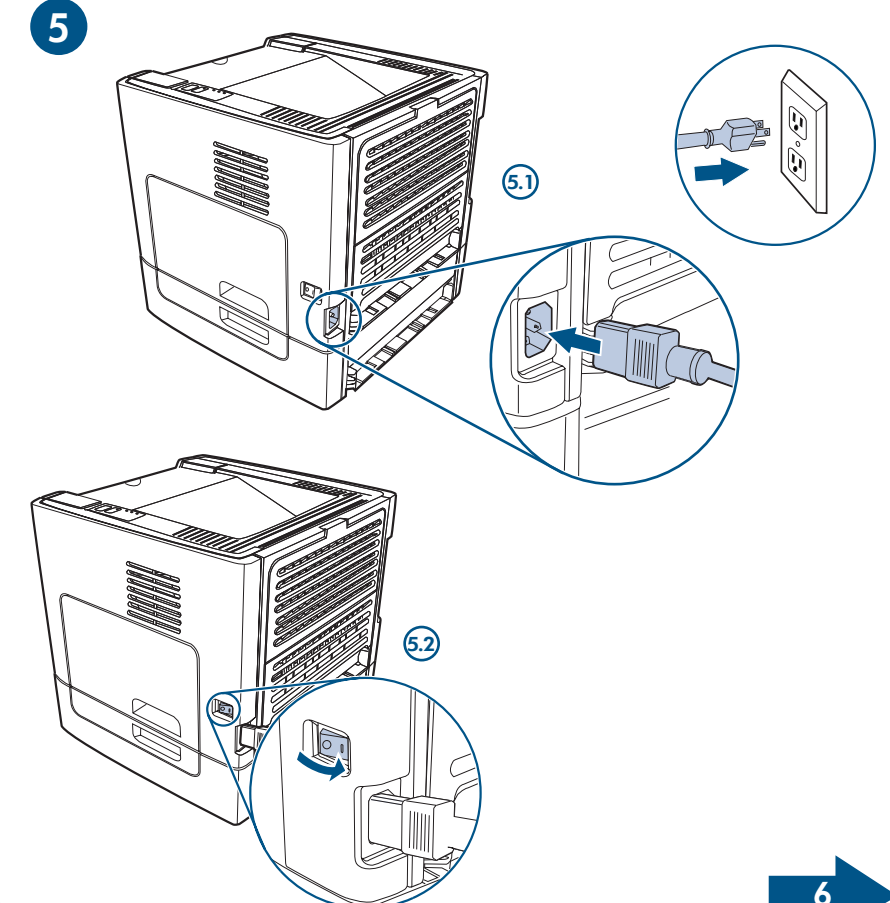
3.9



4



5



6

© 2005 Copyright Hewlett-Packard Development Company, L.P.

© 2005 Copyright Hewlett-Packard Development Company, L.P.

Reproduction, adaptation or translation without prior written permission is prohibited, except as allowed under the copyright laws.

Il est interdit de reproduire, adapter ou traduire ce manuel sans autorisation expresse par écrit, sauf dans les cas permis par les lois régissant les droits d'auteur.

The information contained herein is subject to change without notice.

Les informations contenues dans ce document sont sujettes à modification sans préavis.

The only warranties for HP products and services are set forth in the express warranty statements accompanying such products and services. Nothing herein should be construed as constituting an additional warranty. HP shall not be liable for technical or editorial errors or omissions contained herein. Edition 1, 03/2005

Les seules garanties concernant les produits et services HP sont énoncées dans la garantie qui accompagne ces produits et services. Rien en ceci ne devra être interprété comme constituant une garantie supplémentaire. HP ne pourra être tenue pour responsable des erreurs techniques et rédactionnelles ou des omissions présentes dans ce document. Première édition : 3/2005

FCC Regulations

This equipment has been tested and found to comply with the limits for a Class B digital device, pursuant to Part 15 of the FCC rules. These limits are designed to provide reasonable protection against harmful interference in a residential installation. This equipment generates, uses, and can radiate radio frequency energy. If this equipment is not installed and used in accordance with the instructions, it may cause harmful interference to radio communications. However, there is no guarantee that interference will not occur in a particular installation. If this equipment does cause harmful interference to radio or television reception, which can be determined by turning the equipment off and on, the user is encouraged to try to correct the interference by one or more of the following measures: Reorient or relocate the receiving antenna. Increase separation between equipment and receiver.



Connect equipment to an outlet on a circuit different from that to which the receiver is located.

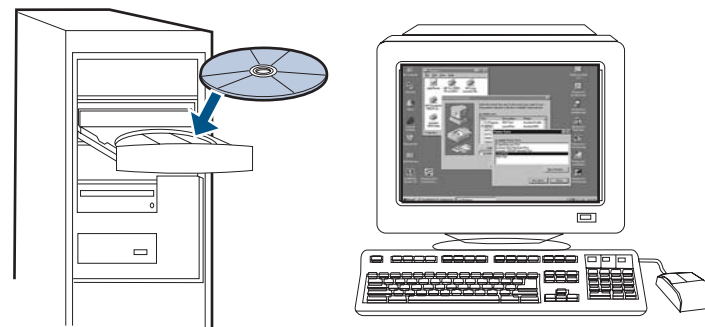
Consult your dealer or an experienced radio/TV technician.

Any changes or modifications to the printer that are not expressly approved by HP could void the user's authority to operate this equipment.

Use of a shielded interface cable is required to comply with the Class B limits of Part 15 of FCC rules.

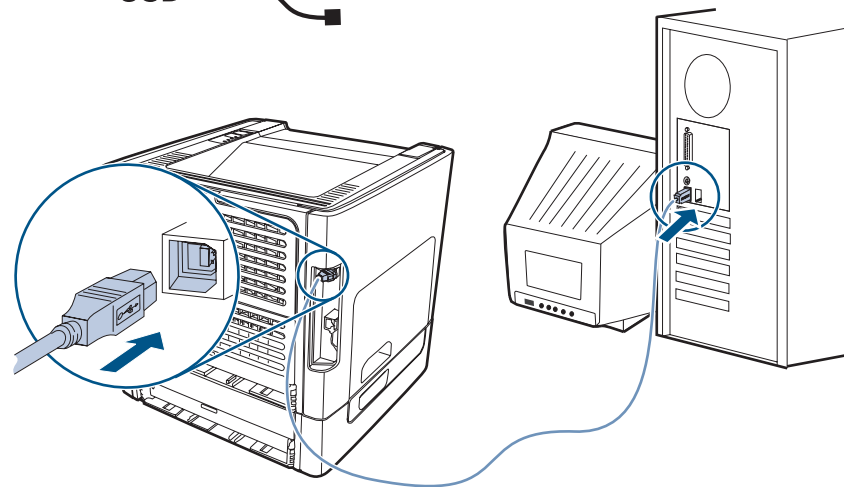


6



7

USB



English

Additional information

See the electronic User Guide on the CD-ROM that came with the printer for more information on the following topics:

- Troubleshooting information
- Important safety notices and regulatory information
- Detailed user instructions

This information is also available at <http://www.hp.com/support/lj1320>

Français

Informations supplémentaires

Pour plus d'informations sur les rubriques ci-après, reportez-vous à la version électronique du Guide de l'utilisateur situé sur le CD-ROM fourni avec l'imprimante :

- Informations de dépannage
- Informations importantes sur la sécurité et informations réglementaires
- Instructions détaillées à l'intention de l'utilisateur

Ces informations sont également disponibles à l'adresse <http://www.hp.com/support/lj1320>