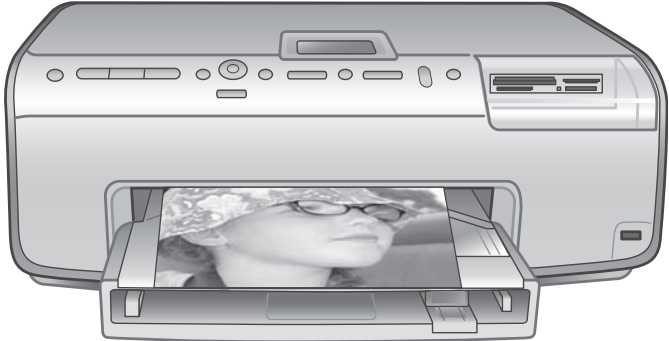


# HP Photosmart 8200 series Reference Guide

English





Support for the following countries/regions is available at www.hp.com/support: Austria, Belgium, Central America & The Caribbean, Denmark, Spain, France, Germany, Ireland, Italy, Luxembourg, Netherlands, Norway, Portugal, Finland, Sweden, Switzerland, and the United Kingdom.

|                              |   |                              |                          |
|------------------------------|---|------------------------------|--------------------------|
| 61 56 45 43                  | الجزائر                                     | 한국                           | 1580-3003                |
| Argentina (Buenos Aires)     | 54-11-4008-1600                             | Malaysia                     | 1800 805 405             |
| Argentina                    | 0-800-555-5000                              | Mexico (Mexico City)         | 55-5258-9922             |
| Australia                    | 1300 721 147                                | Mexico                       | 01-800-472-68368         |
| Australia (out-of-coverage)  | 1902 910 910                                | 22 404747                    | المغرب                   |
| 800 171                      | البحرين                                     | New Zealand                  | 0800-441 147             |
| Brazil (Sao Paulo)           | 55-11-4004-7751                             | Nigeria                      | 1 3204 999               |
| Brazil                       | 0-800-709-7751                              | Panama                       | 1-800-711-2884           |
| Canada (Windsor/Quebec Area) | (905) 206-4563                              | Paraguay                     | 009 800 54 1 0006        |
| Canada                       | 1-800-474-6836                              | Peru                         | 0-800-10111              |
| Chile                        | 800-360-999                                 | Philippines                  | 2 857 3551               |
| 中国                           | 021-3881-4510<br>800-810-3888<br>服务编码: 3001 | Poland                       | 22 5666 000              |
| Colombia (Bogota)            | 571-606-9191                                | Puerto Rico                  | 1-877-232-0589           |
| Colombia                     | 01-8000-51-4746-8368                        | República Dominicana         | 1-800-711-2884           |
| Costa Rica                   | 0-800-011-1046                              | Romania                      | (21) 315 4442            |
| Česká republika              | 261 307 310                                 | Rocore (Mocimot)             | 095 7973200              |
| Ecuador (Aznarcale)          | 1-999-119 88<br>800-711-2884                | Rocore (Cairo/Tripoli)       | 812 3467997              |
| Ecuador (Pachal)             | 1-800-225-828 88<br>800-711-2884            | 800 897 1444                 | السعودية                 |
| 2 532 5222                   | عمان  | Singapore                    | 6 272 5300               |
| El Salvador                  | 800-6160                                    | Slovakia                     | 2 5022444                |
| Ελλάδα (πρό το εξωτερικό)    | + 30 210 6073603                            | South Africa (International) | + 27 11 2589301          |
| Ελλάδα (πρό το Ελλάδα)       | 801 11 22 55 47                             | South Africa (RSA)           | 086 0001030              |
| Ελλάδα (πρό Κύπρο)           | 800 9 2649                                  | Rest Of West Africa          | + 351 213 17 63 80       |
| Guatemala                    | 1-800-711-2884                              | 臺灣                           | 02-8722-8000             |
| 香港特別行政區                      | 2802 4098                                   | ไทย                          | +66 (2) 353 9000         |
| Magyarország                 | 1 382 1111                                  | 71 89 12 22                  | تونس                     |
| India                        | 1 600 44 7737                               | Trinidad & Tobago            | 1-800-711-2884           |
| Indonesia                    | +62 (21) 350 3408                           | Türkiye                      | 90 216 444 71 71         |
| 00 9 830 4848                | www   | Yapıno                       | (390 44) 4903520         |
| Jamaica                      | 1-800-711-2884                              | 800 4520                     | الإمارات العربية المتحدة |
| 日本 (携帯電話の場合)                 | 0570-000511<br>03-3325-9800                 | United States                | 1-(800)-474-6836         |
|                              |   | Uruguay                      | 0004-054-177             |
|                              |   | Venezuela (Caracas)          | 58-212378-8666           |
|                              |   | Venezuela                    | 0-800-474-68368          |
|                              |   | Việt Nam                     | +84 88234530             |

## Copyrights and trademarks

© Copyright 2005 Hewlett-Packard Development Company, L.P.

The information contained herein is subject to change without notice. Reproduction, adaptation, or translation without prior written permission is prohibited, except as allowed under the copyright laws.

## Notice

The only warranties for HP products and services are set forth in the express warranty statements accompanying such products and services. Nothing herein should be construed as constituting an additional warranty. HP shall not be liable for technical or editorial errors or omissions contained herein.

The Hewlett-Packard Development Company, L.P. shall not be liable for incidental or consequential damages in connection with, or arising out of the furnishing, performance, or use of this document and the program material which it describes.

## Trademarks

HP, the HP logo, and Photosmart are property of Hewlett-Packard Development Company, L.P.

The Secure Digital logo is a trademark of the SD Association.

Microsoft and Windows are registered trademarks of Microsoft Corporation. CompactFlash, CF, and the CF logo are trademarks of the CompactFlash Association (CFA).

Memory Stick, Memory Stick Duo, Memory Stick PRO, and Memory Stick PRO Duo are trademarks or registered trademarks of Sony Corporation.

MultiMediaCard is a trademark of Infineon Technologies AG of Germany, and is licensed to the MMCA (MultiMediaCard Association).

Microdrive is a trademark of Hitachi Global Storage Technologies.

xD-Picture Card is a trademark of Fuji Photo Film Co., Ltd., Toshiba Corporation, and Olympus Optical Co., Ltd.

Mac, the Mac logo, and Macintosh are registered trademarks of Apple Computer, Inc.

iPod is a trademark of Apple Computer, Inc.

Bluetooth is a trademark owned by its proprietor and used by Hewlett-Packard Company under license.

PictBridge and the PictBridge logo are trademarks of the Camera & Imaging Products Association (CIPA).

Other brands and their products are trademarks or registered trademarks of their respective holders.

The embedded software in the printer is based in part on the work of the Independent JPEG Group.

The copyrights to certain photos within this document are retained by the original owners.

## Regulatory model identification number VCVRA-0503

For regulatory identification purposes, the product is assigned a Regulatory Model Number. The Regulatory Model Number for the product is VCVRA-0503. This regulatory number should not be confused with the marketing name (HP Photosmart 8200 series printer) or product number (Q3470).

## Safety information

Always follow basic safety precautions when using this product to reduce risk of injury from fire or electric shock.



**Warning** To prevent fire or shock hazard, do not expose this product to rain or any type of moisture.

- Read and understand all instructions in the setup instructions that came in the box with the printer.
- Use only a grounded electrical outlet when connecting the unit to a power source. If you do not know whether the outlet is grounded, check with a qualified electrician.
- Observe all warnings and instructions marked on the product.
- Unplug this product from wall outlets before cleaning.
- Do not install or use this product near water or when you are wet.
- Install the product securely on a stable surface.
- Install the product in a protected location where no one can step

on or trip over the power cord, and where the power cord will not be damaged.

- If the product does not operate normally, see the troubleshooting information in the onscreen HP Photosmart Printer Help.
- There are no operator serviceable parts inside. Refer servicing to qualified service personnel.
- Use in a well-ventilated area.

## Environmental statements

Hewlett-Packard Company is committed to providing quality products in an environmentally sound manner.

### Protecting the environment

This printer has been designed with several attributes to minimize impact on our environment. For more information, go to HP's Commitment to the Environment website at [www.hp.com/hpinfo/globalcitizenship/environment/](http://www.hp.com/hpinfo/globalcitizenship/environment/).

### Ozone production

This product generates no appreciable ozone gas (O<sub>3</sub>).

### Paper use

This product is suited for the use of recycled paper according to DIN 19309.

### Plastics

Plastic parts over 24 grams (0.88 ounces) are marked according to international standards that enhance the ability to identify plastics for recycling purposes at the end of the printer life.

### Material safety data sheets

Material Safety Data Sheets (MSDS) can be obtained from the HP website at [www.hp.com/go/msds](http://www.hp.com/go/msds). Customers without Internet access should contact HP Customer Care.

### Recycling program

HP offers an increasing number of product return and recycling programs in many countries/regions, and partners with some of the largest electronics recycling centers throughout the world. HP conserves resources by reselling some of its most popular products.

This HP product contains lead in the solder, which may require special handling at the end of its life.

**Disposal of waste equipment by users in private households in the European Union:**



This symbol on the product or its packaging indicates that this product must not be disposed of with your other household waste. Instead, it is your responsibility to dispose of your waste equipment by handing it over to a designated collection point for the recycling of waste electrical and electronic equipment. The separate collection and recycling of your waste equipment at the time of disposal will help to conserve natural resources and ensure that it is recycled in a manner that protects human health and the environment. For more information about where you can drop off your waste equipment for recycling, please contact your local city office, your household waste disposal service, or the shop where you purchased the product.

For more information regarding return and recycling of HP products generally, please visit: [www.hp.com/hpinfo/globalcitizenship/environment/recycle/index.html](http://www.hp.com/hpinfo/globalcitizenship/environment/recycle/index.html).

# Contents

|          |   |    |
|----------|---|----|
| <b>1</b> | <b>Welcome</b> .....  | 3  |
|          | Finding more information .....  | 3  |
|          | What's in the box .....   | 3  |
|          | Printer parts .....   | 4  |
|          | Printer menu .....  | 7  |
|          | Paper information .....   | 10 |
|          | Ink cartridge information .....   | 11 |
|          | Purchasing replacement ink cartridges .....   | 11 |
|          | Ink cartridge tips .....  | 11 |
|          | Inserting or replacing the ink cartridges .....   | 12 |
| <b>2</b> | <b>Printing basics</b> .....  | 14 |
|          | Using memory cards .....  | 14 |
|          | Supported file formats .....  | 14 |
|          | Selecting a photo layout .....  | 15 |
|          | Deciding which photos to print .....  | 15 |
|          | Selecting photos to print .....   | 16 |
|          | Improving photo quality and getting creative .....  | 16 |
|          | Printing photos .....   | 16 |
|          | Getting connected .....   | 17 |
|          | Connecting to other devices .....   | 17 |
|          | Printing from a computer .....  | 17 |
|          | Saving photos to a computer .....   | 17 |
|          | Using creative options in the printer software .....  | 17 |
|          | Setting print preferences .....   | 18 |
| <b>A</b> | <b>Installing the software</b> .....  | 19 |
|          | Installation troubleshooting .....  | 19 |
|          | All of the printers in Print Center disappear after printer software<br>installation (Macintosh only) .....                           | 19 |
|          | The installation software does not start automatically when the CD is<br>inserted (Windows only) .....                                | 20 |
|          | The Found New Hardware Wizard opens but does not recognize the<br>printer (Windows only) .....  | 20 |
|          | The system requirements check indicates that the computer is running<br>an outdated version of Internet Explorer (Windows only) ..... | 20 |
|          | The computer stops responding during software installation (Windows<br>only) .....  | 20 |
|          | The System Requirements dialog box appears during installation .....  | 20 |
|          | The computer could not read the HP Photosmart CD .....  | 20 |
| <b>B</b> | <b>HP Customer Care</b> .....   | 21 |
|          | HP Customer Care by phone .....   | 21 |
|          | Placing a call .....  | 21 |
|          | Additional warranty options .....   | 22 |
|          | Limited warranty statement .....  | 23 |
| <b>C</b> | <b>Specifications</b> .....   | 25 |
|          | System requirements .....   | 25 |

Printer specifications .....25

# 1 Welcome

Thank you for purchasing an HP Photosmart 8200 series printer! With this new photo printer you can print beautiful photos, save photos to a computer, and create fun and easy projects with or without a computer.

## Finding more information

The printer comes with the following documentation:

- **Setup Guide:** The HP Photosmart 8200 series printer comes with setup instructions that explain how to set up the printer.
- **User's Guide:** The *HP Photosmart 8200 series User's Guide* describes the basic features of the printer, explains how to use the printer without connecting a computer, and contains hardware troubleshooting information. It is available in online format on the *User's Guide* CD.
- **Reference Guide:** The *HP Photosmart 8200 series Reference Guide* is the book you are reading. It provides basic information about the printer, including setup, operation, technical support, and warranty. For detailed instructions, see the *User's Guide* CD.
- **Onscreen HP Photosmart Printer Help:** The onscreen HP Photosmart Printer Help describes how to use the printer with a computer and contains software troubleshooting information.

After you have installed the HP Photosmart printer software on a computer, you can view the onscreen HP Photosmart Printer Help:

- **Windows PC:** From the **Start** menu, select **Programs** (in Windows XP, select **All Programs**) > **HP** > **Photosmart 8200 series** > **Photosmart Help**.
- **Macintosh:** Select **Help** > **Mac Help** in the Finder, then select **Help Center** > **HP Image Zone Help** > **HP Photosmart Printer Help**.

## What's in the box

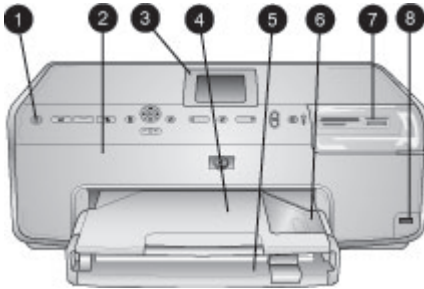
The printer box contains the following items:

- The HP Photosmart 8200 series printer
- The HP Photosmart 8200 series *Setup Guide*
- The HP Photosmart 8200 series *Reference Guide*
- The HP Photosmart 8200 series printer software CD
- The *User's Guide* CD
- Paper sampler
- Photo paper storage bag (not available in some countries/regions)
- HP Tri-color and Photo print cartridges
- Print cartridge protector
- A power supply



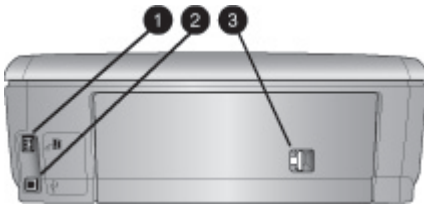
**Note** Content may vary by country/region.

## Printer parts



### Front of printer

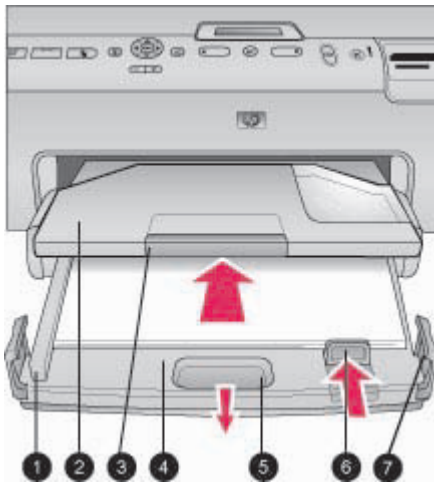
|   |  |
|---|--|
| 1 | <b>On:</b> Press this button to turn on the printer.   |
| 2 | <b>Top cover:</b> Lift this cover to access the ink cartridges and to clear paper jams. To lift the cover, grasp the top cover below the HP logo and pull upward.  |
| 3 | <b>Printer Screen:</b> Use this screen to view photos, menus, and messages.  |
| 4 | <b>Output tray:</b> Use this tray to catch your printouts. Remove this tray to access the Photo tray.  |
| 5 | <b>Main tray:</b> Pull out this tray and load plain paper, transparencies, envelopes, or other media with the side to be printed facing down.  |
| 6 | <b>Photo tray:</b> Remove the Output tray and load small-size paper up to 10 x 15 cm (4 x 6 inch) into the Photo tray for printing with the side to be printed facing down. The paper may be tabbed or untabbed. |
| 7 | <b>Memory card slots:</b> Insert memory cards here. For a list of supported memory cards, see <a href="#">Supported file formats</a> .   |
| 8 | <b>Camera port:</b> Connect a PictBridge™ digital camera, the optional HP Bluetooth® wireless printer adapter, or an HP iPod.  |



### Back of printer

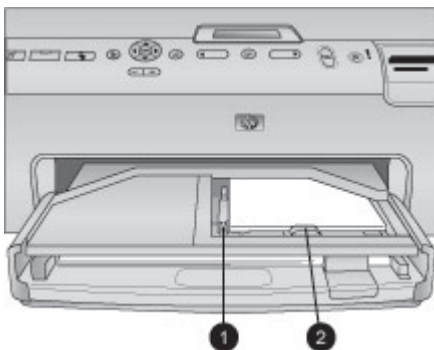
|   |   |
|---|---|
| 1 | <b>Power cord connection:</b> Use this port to connect the power cord included with the printer.  |
| 2 | <b>USB port:</b> Use this port to connect the printer to a computer.  |
| 3 | <b>Rear access door:</b> Remove this door to clear paper jams or to install the optional HP Automatic Two-sided Printing Accessory. See the <i>User's Guide</i> CD. |





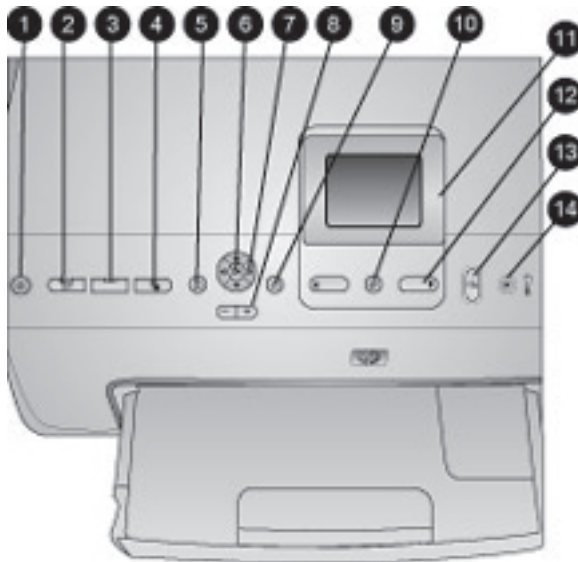
### Main and Output trays

- |   |  |
|---|--|
| 1 | <b>Paper-width guide:</b> Adjust this guide to fit close to the edge of the paper in the Main tray.                |
| 2 | <b>Output tray:</b> Use this tray to catch your printouts. Remove this tray to access the Photo tray.              |
| 3 | <b>Output tray extender:</b> Pull towards you to extend the Output tray to catch your printouts.                   |
| 4 | <b>Main tray:</b> Pull out this tray and load plain paper, transparencies, envelopes, or other media for printing. |
| 5 | <b>Main tray release:</b> Pull toward you to extend the Main tray.   |
| 6 | <b>Paper-length guide:</b> Adjust this guide to fit close to the end of the paper in the Main tray.                |
| 7 | <b>Tray grips:</b> Pull on the tray grips to extend the Main tray.   |



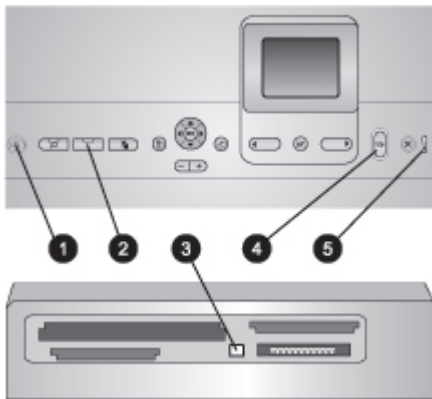
### Photo tray

- |   |  |
|---|--|
| 1 | <b>Paper-width guide:</b> Adjust this guide to fit close to the edge of the paper in the Photo tray. |
| 2 | <b>Paper-length guide:</b> Adjust this guide to fit close to the end of the paper in the Photo tray. |



### Control panel

|    |   |
|----|---|
| 1  | <b>On:</b> Turn on the printer or put it into power save mode.  |
| 2  | <b>Instant Share:</b> Send the currently selected photo(s) to the HP Instant Share function of the HP Image Zone software (when connected to a computer).   |
| 3  | <b>Photo tray:</b> Select the correct tray for the next print job sent from the control panel. When the blue light is on, the printer selects paper from the Photo tray. When the light is off, the printer selects paper from the Main tray. |
| 4  | <b>Layout:</b> Select the print layout for your photos. When a memory card is inserted, the selected layout is displayed in the bottom center of the printer screen.  |
| 5  | <b>Menu:</b> View the printer menu.   |
| 6  | <b>OK:</b> Select a menu or dialog choice and play/pause a video clip during playback.  |
| 7  | <b>Navigation arrows:</b> Adjust the crop box, navigate menu choices, and control the playback of a video clip.   |
| 8  | <b>Zoom (+)(-):</b> Zoom in or out of a photo. You can also press Zoom (-) to view photos nine at a time when viewing a photo at normal magnification.  |
| 9  | <b>Rotate:</b> Rotate a photo or a crop box.  |
| 10 | <b>Select Photos:</b> Select a photo number or menu option.   |
| 11 | <b>Printer screen:</b> View menus and messages.   |
| 12 | <b>Select Photos arrows:</b> Navigate through menu options or photo numbers.  |
| 13 | <b>Print:</b> Print the selected photos from the inserted memory card, or from a camera connected to the front camera port.   |
| 14 | <b>Cancel:</b> Deselect photos, exit a menu, or stop an action you have requested.  |



### Indicator lights

|   |   |
|---|---|
| 1 | <b>On light:</b> Solid blue if the printer is on, otherwise it is off.  |
| 2 | <b>Photo tray light:</b> When this light is on, the printer uses paper from the Photo tray. When this light is off, the printer uses paper from the Main tray. Press the button to select the desired tray. |
| 3 | <b>Memory Card light:</b> Solid blue if a memory card is inserted, flashes if the printer is accessing a memory card, off if no memory card is inserted or if more than one card is inserted.               |
| 4 | <b>Print light:</b> Solid blue when the printer is on and ready to print, flashes blue when the printer is printing or busy with self-maintenance.  |
| 5 | <b>Attention light:</b> Turns on when there is a problem that requires user action. See the printer screen for instructions.  |

## Printer menu

Press **Menu** to access the printer menu.

### To navigate the printer menu:

- Press the **Navigation** arrows to scroll through the menus or options displayed on the printer screen.
- Press **OK** to display the submenus or options.
- Press **Cancel** to exit the current menu.

### The printer menu structure

- **Print Options**
  - **Print all:** Select to print all the photos from the memory card inserted in the printer or from a camera connected to the camera port.
  - **Print proof sheet:** Print a proof sheet of all photos on the inserted memory card. The proof sheet allows you to select photos to print, number of copies, and the print layout.
  - **Scan proof sheet:** Scan a printed proof sheet after you mark it to select photos, number of copies, and layout.
  - **Video action prints:** Print nine frames that are automatically selected from your video clip.

- **Print range:** Select the beginning and the end of the print range using the **Select Photos arrows**.
- **Print index page:** Print thumbnail views of all photos on the inserted memory card.
- **Print panoramic photos:** Select to turn panoramic printing **On** or **Off** (default). Select **On** to print all selected photos with a 3:1 aspect ratio; load 10 x 30 cm (4 x 12 inch) paper before printing.
- **Print stickers:** Select to turn sticker printing **On** or **Off** (default). Select **On** to print 16 photos per page; load special sticker media if desired.
- **Passport photo mode:** Select to turn passport photo mode **On** or **Off**. If you select **On**, the printer prompts you to select the passport photo size. Passport mode tells the printer to print all photos in the selected size. Each page contains one photo; however, if you specify several copies of the same photo, they all appear on the same page (if enough space is available). Allow photos to dry for one week before laminating.
- **Edit**
  - **Remove red-eye:** Select to remove red eye from the photo displayed on the printer screen.
  - **Photo brightness:** Use the **Navigation arrows** to increase or decrease the photo brightness.
  - **Add frame:** Use the **Navigation arrows** to select a pattern and a color for a frame.
  - **Add color effect:** Use the **Navigation arrows** to select a color effect. The color effect does not affect frames created with the **Add frame** option.
- **Tools**
  - **View 9-up:** View nine images at once from the inserted memory card.
  - **Slide show:** Select to start a slide show of all the photos on the inserted memory card. Press **Cancel** to stop the slide show.
  - **Print quality:** Choose either **Best** (default) or **Normal** print quality.
  - **Print sample page:** Select to print a sample page, which is useful for checking the print quality of the printer. This feature is not available in all printer models.
  - **Print test page:** Select to print a test page containing information about the printer that can help in troubleshooting problems.
  - **Clean printheads:** Select to clean the print head when white lines or streaks appear in your printouts. After the cleaning finishes, the printer prints a self test report. You have the option to clean the print head again if the report shows print quality problems.
  - **Align printer:** Select to align the printer when white lines or streaks appear in your printouts.
- **Bluetooth**
  - **Device Address:** Some devices with Bluetooth wireless technology require you to enter the address of the device they are trying to locate. This menu option shows the printer address.
  - **Device Name:** You can select a name for the printer that appears on other devices with Bluetooth wireless technology when they locate the printer.
  - **Passkey:** When the Bluetooth **Security level** of the printer is set to **High**, you must enter a passkey to make the printer available to other Bluetooth devices. The default passkey is 0000.

- **Visibility:** Select **Visible to all** (default) or **Not visible**. When **Visibility** is set to **Not visible**, only devices that know the device address can print to it.
- **Security level:** Select **Low** or **High**. The **Low** setting does not require users of other devices with Bluetooth wireless technology to enter the printer passkey. **High** requires users of other devices with Bluetooth wireless technology to enter the printer passkey.
- **Reset Bluetooth options:** Select to reset all items in the Bluetooth menu to their default values.
- **Help**
  - **Memory cards:** Select to see a list of supported memory cards.
  - **Cartridges:** Select to see an animation of how to install an ink cartridge.
  - **Photo sizes:** Select to see a list of photos sizes and layouts you can choose from when printing from the control panel.
  - **Paper loading:** Select to read paper loading instructions.
  - **Paper jams:** Select to see an animation of how to clear a paper jam.
  - **Camera connect:** Select to read instructions on how to connect a PictBridge camera to the printer.
- **Preferences**





**Note** Some menu options may not be available in all printer models.



- **SmartFocus:** Select **On** (default) or **Off**. This setting improves blurred photos.
- **Adaptive lighting:** Select **On** (default) or **Off**. This setting improves lighting and contrast.
- **Date/time:** Use this option to include the date and/or time on your printed photos.
- **Colorspace:** Choose a colorspace. The Auto-select default tells the printer to use the Adobe RGB colorspace, if available. The printer defaults to sRGB if Adobe RGB is not available.
- **Paper detect:** Select **On** (default) and the printer will automatically detect the paper type and size when you print. When you select **Off**, you will be asked to select the paper type and size each time you print.
- **Preview animation:** Select **On** (default) or **Off**. When this feature is turned on, after you select a photo the printer will briefly display a print preview of the photo in the selected layout. Note: This feature is not available in all printer models.
- **Video enhancement:** Select **On** (default) or **Off**. When you select **On**, the quality of photos printed from video clips will be improved.
- **Auto remove red-eye:** Select to automatically remove red eye from your photos.
- **Restore defaults:** Restores factory settings for all menu items except **Select language** and **Select country/region** (under **Language** in **Preference** menu) and Bluetooth settings (under **Bluetooth** in the main printer menu). This setting does not affect HP Instant Share or Network defaults.
- **Language:** Select to indicate the language you want used on the printer screen, and the country/region setting. The country/region setting determines the supported media sizes.

## Paper information

You can print on photo paper, plain paper, or small media such as index cards and envelopes.

| Paper type   | How to load   | Tray to load  |   |                   |   |                    |   |                                   |
|--|---|---|---|-------------------|---|--------------------|---|-----------------------------------|
| Any supported photo or plain paper media   | <ol style="list-style-type: none"> <li>1. Extend the Main tray by pulling it out with the Main tray release or the tray grips.</li> <li>2. Slide the paper-width and paper-length guides to their outermost positions.</li> <li>3. Load paper with the side to be printed facing down. Check that the stack of paper is no higher than the top of the paper-length guide.</li> <li>4. Adjust the paper-width and paper-length guides inward until they stop at the edges of the paper.</li> <li>5. Push the Main tray all the way in.</li> <li>6. Make sure the light on the <b>Photo tray</b> button is turned off to enable printing from the Main tray.</li> </ol> | <p><b>Load the Main tray</b></p>  <p><b>Load paper and adjust guides inward</b></p> <table border="1" data-bbox="728 649 967 708"> <tr> <td>1</td> <td>Paper-width guide</td> </tr> <tr> <td>2</td> <td>Paper-length guide</td> </tr> </table>  <p><b>Push in the Main tray</b></p> <table border="1" data-bbox="728 1039 1093 1067"> <tr> <td>1</td> <td>Push the Main tray all the way in</td> </tr> </table> | 1 | Paper-width guide | 2 | Paper-length guide | 1 | Push the Main tray all the way in |
| 1  | Paper-width guide   |   |   |                   |   |                    |   |                                   |
| 2  | Paper-length guide  |   |   |                   |   |                    |   |                                   |
| 1  | Push the Main tray all the way in   |   |   |                   |   |                    |   |                                   |
| Photo paper up to 10 x 15 cm (4 x 6 inch) with or without tabs, Hagaki cards, A6 cards, L-size cards | <ol style="list-style-type: none"> <li>1. Remove the Output tray.</li> <li>2. Adjust the paper-width and paper-length guides outward to make room for the paper.</li> <li>3. Load up to 20 sheets of paper into the Photo tray with the side to be printed facing down. If you are using tabbed paper, insert the paper so the tab feeds in last.</li> <li>4. Adjust the paper-width and paper-length guides inward until they stop at the edges of the paper.</li> </ol>   | <p><b>Load the Photo tray</b></p>   |   |                   |   |                    |   |                                   |

(continued)

| Paper type | How to load   | Tray to load  |   |             |   |                   |   |                    |   |                   |   |                    |
|------------|---|---|---|-------------|---|-------------------|---|--------------------|---|-------------------|---|--------------------|
|            | <p>5. Replace the Output tray.</p> <p>6. Make sure the light on the <b>Photo tray</b> button is turned on to enable printing from the Photo tray.</p> |  <p><b>Remove Output tray and adjust guides outward</b></p> <table border="1" data-bbox="710 494 946 591"><tr><td>1</td><td>Output tray</td></tr><tr><td>2</td><td>Paper-width guide</td></tr><tr><td>3</td><td>Paper-length guide</td></tr></table>  <p><b>Load paper and adjust guides inward</b></p> <table border="1" data-bbox="710 899 946 961"><tr><td>1</td><td>Paper-width guide</td></tr><tr><td>2</td><td>Paper-length guide</td></tr></table> | 1 | Output tray | 2 | Paper-width guide | 3 | Paper-length guide | 1 | Paper-width guide | 2 | Paper-length guide |
| 1          | Output tray   |   |   |             |   |                   |   |                    |   |                   |   |                    |
| 2          | Paper-width guide   |   |   |             |   |                   |   |                    |   |                   |   |                    |
| 3          | Paper-length guide  |   |   |             |   |                   |   |                    |   |                   |   |                    |
| 1          | Paper-width guide   |   |   |             |   |                   |   |                    |   |                   |   |                    |
| 2          | Paper-length guide  |   |   |             |   |                   |   |                    |   |                   |   |                    |

## Ink cartridge information

The first time you set up and use your HP Photosmart printer, make sure to install the ink cartridges that were shipped with your printer. The ink in these ink cartridges is specially formulated to mix with the ink in the print head assembly.

### Purchasing replacement ink cartridges

When purchasing replacement cartridges, refer to the cartridge numbers that appear on the back cover of this guide. These cartridge numbers may vary by country/region.

### Ink cartridge tips

HP Vivera Inks deliver true-to-life photo quality and exceptional fade resistance resulting in vivid colors that last for generations! HP Vivera Inks are specially-formulated and scientifically tested for quality, purity and fade resistance.

For best print quality, HP recommends that you install all retail ink cartridges before the install-by date stamped on the box.

For optimum printing results, HP recommends using only genuine HP ink cartridges. Genuine HP ink cartridges are designed and tested with HP printers to help you easily



























# HP printer limited warranty statement

| HP product  | Duration of limited warranty  |
|---|---|
| Software  | 90 days   |
| Print cartridges  | Until the HP ink is depleted or the "end of warranty" date printed on the cartridge has been reached, whichever occurs first. This warranty does not cover HP ink products that have been refilled, remanufactured, refurbished, misused, or tampered with. |
| Accessories   | 1 year  |
| Printer peripheral hardware (see the following for details) | 1 year  |

## A. Extent of limited warranty

- Hewlett-Packard (HP) warrants to the end-user customer that the HP products specified above will be free from defects in materials and workmanship for the duration specified above, which duration begins on the date of purchase by the customer.
- For software products, HP's limited warranty applies only to a failure to execute programming instructions. HP does not warrant that the operation of any product will be uninterrupted or error free.
- HP's limited warranty covers only those defects that arise as a result of normal use of the product, and does not cover any other problems, including those that arise as a result of:
  - Improper maintenance or modification;
  - Software, media, parts, or supplies not provided or supported by HP;
  - Operation outside the product's specifications;
  - Unauthorized modification or misuse.
- For HP printer products, the use of a non-HP ink cartridge or a refilled ink cartridge does not affect either the warranty to the customer or any HP support contract with the customer. However, if printer failure or damage is attributable to the use of a non-HP or refilled ink cartridge, HP will charge its standard time and materials charges to service the printer for the particular failure or damage.
- If HP receives, during the applicable warranty period, notice of a defect in any product which is covered by HP's warranty, HP shall either repair or replace the product, at HP's option.
- If HP is unable to repair or replace, as applicable, a defective product which is covered by HP's warranty, HP shall, within a reasonable time after being notified of the defect, refund the purchase price for the product.
- HP shall have no obligation to repair, replace, or refund until the customer returns the defective product to HP.
- Any replacement product may be either new or like-new, provided that it has functionality at least equal to that of the product being replaced.
- HP products may contain remanufactured parts, components, or materials equivalent to new in performance.
- HP's Limited Warranty Statement is valid in any country where the covered HP product is distributed by HP. Contracts for additional warranty services, such as on-site service, may be available from any authorized HP service facility in countries where the product is distributed by HP or by an authorized importer.

## B. Limitations of warranty

TO THE EXTENT ALLOWED BY LOCAL LAW, NEITHER HP NOR ITS THIRD PARTY SUPPLIERS MAKES ANY OTHER WARRANTY OR CONDITION OF ANY KIND, WHETHER EXPRESS OR IMPLIED WARRANTIES OR CONDITIONS OF MERCHANTABILITY, SATISFACTORY QUALITY, AND FITNESS FOR A PARTICULAR PURPOSE.

## C. Limitations of liability

- To the extent allowed by local law, the remedies provided in this Warranty Statement are the customer's sole and exclusive remedies.
- TO THE EXTENT ALLOWED BY LOCAL LAW, EXCEPT FOR THE OBLIGATIONS SPECIFICALLY SET FORTH IN THIS WARRANTY STATEMENT, IN NO EVENT SHALL HP OR ITS THIRD PARTY SUPPLIERS BE LIABLE FOR DIRECT, INDIRECT, SPECIAL, INCIDENTAL, OR CONSEQUENTIAL DAMAGES, WHETHER BASED ON CONTRACT, TORT, OR ANY OTHER LEGAL THEORY AND WHETHER ADVISED OF THE POSSIBILITY OF SUCH DAMAGES.

## D. Local law

- This Warranty Statement gives the customer specific legal rights. The customer may also have other rights which vary from state to state in the United States, from province to province in Canada, and from country to country elsewhere in the world.
- To the extent that this Warranty Statement is inconsistent with local law, this Warranty Statement shall be deemed modified to be consistent with such local law. Under such local law, certain disclaimers and limitations of this Warranty Statement may not apply to the customer. For example, some states in the United States, as well as some governments outside the United States (including provinces in Canada), may:
  - Preclude the disclaimers and limitations in this Warranty Statement from limiting the statutory rights of a consumer (e.g., the United Kingdom);
  - Otherwise restrict the ability of a manufacturer to enforce such disclaimers or limitations; or
  - Grant the customer additional warranty rights, specify the duration of implied warranties which the manufacturer cannot disclaim, or allow limitations on the duration of implied warranties.
- THE TERMS IN THIS WARRANTY STATEMENT, EXCEPT TO THE EXTENT LAWFULLY PERMITTED, DO NOT EXCLUDE, RESTRICT, OR MODIFY, AND ARE IN ADDITION TO, THE MANDATORY STATUTORY RIGHTS APPLICABLE TO THE SALE OF THE HP PRODUCTS TO SUCH CUSTOMERS.

### HP Limited Warranty

Dear Customer,

You will find below the name and address of the HP entity responsible for the performance of the HP Limited Warranty in your country.

**You may have additional statutory rights against the seller based on your purchase agreement. Those rights are not in any way affected by this HP Limited Warranty.**

**Ireland:** Hewlett-Packard Ireland Ltd, 30 Herbert Street IRL-Dublin 2

**United Kingdom:** Hewlett-Packard Ltd, Cain Road, Bracknell, GB-Berks RG12 1HN













