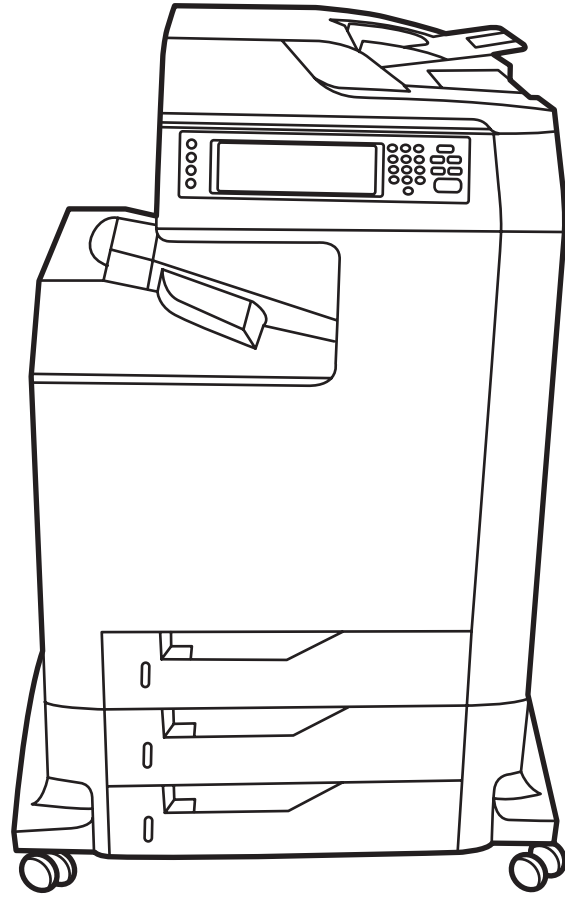


HP Color LaserJet 4730mfp

User Guide



HP Color LaserJet 4730mfp Series

User Guide



Copyright and License

© 2005 Copyright Hewlett-Packard Development Company, L.P.

Reproduction, adaptation, or translation without prior written permission is prohibited, except as allowed under the copyright laws.

The information contained in this document is subject to change without notice.

The only warranties for HP products and services are set forth in the express warranty statements accompanying such products and services. Nothing herein should be construed as constituting an additional warranty. HP shall not be liable for technical or editorial errors or omissions contained herein.

Part number Q7517-90981

Edition 1, 11/2005

Trademark Credits

Adobe® is a trademark of Adobe Systems Incorporated.

Corel® and CorelDRAW™ are trademarks or registered trademarks of Corel Corporation or Corel Corporation Limited.

Energy Star® and the Energy Star logo® are U.S. registered marks of the United States Environmental Protection Agency.

Microsoft® is a U.S. registered trademark of the Microsoft Corporation.

Netscape Navigator is a U.S. trademark of Netscape Communications.

PANTONE® Colors generated may not match PANTONE-identified standards. Consult current PANTONE Publications for accurate color. PANTONE® and other Pantone, Inc. trademarks are the property of Pantone, Inc. © Pantone, Inc., 2000.

PostScript® is a trademark of Adobe Systems.

TrueType™ is a U.S. trademark of Apple Computer, Inc.

UNIX® is a registered trademark of The Open Group.

Windows®, MS Windows®, and Windows NT® are U.S. registered trademarks of Microsoft Corporation.

HP customer care

Online services

For 24-hour access to information by using a modem or Internet connection

World Wide Web: Updated HP printer software, product and support information, and printer drivers in several languages can be obtained from <http://www.hp.com/support/clj4730mfp>. (The site is in English.)

Online troubleshooting tools

HP Instant Support Professional Edition (ISPE) is a suite of Web-based troubleshooting tools for desktop computing and printing products. ISPE helps you quickly identify, diagnose, and resolve computing and printing problems. The ISPE tools are available at <http://instantsupport.hp.com>.

Telephone support

Hewlett-Packard Company provides free telephone support during the warranty period. When you call, you will be connected to a responsive team that is waiting to help you. For the telephone number for your country/region, see the flyer that came in the box with the product, or visit <http://www.hp.com/support>. Before calling HP, have the following information ready: the product name and serial number, the date of purchase, and a description of the problem.

You can also find support on the Internet at <http://www.hp.com>. Click the **support & drivers** block.

Software utilities, drivers, and electronic information

Go to http://www.hp.com/go/clj4730mfp_software. (The site is in English, but printer drivers can be downloaded in several languages.)

For information over the telephone, see the flyer that came in the box with the MFP.

HP direct ordering for accessories or supplies

Order supplies from the following Web sites:

United States: <http://www.hp.com/sbso/product/supplies>

Canada: <http://www.hp.ca/catalog/supplies>

Europe: <http://www.hp.com/go/supplies>

Asia-Pacific: <http://www.hp.com/paper/>

Order accessories from <http://www.hp.com/support/clj4730mfp>. For more information, see [Ordering parts, accessories, and supplies](#).

To order supplies or accessories over the telephone, call the following numbers:

United States businesses: 800-282-6672

United States small and medium businesses: 800-888-9909

United States home and home offices: 800-752-0900

Canada: 800-387-3154

To find the phone numbers for other countries/regions, see the flyer that came in the box with the MFP.

HP service information

To locate HP-Authorized Dealers in the United States or Canada, call 800-243-9816 (United States) or 800-387-3867 (Canada). Or, go to <http://www.hp.com/go/cposupportguide>.

For service for your HP product in other countries/regions, call the customer support number for your country/region. See the flyer that came in the box with the MFP.

HP service agreements

Call: 800-HPINVENT [800-474-6836 (U.S.)] or 800-268-1221 (Canada).

Out-of-Warranty Service: 800-633-3600.

Extended Service: Call: 800-HPINVENT [800-474-6836 (U.S.)] or 800-268-1221 (Canada). Or, go to the HP Care Pack Services Web site at <http://www.hpexpress-services.com>.

HP support and information for Macintosh computers

Visit: <http://www.hp.com/go/macosex> for Mac OS X support information and HP subscription service for driver updates.

Visit: <http://www.hp.com/go/mac-connect> for products designed specifically for the Macintosh user.

Table of contents

1 MFP basics

HP Color LaserJet 4730mfp Series configurations	2
HP Color LaserJet 4730mfp (Q7517A-base model)	2
HP Color LaserJet 4730x mfp (Q7518A)	3
HP Color LaserJet 4730xs mfp (Q7519A)	3
HP Color LaserJet 4730xm mfp (Q7520A)	4
Features and benefits of the multifunction peripheral (MFP)	5
Features list	5
MFP parts and accessories	9
Identifying parts of the MFP	9
Accessories and supplies	10
Interface ports	11
Moving the MFP	12
Software	13
Operating systems and MFP components	13
Software features	14
Driver Autoconfiguration	14
Update Now	14
HP Driver Preconfiguration	14
Installing the printing system software	14
Installing Windows printing system software for direct connections	14
Installing Windows printing system software for networks	15
To set up a Windows computer to use the network MFP using Windows-sharing	16
Installing the software after the parallel or USB cable has been connected	16
Uninstalling the MFP software	17
To remove software from Windows operating systems	17
Software for networks	17
Summary of HP networking solutions	17
HP Web Jetadmin	17
UNIX	18
Utilities	18
MFP utilities	18
HP Easy Printer Care Software	18
Embedded Web server	19
Features	19
Other components and utilities	20
Software for Macintosh computers	21
Installing Macintosh printing system software for networks	21

Installing Macintosh printing system software for direct connections (USB)	22
To remove software from Macintosh operating systems	23
Printer drivers	24
Supported printer drivers	24
Additional drivers	24
Select the correct printer driver	25
Printer-driver Help (Windows)	25
Gaining access to the printer drivers	25
Printer drivers for Macintosh computers	27
Supported printer drivers	27
Gaining access to the printer drivers	27
Install checklist	29

2 Using the control panel

Control-panel layout	32
Control-panel features	33
Home-screen navigation	34
Help system	35
What is This? Help	35
Show Me How Help	35
Menu map	36
Retrieve job menu	37
Information menu	38
Fax menu	39
Paper handling menu	40
Configure device menu	43
Originals submenu	43
Copying submenu	44
Enhancement submenu	45
Sending submenu	45
Printing submenu	46
PCL submenu	49
Print quality submenu	50
System setup submenu	51
Copy/send settings	55
MBM-3 Configuration submenu	56
Stapler/stacker submenu	57
I/O submenu	57
Embedded Jetdirect submenu	58
Resets submenu	61
Diagnostics menu	63
Service menu	67

3 I/O Configuration

Network configuration	70
Configuring TCP/IP parameters	70
To manually configure TCP/IP parameters from the MFP control panel	70
Setting an IP address	70
Setting the subnet mask	71
Setting the default gateway	71

Disabling network protocols (optional)	72
To disable DLC/LLC	72
Parallel configuration	73
USB configuration	74
Auxiliary connection configuration	75
HP Jetdirect print servers	76
NetWare networks	76
Windows networks	76
AppleTalk networks	76
UNIX/Linux networks	76
Wireless printing	77
IEEE 802.11 standard	77
Bluetooth	77

4 Printing tasks

Controlling print jobs	80
Source	80
Type and Size	80
Print setting priorities	80
Selecting print media	82
Media to avoid	82
Paper that can damage the MFP	82
Automatic media type sensing (auto sense mode)	84
Tray 1 sensing	84
Tray 2–N sensing	85
Configuring input trays	86
Configuring trays when the MFP gives a prompt	86
To configure a tray when loading paper	86
To configure a tray to match print job settings	86
Configuring trays using the Paper Handling menu	87
Configuring Tray 2, 3, or 4 for a custom paper size	87
Printing from Tray 1 (multipurpose tray)	89
Loading Tray 1	89
Printing envelopes from Tray 1	90
To load envelopes into Tray 1	90
Printing envelopes	91
Printing from Tray 2, 3, or 4	92
Loading detectable standard-sized media into Tray 2, 3, or 4	92
Loading undetectable standard-sized media into Tray 2, 3, and 4	94
Loading custom-sized media into Tray 2	97
Printing on special media	100
Transparencies	100
Glossy paper	100
Colored paper	101
Envelopes	101
Labels	101
Heavy paper	102
HP LaserJet Tough paper	102
Preprinted forms and letterhead	103
Recycled paper	103

Automatic two-sided (duplex) printing	104
Control panel settings for automatic two-sided printing	105
To enable or disable two-sided printing from the MFP control panel	105
Options for binding two-sided printing jobs	106
Manual two-sided printing	106
Printing booklets	106
Stapling documents	107
To select the stapler in an application (Windows)	107
To select the stapler at the control panel	107
Loading staples	107
To load staples	108
Special printing situations	110
Printing a different first page	110
Printing a blank back cover	110
Printing on custom-size media	110
Stopping a print request	111
To stop the current print job from the MFP control panel	111
To stop the current print job from a software application	111
Selecting the output bin	112
3-bin mailbox output bins	112
Selecting an output location	113
To select an output location at the control panel	113
Job storage features	114
Proofing and holding a job	114
Printing stored jobs	114
Deleting stored jobs	114
Quick-copying a job	115
Private jobs	115
Printing a private job	115
Deleting a private job	116
Storing a print job	116
Mopier mode	116
Managing memory	117
Using features in the printer driver	118
Creating and using quick sets	118
Creating and using watermarks	119
Resizing documents	119
Setting a custom paper size from the printer driver	120
Using different paper/covers	120
Printing a blank first page	120
Printing multiple pages on one sheet of paper	120
Printing on both sides of the paper	121
To print on both sides by using the duplex-printing accessory	121
To print on both sides manually	122
Layout options for printing on both sides	122
Setting the stapling options	123
Setting the color options	123
Using the HP Digital Imaging Options dialog box	124
Using the Services tab	124
Using features in the Macintosh printer driver	126

Creating and using presets in Mac OS X	126
Printing a cover page	126
Printing multiple pages on one sheet of paper	127
Printing on both sides of the paper	127
Setting the color options	128

5 Copying

Copy-screen navigation	132
Cancel button	132
OK button	132
Basic copying instructions	133
Copying by using the default settings	133
To copy by using the default settings	133
Copying by using user-defined settings	133
To make copies by using settings other than the default settings	133
Copying by using the scanner glass	135
Copying by using the ADF	135
Using Job Mode	135
Modifying copy settings for the current job	136
Adjusting the copy brightness	136
Reducing or enlarging copies	136
Background removal	136
Sharpness	136
Copying multiple sized originals	137
Creating a stored copy job	138

6 Scanning and sending to e-mail

What is SMTP?	140
What is LDAP?	141
e-mail configuration	142
Automatic e-mail configuration	142
Manual e-mail configuration	142
To find gateways by using an e-mail program	143
e-mail screen navigation	144
Help button	144
From: field	144
To:, CC:, and BCC: fields	144
Clear All button	145
e-mail basics	146
Loading documents	146
Sending documents	146
To send documents	146
Using the auto-complete function	147
Using the address book	148
Creating a recipient list	148
Using the local address book	148
To add e-mail addresses to the local address book	149
To delete e-mail addresses from the local address book	149
Additional e-mail features	150
Secondary e-mail	150

Send to folder	150
Send to workflow	150

7 Faxing

Analog faxing	152
Installing the fax accessory	152
Connecting the fax accessory to a phone line	156
Configuring and using the fax features	157
Digital faxing	158

8 Color

Using color	160
HP ImageREt 3600	160
Color lockout	160
Paper selection	161
Color options	161
sRGB	161
Printing in four colors — CMYK	162
CMYK ink set emulation (PostScript only)	162
Color matching	163
PANTONE® color matching	163
Sample book color matching	163
Printing color samples	164
Managing printer color options on Windows computers	165
Print in grayscale	165
RGB Color (Color Themes)	165
Automatic or manual color adjustment	165
Manual color options	166
Restricting color printing	168
Managing printer color options on Macintosh computers	169
Print Color as Gray	169
Advanced color options for text, graphics, and photographs	169
Halftone options	169
Neutral Grays	169
RGB Color	170
Edge Control	170

9 Optional output devices

Output accessory bridge	172
3-bin mailbox	173
Mailbox mode	173
Stacker mode	173
Function-separator mode	173
Configuring the printer driver to recognize the 3-bin mailbox/stapler/stacker	173
Windows	173
Macintosh	174
To select the operating mode at the control panel	174
To configure a destination bin at the control panel (Mailbox and Function-separator modes)	174

To select the operating mode in the printer driver (Windows 2000 and Windows XP)	174
Windows 98, Windows Me, and Windows NT 4.0	175
Mac OS X	175
Stapler/stacker accessory	176
To configure the printer driver to recognize the optional stapler/stacker	176
Windows	176
Macintosh	177
To select the stapler at the control panel for printed jobs	177
To select the stapler in the printer driver for printed jobs (Windows)	177
To select the stapler in the printer driver for printed jobs (Mac)	177
To set the stapler at the control panel for all copy jobs	178
To set the stapler at the control panel for a single copy job	178
To configure the MFP to stop or continue when the staple cartridge is empty	178
Troubleshooting the output accessories	179

10 Security features

Securing the embedded Web server	182
To secure the embedded Web server	182
Foreign Interface Harness (FIH)	183
Requirements	183
Using the FIH	183
To enable the FIH portal	183
To disable the FIH portal	183
Secure Disk Erase	185
Data affected	185
Gaining access to Secure Disk Erase	185
Additional Information	185
Job-storage features	186
DSS authentication	187
Locking the control-panel menus	188
Locking the formatter cage	189

11 Managing and maintaining the MFP

Using the embedded Web server	192
Opening the embedded Web server	192
Information tab	193
Settings tab	193
Digital Sending tab	194
Networking tab	194
Other links	194
Using the HP Easy Printer Care Software	196
Supported operating systems	196
To use the HP Easy Printer Care Software	196
HP Easy Printer Care Software sections	196
Using HP Web Jetadmin software	198
Using the HP Printer Utility for Macintosh	199
Opening the HP Printer Utility	199
Printing a cleaning page	199
Printing a configuration page	199

Viewing supplies status	200
Ordering supplies online and using other support features	200
Uploading a file to the printer	200
Uploading fonts to the printer	201
Updating the firmware	201
Activating the two-sided printing (duplexing) mode	201
Activating the Economode printing mode	201
Changing the toner density	202
Changing the resolution settings	202
Locking or unlocking printer storage devices	202
Saving or printing stored jobs	202
Configuring trays	203
Changing network settings	203
Opening the embedded Web server	203
Setting up e-mail alerts	204
Configuring and verifying an IP address	205
TCP/IP assignment	205
Automatic discovery	205
Dynamic Host Configuration Protocol (DHCP)	205
Verifying the TCP/IP configuration	205
Changing an IP address	205
To change an IP address by using HP Web Jetadmin	205
To change an IP address by using the embedded Web server	206
To change an IP address using the control panel	206
Setting the real-time clock	208
Setting the date and time	208
To set the date format	208
To set the date	208
To set the time format	208
To set the time	209
Setting the wake time	209
To set the wake time	209
Setting the sleep delay	210
To set the sleep delay	210
Configuring alerts	211
Checking the MFP configuration	212
To print an information page	212
Menu map	212
Configuration page	212
HP Jetdirect page	213
Supplies status page	214
Usage page	215
PCL or PS font list	216
Upgrading the firmware	217
Determining the current level of firmware	217
Downloading the new firmware from the HP Web site	217
Transferring the new firmware to the MFP	217
Using FTP to upload the firmware through a browser	217
To use a browser for firmware update	217
Using FTP to upgrade the firmware on a network connection	218

To upgrade the firmware on a network connection by using FTP	218
Using HP Web Jetadmin to upgrade the firmware	219
Using MS-DOS commands to upgrade the firmware	220
Using the HP Jetdirect firmware	220
Managing print cartridges	221
HP print cartridges	221
Non-HP print cartridges	221
Print cartridge authentication	221
HP fraud hotline	221
Print cartridge storage	222
Print cartridge life expectancy	222
Checking the print cartridge life	222
Using the MFP control panel	222
Using the embedded Web server	222
Using HP Easy Printer Care Software	222
Using HP Web Jetadmin	222
Changing print cartridges	223
To replace the print cartridge	223
Replacing supplies	227
Locating supplies	227
Supply replacement guidelines	227
Making room around the MFP for replacing supplies	228
Approximate replacement intervals for supplies	228
Performing preventive maintenance	229
ADF maintenance kit	229
Cleaning the MFP	230
Cleaning the outside of the MFP	230
Cleaning the touchscreen	230
To clean the scanner glass	230
Cleaning the ADF delivery system	231
To clean the ADF delivery system	231
To clean the ADF rollers	232
Cleaning the mylar strip	235
To clean the mylar strip	235
Calibrating the scanner	237
To print the calibration target	237

12 Solving problems

Solving general problems	240
Troubleshooting checklist	240
Determining MFP problems	242
Troubleshooting information pages	243
Configuration page	243
Paper path test page	243
Registration page	243
Event log	244
Control panel message types	245
Status messages	245
Warning messages	245

Error messages	245
Critical error messages	245
Control panel messages	246
Message listing	246
Paper jams	276
Paper jam recovery	277
To disable paper jam recovery	277
Clearing jams	278
Clearing jams in the right covers	278
Jam in Tray 1	283
Jam in Tray 2, 3, or 4	283
Jam in the stapler/stacker	285
Staple jams	286
Jam in the 3-bin mailbox	287
Other jams in the output accessory bridge	290
Jam in the ADF	291
Media-handling problems	293
Printer feeds multiple sheets	293
Printer feeds incorrect page size	293
Printer pulls from incorrect tray	294
Media does not feed automatically	294
Media does not feed from Tray 2, 3, or 4	294
Transparencies or glossy paper will not feed	295
Envelopes jam or will not feed in the MFP	295
Output is curled or wrinkled	296
Printer will not duplex or duplexes incorrectly	296
Understanding MFP messages	297
Using the MFP help system	297
If a message persists	297
Understanding accessory lights for the 3-bin mailbox and stapler/stacker	298
Accessory lights	298
Replacing accessories or accessory components	299
Understanding lights on the formatter	300
HP Jetdirect LEDs	300
Heartbeat LED	300
Fax LED	301
Color printing problems	302
Printout color error	302
Incorrect shade	302
Missing color	302
Cartridge error	303
Color match error	303
Correcting print quality and copy quality problems	304
Print quality problems associated with media	304
Overhead transparency defects	304
Print quality problems associated with the environment	305
Print quality problems associated with jams	305
Print quality troubleshooting pages	305
Print quality troubleshooting tool	305
Image defect examples	305

Cleaning the scanner glass	311
Calibrating the MFP	312
Repetitive defect ruler	313
Solving e-mail problems	314
To validate the SMTP gateway address	314
To validate the LDAP gateway address	314
Solving network connectivity problems	315
Troubleshooting network printing problems	315
Verifying communication over the network	315
To verify communication over the network	316
Troubleshooting common Macintosh problems	317
Solving problems with Mac OS v9.x	317
Solving problems with Mac OS X	319

Appendix A Working with memory and print server cards

Printer memory and fonts	324
Installing memory and fonts	325
To install DDR memory DIMMs	325
To install a flash memory card	329
Enabling memory	333
To enable memory for Windows 98 and Me	333
To enable memory for Windows 2000 and XP	334
Installing an HP Jetdirect print server card	335
To install an HP Jetdirect print server card	335
Installing EIO cards	338
To install EIO cards	338

Appendix B Supplies and accessories

Ordering parts, accessories, and supplies	342
Ordering directly from HP	342
Ordering through service or support providers	342
Ordering directly through the embedded Web server (for printers that are connected to a network)	342
To order directly through the embedded Web server	342
Part numbers	343
Accessories	343
Print cartridges	343
Maintenance kits	343
Customer replaceable units	344
Memory	344
Cables and interfaces	344
Print media	344

Appendix C Service and support

Hewlett-Packard limited warranty statement	348
Print cartridge limited warranty statement	349
Fuser and transfer unit limited warranty statement	350
Availability of support and service	351
HP maintenance agreements	352

On-site service agreements	352
Priority onsite service	352
Next-day onsite service	352
Weekly (volume) on-site service	352

Appendix D MFP specifications

Physical specifications	354
Electrical specifications	355
Acoustic specifications	356
Environmental specifications	357

Appendix E Media specifications

Print media specifications	360
Printing and paper storage environment	360
Envelopes	361
Envelopes with double side seams	361
Envelopes with adhesive strips or flaps	362
Envelope margins	362
Envelope storage	362
Labels	362
Label construction	362
Transparencies	362
Print media weights and sizes	364
Supported media weights and sizes	364

Appendix F Regulatory information

Introduction	370
FCC regulations	371
Compliance with FCC regulations	371
Telecom	372
Fax communications	372
Environmental Product Stewardship program	373
Protecting the environment	373
Ozone production	373
Power consumption	373
HP LaserJet printing supplies	373
Disposal of waste equipment by users in private households in the European Union	375
Material safety data sheet	376
For more information	376
Declaration of conformity (HP Color LaserJet 4730mfp)	377
Country-/region-specific safety statements	378
Laser safety statement	378
Canadian DOC statement	378
Japanese VCCI statement	378
Japanese cordset statement	378
Korean EMI statement	379
Taiwan safety statement	379
Finnish laser statement	380

Australia380

Index.....381

1 MFP basics

Congratulations on your purchase of the HP Color LaserJet 4730mfp. If you have not done so, see the *HP Color LaserJet 4730mfp Start Guide* that is provided with the multifunction peripheral (MFP) for setup instructions.

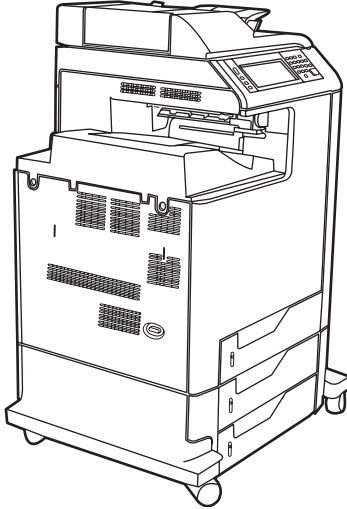
After the MFP is set up and ready to use, take a few moments to get to know the MFP. This chapter introduces the following topics:

- [HP Color LaserJet 4730mfp Series configurations](#)
- [Features and benefits of the multifunction peripheral \(MFP\)](#)
- [MFP parts and accessories](#)
- [Software](#)
- [Software for Macintosh computers](#)
- [Printer drivers](#)
- [Printer drivers for Macintosh computers](#)
- [Install checklist](#)

HP Color LaserJet 4730mfp Series configurations

The HP Color LaserJet 4730mfp series is available in the following configurations.

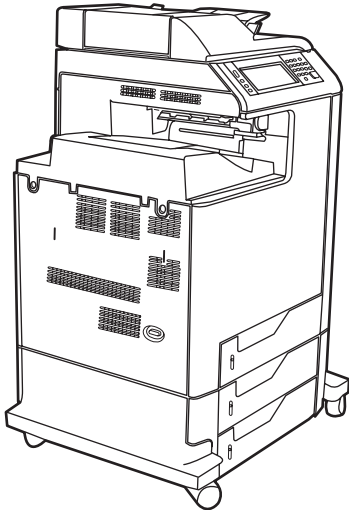
HP Color LaserJet 4730mfp (Q7517A-base model)



The HP Color LaserJet 4730mfp comes standard with the following items:

- A 100-sheet multi-purpose input tray (tray 1)
- 3-500 sheet input trays
- An automatic document feeder (ADF) that holds up to 50 pages
- An HP Jetdirect embedded print server for connecting to a 10/100Base-TX network
- 256 megabytes (MB) synchronous dynamic random access memory (SDRAM)
- Duplexer
- Hard-drive

HP Color LaserJet 4730x mfp (Q7518A)



The HP Color LaserJet 4730x mfp has the same features as the base model and also includes an analog fax accessory.

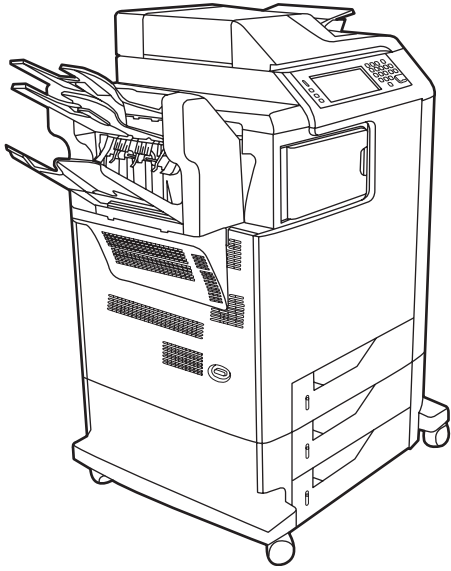
HP Color LaserJet 4730xs mfp (Q7519A)



The HP Color LaserJet 4730xs mfp has the same features as the base model and also includes the following items:

- An analog fax accessory
- An output accessory bridge
- A stapler/stacker accessory

HP Color LaserJet 4730xm mfp (Q7520A)



The HP Color LaserJet 4730xm mfp has the same features as the base model and also includes the following items:

- Output accessory bridge
- An analog fax accessory
- A 3-bin mailbox accessory

Features and benefits of the multifunction peripheral (MFP)

The HP Color LaserJet 4730mfp series is designed to be shared by a workgroup. Use the MFP to copy and print color and black-and-white documents or to digitally send color or black-and-white documents. The MFP is a standalone copier that does not require connection to a computer. With the optional HP LaserJet Analog Fax Accessory 300 (included with some models), the MFP can also send and receive faxes.

Features list

Functions

- Two-sided copying (duplexing)
- Image modification
- Color digital sending
- Two-sided document finishing
- Network printing

Speed and throughput

- 31 pages per minute (ppm) when copying and printing on letter-size paper; 30 ppm when copying and printing on A4-size paper
- 25% to 400% scalability when using the scanner glass
- 25% to 200% scalability when using the automatic document feeder (ADF)
- Less than 10 seconds to print the first page
- Transmit Once, Raster Image Processing (RIP) ONCE technology
- Duty cycle of up to 85,000 pages per month
- 533 megahertz (MHz) microprocessor

Resolution

- 600 dots per inch (dpi) with Resolution Enhancement technology (REt)
- The product features HP FastRes and HP Resolution Enhancement technology (REt) for 1200 by 1200 effective dpi at full engine speed.

Memory

- 256 megabytes (MB) of random-access memory (RAM), expandable to 512 MB by using industry standard 100-pin double data rate dual inline memory modules (DDR DIMMs)
- Memory Enhancement technology (MEt) that automatically compresses data to use RAM more efficiently

User interface

- Graphic display on the control panel
- An embedded Web server to gain access to support and order supplies (for network-connected products)
- HP Easy Printer Care software (a Web-based status and troubleshooting tool)
- Internet-enabled supply-ordering capabilities using HP Easy Printer Care software

Languages and fonts

- HP Printer Command Language (PCL) 6
- HP PCL 5e for compatibility
- Printer Management Language
- PDF
- XHTML
- 80 scalable TrueType typefaces
- HP PostScript® 3 emulation (PS)

Copying and sending

- Modes for text, graphics, and mixed text and graphics formats
- A job-interrupt feature (at copy boundaries)
- Multiple pages per sheet
- Operator attendance animations (for example, jam recovery)
- E-mail compatibility
- A sleep feature that saves energy
- Automatic duplex (two-sided) scanning

Print cartridge (4 cartridges)

- Prints up to 12,000 pages at 5% coverage
- No-shake cartridge design
- Authentic HP print cartridge detection
- Automatic toner strip remover

Paper-handling

- **Input**
 - **Tray 1 (multipurpose tray):** A multipurpose tray for paper, transparencies, labels, and envelopes. Holds up to 100 sheets of paper or 20 envelopes.
 - **Tray 2, 3, and 4:** 500-sheet trays. These trays automatically detect standard paper sizes up to legal and allow printing on custom-size paper.
 - **Automatic document feeder (ADF):** Holds up to 50 sheets of paper.
 - **Duplex printing and copying:** Provides two-sided printing and copying (printing on both sides of the paper).
 - **ADF duplex scanning:** The ADF has an automatic duplexer for scanning two-sided documents.
- **Output**
 - **Standard output bin:** The standard output bin is located on the left side of the MFP. This bin can hold up to 500 sheets of paper.
 - **ADF output bin:** The ADF output bin is underneath the ADF input tray. The bin holds up to 50 sheets of paper, and the MFP automatically stops when this bin is full.
 - **Optional stapler/stacker:** The stapler/stacker staples up to a 30 sheet document and stacks up to 500 sheets.
 - **Optional 3-bin mailbox:** One bin stacks up to 500 sheets, and two bins stack up to 100 sheets each for a total capacity of 700 sheets.

Connectivity

- IEEE 1284C-compliant parallel connection
- A Foreign Interface Harness (FIH) connection (AUX) for connecting other devices
- Local area network (LAN) connector (RJ-45) for the embedded HP Jetdirect print server
- Optional analog fax card
- Optional HP Digital Sending Software (DSS)
- Optional enhanced input/output (EIO) cards
- USB 2.0
- ACC port (accessory port with USB host capabilities)
- Accessory port (for connecting third-party devices)

Environmental features

- The Sleep setting saves energy (meets ENERGY STAR® guidelines, Version 1.0).



NOTE See [Protecting the environment](#) for more information.

Security features

- Foreign Interface Harness (FIH)
- Secure Disk Erase
- Security lock
- Job retention
- DSS authentication

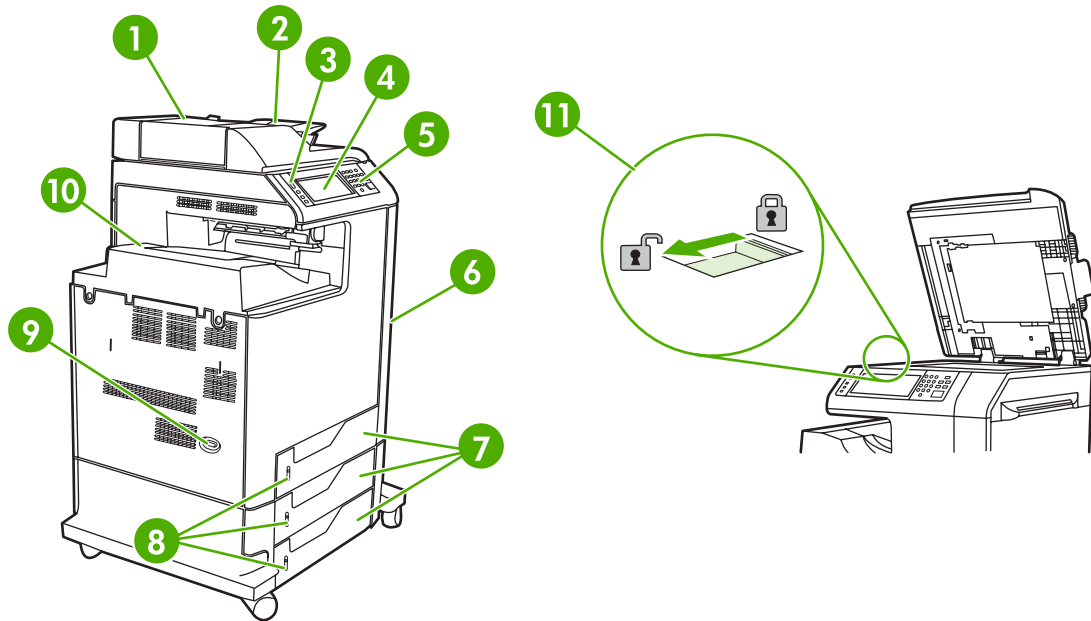
Minimum system requirements

To use the e-mail functionality, the MFP must be connected to an IP-based network that has a simple mail transfer protocol (SMTP) server. This server can either be on the local area network or at an outside Internet service provider (ISP). HP recommends that the MFP be located on the same local area network (LAN) as the SMTP server. If you are using an ISP, you must connect to the ISP by using a digital subscriber line (DSL) connection. If you are obtaining e-mail services from an ISP, ask the ISP to provide the correct SMTP address. Dial-up connections are not supported. If you do not have an SMTP server on your network, third-party software is available that allows you to create an SMTP server. However, purchase and support of this software is your responsibility.

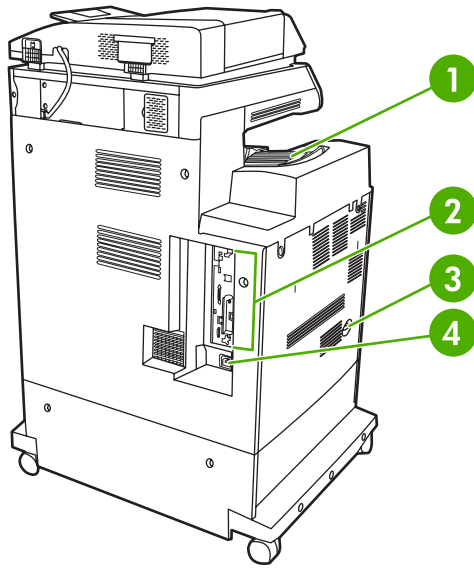
MFP parts and accessories

Identifying parts of the MFP

Before using the MFP, familiarize yourself with the parts of the MFP.



1	ADF top cover
2	Automatic document feeder (ADF) input tray for copy/scan/fax originals
3	Control-panel status lights
4	Control-panel display with touch-screen functionality
5	Control-panel keypad
6	Right-side covers (provides access to the print cartridges and other consumables)
7	Tray 2, 3, and 4
8	Paper-level indicators
9	On/Off switch
10	Output bin
11	Scanner lock



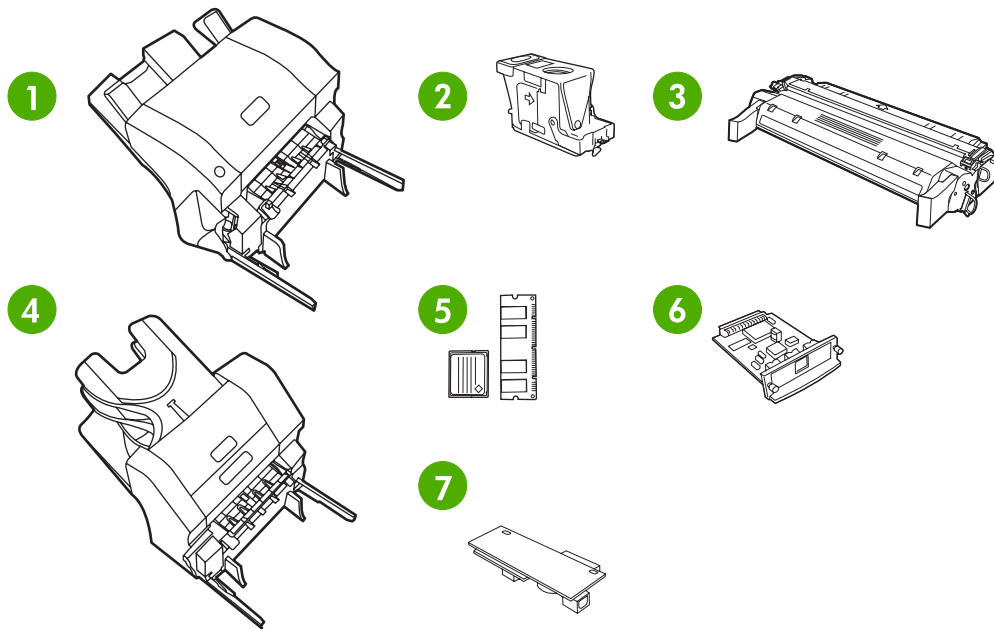
- | | |
|---|------------------|
| 1 | Output bin |
| 2 | Interface ports |
| 3 | On/off switch |
| 4 | Power connection |

Accessories and supplies

You can increase the capabilities of the MFP by adding optional accessories. For information about ordering accessories and supplies, see [Ordering parts, accessories, and supplies](#).



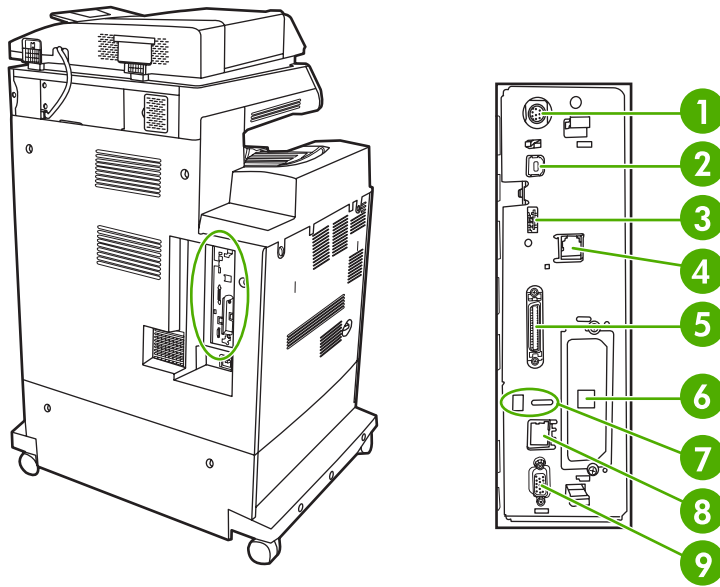
NOTE Use the accessories and supplies that have been specifically designed for the MFP in order to ensure optimum performance.



1	Stapler/stacker (Q7521A). This accessory includes an output accessory bridge.
2	Staple cartridge (C8091A)
3	Print cartridge (4 print cartridges) (Q6460A, Q6461A, Q6462A, and Q6463A)
4	3-bin mailbox (Q7523A) This accessory includes an output accessory bridge.
5	Memory DIMMS and flash memory cards
6	HP Jetdirect print server (EIO card)
7	HP LaserJet analog fax accessory 300 (Q3701A)

Interface ports

The MFP has five ports for connecting to a computer or a network. The ports are at the left, rear corner of the MFP.



1	Foreign interface harness (FIH)
2	USB 2.0
3	ACC (accessory port uses host USB protocol)
4	Fax connection (for connecting to an optional analog fax accessory)
5	Parallel port
6	EIO interface expansion slot
7	Access port for Kensington lock
8	Network connection (embedded HP Jetdirect print server)
9	AUX port

Moving the MFP

Before moving the MFP, be sure to lock the scanner. The scanner lock is underneath the scanner lid, to the left of the scanner glass.

Software

The MFP comes with helpful software, including printer drivers and optional software. For easy MFP setup and access to the full range of MFP features, HP recommends that you install the software that is provided.

Check the installation notes and Readme files on the MFP CD-ROM for additional software and languages. HP software is not available in all languages.

Operating systems and MFP components

The MFP CD-ROM contains the software components and drivers for users and network administrators. The printer drivers that are provided on the CD-ROM must be installed in order to take full advantage of MFP features. The other programs are recommended, but are not required for operation. Check the installation notes and Readme files on the MFP CD-ROM for more information.

The CD-ROM includes software that is designed for users and network administrators who are operating in the following environments:

- Microsoft® Windows® 98 and Windows Millennium Edition (Me)
- Microsoft Windows 2000, Windows XP, and Windows Server 2003
- Apple Mac OS X version 10.2 or later

The most recent printer drivers for all supported operating systems are available at http://www.hp.com/go/clj4730mfp_software. If you do not have access to the Internet, see the support flyer that came in the MFP box for information about obtaining the most recent software.

The following table lists the available software for the MFP.

Software	Windows 98/Me	Windows 2000/XP/Server 2003	Mac OS	UNIX®	Linux ²	OS/2
Windows Installer	x	x				
PCL 5 ³	x	x				
PCL 6	x	x				
PostScript emulation ³	x	x	x			
HP Web Jetadmin ¹		x		x		
Macintosh Installer			x			
Macintosh PostScript Printer Description (PPD) files			x			
IBM drivers ¹						x
Model scripts ²				x		

¹ Available only on the World Wide Web.

² The Linux driver is available at <http://hpinkjet.sourceforge.net>. The Linux PPD file for all LaserJets is available at <http://linuxprinting.org>.

³ Install by using the **Custom Install**.



NOTE You can also purchase the optional HP Digital Sending Software, which provides digital fax capability. For more information go to <http://www.hp.com/go/digitalsending>.

Software features

Automatic Configuration, Update Now, and Preconfiguration features are available with the MFP.

Driver Autoconfiguration

The HP LaserJet PCL 6 and PCL 5c drivers for Windows and the PS drivers for Windows 2000 and Windows XP feature automatic discovery and driver configuration for printer accessories at the time of installation. Some accessories that Driver Autoconfiguration supports are the duplexing unit, optional paper trays, and dual inline memory modules (DIMMs). If the environment supports bidirectional communication, the installer presents Driver Autoconfiguration as an installable component by default for a Typical Installation and for a Custom Installation.

Update Now

If you have modified the configuration of the HP Color LaserJet 4730mfp series since installation, the driver can be automatically updated with the new configuration in environments that support bidirectional communication. Click the **Update Now** button to automatically reflect the new configuration in the driver.



NOTE The Update Now feature is not supported in environments where shared Windows 2000 or Windows XP clients are connected to Windows 2000 or Windows XP hosts.

HP Driver Preconfiguration

HP Driver Preconfiguration is a software architecture and set of tools that allows HP software to be customized and distributed in managed corporate printing environments. Using HP Driver Preconfiguration, information technology (IT) administrators can preconfigure the printing and device defaults for HP printer drivers before installing the drivers in the network environment. For more information, see the *HP Driver Preconfiguration Support Guide*, available at <http://www.hp.com/support/clj4730mfp>.

Installing the printing system software

The following sections contain instructions for installing the printing system software.

The MFP comes with printing system software and printer drivers on a CD-ROM. The printing system software on the CD-ROM must be installed to take full advantage of the MFP features.

If you do not have access to a CD-ROM drive, you can download the printing system software from the Internet at <http://www.hp.com/support/clj4730mfp>.



NOTE Sample model scripts for UNIX® (HP-UX®, Sun Solaris) are available at <http://www.hp.com/go/unixmodelscripts>. Sample model scripts for Linux networks are available at <http://linuxprinting.org>.

You can download the latest software free of charge at <http://www.hp.com/support/clj4730mfp>.

Installing Windows printing system software for direct connections

This section explains how to install the printing system software for Microsoft Windows 98, Windows Me, Windows 2000, and Windows XP.

When installing the printing software in a direct-connect environment, always install the software before connecting the parallel or USB cable. If the parallel or USB cable was connected before the software installation, see [Installing the software after the parallel or USB cable has been connected](#).

Either a parallel or USB cable can be used for the direct connection. However, you cannot connect parallel and USB cables at the same time. Use an IEEE 1284-compatible cable or a standard 2-meter USB cable.

To install the printing system software

1. Close all software programs that are open or running.
2. Insert the MFP CD-ROM into the CD-ROM drive.

If the welcome screen does not open, start it by using the following procedure:

- On the **Start** menu, click **Run**.
 - Type the following: `X:\setup` (where X is the letter of the CD-ROM drive).
 - Click **OK**.
3. When prompted, click **Install Printer** and follow the instructions on the computer screen.
 4. Click **Finish** when the installation has completed.
 5. You might need to restart the computer.
 6. Print a Test Page or a page from any software program to make sure that the software is correctly installed.

If installation fails, reinstall the software. If this fails, check the installation notes and Readme files on the MFP CD-ROM or the flyer that came in the MFP box, or go to <http://www.hp.com/support/clj4730mfp> for help or more information.

Installing Windows printing system software for networks

The software on the MFP CD-ROM supports network installation with a Microsoft network. For network installation on other operating systems, go to <http://www.hp.com/support/clj4730mfp>.

The HP Jetdirect embedded print server in the HP Color LaserJet 4730mfp includes a 10/100 Base-TX network port. If you need an HP Jetdirect print server with another type of network port, see [Ordering parts, accessories, and supplies](#), or go to <http://www.hp.com/support/clj4730mfp>.

The installer does not support MFP installation or MFP object creation on Novell servers. It supports only direct-mode network installations between Windows computers and a MFP. To install your MFP and create objects on a Novell server, use an HP utility (such as HP Web Jetadmin) or a Novell utility (such as NWAdmin).

To install the printing system software

1. If you are installing the software on Windows 2000 or Windows XP, make sure that you have administrator privileges.
2. Make sure that the HP Jetdirect print server is configured correctly for the network by printing a configuration page (see [Configuration page](#)). On the second page, locate the MFP IP address. You might need this address to complete network installation.
3. Close all software programs that are open or running.
4. Insert the MFP CD-ROM into the CD-ROM drive.

If the welcome screen does not open, start it by using the following procedure:

- On the **Start** menu, click **Run**.
 - Type the following: X:\setup (where X is the letter of the CD-ROM drive).
 - Click **OK**.
5. When prompted, click **Install Printer** and follow the instructions on the computer screen.
 6. Click **Finish** when installation has completed.
 7. You might need to restart the computer.
 8. Print a Test Page or a page from any software program to make sure that the software is correctly installed.

If installation fails, reinstall the software. If this fails, check the installation notes and Readme files on the MFP CD-ROM or the flyer that came in the MFP box, or go to <http://www.hp.com/support/clj4730mfp> for help or more information.

To set up a Windows computer to use the network MFP using Windows-sharing

If the computer will print directly to the MFP, you can share the MFP on the network so that other network users can print to it.

See your Windows documentation to enable Windows-sharing. After the MFP is shared, install the MFP software on all computers that share the MFP.

Installing the software after the parallel or USB cable has been connected

If you have already connected a parallel or USB cable to a Windows computer, the **New Hardware Found** dialog box appears when you turn on the computer.

To install the software for Windows 98 or Windows Me

1. In the **New Hardware Found** dialog box, click **Search CD-ROM drive**.
2. Click **Next**.
3. Follow the instructions on the computer screen.
4. Print a Test Page or a page from any software program to make sure that the software is correctly installed.

If installation fails, reinstall the software. If this fails, check the installation notes and readme files on the MFP CD-ROM or the flyer that came in the MFP box, or go to <http://www.hp.com/support/clj4730mfp> for help or more information.

To install the software for Windows 2000 or Windows XP

1. In the **New Hardware Found** dialog box, click **Search**.
2. On the **Locate Driver Files** screen, select the **Specify a Location** check box, clear all other check boxes, and then click **Next**.
3. Type the letter for the root directory. For example, X:\ (where "X:\" is the letter of the root directory on the CD-ROM drive).

4. Click **Next**.
5. Follow the instructions on the computer screen.
6. Click **Finish** when installation has completed.
7. Select a language and follow the instructions on the computer screen.
8. Print a Test Page or a page from any software program to make sure that the software is correctly installed.

If installation fails, reinstall the software. If this fails, check the installation notes and readme files on the MFP CD-ROM or the flyer that came in the MFP box, or go to <http://www.hp.com/support/cj4730mfp> for help or more information.

Uninstalling the MFP software

This section explains how to uninstall the printing system software.

To remove software from Windows operating systems

Use the Uninstaller in the HP Color LaserJet 4730mfp/Tools program group to select and remove any or all of the Windows HP printing system components.

1. Click **Start** and then click **Programs**.
2. Point to **HP Color LaserJet 4730mfp**.
3. Click **Uninstaller**.
4. Click **Yes**.
5. Follow the instructions on the computer screen to complete the uninstallation.

Software for networks

Summary of HP networking solutions

For a summary of available HP network installation and configuration software solutions, see the *HP Jetdirect Print Server Administrator's Guide*. You can find this guide on the CD-ROM included with the MFP.

HP Web Jetadmin

HP Web Jetadmin allows you to manage HP Jetdirect-connected printers within your intranet using a browser. HP Web Jetadmin is a browser-based management tool, and should be installed only on a single network administration server. It can be installed and run on these systems:

- Fedora Core and SuSE Linux
- Windows 2000 Professional, Server, and Advanced Server
- Windows Server 2003
- Windows XP Professional Service Pack 1

When installed on a host server, HP Web Jetadmin can be accessed by any client through a supported web browser, such as Microsoft Internet Explorer 5.5 and 6.0 or Netscape Navigator 7.0.

HP Web Jetadmin has the following features:

- Task-oriented user interface provides configurable views, saving network managers significant time.
- Customizable user profiles let network administrators include only the function viewed or used.
- Instant e-mail notification of hardware failure, low supplies, and other MFP problems now route to different people.
- Remote installation and management from anywhere using only a standard Web browser.
- Advanced autodiscovery locates peripherals on the network, without manually entering each printer into a database.
- Simple integration into enterprise management packages.
- Ability to quickly find peripherals based on parameters such as IP address, color capability, and model name.
- Ability to easily organize peripherals into logical groups, with virtual office maps for easy navigation.
- Ability to manage and configure multiple printers at once.

To download a current version of HP Web Jetadmin and to see the latest list of supported host systems, visit HP Customer Care Online at <http://www.hp.com/go/webjetadmin>.

UNIX

The HP Jetdirect Printer Installer for UNIX is a simple printer installation utility for HP-UX and Solaris networks. It is available for download from HP Customer Care Online at http://www.hp.com/support/net_printing.

Utilities

MFP utilities

The HP Color LaserJet 4730mfp series MFP is equipped with several utilities, which make it easy to monitor and manage the MFP on a network.

HP Easy Printer Care Software

The HP Easy Printer Care Software is a software program that you can use for the following tasks:

- Viewing color usage information
- Checking the printer status
- Checking the supplies status
- Setting up alerts
- Viewing printer documentation
- Gaining access to troubleshooting and maintenance tools

You can view the HP Easy Printer Care Software when the printer is directly connected to your computer or when it is connected to a network. Perform a complete software installation in order to use the HP Easy Printer Care Software. For more information, see <http://www.hp.com/go/easyprintercare>.

Embedded Web server

This MFP is equipped with an embedded Web server, which allows access to information about MFP and network activities. A Web server provides an environment in which web programs may run, much in the same way that an operating system, such as Windows, provides an environment for programs to run on your computer. The output from these programs can then be displayed by a Web browser, such as Microsoft Internet Explorer or Netscape Navigator.

When a Web server is "embedded", that means it resides on a hardware device (such as a printer) or in firmware, rather than as software that is loaded on a network server.

The advantage of an embedded Web server is that it provides an interface to the MFP that anyone can access with a network-connected computer or a standard Web browser. There is no special software to install or configure. For more information about the HP embedded Web server, see the *Embedded Web Server User Guide*. You can find this guide on the CD-ROM included with the MFP.

Features

The HP embedded Web server allows you to view MFP and network card status and manage printing functions from your computer. With the HP embedded Web server, you can do the following:

- View MFP status information.
- Determine the remaining life on all supplies and order new ones.
- View and change tray configurations.
- View and change the MFP control panel menu configuration.
- View and print internal pages.
- Receive notification of MFP and supplies events.
- Add or customize links to other Web sites.
- Select the language in which to display the embedded Web server pages.
- View and change network configuration.

For a complete explanation of the features and functionality of the embedded Web server, see [Using the embedded Web server](#).

Other components and utilities

Several software applications are available for Windows and Mac OS users, as well as for network administrators.

Windows	Mac OS	Network administrator
<ul style="list-style-type: none">• Software installer — automates the printing system installation• Online Web registration	<ul style="list-style-type: none">• PostScript Printer Description files (PPDs) — for use with the Apple PostScript drivers that comes with the Mac OS• HP LaserJet Utility (available from the Internet) — a printer management utility for Mac OS users	<ul style="list-style-type: none">• HP Web Jetadmin — a browser-based system management tool. See http://www.hp.com/go/webjetadmin for the latest HP Web Jetadmin software• HP Jetdirect Printer Installer for UNIX — available for download from http://www.hp.com/support/net_printing

Software for Macintosh computers

The HP installer provides PostScript® Printer Description (PPD) files, Printer Dialog Extensions (PDEs), and the HP Printer Utility for use with Macintosh computers.

If both the printer and the Macintosh computer are connected to a network, use the printer embedded Web server (EWS) to configure the printer. For more information, see [Using the embedded Web server](#).

Installing Macintosh printing system software for networks

This section describes how to install Macintosh printing system software. The printing system software supports Mac OS v9.1 and later and Mac OS X v10.2 and later.

The printing system software includes the following components:

- **PostScript Printer Description (PPD) files**

The PPDs, in combination with the Apple PostScript printer drivers, provide access to printer features. An installation program for the PPDs and other software is provided on the compact disc (CD) that came with the printer. Use the Apple PostScript printer driver that comes with the computer.

- **HP Printer Utility**

The HP Printer Utility provides access to features that are not available in the printer driver. Use the illustrated screens to select printer features and complete the following tasks with the printer:

- Name the printer.
- Assign the printer to a zone on the network.
- Assign an internet protocol (IP) address to the printer.
- Download files and fonts.
- Configure and set the printer for IP or AppleTalk printing.

You can use the HP Printer Utility when your printer uses a universal serial bus (USB) or is connected to a TCP/IP-based network.



NOTE The HP Printer Utility is supported for Mac OS X v10.2 or later.

For more information about using the HP Printer Utility, see [Using the HP Printer Utility for Macintosh](#).

To install printer drivers for Mac OS v9.1 and later

1. Connect the network cable between the HP Jetdirect print server and a network port.
2. Insert the CD into the CD-ROM drive. The CD menu runs automatically. If the CD menu does not run automatically, double-click the CD icon on the desktop.
3. Double-click the **Installer** icon in the HP LaserJet Installer folder.
4. Follow the instructions on the computer screen.
5. On the computer hard drive, open **Applications**, open **Utilities**, and then open **Desktop Printer Utility**.

6. Double-click **Printer (AppleTalk)**.
7. Next to **AppleTalk Printer Selection**, click **Change**.
8. Select the printer, click **Auto Setup**, and then click **Create**.



NOTE The icon on the desktop looks generic. All of the print panels appear in the print dialog box with each software program.

To install printer drivers for Mac OS X v10.2 and later

1. Connect the network cable between the HP Jetdirect print server and a network port.
2. Insert the CD into the CD-ROM drive.

The CD menu runs automatically. If the CD menu does not run automatically, double-click the CD icon on the desktop.

3. Double-click the **Installer** icon in the HP LaserJet Installer folder.
4. Follow the instructions on the computer screen.
5. On the computer hard drive, open **Applications**, open **Utilities**, and then open **Print Center** or **Printer Setup Utility**.



NOTE If you are using Mac OS X v10.4, then the **Printer Setup Utility** has replaced the **Print Center**.

6. Click **Add Printer**.
7. Select **Rendezvous** as the connection type.
8. Select your printer from the list.
9. Click **Add Printer**.
10. Close the Print Center or the Printer Setup Utility by clicking the close button in the upper-left corner.

Installing Macintosh printing system software for direct connections (USB)



NOTE Macintosh computers do *not* support parallel port connections.

This section explains how to install the printing system software for Mac OS v9.1 and later and Mac OS X v10.2 and later.

The Apple PostScript driver must be installed in order to use the PPD files. Use the Apple PostScript driver that came with your Macintosh computer.

To install the printing system software

1. Connect a USB cable between the USB port on the printer and the USB port on the computer. Use a standard 2-meter (6.56-foot) USB cable.
2. Insert the printer CD into the CD-ROM drive and run the installer.

The CD menu runs automatically. If the CD menu does not run automatically, double-click the CD icon on the desktop.
3. Double-click the **Installer** icon in the HP LaserJet Installer folder.
4. Follow the instructions on the computer screen.
5. For Mac OS v9.1 and later:
 - a. On the computer hard drive, open **Applications**, open **Utilities**, and then open **Print Center**.
 - b. Double-click **Printer (USB)**, and then click **OK**.
 - c. Next to **USB Printer Selection**, click **Change**.
 - d. Select the printer, and then click **OK**.
 - e. Next to **Postscript Printer Description (PPD) File**, click **Auto Setup**, and then click **Create**.
 - f. On the **Printing** menu, click **Set Default Printer**.

For Mac OS X v10.2 and later: USB queues are created automatically when the printer is attached to the computer. However, the queue will use a generic PPD if the installer has not been run before the USB cable is connected. To change the queue PPD, open the Print Center or Printer Setup Utility, select the correct printer queue, and then click **Show Info** to open the **Printer Info** dialog box. In the pop-up menu, select **Printer Model**, and then, in the pop-up menu in which **Generic** is selected, select the correct PPD for the printer.

6. Print a test page or a page from any software program to make sure that the software is correctly installed.

If installation fails, reinstall the software. If this fails, see the installation notes or late-breaking readme files on the printer CD or the flyer that came in the printer box, or go to <http://www.hp.com/support/clj4700> for help or more information.



NOTE The icon on the Mac OS v9.x desktop looks generic. All of the print panels appear in the Print dialog box with each software program.

To remove software from Macintosh operating systems

To remove the software from a Macintosh computer, drag the PPD files to the trash can.

Printer drivers

The product comes with software that allows the computer to communicate with the product (by using a printer language). This software is called a printer driver. Printer drivers provide access to product features, such as printing on custom-sized paper, resizing documents, and inserting watermarks.

Supported printer drivers

The following printer drivers are provided for the product. If the printer driver that you want is not on the product CD-ROM or is not available on <http://www.hp.com>, contact the manufacturer or distributor of the program that you are using, and request a driver for the product.



NOTE The most recent drivers are available at <http://www.hp.com>. Depending on the configuration of Windows-based computers, the installation program for the product software automatically checks the computer for Internet access in order to obtain the latest drivers.

Operating system ¹	PCL 6 printer driver	PCL 5 printer driver	PS printer driver	PPD ² printer driver
Microsoft Windows 98	X	X	X	
Windows Millennium (Me)	X	X	X	
Windows 2000	X	X	X	
Windows XP	X	X	X	
Windows Server 2003	X	X	X	
Mac OS 9.1 or later			X	X
Mac OS 10.2 or later			X	X

¹ Not all product features are available from all drivers or operating systems. See the context-sensitive help in the printer driver for available features.

² PostScript (PS) Printer Description files (PPDs)

Additional drivers

The following drivers are not included on the CD-ROM, but are available from the Internet.

- OS/2 PCL printer driver
- OS/2 PS printer driver.
- UNIX model scripts.
- Linux drivers.
- HP OpenVMS drivers.



NOTE The OS/2 drivers are available from IBM.

You can obtain Model Scripts for UNIX[®] and Linux by downloading them from the Internet or by requesting them from an HP-authorized service or support provider. For Linux support see www.hp.com/go/linux. For UNIX support see www.hp.com/go/jetdirectunix_software.

Select the correct printer driver

Select a printer driver based on the operating system that you are using and the way that you use the product. See the printer-driver Help for the features that are available. For information about gaining access to the printer-driver Help, see Printer-driver Help.

- The PCL 6 printer driver can provide the best overall performance and access to your printer features.
- The PCL 5 printer driver is recommended for general office monochrome and color printing.
- Use the PostScript (PS) driver if you are printing primarily from PostScript-based programs such as Adobe PhotoShop® and CorelDRAW®, for compatibility with PostScript Level 3 needs, or for PS flash font support.



NOTE The product automatically switches between PS and PCL printer languages.

Printer-driver Help (Windows)

Printer-driver Help is separate from program Help. The printer-driver help provides explanations for the buttons, checkboxes, and drop-down lists that are in the printer driver. It also includes instructions for performing common printing tasks, such as printing on both sides, printing multiple pages on one sheet, and printing the first page or covers on different paper.

Activate the printer-driver Help screens in one of the following ways:

- Click the **Help** button.
- Press the **F1** key on the computer keyboard.
- Click the question-mark symbol in the upper-right corner of the printer driver.
- Right-click on any item in the driver, and then click **What's This?**.

Gaining access to the printer drivers

Use one of the following methods to open the printer drivers from your computer:

Operating System	To change the settings for all print jobs until the software program is closed	To change the print job default settings (for example, turn on Print on Both Sides by default)	To change the configuration settings (for example, add a tray or enable/disable Manual Duplexing)
Windows 98 and Windows Millennium (Me)	<ol style="list-style-type: none">1. On the File menu in the software program, click Print.2. Select the HP Color LaserJet 4730mfp, and then click Properties. <p>The steps can vary; this procedure is most common.</p>	<ol style="list-style-type: none">1. Click Start, click Settings, and then click Printers.2. Right-click the HP Color LaserJet 4730mfp icon, and then select Properties (Windows 98 and Me) or Document Defaults (Windows NT 4.0).	<ol style="list-style-type: none">1. Click Start, click Settings, and then click Printers.2. Right-click the HP Color LaserJet 4730mfp icon, and then select Properties.3. Click the Configure tab.

Operating System	To change the settings for all print jobs until the software program is closed	To change the print job default settings (for example, turn on Print on Both Sides by default)	To change the configuration settings (for example, add a tray or enable/disable Manual Duplexing)
Windows 2000, XP, and Server 2003	<ol style="list-style-type: none"> 1. On the File menu in the software program, click Print. 2. Select the HP Color LaserJet 4730mfp, and then click Properties or Preferences. <p>The steps can vary; this procedure is most common.</p>	<ol style="list-style-type: none"> 1. Click Start, click Settings, and then click Printers or Printers and Faxes. 2. Right-click the HP Color LaserJet 4730mfp icon, and then select Printing Preferences. 	<ol style="list-style-type: none"> 1. Click Start, click Settings, and then click Printers or Printers and Faxes. 2. Right-click the HP Color LaserJet 4730mfp icon, and then select Properties. 3. Click the Device Settings tab.
Mac OS 9.1 or later	<ol style="list-style-type: none"> 1. On the File menu, click Print. 2. Change the settings that you want on the various pop-up menus. 	<ol style="list-style-type: none"> 1. On the File menu, click Print. 2. As you change settings on the pop-up menu, click Save Settings. 	<ol style="list-style-type: none"> 1. Click the desktop printer icon. 2. From the Printing menu, click Change Setup.
Mac OS 10.2	<ol style="list-style-type: none"> 1. On the File menu, click Print. 2. Change the settings that you want on the various pop-up menus. 	<ol style="list-style-type: none"> 1. On the File menu, click Print. 2. Change the settings that you want on the various pop-up menus. 3. On the Presets pop-up menu, click Save as and type a name for the preset. <p>These settings are saved in the Presets menu. To use the new settings, you must select the saved preset option every time you open a program and print.</p>	<ol style="list-style-type: none"> 1. In the Finder, on the Go menu, click Applications. 2. Open Utilities, and then open Print Center. 3. Click on the print queue. 4. On the Printers menu, click Show Info. 5. Click the Installable Options menu.
			 <p>NOTE Configuration settings might not be available in Classic mode.</p>
Mac OS 10.3	<ol style="list-style-type: none"> 1. On the File menu, click Print. 2. Change the settings that you want on the various pop-up menus. 	<ol style="list-style-type: none"> 1. On the File menu, click Print. 2. Change the settings that you want on the various pop-up menus. 3. On the Presets pop-up menu, click Save as and type a name for the preset. <p>These settings are saved in the Presets menu. To use the new settings, you must select the saved preset option every time you open a program and print.</p>	<ol style="list-style-type: none"> 1. Open Printer Setup Utility by selecting the hard drive, clicking Applications, clicking Utilities, then double-clicking Printer Setup Utility. 2. Click on the print queue. 3. On the Printers menu, click Show Info. 4. Click the Installable Options menu.

Printer drivers for Macintosh computers

The printer comes with printer-driver software that uses a printer language to communicate with the printer. Printer drivers provide access to printer features, such as printing on custom-sized paper, resizing documents, and inserting watermarks.

Supported printer drivers

A Macintosh printer driver and the necessary PPD files are included with the printer. If the printer driver that you want is not on the printer CD, check the installation notes and the late-breaking readme files to see if the printer driver is supported. If it is not supported, contact the manufacturer or distributor of the software program that you are using, and request a driver for the printer.




NOTE The most recent drivers are available at www.hp.com.

Gaining access to the printer drivers

Use one of the following methods to open the printer drivers from your computer.

Operating System	To change the settings for all print jobs until the software program is closed	To change the print job default settings (for example, turn on Print on Both Sides by default)	To change the configuration settings (for example, add a physical option such as a tray, or turn on or off a driver feature such as Allow Manual Duplexing)
Mac OS v9.1 or later	<ol style="list-style-type: none">1. On the File menu, click Print.2. Change any settings that you want to on the various pop-up menus.	<ol style="list-style-type: none">1. On the File menu, click Print.2. As you change settings on the pop-up menu, click Save Settings.	<ol style="list-style-type: none">1. Click the desktop printer icon.2. From the Printing menu, click Change Setup.

Operating System	To change the settings for all print jobs until the software program is closed	To change the print job default settings (for example, turn on Print on Both Sides by default)	To change the configuration settings (for example, add a physical option such as a tray, or turn on or off a driver feature such as Allow Manual Duplexing)
Mac OS X v10.2	<ol style="list-style-type: none"> 1. On the File menu, click Print. 2. Change any settings that you want to on the various pop-up menus. 	<ol style="list-style-type: none"> 1. On the File menu, click Print. 2. Change the settings that you want on the various pop-up menus, and then, on the Presets pop-up menu, click Save as and type a name for the preset. <p>These settings are saved in the Presets menu. To use the new settings, you must select the saved preset option every time you open a program and print.</p>	<ol style="list-style-type: none"> 1. In the Finder, on the Go menu, click Applications. 2. Open Utilities, and then open Print Center. 3. Click on the print queue. 4. On the Printers menu, click Show Info. 5. Click the Installable Options menu. <p> NOTE Configuration settings might not be available in Classic mode.</p>
Mac OS X v10.3	<ol style="list-style-type: none"> 1. On the File menu, click Print. 2. Change any settings that you want to on the various pop-up menus. 	<ol style="list-style-type: none"> 1. On the File menu, click Print. 2. Change the settings that you want on the various pop-up menus, and then, on the Presets pop-up menu, click Save as and type a name for the preset. <p>These settings are saved in the Presets menu. To use the new settings, you must select the saved preset option every time you open a program and print.</p>	<ol style="list-style-type: none"> 1. Open Printer Setup Utility by selecting the hard drive, clicking Applications, clicking Utilities, and then double-clicking Printer Setup Utility. 2. Click on the print queue. 3. On the Printers menu, click Show Info. 4. Click the Installable Options menu.

Install checklist

The following table is an installation checklist for the HP Color LaserJet 4730mfp series.

Table 1-1 HP Color LaserJet 4730mfp

✓	Item	Details
	Verify that the MFP is connected to an adequate power source.	A minimum of 10A (110V) or 5A (220V) circuit required. Do <i>not</i> use a power strip. Any devices attached to the same power source can lead to intermittent problems.
	Verify that MFP resides in an adequate space.	Adequate space so that the MFP may be accessed from all sides. Tight space makes the system difficult to access for jam clearing and service.
	Verify that surface has adequate, level support.	Ensure the MFP is on a level and stable surface. Ensure wheel locks are engaged.
	Verify that all orange tape and packaging materials have been removed.	See details in the <i>HP Color LaserJet 4730mfp series, Getting Started Guide</i> .
	Verify that the toner cartridges and paper have been installed in the MFP.	Use known good quality paper.
	Clean the scanner glass before unlocking the scanner. Wipe the glass gently with a clean, slightly damp lint-free cloth.	For more information, see To clean the scanner glass . Also see the <i>HP Color LaserJet 4730mfp series, Getting Started Guide</i> .
	Verify the scanner shipping lock has been moved to the unlocked position.	See details in the <i>HP Color LaserJet 4730mfp series, Getting Started Guide</i> .
	Verify the correct language and date/time are set.	See details in the <i>HP Color LaserJet 4730mfp series, Getting Started Guide</i> .
	Configure the e-mail gateways.	Press Menu , scroll to and touch CONFIGURE DEVICE, SENDING, E-MAIL, and FIND SEND GATEWAYS . If auto-discovery does not find the e-mail gateways, obtain the addresses from your network administrator and manually configure these on the MFP.
	If the fax accessory is installed, ensure it is properly configured.	Press Menu , scroll to and touch FAX , and then FAX SETUP SETTINGS . Fill in the date/time, location and fax header information. See details in the <i>HP LaserJet Analog Fax Accessory 300 User Guide</i> .
	Print the configuration pages.	Press Menu , press INFORMATION , and then press PRINT CONFIGURATION .
	On the configuration page printouts, verify the following: <ul style="list-style-type: none"> • LDAP gateway address displays. • SMTP gateway address displays. • All optional devices display (for example, the stapler/stacker or the 3-bin mailbox). 	The HP Color LaserJet 4730mfp Information & Training CD provides detailed information on how to read the configuration page.

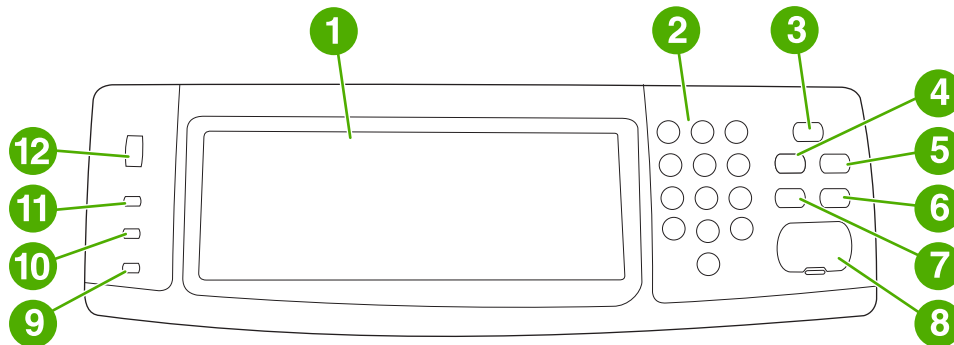
Table 1-1 HP Color LaserJet 4730mfp (continued)

✓	Item	Details
	<ul style="list-style-type: none">• If the fax accessory is installed, the modem status reads <i>Operational/Enabled</i>.• On the Embedded JetDirect Page, verify that the status reads <i>I/O Card Ready</i> and that you have a valid IP address.	
	Verify you can copy from the copier glass of the MFP.	Place configuration page face down on copier glass and press Start .
	Verify you can copy from the Automatic Document Feeder (ADF).	Place configuration page face up in ADF and press Start .
	Verify you can send a fax from the MFP.	Place document face up in the ADF and use the key pad to send to a known functioning fax number.
	Verify you can send an e-mail.	Place document face up in the ADF, use keypad to enter e-mail address (LDAP must be configured for this to function).
	Verify you can print to the MFP.	After loading the printing system software on a networked computer, print a test page from the driver.
	Verify the date and time are set.	The MFP will not print until the date and time have been set. See Setting the real-time clock for more information.
	Verify that all users have access to the User Training.	http://www.hp.com/go/usemymfp

2 Using the control panel

Control-panel layout

The control panel includes a touchscreen graphical display, job-control buttons, a numeric keypad, and three light-emitting diode (LED) status lights.



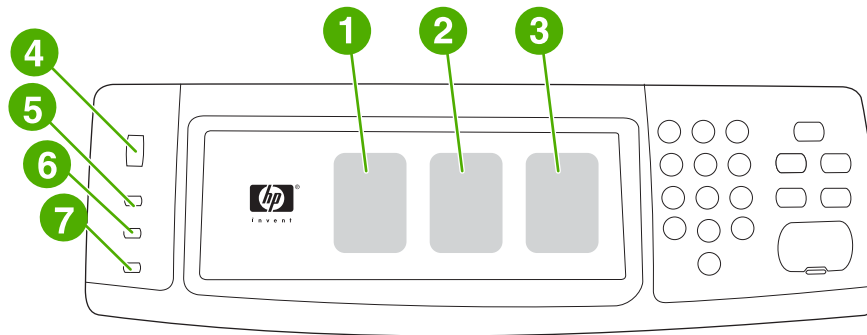
1	Touchscreen graphical display
2	Numeric keypad
3	Sleep button
4	Menu button
5	Status button
6	Stop button
7	Reset button
8	Start button
9	Attention light
10	Data light
11	Ready light
12	Display contrast adjustment

Control-panel features

Features/buttons	Function
?	Provides access to What is This? , Show Me How , and HELP FOR STATUS Help. This function is embedded in the touchscreen menus.
Reset	Resets the job settings to factory or user-defined default values.
Stop	Cancels the active job.
Start	Begins a copy job, starts digital sending, or continues a job that has been interrupted.
Numeric keypad	Allows you to type numeric values for number of copies required and other numeric values.
Sleep	If the MFP is inactive for a long period of time, it automatically enters a sleep mode. To place the MFP into sleep mode or to reactivate the MFP, press the Sleep button.
Status	Opens the SUPPLIES STATUS menu. From this menu, you can retrieve the status of the print cartridges, the fuser, and the transfer unit.
Menu	Opens the MFP menus.

Home-screen navigation

Use the following control-panel elements in the graphical display to gain access to MFP features.



- | | |
|---|---|
| 1 | Touch this to use the copy screen. For more information, see Copy-screen navigation . |
| 2 | Touch this to use the e-mail screen. For more information, see e-mail screen navigation . |
| 3 | Touch this to use the fax screen. For more information, see Faxing and see the <i>HP LaserJet Analog Fax Accessory 300 User Guide</i> . |
| 4 | Rotate this dial to increase or decrease screen brightness. |
| 5 | The Ready light indicates that the MFP is ready. |
| 6 | The Data light indicates that the MFP is receiving data. |
| 7 | The Attention light indicates that the MFP has a problem and requires user intervention. |



NOTE If installing the optional HP Digital Sending Software (DSS), additional fields appear on the control-panel display. Scroll down to see all the fields.

Help system

At any time, you can gain access to the help system on the touchscreen of the graphical display by touching ?.

What is This? Help

The MFP provides information about any topic on the touchscreen of the graphical display.

On the top level screen, touch ? (Help button), and then touch **What is This?**. After touching an item, a pop-up dialog box opens and displays information about the item you touched. After reading the information, touch any other area on the screen to remove the **What is This?** pop-up dialog box.

On other levels of the touchscreen, you can gain access to the Help system by touching ? (Help button), which is located in the upper-left corner of each screen.

Show Me How Help

The **Show Me How** Help contains information about how to use the MFP features.

1. On the graphical touchscreen display on the control panel, touch ? (Help button).
2. Touch **Show Me How**. Choose a topic from the **What is This?** screen by touching an item. You can use the scroll bar to display more topics. After touching an item, an instruction sheet will print.
3. Touch **OK** to go back to the main window.

Show Me How also appears in a **What is This?** pop-up dialog box if the item that you select is a function that includes instructions. For example, if you touch **What is This?** Help, and then touch **mopies**, you see a **Show Me How** button in the pop-up dialog box. Touch the **Show Me How** button for information about how to enhance your copies.

Menu map

To see the current settings for the menus and items that are available in the control panel, print a control-panel menu map:

1. Press **Menu**.
2. Touch **INFORMATION**.
3. Touch **PRINT MENU MAP**.

Many of these values can be overridden from the driver or program. You might want to store the menu map near the MFP for reference.

The content of the menu map varies, depending on the options currently installed in the MFP. For a complete list of control-panel items and possible values, see the sections for each menu in this chapter.



Retrieve job menu

The Retrieve job menu contains options for retrieving proof and hold jobs, private jobs, quick copy job, and stored jobs, The following table displays the options available in the Retrieve job menu.

Item	Values	Explanation
USER	JOB	Allows you to select the job to be retrieved. After selecting the job, the PRINT and DELETE options display. Select PRINT to enter the number of copies. Select DELETE to delete the job. If you are retrieving a secured job, both the PRINT and DELETE options contain a dialog box where you must enter the PIN number.



NOTE If no private, stored, quick copy, or proof-and-hold jobs are stored on the MFP hard disk or in RAM memory, the message **NO STORED JOBS** appears when the menu is selected.

1. A list of user names appears on the control-panel display.
2. Press **Menu**.
3. Touch **RETRIEVE JOB**.
4. Touch a user name, and then a list of stored jobs for that user appears.
5. Touch a job name, and then print or delete the job. If a job requires a PIN to print,  (lock symbol) appears next to the **PRINT** command and a PIN must be provided. If a job requires a PIN to delete,  (lock symbol) appears next to the **DELETE** command and a PIN must be provided.
6. If you touch **PRINT**, the MFP prompts for the number of copies to print (1 to 32,000).

Information menu

To print an information page, scroll to and touch the information page(s) that you want.

Item	Explanation
PRINT MENU MAP	Generates a menu map that shows layout and current settings of the control menu items. The MFP will return to the Ready state when the page is completed.
PRINT CONFIGURATION	Generates a page detailing the current configuration of the MFP. The MFP will return to the online Ready state when the page is completed.
PRINT SUPPLIES STATUS PAGE	Generates a page that shows the number of pages remaining for each supply in the MFP. The MFP will return to the online Ready state when the page is completed.
SUPPLIES STATUS	This page does not print. It displays status only.
PRINT USAGE PAGE	Generates a page that contains information that could be used for cost accounting. The MFP will return to the online Ready state when the page is completed.
PRINT DEMO	Generates a demonstration page. The MFP will return to the online Ready state when the page is completed.
PRINT RGB SAMPLES	Generates a page that displays RGB colors. The MFP will return to the online Ready state when the page is completed.
PRINT CMYK SAMPLES	Generates a page that displays CMYK colors. The MFP will return to the online Ready state when the page is completed.
PRINT FILE DIRECTORY	Generates a directory page containing information for all installed mass storage devices. The MFP will return to the online Ready state when the page is completed.
PRINT PCL FONT LIST	Generates a typeface list of all PCL fonts available on the MFP. The MFP will return to the online Ready state when the page is completed.
PRINT PS FONT LIST	Generates a typeface list of all PS fonts available on the MFP. The MFP will return to the online Ready state when the page is completed.

Fax menu

This menu will appear only if the HP LaserJet analog fax accessory 300 is installed. For information about the Fax menu, see the *HP LaserJet Analog Fax Accessory 300 User Guide*. A printed copy of this guide is provided with the HP LaserJet 4730x mfp, HP LaserJet 4730xs mfp, and HP LaserJet 4730xm mfp.

Paper handling menu

When paper-handling settings are correctly configured through the control panel, you can print by selecting the type and size of paper from the driver or software application. For more information, see [Selecting print media](#).

Some items in this menu (such as duplex and manual feed) are available from a software program, or from the printer driver (if the correct printer driver is installed). Printer-driver and software-program settings override control-panel settings.



NOTE Items that have an asterisk (*) are the default values.

Item	Values	Explanation
TRAY 1 SIZE	ANY SIZE*	Allows you to set the media size for tray 1.
	LETTER	
	LEGAL	
	EXECUTIVE	
	STATEMENT	
	8.5X13	
	A4	
	A5	
	B5(JIS)	
	EXECUTIVE(JIS)	
	DPOSTCARD(JIS)	
	DPOSTCARD (JIS)	
	16K	
	ENVELOPE #10	
	ENVELOPE MONARCH	
	ENVELOPE C5	
ENVELOPE DL		
ENVELOPE B5		
CUSTOM		
TRAY 1 TYPE	ANY TYPE*	Allows you to specify the type of media in tray 1.
	PLAIN	
	PREPRINTED	
	LETTERHEAD	
	TRANSPARENCY	
	PREPUNCHED	

Item	Values	Explanation
	LABELS	
	BOND	
	RECYCLED	
	COLOR	
	LIGHT <75 G/M2	
	INTERMEDIATE90-104	
	HEAVY 105-119 G/M2	
	EXTRA HEAVY120-163	
	CARDSTOCK >163	
	ROUGH 90-105 G/M2	
	GLOSSY 75-105 G/M2	
	HEAVY GLOSSY120-160	
	EXTRA HEAVY GLOSSY	
	TOUGH PAPER	
	ENVELOPE	
TRAY <N> SIZE	LETTER*	Allows you to set the media size for tray 2, tray 3, and tray 4. Substitute the tray number for <N>.
	LEGAL	
	EXECUTIVE	
	8.5X13	
	A4	
	A5	
	B5(JIS)	
	EXECUTIVE(JIS)	
	16K	
	CUSTOM	
	ANY CUSTOM	
TRAY <N> TYPE	PLAIN*	
	PREPRINTED	
	LETTERHEAD	
	TRANSPARENCY	
	PREPUNCHED	
	LABELS	
	BOND	

Item	Values	Explanation
	RECYCLED	
	COLOR	
	LIGHT <75 G/M2	
	INTERMEDIATE90-104	
	HEAVY 105-119 G/M2	
	ROUGH 90-105 G/M2	
	GLOSSY 75-105 G/M2	
	TOUGH PAPER	

Configure device menu

This menu contains all of the administrative functions.




NOTE Items that have an asterisk (*) are the default values.

Originals submenu



Although you can gain access to each item using the touchscreen graphical display, you can also select copying and sending items through the MFP menus. To gain access to this menu, touch **CONFIGURE DEVICE**, and then touch **ORIGINALS**.

Item	Values	Explanation
PAPER SIZE	EXECUTIVE	Sets the paper size of the original document.
	LETTER*	
	LEGAL	
	A5	
	A4	
	B5(JIS)	
	8.5X13	
	STATEMENT	
MIXED LTR/LGL		
NUMBER OF SIDES	1*	Indicates whether one side or both sides of the original document are scanned.
	2	The MFP prompts you to turn the page over if 2 is selected and the original is placed on the flatbed.
ORIENTATION	PORTRAIT*	Indicates whether the orientation of the original is portrait (short-edge top) or landscape (long-edge top).
	LANDSCAPE	
CONTENT	TEXT	Describes the type of image on the original.
	PHOTO	Select PHOTO if the original consists of graphic images, or TEXT if the image consists of text only.
	GLOSSY PHOTO	
	MIXED*	Select GLOSSY PHOTO for continuous tone originals.
	Select MIXED if the original contains graphics and text. Describe the Text/Photo Mix with a value from 0 to 8, where 0 represents mostly text, and 8 represents mostly graphics.	

Item	Values	Explanation
		 NOTE You can override any of these settings for a particular job by using the Copy screen.
DENSITY	0 to 8 Default=4	Specifies the contrast and brightness of the image. You can choose from nine increments. 0 =darkest 8 =lightest

Copying submenu

To gain access to this menu, touch **CONFIGURE DEVICE**, and then touch **COPYING**.

Item	Values	Explanation
COLOR MODE	COLOR COPIES BLACK COPIES	Indicates whether copies should be printed in color or black-and-white.
NUMBER OF SIDES	1* 2	Indicates whether images should be printed on one side or both sides of the copy.
COLLATE	OFF ON*	Indicates whether copies should be collated or not collated.
PAPER DESTINATION	OUTPUT BIN 1* OUTPUT BIN 2* OUTPUT BIN 3*	Select the output bin on the optional 3-bin mailbox. Output Bin 1 is the default bin for copying. Output Bin 2 is the default bin for faxing. Output Bin 3 is the default bin for printing.
		 NOTE This item appears only if an optional 3-bin mailbox is installed.
COPIES	1–999	Indicates the number of copies made when you press Start without selecting the number of copies by using the numeric keypad.
STAPLE	NONE* 1-EDGE	To enable stapling, select 1-EDGE .
		 NOTE This item is available only if the stapler/stacker is installed.
FIRST COPY SPEED	NO EARLY WARM UP* EARLY WARM UP	Select NO EARLY WARM UP to disable the Fast First Copy feature. Using the Fast First Copy feature can cause excessive wear on the MFP. This is the default setting. Select EARLY WARM UP to enable the Fast First Copy feature, which decreases the time that the

Item	Values	Explanation
		MFP requires to make a copy when it has been idle for awhile.

Enhancement submenu


To gain access to this menu, touch **CONFIGURE DEVICE**, and then touch **ENHANCEMENT**.

Item	Values	Explanation
SHARPNESS	0 to 4	Specifies the sharpness setting. 0 =minimum sharpness 4 =maximum sharpness DEFAULT=2
BACKGROUND REMOVAL	0 to 8	Controls the amount of background material from the original that is eliminated on the copy. Background removal is useful when you copy both sides and do not want the material on the first side to be visible on the second side of the copy. 0 =minimum background removal (more background is visible) 8 =maximum background removal (less background is visible) DEFAULT=2

Sending submenu

To gain access to this menu, touch **CONFIGURE DEVICE**, and then touch **SENDING**.


Item	Values	Options	Explanation
E-MAIL	SCAN PREFERENCE	BLACK AND WHITE	Determines whether the document is scanned in color or black and white.
		COLOR*	
	FILE TYPE	PDF*	Specifies the file format of the e-mail attachment.
		M-TIFF	
TIFF			
FILE SIZE	JPEG	Specifies the compression of a file, which determines the file size.	
	SMALL		
	STANDARD*		
RESOLUTION	75 dpi	LARGE	Specifies the resolution of a document or image; a lower


Item	Values	Options	Explanation
		150 dpi* 200 dpi 300 dpi	DPI setting results in a smaller file size, but image quality might be affected.
	ADDRESS VALIDATION	OFF ON*	Enables the MFP to check e-mail syntax. Valid e-mail addresses require the "@" sign and a ".".
	FIND SEND GATEWAYS		The MFP searches the network for SMTP and LDAP gateways that the MFP can use to send e-mail.
	SMTP GATEWAY		The IP address of the SMTP server used to send e-mail.
	LDAP GATEWAY		The IP address of the LDAP gateway that the MFP uses to look up e-mail information.
	TEST SEND GATEWAYS		Tests the configured gateways to see if they are functional.
REPLICATE MFP			Copies the send settings from one MFP to another.
			 NOTE This feature might not work with older MFPs.

Printing submenu

Some items in the Printing submenu are available in a software program, or in the printer driver (if the correct printer driver is installed). Driver and program settings override control-panel settings.

To gain access to this menu, touch **CONFIGURE DEVICE**, and then touch **PRINTING**.


Item	Values	Explanation
COPIES	1 to 32,000	Set the default number of copies by selecting any number from 1 to 32,000. Use the numeric keypad to select the number of copies.
		 NOTE It is recommended that you set the number of copies in the printer driver or in the software program. (Printer driver settings and software program settings override control-panel settings.)

Item	Values	Explanation
DEFAULT PAPER SIZE	LETTER*	Set the default image size for paper and envelopes. (The item name will change from paper to ENVELOPE as you scroll through the available sizes.)
	LEGAL	
	EXECUTIVE	
	STATEMENT	
	8.5X13	
	A4	
	A5	
	B5(JIS)	
	EXECUTIVE(JIS)	
	16K	
	ENVELOPE #10	
	ENVELOPE MONARCH	
	ENVELOPE C5	
	ENVELOPE DL	
ENVELOPE B5		
CUSTOM		
DEFAULT CUSTOM PAPER SIZE	UNIT OF MEASURE	Allows you to set a custom paper size for any of the installed trays. Substitute the tray number for <N>. Select the X and Y dimensions of the custom paper size. The X dimensions are 76-216 mm (3-8.5 inches). The Y Dimensions are 127-356 mm (5-14 inches).
	X DIMENSION	
	Y DIMENSION	
PAPER DESTINATION	OUTPUT BIN 1*	Select the output bin on the optional 3-bin mailbox.  NOTE This item appears only if an optional 3-bin mailbox is installed, and if it is not configured for stacker mode.
	OUTPUT BIN 2	
	OUTPUT BIN 3	
DUPLEX	OFF	Set the value to ON to print on both sides (duplex) or OFF to print on one side (simplex) of a sheet of paper. DUPLEX BINDING allows you to select LONG EDGE or SHORT EDGE* . This item displays only if DUPLEX is set to ON . For more information, see Automatic two-sided (duplex) printing .
	ON*	
	DUPLEX BINDING	
OVERRIDE A4/LETTER	NO	This command is used to print on Letter-size media when an A4 job is

Item	Values	Explanation
	YES*	sent but no A4-size media is loaded in the MFP (or to print on A4-size media when a Letter job is sent, but no Letter-size media is loaded in the MFP).
MANUAL FEED	OFF* ON	Feed the paper manually from tray 1, rather than automatically from a tray. When MANUAL FEED=ON and tray 1 is empty, the MFP goes offline when it receives a print job. It then displays MANUALLY FEED <PAPER SIZE> . For more information, see Manual two-sided printing .
COURIER FONT	REGULAR* DARK	Select the version of Courier font to use: REGULAR: The internal Courier font available on the HP LaserJet 4 series printers. DARK: The internal Courier font available on the HP LaserJet III series printers. Both fonts are not available at the same time.
WIDE A4	NO* YES	The Wide A4 setting changes the number of characters that can be printed on a single line of A4 paper. YES: Up to 80 10-pitch characters can be printed on one line. NO: Up to 78 10-pitch characters can be printed on one line.
PRINT PS ERRORS	OFF* ON	Select ON to print the PS error page when PS errors occur.
PRINT PDF ERRORS	OFF* ON	Select ON to print the PDF error page when PDF errors occur.
PCL		For information about this option, see PCL submenu .

PCL submenu

To gain access to this menu, touch **CONFIGURE DEVICE**, touch **PRINTING**, and then touch **PCL** submenu.

Item	Values	Explanation
FORM LENGTH	5 to 128 Default=60	Sets vertical spacing from 5 to 128 lines for default paper size. Enter the value by using the numeric keypad.
ORIENTATION	PORTRAIT* LANDSCAPE	Select the default page orientation.  NOTE It is recommended that you set the page orientation in the printer driver or in the software program. (Printer-driver settings and software-program settings override control-panel settings.)
FONT SOURCE	INTERNAL X* CARD SLOT X	INTERNAL X: Internal fonts. CARD SLOT 1, CARD SLOT 2, or CARD SLOT 3: Fonts stored in one of the three flash memory slots.
FONT NUMBER	0 to 102	The MFP assigns a number to each font and lists them on the PCL Font List (see Checking the MFP configuration). The font number appears in the Font # column of the printout.
FONT PITCH	0.44 to 99.99	Use the numeric keypad to enter a value. This item might not appear, depending on the font selected. Default=10.00
FONT POINT SIZE	4.00 to 999.75	Use the numeric keypad to enter a value. Default=12.00
SYMBOL SET	Variety of available symbol sets	Select any one of several available symbol sets at the MFP control panel. A symbol set is a unique grouping of all the characters in a font. PC-8 or PC-850 is recommended for line-draw characters.
APPEND CR TO LF	NO* YES	Select YES to append a carriage return to each line feed that is encountered in backward-compatible PCL jobs (pure text, no job control). Some environments, such as UNIX, indicate a new line by using only the line-feed control code. This option allows the user to append the required carriage return to each line feed.
SUPPRESS BLANK PAGES	NO* YES	When set to YES , form feeds are ignored if the page is blank.
MEDIA SOURCE MAPPING	STANDARD* CLASSIC	The PCL5 MEDIA SOURCE MAPPING command selects an input tray by a number that maps to the available trays and feeders.

Print quality submenu

You can gain access to some of the items in this menu in either a software program, or in the printer driver (if the correct printer driver is installed). Printer driver settings and software program settings override control-panel settings.

To gain access to this menu, touch **CONFIGURE DEVICE**, and then touch **PRINT QUALITY**.

Item	Values	Explanation
ADJUST COLOR	HIGHLIGHTS	This item allows you to adjust the color from +5 to -5.
	MIDTONES	
	SHADOWS	Each value allows you to adjust CYAN DENSITY , MAGENTA DENSITY , YELLOW DENSITY , and BLACK DENSITY .
	RESTORE COLOR VALUES	
	RESTORE COLOR VALUES removes any color adjustments and returns the color to the original value.	
SET REGISTRATION	PRINT TEST PAGE	Shift the margin alignment to center the image on the page from top to bottom, and left to right. You can also align the image on the front, with the image printed on the back.
	SOURCE	
	ADJUST TRAY N	
AUTO SENSE MODE	TRAY 1 SENSING	Allows you to set trays to automatically sense the type of paper that is loaded.
	TRAY 2-N SENSING	
PRINT MODES	PLAIN	Allows you to associate each media type with a specific print mode.
	PREPRINTED	
	LETTERHEAD	
	TRANSPARENCY	
	PREPUNCHED	
	LABELS	
	BOND	
	RECYCLED	
	COLOR	
	LIGHT <75 G/M2	
	INTERMEDIATE90-104	
	HEAVY 105-119 G/M2	
	EXTRA HEAVY120-163	
	CARDSTOCK >163	
	ROUGH 90-105 G/M2	
GLOSSY 75-105 G/M2		
HEAVY GLOSSY120-160		

Item	Values	Explanation
	EXTRA HEAVY GLOSSY TOUGH PAPER ENVELOPE RESTORE MODES	
OPTIMIZE	EXTRA HEAVY120-163 HIGH GLOSS IMAGES BACKGROUND 1 BACKGROUND 2 TRANSPARENCY MEDIA TYPE REGISTRATION LONG PAPER PRE-ROTATION RE-TRANSFER FUSER TEMP TRAY1 RESTORE OPTIMIZE	This item optimizes a number of MFP parameters for all jobs rather than by media type. The default setting for each value is OFF . RESTORE OPTIMIZE resets all of the optimize parameters to the default settings.
QUICK CALIBRATE NOW	N/A.	Performs partial printer calibrations.
FULL CALIBRATE NOW	N/A	Performs full printer calibrations.
COLOR RET	OFF ON*	The COLOR RET menu item allows you to turn on or turn off the printer REt (Resolution Enhancement Technology) setting. The default is ON .


System setup submenu

Items in this menu affect the MFP function. Configure the MFP according to your printing needs.

To gain access to this menu, touch **CONFIGURE DEVICE**, and then touch **SYSTEM SETUP**.

Item	Values	Explanation
Date/Time	DATE DATE FORMAT TIME TIME FORMAT	Sets the start date and time for the MFP. The DATE format is YEAR 2004–2087; JAN, FEB, MAR; DAY 1–31 The DATE FORMAT is YYYY/MMM/DD*; MMM/DD/YYYY; DD/MMM/YYYY The TIME format is HOUR 1–12, MINUTE 0–59, AM, and PM

Item	Values	Explanation
		The TIME FORMAT is 12 HR or 24 HR. This item defaults to 12 HR.
JOB STORAGE LIMIT	1 to 100	Specifies the number of QuickCopy and Proof-and-Hold jobs that can be stored on the MFP hard-disk accessory. Default=32
JOB HELD TIMEOUT	OFF* 1 HOUR 4 HOURS 1 DAY 1 WEEK	Sets the amount of time that QuickCopy and proof-and-hold jobs are kept before being automatically deleted from the queue. If you change the Job Held Timeout value, only jobs that are stored <i>after</i> this change are affected by the change. Any jobs that were stored before you changed the value will retain the original timeout setting.
SHOW ADDRESS	AUTO OFF*	This item defines whether the IP address is shown on the control-panel display next to the Ready message. The default setting is OFF .
COLOR/BLACK MIX	AUTO* MOSTLY COLOR PAGES MOSTLY BLACK PAGES	This menu item establishes how the printer switches from color to monochrome (black and white) mode for maximum performance and print cartridge life. AUTO resets the printer to the factory default settings. The default is AUTO . Select MOSTLY COLOR PAGES if nearly all of your print jobs are color with high page coverage. Select MOSTLY BLACK PAGES if you print mostly monochrome jobs, or a combination of color and monochrome jobs.
TRAY BEHAVIOR	USE REQUESTED TRAY MANUALLY FEED PROMPT PS DEFER MEDIA SIZE/TYPE PROMPT USE ANOTHER TRAY DUPLEX BLANK PAGES IMAGE ROTATION	Specifies the behavior of the tray by indicating which tray the MFP should print from. USE REQUESTED TRAY sets the tray that the MFP should print from for specified jobs. The values for this menu item are EXCLUSIVELY (default) or FIRST . MANUALLY FEED PROMPT determines whether or not the MFP prompts the user when a job does not match a requested configured tray. The values for this menu item are Always (default) or UNLESS LOADED . PS DEFER MEDIA determines whether the paper-handling model is based on

Item	Values	Explanation
		<p>PostScript rules or HP rules. The values for this menu item are ENABLED (follows the HP rules) or Disabled.</p> <p>SIZE/TYPE PROMPT controls whether the tray configuration message and its prompts are shown whenever a tray is configured for a type or size other than the type or size that is loaded in the tray.</p> <p>USE ANOTHER TRAY determines whether the MFP uses paper from another tray of the designated tray is empty.</p> <p>DUPLEX BLANK PAGES determines whether blank pages are duplexed.</p> <p>IMAGE ROTATION determines if images are rotated. The default is STANDARD.</p>
SLEEP DELAY	<p>1 MINUTE</p> <p>15 MINUTES</p> <p>30 MINUTES</p> <p>45 MINUTES</p> <p>60 MINUTES*</p> <p>90 MINUTES</p> <p>2 HOURS</p> <p>4 HOURS</p>	<p>Sets how long the MFP remains idle before it enters sleep mode. Using sleep mode offers the following advantages:</p> <ul style="list-style-type: none"> • Minimizes the amount of power that the MFP consumes when it is idle • Reduces wear on electronic components in the MFP <p> NOTE Sleep mode turns off the backlight on the display, but the display is still readable.</p> <p>The MFP automatically exits sleep mode when you send a print job, open or close a paper tray, receive a fax, touch any button on the control panel, touch any part of the touchscreen, open the scanner lid, or load media into the ADF.</p> <p>To enable or disable sleep mode, see Resets submenu.</p>
WAKE TIME	<p>List of days of the week</p> <p>OFF*</p> <p>CUSTOM</p>	<p>Sets the time that the MFP automatically comes out of sleep mode. This feature can be set for a different time for each day of the week. Or, if you wish to apply the same settings to each day, select APPLY TO ALL DAYS</p> <p>Each day displays the following values: Hour 1–12, Minute 0–59, AM, and PM.</p>
COPY SEND SETTINGS	<p>For information about these settings, see the separate table Copy/send settings.</p>	
PERSONALITY	<p>AUTO*</p> <p>PCL</p> <p>PDF</p>	<p>Select the default MFP language (personality). Possible values are determined by which valid languages are installed in the MFP.</p>

Item	Values	Explanation
	PS	Normally you should not change the product language (the default is AUTO). If you change the setting to a specific product language, the MFP does not automatically switch from one language to another unless specific software commands are sent to the MFP.
CLEARABLE WARNINGS	JOB* ON	Set the amount of time that a clearable warning appears on the MFP control panel. JOB: Warning messages appear on the control panel until the end of the job from which they were generated. ON: Warning messages appear on the control panel until they are cleared.
AUTO CONTINUE	OFF ON*	This item determines how the MFP reacts to errors. OFF: If an error prevents printing, the message remains on the display, and the MFP does not print until you touch CONTINUE . ON: If an error prevents printing, the message is displayed, and the MFP goes offline for 10 seconds before returning online.
REPLACE SUPPLIES	STOP AT OUT* STOP AT LOW OVERRIDE AT OUT	Sets printer behavior when a cartridge is low. The default is STOP AT OUT . This option allows the printer to continue printing until a color supply is exhausted. When the printer is set to STOP AT LOW , printing pauses until the color supply is replaced. OVERRIDE AT OUT allows printing to continue when a color supply is out, but displays a warning the supply is out and must be replaced.
ORDER AT	0–100	Default=15
COLOR SUPPLY OUT	STOP* AUTOCONTINUE AT BLACK	Determine how the MFP behaves when toner is out. STOP: The MFP goes offline and waits until the cartridge is replaced. AUTOCONTINUE AT BLACK: The MFP displays REPLACE CARTRIDGE until the cartridge is replaced. The MFP continues to print.
JAM RECOVERY	AUTO* OFF ON	Determine how the MFP functions when a jam occurs. AUTO: The MFP automatically selects the best mode for jam recovery (usually ON). This is the default setting.

Item	Values	Explanation
		<p>OFF: The MFP does not reprint pages following a jam. Printing performance might be increased with this setting.</p> <p>ON: The MFP automatically reprints pages after a jam is cleared.</p>
LANGUAGE	List of available languages	Sets the language of the control panel.

Copy/send settings

This table lists the options that are available for the **COPY SEND SETTINGS**, which are part of the **SYSTEM SETUP** submenu.

Item	Values	Explanation
INACTIVITY TIMEOUT	10–300 SECONDS	<p>Defines the amount of time until the copy settings return to the default settings after any control panel activity is completed. If you reset the MFP, the value resets to the default.</p> <p>Default=60</p>
AUTO SETTINGS RESET	OFF* ON	<p>Allows automatic reset of copy/send settings after the defined timeout. When set to OFF, you are prompted to reset the settings or continue with the same settings. If this item is set to ON, the settings are automatically reset after each send job. The default is OFF.</p>
TIMEOUT AFTER SEND	10–300 SECONDS	<p>Defines the amount of time before the send settings return to the default settings after any control-panel activity is completed. This item displays only when AUTO SETTINGS RESET is OFF.</p> <p>Default=20</p>
HOLD OFF PRINT JOB	OFF ON*	<p>Prevents network print jobs from starting within a specified period after a copy is completed.</p>
HOLD OFF TIME	0–300 SECONDS	<p>Defines the amount of time that print jobs must wait if HOLD OFF PRINT JOB is set to ON.</p> <p>Default=15</p>
SCAN AHEAD	OFF ON*	<p>Allows a copy job to be scanned even if the MFP is printing another job. The job will be scanned and held until it can be printed. If this setting is set to OFF, the job is not scanned until the print job is completed.</p>
AUTO JOB INTERRUPT	OFF* ON	<p>Allows a copy job to automatically interrupt any currently printing network print job. The copy job is placed between full copies of the job that is currently printing. If this setting is set to OFF, the job is not printed until all copies of the print job are completed.</p>
COPY JOB INTERRUPT	OFF* ON	<p>Allows you to interrupt the current copy job to make a different copy. When you press the Start button, the MFP shows a message that asks if you want to interrupt the current copy job.</p>

Item	Values	Explanation
AUDIBLE FEEDBACK	OFF ON*	Gives an audible indication when you press a button or when you touch an interactive area of the touchscreen.
COLOR COPY OPTION	ENABLE* DISABLE	Allows an administrator to set the color lockout feature.


MBM-3 Configuration submenu

Use the items in this menu to set up the output bins on the 3-bin mailbox.

To gain access to this menu, touch **CONFIGURE DEVICE**, and then touch **MBM-3 CONFIGURATION**.



NOTE This menu appears only when the 3-bin mailbox is installed.

Item	Values	Explanation
OPERATION MODE	JOB SEPARATION MODE* MAILBOX MODE STACKER MODE	Select the operation mode that you want to use. For more information, see 3-bin mailbox .
		 <p>NOTE The MFP restarts automatically whenever the operation mode is changed.</p>

Stapler/stacker submenu

Use the items in this menu to configure the stapling options.

To gain access to this menu, touch **CONFIGURE DEVICE**, and then touch **STAPLER/STACKER**.



NOTE This menu appears only when the stapler/stacker is installed.

Item	Values	Explanation
STAPLES	NONE*	To enable stapling, select ONE .
	ONE	 NOTE Printer-driver settings override control-panel settings.
STAPLES OUT	STOP	Use this item to configure the MFP to either stop or continue when the staple cartridge is empty. If you select CONTINUE , jobs are stacked in the output bin, but they are not stapled. Default=15
	CONTINUE*	

I/O submenu

Items in the I/O (input/output) submenu affect the communication between the MFP and the computer.

To gain access to this menu, touch **CONFIGURE DEVICE**, and then touch **I/O**.

Item	Values	Explanation
I/O TIMEOUT	5 to 300	Use this to select the I/O timeout period in seconds. (I/O timeout refers to the time, measured in seconds, that the MFP waits before ending a print job.) Use this setting to adjust timeout for best performance. If data from other ports appear in the middle of your print job, increase the timeout value. Default = 15
PARALLEL INPUT	HIGH SPEED ADVANCED FUNCTIONS	HIGH SPEED accepts faster parallel communications used for connections with newer computers. This item contains NO and YES* options. ADVANCED FUNCTIONS turns the bidirectional parallel communication on or off. The default is set for a bidirectional parallel port (IEEE-1284). This setting allows the MFP to send status readback messages to the computer. (Turning the parallel advanced functions on might slow language switching.) This item contains OFF and ON* options.

Item	Values	Explanation
FIND SEND GATEWAYS	No value to select	This item searches the network for both SMTP and LDAP gateways that can be used to send e-mail.
SMTP GATEWAY	No value to select	This is the IP address of the SMTP Gateway that is used for sending e-mail.
LDAP GATEWAY	No value to select	This is the IP address of the LDAP Gateway that is used for looking up e-mail address information.
JETDIRECT	See submenu below.	JETDIRECT allows you to configure network settings.
TEST SEND GATEWAYS	No value to select	Tests the configured gateways to ensure that they are functional.

Embedded Jetdirect submenu

To gain access to this menu, touch **CONFIGURE DEVICE**, and then touch **I/O** and then touch **JETDIRECT**.

Item	Options	Values	Explanation
TCP/IP	ENABLE	ON	ON: (default) Enable the TCP/IP protocol.
		OFF	OFF: Disable the TCP/IP protocol.
	HOST NAME		An alphanumeric string, up to 32 characters, that is used to identify the device. This name is listed on the Jetdirect configuration page. The default host name is NPIxxxxxx, where xxxxxx is the last six digits of the LAN hardware (MAC) address.
	CONFIG METHOD	BOOTP	Select BOOTP (Bootstrap Protocol) for automatic configuration from a BootP server.
		DHCP*	Select DHCP (Dynamic Host Configuration Protocol) for automatic configuration from a DHCP server.
		AUTO IP	Select AUTO IP for automatic link-local IP addressing. An address in the form 169.254.x.x will be automatically assigned.
		MANUAL	Use the MANUAL settings menu to configure TCP/IP parameters.
	DHCP RELEASE	YES	If DHCP is used and a DHCP lease exists, selecting NO saves the current lease. Selecting YES releases the current DHCP lease and the leased IP address.
		NO*	

Item	Options	Values	Explanation
	DHCP RENEW	YES NO*	<p>This menu appears if CONFIGURE METHOD was set to DHCP and a DHCP lease for the print server exists.</p> <ul style="list-style-type: none"> NO (default): The current DHCP lease is saved. YES: The current DHCP lease along with the leased IP address are released.
MANUAL SETTINGS			<p>(Available only if CONFIG METHOD is set to MANUAL) Configure parameters directly from the printer control panel:</p> <p>IP ADDRESS (n.n.n.n.) The unique IP address of the printer, where n is a value from 0 to 255.</p> <p>SUBNET MASKm.m.m.m.: The subnet mask for the printer, where m is a value from 0 to 255.</p> <p>SYSLOG SERVERn.n.n.n.: The IP address of the syslog server used to receive and log syslog messages.</p> <p>DEFAULT GATEWAYn.n.n.n.: The IP address of the gateway or router used for communications with other networks.</p> <p>IDLE TIMEOUT: The time period, in seconds, after which an idle TCP print data connection is closed (default is 270 seconds, 0 disables the timeout).</p>
DEFAULT IP (parameters are AUTO IP and LEGACY)			<p>Specify the IP address to default to when the print server is unable to obtain an IP address from the network during a forced TCP/IP reconfiguration (for example, when manually configured to use BootP or DHCP).</p> <ul style="list-style-type: none"> AUTO IP: A link-local IP address 169.254.x.x will be set. LEGACY: The address 192.0.0.192 will be set, consistent with older Jetdirect products.
PRIMARY DNS			Specify the IP address (n.n.n.n) of the Primary Domain Name System (DNS) Server.
SECONDARY DNS			Specify the IP address (n.n.n.n) of the Secondary Domain Name System (DNS) Server.

Item	Options	Values	Explanation
PROXY SERVER			<p>Specifies the proxy server to be used by embedded applications in your printer/MFP. A proxy server is typically used by network clients for Internet access. It caches Web pages, and provides a degree of Internet security, for those clients.</p> <p>To specify a proxy server, enter its IP address or fully-qualified domain name. The name can be up to 64 characters.</p> <p>For some networks, you may need to contact your Independent Service Provider (ISP) for the proxy server address.</p>
PROXY PORT			<p>Enter the port number used by the proxy server for client support. The port number identifies the port reserved for proxy activity on your network, and can be a value from 0 to 65535.</p>
IPX/SPX	ENABLE	ON*	ON: Enable the IPX/SPX protocol.
		OFF	OFF: Disable the IPX/SPX protocol.
	FRAME TYPE	AUTO EN_8023 EN_II EN_8022 EN_SNAP	<p>Select the frame-type setting for your network.</p> <p>AUTO: (default) Automatically sets and limits the frame type to the first one detected.</p> <p>EN_8023, EN_II, EN_8022, and EN_SNAP: Frame type selections for Ethernet networks.</p>
APPLETALK	ENABLE	ON*	Enable or disable the AppleTalk protocol.
		OFF	
DLC/LLC	ENABLE	ON*	Enable or disable the DLC/LLC protocol.
		OFF	
SECURE WEB	HTTPS REQUIRED HTTPS OPTIONAL*		<p>SECURE WEB: Specify whether the embedded Web server accepts communications by using only secure HTTP (HTTPS) or by using both HTTP and HTTPS.</p>
DIAGNOSTICS			<p>DIAGNOSTICS: Provides tests to help diagnose network hardware or TCP/IP network connection problems.</p>

Item	Options	Values	Explanation
RESET SECURITY	YES		RESET SECURITY: Specifies whether the current security settings on the print server are saved or reset to factory defaults.
	NO*		
LINK SPEED	AUTO		The print server will automatically configure itself to match the network link speed and communication mode. If this process fails, either 100TX HALF or 10T HALF is set. 10T HALF: 10 Mbps, half-duplex operation. 10T FULL: 10 Mbps, full-duplex operation. 100TX HALF: 100 Mbps, half-duplex operation. 100TX FULL: 100 Mbps, full-duplex operation.
	10T HALF		
	10T FULL		
	100TX HALF		
	100TX FULL		

Resets submenu

To gain access to this menu, touch **CONFIGURE DEVICE**, and then touch **RESETS**.



NOTE Use this menu with caution. You can lose buffered page data or MFP configuration settings when you select these items. Reset the MFP only under the following circumstances:

- You want to restore the MFP default settings.
- Communication between the MFP and computer has been interrupted, and you are not able to resolve the problem by any other method. See [Solving network connectivity problems](#).
- You are having problems with a port.

The items in the Resets submenu will clear all memory in the MFP, while pressing the **Reset** button clears only the current job.

Item	Values	Explanation
RESTORE FACTORY SETTINGS	No value to select	This item restores all control-panel settings to the original factory settings.
SLEEP MODE	OFF	Turns sleep mode on or off. Using sleep mode offers the following advantages: <ul style="list-style-type: none"> • Minimizes the amount of power that the MFP consumes when it is idle • Reduces wear on electronic components in the MFP <p>The MFP automatically exits sleep mode when you send a print job, receive a fax, touch any button on the control panel, touch</p>
	ON*	

Item	Values	Explanation
		<p>any part of the touchscreen, open the scanner lid, or load media into the ADF.</p> <p>You can set how long the MFP remains idle before it enters sleep mode. See the SLEEP DELAY information in the System setup submenu.</p>
LOCK CARRIAGE	No value to select	This item must be selected before engaging the Scanner Head Lock. It moves the carriage into a position where it can be locked.
CLEAR ADDRESS BOOK	No value to select	This item clears all addresses from the address book.

Diagnostics menu

Item	Options	Values	Explanation
PRINT EVENT LOG			Generates a localized list of the 50 most recent entries in the error log. For each entry, the printed event log shows the error number, page count, error code, and description or personality.
PQ TROUBLESHOOTING			This item prints a series of 8 pages that include instructions, pages for each color, demo page, and configuration page. These pages can help isolate print quality problems.
SHOW EVENT LOG			At the control panel, scroll through the contents of the event log, which lists the 50 most recent events.
CALIBRATE SCANNER			Use this item to calibrate the scanner. You might need to calibrate the scanner if it is not capturing the correct sections of scanned documents.
PRINT DIAGNOSTICS PAGE			Allows you to print a page that can assist in diagnosing printer problems.
DISABLE CARTRIDGE CHECK			Allows you to remove a print cartridge to help determine which print cartridge is the source of a problem.
PAPER PATH SENSORS			Initiates a paper path sensor test. You can then enter the menus to print internal pages (including the paper path test), set menu items, and send jobs from the computer. The sensors are updated as paper passes each sensor, but no messages are generated this state.
PAPER PATH TEST	PRINT TEST PAGE		Generates a test page that is useful for testing the paper handling features of the MFP.
			Specifies which paper paths are tested.
	SOURCE	ALL TRAYS	Specifies to print a test page from a specific tray or from all trays.
		TRAY 1	

Item	Options	Values	Explanation
		TRAY 2*	
		TRAY 3	
		TRAY 4	
	DESTINATION	ALL BINS	Specify which output bin to use during the paper path test.
		OUTPUT BIN 1*	
		OUTPUT BIN 2	This menu displays only if the output bin is installed.
		OUTPUT BIN 3	
	DUPLEX	OFF*	Specifies if the duplexer is included when the test is performed.
		ON	
	COPIES	1*	Specifies how many sheets of paper from the specified source are sent when the test is performed.
		10	
		50	
		100	
		500	
MANUAL SENSOR TEST			Tests the paper path sensors and switches for correct operation. During this test, the MFP is offline. On the control-panel display, each sensor is represented by a string of alphabetic letters followed by a corresponding status for each sensor.
MANUAL SENSOR TEST 2			Performs tests to determine whether the paper path sensors are operating correctly.
COMPONENT TEST	TRANSFER MODE		This menu item is used by a service technician to exercise individual parts of the MFP to isolate the source of any problems.
	BELT ONLY		
	IMAGE DRUM MOTORS		
	BLACK LASER SCANNER		
	CYAN LASER SCANNER		
	MAGENTA LASER SCANNER		
	YELLOW LASER SCANNER		
	FUSER MOTOR		
	FUSER PRESSURE RELEASE MOTOR		

Item	Options	Values	Explanation
	ALIENATION MOTOR		
	ETB CONTACT/ ALIENATION		
	TRAY 1 PICKUP SOLENOID		
	TRAY 1 PICKUP MOTOR		
	TRAY 3 PICKUP SOLENOID		
	TRAY 2 PICKUP MOTOR		
	TRAY 3 PICKUP SOLENOID		
	TRAY 3 PICKUP MOTOR		
	TRAY 4 PICKUP SOLENOID		
	TRAY 4 PICKUP MOTOR		
	DUPLEXER PICKUP MOTOR		
	REPEAT		
PRINT/STOP TEST	STOP TIME	0 to 60000	This menu item is used by a service technician to isolate the potential source of print-quality problems with the MFP. The time is expressed in milliseconds.
COLOR BAND TEST	PRINT TEST PAGE COPIES	1-30	PRINT TEST PAGE option generates a test page that is useful for testing the color band features of the MFP. The COPIES option allows you to select the number of test pages to be printed. Default = 1.

Item	Options	Values	Explanation
SCANNER TESTS	LOWER LAMP		This menu item is used by a service technician to diagnose potential problems with the MFP scanner.
	ADF INPUT MOTOR		
	ADF INPUT MOTOR REVERSE		
	FLATBED MOTOR		
	ADF READ MOTOR		
	ADF READ MOTOR REVERSE		
	ADF DUPLEX SOLENOID		
	ADF LED INDICATOR		
CONTROL PANEL	LEDs		This menu item is used by a service technician to diagnose potential problems with the MFP control panel.
	DISPLAY		
	BUTTONS		
	TOUCHSCREEN		

Service menu

The Service menu is locked. A service technician must type a PIN to open the menu.

3 I/O Configuration

This chapter describes how to configure certain network parameters on the MFP. The following topics are covered:

- [Network configuration](#)
- [Parallel configuration](#)
- [USB configuration](#)
- [Auxiliary connection configuration](#)
- [HP Jetdirect print servers](#)
- [Wireless printing](#)

Network configuration

You might need to configure certain network parameters on the MFP. You can configure these parameters from installation software, the MFP control panel, the embedded Web server, or management software, such as HP Web Jetadmin or the HP LaserJet Utility for Macintosh.



NOTE For more information about using the embedded Web server, see [Using the embedded Web server](#).

For more information on supported networks and network configuration tools, see the *HP Jetdirect Print Server Administrator's Guide*. The guide comes with printers in which an HP Jetdirect print server is installed.

This section contains the following instructions for configuring network parameters from the MFP control panel:

- Configuring TCP/IP parameters.
- Disabling unused network protocols.

Configuring TCP/IP parameters

You can use the MFP control panel to configure the following TCP/IP parameters:

- IP address (4 bytes)
- Subnet mask (4 bytes)
- Default gateway (4 bytes)

To manually configure TCP/IP parameters from the MFP control panel

Use manual configuration to set an IP address, subnet mask, and default gateway.

Setting an IP address

1. Press **Menu** to enter the **MENUS**.
2. Touch **CONFIGURE DEVICE**.
3. Touch **I/O**.
4. Touch **JETDIRECT MENU**.
5. Touch **TCP/IP**.
6. Touch **CONFIG METHOD**.
7. Touch **MANUAL** or **MANUAL SETTINGS**.
8. Touch **IP ADDRESS**.
9. Use the right and left arrows to select each byte of the IP address, and then use the numeric keypad to enter the value of each byte.
10. Touch **OK**.

Setting the subnet mask

1. Press **Menu** to enter the **MENUS**.
2. Touch **CONFIGURE DEVICE**.
3. Touch **I/O**.
4. Touch **JETDIRECT MENU**.
5. Touch **TCP/IP**.
6. Touch **CONFIG METHOD**.
7. Touch **MANUAL**.
 - ▲ Touch **MANUAL SETTINGS**.
8. Touch **SUBNET MASK**



NOTE The first three sets of numbers are highlighted.

9. Use the right and left arrows to select each byte of the subnet mask, and then use the numeric keypad to enter the value of each byte.
10. Touch **OK**.

Setting the default gateway

1. Press **Menu** to enter the **MENUS**.
2. Touch **CONFIGURE DEVICE**.
3. Touch **I/O**.
4. Touch **JETDIRECT MENU**.
5. Touch **TCP/IP**.
6. Touch **CONFIG METHOD**.
7. Touch **MANUAL** or **MANUAL SETTINGS**.
8. Touch **DEFAULT GATEWAY**.



NOTE The first set of 3 numbers shows the default settings. If there is not a number highlighted, a highlighted empty underscore appears.

9. Use the right and left arrows to select each byte of the default gateway, and then use the numeric keypad to enter the value of each byte.
10. Touch **OK**.

Disabling network protocols (optional)

By factory default, all supported network protocols are enabled. Disabling unused protocols has the following benefits:

- decreases MFP-generated network traffic
- prevents unauthorized users from printing to the MFP
- provides only pertinent information on the configuration page
- allows the MFP control panel to display protocol-specific error and warning messages

To disable DLC/LLC

1. Press **Menu** to enter the **MENUS**.
2. Touch **CONFIGURE DEVICE**.
3. Touch **I/O**.
4. Touch **JETDIRECT MENU**.
5. Touch **DLC/LLC**.
6. Touch **ENABLE**.
7. Touch **ON** or **OFF**.
8. Touch **OK**.

Parallel configuration

The HP Color LaserJet 4730mfp series supports network and parallel connections at the same time. A parallel connection is made by connecting the MFP to the computer using a bidirectional parallel cable (IEEE-1284-C compliant) with a c-connector plugged into the MFP's parallel port. The cable can be a maximum of 10 meters (30 feet) long.

When used to describe a parallel interface, the term bidirectional indicates that the MFP is able to both receive data from the computer and send data to the computer through the parallel port.

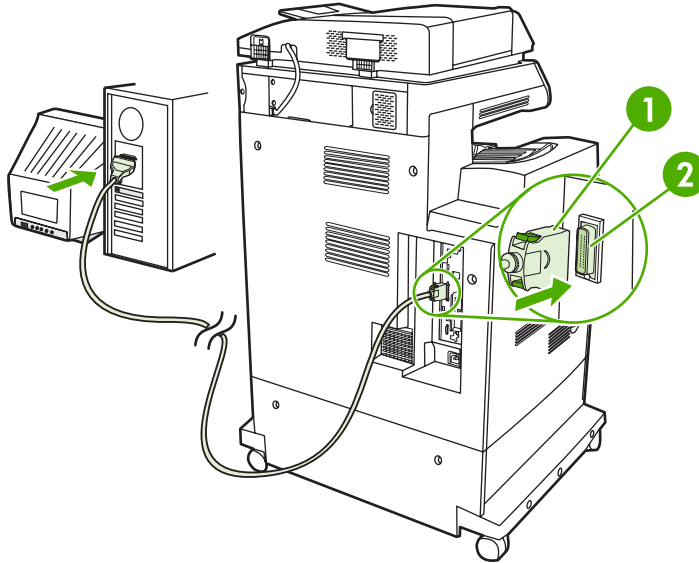


Figure 3-1 Parallel port connection

1	C-connector
2	Parallel port



NOTE To use the enhanced capabilities of the bidirectional parallel interface such as bidirectional communication between the computer and MFP, faster transfer of data, and automatic configuration of printer drivers, ensure that the most recent printer driver is installed.

NOTE Factory settings support automatic switching between the parallel port and one or more network connections on the MFP. If you are experiencing problems, see [Network configuration](#).

USB configuration

This MFP supports USB 2.0 and host USB connections. The USB ports are located on the back of the MFP, as shown in the figure below. You must use an A-to-B type USB cable.

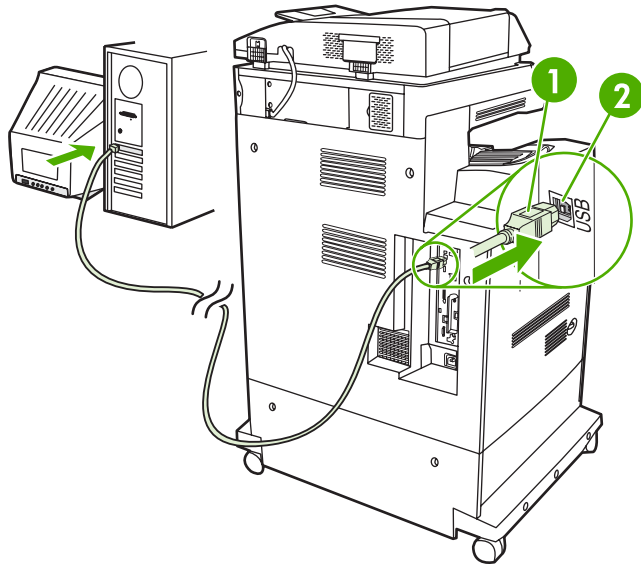


Figure 3-2 USB connection

- | | |
|---|---------------|
| 1 | USB connector |
| 2 | USB port |
-

Auxiliary connection configuration

This MFP supports an auxiliary connection for paper handling input devices. The port is located on the back of the MFP, as shown in the figure below.

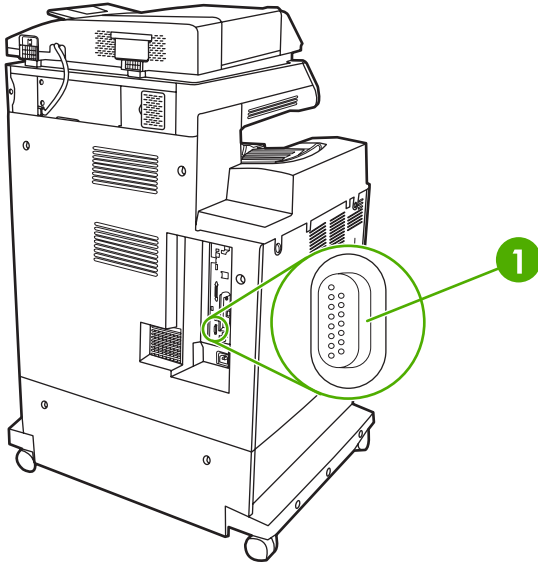


Figure 3-3 Auxiliary connection

- 1 | Auxiliary connection port (Jetlink)

HP Jetdirect print servers

The HP Jetdirect print servers facilitate network management by allowing you to connect a printer directly to your network at any location. They support multiple network protocols and operating systems. HP Jetdirect print servers also support the Simple Network Management Protocol (SNMP), which provides network managers with remote printer management and troubleshooting through HP Web Jetadmin software.

The HP Color LaserJet 4730mfp series is equipped with an embedded HP Jetdirect print server. The server supports Ethernet 10/100-TX network connections. An HP Jetdirect EIO print server can also be installed in the HP Color LaserJet 4730mfp series EIO slot to allow an additional network connection.



NOTE Installation of an EIO print server and network configuration should be performed by a network administrator. Network configuration is performed using installation software, the MFP control panel, embedded Web server, or network management software.

NOTE Refer to the HP Jetdirect print server documentation for information on supported EIO network print servers.

For more information on supported networks and network configuration tools, refer to the *HP Jetdirect Print Server Administrator's Guide*, or visit HP Customer Care online at http://www.hp.com/support/net_printing.

NetWare networks

When using Novell NetWare products with an HP Jetdirect print server, use your NetWare utilities to set up and manage the MFP.

Windows networks

For Windows 98, ME, 2000, Windows Server 2003, and XP systems, use your printer installation utility for printer setup on a Microsoft Windows network. The utility supports printer setup for either peer-to-peer or client-server network operation.

AppleTalk networks

Use the HP LaserJet Utility to set up the MFP on an EtherTalk network. For more information, refer to the *HP Jetdirect Print Server Administrator's Guide* included with printers equipped with the HP Jetdirect print server.

UNIX/Linux networks

Use the HP Jetdirect printer installer for UNIX utility to set up the MFP on HP-UX or Sun Solaris networks.

For setup and management on UNIX or Linux networks, use HP Web Jetadmin.

To obtain HP software for UNIX/Linux networks, visit HP Customer Care online at http://www.hp.com/support/net_printing. For other installation options supported by the HP Jetdirect print servers, see the *HP Jetdirect Print Server Administrator's Guide*.

Wireless printing

Wireless networks offer a safe, secure, and cost-effective alternative to traditional wired network connections. See [Supplies and accessories](#) for a list of available wireless print servers.

IEEE 802.11 standard

Optional HP Jetdirect wireless print servers support connection to an 802.11 network. This wireless technology provides a high-quality printing solution without the physical constraints of wiring. Peripherals can be conveniently placed anywhere in an office or home and can be easily moved without changing network cables.

Installation is easy with the HP Install Network Printer Wizard.

HP Jetdirect 802.11 print servers are available for USB connections.

Bluetooth

Bluetooth wireless technology is a low-power, short-range radio technology that can be used to wirelessly connect computers, MFPs, printers, personal digital assistants (PDAs), cell phones, and other devices.

Unlike infrared technology, Bluetooth's reliance on radio signals means that devices do not have to be in the same room, office, or cubicle with an unobstructed line of sight in order to communicate. This wireless technology increases portability and efficiency within business network applications.

The HP Color LaserJet 4730mfp series uses a Bluetooth adapter (HP bt1300) to incorporate Bluetooth wireless technology. The adapter is available for either USB or parallel connections. The adapter has a 10-meter line-of-sight operation range in the 2.5 GHz ISM band and can achieve data transfer rates up to 723 Kbps. The device supports the following Bluetooth profiles:

- Hardcopy Cable Replacement Profile (HCRP)
- Serial Port Profile (SPP)
- Object Push Profile (OPP)
- Basic Imaging Profile (BIP)
- Basic Printing Profile (BPP) with XHTML-Print

4 Printing tasks

This chapter describes how to perform basic printing tasks. The following topics are covered:

- [Controlling print jobs](#)
- [Selecting print media](#)
- [Automatic media type sensing \(auto sense mode\)](#)
- [Configuring input trays](#)
- [Printing on special media](#)
- [Automatic two-sided \(duplex\) printing](#)
- [Stapling documents](#)
- [Special printing situations](#)
- [Selecting the output bin](#)
- [Job storage features](#)
- [Managing memory](#)
- [Using features in the printer driver](#)
- [Using features in the Macintosh printer driver](#)

Controlling print jobs

In the Microsoft Windows operating system, three settings affect how the printer driver tries to pull paper when you send a print job. The *Source*, *Type*, and *Size* settings appear in the **Page Setup**, **Print**, or **Print Properties** dialog boxes in most software programs. If you do not change these settings, the MFP automatically selects a tray using the default settings.

Source

Printing by *Source* means that you choose a specific tray from which you want the MFP to pull paper. The MFP tries to print from this tray, no matter what type or size is loaded. If you choose a tray that is configured for a type or size that does not match your print job, the MFP does not print automatically. Instead, it waits for you to load the tray you chose with the type or size of print media for your print job. If you load the tray, the MFP begins printing.

Type and Size

Printing by *Type* or *Size* means that you want the MFP to pull paper or print media from the appropriate tray loaded with the correct type and size. Selecting media by type rather than source is similar to locking out trays and helps protect special media from accidental use. For example, if a tray is configured for letterhead and you specify the driver to print on plain paper, the MFP will not pull the letterhead from that tray. Instead, it will pull paper from a tray that has plain paper loaded and is configured for plain paper on the MFP control panel. Selecting media by Type and Size results in significantly better print quality for heavy paper, glossy paper, and transparencies. Using the wrong setting might result in unsatisfactory print quality. Always print by Type for special print media, such as labels or grayscale transparencies. Print by Size for envelopes, if possible.

- If you want to print by Type or Size, select the Type or Size from the **Page Setup** dialog box, the **Print** dialog box, or the **Print Properties** dialog box, depending on the application.
- If you often print on a certain type or size of media, the MFP administrator (for a network MFP) or you (for a local MFP) can configure a tray for that type or size. Then, when you choose that type or size as you print a job, the MFP pulls media from the tray configured for that type or size.

Print setting priorities

Changes made to print settings are prioritized according to where the changes are made as follows:



NOTE The names of commands and dialog boxes may vary depending on your program.

- *Page Setup dialog box*. This dialog box opens when you click **Page Setup** or a similar command on the **File** menu of the program you are working in. Settings changed here override settings changed anywhere else.
- *Print dialog box*. This dialog box opens when you click **Print**, **Print Setup**, or a similar command on the **File** menu of the program you are working in. Settings changed in the **Print** dialog box have a lower priority and do not override changes made in the **Page Setup** dialog box.

- *Printer Properties dialog box (printer driver).* The printer driver opens when you click **Properties** in the **Print** dialog box. Settings changed in the **Printer Properties** dialog box do not override settings available anywhere else.
- *Default printer settings.* The default printer settings determine settings used in all print jobs, *unless* settings are changed in the **Page Setup**, **Print**, or **Printer Properties** dialog boxes, as described above. There are two ways to change the default printer settings:
 1. Click **Start**, **Settings**, **Printers**, and then right-click the printer icon, and click **Properties**.
 2. Click **Start**, **Control Panel**, and then select the **Printers** folder, right-click the printer icon, and click **Properties**.

For more information, see [Printer drivers](#) or [Printer drivers for Macintosh computers](#).



CAUTION To avoid affecting print jobs of other users, make printer setup changes through the software application or the printer driver whenever possible. Printer setup changes made through the control panel become default settings for subsequent jobs. Changes made through an application or the printer driver affect only that specific job.

Selecting print media

You can use many types of paper and other print media with this MFP. This section provides guidelines and specifications for selecting and using different print media. For more information about supported print media, see [Print media weights and sizes](#).

Before purchasing any media or specialized forms in quantity, verify that your paper supplier obtains and understands the print media requirements specified in the *HP LaserJet Family Print Media Guide*.

See [Supplies and accessories](#) for ordering information.

It is possible that media could meet all of the guidelines in this chapter and still not print satisfactorily. This may be due to abnormal characteristics of the printing environment or to other variables over which Hewlett-Packard has no control (for example, extremes in temperature and humidity).

Hewlett-Packard recommends testing any media before buying it in large quantities.



CAUTION Using media that does not conform to the specifications listed here or in the paper specification guide can cause problems that require service. This service is not covered by the Hewlett-Packard warranty or service agreements.

Media to avoid

This MFP can handle many types of media. Use of media outside the MFP's specifications will cause a loss of print quality and increase the chance of paper jams.

- Do not use paper that is too rough.
- Do not use paper with cutouts or perforations other than standard 3-hole punched paper.
- Do not use multipart forms.
- Do not use paper that has already been printed on or that has been fed through a photocopier.
- Do not use paper with a watermark if you are printing solid patterns.

Paper that can damage the MFP

In rare circumstances, paper can damage the MFP. Avoid the following paper to prevent possible damage to the MFP:

- Do not use paper with staples attached.
- Do not use transparencies designed for inkjet printers or other low-temperature printers, or transparencies designed for monochrome printing. Use only transparencies that are specified for use with HP Color LaserJet printers.
- Do not use glossy or photo papers intended for inkjet printers.
- Do not use paper that is embossed or coated and is not designed for the temperatures of the image fuser. Select media that can tolerate temperatures of 190°C (374°F) for 0.1 second.
- Do not use letterhead paper with low-temperature dyes or thermography. Preprinted forms or letterhead must use inks that can tolerate temperatures of 190°C (374°F) for 0.1 second.
- Do not use any media that produces hazardous emissions, or that melts, offsets, or discolors when exposed to 190°C (374°F) for 0.1 second.

To order HP Color LaserJet printing supplies, go to <http://www.hp.com/go/ljsupplies> in the United States or to <http://www.hp.com/ghp/buyonline.html> worldwide.

Automatic media type sensing (auto sense mode)

The HP Color LaserJet 4730 series printers can automatically classify media into one of the following categories:

- Plain
- Transparency
- Glossy
- Extra-heavy glossy
- Glossy film
- Heavy
- Light

The automatic media type sensor functions only when that tray is configured to Any Type Plain. Configuring a tray to any other type, such as Bond or Glossy, deactivates the media sensor in that tray.



NOTE Get optimal performance with the automatic media sensing feature when using original HP media designed for use in HP color LaserJet printers.

Tray 1 sensing

Full sensing (default)

- The printer stops at each page to sense media type.
- This is the best mode for using mixed media in a single print job.

Expanded sensing

- Each time the printer begins a print job, it stops the first page to sense the type.
- The printer assumes that the second and all subsequent pages are of the same media type as the first page.
- This is the second-fastest mode, and is useful for using stacks of the same media type.

Transparency

- The printer does not stop any pages for sensing but distinguishes between transparencies (Transparency mode) and paper (Normal mode).
- This is the fastest mode and is useful for high-volume printing in Normal mode.

Tray 2–N sensing

Expanded sensing

- The printer stops the first five pages fed from each paper tray to sense the type and averages the five results.
- The printer assumes that the sixth and all subsequent pages are of the same media type, until the printer is turned off or goes into sleep mode, or until the tray is opened.

Transparency only (default)

- The printer does not stop any pages for sensing but distinguishes between transparencies (Transparency mode) and paper (Normal mode).
- This is the fastest mode and is useful for high-volume printing in Normal mode.

Configuring input trays

The MFP allows you to configure input trays by type and size. You can load different media in the MFP's input trays and then request media by type or size using the control panel.



NOTE If you have used other HP LaserJet printer models, you might be accustomed to configuring Tray 1 to **First** mode or **Cassette** mode. On HP Color LaserJet 4730mfp series, setting Tray 1 size and type to **ANY SIZE** is equivalent to **First** mode. Setting size or type for Tray 1 to a setting other than **ANY SIZE** is equivalent to **Cassette** mode.

NOTE If you are duplex printing, be sure that the media loaded meets the specifications for duplex printing. (See [Supported media weights and sizes.](#))

NOTE The instructions below are to configure the trays at the MFP control panel. You can also configure the trays from your computer by accessing the embedded Web server. See [Using the embedded Web server.](#)

Configuring trays when the MFP gives a prompt

In the following situations, the MFP automatically prompts you to configure the tray for type and size:

- When you load paper into the tray
- When you specify a particular tray or media type for a print job through the printer driver or a software application and the tray is not configured to match the print job's settings

The control panel displays this message: **LOAD TRAY XX: [TYPE] [SIZE], To change type touch Menu.** The instructions below explain how to configure the tray after the prompt appears.



NOTE The prompt does not appear if you are printing from Tray 1 and if Tray 1 is configured for **ANY SIZE** and **ANY TYPE**.

To configure a tray when loading paper

1. Load paper in the tray. (Close the tray if you are using Tray 2, 3, or 4.)
2. The MFP displays the tray configuration message.
3. Touch **OK**.
4. Select the size.



NOTE The MFP automatically detects the media size in trays 2, 3, and 4.

5. Select the paper type.
6. Touch **EXIT**.

To configure a tray to match print job settings

1. In the software application, specify the source tray, the paper size, and the paper type.
2. Send the job to the MFP.

If the tray needs to be configured, the **LOAD TRAY X:** message appears.

3. If the highlighted size is not correct, touch **X.XxX.X INCHES** or **X MILLIMETERS**. Then use the numeric keypad to set the X and Y dimensions.
4. If the highlighted paper type is not correct, touch **PAPER HANDLING** and select the paper type.
5. Touch **OK**.
6. Touch **EXIT**.

Configuring trays using the Paper Handling menu

You can also configure the trays for type and size without a prompt from the MFP. Use the **PAPER HANDLING** menu to configure the trays as follows.

Configuring the paper size

1. At the control panel, press **Menu**.
2. Touch **PAPER HANDLING**.
3. Touch **TRAY <N> SIZE**. (N represents the number of the tray you are configuring.)
4. Touch **SIZE**. If you select **CUSTOM**, go to step 5.
5. Touch **?** or **X MILLIMETERS**. Then use either the numeric keypad or scroll bars to set the X dimension. Press **OK** and then set the Y dimension.
6. Touch **OK**.
7. Touch **EXIT**.

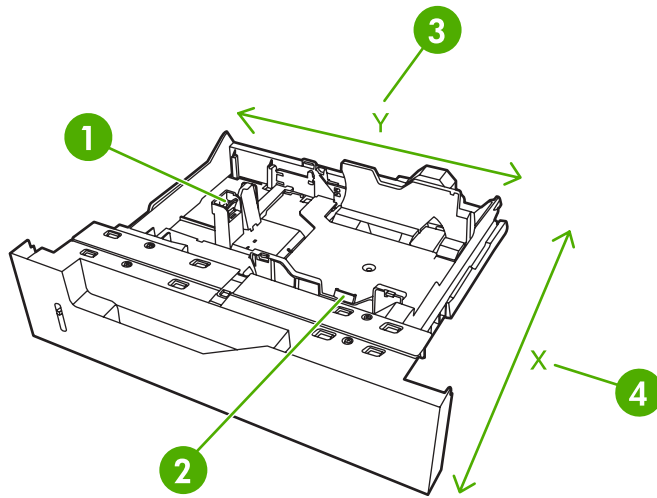
Configuring the paper type

1. Press **Menu**.
2. Touch **PAPER HANDLING**.
3. Touch **TRAY <N> TYPE**. (N represents the number of the tray you are configuring.)
4. Touch the paper type.
5. Touch **EXIT**.

Configuring Tray 2, 3, or 4 for a custom paper size

The MFP automatically detects many sizes of paper, but you can also configure trays for custom paper sizes. You must specify the following parameters:

- Unit of measure (millimeters or inches)
- X dimension (the width of the page as it feeds into the MFP)
- Y dimension (the length of the page as it feeds into the MFP)



1	Media length adjustment
2	Media width adjustment
3	Page length (Y dimension)
4	Page width (X dimension)

Use the following procedure to configure a tray for a custom size. Once a custom size is set for a tray, it will be retained until the media length guides are reset.


To set a custom size in Tray 2, 3, or 4

1. Open the tray and place the media in the tray.
2. Set the media length and width guides to the appropriate non-standard position and close the tray.
3. Press **Menu**.
4. Touch **PAPER HANDLING**.
5. Touch **TRAY <N> SIZE** (where N is the number of the tray).
6. Scroll to and touch **CUSTOM**.
7. Touch **X.XxX.X INCHES** or **X MILLIMETERS**. This selects the measurement units for determining the size of your custom paper.
8. Use the numeric keypad or the scroll bar to set the X dimension (the short edge of the paper). The X dimension can range from 148 to 216 mm (5.83 to 8.5 inches).
9. Use the numeric keypad to set the Y dimension (the long edge of the paper). The Y dimension can range from 210 to 356 mm (8.27 to 14 inches).
10. Touch **OK**.
11. Touch **EXIT**.

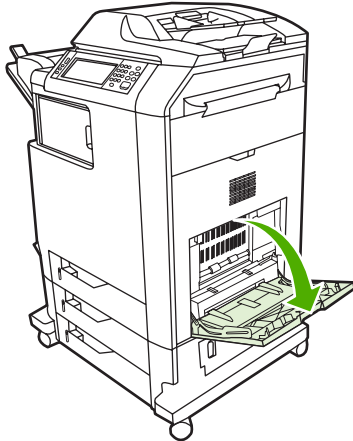
Printing from Tray 1 (multipurpose tray)

Tray 1 is a multipurpose tray that holds up to 100 sheets of paper or 20 envelopes. It provides a convenient way to print envelopes, transparencies, custom-size paper, media heavier than 32 lb, or other types of media without having to unload the other trays.

Loading Tray 1

 **CAUTION** To avoid jams, never add or remove paper from Tray 1 during printing.

1. Open Tray 1.



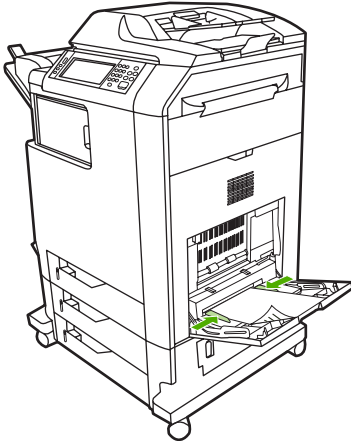
2. Set the side guides to the desired width.
3. Load paper in the tray with the side to be printed facing down and the top of the page facing you.



NOTE Tray 1 can hold approximately 100 sheets of standard 75 g/m² (20 lb) office paper.

NOTE If you are duplex printing, see [Automatic two-sided \(duplex\) printing](#) for loading instructions.

4. Adjust the side guides so that they lightly touch the paper stack but do not bend the paper.



NOTE Make sure the paper fits under the tabs on the guides and not above the load level indicators.

Printing envelopes from Tray 1

Many types of envelopes can be printed from Tray 1. Up to 20 envelopes can be stacked in the tray. Printing performance depends on the construction of the envelope.

In the software, set margins at least 15 mm (0.6 inches) from the edge of the envelope.



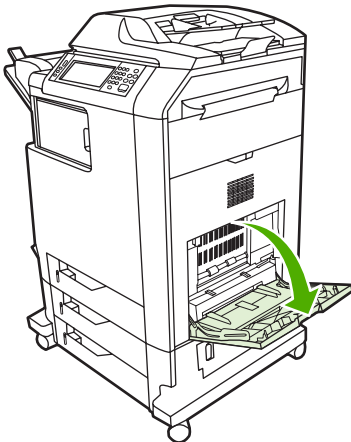
CAUTION Envelopes with clasps, snaps, windows, coated linings, exposed self-stick adhesives, or other synthetic materials can severely damage the MFP. To avoid jams and possible MFP damage, never try to print on both sides of an envelope. Before you load envelopes, make sure they are flat, undamaged, and not stuck together. Do not use envelopes with pressure-sensitive adhesive.

To load envelopes into Tray 1

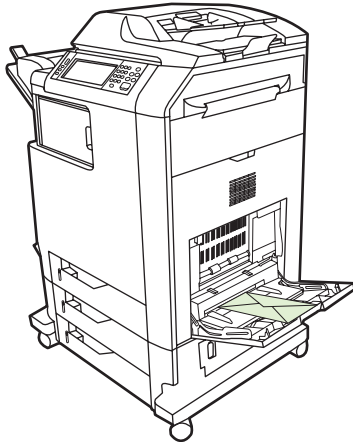


CAUTION To avoid jams, do not remove or insert envelopes during printing.

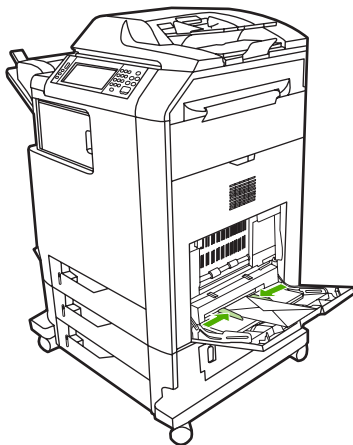
1. Open Tray 1.



2. Load up to 20 envelopes in the center of Tray 1 with the side to be printed facing down and the postage end toward the MFP. Slide the envelopes into the MFP as far as they will go without forcing them.



3. Adjust the guides to touch the envelope stack without bending the envelopes. Make sure the envelopes fit under the tabs on the guides.



Printing envelopes

1. Specify Tray 1 or select the media source by size in the printer driver.
2. If your software does not automatically format an envelope, specify Landscape for page orientation in your software application or printer driver. Use the following guidelines to set margins for return and destination addresses on Commercial #10 or DL envelopes.

Address type	Left margin	Top margin
Return	15 mm (0.6 inches)	15 mm (0.6 inches)
Destination	102 mm (4 inches)	51 mm (2 inches)



NOTE For envelopes of other sizes, adjust the margin settings appropriately.


3. Select **Print** from the software application or printer driver.

Printing from Tray 2, 3, or 4

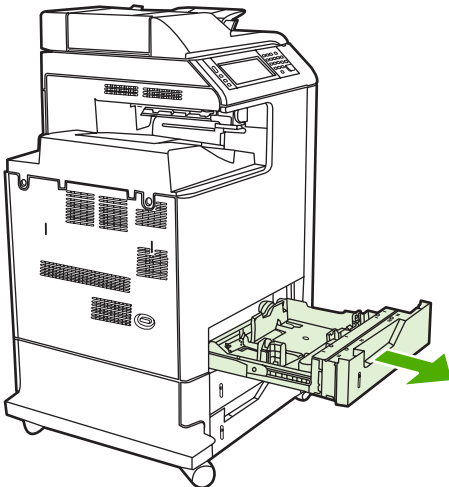
Tray 2, 3, and 4 each hold up to 500 sheets of standard paper or a 50.8 mm (2-inch) stack of labels. Tray 2 stacks above the other 500-sheet trays. The MFP detects the other trays and shows them as options in the control panel **CONFIGURE DEVICE** menu. The trays adjust for detectable media sizes; letter, legal, A4, A5, JIS B5, and executive; and undetectable media sizes: 8.5 x 13 and Executive (JIS), double Japan postcard, and custom. The MFP automatically detects the media size in these trays based on the tray's paper guide configuration. (See [Supported media weights and sizes.](#))

Loading detectable standard-sized media into Tray 2, 3, or 4

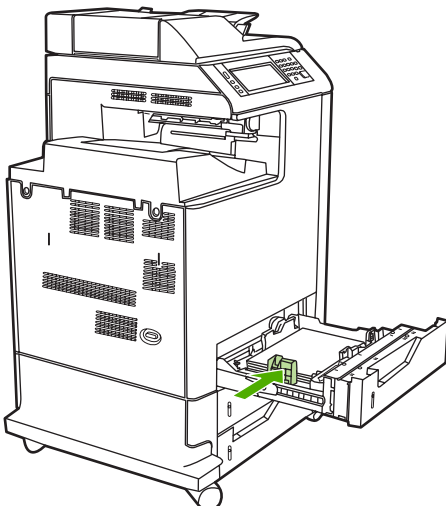
The following detectable standard-sized media is supported in Tray 2 and the other trays: letter, legal, executive, A4, A5, and (JIS) B5.

 **CAUTION** Do not print cardstock, envelopes, heavy or extra heavy paper, or unsupported sizes of media from the 500-sheet trays. Print on these types of media only from Tray 1. Do not overfill the input tray or open it while it is in use. Doing so can cause jams in the MFP.

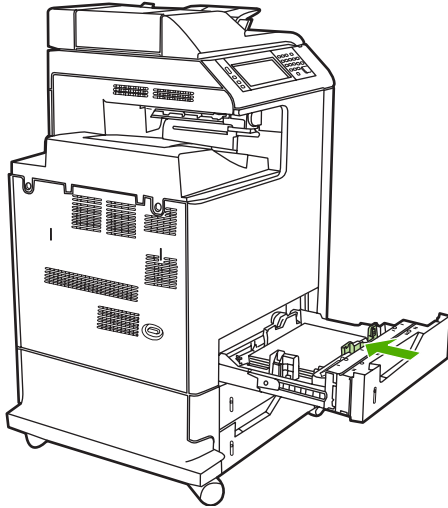
1. Slide open the tray from the MFP.



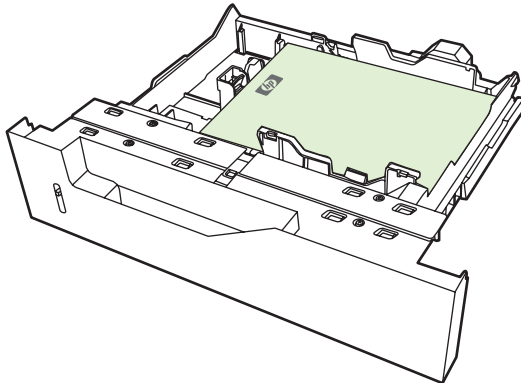
2. Adjust the rear media-length guide by squeezing the guide adjustment latch and sliding the back of the tray to the length of the media being used.



3. Slide the media-width guides open to the size for the media you are using.



4. Load media into the tray face up.

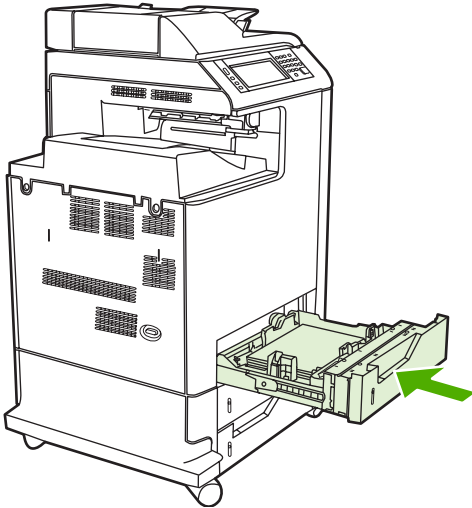


NOTE For best performance, load the tray completely full without splitting the ream of paper. Splitting the ream might cause a multi-feed problem, which could result in a paper jam. The capacity of the paper tray can vary. For example, if you are using 75 g/m² (20 lb) paper, the tray holds a full ream of 500 sheets. If the media is heavier than 75 g/m² (20 lb), the tray will not hold a full ream, and you must reduce the number of sheets accordingly. Do not overfill the tray because the MFP might not pick up the paper.

NOTE If the tray is not properly adjusted, the MFP might display an error message or the media might jam.

NOTE If you are duplex printing, see [Automatic two-sided \(duplex\) printing](#) for loading instructions.


5. Slide the tray into the MFP. The MFP will display the tray's media type and size. If the configuration is not correct, touch **OK** on the control panel. If the configuration is correct, touch **EXIT**.



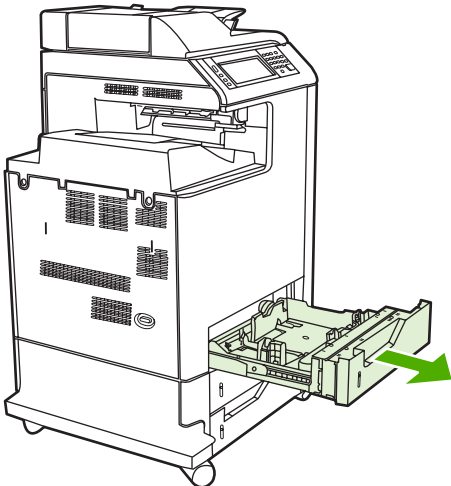
Loading undetectable standard-sized media into Tray 2, 3, and 4

Undetectable standard-sized media sizes are not marked in the tray, but are listed in the **Size** menu for the tray.

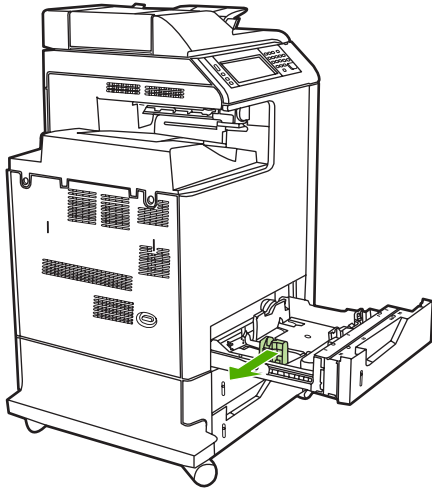
The following undetectable standard-sized media is supported in the 500-sheet trays: executive (JIS), 8.5 x 13, double Japan postcard, and 16K.

 **CAUTION** Do not print cardstock, envelopes, heavy or extra heavy paper, or unsupported sizes of media from the 500-sheet trays. Print on these types of media only from Tray 1. Do not overfill the input tray or open it while it is in use. Doing so can cause paper jams.

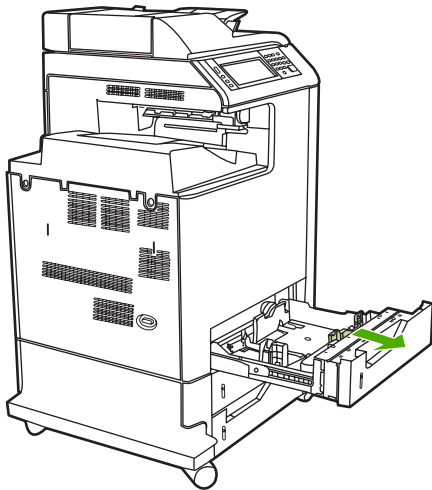
1. Slide open the tray from the MFP.



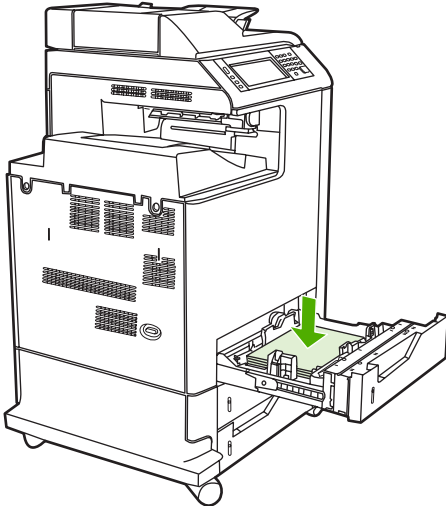
2. Adjust the rear media-length guide by squeezing the guide adjustment latch and sliding the back of the tray to the length of the media being used.



3. Slide the media-width guides open to the size for the media you are using.



4. Load media into the tray face up.

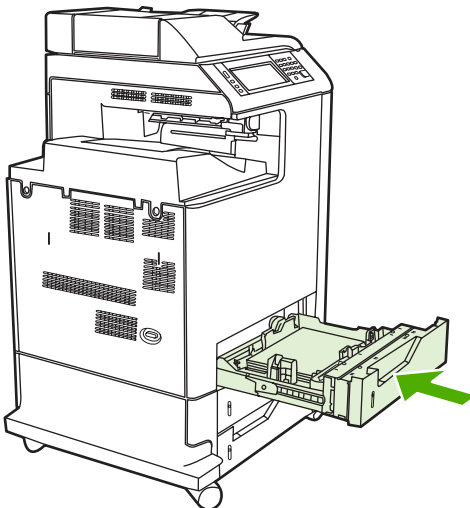


NOTE For best performance, load the tray completely full without splitting the ream of paper. Splitting the ream might cause a multi-feed problem, which could result in a paper jam. The capacity of the paper tray can vary. For example, if you are using 75 g/m² (20 lb) paper, the tray holds a full ream of 500 sheets. If the media is heavier than 75 g/m² (20 lb), the tray will not hold a full ream, and you must reduce the number of sheets accordingly. Do not overfill the tray because the MFP might not pick up the paper.

NOTE If the tray is not properly adjusted, the MFP might display an error message or the media might jam.

NOTE If you are duplex printing, see [Automatic two-sided \(duplex\) printing](#) for loading instructions.

5. Slide the tray into the MFP. The MFP will display the tray's media type and size. If the configuration is not correct, touch **OK** on the control panel.

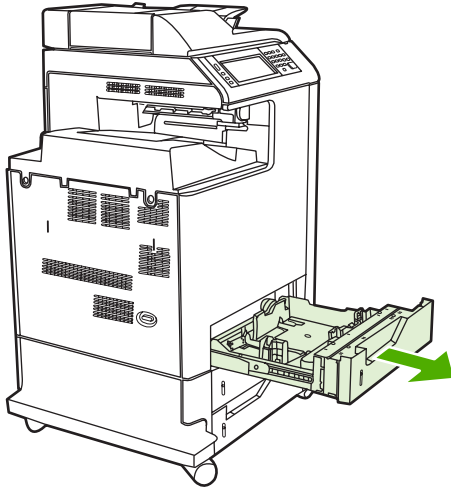


6. If the configuration is correct, touch **EXIT**.

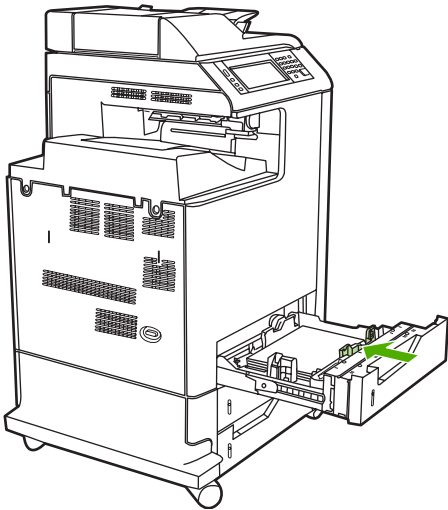
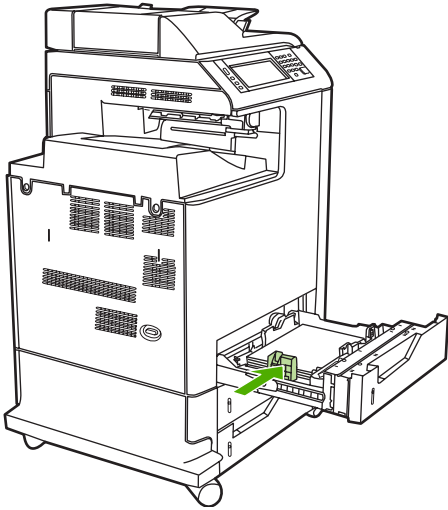
Loading custom-sized media into Tray 2

To use custom media, you must change the size setting on the control panel to **CUSTOM** and set the unit of measure, X dimension, and Y dimension. See [To configure a tray to match print job settings](#) for more information.

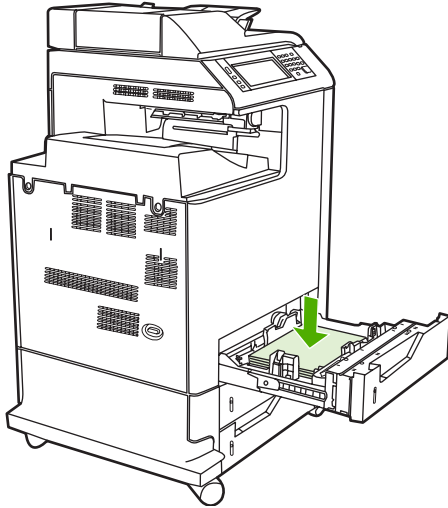
1. Slide open the tray from the MFP.



2. Slide the media width guides all the way open and adjust the rear media-length guide to the length of the paper being used.



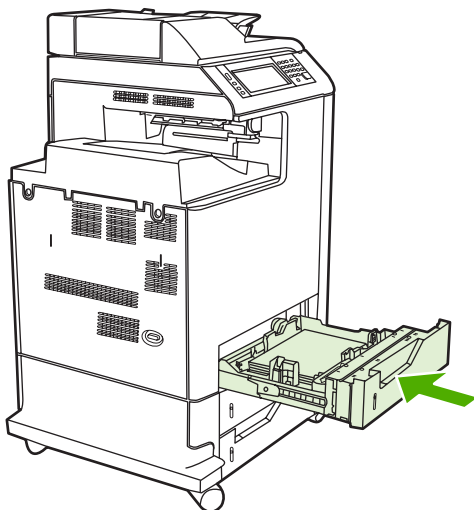
3. Load media into the tray face up.



NOTE For best performance, load the tray completely full without splitting the ream of paper. Splitting the ream might cause a multi-feed problem, which could result in a paper jam. The capacity of the paper tray can vary. For example, if you are using 75 g/m² (20 lb) paper, the tray holds a full ream of 500 sheets. If the media is heavier than 75 g/m² (20 lb), the tray will not hold a full ream, and you must reduce the number of sheets accordingly. Do not overfill the tray because the MFP might not pick up the paper.

NOTE If you are duplex printing, see [Automatic two-sided \(duplex\) printing](#) for loading instructions.

4. Slide the media width guides in making sure that they gently touch the paper. Insert the tray into the MFP.
5. Slide the tray into the MFP. The MFP will display the tray type and size configuration. To specify specific custom dimensions, or if the type is not correct, touch **OK** when the MFP prompts **To change size or type**.



6. If the configuration is correct, touch **EXIT**.

Printing on special media

Use these guidelines when printing on special types of media. For more information, see [Print media specifications](#).



NOTE Special media such as envelopes, transparencies, custom-size paper, or heavy media greater than 120 g/m² should be used in Tray 1.

To print on any special media, use the following procedure:

1. Load the media in the paper tray.
2. When the MFP prompts you for the paper type, select the correct media type for the paper loaded in the tray. For example, select **EXTRA HEAVY GLOSS** when loading HP Extra Heavy Gloss Laser Paper.
3. In the software application or the printer driver, set the media type to match the media type that is loaded in the paper tray.



NOTE For the best print quality, always verify that the media type selected on the MFP control panel and the media type selected in the application or printer driver match the type of media loaded in the tray.

Transparencies

When printing on transparencies, use the following guidelines:

- Handle transparencies using the edges. Oils from your fingers deposited on the transparency can cause print quality problems.
- Use only overhead transparencies recommended for use in this MFP. Hewlett-Packard recommends using HP Color LaserJet Transparencies with this MFP. HP products are designed to work together for optimum printing results.
- In either the software application or the driver, select **TRANSPARENCY** as the media type, or print from a tray that is configured for transparencies.

For more information, see [Printer drivers](#) or [Printer drivers for Macintosh computers](#).



CAUTION Transparencies not designed for LaserJet printing will melt in the MFP, causing damage to the MFP.

Glossy paper

- In either the software application or the driver, select **GLOSSY** or **HEAVY** as the media type, or print from a tray that is configured for glossy paper.
- Use the control panel to set the media type to **GLOSSY** for the input tray being used.
- Because this affects all print jobs, it is important to return the MFP to its original settings once the job has printed. See [Configuring input trays](#) for more information.



NOTE Hewlett-Packard recommends using HP Color LaserJet glossy papers, such as Soft Gloss paper, with this MFP. HP products are designed to work together for optimum printing results. If HP Color LaserJet glossy papers are not used with this MFP, print quality might be compromised.

Colored paper

- Colored paper should be of the same high quality as white xerographic paper.
- Pigments used in colored media must be able to withstand the MFP's fusing temperature of 190° C (374°F) for 0.1 second without deterioration.
- Do not use paper with a colored coating that was added after the paper was produced.
- The MFP creates colors by printing patterns of dots, overlaying and varying their spacing to produce various colors. Varying the shade or color of the paper will affect the shades of the printed colors.

Envelopes



NOTE Envelopes can be printed only from Tray 1. Set the tray's media size to the specific envelope size. See [Printing envelopes from Tray 1](#).

Adhering to the following guidelines will help ensure proper printing on envelopes and help prevent MFP jams:

- Do not load more than 20 envelopes into Tray 1.
- The weight rating of envelopes should not exceed 105 g/m² (28 lb bond).
- Envelopes should be flat.
- Do not use envelopes with windows or clasps.
- Envelopes must not be wrinkled, nicked, or otherwise damaged.
- Envelopes with peel-off adhesive strips must use adhesives that can withstand the heat and pressures of the MFP's fusing process.
- Envelopes should be loaded face-down and with the postage end feeding into the MFP first.

Labels



NOTE For printing labels, set the tray's media type to **LABELS** in the MFP control panel. See [Configuring input trays](#). When printing labels, use the following guidelines:

- Do not use partial sheets of labels.
- Verify that the labels' adhesive material can tolerate temperatures of 190°C (374°F) for 0.1 second.
- Verify that there is no exposed adhesive material between the labels. Exposed areas can cause labels to peel off during printing, which can cause MFP jams. Exposed adhesive can also cause damage to MFP components.
- Do not re-feed a sheet of labels.

- Verify that the labels lie flat.
- Do not use labels that are wrinkled, bubbled, or otherwise damaged.

Heavy paper

The following heavy paper types can be used with the HP Color LaserJet 4730mfp series.

Paper type	Paper weight
Heavy and extra-heavy stock	105-220 g/m ²
	28-60 lb
Cardstock	164-200 g/m ²
	43-53 lb
Intermediate	90-104 g/m ²
	24-28 lb
HP Tough paper	5 mil
	44 lb

When printing on heavy paper types, use the following guidelines:

- Use Tray 1 for paper that is heavier than 120 g/m² (32 lb).
- For optimum results when printing on heavy paper, use the MFP control panel to set the media type for the tray to **HEAVY**.
- In either the software application or the driver, select **Heavy** as the media type, or print from a tray that is configured for heavy paper.
- Because this setting affects all print jobs, it is important to return the MFP to its original settings once the job has printed. See [Configuring input trays](#).



CAUTION In general, do not use paper that is heavier than the media specification recommended for this MFP. Doing so can cause misfeeds, paper jams, reduced print quality, and excessive mechanical wear.

HP LaserJet Tough paper

When printing on HP LaserJet Tough paper, use the following guidelines:

- Handle HP LaserJet Tough paper using the edges. Oils from your fingers deposited on HP LaserJet Tough paper can cause print quality problems.
- Use only HP LaserJet Tough paper with this MFP. HP products are designed to work together for optimum printing results.
- In either the software application or the driver, select **TOUGH PAPER** as the media type, or print from a tray that is configured for HP LaserJet Tough paper.

Preprinted forms and letterhead

Observe the following guidelines for best results with preprinted forms and letterhead:

- Forms and letterhead must be printed with heat-resistant inks that will not melt, vaporize, or release hazardous emissions when subjected to the MFP's fusing temperature of approximately 190°C (374°F) for 0.1 second.
- Inks must be non-flammable and should not adversely affect any MFP rollers.
- Forms and letterhead should be sealed in a moisture-proof wrapping to prevent changes during storage.
- Before loading preprinted paper such as forms and letterhead, verify that the ink on the paper is dry. During the fusing process, wet ink can come off of preprinted paper.
- When duplex printing, preprinted forms and letterhead must be oriented correctly. For more information, see [Automatic two-sided \(duplex\) printing](#).

Recycled paper

This MFP supports the use of recycled paper. Recycled paper must meet the same specifications as standard paper. See the *HP LaserJet Printer Family Print Media Guide*. Hewlett-Packard recommends that recycled paper contain no more than 5% ground wood.

Automatic two-sided (duplex) printing



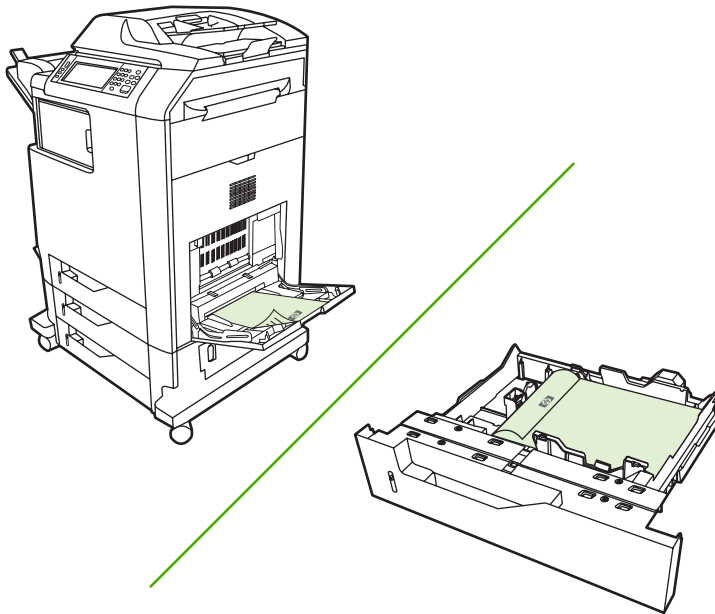
NOTE You must specify two-sided printing options in your software application or in the printer driver in order to print on both sides of the page. If this option is not visible in the software application or printer driver, use the following information to make duplex printing options available.

To use two-sided printing:

- Verify that the printer driver is configured to show the two-sided printing options: automatic and/or manual. For more information, see [Printer drivers](#) or [Printer drivers for Macintosh computers](#).
- Once the two-sided printing option is shown, select the appropriate two-sided printing options in the printer driver software. Two-sided printing options include page and binding orientation. For more information about options for binding two-sided printing jobs, see [Options for binding two-sided printing jobs](#).
- Automatic two-sided printing is not supported for certain media types, including transparencies, envelopes, labels, heavy, extra heavy, cardstock, and Tough paper. (The maximum weight paper for automatic duplex printing is 120 g/m² (32 lb) bond.)
- Automatic two-sided printing only supports letter, legal, B5, executive, 8.5 x 13, and A4 paper sizes.
- Manual two-sided printing can support all sizes and more types of media. (Transparencies, envelopes, and labels are not supported.)
- If both automatic and manual two-sided printing are enabled, the MFP will automatically print on two sides if the size and type are supported by the duplexer. Otherwise, it will manually duplex.
- For best results, avoid two-sided printing with rough-textured, heavy-weight media.
- When using special media such as letterhead or forms, place the media face down in Tray 2, 3, or 4, with the logo to the left. Place special media face down in Tray 1, with the logo facing away from the MFP.



NOTE Loading paper for duplexing is different than loading for one-sided printing.



Control panel settings for automatic two-sided printing

Many software applications allow you to change two-sided print settings. If your software application or printer driver does not allow you to adjust two-sided printing settings, you can adjust these settings through the control panel. The factory default setting is **OFF**.



CAUTION Do not use two-sided printing when printing on labels. Serious damage may result.

To enable or disable two-sided printing from the MFP control panel



NOTE Changing settings for two-sided printing through the MFP control panel affects all print jobs. Whenever possible, change settings for two-sided printing through your software application or printer driver.

NOTE Any changes made in the printer driver will override settings made using the MFP control panel.

1. Press **Menu** to enter the **MENUS**.
2. Scroll to and touch **CONFIGURE DEVICE**.
3. Scroll to and touch **PRINTING**
4. Touch **DUPLEX**.
5. Touch **ON** to enable two-sided printing or **OFF** to disable automatic two-sided printing.
6. Touch **Menu**.
7. Select two-sided printing from your software application or printer driver, if possible.



NOTE To select two-sided printing from the printer driver, the driver must first be properly configured. For more information, see [Printer drivers](#) or [Printer drivers for Macintosh computers](#).

Options for binding two-sided printing jobs

Before printing a two-sided document, use the printer driver to choose the edge on which you will bind your finished document. Long-edge or book binding is the conventional layout used in book binding. Short-edge or tablet binding is the typical calendar binding.



NOTE The default binding setting is to bind on the long edge when the page is set up for portrait orientation. To change to long-edge binding, click the **Flip Pages Up** check box.

Manual two-sided printing

If you want to print on two sides (duplex) on paper other than the supported sizes or weights (for example, paper heavier than 120 g/m² (32 lb) or very thin paper), you will have to go to the MFP and reinsert the paper manually after the first side has printed.



NOTE Damaged or previously used paper can cause paper jams and should not be used.

NOTE Manual two-sided printing is not supported for Windows 98/Me systems that use the PS driver.

To manually print on two sides (duplex)

1. Ensure that the printer driver is configured to allow manual duplexing. In the printer driver, select **Allow Manual Duplex**.
2. From the application, open the printer driver.
3. Select the appropriate size and type.
4. On the **Finishing** tab, click **Print on Both Sides** or **Print on Both Sides (Manually)**.
5. The default binding option is to bind on the long edge of the paper in portrait layout. To change the setting, click the **Finishing** tab, and select the **Flip pages up** check box.
6. Click **OK**. The **Print on Both Sides** instructions will appear. Follow the instructions to finish printing your document.



NOTE If the total number of sheets to be duplexed exceeds the Tray 1 capacity for manual duplex jobs, feed the top 100 sheets and press **Menu**. When prompted, feed the next 100 sheets and press **Menu**. Repeat as necessary until all the sheets from the output stack have been loaded into Tray 1.

For more information, see [Printer drivers](#) or [Printer drivers for Macintosh computers](#).

Printing booklets

Some versions of the printer driver let you control the printing of booklets when duplexing. You can select binding on the left or right side on letter, legal, or A4 paper size. Windows 2000 and XP supports booklet printing for all paper sizes.

For more information, see [Printer drivers](#) or [Printer drivers for Macintosh computers](#).

Stapling documents

The optional stapler/stacker can staple jobs of up to 30 sheets of 75 g/m² (20 lb) paper. The stapler can staple letter-size, A4-size, legal-size paper, Executive (JIS), and 8.5 x 13. The stapler/stacker can stack up to 500 sheets of paper.

- Paper weight can range from 60 to 120 g/m² (16 to 32 lb).
- If the job consists of only one sheet or more than 30 sheets, the MFP will print the job to the bin, but will not staple the job.
- The stapler supports paper only. Do not try to staple other media, such as transparencies or labels. The stapler staples a maximum of 20 sheets of glossy papers, cardstock, and HP Tough papers.

To staple a print job, select stapling in the software. You can usually select the stapler in your program or printer driver, although some options might be available only in the printer driver. Where and how you make selections depends on your program or printer driver. You might need to configure the printer driver to recognize the stapler/stacker. You need to set this setting only once. For details, see [Configuring the printer driver to recognize the 3-bin mailbox/stapler/stacker](#).

If you cannot select the stapler in the program or printer driver, select the stapler at the MFP control panel.

The stapler accepts print jobs if it is out of staples, but it does not staple the pages. The printer driver can be configured to disable the staple option if the staple cartridge is empty.

To select the stapler in an application (Windows)

1. On the **File** menu, click **Print**, and then click **Properties**.
2. On the **Output** tab, click the drop-down list under **Staple**, and click **One staple angled**.

To select the stapler at the control panel

1. Press **Menu** to enter the menus.
2. Scroll to and touch **CONFIGURE DEVICE**.
3. Scroll to and touch **STAPLER/STACKER**.
4. Touch **STAPLE**.
5. Touch **ONE**.



NOTE Selecting the stapler at the MFP control panel changes the default setting to **STAPLE**. It is possible that all print jobs will be stapled. However, settings that are changed in the printer driver override settings that are changed at the control panel.

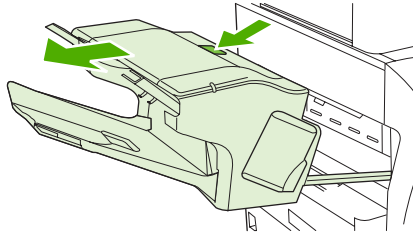
Loading staples

Load staples if the MFP control-panel display prompts you with a **STAPLER LOW ON STAPLES** message (the stapler has fewer than 20 usable staples left) or a **REPLACE STAPLER CARTRIDGE** message (the stapler is empty, or the remaining staples cannot be used).

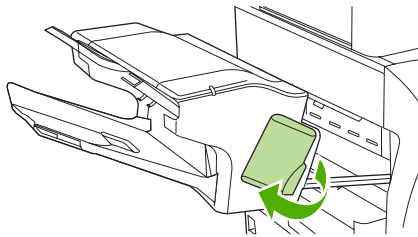
You can specify whether the MFP stops printing when the staple cartridge is empty or if it continues printing but does not staple the jobs. For more information, see [To configure the MFP to stop or continue when the staple cartridge is empty](#).

To load staples

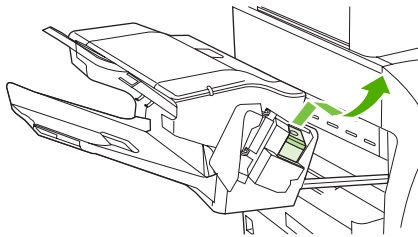
1. Press and hold the release button on the top of the stapler/stacker. Pull the stapler/stacker away from the MFP.



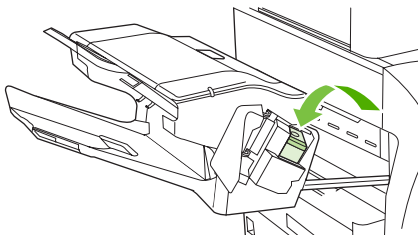
2. Open the staple-cartridge cover.



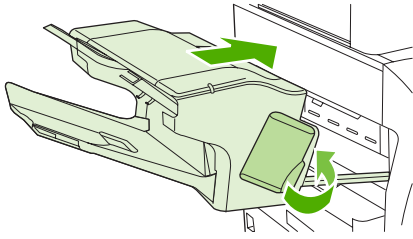
3. Grasp the green staple-cartridge handle and pull the old staple cartridge out of the stapler unit.



4. Insert the new staple cartridge into the stapler unit and push down on the green handle until the unit snaps into place.



5. Close the staple-cartridge cover, and slide the stapler/stacker into the MFP.



Special printing situations

Use these guidelines when printing on special types of media.

Printing a different first page

Use the following procedure to print the first page of a document on a different media type than the rest of the document, for example, to print the first page of a document on letterhead paper and the rest on plain paper.

1. From your application or printer driver, specify a tray for the first page and another tray for the remaining pages.

For more information, see [Printer drivers](#) or [Printer drivers for Macintosh computers](#).

2. Load the special media into the tray that you specified in step 1.
3. Load the media for the remaining pages of the document into another tray.

You can also print on different media by using the MFP control panel or printer driver to set the types of media that are loaded in the trays and then selecting the first and remaining pages by media type.

Printing a blank back cover

Use the following procedure to print a blank back cover. You can also select an alternate paper source or print on a different media type than the rest of the document.

1. On the printer driver's **Paper** tab, select **Use different paper**, then from the drop-down list, select **Back Cover**, check **Add a blank back cover**, and then click **OK**.
2. For more information, see [Printer drivers](#) or [Printer drivers for Macintosh computers](#).

You can also select an alternate paper source or print a blank back cover on a different media type than the rest of the document. If desired, select a different source and type from the drop-down lists.

Printing on custom-size media

The MFP supports single-sided printing on custom-size media. Tray 1 supports media sizes from 76 x 127 mm (3 x 5 inches) to 216 x 356 mm (8.5 x 14 inches). Trays 2, 3, and 4 support media sizes from 148 x 210 mm (5.83 x 8.27 inches) (A5 size) to 216 x 356 mm (8.5 x 14 inches).

When printing on custom-size media, if Tray 1 is configured in the MFP control panel as **TRAY X TYPE= ANY TYPE** and **TRAY X SIZE= ANY SIZE**, the MFP will print on whatever media is loaded in the tray. When printing on custom-size media from Tray 2, 3, or 4, adjust the switch on the tray to the **CUSTOM** position, and from the control panel, set the media size to **CUSTOM** or **ANY CUSTOM**.

Some software applications and printer drivers allow you to specify custom paper-size dimensions. You can configure custom paper sizes from the printer driver's **Paper** tab or **Forms** tab (Windows 2000 and XP). Be sure to set the correct paper size in both the page setup and print dialog boxes.

For more information, see [Printer drivers](#) or [Printer drivers for Macintosh computers](#).

If your software application requires you to calculate margins for custom-size paper, see the online Help for that application.

Stopping a print request

You can stop a print request either from the MFP control panel or from your software application. To stop a print request from a computer on a network, see the online Help for the specific network software.



NOTE It may take some time for all printing to clear after you have canceled a print job.

To stop the current print job from the MFP control panel

1. Press **Stop** on the MFP control panel.
2. To resume the print job, press **Start**.

Pressing **Stop** does not affect subsequent print jobs that are stored in the MFP buffer.

To stop the current print job from a software application

A dialog box will appear briefly on the control panel display, giving you the option to cancel the print job.

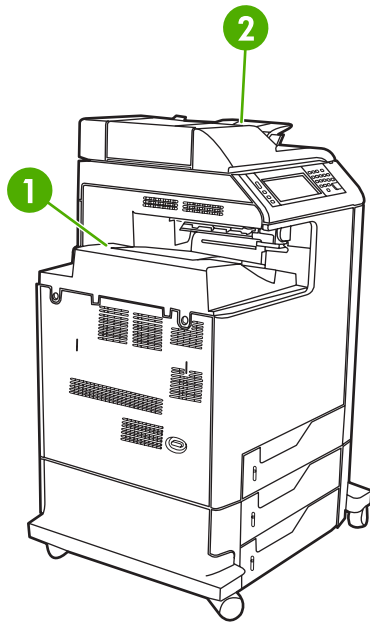
If several requests have been sent to the MFP through an application, the print jobs might be waiting in a print queue (for example, in Windows Print Manager). See the application documentation for specific instructions on canceling a print request from the computer.

If a print job is waiting in a print queue (computer memory) or print spooler (Windows 98, 2000, XP, or Me), delete the print job there.

For Windows 98, 2000, XP, or Me, go to **Start, Settings**, and then **Printers**. Double-click the **HP Color LaserJet 4730mfp** icon to open the print spooler. Select the print job you want to cancel, and then press **Delete**. If the print job is not cancelled, you might need to shut down and restart the computer.

Selecting the output bin

The MFP has two output-bin locations: the ADF output bin and the standard output bin(s) on the output device.



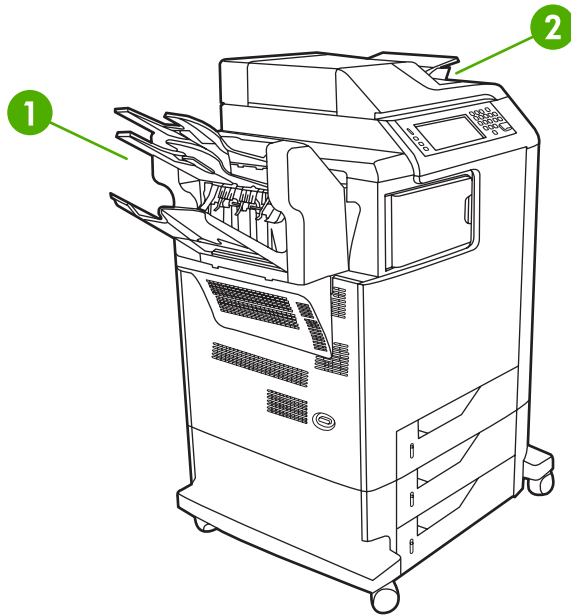
-
- | | |
|---|-------------------------------------|
| 1 | Standard output bin |
| 2 | ADF output bin (for copy originals) |

When documents are scanned or copied by using the ADF, the original documents are automatically delivered to the ADF output bin. Copies are delivered to the standard output bin or the output bin(s) on the stapler/stacker or to the 3-bin mailbox.

Documents that are sent to the MFP from a computer are delivered to the standard output bin or the output bin(s) on the stapler/stacker or to the 3-bin mailbox.

3-bin mailbox output bins

If you are using the 3-bin mailbox, three output bins are available. You can configure these bins to act as individual mailboxes, or they can be combined to function as a single bin to stack documents.



-
- | | |
|---|-------------------------------------|
| 1 | 3-bin mailbox output bins |
| 2 | ADF output bin (for copy originals) |

You can set up these options in the **CONFIGURE DEVICE** menu, on the **MBM-3 CONFIGURATION** submenu. This menu is available only when the 3-bin mailbox is installed. For more information about using the 3-bin mailbox, see [3-bin mailbox](#).

The top two bins each hold up to 100 sheets of paper. A sensor causes the MFP to stop when the bin is full. MFP operation continues when you empty or reduce the amount of media in the bin.

The lower bin holds up to 500 sheets of paper.

Selecting an output location

It is recommended that you select an output location (bin) through your program or driver. Where and how you make selections depends on your program or driver. If you cannot select an output location from the program or driver, set the default output location from the MFP control panel.

To select an output location at the control panel

1. Press **Menu**.
2. Scroll to and touch **CONFIGURE DEVICE**.
3. Scroll to and touch **PRINTING**.
4. Scroll to and touch **PAPER DESTINATION** to view the output bin options.
5. Scroll to and touch the output bin that you want. The message **Setting saved** appears on the control-panel display for a moment.

Job storage features

The HP Color LaserJet 4730mfp series lets you store a job in the MFP's memory for printing at a later time. The job storage features use memory from both the hard disk and random access memory (RAM). These job storage features are described below.

To support job storage features for complex jobs, or if you often print complex graphics, print PostScript (PS) documents, or use many downloaded fonts, HP recommends that you install additional memory. Added memory also gives you more flexibility in supporting job-storage features, such as quick copying.



NOTE To use the Private Job and Proof and Hold features, you must have a minimum of 192 MB of memory: 256 MB DDR plus 32 MB of additional memory on the formatter board.



CAUTION Make sure to uniquely identify jobs in the printer driver before printing. Using default names may override previous jobs with the same default name or cause the job to be deleted.

Proofing and holding a job

The proof and hold feature provides a quick and easy way to print and proof one copy of a job and then print additional copies. This option stores the print job on the MFP hard disk, and prints only the first copy of the job, allowing you to check the first copy. If the document prints correctly, you can print the remaining copies of the print job from the MFP control panel. The number of proof-and-hold print jobs that can be stored in the MFP is set from the MFP control panel.

To permanently store the job and prevent the MFP from deleting it, select the **Stored Job** option in the driver.

Printing stored jobs

1. Press **Menu** to enter **MENUS**.
2. Touch **RETRIEVE JOB**.
3. Touch **USER NAME** to see a list of names.
4. Scroll to and touch your name to see a list of jobs.
5. Scroll to and touch your job.
6. Touch **PRINT**.
7. To print the default number of copies, touch **OK**. To change the number of copies, use the keypad to select a new number and touch **OK**.

Deleting stored jobs

When you send a stored job, the MFP overwrites any previous jobs with the same user and job name. If there is not a job already stored under the same user and job name, and the MFP needs additional space, the MFP may delete other stored jobs starting with the oldest. The default number of jobs that can be stored is 32. You can change the number of jobs that can be stored from the control panel. For more information about setting the job storage limit, see [Configure device menu](#).

A job can be deleted from the control panel, from the embedded Web server, or from HP Web Jetadmin. To delete a job from the control panel, use the following procedure:

1. Press **Menu** to enter **MENUS**.
2. Scroll to and touch **RETRIEVE JOB**.
3. Scroll to and touch your name.
4. Scroll to and touch your job.
5. Scroll to and touch **DELETE**.
6. Touch **YES**.

Quick-copying a job

Quick Copy stores a copy of a printed job on the hard disk, and allows you to print additional copies of a print job using the control panel. The number of quick-copy print jobs that can be stored in the MFP is set from the MFP control panel.

This feature can be turned on or off from the driver.

1. Press **Menu** to enter **MENUS**.
2. Touch **RETRIEVE JOB**.
3. Touch your **USER NAME** to see a list of names.
4. Scroll to your job and touch **OK**.
5. To print the default number of copies, touch **PRINT**. To change the number of copies, use the keypad to enter the number of copies and touch **OK**.

Private jobs

This option allows you to send a print job directly to the MFP memory. Selection of Private Job activates the PIN field. The print job can be printed only after you type a PIN in the MFP control panel. After the job is printed, the MFP removes the job from the MFP memory. This feature is useful when you are printing sensitive or confidential documents that you do not want to leave in an output bin after printing. Private Job stores the print job on the hard disk. After it is released for printing, the private job is immediately deleted from the MFP. If more copies are needed, you have to reprint the job from the program. If you send a second private job to the MFP with the same user name and job name as an existing private job (and you have not released the original job for printing), the job will overwrite the existing job, regardless of the PIN. Private jobs are deleted if power to the MFP is turned off.



NOTE A lock symbol next to a job name indicates that the job is private.

Specify that a job is private from the driver. Select the **Private Job** option and type a 4-digit PIN. To avoid overwriting jobs with the same name, also specify a username and job name.

Printing a private job

1. Press **Menu** to enter **MENUS**.
2. Touch **RETRIEVE JOB**.

3. Touch your **USER NAME**.
4. Touch the **JOB NAME**.
5. Touch **PRINT**.
6. Use the keypad to enter the PIN.
7. Use the keypad to enter the number of copies and touch **OK**.

Deleting a private job

A private job can be deleted from the MFP control panel. You can delete a job without printing it, or it will be automatically deleted after it is printed.

1. Press **Menu** to enter **MENUS**.
2. Touch **RETRIEVE JOB**.
3. Touch your **USER NAME**.
4. Touch the **JOB NAME**.
5. Touch **DELETE**.
6. Use the keypad to enter the PIN and touch **OK**.

Storing a print job

You can download a print job to the MFP without printing it. You can then print the job at any time through the MFP control panel. For example, you may want to download a personnel form, calendar, time sheet, or accounting form that other users can access and print.

To store a print job permanently, select the **Stored Job** option in the driver when printing the job.

1. Press **Menu** to enter **MENUS**.
2. Touch **RETRIEVE JOB**.
3. Touch **USER NAME**.
4. Touch **JOB NAME**.
5. Touch **PRINT**.
6. Use the keypad to enter the PIN, and touch **OK**.
7. Use the keypad to enter the number of copies, and touch **OK**.

Mopier mode

When Mopier Mode is enabled, the MFP produces multiple, collated copies from a single print job. Multiple-original printing (mopying) increases MFP performance and reduces network traffic by sending the job to the MFP once, then storing it in the MFP's RAM. The remainder of the copies are printed at the MFP's fastest speed. All documents can be created, controlled, managed, and finished from the desktop, which eliminates the extra step of using a photocopier.

Managing memory

This MFP supports up to 544 MB of memory: 512 MB DDR plus 32 MB of additional memory on the formatter board. You can add additional memory by installing dual data-rate (DDR) memory. To allow for memory expansion, the MFP has two DDR slots, which accept 128 or 256 MB of RAM each. For information about installing memory, see [Working with memory and print server cards](#).



NOTE Memory specification: HP Color LaserJet 4730mfp series use 200-pin small outline dual inline memory modules (SODIMM) that support 128 or 256 MB of RAM.

The MFP features Memory Enhancement Technology (MEt), which automatically compresses page data to provide the most efficient use of the MFP's RAM.

The MFP uses DDR SODIMM. Extended data output (EDO) DIMMs are not supported.



NOTE If memory problems occur when you are printing complex graphics, you can make more memory available by removing downloaded fonts, style sheets, and macros from MFP memory. Reducing the complexity of a print job from within an application can help avoid memory problems.

Using features in the printer driver

When you print from a software program, many of the product features are available from the printer driver. For complete information about the features that are available in the printer driver, see the printer-driver Help. The following features are described in this section:

- [Creating and using quick sets](#)
- [Creating and using watermarks](#)
- [Resizing documents](#)
- [Setting a custom paper size from the printer driver](#)
- [Using different paper/covers](#)
- [Printing a blank first page](#)
- [Printing multiple pages on one sheet of paper](#)
- [Printing on both sides of the paper](#)
- [Setting the stapling options](#)
- [Setting the color options](#)
- [Using the HP Digital Imaging Options dialog box](#)
- [Using the Services tab](#)



NOTE Settings in the printer driver and software program generally override control-panel settings. Software-program settings generally override printer-driver settings.

Creating and using quick sets

Use quick sets to save the current driver settings for reuse. For example, you can save the page orientation, print on both sides, and paper source settings in a quick set. Quick sets are available on most printer-driver tabs. You can save up to 25 Print Task Quick Sets.



NOTE The printer driver might report that 25 Print Task Quick Sets have been defined when fewer than 25 are visible. Some predefined Print Task Quick Sets, which do not apply to your product, might be included and are counted in the total number.

To create a quick set

1. Open the printer driver (see [Gaining access to the printer drivers](#)).
2. Select the print settings that you want to use.
3. In the **Print Task Quick Sets** box, type a name for the selected settings (for example "Quarterly Report" or "My Project Status").
4. Click **Save**.

To use quick sets

1. Open the printer driver (see [Gaining access to the printer drivers](#)).
2. Select the quick set that you want to use from the **Print Task Quick Sets** drop-down list.
3. Click **OK**. The product is now set to print according to the saved settings in the quick set.



NOTE To restore printer-driver default settings, select **Default Print Settings** from the **Print Task Quick Sets** drop-down list.

Creating and using watermarks

A watermark is a notice, such as "Confidential," that is printed in the background of each page of a document.

To use an existing watermark

1. Open the printer driver (see [Gaining access to the printer drivers](#)).
2. From the **Effects** tab, click the **Watermarks** drop-down list.
3. Click the watermark that you want to use.
4. If you want the watermark to appear only on the first page of the document, click **First Page Only**.
5. Click **OK**. The product is now set to print the watermark that you have selected.

To remove the watermark, click **(none)** in the **Watermarks** drop-down list.

Resizing documents

Use the document resizing options to scale a document to a percentage of its normal size. You can also choose to print a document on a different size paper, with or without scaling.

To reduce or enlarge a document

1. Open the printer driver (see [Gaining access to the printer drivers](#)).
2. On the **Effects** tab, type the percentage by which you want to reduce or enlarge your document.
You can also use the scroll bar to adjust the reduce or enlarge percentage.
3. Click **OK**. The product is now set to scale the document to the reduce or enlarge percentage that you selected.

To print a document onto a different paper size

1. Open the printer driver (see [Gaining access to the printer drivers](#)).
2. On the **Effects** tab, click **Print Document On**.
3. Select the target paper size to print on.
4. To print the document on the target paper size without scaling it to fit, make sure that the **Scale to Fit** option is *not* selected.
5. Click **OK**. The product is now set to print the document as you specified.

Setting a custom paper size from the printer driver

To set a custom paper size

1. Open the printer driver (see [Gaining access to the printer drivers](#)).
2. On the **Paper** or **Paper/Quality** tab, click **Custom**.
3. On the **Custom Paper Size** window, type the name of the custom paper size.
4. Type the paper-size length and width. If you type a size that is too small or too large, the driver automatically adjusts the size to the minimum or maximum size that is allowed.
5. If necessary, click the button to change the unit of measure between millimeters and inches.
6. Click **Save**.
7. Click **Close**. The product is now set to print the document on the custom-size paper that you selected. The name that you saved appears in the paper-size list for future use.

Using different paper/covers

Follow these instructions for printing a first page that is different from other pages in the print job.

1. Open the printer driver (see [Gaining access to the printer drivers](#)).
2. On the **Paper** or **Paper/Quality** tab, select the appropriate paper for the first page of the print job.
3. Click **Use Different Paper/Covers**.
4. In the list box, click the pages or covers that you want to print on different paper.
5. To print front or back covers, you must also select **Add Blank or Preprinted Cover**.
6. Select the appropriate paper type or source for the other pages of the print job. The product is now set to print the document on the paper that you selected.



NOTE The paper size must be the same for all pages of the print job.

Printing a blank first page

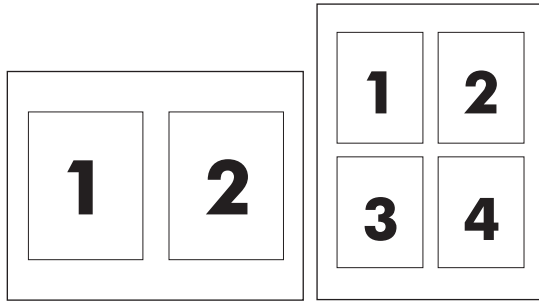
To print a blank first page

1. Open the printer driver (see [Gaining access to the printer drivers](#)).
2. On the **Paper** or **Paper/Quality** tab, click **Use Different Paper/Covers**.
3. In the list box, click **Front Cover**.
4. Click **Add Blank or Preprinted Cover**.

Printing multiple pages on one sheet of paper

You can print more than one page on a single sheet of paper. This feature is available in some drivers and provides a cost-effective way to print draft pages.

To print more than one page on a sheet of paper, look for a layout or pages-per-sheet option in the driver. (This is sometimes called 2-up, 4-up, or n-up printing.)



To print multiple pages on one sheet of paper

1. Open the printer driver (see [Gaining access to the printer drivers](#)).
2. Click the **Finishing** tab.
3. In the section for **Document Options**, select the number of pages that you want to print on each sheet (1, 2, 4, 6, 9, or 16).
4. If the number of pages is greater than 1, select the correct options for **Print Page Borders** and **Page Order**.
 - Click **Print Page Borders** if you want to print a border around each page on the sheet.
 - Click **Page Order** to select the order and placement of the pages on the sheet.
5. Click **OK**. The product is now set to print the number of pages per sheet that you have selected.


Printing on both sides of the paper

When a duplex printing accessory is installed, you can automatically print on both sides of a page. If a duplex printing accessory is not installed, you can manually print on both sides of a page by feeding the paper through the product a second time.



NOTE In the printer driver, **Print on Both Sides (manually)** is available only when no duplex printing accessory is installed in the product or when the duplex printing accessory does not support the type of print media being used.

To print on both sides by using the duplex-printing accessory

1. Insert enough paper into one of the trays to accommodate the print job. If you are loading special paper such as letterhead, load it in one of the following ways:
 - For tray 1, load the letterhead paper with the front side up, bottom-edge first.
 - For all other trays, load the letterhead paper with front side down, and the top edge at the back of the tray.
-  **CAUTION** Do not load paper that is heavier than 105 g/m² (28 lb bond). This could lead to a Paper Jam in the printer.
2. Open the printer driver (see [Gaining access to the printer drivers](#)).

3. For Windows, on the **Finishing** tab, click **Print on Both Sides**.
4. Click **OK**. The product is now ready to print on both sides of the paper.

To print on both sides manually

1. Insert enough paper into one of the trays to accommodate the print job. If you are loading special paper such as letterhead, load it in one of the following ways:
 - For tray 1, load the letterhead paper with the front side up, bottom-edge first.
 - For all other trays, load letterhead paper with front side down, and the top edge at the back of the tray.

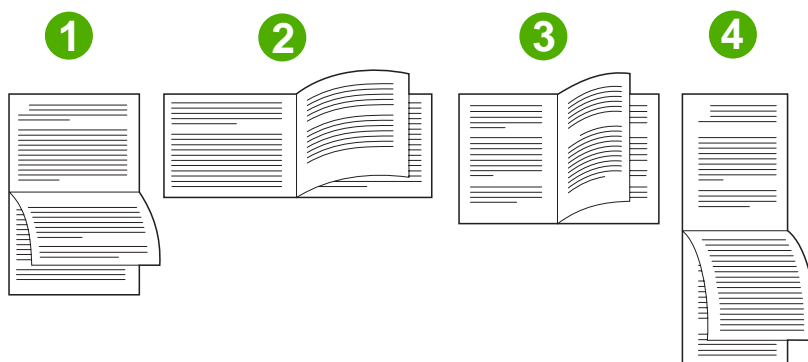


CAUTION Do not load paper that is heavier than 105 g/m² (28 lb bond). Jamming could result.

2. Open the printer driver (see [Gaining access to the printer drivers](#)).
3. On the **Finishing** tab, select **Print on Both Sides (manually)**.
4. Click **OK**.
5. Send the print job to the product.
6. Go to the product. Remove any blank paper that is in tray 1. Insert the printed stack with the printed side up, and the bottom-edge feeding into the product first. You must print the second side from tray 1. Follow the instructions in the pop-up window that appears before feeding the output stack back into Tray 1 for printing the second half.
7. A prompt might appear on the control-panel display that instructs you to press a button to continue.

Layout options for printing on both sides

The four duplex orientation options are shown below. To select option 1 or 4, select **Flip Pages Up** in the printer driver.



1. Long-edge landscape

This layout is often used in accounting, data processing, and spreadsheet programs. Every other printed image is oriented upside-down. Facing pages are read continuously from top to bottom.

2. Short-edge landscape	Each printed image is oriented right-side-up. Facing pages are read from top to bottom on the left page, then from top to bottom on the right page.
3. Long-edge portrait	This is the default setting, and the most common layout used, with every printed image oriented right-side-up. Facing pages are read from top to bottom on the first page, then from top to bottom on the second page.
4. Short-edge portrait	This layout is often used with clipboards. Every other printed image is oriented upside-down. Facing pages are read continuously from top to bottom.

Setting the stapling options

You can select whether a job is stapled by using the printer driver.

To set the stapling options

1. Open the printer-driver properties, and click the **Configure** tab. (The **Configure** tab is not available from within software programs.)



NOTE The procedure to open the printer-driver properties depends on the operating system that you are using. For information about opening the printer-driver properties for your operating system, see [Gaining access to the printer drivers](#). Look for the column titled "To change the configuration settings".

2. In the area for configuring additional output devices, select the stapler/stacker, and then click **OK**.
3. Open the printer driver (see [Gaining access to the printer drivers](#)).
4. Click the **Output** tab.
5. In the **Staple** box, select the stapling option that you want to use for the print job.
6. Click **OK**. The product is now set to use the stapling option that you selected.

Setting the color options

Options on the **Color** tab control how colors are interpreted and printed from software programs. You can choose either **Automatic** or **Manual** color options. For more information, see [Managing printer color options on Windows computers](#).

- Select **Automatic** to optimize the color and halftone used for each element in a document (such as text, graphics, and photographs). The **Automatic** setting provides additional color options for applications and operating systems that support color-management systems. This setting is recommended for printing all color documents.
- Select **Manual** to manually adjust the color and halftone modes for text, graphics, and photographs. If you are using a PCL driver, you can adjust the RGB data. If you are using the PS driver, you can adjust RGB or CMYK data.

To set the color options

1. Open the printer driver (see [Gaining access to the printer drivers](#)).
2. Select the **Color** tab.
3. In the **Color Options** area, select the option that you want to use.
4. If you selected **Manual**, click **Settings** to open the **Color Settings** dialog box. Adjust the individual settings for text, graphics, and photographs. You can also adjust the general printing settings. Click **OK**.
5. In the **Color Themes** area, select the **RGB Color** option that you want to use.
6. Click **OK**. The product is now set to use the color options that you selected.

Using the HP Digital Imaging Options dialog box

HP Digital Imaging Options make it easy for you to get better photos and images.



NOTE **HP Digital Imaging Options** are available for Windows 2000, Windows XP, and Windows Server 2003.

The following options are available on the **HP Digital Imaging Options** dialog box:

- **Contrast Enhancement:** Automatically enhance colors and contrast for washed-out photos. Click **Automatic** to allow the printer software to intelligently brighten your photo, focusing only on areas that need adjustment.
- **Digital Flash:** Adjust the exposure in dark areas of photos to bring out detail. Click **Automatic** to allow the printer software to balance lightness and darkness automatically.
- **SmartFocus:** Enhance the image quality and clarity of low resolution images such as those downloaded from the Internet. Click **On** to allow the printer software to sharpen details in the image automatically.
- **Sharpness:** Adjust the image sharpness to your preference. Click **Automatic** to allow the printer software to set the level of sharpening for the image automatically.
- **Smoothing:** Soften an image. Click **Automatic** to allow the printer software to set the level of smoothing for the image automatically.

Opening the HP Digital Imaging Options dialog box

1. Open the **Printer Properties** dialog box.
2. Click the **Paper/Quality** tab, and then click the **HP Digital Imaging** button.



NOTE If you installed the HP Image Zone software, you can use it to edit and further enhance digital photos.

Using the Services tab



NOTE The **Services** tab is available for Windows XP.

If the product is connected to a network, use the **Services** tab to obtain product and supply-status information. Click the **Device and Supplies status icon** to open the **Device Status** page of the HP Embedded Web Server. This page shows the current status of the product, the percentage of life remaining for each supply, and information for ordering supplies.

Using features in the Macintosh printer driver

When you print from a software program, many of the printer features are available from the printer driver. For complete information about the features that are available in the printer driver, see the printer-driver Help. The following features are described in this section:

- [Creating and using presets in Mac OS X](#)
- [Printing a cover page](#)
- [Printing multiple pages on one sheet of paper](#)
- [Printing on both sides of the paper](#)
- [Setting the color options](#)



NOTE Settings in the printer driver and software program generally override control-panel settings. Software-program settings generally override printer-driver settings.

Creating and using presets in Mac OS X

Use presets to save the current driver settings for reuse. For example, you can save the page orientation, print-on-both-sides feature, and paper-type settings in a preset.

To create a preset

1. Open the printer driver (see [Gaining access to the printer drivers](#)).
2. Select the print settings that you want to use.
3. In the **Presets** box, click **Save As...**, and type a name for the preset (for example "Quarterly Report" or "My Project Status").
4. Click **OK**.

To use presets

1. Open the printer driver (see [Gaining access to the printer drivers](#)).
2. In the **Presets** menu, select the preset that you want to use.



NOTE To restore printer-driver default settings, select **Standard** from the **Presets** pop-up menu.

Printing a cover page

If you want to, you can print a separate cover page for your document that includes a message (such as "Confidential").

To print a cover page

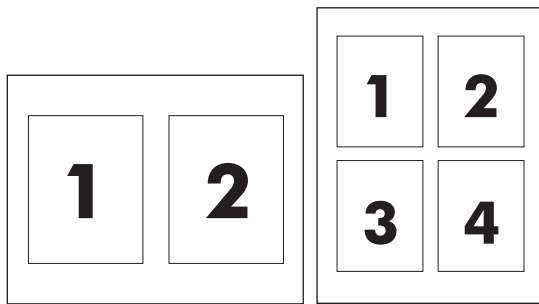
1. Open the printer driver (see [Gaining access to the printer drivers](#)).
2. On the **Cover Page** or **Paper/Quality** pop-up menu, select whether to print the cover page **Before Document** or **After Document**.
3. If you are using Mac OS X, in the **Cover Page Type** pop-up menu, select the message that you want to print on the cover page.



NOTE To print a blank cover page, select **Standard** as the **Cover Page Type**.

Printing multiple pages on one sheet of paper

You can print more than one page on a single sheet of paper. This feature provides a cost-effective way to print draft pages.



To print multiple pages on one sheet of paper

1. Open the printer driver (see [Gaining access to the printer drivers](#)).
2. Click the **Layout** pop-up menu.
3. Next to **Pages per Sheet**, select the number of pages that you want to print on each sheet (1, 2, 4, 6, 9, or 16).
4. If the number of pages is greater than 1, next to **Layout Direction**, select the order and placement of the pages on the sheet.
5. Next to **Borders**, select the type of border to print around each page on the sheet.

Printing on both sides of the paper

When a duplex printing accessory is installed, you can automatically print on both sides of a page. If a duplex printing accessory is not installed, you can manually print on both sides of a page by feeding the paper through the printer a second time.

To print on both sides by using the duplex-printing accessory

1. Insert enough paper into one of the trays to accommodate the print job. If you are loading special paper such as letterhead, load it in one of the following ways:
 - For tray 1, load the letterhead paper with the front side up and the bottom-edge feeding into the printer first.
 - For all other trays, load the letterhead paper with the front side down and the top edge at the back of the tray.



CAUTION Do not load paper that is heavier than 105 g/m² (28-lb bond). Jamming might result.

2. Open the printer driver (see [Gaining access to the printer drivers](#)).
3. Open the **Layout** pop-up menu.
4. Next to **Two Sided Printing**, select either **Long-Edge Binding** or **Short-Edge Binding**.
5. Click **Print**.

To print on both sides manually

1. Insert enough paper into one of the trays to accommodate the print job. If you are loading special paper such as letterhead, load it in one of the following ways:
 - For tray 1, load the letterhead paper with the front side up and the bottom-edge feeding into the printer first.
 - For all other trays, load the letterhead paper with the front side down, and the top edge at the back of the tray.



CAUTION Do not load paper that is heavier than 105 g/m² (28-lb bond). Jamming might result.

2. Open the printer driver (see [Gaining access to the printer drivers](#)).
3. On the **Finishing** pop-up menu, select the **Manual Duplex** option.



NOTE If the **Manual Duplex** option is not enabled, select **Manually Print on 2nd Side**.

4. Click **Print**.
5. Go to the printer. Remove any blank paper that is in tray 1. Insert the printed stack with the printed side up and the bottom-edge feeding into the printer first. You must print the second side from tray 1. Follow the instructions in the pop-up window that appears before replacing the output stack in tray 1 for printing the second half.
6. If a prompt appears on the control-panel display, press a control-panel button to continue.

Setting the color options

Use the **Color Options** pop-up menu to control how colors are interpreted and printed from software programs.



NOTE For more information about using the color options, see [Managing printer color options on Macintosh computers](#).

To set the color options

1. Open the printer driver (see [Gaining access to the printer drivers](#)).
2. Open the **Color Options** pop-up menu.
3. If you are using Mac OS X, click **Show Advanced Options**.
4. Manually adjust the individual settings for text, graphics, and photographs.

5 Copying

This MFP can function as a standalone, walk-up copier. It is not necessary to install the printing system software on a computer, nor is it necessary to have a computer turned on to make photocopies. You can adjust the copy settings at the control panel. You can also copy originals by using either the ADF or the scanner glass. The MFP can process copying, printing, and digital-sending jobs simultaneously.

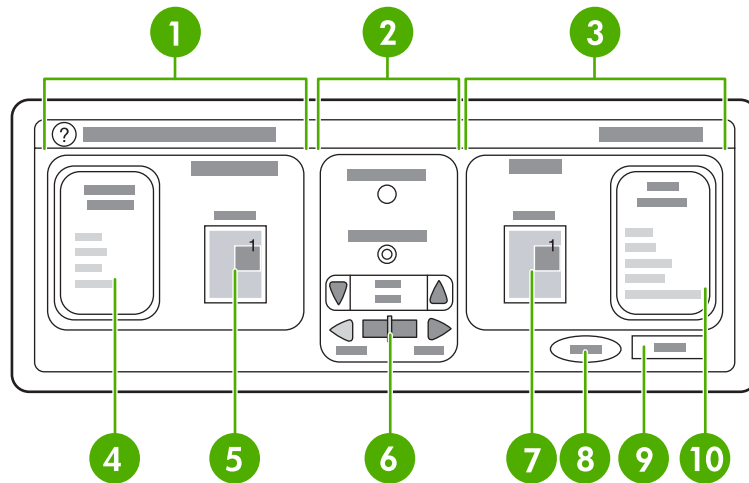
This chapter provides information about how to make copies and how to change copy settings, including the following topics:

- [Copy-screen navigation](#)
- [Basic copying instructions](#)
- [Modifying copy settings for the current job](#)
- [Copying multiple sized originals](#)
- [Creating a stored copy job](#)

It is recommended that you review the basic control-panel information before using the MFP copying functions. See [Using the control panel](#) for more information.

Copy-screen navigation

Navigate through the control-panel features and options by using the touchscreen graphical display.



1	Original section
2	Image modification section
3	Copy section
4	Describe Original button
5	Original page-size icon
6	Contrast adjustment
7	Copy page icon
8	Start button
9	Back button
10	COPY SETTINGS button

User-attention error messages appear in a pop-up dialog box that prohibits normal screen interaction until the message is cleared.

Cancel button

Each lower-level screen (any screen after the home screen) has a **Cancel** button. Touching the **Cancel** button negates any changes you made, and takes you back to the previous screen.

OK button

Each lower-level screen on the touchscreen has an **OK** button. Touching the **OK** button accepts any changes that you made, and takes you to the next screen.

Basic copying instructions

This section provides the basic instructions for copying.

Copying by using the default settings

The default settings for copying are the following:

- Number of copies: One
- Size: Letter/A4-size original and Letter/A4-size copy
- Page Orientation: Portrait
- Number of Sides: One-sided copying
- Page Content: Mixed (mixed text and graphics)
- Job Mode: Off
- Heavy Paper: Off
- Black copies

To copy by using the default settings

1. Place the document face-down on the scanner glass or face up in the ADF.
2. Press **Start**.

Copying by using user-defined settings

Use the following procedure to change the settings for your copies.

To make copies by using settings other than the default settings

1. Place the original face-down on the scanner glass or face-up in the ADF.
On the touchscreen of the graphical display, do the following:
 2. Touch **COPY**.
 3. Touch **Describe Original** to view the options. You can select **BASIC** options or **Advanced...** options.
 4. Touch the **BASIC** items that describe your original. The following options are available:
 - **Size**: Select the paper size of your original.
 - **PAGE ORIENTATION**: Select **PORTRAIT** or **LANDSCAPE**. For portrait orientation, the top of the original document is along the short edge of the page. For landscape orientation, the top of the original document is along the long edge of the page.
 - **NUMBER OF SIDES**: Select **1** or **2**.
 - **PAGE CONTENT**: Select **TEXT**, **MIXED**, **PHOTO**, or **GLOSSY PHOTO**.
 5. Touch the **Advanced...** tab to change the **Job Mode** setting. If you are combining multiple scans into a single job, select **ON**. For more information, see [Using Job Mode](#).

6. After you make your selections, touch **OK**.



NOTE The page icon in the **ORIGINAL** section of the graphical display shows a representative image of the original document.

7. Make any necessary adjustments to the contrast and reduction or enlargement by using the **CONTRAST CONTROL** bar and the **REDUCE/ENLARGE** button in the image modification section of the graphical display.
8. Touch **COPY** to view your options. You can select **BASIC** options or **Advanced...** options.
9. **SIZE AND TYPE:** Select **AUTO** (paper size is matched to original size), or the copy size that you want. Be sure that you have loaded the correct paper size in the tray.

NUMBER OF SIDES: Select **1-SIDED** or **2-SIDED**.

-or-

BACK SIDE ORIENTATION: Select **NORMAL** or **FLIP** (applies when **2-SIDED** copying is chosen).

-or-

PAGES PER SHEET: Select **1**, **2**, **4**, or **BOOKLET**.

-or-

If you select **4** pages per sheet, "Z" or "N" ordering is tailored to the page orientation, and the option to put a border around each smaller page is displayed.

-or-

BORDER: Select **BORDER** or **NO BORDER**. This item is available only when printing multiple pages on one sheet.

-or-

STAPLE: Stapling options depend on your output device and the paper size selected.

10. Touch the **Advanced...** options, if necessary. Some of the options include the following items:
 - **COLLATION:** Select **COLLATED** or **UNCOLLATED**.
 - **Output Bin:** Select the appropriate bin.
 - **Job Storage:** Select **ON** to indicate that the copy job should be stored on the MFP rather than printed. Select **OFF** to copy the job normally. See [Creating a stored copy job](#) for more information.
 - **ENHANCE:** Touch **SHARPNESS** or **BACKGROUND REMOVAL**.
 - **SCALE TO FIT:** Select **ON** to automatically scale the copy to fit on the paper that is loaded in the MFP.



NOTE The page icon in the **COPY** section of the graphical display shows a representative image of the copy.

11. After you make your selections, touch **OK**.
12. Use the numeric keypad to type the number of copies, and then press **Start**.

Copying by using the scanner glass

Use the scanner glass to copy small, lightweight (less than 60 g/m² (16 lb)), or irregularly-sized originals such as receipts, newspaper clippings, photographs, or old or worn documents.

1. Place the document face-down on the scanner glass.
2. Make any image modifications, and select any copy settings, if necessary.
3. If you are making only one copy, press **Start**. If you are making multiple copies, use the numeric keypad to type the number of copies (up to 999), and then press **Start** to begin copying. If you are copying more than one page from the scanner glass, see [Using Job Mode](#) to make a multi-page copy job.

Copying by using the ADF

Use the ADF to make as many as 999 copies of a document that has up to 50 pages (depending on the thickness of the pages).

1. Load the document face-up in the ADF.
2. Make any image modifications, and select any copy settings.
3. If you are making only one copy, press **Start**. If you are making multiple copies, use the numeric keypad to type the required number of copies, and then press **Start**.

The ADF can distinguish between letter- and legal-sized original documents. If the document that you are copying has mixed sizes, specify **MIXED LTR/LGL** in the **Describe Original** settings. Copying is slower when using this feature.

Using Job Mode

Use the Job Mode feature to build a single copy job from multiple scans. You can use either the ADF or the scanner glass. The settings for the first scan are used for subsequent scans.

1. Touch **COPY**.
2. Touch **Describe Original**.
3. Touch **Advanced....**
4. In the **JOB MODE** check box, touch **ON**.
5. Select any output settings, if necessary.
6. After each page is scanned, the control panel prompts you for more pages.
7. If the job contains more pages, load the next page, and then press **Start**.
8. If the job contains no more pages, touch **FINISHED** to print.



NOTE In Job Mode, if you scan the first page of a document by using the ADF, then you must scan all of the pages in that document by using the ADF. If you scan the first page of a document by using the scanner glass, then you must scan all of the pages in that document by using the scanner glass.

Modifying copy settings for the current job

You can modify your copies by adjusting the contrast, reducing or enlarging the size, or enhancing the quality.

Adjusting the copy brightness

You can adjust the contrast by touching the arrows on the **BRIGHTNESS CONTROL** bar. The slider moves to the lighter or darker area of the bar.

Reducing or enlarging copies

The MFP has an autoscaling feature. If the original paper size differs from the copy paper size, the MFP can autodetect a size mismatch between the original page size and the copy page size. The scanned image of the original page is reduced or enlarged automatically to match the copy paper size. You can override autoscaling by using the reduce and enlarge feature.

The MFP can reduce copies to as little as 25% of the original size and enlarge copies to as much as 400% of the original (200% when using the ADF).

To reduce or enlarge your copies, touch the arrows on the **REDUCE/ENLARGE** button until you reach the size that you want. The scale percentage box in the center of the **REDUCE/ENLARGE** button indicates the percentage of reduction or enlargement. You can also touch **100%** to display the keypad to type the number that you want. Touch **OK** to save the changes.

Background removal

If you copy a document that is printed on colored paper, or if you use two-sided copying, you can enhance the copy quality by removing any background that might cause your copy to streak or blur. Touch **COPY SETTINGS**, and then touch the **Advanced...** tab to gain access to the embedded **BACKGROUND REMOVAL** screen. Adjust the amount of background removal by touching the arrows on the **BACKGROUND REMOVAL** control. The slider moves to the lighter or darker area of the **BACKGROUND REMOVAL** control bar.

Sharpness

The **SHARPNESS** control specifies the sharpness setting that the scanner uses when the MFP scans your original. Touch **COPY SETTINGS**, and then touch the **Advanced...** tab to gain access to the **SHARPNESS** screen. Sharpness enhances the edges of the original so that faint or fine text and graphics are reproduced more sharply. Adjust the amount of sharpness by touching the arrows on the **SHARPNESS** control bar.

Copying multiple sized originals

If the original document contains mixed-size originals, for example, a letter-size document with several legal-size charts, see [Copying submenu](#) and [Copying by using the ADF](#) for more information.

Creating a stored copy job

Turning on the job storage setting indicates that you want the copy job to be stored on the hard disk, and that you will print the job later. You must provide the following information to create a stored job:

1. Touch **COPY SETTINGS**.
2. Select your basic copy settings (see [Copying by using user-defined settings](#)).
3. Touch the **Advanced...** tab.
4. At the **Job Storage** box, select **ON**. A popup dialog box is displayed, asking for the **USER NAME**, and **JOB NAME**. If **AUTHENTICATION REQUIRED** is selected, a Personal Identification Number (PIN), if required. To enter the PIN, touch the small box next to **AUTHENTICATION REQUIRED**. The keyboard is displayed when you select **USER NAME** and **JOB NAME**. The PIN is a four-digit number that can be typed on the numeric keypad.
5. Type the User Name.
6. Type the Job Name.
7. Type the PIN, if required.
8. Touch **OK**.
9. Press **Start**.

See [Printing stored jobs](#) for information on printing a stored job.

6 Scanning and sending to e-mail

The MFP offers color-scanning and digital-sending capabilities. By using the control panel, you can scan black-and-white or color documents and send them to an e-mail address as an e-mail attachment. To use digital sending, the MFP must be connected to a local area network (LAN). The MFP connects directly to your LAN.

This chapter addresses both scanning and sending, because they are fully integrated functions. The following topics are addressed in this chapter:

- [What is SMTP?](#)
- [What is LDAP?](#)
- [e-mail configuration](#)
- [e-mail screen navigation](#)
- [e-mail basics](#)
- [Using the address book](#)
- [Additional e-mail features](#)

What is SMTP?

Simple mail transfer protocol (SMTP) is a set of rules that define the interaction between programs that send and receive e-mail. In order for the MFP to send documents to e-mail, it must be connected to a LAN that has a valid SMTP IP address. The SMTP server must also have Internet access.

If you are using a LAN connection, contact your system administrator to obtain the IP address for your SMTP server. If you are connecting through a DSL connection, contact the service provider to obtain the SMTP server IP address.

What is LDAP?

Lightweight Directory Access Protocol (LDAP) is used to gain access to a database of information. When the MFP uses LDAP, it searches a global list of e-mail addresses. As you begin to type the e-mail address, LDAP uses an auto-complete feature that supplies a list of e-mail addresses that match the characters you type. As you type additional characters, the list of matching e-mail addresses becomes smaller.

The MFP supports LDAP, but a connection to an LDAP server is not required in order for the MFP to be able to send to e-mail.

e-mail configuration

Before you can send a document to e-mail, you must configure the MFP for e-mailing. The MFP has an auto-configuration feature that attempts to find the correct IP addresses for the SMTP server and the LDAP server. You can also configure the IP addresses manually.



NOTE The instructions that follow are for configuring the MFP at the control panel. You can also perform these procedures by using the embedded Web server. For more information, see [Using the embedded Web server](#).

Automatic e-mail configuration

1. On the MFP control panel, touch **Menu**.
2. Touch **CONFIGURE DEVICE**, and then touch **SENDING**.
3. Touch **E-MAIL**, and then touch **FIND SEND GATEWAYS**. The MFP searches the local network to try to determine the IP address for the SMTP server and the LDAP server. If the process is not successful, the IP addresses appear as all zeros on the control-panel display. If this happens, configure the IP addresses manually.

Manual e-mail configuration

Consult your system administrator to find the IP address for the SMTP server and the LDAP server. Then use this procedure to manually configure the IP addresses.

To configure the SMTP and LDAP gateway addresses

1. Touch **Menu**.
2. Touch **CONFIGURE DEVICE**.
3. Touch **SENDING**.
4. Touch **E-MAIL**.
5. Touch **SMTP GATEWAY**.
6. Type the SMTP gateway address. The gateway address consists of up to 12 digits that are arrayed as four groups of three digits (for instance, 123.123.123.123). Touch **OK**.
7. Scroll to and touch **LDAP GATEWAY**.
8. Type the LDAP gateway. After typing the SMTP and LDAP gateways, test the configuration by using the **TEST SEND GATEWAYS** self-test, and then send an e-mail to yourself.

To use the Test Send Gateways self-test procedure

1. Touch **Menu**.
2. Touch **CONFIGURE DEVICE**.
3. Touch **SENDING**.

4. Touch **E-MAIL**.
5. Touch **TEST SEND GATEWAYS**. If the configuration is correct, **GATEWAYS OK** appears on the control-panel display.

If the first test was successful, send an e-mail to yourself by using the digital-send feature. If you receive the e-mail, you have successfully configured the digital-sending feature.

If you do not receive the e-mail, use these actions to resolve issues with the digital-sending software:

- Check the SMTP and LDAP gateway addresses to make sure that you typed them correctly.
- Print a configuration page. Verify that the LDAP and SMTP gateway addresses are correct.
- Make sure that the network is operating correctly. Send an e-mail to yourself from a computer. If you receive the e-mail, the network is operating correctly. If you do not receive the e-mail, contact your network administrator or Internet service provider (ISP).
- Run the DISCOVER.EXE file. This program attempts to find the gateways. You can download the file from the HP Web site at <http://www.hp.com/support/clj4730mfp>.

To find gateways by using an e-mail program

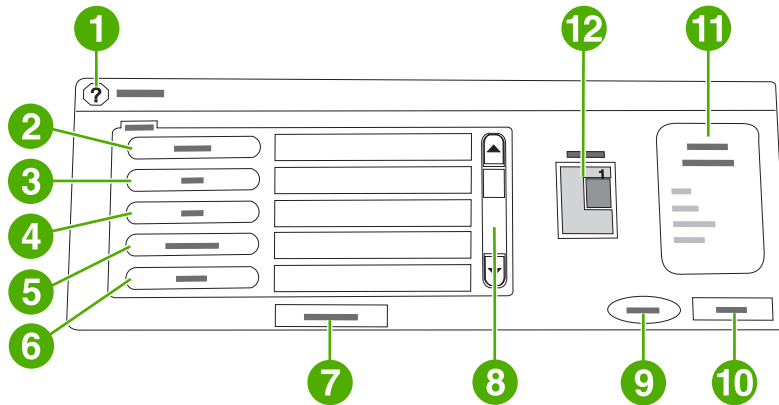
Because most e-mail programs also use SMTP to send e-mail and LDAP to address e-mail messages, you might be able to find the hostname of the SMTP gateway and LDAP server by looking at the settings for your e-mail program. In many cases, the SMTP and LDAP servers are contained under one hostname. After you have the hostname, you can find its IP address by using the following procedure.

1. At your computer, open the Command Prompt (also known as the MS-DOS prompt).
2. Type `nslookup` followed by a space and then the hostname.
3. Press **Enter**.

When you have found the IP address of the SMTP and LDAP servers, use them to manually configure digital sending. See [Manual e-mail configuration](#).

e-mail screen navigation

Use the touchscreen graphical display to navigate through the options on the e-mail screen.



1	Help button
2	From: field
3	To: field
4	CC: field
5	Subject: field
6	BCC: field
7	Clear All button
8	Scroll button
9	Start button
10	Back button
11	E-mail Settings area
12	Page preview image

Help button

For Help, touch the ? (Help) button, and then touch [What is This?](#) or [Show Me How](#). For more information, see [Help system](#).

From: field

Touch **From:** to type your e-mail address. The administrator can set up the From: field to contain an e-mail address that other users cannot change.

To:, CC:, and BCC: fields

Touch these buttons to set up e-mail recipients. To set up e-mail recipients, you can type e-mail addresses by using the touchscreen or by using the address book. For more information, see [Using the address book](#).

Clear All button

Touching the **Clear All** button clears all text and fields that you have typed.

User-attention error messages appear in a pop-up dialog box that prohibits normal screen interaction until the message is cleared.

e-mail basics

The MFP e-mail feature offers the following benefits:

- Sends documents to multiple e-mail addresses, saving time and delivery costs.
- Delivers files in black-and-white or in color. Files can be sent in different file formats that the recipient can manipulate.

With e-mail, documents are scanned into the MFP memory and sent to an e-mail address or multiple addresses as an e-mail attachment. Digital documents can be sent in several graphics formats, such as .TIF and .JPG, which allows recipients to manipulate the document file in various programs to meet their specific needs. Documents arrive in near-original quality, and then can be printed, stored, or forwarded.

In order to use the e-mail feature, the MFP needs to be connected to a valid SMTP local area network that includes Internet access.

Loading documents

You can scan a document by using either the glass or the automatic document feeder (ADF). The glass and ADF can accommodate Letter, Executive, A4, and A5 originals. The ADF can also accommodate legal-size originals. Smaller originals, receipts, irregular and worn documents, stapled documents, previously folded documents, and photographs should be scanned by using the glass. Multiple-page documents can be scanned easily by using the ADF.

Sending documents

The MFP scans both black-and-white and color originals. You can use default settings or change the scanning preferences and file formats. The following are the default settings:

- Color
- PDF (requires the recipient to have an Adobe Acrobat® viewer to view the e-mail attachment)

To send documents

1. Place the document face-down on the scanner glass or face-up in the ADF.
2. Touch **E-MAIL**.
3. If prompted, type your user name and password.
4. Complete the **From:**, **To:**, and **Subject:** fields. Complete the **CC:** and **BCC:** fields if appropriate. Your user name or other default information might appear in the **From:** field. If so, you might not be able to change it.
5. (Optional) Touch **E-mail Settings** and then touch **Describe Original** to change the default settings for the document that you are sending (for example, the document size). If you are sending a double-sided document, you must describe the original as a two-sided document.
6. (Optional) Touch **E-mail Settings** to change the default settings for the scanned document that you are creating (for example, to change the type of file format).
7. Press **Start** to begin sending.

8. The MFP prompts you to **CONTINUE** or to **Reset**.
 - **CONTINUE:** Retains all of the information that you just entered. You can easily send another e-mail or fax that uses these settings.
 - **Reset:** Clears all the settings that you just entered. However, pressing **Reset** does *not* cancel the e-mail or fax that you just sent.
9. When you are finished, remove the original document from the scanner glass or ADF.

Using the auto-complete function

When you type characters into the **To:**, **CC:**, or **From:** fields on the Send to e-mail screen, the auto-complete function is activated. As you type the required address or name by using the keyboard screen, the MFP automatically searches the address book list and completes the address or name by using the first match. You can then select that name by touching **Enter**, or continue typing the name until auto-complete finds the correct entry. If you type a character that does not match any entry in the list, the auto-complete text is removed from the display to indicate that you are typing an address that is not in the address book.

Using the address book


You can send e-mail to a list of recipients by using the address book feature of the MFP. See your system administrator for information about configuring address lists.



NOTE You can also use the embedded Web server to create and manage the e-mail address book. For more information, see [Using the embedded Web server](#).

Creating a recipient list

On the touchscreen of the graphical display, complete the following steps:

1. Touch **E-MAIL**.
2. Touch **To:** to open the keyboard screen.
3. Type the first letter of the recipient's name.
4. Touch  (address book icon) to open the address book.
5. Navigate the entries in the address book by using the scroll bar. Hold down the arrow to scroll quickly through the list.
6. Highlight the name to select a recipient, and then touch **Add >>**.

You can also select a distribution list by touching **All**, or add a recipient from a local list by touching the **Local** button. Highlight the appropriate names, and then touch **Add >>** to add the name to your list of recipients.

You can remove a recipient from your list by scrolling to highlight the recipient, and then touching **Remove**.

7. The names in the recipient list are placed in the text line of the keyboard screen. If you want, you can add a recipient that is not found in the address book by typing the e-mail address on the keyboard. After you are satisfied with your recipient list, touch **OK**.
8. Touch **OK** on the keyboard screen.
9. Finish typing information in the **CC:** and **Subject:** fields on the Send to e-mail screen, if necessary. You can check the list of recipients by touching the down arrow in the **To:** text line.
10. Press **Start**.

Using the local address book

Use the local address book to store frequently-used e-mail addresses. The local address book can be shared between MFPs that use the same server to gain access to the HP Digital Sending software.

You can use the address book when you type e-mail addresses in the **From:**, **To:**, **CC:**, or **BCC:** fields. You can also add or delete addresses in the address book.

To open the address book, touch the address book button on the keyboard screen. When you touch **Local**, the **Edit** button appears. Touch this button to add or delete items from the address book.

To add e-mail addresses to the local address book

1. Touch **Local**.
2. Touch **Edit**.
3. Touch **Address Book — Add >>**.
4. In the **Address** field, type the e-mail address for the new entry (required).
5. In the **Name** field, type a name for the new entry (optional). The Name is the alias for the e-mail address. If you do not type an alias name, the alias will be the e-mail address itself.
6. Do one of the following:
 - To add the e-mail address to the local address book without closing the **Add >>** screen, touch **Save**.
 - To return to the **Edit** screen without saving the e-mail address, touch **Cancel**.
 - To save the e-mail address and return to the **Edit** screen, touch **OK**.

After you add an address, the following confirmation message appears: **Address Stored Successfully**. The e-mail address is added to the public address book. All users will have access to this address.

To delete e-mail addresses from the local address book

You can delete e-mail addresses that you no longer use.



NOTE To *change* an e-mail address, you must first delete the address and then add the corrected address as a new address in the local address book.

1. Touch **Local**.
2. Touch **Edit**.
3. Touch **DELETE** to see a list of e-mail addresses that you can delete from the local address book. If no addresses are available to delete, the list appears blank.
4. Touch the check box for each e-mail address that you want to delete, and then touch **OK**.

The following confirmation message appears: **Do you want to delete the selected email addresses?**

5. Touch **YES** to delete the e-mail address(es) or touch **NO** to return to the **DELETE** screen.
6. To return to the **Edit** screen, touch **OK**.

Additional e-mail features

If you install the optional HP Digital Sending Software (HP DSS), additional e-mail features become available.

Secondary e-mail

If the system administrator has made the feature available, a **SECONDARY EMAIL** option might appear on the control-panel display. Secondary e-mail is designed for solutions that require an extra measure of data security. It differs from the regular e-mail feature in that the data between the device and the HP DSS server is encrypted. An rfc822-compliant e-mail message, which has the scanned data as an attachment, is created in the \HPEMAIL2 folder in the DSS program directory. The third-party software program, which is monitoring this folder, processes the e-mail message and sends it out in a secure format.

See the information that came with the HP DSS software for more information about configuring the Secondary e-mail feature. The process for sending an e-mail message by using the Secondary e-mail option is exactly the same as it is for normal e-mail.

Send to folder

If the system administrator has made the feature available, the MFP can scan a file and send it to a folder on the network. Supported operating systems for folder destinations include Windows 98, Windows 2000, Windows XP, and Windows Server 2003, and Novell.



NOTE Authentication might be required in order to use this option, or to send to certain folders. See your system administrator for more information.

See the information that came with the HP DSS software for more information about using the Send to Folder feature.

Send to workflow

If the system administrator has enabled the workflow functionality, you can scan a document and send it to a custom workflow destination. A workflow destination gives you the ability to send additional information, along with the scanned document, to a specified network or file transfer protocol (FTP) location. Prompts for specific information appear on the control-panel display. A third-party software program that monitors the network folder or FTP site can then retrieve and decipher the information, and perform the specified operation on the scanned image. The system administrator can also designate a MFP as a workflow destination, which allows you to scan a document and then send it directly to a network MFP for printing.

See the information that came with the HP DSS software for more information about using the Send to Workflow feature.

7 Faxing

The HP Color LaserJet 4730x mfp, HP Color LaserJet 4730xs mfp, and HP Color LaserJet 4730xm mfp models come with an Analog Fax Accessory already installed. Windows users can also install the optional HP Digital Sending Software (DSS), which provides digital faxing services.

For complete instructions for configuring the fax accessory and for using the fax features, see the *HP LaserJet Analog Fax Accessory 300 User Guide*. A printed copy of this guide is included with the HP Color LaserJet 4730x mfp, HP Color LaserJet 4730xs mfp, and HP Color LaserJet 4730xm mfp.

This chapter provides information about the following topics.

- [Analog faxing](#)
- [Digital faxing](#)

Analog faxing

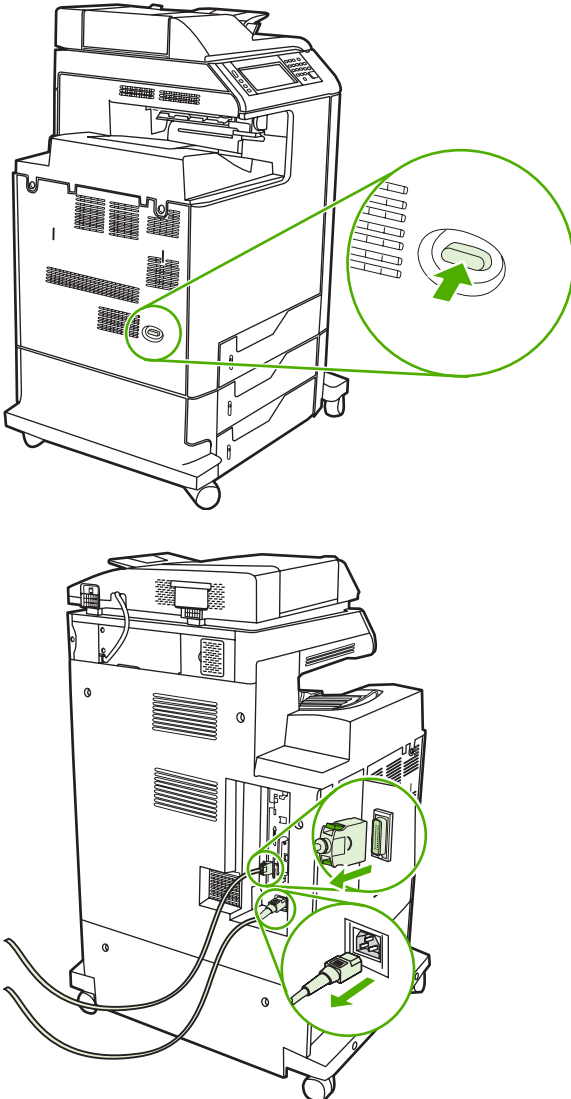
When the analog fax accessory is installed, the MFP can function as a standalone fax machine.

The HP Color LaserJet 4730x mfp, HP Color LaserJet 4730xs mfp, and HP Color LaserJet 4730xm mfp models come with a fax accessory already installed. For the HP Color LaserJet 4730mfp (base model), you can order this accessory as an option. See [Part numbers](#) for information about ordering the analog fax accessory.

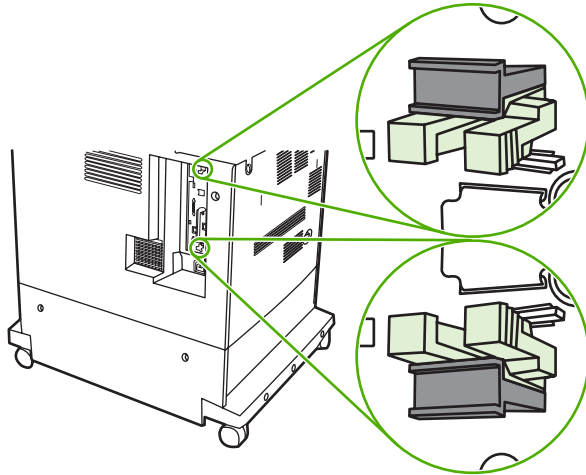
Installing the fax accessory

Use this procedure to install the analog fax accessory if it is not already installed.

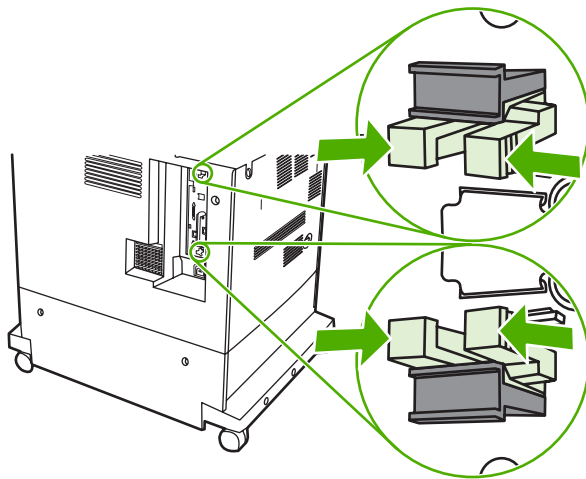
1. Turn off the MFP, and disconnect all the cables.



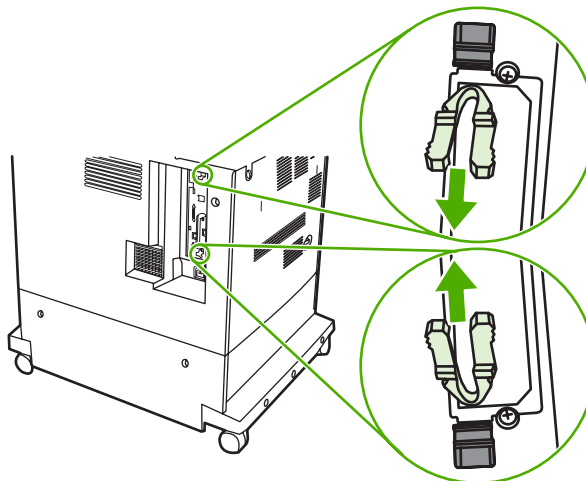
2. Locate the formatter board in the back of the MFP.



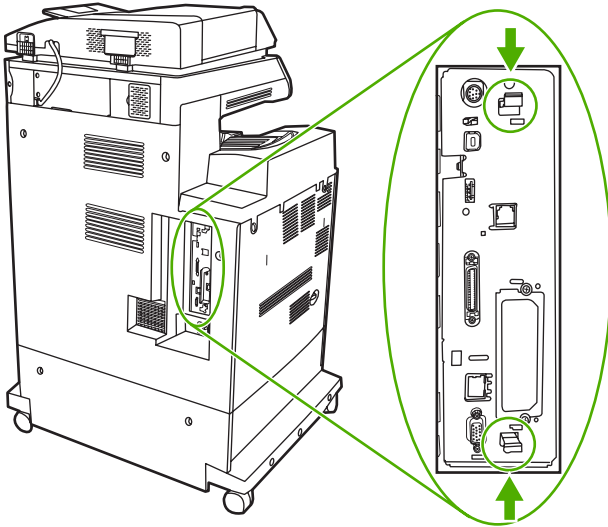
3. Locate the gray formatter pressure release tabs on the formatter board in the rear of the MFP.



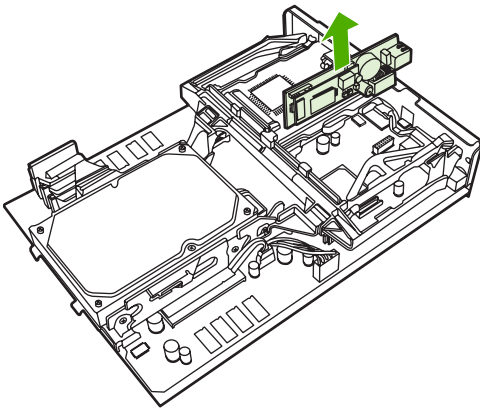
4. Gently squeeze the tabs and pull them out of the formatter.



5. Gently pull on the black tabs at the top and bottom of the formatter board to pull the board from the MFP. Place the formatter board on a clean, flat, grounded surface.



6. If you are replacing an existing fax accessory, pull up to remove it.

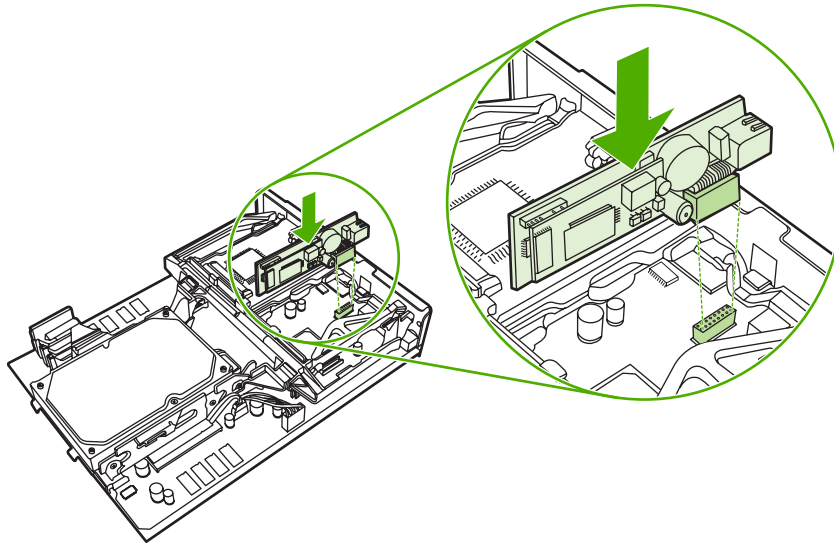


7. Remove the fax accessory from its antistatic pouch.

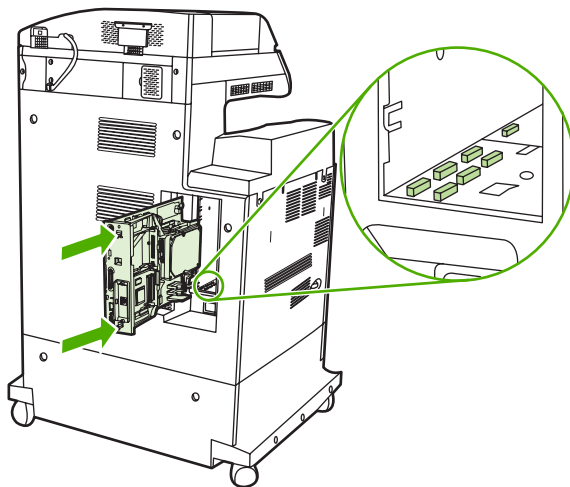


CAUTION The fax accessory contains parts that are sensitive to electrostatic discharge (ESD). When removing the fax accessory from its antistatic pouch and while installing it, use static protection, such as a grounding wrist strap that is connected to the metal frame of the MFP, or touch the metal frame of the MFP with your other hand.

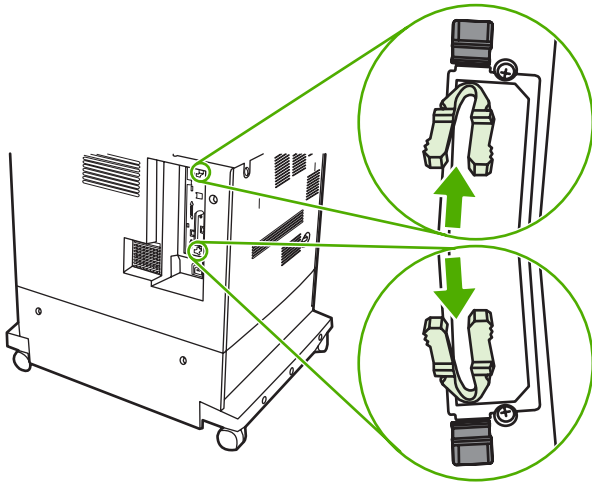
8. Push the fax accessory into place, and make sure that the fax accessory is securely connected to the formatter.



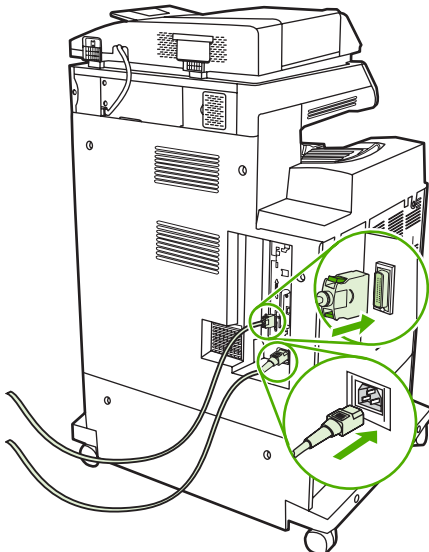
9. Align the formatter board in the tracks at the top and bottom, and slide the board back into the MFP.



10. Reinsert the formatter pressure release tabs by squeezing them together and pushing them into place.



11. Reconnect all the cables, and turn on the MFP.



Connecting the fax accessory to a phone line

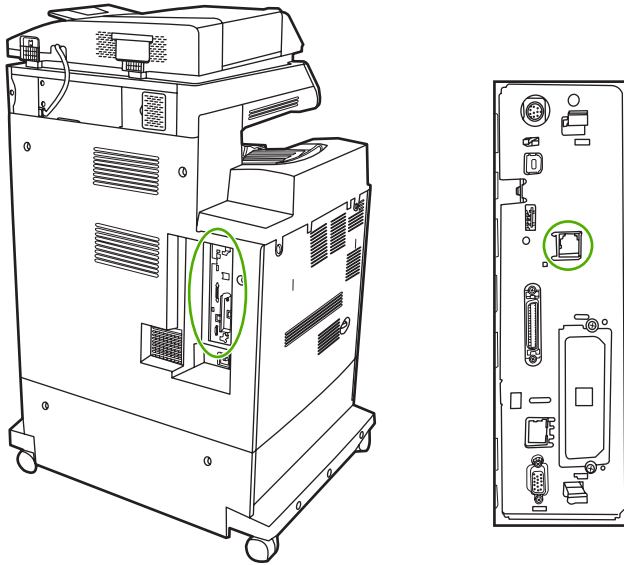
When connecting the fax accessory to a phone line, ensure that the phone line being used for the fax accessory is a dedicated line that is not used by any other devices. Also, this line should be an analog line because the fax will not function correctly if it is connected to some digital PBX systems. If you are not sure whether you have an analog or digital phone line, contact your telecom provider.



NOTE HP recommends using the phone cord that comes with the fax accessory to ensure that the accessory functions correctly.

Follow these instructions to connect the fax accessory to a phone jack.

1. Locate the phone cord that is included with the fax accessory kit. Connect one end of the phone cord into the fax accessory phone jack that is on the formatter. Push the connector until it clicks.



CAUTION Be sure to connect the phone line to the fax accessory port, which is located in the center of the formatter. Do not connect the phone line to the HP Jetdirect port, which is nearer the bottom of the formatter.

2. Connect the other end of the phone cord into the phone jack on the wall. Push the connector until it clicks.

Configuring and using the fax features

Before you can use the fax features, you must configure them in the control-panel menus. For complete information about configuring and using the fax accessory and for information about troubleshooting problems with the fax accessory, see the *HP LaserJet Analog Fax Accessory 300 User Guide* provided with the fax accessory.

Digital faxing

Digital faxing is available when you install the optional HP Digital Sending Software. For information about ordering this software, go to <http://www.hp.com/go/digitalsending>.

With digital faxing, the MFP does *not* need to be connected directly to a phone line. Instead, the MFP can send a fax in one of three ways:

- **LAN fax** sends faxes through a third-party fax provider.
- **Microsoft Windows 2000 fax** is a fax modem and Digital Sender Module on a computer that allows the computer to operate as a turnkey gateway fax.
- **Internet fax** uses an Internet fax provider to process faxes, and the fax is delivered on a traditional fax machine or sent to the user's e-mail.

For complete information about using digital faxing, see the documentation that is provided with the HP Digital Sending Software.

8 Color

This chapter describes how the HP Color LaserJet 4730mfp series provides great color printing. This chapter also describes ways to produce the best possible color prints. The following topics are covered:

- [Using color](#)
- [Color matching](#)
- [Managing printer color options on Windows computers](#)
- [Restricting color printing](#)
- [Managing printer color options on Macintosh computers](#)

Using color

The HP Color LaserJet 4730mfp series offers great color printing as soon as you set up the MFP. It provides a combination of automatic color features to generate excellent color results for the general office user, plus sophisticated tools for the professional who is experienced with color use.

The HP Color LaserJet 4730mfp series provides carefully designed and tested color tables to provide a smooth, accurate color rendition of all printable colors.

HP ImageREt 3600

HP ImageREt 3600 print technology is a system of innovative technologies developed exclusively by HP to deliver superior print quality. The HP ImageREt system sets itself apart from the industry by integrating technology advancements and optimizing each element of the print system. Several categories of HP ImageREt have been developed for a variety of user needs.

The system's foundation is composed of key color laser technologies, including image enhancements, smart supplies, and high-resolution imaging. As the level or category of ImageREt increases, these core technologies are refined for more advanced system usage, and additional technologies are integrated. HP offers superior image enhancements for general office documents and marketing collateral. Optimized for printing on HP color laser high-gloss papers, HP Image REt 3600 provides superior results on all supported media, and under a variety of environmental conditions.

Color lockout

The color lockout feature provides the system administrator with an effective method for limiting the number of color copies printed by walk-up users. When this feature is enabled, the **Color Copies** button is grayed-out, and the option to choose color copies is not available on the copy screen. When this option is selected, all copies automatically print in black and white.

The feature is controlled by a password set by the system administrator. The administrator can enable or disable the feature at the MFP control panel by setting a lock in the Color Copy option in the **System Setup** menu. The color lockout feature can also be enabled or disabled through the embedded Web server or WebJetadmin.



NOTE If the color copy lockout feature is enabled at the control panel, the change takes effect immediately. If the feature is enabled or disabled through the embedded Web server or WebJetadmin, it does not take effect until the administrator presses the **Reset** key or the MFP enters sleep mode.

Enabling color copy lockout at the control panel

This procedure describes how to enable the color copy lockout feature and disable the **Color Copies** button on the Copy screen.

1. Press **Menu** to enter the **MENUS**.
2. Touch **CONFIGURE DEVICE**.
3. Touch **SYSTEM SETUP**.
4. Touch **COPY/SEND SETTINGS**.
5. Touch **COLOR COPY OPTION**.
6. Touch **ENABLE**.

Disabling color copy lockout at the control panel

This procedure describes how to disable the color copy lockout feature and restore the **Color Copies** button on the Copy screen.

1. Press **Menu** to enter the **MENUS**.
2. Touch **CONFIGURE DEVICE**.
3. Touch **SYSTEM SETUP**.
4. Touch **COPY/SEND SETTINGS**.
5. Touch **COLOR COPY OPTION**.
6. Touch **DISABLE**.

Paper selection

For the best color and image quality, it is important to select the appropriate media type from the MFP menu or from the front panel. See [Selecting print media](#).

Color options

Color options enable optimal color output automatically for diverse types of documents.

Color options use object tagging, which allows optimal color and halftone settings to be used for different objects (text, graphics, and photos) on a page. The printer driver determines which objects are used on a page and uses halftone and color settings that provide the best print quality for each object. Object tagging, combined with optimized default settings, produces great color out of the box.

In the Windows environment, the **Automatic** and **Manual** color options are on the **Color** tab in the printer driver.

For more information, see [Printer drivers](#) or [Printer drivers for Macintosh computers](#).

sRGB

Standard red-green-blue (sRGB) is a world-wide color standard originally developed by HP and Microsoft as a common color language for monitors, input devices (scanners, digital cameras), and output devices (MFPs, printers, plotters). It is the default color space used for HP products, Microsoft operating systems, the Web, and most office software sold today. sRGB is representative of the typical Windows computer monitor today and the convergence standard for high-definition television.



NOTE Factors such as the type of monitor you use and the room's lighting can affect the appearance of colors on your screen. For more information, see [Color matching](#).

The latest versions of Adobe PhotoShop, CorelDRAW™, Microsoft Office, and many other applications use sRGB to communicate color. Most importantly, as the default color space in Microsoft operating systems, sRGB has gained broad adoption as a means to exchange color information between applications and devices using a common definition that assures typical users will experience greatly improved color matching. sRGB improves your ability to match colors between the MFP, the computer monitor and other input devices (scanner, digital camera) automatically, without the need to become a color expert.

Printing in four colors — CMYK

Cyan, magenta, yellow, and black (CMYK) are the inks used by a printing press. The process is often called four-color printing. CMYK data files are typically used by and originate from graphic arts (printing and publishing) environments. The MFP will accept CMYK colors through the PS printer driver. The MFP color-rendering of CMYK is designed to provide rich, saturated colors for text and graphics.

CMYK ink set emulation (PostScript only)

The MFP color rendering of CMYK can be made to emulate several standard offset press ink sets. In some situations, the CMYK color values in an image or document might not be suited to the MFP. For example, a document might be optimized for another printer. For best results, the CMYK values should be adapted to the HP Color LaserJet 4730mfp. Select the appropriate color input profile from the printer driver.

- **Default CMYK+.** HP CMYK+ technology produces optimal printing results for most printing jobs.
- **Specification for Web Offset Publications (SWOP).** Common ink standard in the United States and other countries/regions.
- **Euroscale.** Common ink standard in Europe and other countries/regions.
- **Dainippon Ink and Chemical (DIC).** Common ink standard in Japan and other countries/regions.
- **Custom profile.** Select this option to use a custom input profile to accurately control color output, for example, to emulate another HP color LaserJet printer. Color profiles can be downloaded from <http://www.hp.com>.

Color matching

The process of matching MFP output color to your computer screen is quite complex because printers and computer monitors use different methods of producing color. Monitors *display* colors by light pixels using an RGB (red, green, blue) color process, but printers *print* colors using a CMYK (cyan, magenta, yellow, and black) process.

Several factors can influence your ability to match printed colors to those on your monitor. These factors include:

- Print media
- Printer colorants (inks or toners for example)
- Printing process (inkjet, press, or laser technology for example)
- Overhead lighting
- Personal differences in perception of color
- Software applications
- Printer drivers
- Computer operating system
- Monitors
- Video cards and drivers
- Operating environment (humidity for example)

Keep the above factors in mind when colors on your screen do not perfectly match your printed colors.

For most users, the best method for matching colors on your screen to your MFP is to print sRGB colors.

PANTONE® color matching

PANTONE® has multiple color matching systems. PANTONE® Matching System is very popular and uses solid inks to generate a wide range of color hues and tints. See <http://www.hp.com/support/clj4730mfp> for details on how to use PANTONE® Matching System with this MFP.



NOTE PANTONE® Colors generated may not match PANTONE-identified standards. Consult current PANTONE Publications for accurate color. PANTONE® and other Pantone, Inc. trademarks are the property of Pantone, Inc. © Pantone, Inc., 2000.

Sample book color matching

The process for matching MFP output to preprinted sample books and standard color references is complex. In general, you can obtain a reasonably good match to a sample book if the inks used to create the sample book are cyan, magenta, yellow, and black. These are usually referred to as process color sample books.

Some sample books are created from spot colors. Spot colors are specially created colorants. Many of these spot colors are outside of the range of the MFP. Most spot color sample books have companion process sample books that provide CMYK approximations to the spot color.

Most process sample books will state which process standards were used to print the sample book. In most cases they will be SWOP, EURO, or DIC. To get optimal color matching to the process sample book, select the corresponding ink emulation from the MFP menu. If you cannot identify the process standard, use SWOP ink emulation.

Printing color samples

To use the color samples, select the color sample that is the closest match to the desired color. Use the sample's color value in your application to describe the object you wish to match. Colors may vary depending on paper type and the software application used. For more details on how to use the color samples, go to <http://www.hp.com/support/clj4730mfp>.

Use the following procedure to print color samples at the MFP using the control panel:

1. Press **Menu** to enter the **MENUS**.
2. Touch **INFORMATION**.
3. Touch **PRINT CMYK SAMPLES** or **PRINT RGB SAMPLES**. The pages will print.

Managing printer color options on Windows computers

Setting color options to Automatic typically produces the best possible print quality for the most common printing requirements. However, for some documents, setting the color options manually can enhance the way the document appears. Examples of these documents include marketing brochures that contain many images or documents that are printed on a media type that is not listed in the printer driver.

For Windows, you can print in grayscale or change the color options by using settings found on the **Color** tab in the printer driver.

For more information about how to access the printer drivers, see [Gaining access to the printer drivers](#).

Print in grayscale

Select the **Print in Grayscale** option from the printer driver to print a document in black and white.

RGB Color (Color Themes)

Five values are available for the **RGB Color** setting:

- Select **Default (sRGB)** for most printing needs. This setting instructs the printer to interpret RGB color as sRGB, which is the accepted standard of Microsoft and the World Wide Web Organization (www).
- Select **Image optimization (sRGB)** to enhance documents in which the content is mainly bitmap images, such as .GIF or .JPEG files. This setting instructs the printer to use the best color matching for rendering sRGB, bitmap images. This setting has no effect on text or vector-based graphics. Using glossy media in combination with this setting provides the maximum enhancement.
- Select **AdobeRGB** for documents that use the *AdobeRGB* color space rather than sRGB. For example, some digital cameras capture images in AdobeRGB, and documents that are produced with Adobe PhotoShop use the AdobeRGB color space. When printing from a professional software program that uses AdobeRGB, it is important that you turn off the color management in the software program and allow the printer software to manage the color space.
- Select **None** to instruct the printer to print RGB data in raw device mode. To render documents properly when this option is selected, you must manage color in the program in which you are working or in the operating system.



CAUTION Use this option only if you are familiar with the procedures for managing color in the software program or in the operating system.

- Select **Custom Profile** when you want to duplicate the printed output from other printers or for using special effects, such as sepia tones. This setting instructs the printer to use a custom input profile to more accurately predict and control color output. You can download custom profiles from www.hp.com.

Automatic or manual color adjustment

The **Automatic** color adjustment option optimizes the neutral gray color treatment, halftones, and edge enhancements that are used for each element in a document. For more information, see [Printer drivers](#) or [Printer drivers for Macintosh computers](#).



NOTE Automatic is the default setting and is recommended for printing most color documents.

The **Manual** color adjustment option allows you to adjust the neutral gray color treatment, halftones, and edge enhancements for text, graphics, and photographs. To access the Manual color options, from the **Color** tab, select **Manual**, then **Settings**.

Manual color options

You can manually adjust color options for Edge Control, Halftones, and Neutral Grays.

Edge Control

The **Edge Control** setting determines how edges are rendered. Edge control has three components: adaptive halftoning, REt, and trapping. Adaptive halftoning increases the edge sharpness. Trapping reduces the effect of incorrect color alignment by slightly overlapping the edges of adjacent objects. The color REt option smoothes the edges.



NOTE If you notice white gaps between objects, or if you notice areas that have a slight shadow of cyan, magenta, or yellow at the edge, choose an edge-control setting that increases the trapping level.

Four levels of edge control are available:

- **Maximum** is the most aggressive trapping setting. Adaptive halftoning and color REt settings are on.
- **Normal** is the default trapping setting. Trapping is at a medium level. Adaptive halftoning and color REt settings are on.
- **Light** sets trapping at a minimal level. Adaptive halftoning and color REt settings are on.
- **Off** turns off trapping, adaptive halftoning, and color REt.

Halftone options

Halftone options affect the resolution and clarity of your color output. You can select halftone settings for text, graphics, and photographs independently. The two halftone options are **Smooth** and **Detail**.

- The **Smooth** option provides better results for large, solid-filled print areas. It also enhances photographs by smoothing out fine color gradations. Choose this option when uniform and smooth area fills are top priority.
- The **Detail** option is useful for text and graphics that require sharp distinctions among lines or colors, or for images that contain a pattern or a high level of detail. Choose this option when sharp edges and details are top priority.



NOTE Some applications convert text or graphics to bitmap images. In these cases, setting the color options for **Photographs** also affects how text and graphics appear.

Neutral Grays

The **Neutral Grays** setting determines the method used for creating gray colors that are used in text, graphics, and photographs.

Two values are available for the **Neutral Grays** setting:

- **Black Only** generates neutral colors (grays and black) using only black toner. This guarantees neutral colors without a color cast.
- **4-Color** generates neutral colors (grays and black) by combining all four toner colors. This method produces smoother gradients and transitions to non-neutral colors, and it produces the darkest black.



NOTE Some applications convert text or graphics to raster images. In these cases, setting the color options for **Photographs** also affects how text and graphics appear.

Restricting color printing

The HP Color LaserJet 4730mfp includes a **RESTRICT COLOR USE** setting for networked printers. A network administrator can use the setting to restrict user access to the color printing features in order to conserve color toner. If you are unable to print in color, see your network administrator.

For more information on restricting color printing, visit the Web site at <http://www.hp.com/go/coloraccess>.

1. Press **Menu** to enter the menus.
2. Scroll to and touch **PRINT QUALITY**.
3. Scroll to and touch **SYSTEM SETUP**.
4. Scroll to and touch **RESTRICT COLOR USE**.
5. Scroll to and select one of the following options:
 - **DISABLE COLOR**: This setting denies the printer color capabilities to all users.
 - **ENABLE COLOR**: This is the default setting, which allows all users to use the printer color capabilities.
 - **COLOR IF ALLOWED**: This setting allows the network administrator to allow color use for select users. Use the embedded Web server to designate users who can print in color.
6. Touch **OK**.

The network administrator can monitor color usage for a specific HP Color LaserJet 4730mfp by printing a color usage job log.

Managing printer color options on Macintosh computers

Setting the color options to Automatic typically produces the best possible print quality for the most common printing requirements. However, for some documents, setting the color options manually can enhance the way the document appears. Examples of these documents include marketing brochures that contain many images or documents that are printed on a media type that is not listed in the printer driver.

Print color as gray or change the color options by using the **Color Options** pop-up menu in the **Print** dialog box.

For more information about how to gain access to the printer drivers, see [Gaining access to the printer drivers](#).

Print Color as Gray

Selecting the **Print Color as Gray** option from the printer driver prints a document in black and shades of gray. This option is useful for previewing preliminary copies of slides and hardcopy output, or for printing color documents that will be photocopied or faxed.

Advanced color options for text, graphics, and photographs

Use manual color adjustment to adjust the **Color** (or **Color Map**) and **Halftoning** options for a print job.

Halftone options

Halftone options affect the resolution and clarity of your color output. You can select halftone settings independently for text, graphics, and photographs. The two halftone options are **Smooth** and **Detail**.

- The **Smooth** option provides better results for large, solid-filled print areas. It also enhances photographs by smoothing out fine color gradations. Select this option when uniform and smooth area fills are the top priority.
- The **Detail** option is useful for text and graphics that require sharp distinctions among lines or colors, or for images that contain a pattern or a high level of detail. Select this option when sharp edges and details are the top priority.



NOTE Some software programs convert text or graphics to raster images. In these cases, the **Photographs** settings also control text and graphics.

Neutral Grays

The **Neutral Grays** setting determines the method that the printer uses to create gray colors in text, graphics, and photographs.

Two values are available for the **Neutral Grays** setting:

- **Black Only** generates neutral colors (grays and black) by using only black toner. This guarantees neutral colors that do not have a color cast.
- **4-Color** generates neutral colors (grays and black) by combining all four toner colors. This method produces smoother gradients and transitions to non-neutral colors, and it produces the darkest black.



NOTE Some software programs convert text or graphics to raster images. In these cases, the **Photographs** settings also control text and graphics.

RGB Color

Five values are available for the **RGB Color** setting:

- Select **Default (sRGB)** for most printing needs. This setting instructs the printer to interpret RGB color as sRGB, which is the accepted standard of Microsoft and the World Wide Web Organization (www).
- Select **Image optimization (sRGB)** to enhance documents in which the content is mainly bitmap images, such as .GIF or .JPEG files. This setting instructs the printer to use the best color matching for rendering sRGB, bitmap images. This setting has no effect on text or vector-based graphics. Using glossy media in combination with this setting provides the maximum enhancement.
- Select **AdobeRGB** for documents that use the AdobeRGB color space rather than sRGB. For example, some digital cameras capture images in AdobeRGB, and documents that are produced with Adobe PhotoShop use the AdobeRGB color space. When printing from a professional software program that uses AdobeRGB, it is important that you turn off the color management in the software program and allow the printer software to manage the color space.
- Select **None** to instruct the printer to print RGB data in raw device mode. To render documents properly when this option is selected, you must manage color in the program that you are using or in the operating system.



CAUTION Use this option only if you are familiar with the procedures for managing color in the software program or in the operating system.

- Select **Custom Profile** when you want to duplicate the printed output from other printers or for using special effects, such as sepia tones. This setting instructs the printer to use a custom input profile to more accurately predict and control color output. You can download custom profiles from <http://www.hp.com>.

Edge Control

The **Edge Control** setting determines how edges are rendered. Edge control has three components: adaptive halftoning, Resolution Enhancement Technology (REt), and trapping. Adaptive halftoning increases the edge sharpness. Trapping reduces the effect of incorrect color alignment by slightly overlapping the edges of adjacent objects. The color REt option smooths the edges.



NOTE If you notice white gaps between objects, or if you notice areas that have a slight shadow of cyan, magenta, or yellow at the edge, choose an edge-control setting that increases the trapping level.

Four levels of edge control are available:

- **Maximum** is the most aggressive trapping setting. Adaptive halftoning and color REt settings are on.
- **Normal** is the default trapping setting. Trapping is at a medium level. Adaptive halftoning and color REt settings are on.
- **Light** sets trapping at a minimal level. Adaptive halftoning and color REt settings are on.
- **Off** turns off trapping, adaptive halftoning, and color REt.

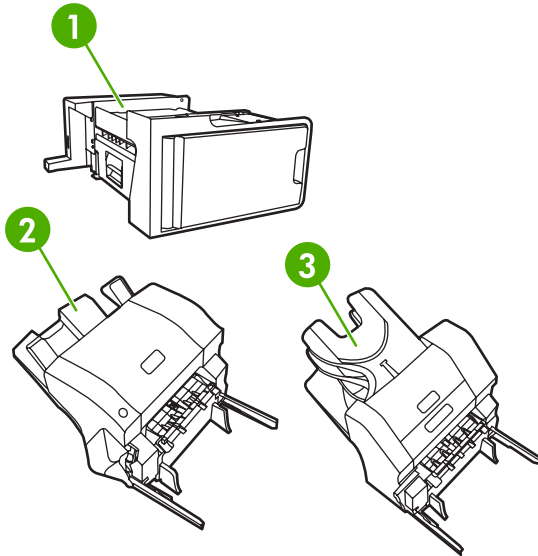
9 Optional output devices

This chapter includes information about using and troubleshooting the following output and input devices:

- [Output accessory bridge](#)
- [3-bin mailbox](#)
- [Stapler/stacker accessory](#)
- [Troubleshooting the output accessories](#)

Output accessory bridge

The output accessory bridge is required if a 3-bin mailbox or a stapler/stacker is installed on the MFP. The output accessory bridge is a pathway between the MFP and the output device. For more information about installing the output accessory bridge, see the Installation Guide. For information about clearing paper jams in the output accessory bridge, see [Clearing jams](#).



-
- 1 Output accessory bridge

 - 2 Stapler/stacker

 - 3 3-bin mailbox

3-bin mailbox

The optional 3-bin mailbox has one bin that stacks up to 500 sheets and two bins that stack up to 100 sheets each, for a total capacity of 700 sheets.

The 3-bin mailbox has three operating modes: mailbox mode, stacker mode, and function separator mode. Each mode is explained in the sections that follow.

Mailbox mode

The bins can be assigned to a user or to a group of users. All print, copy, and fax jobs that an assigned user or group of users sends are delivered to the designated bin. Each user can select the bin in the printer driver or at the control panel.

When the designated bin is full, the MFP stops printing. Printing continues only when you empty the bin.

Stacker mode

The 3-bin mailbox can combine the bins to act as a stacker. It can stack up to 700 sheets of 75 g/m² (20 lb bond) paper. Jobs are sent to the bottom bin first, then to the middle bin, and then to the top bin. Print jobs that require more than 500 sheets fill the bottom bin and continue stacking into the middle and top bins.

When all three bins are full, the MFP stops printing. Printing continues only when you remove paper from the top bin. The MFP does not resume printing if you remove paper from the bottom bin or the middle bin before you remove paper from the top bin.



NOTE Do not remove paper from the top bin and then attempt to put it in place again. This causes the pages to stack in the incorrect order.

When the 3-bin mailbox is in stacker mode, you cannot designate that a job be sent to a particular bin.

Function-separator mode

You can configure the bins to receive jobs that come from a specific MFP function, such as printed jobs, copy jobs, or faxes. For instance, you can specify that all copy jobs are sent to the top bin.

The MFP stops functioning when the designated bin is full. Printing, copying, or faxing can continue only when you empty the bin.

Configuring the printer driver to recognize the 3-bin mailbox/stapler/stacker

This section contains information about configuring the printer driver for the 3-bin mailbox and the stapler/stacker.

Windows

1. Open the **Printers** folder.
2. Select **HP Color LaserJet 4730mfp**.
3. On the **File** menu, click on **Properties**.

4. Select the **Device Settings** tab.
5. Use either of the following methods to select the stapler/stacker.
 - Scroll down to **Automatic Configuration**, select **Update Now**, and click **Apply**.
 - Scroll down to **Accessory Output Bin**, select **HP 500 sheet stapler/stacker** or **HP 700 Sheet 3-bin Mailbox**, and click **Apply**.

Macintosh

1. Open the **Printer Center** utility.
2. Select **HP Color LaserJet 4730**.
3. On the **File** menu, click on **Show Info (command, i)**.
4. Select the **Installable Options** tab.
5. Scroll to **Accessory Output Bins** and select **HP 500 sheet stapler/stacker** or **HP 700 Sheet 3-bin Mailbox**.
6. Click on **Apply Changes**.

To select the operating mode at the control panel

1. Press **Menu**.
2. Scroll to and touch **CONFIGURE DEVICE**.
3. Scroll to and touch **MBM-3 CONFIGURATION**.
4. Touch **OPERATION MODE**. Select the operation mode that you want to use.
5. Touch **OK**.

To configure a destination bin at the control panel (Mailbox and Function-separator modes)

1. Touch **Menu**.
2. Scroll to and touch **CONFIGURE DEVICE**.
3. Touch **PRINTING, COPYING, or FAX**.
4. Touch **PAPER DESTINATION**. Select the output bin that you want to use.
5. Touch **OK**.

To select the operating mode in the printer driver (Windows 2000 and Windows XP)

1. Click the **Start** button, point to **Settings**, and then click **Printers** (for Windows 2000) or **Printers and Faxes** (for Windows XP).
2. Right-click the HP product icon, and then click **Properties** or **Printing Preferences**.
3. Click the **Device Settings** tab.
4. Perform one of the following actions:

For automatic configuration, under **Installable Options**, click **Update Now** in the **Automatic Configuration** list.

-or-

For manual configuration, under **Installable Options**, select the appropriate operation mode in the **Accessory Output Bin** list.

5. Click **OK** to save the settings.

Windows 98, Windows Me, and Windows NT 4.0

1. Click the **Start** button, point to **Settings**, and then click **Printers**.
2. Right-click the HP product icon, and then click **Properties** (for Windows 98 and Windows Me) or **Document Defaults** (for Windows NT 4.0).
3. Perform one of the following actions:

If you are using a Printer Control Language (PCL) printer driver: For automatic configuration, click the **Configure** tab, and then click **Update Now**. For manual configuration, select the appropriate operation mode in the **Optional Paper Destinations** list.

-or-

If you are using a PostScript (PS) printer driver: Click the **Device Options** tab (for Windows 98 and Windows Me) or the **Device Settings** tab (for Windows NT 4.0). Under **Installable Options**, select the appropriate operation mode in the **Accessory Output Bin** list.

4. Click **OK** to save the settings.

Mac OS X

1. In the **Apple** menu, click **System Preferences**.
2. In the **System Preferences** box, click **Print and Fax**.
3. Click **Set Up Printers**. A **Printer List** displays.
4. Select the HP product, and then click **Show Info** on the **Printers** menu.
5. Select the **Installable Options** panel.
6. In the **Accessory Output Bins** list, select **HP 3-Bin Mailbox**.
7. In the **Mailbox Mode** list, select the appropriate operational mode, and then click **Apply Changes**.

Stapler/stacker accessory

The optional stapler/stacker can staple jobs of up to 30 sheets of 75 g/m² (20 lb) paper. The stapler can staple these sizes: A4, Letter, Legal, Executive (JIS), and 8.5 x 13. It can stack up to 500 sheets of paper.

- Paper weight can range from 60 to 120 g/m² (16 to 32 lb). Heavier paper, such as cardstock and gloss, might have a stapling limit of 20 sheets.



NOTE The optional stapler/stacker accessory cannot staple tough paper.

- If the job consists of only one sheet, or if it consists of more than 30 sheets, the MFP delivers the job to the bin, but the MFP does not staple the job.
- The stapler supports paper only. Do not try to staple other types of print media, such as envelopes, transparencies, or labels.

When you want the MFP to staple a document, select stapling in the software. You can usually select the stapler in your program or printer driver, although some options might be available only in the printer driver. Where and how you make selections depends on your program or printer driver.

If you cannot select the stapler in the program or printer driver, select the stapler at the MFP control panel.

The stapler accepts print jobs if it is out of staples, but it does not staple the pages. The printer driver can be configured to disable the staple option if the staple cartridge is empty.

To configure the printer driver to recognize the optional stapler/stacker

You need to configure the printer driver to recognize the optional stapler/stacker. You need to set this setting only once. The procedure to configure the driver to recognize the accessory depends on the operating system you are using.

Windows

1. Open the **Printers** folder.
2. Select **HP Color LaserJet 4730mfp**.
3. On the **File** menu, click **Properties**.
4. Select the **Device Settings** tab.
5. Use either of the following methods to select the stapler/stacker:

Scroll to **Automatic Configuration**, select **Update Now**, and then click **Apply**.

-or-

Scroll to **Accessory Output Bin**, select **HP 500 sheet stapler/stacker** or **HP 700 sheet 3-bin Mailbox**, and click **Apply**.

Macintosh

1. Open the **Printer Center** utility.
2. Select **HP Color LaserJet 4730**.
3. On the **File** menu, click **Show Info (command, i)**.
4. Select the **Installable Options** tab.
5. Scroll to **Accessory Output Bins** and select **HP 500 sheet stapler/stacker** or **HP 700 sheet 3-bin Mailbox**.
6. Click **Apply Changes**.

To select the stapler at the control panel for printed jobs

1. Press **Menu**.
2. Scroll to and touch **CONFIGURE DEVICE**.
3. Touch **STAPLER/STACKER**.
4. Touch **STAPLE**.
5. Touch the option that you want to use, either **NONE** or **ONE**.



NOTE Selecting the stapler at the MFP control panel changes the default setting to **STAPLE**. It is possible that all print jobs will be stapled. However, settings that are changed in the printer driver override settings that are changed at the control panel.

To select the stapler in the printer driver for printed jobs (Windows)

1. Click **Start**, point to **Settings**, and then click **Printers** (for Windows 2000) or **Printers and Faxes** (for Windows XP).
2. Right-click the HP product icon, and then click **Properties** or **Printer Preferences**.
3. Click the **Device Settings** tab.
4. On the **Output** tab, click the drop-down list under **Staple**, and click **One-edge**.

To select the stapler in the printer driver for printed jobs (Mac)

Select the stapler by creating a new preset in the printer driver.

1. Open a document and then click **Print** on the **File** menu.
2. Select the appropriate stapling option.
3. In the **Presets** pop-up menu, click **Save As**, and then type a name for the preset.

To set the stapler at the control panel for all copy jobs



NOTE The following procedure changes the default setting for all copy jobs.

1. Touch **Menu**.
2. Scroll to and touch **CONFIGURE DEVICE**.
3. Touch **COPYING**.
4. Touch **STAPLE**.
5. Touch the option that you want to use, either **NONE** or **CORNER**.

To set the stapler at the control panel for a single copy job



NOTE The following procedure sets the stapling option for only the current copy job.

1. Touch **COPY**.
2. Touch **COPY SETTINGS**.
3. Touch the **STAPLE** tab.
4. Touch the option that you want to use, either **NONE** or **ONE**.

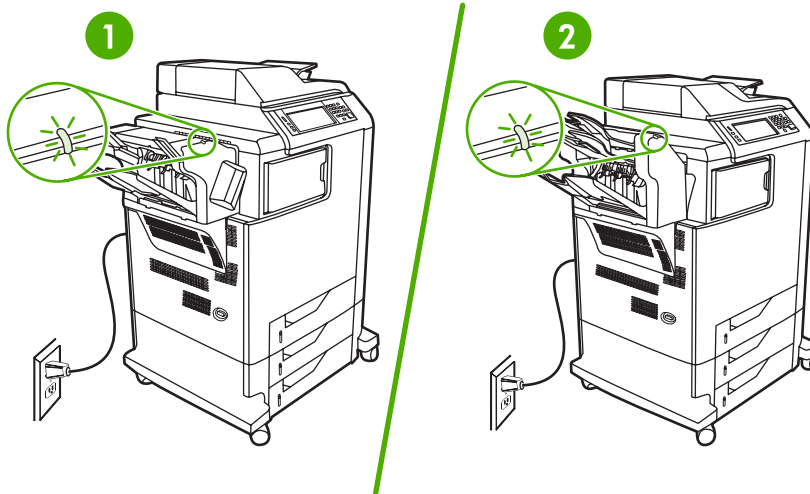
To configure the MFP to stop or continue when the staple cartridge is empty

You can specify whether the MFP stops printing when the staple cartridge is empty or if it continues printing but does not staple the jobs.

1. Touch **Menu**.
2. Scroll to and touch **CONFIGURE DEVICE**.
3. Touch **STAPLER/STACKER**.
4. Touch **STAPLES OUT**.
5. Touch the option that you want to use:
 - Select **Stop** to stop all printing until the staple cartridge is replaced.
 - Select **CONTINUE** to continue printing jobs without stapling them.

Troubleshooting the output accessories

When the 3-bin mailbox or the stapler/stacker is installed correctly with the output accessory bridge, the LED at the top of the accessory is lit green. If the LED is off, is blinking, or is lit amber, a problem exists. See [Understanding accessory lights for the 3-bin mailbox and stapler/stacker](#). For information about clearing jams, see [Clearing jams](#).



- 1 LED for the stapler/stacker
 - 2 LED for the 3-bin mailbox
-

10 Security features

This section explains important security features that are available for the MFP:

- [Securing the embedded Web server](#)
- [Foreign Interface Harness \(FIH\)](#)
- [Secure Disk Erase](#)
- [Job-storage features](#)
- [DSS authentication](#)
- [Locking the control-panel menus](#)
- [Locking the formatter cage](#)

Securing the embedded Web server

Assign a password for access to the embedded Web server so that unauthorized users cannot change the MFP settings.

To secure the embedded Web server

1. Open the embedded Web server. See [Using the embedded Web server](#).
2. Click the **Settings** tab.
3. On the left side of the window, click **Security**.
4. Type the password next to **New Password**, and type it again next to **Verify Password**.
5. Click **Apply**. Make note of the password, and store it in a safe place.

Foreign Interface Harness (FIH)

The Foreign Interface Harness (FIH) provides a portal on the MFP. By using the FIH and third-party equipment, you can track information about copies that are made on the MFP.

Requirements

- Windows 9X, Windows Me, Windows 2000, or Windows XP
- Access to third-party accounting hardware solutions, such as Equitrac or Copitrak devices

Using the FIH

To use the FIH, you must download and install the FIH software. The software is available from http://www.hp.com/go/clj4730mfp_software. The software is used to enable or disable the FIH portal. Use the software to set and change the administrator personal identification number (PIN).

Administrators can use the PIN option to configure the FIH to prevent any unauthorized changes. Changes can be made only with the correct PIN authentication.



NOTE It is important to remember the PIN that is assigned to the FIH administration software. The PIN is required to make any changes to the FIH.

To enable the FIH portal

1. Double-click the FIH.EXE file. The **Foreign Interface Harness** dialog box appears.
2. Click **OK**.
3. Click **Enable**.
4. If you have not entered a PIN before, click **No**. If you have entered a PIN before, click **Yes**. If you click **No**, type and confirm the PIN, and then click **OK**. If you click **Yes**, type the PIN and click **OK**.



NOTE The PIN must be numeric.

5. Click the appropriate button for the type of connection: **Direct** or **Network**. If **Direct** is selected, type the MFP port. If **Network** is selected, type the IP address and port for the MFP.



NOTE The IP address for the MFP can be found on the Configuration page. You can print a Configuration page from the control panel by touching **Menu**, touching **INFORMATION**, and then touching **PRINT CONFIGURATION**.

If you typed an incorrect IP address, you will receive an error message. Otherwise, the portal is enabled.

To disable the FIH portal

1. Double-click the FIH.EXE file. The **Foreign Interface Harness** dialog box appears.
2. Click **OK**.
3. Click **Disable**.

4. Type the PIN and click **OK**.
5. Click the appropriate button for the type of connection: **Direct** or **Network**. If **Direct** is selected, type the MFP port and click **OK**. If **Network** is selected, type the IP address and port for the MFP, and then click **OK**. The portal is disabled.



NOTE If you lose the PIN number and the portal needs to be disabled, try using the default PIN that is listed to disable it. For assistance, use the HP Instant Support service, which is available through the embedded Web server or at <http://instantsupport.hp.com>. See [Using the embedded Web server](#).

Secure Disk Erase

To protect deleted data from unauthorized access on the MFP hard drive, use the Secure Disk Erase feature. This feature can securely erase print and copy jobs from the hard drive.

Secure Disk Erase offers the following levels of disk security:

- **Non-Secure Fast Erase.** This is a simple file-table erase function. Access to the file is removed, but actual data is retained on the disk until it is overwritten by subsequent data-storage operations. This is the fastest mode. Non-Secure Fast Erase is the default erase mode.
- **Secure Fast Erase.** Access to the file is removed, and the data is overwritten with a fixed identical character pattern. This is slower than Non-Secure Fast Erase, but all data is overwritten. Secure Fast Erase meets the U.S. Department of Defense 5220-22.M requirements for the clearing of disk media.
- **Secure Sanitizing Erase.** This level is similar to the Secure Fast Erase mode. In addition, data is repetitively overwritten by using an algorithm that prevents any residual data persistence. This mode will impact performance. Secure Sanitizing Erase meets the U.S. Department of Defense 5220-22.M requirements for the sanitization of disk media.

Data affected

Data affected (covered) by the Secure Disk Erase feature includes temporary files that are created during the print and copying process, stored jobs, proof and hold jobs, disk-based fonts, and disk-based macros (forms).



NOTE Stored jobs will be securely overwritten only when they have been deleted through the **RETRIEVE JOB** menu on the MFP after the appropriate erase mode has been set. See [Retrieve job menu](#).

This feature will not impact data that is stored on flash-based product non-volatile RAM (NVRAM) that is used to store default settings, page counts, and similar data. This feature does not affect data that is stored on a system RAM disk (if one is used). This feature does not impact data that is stored on the flash-based system boot RAM.

Changing the Secure Disk Erase mode does not overwrite previous data on the disk, nor does it immediately perform a full-disk sanitization. Changing the Secure Disk Erase mode changes how the MFP cleans up temporary data for jobs after the erase mode has been changed.

Gaining access to Secure Disk Erase

Use HP Web Jetadmin to gain access to and set the Secure Disk Erase feature.

Additional Information

For additional information about the HP Secure Disk Erase feature, see the HP support flyer or go to <http://www.hp.com/go/webjetadmin/>.

Job-storage features

Several job-storage features are available for this MFP. These features include printing private jobs, storing print jobs, quick-copying jobs, and proofing and holding jobs.

For more information about job-storage features, see [Creating a stored copy job](#).

DSS authentication

Optional Digital Sending Software (DSS) for the MFP is available for purchase separately. The software provides an advanced sending program that contains an authentication process. This process requires users to type a user identification and a password before they can use any of the DSS features that require authentication.

See [Ordering parts, accessories, and supplies](#) for ordering information.

Locking the control-panel menus

To prevent someone from changing the MFP configuration, you can lock the control-panel menus. This prevents unauthorized users from changing the configuration settings such as the SMTP server. The following procedure describes how to restrict access to the control-panel menus by using the HP Web Jetadmin software. (See [Using HP Web Jetadmin software](#).)

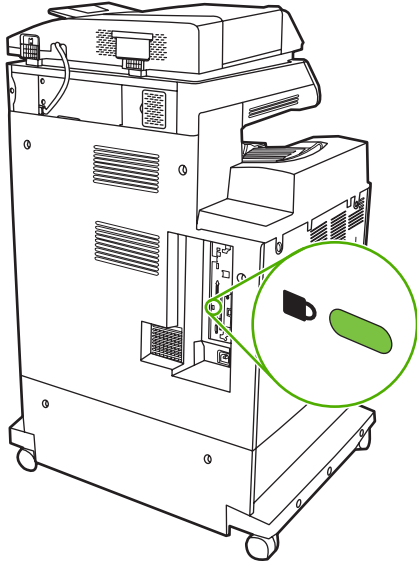
To lock the control-panel menus

1. Open the HP Web Jetadmin program.
2. Open the **DEVICE MANAGEMENT** folder in the drop-down list in the **Navigation** panel. Navigate to the **DEVICE LISTS** folder.
3. Select the MFP.
4. In the **Device Tools** drop-down list, select **Configure**.
5. Select **Security** from the **Configuration Categories** list.
6. Type a **Device Password**.
7. In the **Control Panel Access** section, select **Maximum Lock**. This prevents unauthorized users from gaining access to configuration settings.

Locking the formatter cage

To purchase a locking accessory for the HP Color LaserJet 4730mfp formatter cage, please contact HP at <http://www.hp.com/support/clj4730mfp>.

The following figure indicates where you should place the lock.



11 Managing and maintaining the MFP

This chapter contains information about these topics:

- [Using the embedded Web server](#)
- [Using the HP Easy Printer Care Software](#)
- [Using HP Web Jetadmin software](#)
- [Using the HP Printer Utility for Macintosh](#)
- [Configuring and verifying an IP address](#)
- [Setting the real-time clock](#)
- [Configuring alerts](#)
- [Checking the MFP configuration](#)
- [Upgrading the firmware](#)
- [Managing print cartridges](#)
- [Replacing supplies](#)
- [Performing preventive maintenance](#)
- [Cleaning the MFP](#)
- [Calibrating the scanner](#)

Using the embedded Web server

Use the embedded Web server to view MFP and network status and to manage printing functions from your computer instead of from the MFP control panel. The following are examples of what you can do using the embedded Web server:



NOTE When the printer is directly connected to a computer, use the HP Easy Printer Care Software to view the printer status.

- View MFP status information.
- Set the type of media that is loaded in each tray.
- Determine the remaining life for all supplies and order new ones.
- View and change tray configurations.
- View and change the MFP control-panel menu configuration.
- View and print internal pages.
- Receive notification of MFP and supplies events.
- View and change network configuration.

To use the embedded Web server, you must have Microsoft Internet Explorer 5.01 or later or Netscape 6.2 or later for Windows, Mac OS, and Linux (Netscape only). Netscape Navigator 4.7 is required for HP-UX 10 and HP-UX 11. The embedded Web server works when the MFP is connected to an IP-based network. The embedded Web server does not support IPX-based MFP connections. You do not have to have Internet access to open and use the embedded Web server.

When the MFP is connected to the network, the embedded Web server is automatically available.



NOTE For complete information about using the embedded Web server, see the *Embedded Web Server User Guide*, which is on the HP Color LaserJet 4730mfp series software CD-ROM.

Opening the embedded Web server

1. In a supported Web browser on your computer, type the IP address for the MFP. To find the IP address, print a configuration page. For more information about printing a configuration page, see [Configuration page](#).



NOTE After you open the URL, you can bookmark it so that you can return to it quickly in the future.

2. The embedded Web server has four tabs that contain settings and information about the MFP: the **Information** tab, the **Settings** tab, the **Digital Sending** tab, and the **Networking** tab. Click the tab that you want to view.
3. See the following sections for more information about each tab.

Information tab

The Information pages group consists of the following pages.

- **Device Status.** This page shows the MFP status and shows the life remaining of HP supplies, with 0% representing that a supply is empty. The page also shows the type and size of print media set for each tray. To change the default settings, click **Change Settings**.
- **Configuration page.** This page shows the information that is found on the MFP configuration page.
- **Supplies Status.** This page shows the life remaining of HP supplies, with 0% representing that a supply is empty. This page also provides supplies part numbers. To order new supplies, click **Order Supplies** in the **Other Links** area of the window. To visit any Web site, you must have Internet access.
- **Event log.** This page shows a list of all MFP events and errors.
- **Usage page.** This page details the total usage of the MFP.
- **Device information.** This page shows the MFP network name, address, and model information. To change these entries, click **Device Information** on the **Settings** tab.
- **Control panel.** View the current status of the MFP control panel.
- **Print.** Select a file on your network or on the Web, and send it to the MFP to be printed. The document must be a print-ready document, such as a .PS, .PDF, .PCL, or .TXT file.

Settings tab

Use this tab to configure the MFP from your computer. The **Settings** tab can be password protected. If this MFP is networked, always consult with the system administrator before changing settings on this tab.

The **Settings** tab contains the following pages.

- **Configure Device.** Configure all MFP settings from this page. This page contains the traditional menus found on the control-panel display. These menus include **Information**, **Paper Handling**, **Configure Device**, and **Diagnostics**.
- **e-mail Server.** Use this page to set up the SMTP server that will be used to send MFP e-mail alerts (set up on the **Alerts** page).
- **Alerts.** Network only. Set up to receive e-mail alerts for various MFP and supplies events. These alerts can be sent to a list of up to 20 e-mail, mobile device, or Web site destinations.
- **AutoSend.** Use the AutoSend screen to send product-configuration and usage information periodically to your service provider. This feature establishes a relationship with Hewlett-Packard Company or another service provider to provide you with services that include support agreements and usage tracking.
- **Security.** Set a password that must be typed in order to gain access to the **Settings**, **Digital Sending**, and **Networking** tabs. Turn on and off certain features of the EWS.
- **Edit Other Links.** Add or customize a link to another Web site. This link is shown in the **Other Links** area on all embedded Web server pages. These permanent links always appear in the **Other Links** area: **HP Instant Support**, **Order Supplies**, and **Product Support**.
- **Device Information.** Name the MFP and assign an asset number to it. Type the name of the primary contact who will receive information about the MFP.

- **Language.** Determine the language in which to show the embedded Web server information.
- **Date & Time.** Use this page to set the correct date and time for the device. Once the time is set, the device's real-time clock maintains the accurate time.
- **Wake Time page.** Wake Time can be set to wake the MFP at a certain time on a daily basis. Only one wake time can be set per day; however, each day can have a different wake time. You can also set the time delay for Sleep Mode on this page.

Digital Sending tab

Use the pages on the **Digital Sending** tab to configure the digital-sending features.



NOTE If the MFP is configured to use the optional HP Digital Sending Software, the options on these tabs are not available. Instead, all digital-sending configuration is performed by using the HP Digital Sending Software.

- **General page.** Set up contact information for the system administrator.
- **Send to e-mail page.** Configure the e-mail settings for digital sending. You can specify the SMTP server, the default "From" address, and the default subject. You can also set the maximum file size that is allowed for attachments.
- **Addressing page.** Configure the LDAP server settings for digital sending. The LDAP server can be used to retrieve e-mail addresses for digital sending. Select the check box at the top of this page to enable this feature. Click **Find Server** to find the LDAP server on your network, then click **Test** near the bottom of the page to test access to the server. Contact your network administrator for more information about using the LDAP server.
- **Address Book page.** Use this page to import e-mail addresses, in the form of a Comma-Separated Value (CSV) file into the MFP internal address book. This process is necessary only if you are not using an LDAP server to find e-mail addresses.
- **Activity Log page.** View the digital-sending activity log for the MFP. The log contains digital-sending job information, including any errors that occur.
- **Preferences page.** Configure digital-sending defaults such as the default page-size and the default settings-reset delay. You can also configure these settings by using the MFP control-panel menus.

Networking tab

The network administrator can use this tab to control network-related settings for the MFP when it is connected to an IP-based network. This tab does not appear if the MFP is directly connected to a computer, or if the MFP is connected to a network with anything other than an HP Jetdirect print server.

Other links

This section contains links that connect you to the Internet. You must have Internet access in order to use any of these links. If you use a dial-up connection and did not connect when you first opened the

embedded Web server, you must connect before you can visit these Web sites. Connecting might require that you close the embedded Web server and reopen it.

- **HP Instant Support.** Connects you to the HP Web site to help you find solutions. This service analyzes your MFP error log and configuration information to provide diagnostic and support information specific to your MFP.
- **Order Supplies.** Click this link to connect to an ordering Web site and order genuine HP supplies, such as print cartridges and media.
- **Product Support.** Connects to the support site for the HP Color LaserJet 4730mfp series. Then, you can search for help regarding general topics.

Using the HP Easy Printer Care Software

The HP Easy Printer Care Software is an application that you can use for the following tasks:

- Check the printer status.
- Check supplies status.
- Set up alerts.
- Gain access to troubleshooting and maintenance tools.

You can use the HP Easy Printer Care Software when the printer is directly connected to your computer or when it is connected to a network. You must perform a complete software installation to use the HP Easy Printer Care Software.



NOTE You do not have to have Internet access to open and use the HP Easy Printer Care Software. However, if you click a Web-based link, you must have Internet access to go to the site associated with the link.

For more information on HP Easy Printer Care Software, visit <http://www.hp.com/go/easyprintercare>.

Supported operating systems

The HP Easy Printer Care Software is supported for Windows 2000 and Windows XP.


To use the HP Easy Printer Care Software


Use one of the following methods to open HP Easy Printer Care Software:

- In the Windows system tray/taskbar (in the lower right-hand corner of the desktop), select **HP Easy Printer Care Software**.
- Double-click the HP Easy Printer Care Software icon.
- Double-click the desktop icon.

HP Easy Printer Care Software sections

The HP Easy Printer Care Software contains the sections described in the table below.

Section	Description
Overview tab	<ul style="list-style-type: none">● Devices list: Shows the printers that you can select.
Contains basic status information for the printer.	<ul style="list-style-type: none">● Device Status section: Shows printer status information. This section will indicate printer alert conditions, such as an empty print cartridge. It also shows device-identification information, control-panel messages, and print-cartridge levels. After you correct a problem with the printer, click the  (Refresh) button to update the section.● Supplies Status section: Shows detailed supplies status, such as the percentage of toner remaining in the print cartridges and the status of the media that is loaded in each tray.● Supplies Details link: Opens the supplies status page to view more detailed information about printer supplies, ordering information, and recycling information.

Section	Description
<p>Support tab</p> <p>Provides help information and links.</p>	<ul style="list-style-type: none"> Provides device information, including alerts for items needing attention. Provides links to troubleshooting information and tools. Provides links to the HP Web site for registration, support, and for ordering supplies. <p> NOTE If you use a dial-up connection and did not connect to the Internet when you first opened the HP Easy Printer Care Software, you must connect before you can visit these Web sites.</p>
<p>Supplies Ordering window</p> <p>Provides access to online or e-mail supplies ordering.</p>	<ul style="list-style-type: none"> Ordering list: Shows the supplies that you can order for each printer. If you want to order a certain item, click the Order check box for that item in the supplies list. Shop Online for Supplies button: Opens the HP supplies Web site in a new browser window. If you have checked the Order check box for any items, the information about those items can be transferred to the Web site. Print Shopping List button: Prints the information for the supplies that have the Order check box selected. Email Shopping List button: Creates a text list of items that have the Order check box selected. The list can be copied into an e-mail message that you send to your supplier.
<p>Alert Settings window</p> <p>Allows you to configure the printer to automatically notify you of printer issues.</p>	<ul style="list-style-type: none"> Alerts on or off: Activates or deactivates the alerts feature for a certain printer. When alerts appear: Sets when you want alerts to appear—either when you are printing to that particular printer, or anytime there is a printer event. Alert event type: Sets whether you want alerts for only critical errors, or for any error, including continuable errors. Notification type: Sets what type of alert should appear (pop-up message or system tray alert, and e-mail message).
<p>Device List tab</p> <p>Shows information about each printer in the Devices list.</p>	<ul style="list-style-type: none"> Printer information, including printer name, make, and model An icon (if the View as drop-down box is set to Tiles, which is the default setting) Any current alerts for the printer <p>If you click a printer in the list, the HP Easy Printer Care Software opens the Overview tab for that printer.</p> <p>Device List tab information includes the following:</p>
<p>Find Other Printers window</p> <p>Allows you to add more printers to your printer list.</p>	<p>Clicking the Find Other Printers link in the Devices list opens the Find Other Printers window. The Find Other Printers window provides a utility that detects other network printers so that you can add them to the Devices list and then monitor those printers from your computer.</p>

Using HP Web Jetadmin software

HP Web Jetadmin is a Web-based software solution for remotely installing, monitoring, and troubleshooting network-connected peripherals. The intuitive browser interface simplifies cross-platform management of a wide range of devices, including HP and non-HP printers. Management is proactive, allowing network administrators the ability to resolve printer issues before users are affected. Download this free, enhanced-management software at http://www.hp.com/go/webjetadmin_software.

To obtain plug-ins to HP Web Jetadmin, click **plug-ins**, and then click the **download** link that is next to the name of the plug-in that you want. The HP Web Jetadmin software can automatically notify you when new plug-ins are available. On the **Product Update** page, follow the directions to automatically connect to the HP Web site.

If installed on a host server, HP Web Jetadmin is available to any client through a supported Web browser, such as Microsoft Internet Explorer 6.0 for Windows or Netscape Navigator 7.1 for Linux. Browse to the HP Web Jetadmin host.



NOTE Browsers must be Java-enabled. Browsing from an Apple Macintosh computer is not supported.

Using the HP Printer Utility for Macintosh

Use the HP Printer Utility to configure and maintain a printer from a Mac OS X v10.2 or v10.3 computer. This section describes several functions that you can perform through the HP Printer Utility.

Opening the HP Printer Utility

The process that you use to start the HP Printer Utility depends on the Macintosh operating system that you are using.

To open the HP Printer Utility in Mac OS X v10.2

1. Open the Finder, and then click **Applications**.
2. Click **Library**, and then click **Printers**.
3. Click **hp**, and then click **Utilities**.
4. Double-click **HP Printer Selector** to open the HP Printer Selector.
5. Select the printer that you want to configure, and then click **Utility**.

To open the HP Printer Utility in Mac OS X 10.3

1. In the Dock, click the **Printer Setup Utility** icon.



NOTE If the **Printer Setup Utility** icon does not appear in the Dock, open the Finder, click **Applications**, click **Utilities**, and then double-click **Printer Setup Utility**.

2. Select the printer that you want to configure, and then click **Utility**.

Printing a cleaning page

Print a cleaning page if the printer is not printing jobs at the expected quality level.

1. Open the HP Printer Utility.
2. In the **Configuration Settings** list, select **Color Cleaning**.
3. Click **Print Cleaning Page** to print the cleaning page.

Printing a configuration page

Print a configuration page to view the printer settings. For more information about the configuration page, see [Configuration page](#).

1. Open the HP Printer Utility.
2. In the **Configuration Settings** list, select **Configuration Page**.
3. Click **Print Configuration Page** to print the configuration page.

Viewing supplies status

View the status of the printer supplies (such as print cartridges, imaging drum, or print media) from a computer.

1. Open the HP Printer Utility.
2. In the **Configuration Settings** list, select **Supplies Status**.
3. Click the **Supplies** tab to view the status of various replaceable supplies, and click the **Media** tab to view the status of print media.
 - To view a more detailed status list, click **Detailed Supplies Information**. The Supplies Information dialog box appears.
 - To order supplies online, click **Order HP Supplies**. You must have Internet access in order to use the online ordering Web page. For more information about online ordering, see [Ordering supplies online and using other support features](#).

Ordering supplies online and using other support features

Use the HP Web site to order printer supplies, register the printer, get customer support, or learn about recycling printer supplies. You must have Internet access in order to use the supplies and support Web pages.

1. Open the HP Printer Utility.
2. In the **Configuration Settings** list, select **HP Support**.
3. Click one of the following buttons:
 - **Instant Support**: Opens a Web page that you can use to seek technical assistance.
 - **Order Supplies Online**: Opens a Web page that you can use to order printer supplies.
 - **Online Registration**: Opens a Web page that you can use to register the printer.
 - **Return & Recycle**: Opens a Web page that you can use to find information about recycling used supplies.

Uploading a file to the printer

Send a file from the computer to the printer. The action that the printer takes depends on the type of file that is being sent to it. For example, when a print-ready file (such as a .PS or .PCL file) is sent, the printer prints the file.

1. Open the HP Printer Utility.
2. In the **Configuration Settings** list, select **File Upload**.
3. Click **Choose**, navigate to the file that you want to upload, and then click **OK**.
4. Click **Upload** to load the file.

Uploading fonts to the printer

Add fonts from the computer to the printer.

1. Open the HP Printer Utility.
2. In the **Configuration Settings** list, select **Upload Fonts**.
3. In the **Fonts in printer's** pop-up menu, select where you want the fonts to be stored on the printer. The fonts in that storage device appear in the list that appears below the pop-up menu.
4. Click **Add** and navigate to the font file that you want to upload to the printer.
5. Click **Upload** to upload the font to the printer.



NOTE To remove a font from the printer, open the HP Printer Utility, select **Upload Fonts**, select the correct storage device in the pop-up menu, select the font that you want to delete, and then click **Remove**.

Updating the firmware

Update the printer firmware by loading the new firmware file from the computer. You can find new firmware files for your printer at www.hp.com.

1. Open the HP Printer Utility.
2. In the **Configuration Settings** list, select **Firmware Update**.
3. Click **Choose**, navigate to the firmware file that you want to upload, and then click **OK**.
4. Click **Upload** to load the firmware file.

Activating the two-sided printing (duplexing) mode

Turn on the two-sided printing feature on printers equipped with automatic duplexers.

1. Open the HP Printer Utility.
2. In the **Configuration Settings** list, select **Duplex Mode**.
3. Select **Enable Duplex Mode** to activate the two-sided printing mode, and then click **Apply Now**.

Activating the Economode printing mode

Use the Economode setting to conserve printer supplies.

1. Open the HP Printer Utility.
2. In the **Configuration Settings** list, select **Economode Toner Density**.
3. Select **Turn Economode on**, and then click **Apply Now**.

Changing the toner density

Conserve print-cartridge toner by changing the toner-density level. The lower toner-density levels conserve the most toner.

1. Open the HP Printer Utility.
2. In the **Configuration Settings** list, select **Economode Toner Density**.
3. On the **Toner Density** popup menu, select the toner density level, and then click **Apply Now**.

Changing the resolution settings

Change the resolution settings from the computer. You also can change the Resolution Enhancement Technology (REt) setting.

1. Open the HP Printer Utility.
2. In the **Configuration Settings** list, select **Resolution**.
3. On the **Resolution** pop-up menu, select the resolution level, and then click **Apply Now**.



NOTE To change the REt setting, repeat step 3 in the **REt Level** pop-up menu.

Locking or unlocking printer storage devices

Manage access to printer storage devices from the computer.

1. Open the HP Printer Utility.
2. In the **Configuration Settings** list, select **Lock Resources**.
3. On the **Control Panel Access Level** pop-up menu, select the access level that you want to set for the printer control panel.
4. Select the devices that you want to lock, and clear any devices that you want to unlock.
5. Click **Apply Now**.

Saving or printing stored jobs

Turn on the printer job-storing function, or print a stored job from the computer. You also can delete a stored print job.

1. Open the HP Printer Utility.
2. In the **Configuration Settings** list, select **Stored Jobs**.
3. Perform any of the following tasks:
 - To turn on the job-storing function, select **Enable Job Storing**, and then click **Apply Now**.
 - To print a stored job, select a stored job in the list, type the necessary personal identification number (PIN) in the **Enter Secure Job PIN** box, type the number of copies that you want in the **Copies to Print** box, and then click **Print**.
 - To delete a stored job, select a stored job in the list, and then click **Delete**.

Configuring trays

Change the default printer tray settings from the computer.

1. Open the HP Printer Utility.
2. In the **Configuration Settings** list, select **Trays Configuration**.
3. In the **Trays** list, select the tray to be configured.



NOTE To make the selected tray the default tray for printing, click **Make Default**.

4. In the **Default Media Size** pop-up menu, select the default media size for the tray.
5. In the **Default Media Type** pop-up menu, select the default media type for the tray.
6. Click **Apply Now**.

Changing network settings

Change the network internet protocol (IP) settings from the computer. You also can open the embedded Web server to change additional settings. For more information, see [Using the embedded Web server](#).

1. Open the HP Printer Utility.
2. In the **Configuration Settings** list, select **IP Settings**.
3. Change any of the settings in the following pop-up menus or fields:
 - **Configuration**
 - **Host Name**
 - **IP Address**
 - **Subnet Mask**
 - **Default Gateway**

If you want to change more settings in the embedded Web server, click **Additional Network Settings**. The embedded Web server opens with the **Networking** tab selected.

4. Click **Apply Now**.

Opening the embedded Web server

Open the embedded Web server through the HP Printer Utility. For more information, see [Using the embedded Web server](#).

1. Open the HP Printer Utility.
2. In the **Configuration Settings** list, select **Additional Settings**.
3. Click **Open Embedded Web Server**.

Setting up e-mail alerts

Set up e-mail messages that alert you to certain events that occur with the printer, such as a low toner level in a print cartridge.

1. Open the HP Printer Utility.
2. In the **Configuration Settings** list, select **E-mail Alerts**.
3. Click the **Server** tab, and, in the **SMTP server** box, type the server name.
4. Click the **Destinations** tab, click the add (+) button, and then type the e-mail addresses, mobile device numbers, or Web site URLs to which you want the e-mail alerts sent.



NOTE If your printer supports e-mail lists, you can make alerts lists for specific events the same way that you added e-mail addresses.

5. Click the **Events** tab, and, in the list, define the events for which an e-mail alert should be sent.
6. To test the alerts setup, click the **Server** tab, and then click **Test**. A sample message is sent to the defined e-mail addresses if the configuration is correct.
7. Click **Apply Now**.

Configuring and verifying an IP address

You can use the following browser-based options to assign and configure TCP/IP addresses on an HP Jetdirect print server:

- HP Web Jetadmin
- Embedded Web server
- Control panel

TCP/IP assignment

The system administrator or primary user is responsible for determining the TCP/IP address for a specific print server. If you are unsure what the TCP/IP address should be or if you are unfamiliar with using TCP/IP on a network, go to the HP Web site at <http://www.hp.com/>. Click **Search** in the upper-left corner of the Web page and search for **TCP/IP Overview**.

Automatic discovery

The product is equipped with an HP Jetdirect embedded print server. If a BootP or DHCP server is available during product installation, the print server is automatically assigned an IP address for use on the network. The print server defaults to 192.0.0.192 (Legacy default) or to 169.254.x.x (Auto IP) if the print server cannot obtain an IP address over the network from a BootP or DHCP server. The default that is assigned depends on the particular network (small/private or enterprise) by using sensing algorithms.

To determine the new IP address, print a configuration page and check the TCP/IP status and address.

Dynamic Host Configuration Protocol (DHCP)

When the product is turned on, the HP Jetdirect print server broadcasts DHCP requests. DHCP automatically downloads an IP address from a network server. DHCP servers maintain a fixed set of IP addresses and only loan an IP address to the print server. Consult your operating system documentation to set up DHCP service on your network.

Verifying the TCP/IP configuration

Print a configuration page at the control panel. Check the TCP/IP status and the TCP/IP addresses. If the information is incorrect, check your hardware connections (cables, hubs, routers, or switches) or recheck the validity of the TCP/IP address.

Changing an IP address

Use the following procedures if you need to change the product TCP/IP address.

To change an IP address by using HP Web Jetadmin

Open HP Web Jetadmin. Type the TCP/IP address in the **Quick Device Search** field and click **Go**. At the top menu bar, follow this procedure for discovery options.

1. In the drop-down menu, click **Devices**.
2. In the drop-down menu, click **New Devices**. Click **Go**.

3. Click the column header of your choice (such as IP Address or Device Model) to arrange the list of available devices in ascending or descending order.
4. Highlight the product to configure, and click **Open Device**.
5. From the sub-menu at the top of the HP Web Jetadmin screen, click **Configuration**.
6. Click the network link located on the left side of the configuration screen.
7. Type the new IP information. You might need to scroll down for more options.
8. Click **Apply** to save the settings.
9. Click the **Refresh** button located next to the question mark on the right side of the screen.
10. Verify the IP information by clicking **Status Diagnostics** or by printing a configuration page.

To change an IP address by using the embedded Web server

The MFP has an embedded Web server that can be used to modify the TCP/IP parameters. To use the embedded Web server, the HP Jetdirect print server must have an IP address already configured. On a network, this is done automatically during initial product installation.

1. In a supported Web browser, type the current IP address of the HP Jetdirect print server as the URL. The **Device Status** page of the embedded Web server appears.
2. Click **Networking**. From this page, you can modify the MFP network configuration.

To change an IP address using the control panel

For more information about using the control panel to change an IP address, see [Configuring the printer driver to recognize the 3-bin mailbox/stapler/stacker](#).

1. Press **Menu**.
2. Scroll to and touch **CONFIGURE DEVICE**.
3. Scroll to and touch **I/O**.
4. Scroll to and touch **EMBEDDED JETDIRECT MENU**.
5. Scroll to and touch **TCP/IP**.
6. Scroll to and touch **CONFIG METHOD**.
7. Scroll to and touch **MANUAL**.
8. Scroll to and touch **MANUAL SETTINGS**.
9. Scroll to and touch **IP ADDRESS**.
10. Touch the left and right arrows to select each byte of the IP address.
11. Use the numeric keypad to enter the value of each byte.
12. Touch **OK** to save the IP address.
13. Scroll to and touch **SUBNET MASK**.
14. Touch the left and right arrows to select each byte of the subnet mask.

15. Use the numeric keypad to enter the value of each byte of the subnet mask.
16. Touch **OK** to save the subnet mask.
17. Scroll to and touch **DEFAULT GATEWAY**.
18. Touch the left and right arrows to select each byte of the default gateway.
19. Use the numeric keypad to enter the value of each byte of the default gateway.
20. Touch **OK** to save the default gateway.

Setting the real-time clock

Use the real-time clock feature to set the date and time settings. The date and time information is attached to stored print, fax, and digital-send jobs, so you can identify the most recent versions of stored print jobs. You can also set the MFP to automatically warm up and prepare for use at a set time each day.

Setting the date and time

When setting the date and time you can set the date format, date, time format, and time.

To set the date format

1. Press **Menu**.
2. Scroll to and touch **CONFIGURE DEVICE**.
3. Scroll to and touch **SYSTEM SETUP**.
4. Touch **Date/Time**.
5. Touch **DATE FORMAT**.
6. Touch the desired format. The settings are saved and the control panel returns to the **Date/Time** submenu.
7. Touch **EXIT** to exit the menu.

To set the date

1. Press **Menu**.
2. Scroll to and touch **CONFIGURE DEVICE**.
3. Scroll to and touch **SYSTEM SETUP**.
4. Touch **Date/Time**.
5. Touch **DATE**.
6. Touch the appropriate options to set the correct month, date of the month, and the year.



NOTE The order of modifying the month, date of the month, and year depends upon the date format setting.

7. The settings are saved and the control panel returns to the **Date/Time** submenu.
8. Touch **EXIT** to exit the menu.

To set the time format

1. Press **Menu**.
2. Scroll to and touch **CONFIGURE DEVICE**.
3. Scroll to and touch **SYSTEM SETUP**.
4. Touch **Date/Time**.

5. Touch **TIME FORMAT**.
6. Touch the appropriate format. The settings are saved and the control panel returns to the **Date/Time** submenu.
7. Touch **EXIT** to exit the menu.

To set the time

1. Press **Menu**.
2. Scroll to and touch **CONFIGURE DEVICE**.
3. Scroll to and touch **SYSTEM SETUP**.
4. Touch **Date/Time**.
5. Touch **TIME**.
6. Touch the appropriate options to set the correct hour, minute, and AM/PM setting.



NOTE The order of modifying the hour, minute, and AM/PM setting depends upon the time format setting.

7. The settings are saved and the control panel returns to the **Date/Time** submenu.
8. Touch **EXIT** to exit the menu.

Setting the wake time

Use the wake time feature to wake the MFP at a set time each day. If a wake time is set, use an extended sleep delay period. See [Setting the sleep delay](#).

To set the wake time

1. Press **Menu**.
2. Scroll to and touch **CONFIGURE DEVICE**.
3. Scroll to and touch **SYSTEM SETUP**.
4. Scroll to and touch **WAKE TIME**.
5. Touch the day of the week for which you want to set the wake time.
6. Touch **CUSTOM**.
7. Touch the appropriate options to set the correct hour, minute, and AM/PM setting.
8. If you want to wake the MFP at the same time each day, on the **APPLY TO ALL DAYS** screen, touch **YES**.
9. If you want to set the time for individual days, touch **NO**, and repeat the procedure for each day.
10. The settings are saved and the control panel returns to the **WAKE TIME** submenu.
11. Touch **EXIT** to exit the menu.

Setting the sleep delay

Use the sleep-delay feature to set the period of time that the MFP must be idle before it enters the sleep mode.



NOTE If the sleep-delay feature is turned off in the **Reset** menu, the MFP never enters the sleep mode. Selecting a sleep delay value automatically turns the sleep feature on. The default value for the sleep delay setting is 45 minutes.

To set the sleep delay

1. Press **Menu**.
2. Scroll to and touch **CONFIGURE DEVICE**.
3. Scroll to and touch **SYSTEM SETUP**.
4. Touch **SLEEP DELAY**.
5. Scroll to and touch the sleep-delay setting that you want.
6. The settings are saved and the control panel returns to the **SYSTEM SETUP** submenu.
7. Touch **EXIT** to exit the menu.

Configuring alerts

You can use HP Web Jetadmin or the MFP's embedded Web server to configure the system to alert you of problems with the MFP. The alerts take the form of e-mail messages to the e-mail account or accounts that you specify.

You can configure the following:

- The printer(s) you want to monitor
- What alerts are to be received (for example, alerts for paper jams, paper out, supplies status, and cover open)
- The e-mail account to which the alerts should be forwarded

Software	Information location
HP Web Jetadmin	See HP Web Jetadmin for general information about HP Web Jetadmin. See the HP Web Jetadmin Help system for details on alerts and how to set them up.
Embedded Web server	See Using HP Web Jetadmin software for general information about the embedded Web server. See the embedded Web server Help system for details on alerts and how to set them up.

Checking the MFP configuration

From the control panel, you can print pages that give details about the MFP and its current configuration. The following information pages are described here:

- Menu map
- Configuration page
- HP Jetdirect page
- Supplies status page
- Usage page
- PCL or PS font list

Use the following procedure to print these information pages. Then, see the following sections for more information about each page.

To print an information page

1. Touch **Menu**.
2. Touch **INFORMATION**.
3. Scroll to the information page that you want, and touch the appropriate page. The page automatically prints.

Menu map

To see the current settings for the menus and items that are available in the control panel, print a control-panel menu map.

Many of these values can be overridden from the driver or program. Store the menu map near the MFP for reference.

The content of the menu map varies, depending on the options that are currently installed in the MFP. For a complete list of control panel items and possible values, see [Using the control panel](#).

Configuration page

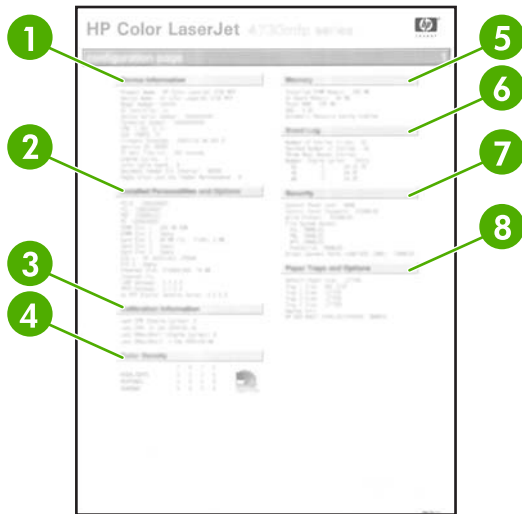
Use the configuration page to view current MFP settings, to help troubleshoot MFP problems, or to verify installation of optional accessories, such as memory (DIMMs) or printer languages.



NOTE If an optional 3-bin mailbox or stapler/stacker is installed, a page also prints for that device.

NOTE If an analog fax accessory is installed, a fax accessory page also prints. see the *HP LaserJet Analog Fax Accessory 300 User Guide* supplied with the fax accessory for information about understanding the fax accessory page.

The MFP configuration page contains the following information:



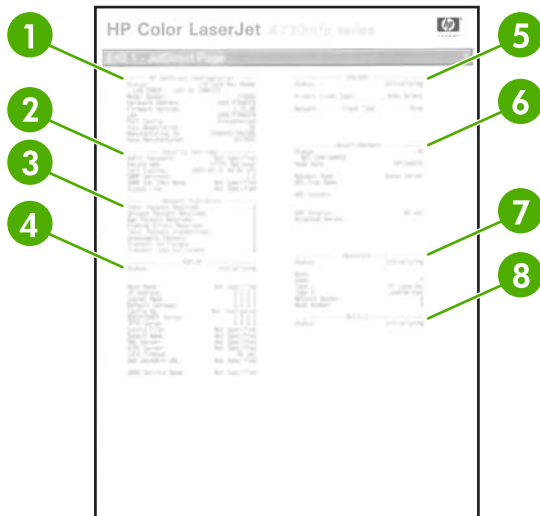
- | | |
|----------|---|
| 1 | Device Information lists the serial number, page counts, firmware datecodes, maintenance-kit counts, calibration information, color density, and other information for the MFP. |
| 2 | Installed Personalities and Options lists all MFP languages that are installed (such as PCL and PS), and lists options that are installed in each DIMM slot and EIO slot. |
| 3 | Calibration Information lists the last CPR and last DMax/DHalf calibrations. |
| 4 | Color Density shows current settings for highlights, midtones, and shadows. |
| 5 | Memory lists the MFP memory information, PCL Driver Work Space (DWS), and I/O buffering and Resource Saving information. |
| 6 | Event Log lists the number of entries in the log, the maximum number of entries viewable, and the last three entries. The second page of the event log is the manufacturer page. This page contains information that might assist HP Customer Care representatives in solving possible MFP problems. |
| 7 | Security lists the status of the control-panel lock, control-panel password, and disk drive. |
| 8 | Paper Trays and Options lists the size settings for all trays and lists paper-handling accessories that are installed. |



NOTE The content of the configuration page varies, depending on the options that are currently installed in the MFP.

HP Jetdirect page

The second configuration page is the HP Jetdirect page, which contains the following information:



- | | |
|---|--|
| 1 | HP Jetdirect Configuration indicates the MFP status, model number, hardware firmware version, port select, port configuration, auto negotiation, manufacturing identification, and manufactured date. |
| 2 | Security Settings information |
| 3 | Network Statistics indicates the total packets received, unicast packets received, bad packets received, framing errors received, total packets transmitted, unsendable packets, transmit collisions, and transmit late collisions. |
| 5 | TCP/IP information, including the IP address |
| 6 | IPX/SPX information |
| 7 | Novell/NetWare information |
| 8 | AppleTalk information |
| 9 | DLC/LLC information |

Always make sure the status line indicates "I/O Card Ready".

Supplies status page

Use the supplies status page to obtain information about the print cartridge that is installed in the MFP, the amount of toner that remains in the print cartridge, and the number of pages and jobs that have been processed. The page also lets you know when you should schedule the next preventive maintenance for each maintenance kit.



NOTE The MFP has three separate maintenance kits: one for the fuser, one for the transfer unit, and one for the ADF (automatic document feeder). For more information, see [Supplies and accessories](#).

The supplies status page contains the following information:

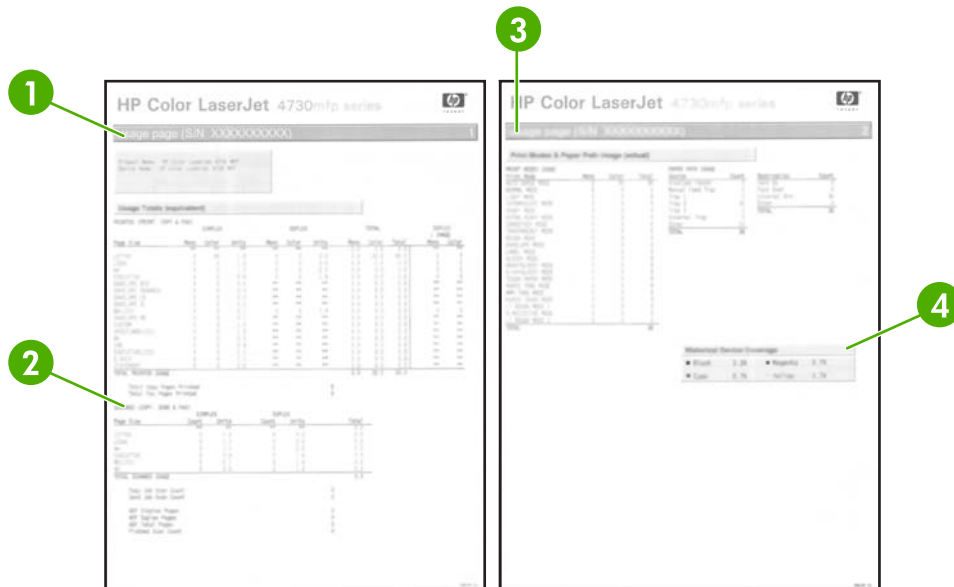


- | | |
|---|---|
| 1 | Black Cartridge indicates the part number, amount of toner remaining in the print cartridge, estimated pages remaining, total number of pages and jobs processed, print cartridge serial number, and date installed and last used. |
| 2 | Cyan Cartridge indicates the part number, amount of toner remaining in the print cartridge, estimated pages remaining, total number of pages and jobs processed, print cartridge serial number, and date installed and last used. |
| 3 | Magenta Cartridge indicates the part number, amount of toner remaining in the print cartridge, estimated pages remaining, total number of pages and jobs processed, print cartridge serial number, and date installed and last used. |
| 4 | Yellow Cartridge indicates the part number, amount of toner remaining in the print cartridge, estimated pages remaining, total number of pages and jobs processed, print cartridge serial number, and date installed and last used. |
| 5 | Image Transfer Kit indicates the part number and status. |
| 6 | Image Fuser Kit indicates the part number and status. |
| 7 | Ordering Information provides information on ordering new HP MFP supplies. |
| 8 | Return & Recycling provides information on recycling HP MFP supplies. |

Usage page

The usage page provides information about the page sizes and number of pages printed, copied, and sent.

The usage page contains the following information:



- 1 **Usage Totals: Printed (Print, Copy & Fax)** indicates types of pages that have been printed; the number of single-sided pages that have been printed; the number of duplexed pages that have been printed (if a duplexer is installed); the total number of copies made; and the total number of fax pages printed.
- 2 **Usage Totals: Scanned (Copy, Send & Fax)** indicates types of pages that have been scanned; the number of single-sided and duplexed pages that have been scanned; copy and send job counts; and pages scanned by scanner mode.
- 3 **Print Modes and Paper Path Usage** shows the number of pages that have been printed with each fuser mode and the number of pages that have been printed from each input tray and to each output bin.
- 4 **Historical Device Coverage** indicates the average percentage of toner used on all pages that have been printed.

PCL or PS font list

Use the font lists to see which fonts are currently installed in the MFP. (The font lists also show which fonts are resident on a hard disk or flash DIMM.)

The PS font list shows the PS fonts installed, and gives a sample of those fonts. The following describes the information that can be found on the PCL font list:

- Font gives the font names and samples.
- Pitch/Point indicates the pitch and point size of the font.
- Escape Sequence (a PCL 5e programming command) is used to select the designated font. (See the legend at the bottom of the font list page.)
- Font # is the number used to select fonts from the control panel (not the software application). Do not confuse the font # with the font ID (see the following information). The number indicates the DIMM slot where the font is stored.
 - Soft: Downloaded fonts that stay resident in the MFP until other fonts are downloaded to replace them or until the MFP is turned off.
 - Internal: Fonts that permanently reside in the MFP.
- Font ID is the number you assign to soft fonts when you download them through software.

Upgrading the firmware

The MFP has remote firmware update (RFU) capability. Use the information in this section to upgrade the MFP firmware. The overall process involves the following steps:

1. Determine the current level of firmware that is installed on the MFP.
2. Go to the HP Web site and find out whether a firmware update is available. If an update is available, download the latest firmware to your computer.
3. Transfer the new firmware from your computer to the MFP.

Determining the current level of firmware

To determine the current level of firmware, view the configuration information on the MFP control panel. To view the configuration information, follow these instructions.

1. Touch **Menu**.
2. Touch **INFORMATION**.
3. Touch **PRINT CONFIGURATION PAGE?**
4. The firmware datecode is listed in the section called **Device Information**. The firmware datecode has this format: YYYYMMDD XX.XXX.X. The first string of numbers is the date, where YYYY represents the year, MM represents the month, and DD represents the date. For example, a firmware datecode of that begins with 20040225 represents February 25, 2004.

Downloading the new firmware from the HP Web site

To find the most recent firmware upgrade for the MFP, go to http://www.hp.com/go/clj4730mfp_software. This page provides instructions for downloading the new firmware version.

Transferring the new firmware to the MFP

Use one of the following methods to update the firmware.

Using FTP to upload the firmware through a browser

Follow these steps to update the MFP firmware by using FTP through a browser.

To use a browser for firmware update



NOTE These instructions can be used for both Windows and Macintosh operating systems.

1. Print a configuration page and note the TCP/IP address shown on the EIO Jetdirect page.
2. Open a browser window.
3. In the address line of the browser, type `ftp://<ADDRESS>`, where <ADDRESS> is the address of the MFP. For example, if the TCP/IP address is 192.168.0.90, type `ftp://192.168.0.90`.
4. Locate the downloaded .RFU file for the MFP.
5. Drag and drop the .RFU file onto the **PORT1** icon in the browser window.



NOTE The MFP turns off and then on automatically to activate the update. When the update process is complete, a **Ready** message displays on the MFP control panel.

Using FTP to upgrade the firmware on a network connection



NOTE The MFP can receive an .RFU file update as long as it is in a "ready" state.

The elapsed time for an update depends on the I/O transfer time, as well as the time that it takes for the MFP to reinitialize. The I/O transfer time depends on a number of things, including the speed of the host computer that is sending the update. If the remote firmware update process is interrupted before the firmware is downloaded (while **Receiving upgrade** appears on the control-panel display), the firmware file must be sent again. If power is lost during the flash DIMM update (while the **Performing upgrade** message appears on the control-panel display), the update is interrupted and the message **Resend upgrade** appears (in English only) on the control-panel display. In this case, you must send the upgrade by using the parallel port. Finally, any jobs that are ahead of the RFU job in the queue are completed before the update is processed.

Follow these instructions to perform the upgrade by using FTP.



NOTE The firmware update involves a change in the format of nonvolatile random-access memory (NVRAM). Any menu settings that are changed from the default settings might return to default settings and must be changed again if you want settings that are different from the defaults.

To upgrade the firmware on a network connection by using FTP

1. Take note of the IP address on the HP Jetdirect page. The HP Jetdirect page is the second page that prints when you print the configuration page.



NOTE Before upgrading the firmware, make sure that the MFP is not in Sleep mode. Also make sure that any error messages are cleared from the control-panel display.

2. Open an MS-DOS command prompt on your computer.
3. Type: `ftp TCP/IP ADDRESS>`. For example, if the TCP/IP address is 192.168.0.90, type `ftp 192.168.0.90`.
4. Go to the folder where the firmware file is stored.
5. Press **Enter** on the keyboard.
6. When prompted for the user name, press **Enter**.
7. When prompted for the password, press **Enter**.
8. Type `bin` at the command prompt.
9. Press **Enter**. The message **200 Types set to I, Using binary mode to transfer files** appears in the command window.
10. Type `put` and then the file name (for example, if the file name is 4730mfp.efn, type `4730mfp.efn`).
11. **200 PORT command successful**

150 Opening BINARY mode data connection

-or-

226 Ready

-or-

226 Processing Job

-or-

226 Transfer complete

12. The download process begins and the firmware is updated on the MFP. This can take approximately five minutes. Let the process finish without further interaction with the MFP or computer.



NOTE The MFP automatically turns off and then on again after processing the upgrade.

13. At the command prompt, type: `bye` to exit the ftp command.
14. At the command prompt, type: `exit` to return to the Windows interface.

Using HP Web Jetadmin to upgrade the firmware

This procedure requires that you install HP Web Jetadmin Version 7.0 or later on your computer. See [Using HP Web Jetadmin software](#). Complete the following steps to update a single device through HP Web Jetadmin after downloading the .RFU file from the HP Web site.

1. Start HP Web Jetadmin.
2. Open the **Device Management** folder in the drop-down list in the **Navigation** panel. Navigate to the **Device Lists** folder.
3. Expand the **Device Lists** folder and select **All Devices**. Locate the MFP in the list of devices, and then click to select it.

If you need to upgrade the firmware for multiple HP Color LaserJet 4730mfp series MFPs, select all of them by pressing the **Ctrl** key as you click the name of each MFP.

4. Locate the drop-down box for **Device Tools** in the upper-right corner of the window. Select **Update Printer Firmware** from the action list.
5. If the name of the .RFU file is not listed in the **All Available Images** box, click **Browse** in the **Upload New Firmware Image** dialog box and navigate to the location of the .RFU file that you downloaded from the Web at the start of this procedure. If the filename is listed, select it.
6. Click **Upload** to move the .RFU file from your hard drive to the HP Web Jetadmin server. After the upload is complete, the browser window refreshes.
7. Select the .RFU file from the **Printer Firmware Update** drop-down menu.
8. Click **Update Firmware**. HP Web Jetadmin sends the selected .RFU file to the MFP. The control panel shows messages that indicate the progress of the upgrade. At the end of the upgrade process, the control panel shows the **Ready** message.

Using MS-DOS commands to upgrade the firmware

To update the firmware by using a network connection, follow these instructions.

1. From a command prompt or in an MS-DOS window, type the following: `copy /B FILENAME> \\
<COMPUTERNAME>\<SHARENAME>`, where <FILENAME> is the name of the .RFU file (including the path), <COMPUTERNAME> is the name of the computer from which the MFP is being shared, and <SHARENAME> is the MFP share name. For example: `C:\>copy /b C:\9200fw.RFU \\
\YOUR_SERVER\YOUR_COMPUTER.`



NOTE If the file name or path includes a space, you must enclose the file name or path in quotation marks. For example, type: `C:\>copy /b "C:\MY DOCUMENTS
\3500FW.RFU" \\
\YOUR_SERVER\YOUR_COMPUTER.`

2. Press **Enter** on the keyboard. The control panel shows a message that indicates the progress of the firmware upgrade. At the end of the upgrade process, the control panel shows the **Ready** message. The message **1 file(s) copied** appears on the computer screen.

Using the HP Jetdirect firmware

The HP Jetdirect network interface in the MFP has firmware that can be upgraded separately from the MFP firmware. This procedure requires that you install HP Web Jetadmin Version 7.0 or later on your computer. See [Using HP Web Jetadmin software](#). Complete the following steps to update the HP Jetdirect firmware by using HP Web Jetadmin.

1. Open the HP Web Jetadmin program.
2. Open the **Device Management** folder in the drop-down list in the **Navigation** panel. Navigate to the **Device Lists** folder.
3. Select the device that you want to update.
4. In the **Device Tools** drop-down list, select **Jetdirect Firmware Update**.
5. Under **Jetdirect firmware version** the HP Jetdirect model number and current firmware version are listed. Make a note of these.
6. Go to http://www.hp.com/go/wja_firmware.
7. Scroll down to the list of HP Jetdirect model numbers and find the model number you wrote down.
8. Look at the current firmware version for the model, and see if it is later than the version you wrote down. If it is, right-click on the firmware link, and follow the instructions on the Web page to download the new firmware file. The file must be saved into the <drive>:\PROGRAM FILES \HP WEB JETADMIN\DOC\PLUGINS\HPWJA\FIRMWARE\JETDIRECT folder on the computer that is running the HP Web Jetadmin software.
9. In HP Web Jetadmin, return to the main device list and select the digital sender again.
10. In the **Device Tools** drop-down list, select **Jetdirect Firmware Update** again.
11. On the HP Jetdirect firmware page, the new firmware version is listed under **Jetdirect Firmware Available on HP Web Jetadmin**. Click the **Update Firmware Now** button to update the Jetdirect firmware.

Managing print cartridges

Be sure to use genuine HP print cartridges for the best printing results. This section provides information on proper use and storage of HP print cartridges. It also provides information about using non-HP print cartridges.

HP print cartridges

When you use a genuine new HP print cartridge, you can obtain the following supplies information:

- Percentage of supplies remaining
- Estimated number of pages remaining
- Number of pages printed



NOTE See [Supplies and accessories](#) for cartridge ordering information.

Non-HP print cartridges

Hewlett-Packard Company cannot recommend use of non-HP print cartridges, either new or remanufactured. Because they are not genuine HP products, HP cannot influence their design or control their quality. Service or repair required as a result of using a non-HP print cartridge *will not* be covered under the MFP warranty.

When you use a non-HP print cartridge, certain features, such as remaining toner volume data may not be available as a result of using this non-HP supply.

If the non-HP print cartridge was sold to you as a genuine HP product, see [HP fraud hotline](#).

Print cartridge authentication

The HP Color LaserJet 4730mfp series automatically authenticates the print cartridges when the cartridges are inserted into the MFP. During authentication, the MFP will let you know if a cartridge is a genuine HP print cartridge.

If the MFP control panel message states that this is not a genuine HP print cartridge and you believe you purchased an HP print cartridge, call the HP fraud hotline.

To override a non-HP print cartridge error message, touch **OK**.

HP fraud hotline

Call the HP fraud hotline (1-877-219-3183, toll-free in North America) when you install an HP print cartridge and the MFP message says the cartridge is non-HP. HP will help determine if the product is genuine and take steps to resolve the problem.

Your print cartridge might not be a genuine HP print cartridge if you notice the following:

- A high number of problems with the print cartridge.
- The cartridge does not look like it usually does (for example, the packaging differs from HP packaging).

Print cartridge storage

Do not remove the print cartridge from its package until you are ready to use it.



CAUTION To prevent damage to the print cartridge, do not expose it to light for more than a few minutes.

Table 11-1 Print cartridge temperature specifications

Environmental condition	Recommended	Allowed	Storage/standby
Temperature (print cartridge)	17° to 25°C (62.6° to 77°F)	15° to 30°C (59° to 78°F)	-20° to 40°C (-4° to 104°F)

Print cartridge life expectancy

The life of the print cartridge depends on usage patterns and the amount of toner that print jobs require. HP print cartridges last an average of 12,000 pages when printing on letter or A4-size paper at 5% coverage for each print cartridge. Usage conditions and print patterns may cause actual results to vary.

At any time, you can verify the life expectancy by checking the toner level, as described below.

Checking the print cartridge life

You can check the print cartridge life using the MFP control panel, the embedded Web server, MFP software, HP Easy Printer Care Software, or HP Web Jetadmin software.

Using the MFP control panel

1. Press **Menu**.
2. Touch **INFORMATION**.
3. Touch **PRINT SUPPLIES STATUS PAGE**.

Using the embedded Web server

1. In your browser, enter the IP address for the printer home page. This takes you to the printer status page. See [Supplies status page](#).
2. On the left side of the screen, click **Supplies Status**. This takes you to the supplies status page, which provides print cartridge information.

Using HP Easy Printer Care Software

In the **Overview** tab in the **Supplies Status** section, click **Supplies Details** to open the supplies status page.

Using HP Web Jetadmin

In HP Web Jetadmin, select the printer device. The device status page shows print cartridge information.

Changing print cartridges

When a print cartridge approaches the end of its useful life, the control panel displays a message recommending that you order a replacement. The MFP can continue to print using the current print cartridge until the control panel displays a message instructing you to replace the cartridge.

The MFP uses four colors and has a different print cartridge for each color: black (K), magenta (M), cyan (C), and yellow (Y).

Replace a print cartridge when the MFP control panel displays a **REPLACE <COLOR> CARTRIDGE** message. The control panel display will also indicate the color that should be replaced (if a genuine HP cartridge is currently installed).



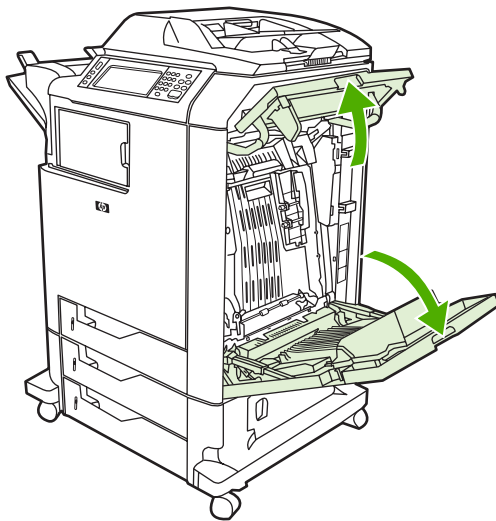
CAUTION If toner gets on clothing, wipe it off with a dry cloth and wash the clothes in cold water. Hot water sets toner into fabric.



NOTE For information about recycling used print cartridges, see [Environmental Product Stewardship program](#), or visit the HP LaserJet Supplies website at <http://www.hp.com/go/recycle>.

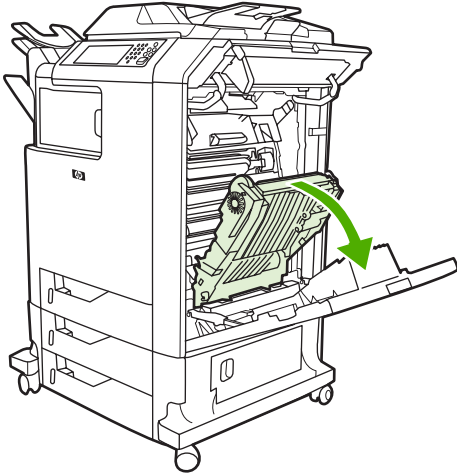
To replace the print cartridge

1. Using the handles, open the covers on the right side of the MFP.



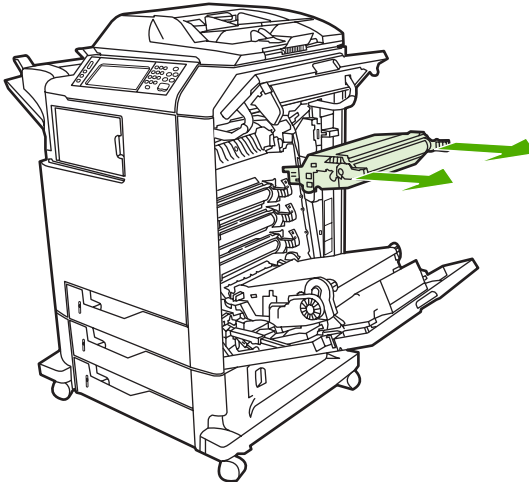
CAUTION The fuser might be hot.

2. Grasp the green handle on the transfer unit and pull down to open it.



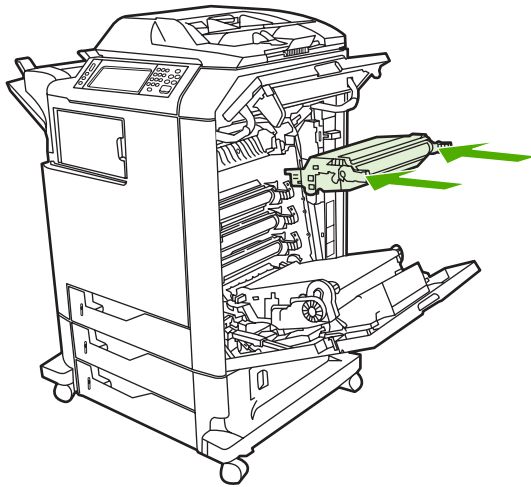
CAUTION Do not place any item on the transfer unit while it is open. If the transfer unit is punctured, print quality problems may result.

3. Remove the used print cartridge from the MFP.



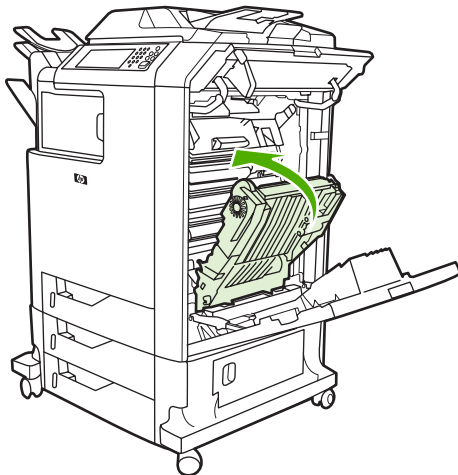
4. Remove the new print cartridge from the bag. Place the used print cartridge in the bag for recycling.

5. Align the print cartridge with the tracks inside the MFP and insert the cartridge until it is completely seated.

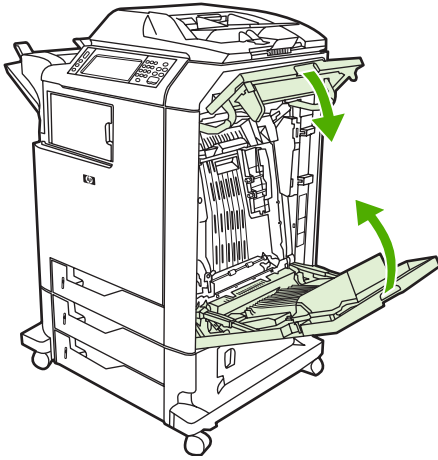


NOTE If a cartridge is in the wrong slot, the control panel will display the message **INCORRECT <COLOR> CARTRIDGE.**

6. Close the transfer unit.



7. Close the covers on the right side of the MFP. After a short while, the control panel should display **Ready**.



8. Installation is complete. Place the used print cartridge in the box in which the new cartridge arrived. See the enclosed recycling guide for recycling instructions.
9. If you are using a non-HP print cartridge, check the control panel for further instructions.

For additional help, go to <http://www.hp.com/support/clj4730mfp>.

Replacing supplies

When you use genuine HP supplies, the MFP automatically notifies you when supplies are nearly depleted. The notification to order supplies allows ample time to order new supplies before they need to be replaced. For more information about ordering supplies, see [Supplies and accessories](#)

Locating supplies

Supplies are identified by their labeling and their blue plastic handles.

The following figure illustrates the location of each supply item.

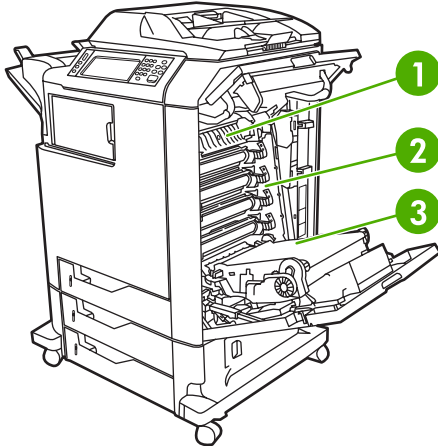


Figure 11-1 Supply item locations

1	Fuser
2	Print cartridges
3	Transfer unit

For information about staple cartridges, see [Stapling documents](#).

Supply replacement guidelines

To facilitate the replacement of supplies, keep the following guidelines in mind when setting up the MFP.

- Allow sufficient space above and in the front of the MFP for removing supplies.
- The MFP should be located on a flat, sturdy surface.

For instructions on installing supplies, see the installation guides provided with each supply item or see more information at <http://www.hp.com/support/clj4730mfp>. When you connect, select **Solve a Problem**.



CAUTION Hewlett-Packard recommends the use of genuine HP products in this MFP. Use of non-HP products may cause problems requiring service that is not covered by the Hewlett-Packard extended warranty or service agreements.

Making room around the MFP for replacing supplies

The following illustration shows the clearance necessary in front of, above, and to the side of the MFP for replacing supplies.

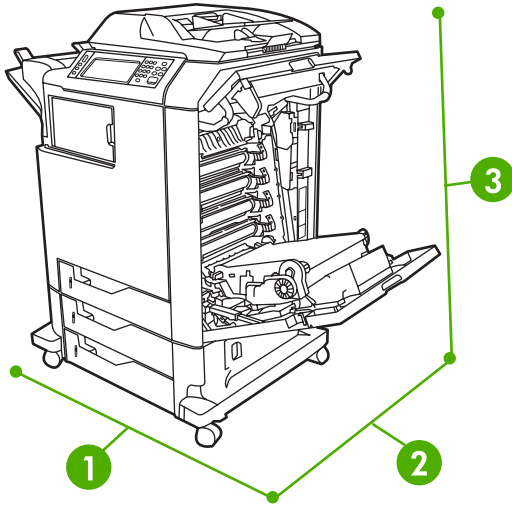


Figure 11-2 Supplies replacement clearance diagram

1	1160 mm (45.7 inches). If stapler/stacker or 3-bin mailbox is installed: 1460 mm (57.5 inches).
2	980 mm (38.6 inches)
3	1050 mm (41.4 inches)

Approximate replacement intervals for supplies

The following table lists the estimated replacement intervals for supplies and the control panel messages that prompt when to replace each item. Usage conditions and print patterns may cause results to vary.

Item	Printer message	Page count	Approximate time period
Black cartridges	REPLACE BLACK CARTRIDGE	12,000 pages ¹	3 months
Color cartridges	REPLACE <COLOR> CARTRIDGE	12,000 pages ¹	3 months
Image transfer kit	REPLACE TRANSFER KIT	120,000 pages ²	40 months
Image fuser kit	REPLACE FUSER KIT	150,000 pages	50 months

¹ Approximate average A4-/letter-size page count based on 5% coverage of individual colors.

² Approximate life is based on 4,000 pages per month.

You can use the embedded Web server to order supplies. For more information, see [Using the embedded Web server](#).

Performing preventive maintenance

The MFP requires periodic maintenance to maintain optimum performance. A control-panel message alerts you when it is time to purchase the preventive maintenance kits. Separate maintenance procedures are required for the printer-portion of the MFP and for the ADF.

ADF maintenance kit

After feeding 90,000 pages through the ADF, a **REPLACE DOCUMENT FEEDER KIT** message appears on the control-panel display. This message appears approximately one month before the kit needs to be replaced. Order a new kit when this message appears. See [Part numbers](#) for information about ordering a new ADF maintenance kit.

The ADF maintenance kit includes the following items:

- One pick-up roller assembly
- One separation pad
- One mylar sheet kit
- An instruction sheet

Follow the instructions that come with the kit to install it.

After replacing the kit, reset the ADF maintenance-kit count.

To reset the ADF maintenance-kit count

1. Turn the MFP off and then on.
2. When XXXMB appears on the control-panel display, press and hold **6** until all three LEDs flash once and then stay on. (This might take up to 20 seconds.)
3. Release **6** and then press **3** twice.
4. Press **6** to select **NEW DOCUMENT FEEDER KIT**.
5. The MFP completes its initialization sequence. The ADF maintenance-kit counter is automatically reset.

Cleaning the MFP

To maintain print quality, clean the MFP thoroughly whenever print-quality problems occur and every time you replace the print cartridge.



WARNING! Avoid touching the fusing area when cleaning the MFP. It can be hot.



CAUTION To avoid permanent damage to the print cartridge, do not use ammonia-based cleaners on or around the MFP except as directed.

Cleaning the outside of the MFP

- Clean the outside of the MFP if it is visibly marked.
- Use a soft, lint-free cloth dampened with water, or water and a mild detergent.

Cleaning the touchscreen

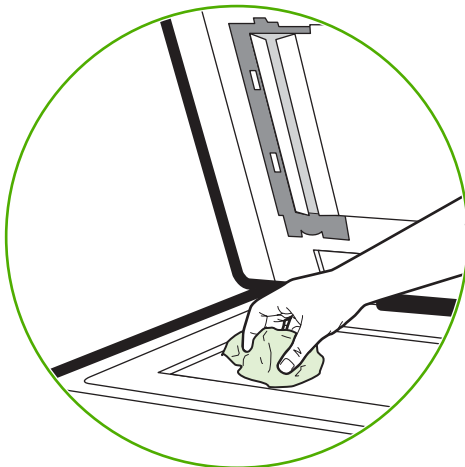
Clean the touchscreen whenever it is necessary to remove fingerprints or dust. Wipe the touchscreen gently with a clean, water-dampened, lint-free cloth.



CAUTION Use water only. Solvents or cleaners can damage the touchscreen. Do not pour or spray water directly onto the touchscreen.

To clean the scanner glass

- Clean the scanner glass only if dirt is visible, or if you are experiencing a decrease in copy quality, such as streaking.
- Clean the scanner glass by wiping it gently with a clean, slightly damp, lint-free cloth. Use an ammonia-based surface cleaner only when a water-dampened cloth does not clean the scanner glass.



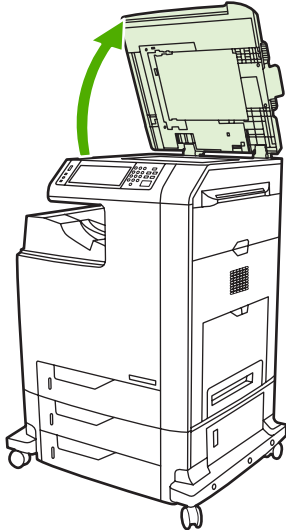
CAUTION Do not pour or spray liquids directly onto the scanner glass. Do not press hard on the glass surface. (You could break the glass).

Cleaning the ADF delivery system

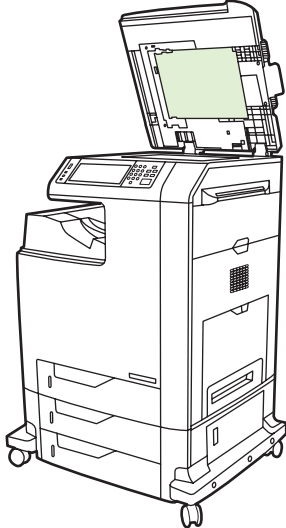
Clean the ADF only if it is visibly marked or dirty, or if you are experiencing a decrease in copy quality (such as streaking).

To clean the ADF delivery system

1. Open the scanner lid.

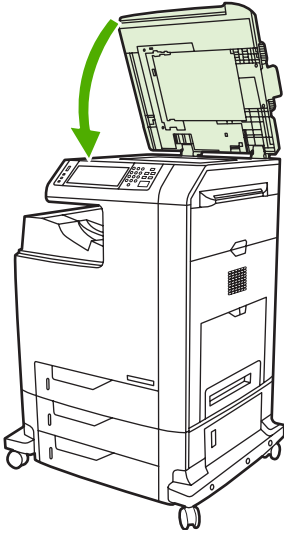


2. Locate the white, vinyl ADF backing.



3. Clean the ADF backing by wiping them with a clean, damp, lint-free cloth. Use an ammonia-based surface cleaner only when a water-dampened cloth does not clean the ADF components.
4. Clean the scanner glass by wiping it gently with a clean, slightly damp, lint-free cloth. Use an ammonia-based surface cleaner only when a water-dampened cloth does not clean the scanner glass.

5. Close the scanner lid.



To clean the ADF rollers

You should clean the rollers in the ADF if you are experiencing misfeeds or if your originals show marks as they exit the ADF.

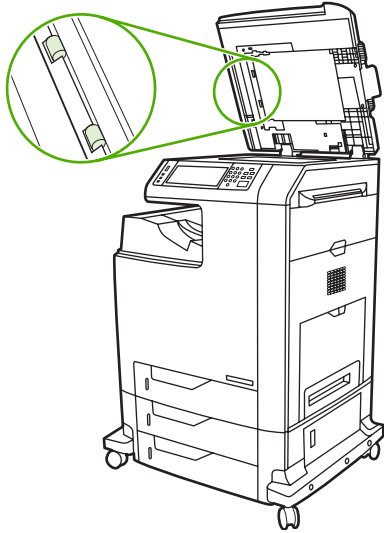


CAUTION Clean the rollers only if you experience misfeeds or marks on the originals, and you notice dust on the rollers. Cleaning the rollers frequently could introduce dust into the device.

1. Open the scanner lid.



2. Locate the rollers near the white vinyl ADF backing.

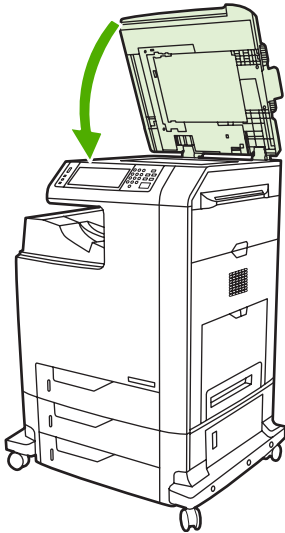


3. Wipe the rollers gently with a clean, water-dampened, lint-free cloth.

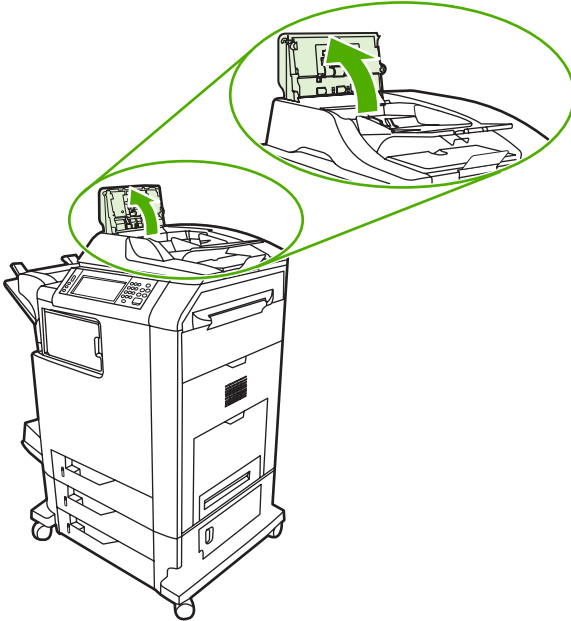


CAUTION Do not pour water directly onto the rollers. Doing so might damage the device.

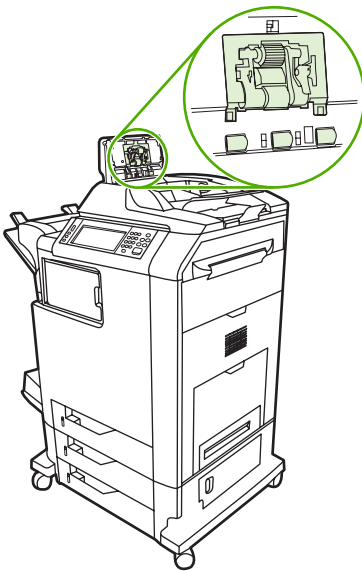
4. Close the scanner lid.



5. Pull the release lever to open the ADF cover.



6. Locate the rollers.

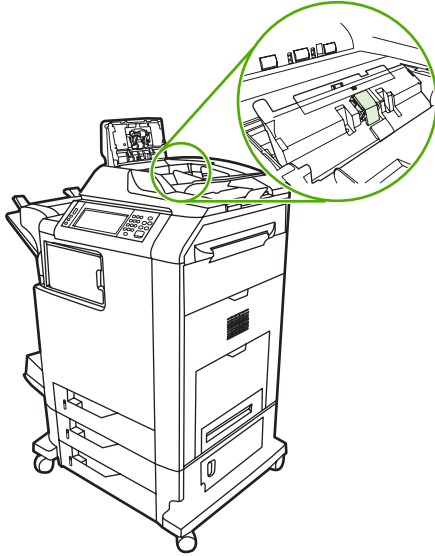


7. Wipe the rollers with a clean, water-dampened, lint-free cloth.

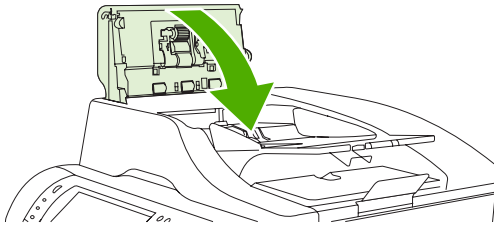


CAUTION Do not pour water directly onto the rollers. Doing so might damage the device.

8. Locate the separation pad.



9. Wipe the pad with a clean, water-dampened, lint-free cloth.
10. Close the ADF cover.



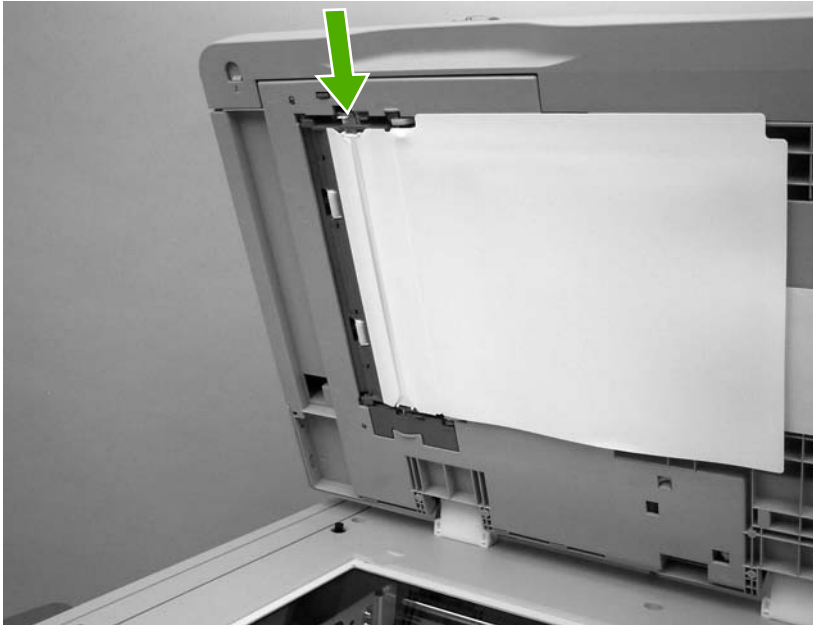
Cleaning the mylar strip

Clean the mylar strips on the underside of the scanner lid only if you are experiencing a decrease in copy quality (such as vertical lines) during copying using the ADF.

To clean the mylar strip

1. Open the scanner lid.

2. Locate the mylar strip.



3. Clean the mylar strip with a clean, damp, lint-free cloth.
4. Close the scanner lid.



NOTE Replacement mylar strips are stored in an envelope that is underneath the white vinyl ADF backing. Follow the instructions that are in the envelope.

Calibrating the scanner

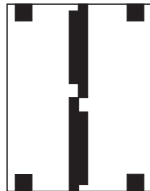
Calibrate the scanner to compensate for offsets in the scanner imaging system (carriage head) for ADF and flatbed scans. Because of mechanical tolerances, the scanner's carriage head might not read the position of the image accurately. During the calibration procedure, scanner offset values are calculated and stored. The offset values are then used when producing scans so that the correct portion of the document is captured.

Scanner calibration should be carried out only if you notice offset problems with the scanned images. The scanner is calibrated before it leaves the factory. It needs to be calibrated again only rarely.

Before calibrating the scanner, print the calibration target.

To print the calibration target

1. Place letter- or A4-size paper in tray 1, and adjust the side guides.
2. Press **Menu** to enter the menus.
3. Scroll to and touch **DIAGNOSTICS**.
4. Scroll to and touch **CALIBRATE SCANNER**.
5. Touch **OK** to print the first pass of the calibration target.
6. Place the first pass of the calibration target face-down in tray 1 so that the arrows are facing into the MFP.
7. Touch **OK** to print the second pass. The final calibration target *must* look like the following figure.



CAUTION If the calibration target does not look like the figure shown here, the calibration process will fail and the quality of scans will be degraded. *The black areas must extend completely to the short edges of the page. If they do not, use a black marker to extend the black areas to the edge of the page.* Ensure that the paper is loaded properly.

8. Place the calibration target face-up into the ADF, and adjust the side guides.
9. After the calibration target has passed through the ADF once, reposition it face down in the ADF and touch **OK**.
10. Place the calibration target face-down on the scanner glass, touch **OK**, and scan the page. After this pass, the calibration is complete. If the calibrations is successful, the control panel will display **Scanner calibration successful**.

12 Solving problems

This chapter provides information about the following topics.

- [Solving general problems](#)
- [Determining MFP problems](#)
- [Troubleshooting information pages](#)
- [Control panel message types](#)
- [Control panel messages](#)
- [Paper jams](#)
- [Clearing jams](#)
- [Media-handling problems](#)
- [Understanding MFP messages](#)
- [Understanding accessory lights for the 3-bin mailbox and stapler/stacker](#)
- [Understanding lights on the formatter](#)
- [Color printing problems](#)
- [Correcting print quality and copy quality problems](#)
- [Solving e-mail problems](#)
- [Solving network connectivity problems](#)
- [Troubleshooting common Macintosh problems](#)

Solving general problems

If the MFP is not responding properly, complete the steps in the following checklist, in order. If the MFP does not pass a step, follow the corresponding troubleshooting suggestions. If a step resolves the problem, you can stop without performing the other steps on the checklist.

Troubleshooting checklist

1. Make sure the MFP Ready light is on. If no lights are on, complete these steps:
 - a. Check the power-cable connections.
 - b. Check that the power switch is on.
 - c. Check the power source by plugging the MFP directly into the wall or into a different outlet.
 - d. If none of these measures restores power, contact HP Customer Care. (See [HP customer care](#) or the support flyer that came in the MFP box.)
2. Check the cabling.
 - a. Check the cable connection between the MFP and the computer or network port. Make sure that the connection is secure.
 - b. Make sure that the cable itself is not faulty by using a different cable, if possible.
 - c. Check the network connection. See [Solving network connectivity problems](#).
3. Ensure that the print media that you are using meets specifications. See [Print media specifications](#).
4. Print a configuration page (see [Configuration page](#). If the MFP is connected to a network, an HP Jetdirect page also prints.)
 - a. If the pages do not print, check that at least one tray contains print media.
 - b. If the page jams in the MFP, see [Clearing jams](#).
5. If the configuration page prints, check the following items.
 - a. If the page prints correctly, then the MFP hardware is working. The problem is with the computer you are using, with the printer driver, or with the program.
 - b. If the page does not print correctly, the problem is with the MFP hardware. Contact HP Customer Care. (See [HP customer care](#) or the support flyer that came in the MFP box.)
6. Select one of the following options:

Windows: Click **Start**, click **Settings**, and then click **Printers**, or **Printers and Faxes**. Double click **HP Color LaserJet 4730mfp**.

-or-

Mac OS X: Open **Print Center**, (or **Printer Setup Utility** for Mac OS X v. 10.3), and double-click the line for the **HP Color LaserJet 4730mfp**.
7. Verify that you have installed the HP Color LaserJet 4730mfp series printer driver. Check the program to make sure that you are using an HP Color LaserJet 4730mfp series printer driver.

8. Print a short document from a different program that has worked in the past. If this solution works, then the problem is with the program you are using. If this solution does not work (the document does not print) complete these steps:
 - a. Try printing the job from another computer that has the MFP software installed.
 - b. If you connected the MFP to the network, connect the MFP directly to a computer with a parallel cable. Redirect the MFP to the correct port, or reinstall the software, selecting the new connection type that you are using.
9. If the problem is still not resolved, see [Determining MFP problems](#).

Determining MFP problems

Situation/Message	Solution
The control-panel display is blank, and internal fans are not running.	Make sure that the MFP power is on. Press all the keys to see if one is stuck. Contact your HP-authorized service representative if these steps do not work. See HP customer care .
The MFP is turned on, but the internal fans are not running.	Make sure that the line voltage is correct for the MFP power configuration. (See the label that is inside the top cover on the MFP for voltage requirements.) If you are using a power strip and its voltage is not within specification, plug the MFP directly into the power receptacle.
The MFP voltage is not correct.	Make sure that the line voltage is in the correct range. (See the label that is inside the top cover on the MFP for voltage requirements.)
Messages appear on the control-panel display.	See Understanding MFP messages .
Print media is jammed in the MFP.	Check for jams. For more information, see Clearing jams .
The control-panel display shows the wrong language or unfamiliar characters.	Reconfigure the control-panel display language. <ol style="list-style-type: none">1. Turn the MFP off and then on.2. When XXXMB appears on the control-panel display, press and hold 6 until all three LEDs flash once and then stay on. (This might take up to 20 seconds.3. Release 6 and then press 6 again.4. Wait while the MFP completes its initialization sequence. When it is finished, the Select A Language menu appears on the control-panel display. Scroll to and touch the correct language.
An error occurs during a Digital Send job. Job failed.	The MFP experienced an error during the digital sending job. The administrator should check on the status of the SMTP server. See Solving e-mail problems .
The e-mail gateway could not accept the job because the attachment is too large.	Reduce the size of the e-mail attachment by setting the maximum attachment size. Set the maximum attachment size on the Digital Sending tab of the embedded Web server. See Using the embedded Web server . Try using a different file format or sending the document a few pages at a time.
A network connection is required for digital sending	The MFP cannot find a network connection. The administrator should check to see if the MFP is connected to the network. See Solving network connectivity problems .

Troubleshooting information pages

From the MFP control panel, you can print pages that can help diagnose MFP problems. The procedures for printing the following information pages are described here:

- Configuration page



NOTE It is recommended that you print a configuration page before beginning any MFP diagnostics.

- Paper path test page
- Registration page
- Event log

Configuration page

Use the configuration page to view or restore current MFP settings, to help troubleshoot MFP problems, or to verify installation of optional accessories, such as DIMMs, paper handling accessories, and printer languages.

1. Press **Menu** to enter the **MENUS**.
2. Touch **INFORMATION**.
3. Touch **PRINT CONFIGURATION**.

The message **Printing... CONFIGURATION** appears on the display until the MFP finishes printing the configuration page. The MFP returns to the **Ready** state after printing.



NOTE If the MFP is configured with an HP Jetdirect print server, external duplexer, or stapler/stacker, an additional configuration page will print that provides information about those devices.

Paper path test page

The **Paper Path Test** page is useful for testing the paper handling features of the MFP. You can define the paper path you want to test by selecting the source, destination, and other options available on the MFP.

1. Press **Menu** to enter the **MENUS**.
2. Touch **DIAGNOSTICS**.
3. Touch **PAPER PATH TEST**.

The message **Performing... PAPER PATH TEST** appears on the display until the MFP finishes the paper path test. The MFP returns to the **Ready** state after printing the paper path test page.

Registration page

The **Registration** page prints a horizontal arrow and a vertical arrow that show how far from center an image can be printed on the page. You can set registration values for a tray so that an image on the

back and front of a page is centered. Image placement varies slightly for each tray. Perform the registration procedure for each tray.

1. Press **Menu** to enter the **MENUS**.
2. Touch **CONFIGURE DEVICE**.
3. Touch **PRINT QUALITY**.
4. Touch **SET REGISTRATION**.



NOTE You can select a tray by specifying a **SOURCE**. The default **SOURCE** is Tray 2. To keep the registration for Tray 2, go to step 7. Otherwise, proceed to the next step.

5. Touch **SOURCE**.
6. Select a tray.
After selecting the tray, the MFP control panel returns to the **SET REGISTRATION** menu.
7. Touch **PRINT TEST PAGE**.
8. Follow the instructions on the printed page.

Event log

The event log lists the MFP events, including MFP jams, service errors, and other MFP conditions.

1. Press **Menu** to enter the **MENUS**.
2. Touch **DIAGNOSTICS**.
3. Touch **PRINT EVENT LOG**.

The message **Printing... EVENT LOG** appears on the display until the MFP finishes printing the event log. The MFP returns to the **Ready** state after printing the event log.

Control panel message types

Control panel messages are divided into three types, depending on their severity.

- Status messages
- Warning messages
- Error messages

Within the error message category, some messages are ranked as *Critical* error messages. This section explains the differences between the control panel message types.

Status messages

Status messages reflect the current state of the MFP. They inform you of normal MFP operation and require no interaction to clear them. They change as the state of the MFP changes. Whenever the MFP is ready, not busy, and has no pending warning messages, the status message **Ready** is displayed if the MFP is online.

Warning messages

Warning messages inform you of data and print errors. These messages typically alternate with the **Ready** or **Status** messages and remain displayed until the error is cleared. If **CLEARABLE WARNINGS** is set to **JOB** in the MFP's configuration menu, these messages are cleared by the next print job.

Error messages

Error messages communicate that some action must be performed, such as adding paper or clearing a paper jam.

Some error messages are auto-continuable; if **AUTO CONTINUE=ON** the MFP will continue normal operation after displaying an auto-continuable error message for 10 seconds.



NOTE Any button pressed during the 10-second display of an auto-continuable error message will override the auto-continue feature and the function of the button pressed will take precedence. For example, pressing the **Menu** button will display the main menu.

Critical error messages

Critical error messages inform you of a device failure. Some of these messages can be cleared by turning the MFP off and then on. These messages are not affected by the **AUTO CONTINUE** setting. If a critical error persists, service is required.

The following table lists and describes control panel messages, in numeric and alphabetical order.

Control panel messages

Message listing

Control panel message	Description	Recommended action
10.00.YY SUPPLY MEMORY ERROR alternates with Press ? for more information. The supplies gauge will display the consumption levels of print cartridges.	The MFP cannot read or write to at least one print cartridge memory tag. The values of YY are: 00 = black print cartridge 01 = cyan print cartridge 02 = magenta print cartridge 03 = yellow print cartridge	<ol style="list-style-type: none"> 1. Turn the MFP off then on. 2. Reinstall the print cartridge corresponding to the appropriate error, or install a new print cartridge if available. 3. Press ? for more information. 4. If the error persists, contact HP Support at http://www.hp.com/support/clj4730mfp.
10.10.YY SUPPLY MEMORY ERROR alternates with Press ? for more information. The supplies gauge will display the consumption levels of print cartridges.	A memory tag is missing from at least one print cartridge. The values of YY are: 00 = black print cartridge 01 = cyan print cartridge 02 = magenta print cartridge 03 = yellow print cartridge	<ol style="list-style-type: none"> 1. Turn the MFP off then on. 2. Reinstall the print cartridge corresponding to the appropriate error, or install a new print cartridge if available. 3. Press ? for more information.
10.90.XY REPLACE [COLOR] CARTRIDGE For help press ?	A color cartridge is out of toner and needs to be replaced.	Replace the color cartridge.
10.92.YY CARTRIDGES NOT ENGAGED	The print cartridge is not seated properly in the MFP.	Remove and reinstall the print cartridge.
11.X INTERNAL CLOCK ERROR To continue touch "OK".	This message is displayed when there is a problem with the real-time clock on the formatter board. XX=01 Dead clock battery XX=02 Dead real-time clock	Touch OK to continue. If this error occurs, the MFP will continue to track the time and date using the processor clock until the MFP is turned off. Unless the error is corrected, you will be prompted to reset the date and time whenever the MFP is turned off then on.
13.XX.YY EXTERNAL OUTPUT DEVICE PAPER JAM	There is a jam in the stapler/stacker.	<ol style="list-style-type: none"> 1. Press ? for detailed information about clearing the jam. 2. Use the scroll bar to step through the instructions. 3. If the message persists after clearing all pages, contact HP Support at http://www.hp.com/support/clj4730mfp.


Control panel message	Description	Recommended action
13.XX.YY JAM IN DUPLEX PATH For help press ?	There is a jam in the duplex path.	<ol style="list-style-type: none"> 1. Press ? for detailed information about clearing the jam. 2. Use the scroll bar to step through the instructions. 3. For more information, see Clearing jams. 4. If the message persists after clearing all pages, contact HP Support at http://www.hp.com/support/clj4730mfp.
13.XX.YY JAM IN PAPER PATH For help press ?	There is a jam in the paper path.	<ol style="list-style-type: none"> 1. Press ? for detailed information about clearing the jam. 2. Use the scroll bar to step through the instructions. 3. For more information, see Clearing jams. 4. If the message persists after clearing all pages, contact HP Support at http://www.hp.com/support/clj4730mfp.
13.XX.YY JAM IN STAPLER For help press ?	A staple is jammed in the stapler. Check the stapler/stacker for jammed staples. For more information, see Jam in the stapler/stacker .	<ol style="list-style-type: none"> 1. Press ? for detailed information about clearing the jam. 2. Use the scroll bar to step through the instructions. 3. If the message persists after clearing all pages, contact HP Support at http://www.hp.com/support/clj4730mfp.
13.XX.YY JAM IN TRAY 1 Clear jam then touch OK	Paper is jammed in Tray 1.	<ol style="list-style-type: none"> 1. Press ? for detailed information about clearing the jam. 2. Use the scroll bar to step through the instructions. 3. For more information, see Clearing jams. 4. If the message persists after clearing all pages, contact HP Support at http://www.hp.com/support/clj4730mfp.
13.XX.YY JAM IN TRAY X For help press ?	A page is jammed in Tray 2, 3, or 4.	<ol style="list-style-type: none"> 1. Press ? for detailed information about clearing the jam. 2. Use the scroll bar to step through the instructions. 3. For more information, see Clearing jams. 4. If the message persists after clearing all pages, contact HP Support at http://www.hp.com/support/clj4730mfp.

Control panel message	Description	Recommended action
13.XX.YY JAM IN TOP COVER OR DUPLEX AREA For help press ?	There is a jam in the top cover area.	<ol style="list-style-type: none"> 1. Press ? for detailed information about clearing the jam. 2. Use the scroll bar to step through the instructions. 3. For more information, see Clearing jams. 4. If the message persists after clearing all pages, contact HP Support at http://www.hp.com/support/clj4730mfp.
13.XX.YY JAM INSIDE DUPLEXER For help press ?	Paper is jammed in the duplexer. Check the device for jammed paper.	<ol style="list-style-type: none"> 1. Press ? for detailed information about clearing the jam. 2. Use the scroll bar to step through the instructions. 3. For more information, see Clearing jams. 4. If the message persists after clearing all pages, contact HP Support at http://www.hp.com/support/clj4730mfp.
13.XX.YY JAM INSIDE LEFT OUTPUT AREA For help press ?	Paper is jammed in the output area.	<ol style="list-style-type: none"> 1. Follow the instructions in the onscreen dialog box. 2. For more information, see Clearing jams. 3. If the message persists after clearing all pages, contact HP Support at http://www.hp.com/support/clj4730mfp.
13.XX.YY MULTIPLE JAMS IN DUPLEX PATH For help press ?	There are multiple jams in the duplex path. This includes the top cover area.	<ol style="list-style-type: none"> 1. Press ? for detailed information about clearing the jam. 2. Use the scroll bar to step through the instructions. 3. For more information, see Clearing jams. 4. If the message persists after clearing all pages, contact HP Support at http://www.hp.com/support/clj4730mfp.
13.XX.YY MULTIPLE JAMS IN PAPER PATH For help press ?	There are multiple jams in the paper path. This includes the top cover area.	<ol style="list-style-type: none"> 1. Press ? for detailed information about clearing the jam. 2. Use the scroll bar to step through the instructions. 3. For more information, see Clearing jams. 4. If the message persists after clearing all pages, contact HP Support at http://www.hp.com/support/clj4730mfp.

Control panel message	Description	Recommended action
13.XX.YYJAM IN OUTPUT DEVICE For help press ?	Paper is jammed in an external paper handling device.	Check the duplexer or the stapler/stacker for jammed paper. For more information, see Jam in the stapler/stacker . 1. Press ? for detailed information about clearing the jam. 2. Use the scroll bar to step through the instructions. 3. If the message persists after clearing all pages, contact HP Support at http://www.hp.com/support/clj4730mfp .
20 INSUFFICIENT MEMORY For help press ? alternates with 20 INSUFFICIENT MEMORY To continue touch "OK".	The MFP has received more data from the computer than fits in available memory.	1. Touch OK to continue printing.  NOTE A loss of data will occur. 2. Reduce the complexity of the print job to avoid this error in the future. 3. Adding memory to the MFP may allow printing of more complex pages.
22 EIO X BUFFER OVERFLOW To continue touch "OK".	The EIO card in card slot X has overflowed its I/O buffer during a busy state.	1. Touch OK to continue printing.  NOTE A loss of data will occur. 2. If the message persists, contact HP Support at http://www.hp.com/support/clj4730mfp .
22 EMBEDDED I/O BUFFER OVERFLOW To continue touch "OK".	The embedded JetDirect print server has overflowed.	1. Touch OK to continue. When this error occurs, data might be lost. If necessary, resend the job to the MFP. 2. If the message persists, contact HP Support at http://www.hp.com/support/clj4730mfp .
22 PARALLEL I/O BUFFER OVERFLOW For help press ? alternates with 22 PARALLEL I/O BUFFER OVERFLOW To continue touch "OK".	The parallel buffer has overflowed during a busy state.	1. Touch OK to resume printing.  NOTE A loss of data will occur. 2. If the message persists, disconnect the parallel cable at both ends and reconnect. 3. If the message still persists, contact HP Support at http://www.hp.com/support/clj4730mfp .

Control panel message	Description	Recommended action
22 USB I/O BUFFER OVERFLOW To continue touch "OK".	The USB buffer has overflowed during a busy state.	<ol style="list-style-type: none"> 1. Touch OK to continue printing.  <p>NOTE A loss of data will occur.</p> <ol style="list-style-type: none"> 2. If the message persists, contact HP Support at http://www.hp.com/support/clj4730mfp.
30.1.YY SCANNER FAILURE	An error has occurred in the scanner.	Turn the MFP off and then on. If this message persists, contact an HP-authorized service or support provider. See the HP support flyer, or go to http://www.hp.com/support/clj4730mfp .
40 EIO X BAD TRANSMISSION To continue touch "OK".	A connection with the card in EIO slot X has been broken.	<ol style="list-style-type: none"> 1. Touch OK to continue printing.  <p>NOTE A loss of data will occur.</p> <ol style="list-style-type: none"> 2. If the message persists, contact HP Support at http://www.hp.com/support/clj4730mfp.
40 EMBEDDED I/O BAD TRANSMISSION To continue touch "OK".	A connection with the embedded JetDirect print server has been broken.	Turn the MFP off then on. Press ? for more information. If the message persists, contact HP Support at http://www.hp.com/support/clj4730mfp .
41.3 UNEXPECTED SIZE IN TRAY X For help press ? alternates with LOAD TRAY XX [TYPE] [SIZE] To use another tray touch OK	The paper that is loaded is longer or shorter in the feed direction than the size configured for the tray.	<ol style="list-style-type: none"> 1. If the incorrect size was selected, cancel the job or press ? to access help. OR 2. Touch OK to select another tray. 3. Use the scroll bar to step through the instructions.
41.5 UNEXPECTED TYPE IN TRAY X For help press ? alternates with LOAD TRAY XX [TYPE] [SIZE] To use another tray touch OK	The MFP senses a different paper type in the paper path than configured in the tray.	<ol style="list-style-type: none"> 1. If the incorrect type was selected, cancel the job or press ? to access help. OR 2. Touch OK to select another tray. 3. Use the scroll bar to step through the instructions.


Control panel message	Description	Recommended action
44.1 USB ACCESSORY ERROR For help press ?	This message appears when a connected USB accessory draws too much power. When this happens, the ACC port is disabled and printing stops.	Use the scroll bar to step through the instructions.
49.XXXX PRINTER ERROR To continue turn off then on	A critical firmware error has occurred.	<ol style="list-style-type: none"> 1. Turn the MFP off then on. 2. If the message persists, contact HP Support at http://www.hp.com/support/clj4730mfp.
50.X FUSER ERROR To continue turn off then on	A fuser error has occurred.	Turn the MFP off then on.
50.X FUSER ERROR For help press ?	A fuser error has occurred. The error might be due to an inadequate power supply, inadequate line voltage, or a problem with the fuser. The following are specific fuser errors: 50.1: A low fuser temperature error has occurred in the main thermistor. 50.2: A fuser warm-up service error has occurred. 50.1: A low fuser temperature error has occurred in the main thermistor. 50.6: An open fuser error has occurred. 50.7: A fuser pressure release mechanism has failed. 50.8: A low fuser pressure temperature has occurred in the sub thermistor. 50.9: A high fuser pressure temperature has occurred in the sub thermistor.	<ol style="list-style-type: none"> 1. Turn the MFP off then on. 2. If the message persists, contact HP Support at http://www.hp.com/support/clj4730mfp.
51.2Y PRINTER ERROR For help press ? alternates with 51.2Y PRINTER ERROR To continue turn off then on	Either a laser beam detects an error, or a laser error has occurred. The values of Y are: Y Description 0 - Black 1 - Cyan 2 - Magenta 3 - Yellow	<ol style="list-style-type: none"> 1. Turn the MFP off then on. 2. If the problem persists, contact HP Support at http://www.hp.com/support/clj4730mfp.
51.XY PRINTER ERROR alternates with	A fuser error has occurred.	To continue printing, turn the MFP off then on.

Control panel message	Description	Recommended action
To continue turn off then on		
52.XY PRINTER ERROR alternates with To continue turn off then on	An MFP error has occurred.	Turn the MFP off then on. Press  for more information. If the message persists, contact HP Support at http://www.hp.com/support/clj4730mfp .
53.XY.ZZ CHECK RAM DIMM SLOT X	A memory error has occurred.	If prompted to do so, touch OK to continue. The MFP should come to the Ready state, but will not make full use of all memory installed. Otherwise: <ol style="list-style-type: none"> 1. Turn the MFP off. 2. Verify that all DDR SDRAM meets specifications and is correctly seated. 3. Turn the MFP on. 4. If the problem persists, contact HP Support at http://www.hp.com/support/clj4730mfp.
54.01 PRINTER ERROR To continue turn off then on	Printing cannot continue. The humidity environmental sensor is abnormal.	<ol style="list-style-type: none"> 1. Turn the MFP off then on. 2. If the problem persists, contact HP Support at http://www.hp.com/support/clj4730mfp.
54.XX PRINTER ERROR To continue turn off then on	There is a sensor malfunction. Values of XX are: 01 - Humidity sensor 05 - media sensor 07 - Yellow drum phase (home) position sensor 08 - Magenta drum phase (home) position sensor 09 - Cyan drum phase (home) position sensor 0A - Black drum phase (home) position sensor 0B - Density Sensor Out of Range 0C - Halftone Calibration 0D - Halftone Diffusion Calibration 0E - CPR Out of Range	<ol style="list-style-type: none"> 1. Turn the MFP off then on. 2. If the problem persists, contact HP Support at http://www.hp.com/support/clj4730mfp.


Control panel message	Description	Recommended action
55.OX.YY DC CONTROLLER ERROR For help press ? alternates with 55.OX.YY PRINTER ERROR To continue turn off then on	A printer command error has occurred.	<ol style="list-style-type: none"> 1. Turn the MFP off then on. 2. If the problem persists, contact HP Support at http://www.hp.com/support/clj4730mfp.
56.XX PRINTER ERROR To continue turn off then on	An MFP error has occurred.	<ol style="list-style-type: none"> 1. Turn the MFP off then on. 2. If the problem persists, contact HP Support at http://www.hp.com/support/clj4730mfp.
57.OX PRINTER ERROR To continue turn off then on	An MFP fan error has occurred.	<ol style="list-style-type: none"> 1. Turn the MFP off then on. 2. If the problem persists, contact HP Support at http://www.hp.com/support/clj4730mfp.
58.OX PRINTER ERROR For help press ? alternates with 58.OX PRINTER ERROR To continue turn off then on	A memory tag error was detected.	<ol style="list-style-type: none"> 1. Turn the MFP off then on. 2. If the problem persists, contact HP Support at http://www.hp.com/support/clj4730mfp.
59.XY PRINTER ERROR For help press ? alternates with 59.XY PRINTER ERROR To continue turn off then on	An MFP motor error has occurred.	<ol style="list-style-type: none"> 1. Turn the MFP off then on. 2. If the problem persists, contact HP Support at http://www.hp.com/support/clj4730mfp. <p>Note: This message might also appear if the transfer unit is missing or incorrectly installed. Ensure that the transfer unit is correctly installed.</p>

Control panel message	Description	Recommended action
60.X PRINTER ERROR alternates with To continue turn off then on	A tray lifting error has occurred, where X is the number of the tray.	<ol style="list-style-type: none"> 1. Use the scroll bar to step through the instructions. 2. Turn the MFP off then on. 3. If the error does not clear, record the message and contact HP Support at http://www.hp.com/support/clj4730mfp.
62 NO SYSTEM To continue turn off then on	No system was found.	<ol style="list-style-type: none"> 1. Turn the MFP off then on. 2. If the problem persists, contact HP Support at http://www.hp.com/support/clj4730mfp.
64 PRINTER ERROR To continue turn off then on	A scan buffer error has occurred.	<ol style="list-style-type: none"> 1. Turn the MFP off, and then turn the MFP on. 2. Check that the accessory is properly seated on and connected to the MFP, without any gaps between the MFP and the accessory. If the accessory uses cables, disconnect and reconnect them. Ensure that all connecting screws are tightened. 3. If this message persists, contact an HP-authorized service or support provider. See the HP support flyer, or go to http://www.hp.com/support/clj4730mfp.
65.X.X OUTPUT DEVICE CONDITION	An external output device has a condition that needs attention before printing can resume.	Turn the MFP off then on. If necessary, re-seat the output device. Ensure that the output device is connected and the cable is tightened.
65.X.X OUTPUT DEVICE DISCONNECTED	Communication between the MFP and the device has been broken. The device could be disconnected.	<ol style="list-style-type: none"> 1. Turn the MFP off. Replace the stapler/stacker on the MFP. Turn the MFP on. 2. Check that the accessory is properly seated on and connected to the MFP, without any gaps between the MFP and the accessory. If the accessory uses cables, disconnect and reconnect them. Ensure that all connecting screws are tightened. 3. If the error does not clear, record the message and contact HP Support at http://www.hp.com/support/clj4730mfp.
66.XX.X OUTPUT DEVICE FAILURE	An error occurred in an external paper handling accessory.	<ol style="list-style-type: none"> 1. Turn the power off. 2. Check that the accessory is properly seated on and connected to the MFP, without any gaps between the MFP and the accessory. If the accessory uses cables, disconnect and reconnect them. Ensure that all connecting screws are tightened.

Control panel message	Description	Recommended action
		<ol style="list-style-type: none"> Turn the MFP on. If this message persists, contact an HP-authorized service or support provider. See the HP support flyer, or go to http://www.hp.com/support/clj4730mfp.
68.X PERMANENT STORAGE FULL For help press  alternates with 68.X PERMANENT STORAGE FULL To continue touch "OK".	A non-volatile storage device is full. Touching OK should clear the message. Printing can continue, but there may be unexpected behavior. X Description 0 for onboard NVRAM 1 for removable disk (flash or hard)	<ol style="list-style-type: none"> Touch OK to continue. For 68.0 errors, turn the MFP off then on. If a 68.0 error persists, contact HPSupport. For 68.1 errors, use the HPWeb Jetadmin software to delete files from the disk drive. For 68.1 errors that persist, contact HPSupport.
68.X PERMANENT STORAGE WRITE FAIL To continue touch "OK".	A non-volatile storage device is full. Touching OK should clear the message. Printing can continue, but there may be unexpected behavior. X Description 0 for onboard NVRAM 1 for removable disk (flash or hard)	<ol style="list-style-type: none"> Touch OK to continue. If the message persists, turn the MFP off then on. If the problem persists, contact HP Support at http://www.hp.com/support/clj4730mfp.
68.X STORAGE ERROR SETTINGS CHANGED For help press  alternates with 68.X STORAGE ERROR SETTINGS CHANGED To continue touch "OK".	One or more MFP settings saved in the non-volatile storage device is invalid and has been reset to its factory default. Touching OK should clear the message. Printing can continue, but there may be unexpected behavior.	<ol style="list-style-type: none"> Touch OK to continue. If the message persists, turn the MFP off then on. If the problem persists, contact HP Support at http://www.hp.com/support/clj4730mfp.
69.X PRINTER ERROR For help press  alternates with 69.X PRINTER ERROR To continue turn off then on	An MFP error has occurred.	Turn the MFP off then on. Press  for more information.
79.XXXX PRINTER ERROR To continue	A critical hardware error has occurred.	<ol style="list-style-type: none"> Turn the MFP off then on. If the problem persists, contact HP Support at http://www.hp.com/support/clj4730mfp.

Control panel message	Description	Recommended action
turn off then on		
8X.YYYY EIO X ERROR	The I/O accessory card in slot X has encountered a critical error. X Description 1: error in slot 1 2: error in slot 2	<ol style="list-style-type: none"> 1. Turn the MFP off then on. 2. If the problem persists, contact HP Support at http://www.hp.com/support/clj4730mfp.
8X.YYYY EMBEDDED JETDIRECT ERROR	This message is generated by a failure of the embedded JetDirect print server.	Turn the MFP off then on. Press  for more information. If the message persists, contact HP Support at http://www.hp.com/support/clj4730mfp .
[FS] FILE OPERATION FAILED To clear touch "OK". alternates with Ready	The MFP received a PJL file system command that attempted to perform an illogical operation (for example, to download a file to a non-existent directory).	<ol style="list-style-type: none"> 1. To clear the message, touch OK. 2. If the message persists, turn the MFP off then on. 3. If the message reappears, there may be a problem with the software application.
[FS] NOT INITIALIZED	The device has not been initialized.	You can use Web JetAdmin to initialize the device.
[FS] NOT INITIALIZED To clear touch "OK". alternates with <Current status message>	The Flash file system has not been initialized. It must be initialized before it can be used.	Touch OK to continue.
ABCDEFGHJIYW 011000000000 alternates with To exit press Stop	This message is displayed when a paper path sensor test or a paper path test is run. The alphabetical value indicates which sensor is being checked.	No action necessary.
Access Denied MENUS LOCKED	An attempt has been made to modify a menu item while the control panel security mechanism is enabled by the MFP administrator. The message will disappear shortly, and the MFP will return to Ready state.	Contact the MFP administrator to change settings.
ADF Cover Open	The ADF cover is open.	Close the ADF cover. Follow the instructions in the onscreen dialog box.
ADF Output Bin Full	The ADF output bin holds 50 sheets of paper. The MFP stops when the bin is full.	Remove the paper from the ADF output bin.
ADF Paper Jam	Paper is jammed in the ADF.	Follow the instructions in the onscreen dialog box. For more information, see Clearing jams .

Control panel message	Description	Recommended action
ADF Pick Error	The ADF experienced an error while picking paper.	Make sure that your original contains no more than 30 pages. Follow the instructions in the onscreen dialog box.
ADF Skew Error	Paper is skewed in the ADF.	Make sure that the paper guides are aligned on the sides of the originals, and that all of the originals are the same size. Remove the remaining paper from the ADF and close the ADF cover. Follow the instructions in the onscreen dialog box.
Attachment Too Big	The scanned documents have exceeded the size limit of the server.	Send the job again using a lower resolution, smaller file size settings, or fewer pages. See Using the embedded Web server to learn how to reduce the size of the attachment. Contact the network administrator to enable sending the scanned documents by using multiple e-mails.
BAD DUPLEXER CONNECTION alternates with For help press ?	The duplexer is not connected properly and must be reinserted before printing can continue.	Turn the MFP off. Use the scroll bar to step through the instructions. If the error does not clear, record the message and contact HP Support at http://www.hp.com/support/clj4730mfp .
BAD OPTIONAL TRAY CONNECTION	The 500-sheet input tray is not making proper connection with the MFP.	<ol style="list-style-type: none"> 1. Verify that the MFP is on a level surface. 2. Turn the MFP off. 3. Reseat the MFP on the 500-sheet input tray. 4. Turn the MFP on after reseating the 500-sheet input tray.
Calibrating...	The MFP is calibrating.	No action necessary.
Canceling... X	The MFP is in the process of canceling a job. The message will continue to be displayed while the job is stopped, the paper path flushed, and any remaining incoming data on the active data channel is received and discarded.	No action necessary.
CARD SLOT X NOT FUNCTIONAL	The flash card in slot X is not working correctly.	<ol style="list-style-type: none"> 1. Turn the MFP off. 2. Remove the card from the slot indicated and replace with a new card.
Check Cables	The cable that connects the scanner to the MFP is experiencing an error.	Make sure that the cable between the scanner and the MFP is connected. Turn the MFP off then on. If the error persists, replace the cable. If the error still persists, contact an HP-authorized service or support provider. See the HP support flyer, or go to http://www.hp.com/support/clj4730mfp .
Check Cables Check Scanner	The scanner might be locked or the interface cable might be seated incorrectly.	Make sure the scanner is unlocked and the interface cable is seated correctly.
Check Output Device	An error has occurred with the output device.	Remove and reinstall the output device. Observe the LED on the device. If it is flashing

Control panel message	Description	Recommended action
		or is amber, see Understanding accessory lights for the 3-bin mailbox and stapler/stacker .
Check The Glass	A digital send or copy job has been performed from the scanner glass, but the original document needs to be removed.	Remove the original document from the scanner glass and press Start .
Checking paper path	The engine is turning its rollers to check for possible paper jams.	No action necessary.
Checking printer	The engine is doing an internal test.	No action necessary.
CHOSEN PERSONALITY NOT AVAILABLE To continue touch "OK". alternates with CHOSEN PERSONALITY NOT AVAILABLE For help press ?	PJL encountered a request for a personality that did not exist in the MFP. The job is aborted and no pages will be printed.	<ol style="list-style-type: none"> 1. Press ? for detailed information. 2. Use the scroll bar to step through the instructions. 3. Reprint using the correct driver for the device.
CLEANING DISK X% COMPLETE	A storage device is being cleaned. Do not turn the MFP off. When the process is complete, the MFP will automatically restart.	No action necessary.
Cleaning...	A cleaning page is being processed.	No action necessary.
Clearing event log	This message is displayed while the event log is cleared. The MFP will exit the MENUS once the event log has been cleared.	No action necessary.
Clearing paper path	The MFP jammed or detected misplaced paper when turned on. The MFP is attempting to eject jammed pages automatically.	No action necessary.
CLOSE FRONT COVERS For help press ?	The top cover needs to be closed.	Close front covers.  NOTE This message might also appear if the fuser is missing or incorrectly installed. Ensure that the fuser is correctly installed.
Close top cover	The top cover of the MFP is open.	Close the top cover.
Creating... CLEANING PAGE	This message is displayed while a cleaning page is being generated. When the page is complete, the control panel display backs up one screen to the PRINT QUALITY menu.	No action necessary. When the page is printed, follow the instructions printed on the cleaning page to process the page.
DATA RECEIVED To print last page touch "OK" alternates with Ready	The MFP received data and is waiting for a form feed. When the MFP receives another file, the message should disappear.	Touch OK to continue printing.


Control panel message	Description	Recommended action
Date/Time	Prompt for setting the MFP date and time. Default format is [YYYY]/[MMM]/[DD] [HH]-[MM].	To change, touch OK and follow the time and date prompts.
DELETING PRIVATE JOBS	The MFP is deleting a private stored job. A PIN is required to delete a private job.	No action necessary.
Deleting... X	The MFP is currently deleting the stored job.	No action necessary.
Digital Send Communications Error	An error has occurred during a digital send task.	Contact the network administrator.
Digital Send Server Error	The MFP cannot communicate with the server.	Verify the network connection. Contact the network administrator.
DISK DEVICE FAILURE To clear touch "OK". alternates with Ready	A device failure has occurred on the specified drive. Printing may continue for jobs that do not require access to the disk drive.	<ol style="list-style-type: none"> To clear the message, touch OK. If the message persists, remove and re-install the EIO disk drive. Turn the MFP back on. If the message still persists, replace the EIO disk drive.
DISK FILE OPERATION FAILED To clear touch "OK". alternates with Ready	The MFP received a PJL file system command that attempted to perform an illogical operation (for example, to download a file to a non-existent directory). Printing may continue.	<ol style="list-style-type: none"> To clear the message, touch OK. If the message persists, turn the MFP off then on. If the message reappears, there may be a problem with the software application.
DISK FILE SYSTEM IS FULL To clear touch "OK". alternates with Ready	The MFP received a PJL file system command that attempted to store something on the file system but was unsuccessful because the file system is full.	<ol style="list-style-type: none"> Use the HP Web Jetadmin software to delete files from the EIO disk drive, or delete the stored job from the MFP control panel. To clear the message, touch OK. If the message persists, turn the MFP off then on.
DISK IS WRITE PROTECTED To clear touch "OK". alternates with Ready	The file system device is protected and no new files can be written to it.	<ol style="list-style-type: none"> To enable writing to the disk, turn off write protection, using HP Web Jetadmin. To clear the message, touch OK. If the message persists, turn the MFP off and then on.
E-mail Gateway did not respond. Job failed.	A gateway has exceeded the time out value.	Validate the SMTP IP address. See Solving e-mail problems.
E-mail Gateway rejected the job because of the addressing information. Job failed.	One or more of the e-mail addresses is incorrect.	Send the job again.
EIO X DISK NOT FUNCTIONAL For help press ?	The EIO disk in slot X is not working correctly.	<ol style="list-style-type: none"> Turn the MFP off. Remove the EIO disk from the slot indicated and replace with a new EIO disk drive.




Control panel message	Description	Recommended action
EIO X disk initializing	The EIO disk device in slot X is initializing.	No action necessary.
EIO X disk spinning up	The EIO disk device in slot X is spinning up its platter.	No action necessary.
Error executing Digital Send job. Job failed.	A digital send job has failed and cannot be delivered.	Try to send the job again.
Event Log Empty	SHOW EVENT LOG was selected from the control panel, and the event log is empty.	No action necessary.
FLASH DEVICE FAILURE To clear touch "OK". alternates with Ready	A device failure has occurred on the specified drive. Printing can continue for jobs that do not require the Flash DIMM.	<ol style="list-style-type: none"> To clear the message, touch OK. If the message persists, remove and re-install the EIO disk drive. Turn the MFP back on. If the message still persists, replace the Flash DIMM.
FLASH FILE SYSTEM IS FULL To clear touch "OK". alternates with Ready	The MFP received a PJL file system command that attempted to store something on the file system but was unsuccessful because the file system is full.	<ol style="list-style-type: none"> Use HP Web Jetadmin software to delete files from the Flash Memory and try again. To clear the message, touch OK. If the message persists, turn the MFP off then on.
FLASH IS WRITE PROTECTED To clear touch "OK". alternates with Ready	The file system device is protected and no new files can be written to it.	<ol style="list-style-type: none"> To enable writing to the Flash Memory, turn off write protection, using HP Web Jetadmin. To clear the message, touch OK. If the message persists, turn the MFP off then on.
Front Side Optical System Error	The scanner has experienced an error.	To temporarily clear the message so you can send a fax or send to e-mail, touch IGNORE . If this message persists, contact an HP-authorized service or support provider. See the HP support flyer, or go to http://www.hp.com/support/clj4730mfp .
Genuine HP supplies installed	A new HP cartridge has been installed. The MFP returns to the Ready state after approximately 10 seconds.	No action necessary.
HP Digital Sending: Delivery Error	A digital send job has failed and cannot be delivered.	Try to send the job again.
Incorrect PIN	The wrong PIN was entered. After three incorrect PIN entries, the MFP will return to Ready .	Re-enter PIN correctly.

Control panel message	Description	Recommended action
<p>INCORRECT SUPPLIES</p> <p>For status touch "OK".</p> <p>The supplies gauge will display the consumption levels of print cartridges.</p>	<p>At least one supply item is incorrectly positioned in the MFP and another supply item is missing, incorrectly placed, out, or low.</p>	<ol style="list-style-type: none"> 1. Touch OK to access the SUPPLIES STATUS menu. 2. Use the scroll bar to highlight the specific supply that has a problem. 3. Press ? to view help for the supply. 4. Use the scroll bar to step through the instructions.
<p>Initializing permanent storage</p>	<p>Displayed when the MFP is turned on to show that permanent storage is being initialized.</p>	<p>No action necessary.</p>
<p>Initializing...</p>	<p>This message is displayed when the MFP is turned on, as soon as the individual tasks begin initialization.</p>	<p>No action necessary.</p>
<p>INSERT OR CLOSE TRAY X</p> <p>For help press ?</p>	<p>Tray X must be inserted or closed before the current job can be printed.</p>	<p>Close the tray indicated.</p>
<p>INSTALL FUSER</p>	<p>The fuser is not installed or is not installed correctly.</p>	<ol style="list-style-type: none"> 1. Confirm that the fuser is installed in the MFP and is fully seated. 2. Use the scroll bar to step through the instructions.
<p>INSTALL SUPPLIES</p> <p>For status touch "OK".</p> <p>The supplies gauge will display the consumption levels of print cartridges.</p>	<p>At least one supply item is missing or is not correctly seated in the MFP and another supply item is missing, incorrectly placed, out, or low. Insert the supply item or make sure the installed supply item is fully seated.</p>	<ol style="list-style-type: none"> 1. Press Menu to access the SUPPLIES STATUS menu. 2. Touch INFORMATION. 3. Use the scroll bar to highlight the specific supply that has a problem. 4. Press ? to view help for the supply. 5. Use the scroll bar to step through the instructions.
<p>INSTALL TRANSFER UNIT</p>	<p>The transfer unit is not installed or is not installed correctly.</p>	<ol style="list-style-type: none"> 1. Use the scroll bar to access the SUPPLIES STATUS menu. 2. Scroll to and select the transfer unit. 3. Press ? to view help. 4. Use the scroll bar to step through the instructions.
<p>INSUFFICIENT MEMORY TO LOAD FONTS/DATA</p> <p>For help press ?</p> <p>alternates with</p> <p>Device</p> <p>To continue touch "OK".</p>	<p>The device does not have enough memory to load the data, such as fonts or macros from the location specified. Device can be one of the following:</p> <p>INTERNAL = ROM directly on the formatter board</p> <p>CARD SLOT X = font card in slot X</p> <p>DIMMS</p>	<ol style="list-style-type: none"> 1. To use the device without the data, touch OK. 2. To solve the problem, add more memory to the device. DDR SDRAM Memory: 128MB, (Q2630A) or 256MB (Q2631A).

Control panel message	Description	Recommended action
	EIO X DISK = removable hard disk installed in EIO slot X	
Internal disk initializing	The internal disk device is initializing.	No action necessary.
INTERNAL DISK NOT FUNCTIONAL	The internal disk is not working correctly.	Turn the MFP off then on. If the error persists, contact HP Support at http://www.hp.com/support/clj4730mfp .
Internal disk spinning up	The internal disk is spinning up. This message generally appears for approximately 15 seconds when the MFP emerges from sleep mode. Jobs can still print, but jobs that require disk access, such as quick copy jobs, must wait until the disk is initialized.	No action necessary.
JAM IN DOCUMENT FEEDER	Paper is jammed in the ADF.	Remove jammed paper from the ADF. Follow the instructions in the onscreen dialog box. For more information, see Clearing jams . If the message persists after all jams have been cleared, a sensor might be stuck or broken. Contact an HP-authorized service or support provider. See the HP support flyer, or go to http://www.hp.com/support/clj4730mfp .
LOAD TRAY 1: <TYPE> <SIZE> For help press ?	This message appears when Tray 1 is selected but is not loaded, and no other paper trays are available for use.	<ol style="list-style-type: none"> 1. Load the correct paper in Tray 1. 2. Confirm that the media guides are in the correct position. 3. If prompted, confirm the size and type of paper loaded.
LOAD TRAY 1: <TYPE> <SIZE> To continue touch "OK". alternates with LOAD TRAY 1: <TYPE> <SIZE> For help press ?	Tray 1 is loaded and configured for a type and size other than the one specified in the job.	<ol style="list-style-type: none"> 1. If the correct paper is loaded, touch OK. 2. Otherwise, remove the incorrect paper and load Tray 1 with the specified paper. 3. If prompted, confirm the size and type of paper loaded. 4. Confirm that the media guides are in the correct position. 5. To use another tray, remove paper from Tray 1 and then touch OK.
LOAD TRAY 1: <TYPE> <SIZE> To use another tray touch OK Alternates with LOAD TRAY 1: <TYPE> <SIZE>	This message appears when Tray 1 is selected but is not loaded, and other paper trays are available for use.	<ol style="list-style-type: none"> 1. Load the correct paper in Tray 1. 2. Confirm that the media guides are in the correct position. 3. If prompted, confirm the size and type of paper loaded. 4. To use another tray, remove paper from Tray 1 and then touch OK.


Control panel message	Description	Recommended action
For help press ?		
LOAD TRAY XX [TYPE] [SIZE]	This message appears when Tray XX is selected but is not loaded, and no other paper trays are available for use.	Load the correct paper in the tray and touch OK to continue.
For help press ?		
LOAD TRAY XX [TYPE] [SIZE]	Tray XX is either empty or configured for a type and size other than specified in the job, and other tray is available.	<ol style="list-style-type: none"> 1. Load the paper tray with the specified paper. 2. Confirm that the media guides are in the correct position. 3. If prompted, confirm the size and type of paper loaded. 4. To use another tray, touch OK.
To use another tray touch OK alternates with		
LOAD TRAY XX [TYPE] [SIZE]		
For help press ?		
Loading program X DO NOT POWER OFF	Programs and fonts can be stored on the MFP's file system and are loaded into RAM when the MFP is turned on. The number XX specifies a sequence number indicating the current program being loaded.	No action necessary. Do not turn the MFP off.
MANUALLY FEED [TYPE] [SIZE]	The job specifies MANUAL FEED , but Tray 1 is empty. Another tray is available.	Add paper to Tray 1 or touch OK to select another tray.
alternates with		
MANUALLY FEED [TYPE] [SIZE]		
To use another tray touch OK		
MANUALLY FEED [TYPE] [SIZE]	A job was sent specifying MANUAL FEED and Tray 1 is empty.	<ol style="list-style-type: none"> 1. Load the correct paper in Tray 1 and touch OK to continue. 2. If prompted, confirm size and type of paper loaded.
To continue touch "OK".	No other tray is available.	
MANUALLY FEED [TYPE] [SIZE]	The job specifies MANUAL FEED , but Tray 1 is already loaded and configured for a type or size other than that specified in the job.	<ol style="list-style-type: none"> 1. If the correct paper is loaded in Tray 1, touch OK to print. 2. Otherwise, remove the incorrect paper and load Tray 1 with the specified paper. 3. Confirm that the media guides are in the correct position. 4. To use another tray, remove paper from Tray 1 and then touch OK.
To continue touch "OK". alternates with		
MANUALLY FEED [TYPE] [SIZE]		
For help press ?		

Control panel message	Description	Recommended action
<p>MANUALLY FEED [TYPE] [SIZE]</p> <p>To use another tray touch OK</p> <p>alternates with</p> <p>MANUALLY FEED [TYPE] [SIZE]</p> <p>For help press ?</p>	<p>A job was sent that specified MANUAL FEED and Tray 1 is empty. Another tray is available.</p>	<ol style="list-style-type: none"> 1. Load Tray 1 with the specified paper. 2. If prompted, confirm size and type of paper loaded. 3. Otherwise, touch OK to select another tray.
<p>MANUALLY FEED OUTPUT STACK</p> <p>alternates with</p> <p>Then touch OK to print second sides</p>	<p>The even-numbered pages of a manual two-sided document have been printed and the MFP is waiting for the output stack to be inserted for the odd-numbered pages to be printed.</p>	<p>Follow the instructions on the Print on Both Sides instruction dialog box at the computer.</p> <p>OR</p> <p>Press ? for help at the MFP.</p>
<p>Mechanical Error</p>	<p>The ADF has experienced a mechanical error.</p>	<p>Turn the MFP off then on. To temporarily clear this message, touch IGNORE. If the message persists, contact an HP-authorized service or support provider. See the HP support flyer, or go to http://www.hp.com/support/clj4730mfp.</p>
<p>MIXED PAPER SIZES IN JOB TO STAPLE</p>	<p>The job contains different paper sizes and cannot be stapled. The status light is solid green.</p>	<p>Use a uniform paper size when sending jobs to the stapler.</p>
<p>Moving solenoid</p> <p>To exit press Stop</p>	<p>The MFP is executing a component test and the component selected is a solenoid.</p>	<p>No action necessary.</p>
<p>Moving solenoid and motor</p> <p>To exit press Stop</p>	<p>The MFP is executing a component test and the components selected are the solenoid and the motor.</p>	<p>No action necessary.</p>
<p>No job to cancel</p>	<p>There are no stored jobs that can be cancelled.</p>	<p>No action necessary.</p>
<p>NO STORED JOBS</p>	<p>No jobs stored on the EIO disk. This message is displayed when the user enters the RETRIEVE JOB menu and there are no jobs to retrieve.</p>	<p>No action necessary.</p>
<p>NON HP SUPPLY IN USE</p> <p>alternates with</p> <p>Ready</p> <p>The supplies gauge will display the consumption levels of print cartridges, but the level of any refilled cartridge will not be shown.</p>	<p>The MFP has detected that a non-HP print cartridge is currently installed.</p>	<p>If you believe you purchased an HP cartridge, please call the HP fraud hotline (1-877-219-3183, toll-free in North America).</p> <p> CAUTION Any MFP repair required as a result of using non-HP cartridges is not covered under HP warranty.</p>




Control panel message	Description	Recommended action
<p>ORDER [COLOR] CARTRIDGE</p> <p>The supplies gauge will display the consumption levels of print cartridges.</p> <p>alternates with</p> <p>Ready</p> <p>The supplies gauge will display the consumption levels of print cartridges.</p>	<p>The identified print cartridge is nearing the end of its useful life. The MFP is ready and will continue for the estimated number of pages indicated. Estimated pages remaining is based upon the historical page coverage of this MFP.</p> <p>Printing will continue until a supply needs to be replaced.</p>	<ol style="list-style-type: none"> 1. Press ? to view help for the message. 2. Obtain the part number for the print cartridge indicated. 3. Order a print cartridge. <p> NOTE Supplies ordering information is also available from the embedded Web server. See Using the embedded Web server for more information.</p>
<p>ORDER FUSER KIT LESS THAN X PAGES</p> <p>For help press ?</p> <p>alternates with</p> <p>Ready</p>	<p>The fuser is near the end of its life. The MFP is ready and will continue for the estimated number of pages indicated.</p> <p>Printing will continue until a supply needs to be replaced.</p>	<ol style="list-style-type: none"> 1. Press ? to view help for the message. 2. Obtain the part number for the fuser kit. 3. Order the fuser kit. <p> NOTE Supplies ordering information is also available from the embedded Web server. See Using the embedded Web server for more information.</p>
<p>ORDER SUPPLIES</p> <p>alternates with</p> <p>Ready</p> <p>For help press ?</p> <p>The supplies gauge will display the consumption levels of print cartridges.</p>	<p>More than one supply item is low.</p> <p>Printing will continue until a supply needs to be replaced.</p>	<ol style="list-style-type: none"> 1. Press Menu to access the menus. 2. Touch INFORMATION. 3. Touch SUPPLIES STATUS. 4. Touch the supply name that needs to be ordered. 5. Press ? to access help for the supply. 6. Obtain a part number for the supply. 7. Order the supply. 8. Repeat the previous steps as necessary for each supply that needs to be ordered. 9. Supplies ordering information is also available from the embedded Web server. See Using the embedded Web server for more information.
<p>ORDER TRANSFER KIT LESS THAN X PAGES</p> <p>For help press ?</p> <p>alternates with</p> <p>Ready</p>	<p>The transfer unit is near end of life.</p> <p>Printing can continue.</p>	<ol style="list-style-type: none"> 1. Press ? to view help for the message. 2. Obtain the transfer kit part number from help. 3. Order the transfer kit. <p> NOTE Supplies ordering information is also available from the embedded Web server. See Using the embedded Web server for more information.</p>

Control panel message	Description	Recommended action
Output Bin X Full	The specified output bin is full and printing cannot continue.	Empty the bin to continue printing.
OUTPUT PAPER PATH OPEN	The path between the MFP and the output device is open and must be closed before printing can continue.	<ol style="list-style-type: none"> 1. If you have a 3-bin mailbox installed, make sure the jam-access door is closed. 2. If you have a stapler/stacker installed, make sure the staple cartridge is snapped into position and that the staple-cartridge door is closed.
Paused To return to Ready press RESUME key	The MFP is paused, and there are no error messages pending at the display. The I/O continues receiving data until memory is full.	Press the Stop key.
Performing PRINT/STOP TEST	The MFP is performing a print/stop test.	No action necessary.
Performing upgrade	A firmware upgrade is in process.	Do not turn the MFP off until the MFP returns to Ready .
Performing... PAPER PATH TEST	The MFP is performing a paper path test.	No action necessary.
Please wait PRINTING STOPPED To continue touch "OK".	The MFP is in the process of clearing data. This message is displayed when a Print/Stop Test is run and time expires.	No action necessary. Touch OK to continue printing.
Printing... CMYK SAMPLES	This message displays while the MFP CMYK samples page is being generated.	No action necessary.
Printing... CONFIGURATION	The MFP is generating the configuration page. The MFP will return to the online Ready state when the page is completed.	No action necessary.
Printing... DEMO PAGE	The MFP is generating the demo page. The MFP will return to the online Ready state when the page is completed.	No action necessary.
Printing... DIAGNOSTICS PAGE	The MFP is generating the diagnostics page. The MFP will return to the online Ready state when the page is completed.	No action necessary.
Printing... ENGINE TEST	The MFP is generating the engine test page. The MFP will return to the online Ready state when the page is completed.	No action necessary.
Printing... Event Log	The MFP is generating the event log page. The MFP will return to the online Ready state when the page is completed.	No action necessary.
Printing... FILE DIRECTORY	The MFP is generating the mass storage directory page. The MFP will return to the Ready state when the page is completed.	No action necessary.

Control panel message	Description	Recommended action
Printing... FONT LIST	The MFP is generating either the PCL or PS personality typeface list. The MFP will return to the Ready state when the page is completed.	No action necessary.
Printing... MENU MAP	The MFP is generating the MFP menu map. The MFP will return to the Ready state when the page is completed.	No action necessary.
Printing... PQ TROUBLESHOOTING	The MFP is generating the print quality troubleshooting pages. The MFP will return to the Ready state when the pages are printed.	Follow the instructions on the printed pages.
Printing... REGISTRATION PAGE	The MFP is generating the registration page. The MFP will return to the SET REGISTRATION menu when the page is completed.	Follow the instructions on the printed pages.
Printing... RGB Samples	This message displays while the MFP RGB samples page is being generated.	No action necessary.
Printing... SUPPLIES STATUS	The MFP is generating the supplies status page. The MFP will return to the online Ready state when the page is completed.	No action necessary.
Printing... Usage Page	The MFP is generating the usage page. The MFP will return to the online Ready state when the page is completed.	No action necessary.
Processing duplex job Do not grab paper until job completes	Paper temporarily comes into the output bin while printing a duplex job. Do not attempt to remove the pages until the job is complete.	Do not grab paper as it temporarily comes into the output bin. The message will disappear when the job is finished.
Processing...	The MFP is currently processing a job but is not yet picking pages. When paper motion begins, this message will be replaced by a message that indicates which tray the job is being printed from.	No action necessary.
Processing... copy <X> of <Y>	The MFP is currently processing or printing collated copies. The message indicates that copy X of Y total copies is currently being processed.	No action necessary.
Processing... from tray xx	The MFP is actively processing a job from the designated tray.	No action necessary.
Processing... INTERMITTENT MODE For help press ?	This message might be displayed during periods of heavy usage if the MFP becomes overheated. If this occurs, the MFP enters a mode in which it prints for one minute and pauses for one minute. This cycle continues until the operating temperature stabilizes.	Use the scroll bar to step through the instructions.
RAM DISK SYSTEM IS FULL To clear touch "OK".	The MFP received a PJL file system command that attempted to store something on the file system but was unsuccessful because the file system is full.	<ul style="list-style-type: none"> To clear the message, touch OK. If the message persists, turn the MFP off then on.


Control panel message	Description	Recommended action
<p>alternates with</p> <p>Ready</p>		 NOTE This will also delete any files saved in RAM.
<p>RAM DISK DEVICE FAILURE</p> <p>To clear touch "OK".</p> <p>alternates with</p> <p>Ready</p>	<p>A device failure has occurred on the specified drive.</p>	<ol style="list-style-type: none"> To clear the message, touch OK. If the message persists, turn the MFP off then on. If the message still persists, contact HP Support at http://www.hp.com/support/clj4730mfp.
<p>RAM DISK FILE OPERATION FAILED</p> <p>To clear touch "OK".</p> <p>alternates with</p> <p>Ready</p>	<p>The MFP received a PJL file system command that attempted to perform an illogical operation (for example, to download a file to a non-existent directory).</p> <p>Printing may continue.</p>	<ol style="list-style-type: none"> To clear the message, touch OK. If the message persists, turn the MFP off then on. If the message reappears, there may be a problem with the software application.
<p>RAM DISK IS WRITE PROTECTED</p> <p>To clear touch "OK".</p> <p>alternates with</p> <p>Ready</p>	<p>The file system device is protected and no new files can be written to it.</p>	<ol style="list-style-type: none"> To enable writing to the RAM disk, turn off write protection, using HP Web Jetadmin software. To clear the message, touch OK. If the message persists, turn the MFP off then on.
<p>Ready</p> <p>The supplies gauge will display the consumption levels of print cartridges.</p>	<p>The MFP is online and ready for data. No status or device attendance messages are pending at the display.</p>	<p>No action necessary.</p>
<p>Ready</p> <p>Diagnostics mode</p> <p>To exit press Stop</p>	<p>The MFP is in a special diagnostics mode.</p>	<p>Press the Stop key to exit the special diagnostics mode.</p> <p>OR</p> <p>No action is necessary.</p>
<p>Ready</p> <p>IP ADDRESS</p>	<p>The MFP is online and ready.</p>	<p>No action necessary.</p>
<p>REATTACH OUTPUT BIN</p>	<p>The standard output bin was detached when the MFP was turned on, or the cable on the stapler/stacker or the 3-bin mailbox is not connected to the MFP.</p>	<p>Turn the MFP off. If you are using the stapler/stacker or the 3-bin mailbox, make sure that the cable is connected to the MFP. Reattach the output bin, and then turn the MFP on. Observe the LED on the output device. If it is flashing or amber, Understanding accessory lights for the 3-bin mailbox and stapler/stacker.</p>
<p>Receiving upgrade</p>	<p>A firmware upgrade is in progress.</p>	<p>Do not turn the MFP off until the MFP returns to Ready.</p>
<p>REINSTALL OUTPUT DEVICE</p>	<p>The output device has been removed or is not attached.</p>	<p>Make sure the output bin, 3-bin mailbox, or stapler/stacker is correctly installed on the MFP.</p>

Control panel message	Description	Recommended action
<p>REMOVE ALL PRINT CARTRIDGES</p> <p>To exit press Stop</p>	<p>The MFP is executing a component test and the component selected is Belt Only.</p>	<p>Remove all print cartridges.</p>
<p>Remove at least one print cartridge.</p> <p>To exit press Stop</p>	<p>The MFP is executing a disable cartridge check or component test where the component selected is the cartridge motor.</p>	<p>Remove one print cartridge.</p>
<p>REPLACE <COLOR> CARTRIDGE</p> <p>The supplies gauge will display the consumption levels of print cartridges. alternates with</p> <p>To continue touch "OK".</p> <p>The supplies gauge will display the consumption levels of print cartridges.</p>	<p>The identified print cartridge has reached the end of life and the COLOR SUPPLY OUT setting in the SYSTEM SETUP menu is set to STOP AT LOW. Printing can continue.</p>	<ol style="list-style-type: none"> Order the appropriate print cartridge. To continue, touch OK. Open the top and side covers and then open the image transfer unit. <div style="border: 1px solid black; padding: 5px; margin: 10px 0;">  <p>CAUTION The image transfer unit can be easily damaged.</p> </div> <ol style="list-style-type: none"> Remove the identified print cartridge. Install a new print cartridge. Close the image transfer unit and then close the top and front covers. Supplies ordering information is also available from the embedded Web server. See Using the embedded Web server for more information.
<p>REPLACE FUSER KIT</p> <p>For help press </p>	<p>The fuser kit has reached the end of its life. Replace the fuser kit. Printing can continue but print quality might be reduced.</p>	<ol style="list-style-type: none"> Open the top cover. Grasp the purple handles on the fuser unit. Remove the old fuser unit from the MFP. Install a new fuser unit and secure with thumb screws. Close the top cover. Supplies ordering information is also available from the embedded Web server. See Using the embedded Web server for more information.

Control panel message	Description	Recommended action
<p>REPLACE FUSER KIT</p> <p>For help press </p> <p>alternates with</p> <p>REPLACE FUSER KIT</p> <p>To continue touch "OK".</p>	<p>The fuser is nearing the end of its useful life and the REPLACE SUPPLIES setting in the SYSTEM SETUP menu is set to STOP AT LOW. Printing can continue.</p>	<ol style="list-style-type: none"> 1. Order the fuser kit. 2. To continue printing, touch OK. 3. To replace the fuser kit, perform the following steps: <ul style="list-style-type: none"> • Open the top cover. • Grasp the purple handles on the fuser unit. • Remove the old fuser unit from the MFP. • Install the new fuser unit. • Close the top cover. • Supplies ordering information is also available from the embedded Web server. See Using the embedded Web server for more information.
<p>REPLACE STAPLER CARTRIDGE</p>	<ul style="list-style-type: none"> • The stapler cartridge contains fewer than 30 staples and should not be used. The stapler cartridge needs to be replaced. • There is no stapler cartridge installed. 	<ul style="list-style-type: none"> • Replace the stapler cartridge. For more information, see Supplies and accessories. • Install a stapler cartridge.
<p>REPLACE SUPPLIES</p> <p>For status touch "OK".</p> <p>The supplies gauge will display the consumption levels of print cartridges.</p>	<p>Multiple supplies are at the end of their useful life. If the supplies affected are cartridges only, printing has stopped because the REPLACE SUPPLIES setting in the SYSTEM SETUP menu is set to STOP AT OUT. If the affected supplies are cartridges only, printing cannot continue.</p>	<ol style="list-style-type: none"> 1. Touch SUPPLIES STATUS menu. 2. Scroll to the specific supply that has a problem. 3. Touch  to view help for the supply. 4. Use the scroll bar to step through the instructions. 5. Supplies ordering information is also available from the embedded Web server. See Using the embedded Web server for more information.
<p>REPLACE SUPPLIES</p> <p>Override in use</p> <p>Press Status</p> <p>alternates with</p> <p><Current status message></p>	<p>OVERRIDE AT OUT is set in the REPLACE SUPPLIES menu and at least one cartridge is Out. Printing can continue.</p>	<p>Replace the indicated print cartridge.</p>
	<p> CAUTION Using the Override mode may result in unsatisfactory print quality. HP recommends replacing the supply when the REPLACE SUPPLIES message displays. HP Premium Protection Warranty coverage ends when a supply is used in Override mode.</p>	

Control panel message	Description	Recommended action
<p>REPLACE SUPPLIES</p> <p>To continue touch "OK".</p> <p>The supplies gauge will display the consumption levels of print cartridges.</p>	<p>Multiple supplies are at the end of their useful life and the REPLACE SUPPLIES setting in the SYSTEM SETUP menu is set to STOP AT LOW.</p>	<ol style="list-style-type: none"> 1. Touch SUPPLIES STATUS menu. 2. Scroll to the specific supply that has a problem. 3. Touch  to view help for the supply. 4. Use the scroll bar to step through the instructions. 5. Supplies ordering information is also available from the embedded Web server. See Using the embedded Web server for more information.
<p>REPLACE SUPPLIES</p> <p>Using black only</p> <p>Press Status</p> <p>alternates with</p> <p><Current status message></p>	<p>AUTOCONTINUE BLACK is set in the COLOR SUPPLY OUT menu and a color print cartridge is Out. Printing can continue in black only.</p>	<p>Replace the indicated print cartridge.</p>
<p>REPLACE TRANSFER KIT</p> <p>For help press </p>	<p>The transfer unit is at end of life. Printing can continue but print quality might be reduced.</p>	<ol style="list-style-type: none"> 1. Open the top and side covers. 2. Lower the transfer unit by pulling the green handle at the top of the unit downward. 3. Depress the small blue latches located on either side of the bottom of the transfer unit and lift the unit out of the MFP. 4. Install the new transfer unit. 5. Close the front and top covers. 6. Supplies ordering information is also available from the embedded Web server. See Using the embedded Web server for more information.
<p>REPLACE TRANSFER KIT</p> <p>For help press </p> <p>alternates with</p> <p>REPLACE TRANSFER KIT</p> <p>To continue touch "OK".</p>	<p>The transfer unit is nearing the end of its useful life and the REPLACE SUPPLIES setting in the SYSTEM SETUP menu is set to STOP AT LOW.</p>	<ol style="list-style-type: none"> 1. Order the transfer kit. 2. To continue printing, touch OK. 3. To replace the transfer kit, perform the following steps: <ul style="list-style-type: none"> • Open the top and side covers. • Lower the transfer unit by pulling the green handle at the top of the unit downward. • Depress the small blue latches located on either side of the bottom of the transfer unit and lift the unit out of the MFP.

Control panel message	Description	Recommended action
		<ul style="list-style-type: none"> • Install the new transfer unit. • Close the front and top covers. • Supplies ordering information is also available from the embedded Web server. See Using the embedded Web server for more information.
Request accepted please wait	The MFP has accepted a request to print an internal page, but the current job must finish printing before the internal page will print.	No action necessary.
Resend upgrade	The firmware upgrade was not completed successfully.	Attempt upgrade again.
Restoring... [accessory #]	The MFP is restoring external accessory settings in response to a user request.	No action necessary.
Restoring...	The MFP is restoring settings. This message is displayed during the execution of a restore action, such as RESTORE COLOR VALUES .	No action necessary.
Restoring... factory settings	The MFP is restoring factory settings.	No action necessary.
Rotating <COLOR> motor To exit press Stop	A component test is in progress; the component selected is the <color> cartridge motor.	Press Stop when ready to stop this test.
Rotating motor To exit press Stop	The MFP is executing a component test and the component selected is a motor.	Press Stop when ready to stop this test.
SANITIZING DISK X% COMPLETE DO NOT POWER OFF	A storage device is being sanitized. Do not turn the MFP off. When the process is complete, the MFP will automatically restart.	No action necessary.
SCAN CARRIAGE LOCKED Check lock switch, cycle power.	The flatbed scanner carriage is locked for shipping.	Turn off the MFP, unlock the scanner carriage, and turn on the MFP.
Scan Failure Press "START" to rescan	The scan was unsuccessful and the document needs to be rescanned.	If necessary, reposition the document to rescan it, and then press Start .
Setting saved	A menu selection has been saved.	No action necessary.
SIZE MISMATCH TRAY X=paperShort For help press ? alternates with Ready	The tray is loaded with paper that is longer or shorter in the feed direction than the size configured for the tray.	<ol style="list-style-type: none"> 1. Adjust the side and rear media guides against the paper. 2. If necessary, touch OK after the tray is closed to change the paper size or type configuration to match the size or type of paper loaded in the tray.
Sleep mode on	The MFP is in sleep mode. A button press, receipt of printable data, or an error condition will clear this message.	No action necessary.

Control panel message	Description	Recommended action
STACKER COVER OPEN	The top cover of the stacker unit is open. The unit cannot function.	Close the top cover and resend the job.
STAPLER DOOR OPEN	The stapler module door is open. The stapler/stacker cannot operate in this condition. The amber light on the stapler/stacker is blinking.	Close the stapler module door.
STAPLER DOOR OPEN	The top cover of the stapler unit is open. The unit cannot function.	Close the top cover and resend the job.
STAPLER LOW ON STAPLES	Fewer than 20 usable staples remain in the stapler cartridge. The status light is solid green.	Order and install a new stapler cartridge. For information about replacing the stapler cartridge, see Supplies and accessories .
STAPLES OUT	The stapler in the stapler/stacker is out of staples. The MFP behavior depends on how STAPLES OUT is configured in the Output Setup submenu.	<ul style="list-style-type: none"> • If STAPLES OUT=STOP, the MFP stops printing until you refill the stapler or touch OK. This is the default setting. • If STAPLES OUT=CONTINUE, the MFP continues, but the job is not stapled. <p>Replace the stapler cartridge. For more information, see Supplies and accessories.</p>
The Digital Sending Service at <IP Address> does not service this MFP. Contact administrator.	The MFP cannot communicate with the specified IP address.	Verify the IP address. Contact the network administrator.
The Digital Sending Service must be upgraded to support this version of the MFP firmware. Contact administrator.	The Digital Sending Service is not supported by the version of the firmware that is currently installed for the MFP.	Check the firmware version. Contact the network administrator.
TOO MANY PAGES IN JOB TO STAPLE	The maximum number of sheets that the stapler can staple is 30, regardless of paper type or weight. The print job finishes printing but is not stapled.	Manually staple print jobs that contain more than 30 sheets.
TOP BIN	The output bin is full. The amber light on the stapler/stacker is blinking.	Remove paper from the output bin.
TOP DOOR OPEN	The jam access door is open. The stapler/stacker cannot operate in this condition. The amber light on the stapler/stacker is blinking.	Close the jam access door.
Transfer unit can be easily damaged. alternates with FOR HELP TOUCH ? The supplies gauge will display the consumption levels of print cartridges.	The cartridge is either not installed or not correctly installed in the MFP.	<ol style="list-style-type: none"> 1. Open the top and side covers and then open the image transfer unit. <div style="display: flex; align-items: center; margin-top: 10px;">  <p>CAUTION The image transfer unit can be easily damaged.</p> </div> <ol style="list-style-type: none"> 2. Insert the print cartridge and make sure that it is fully seated. 3. Close the image transfer unit and then close the top and side covers. 4. If the error persists, contact HP support at http://www.hp.com/support/clj4730mfp.
TRAY X EMPTY	The specified tray is empty and the current job does not need this tray to print.	Refill the tray at a convenient time.

Control panel message	Description	Recommended action
<p>[TYPE] [SIZE]</p> <p>alternates with</p> <p>Ready</p>		
<p>TRAY X OPEN</p> <p>For help press ?</p> <p>alternates with</p> <p>Ready</p>	<p>The specified tray is open or not closed completely.</p>	<p>Close the tray.</p>
<p>TRAY XX SIZE= <SIZE></p> <p>Setting saved</p>	<p>The size selected from the menu has been saved.</p>	<p>No action is necessary.</p>
<p>TYPE MISMATCH</p> <p>TRAY X=[TYPE]</p> <p>For help press ?</p> <p>alternates with</p> <p>Ready</p>	<p>The paper type loaded in the tray does not match the paper type configured for the tray.</p>	<ol style="list-style-type: none"> 1. Adjust the side and rear guides against the paper. 2. If necessary, touch OK after the tray is closed to change the paper size or type configuration to match the paper loaded in the tray.
<p>Unable to mopy job</p> <p>alternates with</p> <p>Processing...</p>	<p>The print job cannot be moped because of a memory, disk, or configuration problem. Only one copy will be produced.</p>	<p>Install additional memory in the MFP or install a disk drive in the MFP.</p>
<p>UNABLE TO SEND</p>		<p>To temporarily hide this message in order to fax or send to e-mail, touch IGNORE. If the message persists, contact an HP-authorized service or support provider. See the HP support flyer, or go to http://www.hp.com/support/clj4730mfp.</p>
<p>Unable to send Fax. Please check fax configuration.</p>	<p>The MFP was unable to send the fax.</p>	<p>Contact the network administrator.</p>
<p>UNABLE TO SEND JOB</p>		<p>To temporarily hide this message in order to fax or send to e-mail, touch IGNORE. If the message persists, contact an HP-authorized service or support provider. See the HP support flyer, or go to http://www.hp.com/support/clj4730mfp.</p>
<p>Unable to Store Job</p> <p>JOB NAME</p> <p>alternates with</p> <p>Processing...</p>	<p>A job cannot be stored because of a memory, disk, or configuration problem.</p>	<p>Install additional memory in the MFP, or install a disk drive into the MFP. If a disk drive is installed, delete previously stored print jobs.</p>
<p>USE TRAY X</p> <p>[TYPE] [SIZE]</p> <p>To change touch ▲ or ▼</p> <p>To use touch OK</p>	<p>The MFP is offering a selection of alternate paper to use for the print job.</p>	<ol style="list-style-type: none"> 1. View tray configurations (type and size) using the scroll bar. 2. Touch OK to select a tray. 3. To return to the previous message, touch Back.

Control panel message	Description	Recommended action
Wait for printer to reinitialize	RAM disk settings have been changed before the MFP automatically restarts, or external device modes have changed or the MFP is coming out of the diagnostics mode and will automatically restart.	No action necessary.
Waiting for tray X to lift	The MFP is waiting for Tray 2 or an optional tray to lift.	No action necessary.
Warming up	The MFP is coming out of sleep mode. Printing will continue as soon as warmup is completed.	No action necessary.

Paper jams

Use this illustration to troubleshoot paper jams in the printer. For instructions on clearing paper jams, see [Clearing jams](#).



NOTE All areas of the MFP that might need to be opened to clear jams are equipped with green handles for rapid identification.

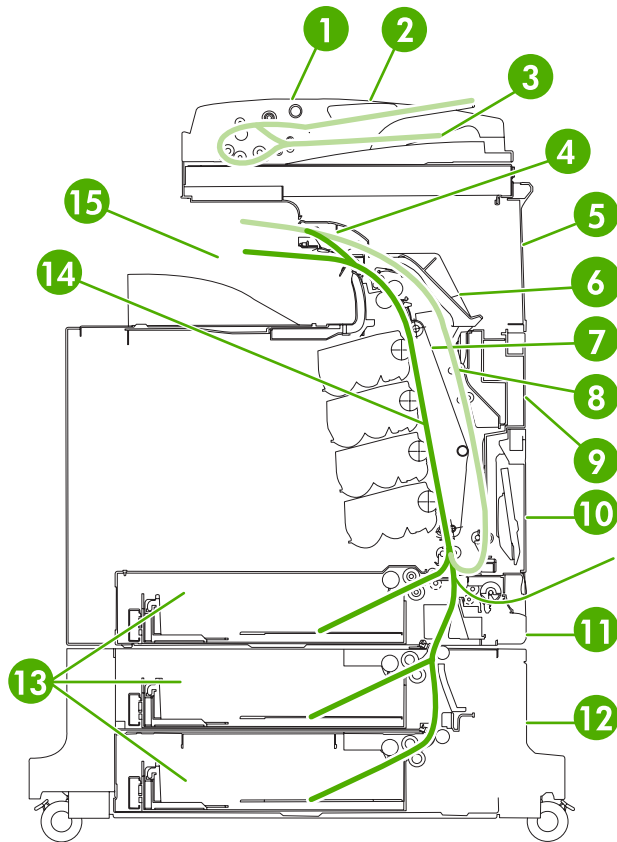


Figure 12-1 Paper jam locations

1	ADF access cover
2	ADF input tray
3	ADF output tray
4	Duplexer cover
5	Upper right door
6	Fuser cover
7	Transfer unit
8	Duplex paper path
9	Middle right door
10	Paper Tray 1 (Multipurpose tray)
11	Drawer below Tray 1

12	Lower right door
13	Paper Trays 2, 3 and 4
14	Paper path
15	Output area

Paper jam recovery

This MFP automatically provides paper jam recovery, a feature that allows you to set whether the MFP should attempt to automatically reprint jammed pages. The options are:

- **AUTO** — MFP will attempt to reprint jammed pages.
- **OFF** — MFP will not attempt to reprint jammed pages.



NOTE During the recovery process, the MFP might reprint several good pages that were printed before the paper jam occurred. Be sure to remove any duplicated pages.

To disable paper jam recovery

1. Press **Menu** to enter the **MENUS**.
2. Touch **CONFIGURE DEVICE**.
3. Touch **SYSTEM SETUP**.
4. Touch **JAM RECOVERY**.
5. Touch **OFF**.
6. Touch **EXIT**.

To improve print speed and increase memory resources, you might want to disable paper jam recovery. If paper jam recovery is disabled, the pages involved in a jam will not be reprinted.

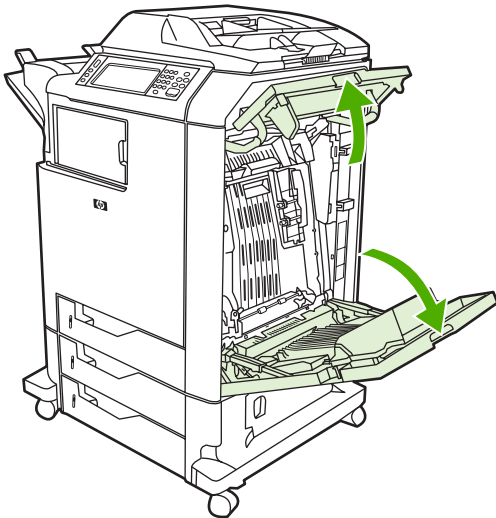
Clearing jams

This section contains the following procedures for clearing jams:

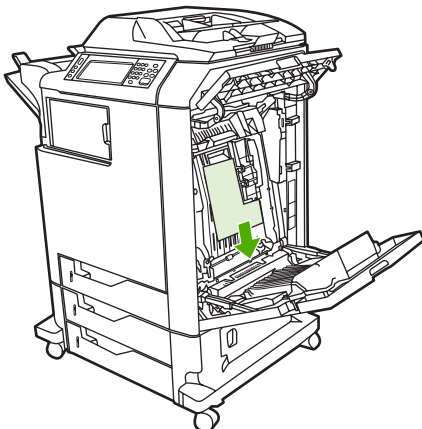
- [Clearing jams in the right covers](#)
- [Jam in Tray 1](#)
- [Jam in Tray 2, 3, or 4](#)
- [Jam in the stapler/stacker](#)
- [Staple jams](#)
- [Jam in the 3-bin mailbox](#)
- [Other jams in the output accessory bridge](#)
- [Jam in the ADF](#)

Clearing jams in the right covers

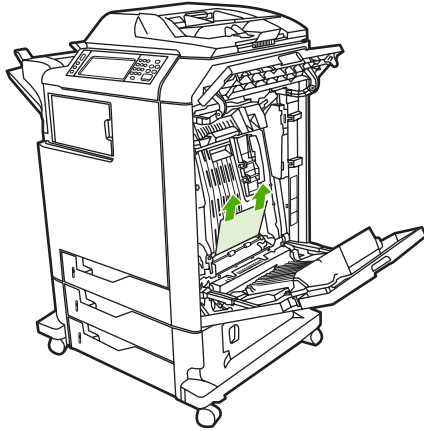
1. Using the handles, open the covers on the right side of the printer.



2. If media is present in the upper area, grasp the media by both corners and pull down.

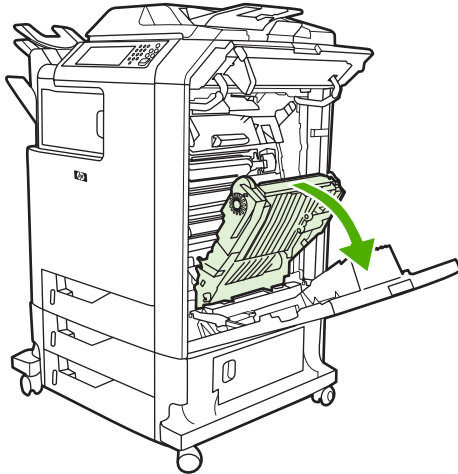


3. If media is present in the lower area, grasp the media by both corners and pull up.

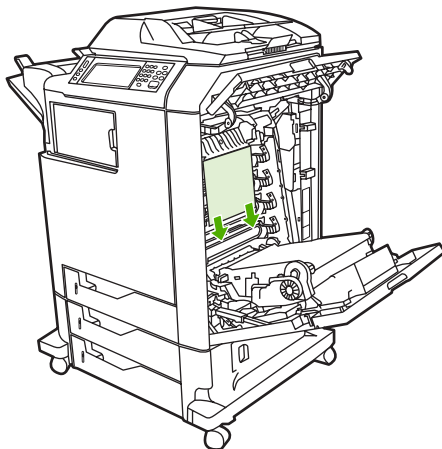


NOTE If no media is present at these locations, continue to the next step.

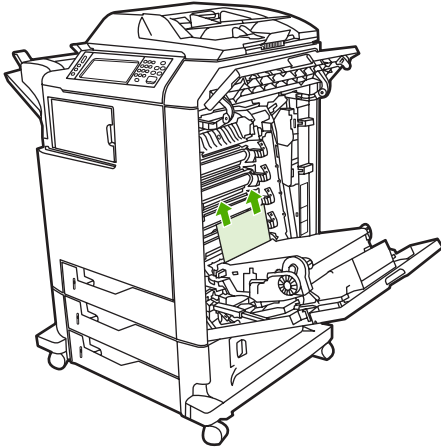
4. Grasp the green handle on the transfer unit and pull down to open it.



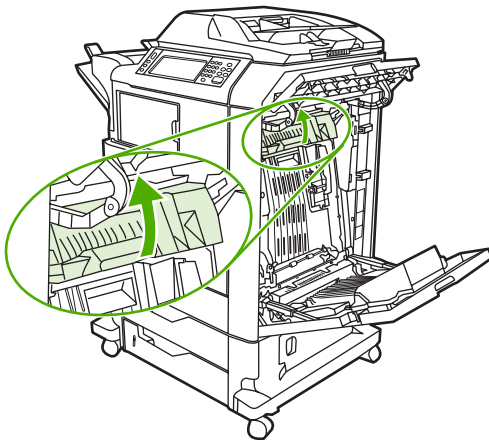
5. If media is present in the upper area, grasp the media by both corners and pull down.



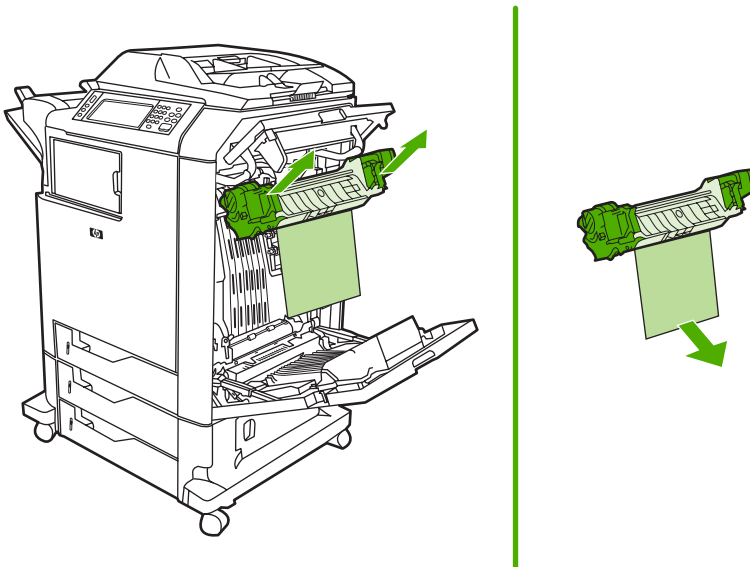
6. If media is present in the lower area, grasp the media by both corners and pull up.



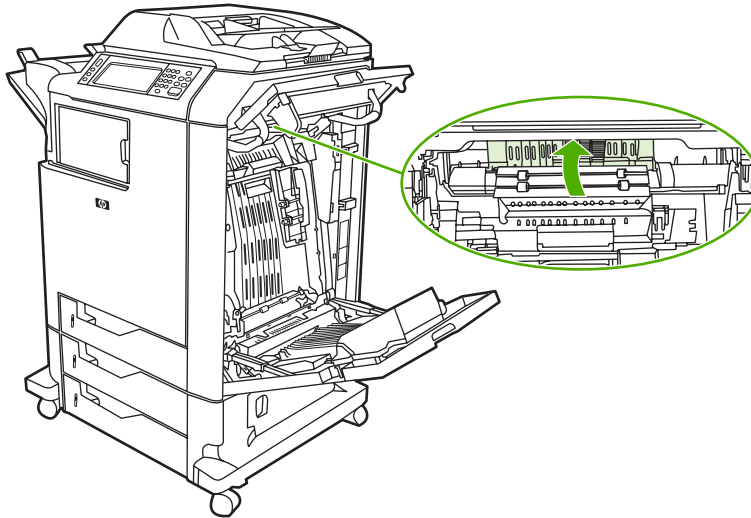
7. Lift the green handle on the fuser cover to open the cover.



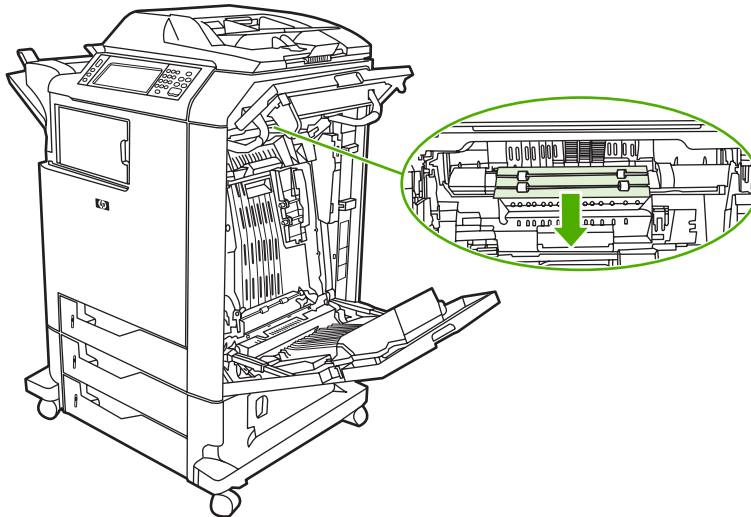
8. Pull the fuser upward to remove any paper.



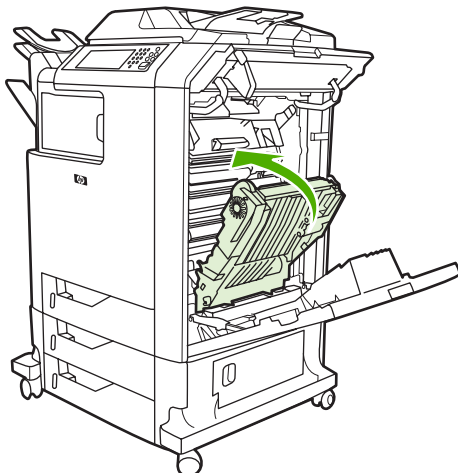
9. Lift the green handle on the duplexer cover to open it.



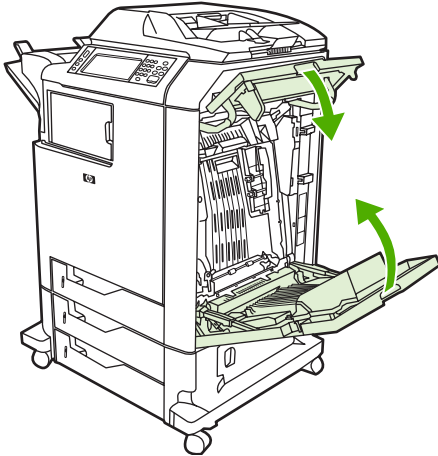
10. Remove any jammed paper.



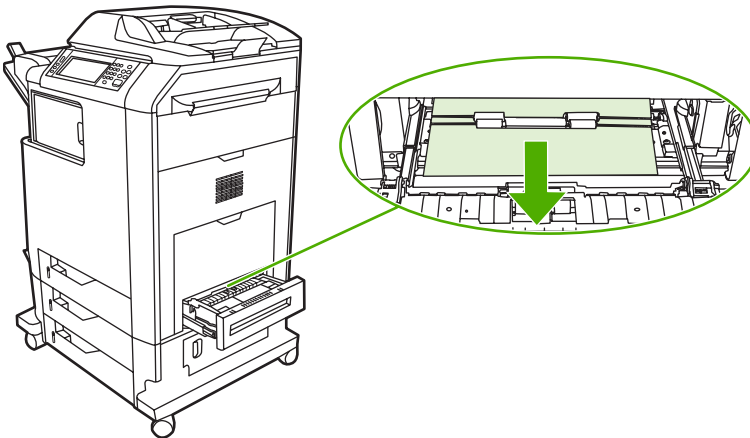
11. Close the transfer unit.



12. Close the covers on the right side of the printer.

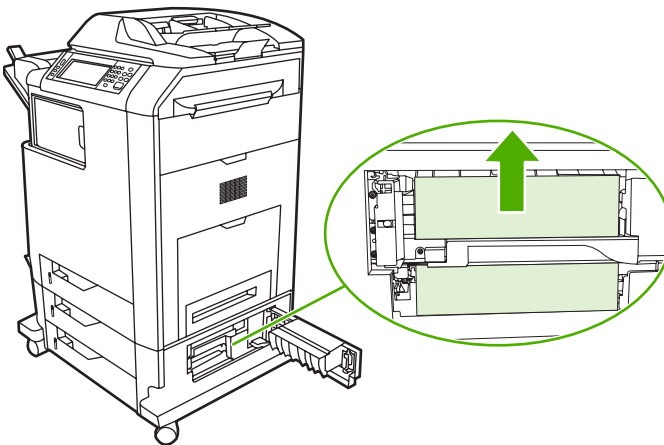


13. If the jam has not cleared, open the drawer below Tray 1 and remove any jammed paper.



14. Close the drawer.

15. If the jam still has not cleared, open the lower access door and remove any jammed paper.



16. Close the lower access door. If the jam has cleared, the print job will continue.

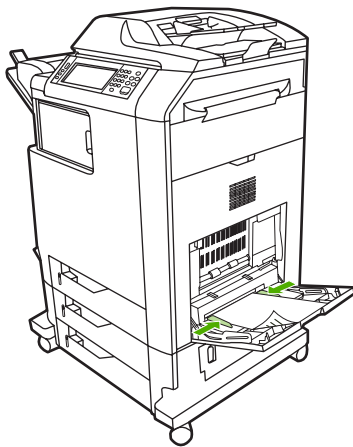
17. If the jam is still not cleared and you are printing from Tray 1, see [Jam in Tray 2, 3, or 4](#).

Jam in Tray 1



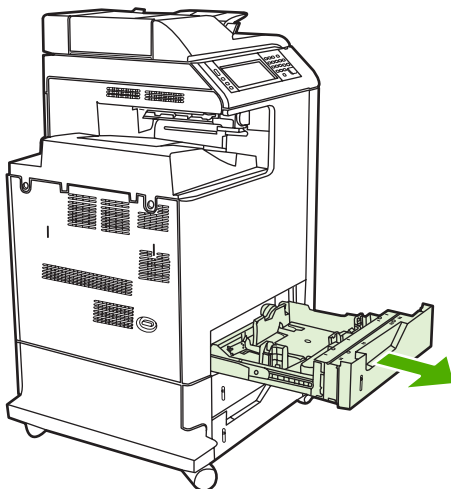
NOTE If the protective insert does not eject properly when the printer is first installed, follow this procedure to clear the jam.

1. Perform the steps in [Clearing jams in the right covers](#).
2. Remove loaded media.
3. Remove any jammed paper from the tray.
4. Reload the media.
5. Verify that the media is located correctly and is not above the fill tabs.
6. Confirm that the guides are in the correct position.



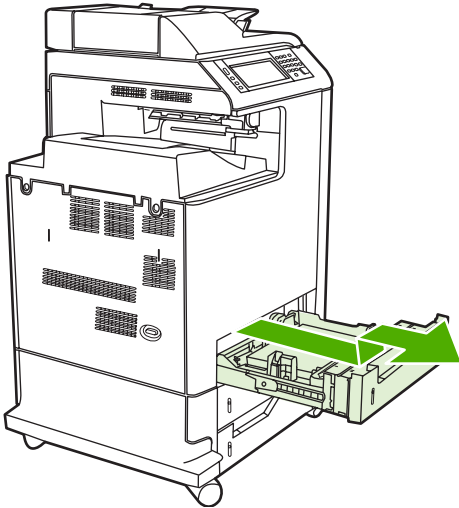
Jam in Tray 2, 3, or 4

1. Perform the steps in [Clearing jams in the right covers](#).
2. Slide the indicated tray out and remove any jammed paper.

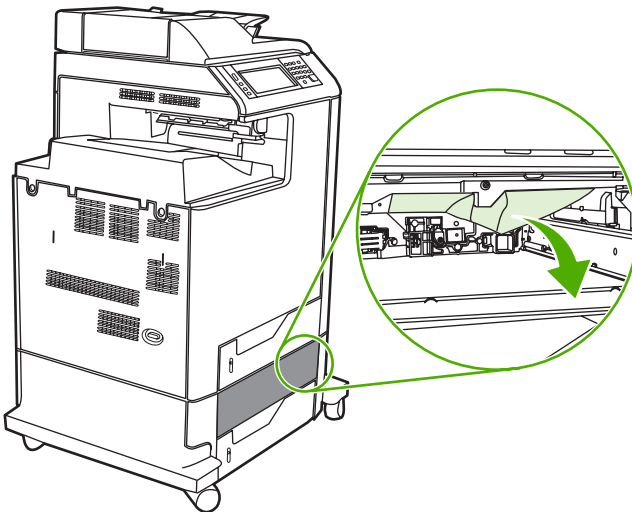


3. Close the tray. If the jam is cleared, the print job will continue.

4. If the paper jam still does not clear, lift the tray and remove it from the MFP. The following diagram shows an example of removing Tray 2.



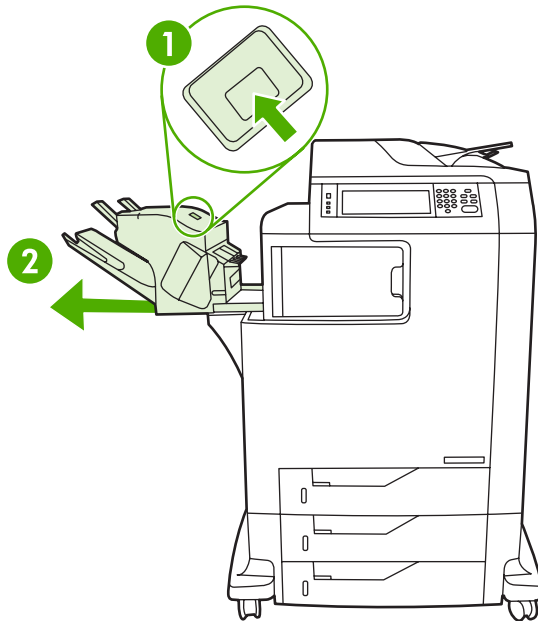
5. Remove any paper jam behind the tray. The following diagram shows a possible paper jam behind Tray 2. Remove jams in Trays 3 and 4 following the same procedure.



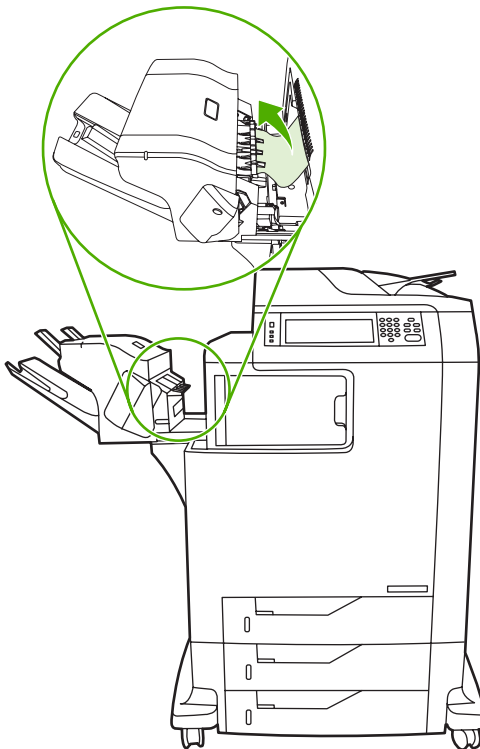
6. Insert the paper tray.

Jam in the stapler/stacker

1. Push the release lever on the top of the stapler/stacker.
2. Slide the stapler/stacker out.



3. Remove any media between the stapler/stacker and the MFP.



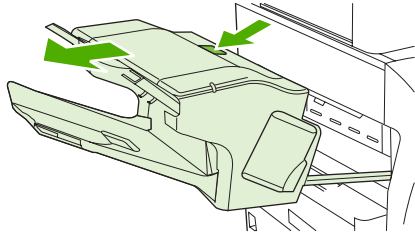
4. If the jam does not clear, see [Other jams in the output accessory bridge](#).

To clear staple jams, see [Staple jams](#).

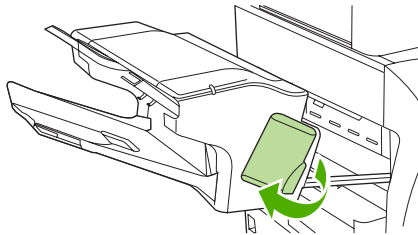
Staple jams

Occasionally, staples become jammed in the stapler/stacker. If jobs are not being stapled correctly or are not being stapled at all, use this procedure to clear staple jams.

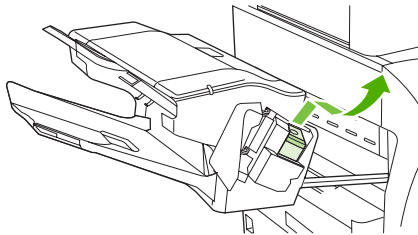
1. Turn off the MFP.
2. Press and hold the release button on the top of the stapler/stacker. Pull the stapler/stacker away from the MFP.



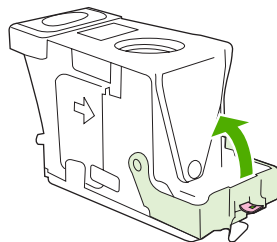
3. Open the staple cartridge cover.



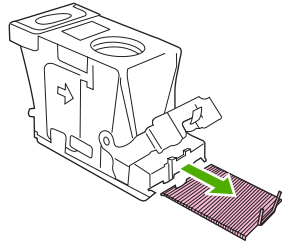
4. To remove the staple cartridge, pull up on the green handle and pull out the staple cartridge.



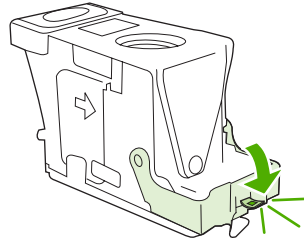
5. Lift up on the small lever at the back of the staple cartridge.



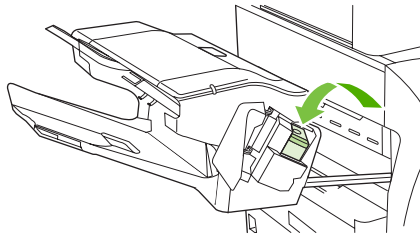
6. Remove the staples that protrude from the staple cartridge.



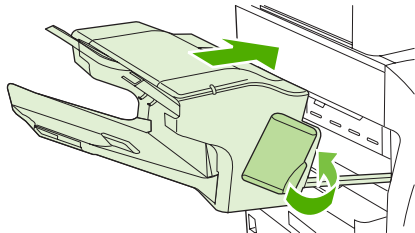
7. Close the lever at the back of the staple cartridge. Be sure that it snaps into place.



8. Reinsert the staple cartridge into the staple-cartridge holder, and push down on the green handle until it snaps into place.



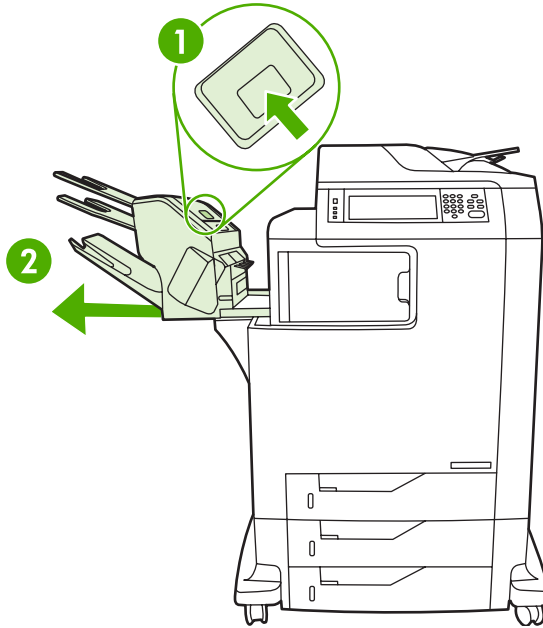
9. Close the staple-cartridge cover, and slide the stapler/stacker into the MFP.



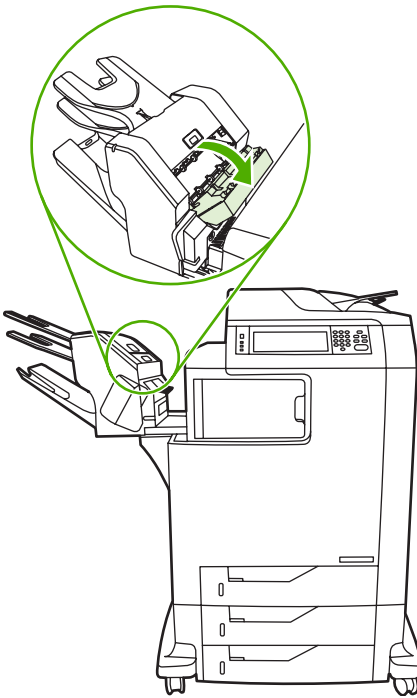
Jam in the 3-bin mailbox

1. Push the release button on the top of the 3-bin mailbox.

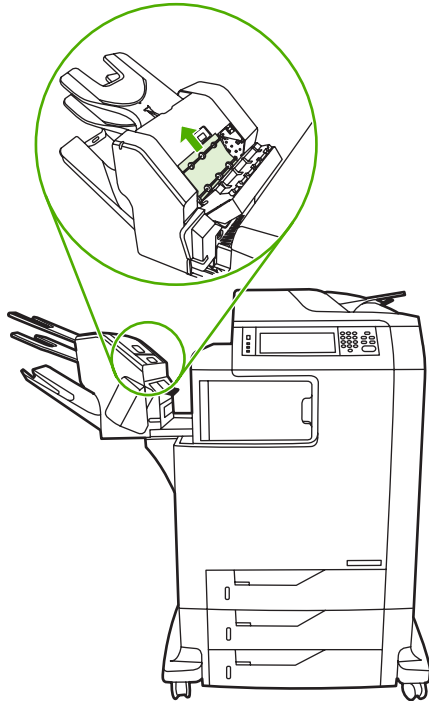
2. Slide the 3-bin mailbox out from the MFP.



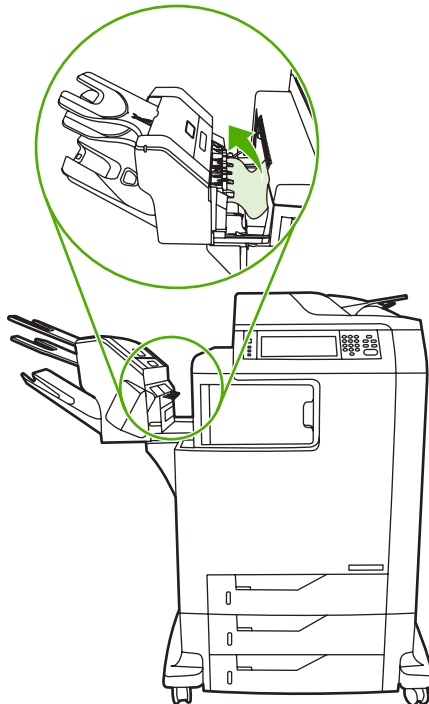
3. Open the cover on the top of the 3-bin mailbox.



4. Remove any media inside the cover.



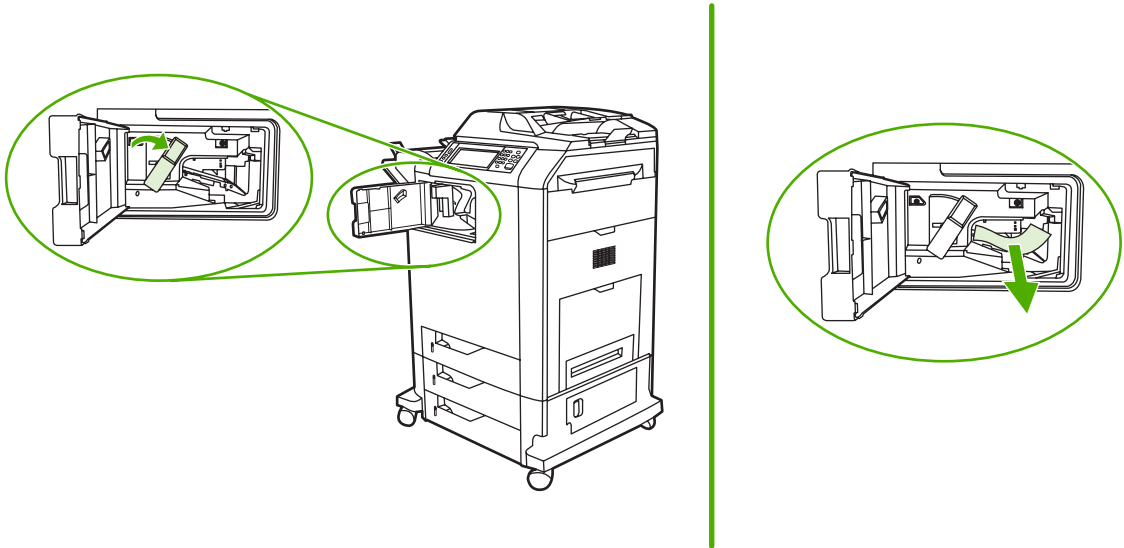
5. Close the door and remove any media between the MFP and the 3-bin mailbox.



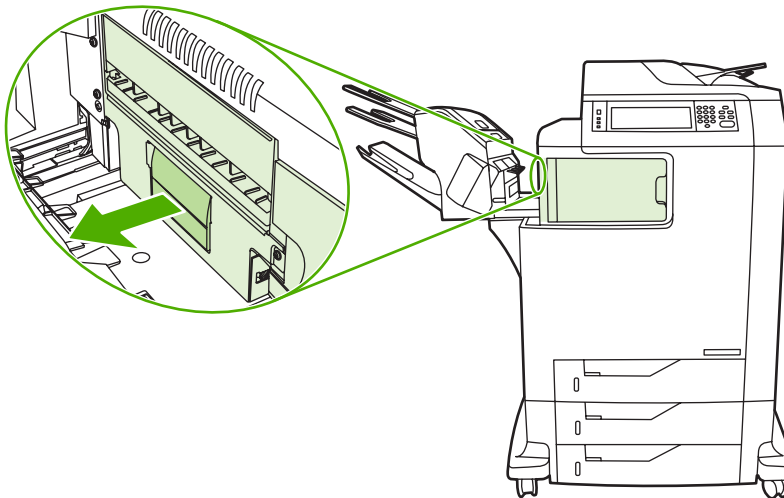
Other jams in the output accessory bridge

If a 3-bin mailbox or a stapler/stacker is installed on the MFP, complete the following procedure to clear a jam in the output accessory bridge.

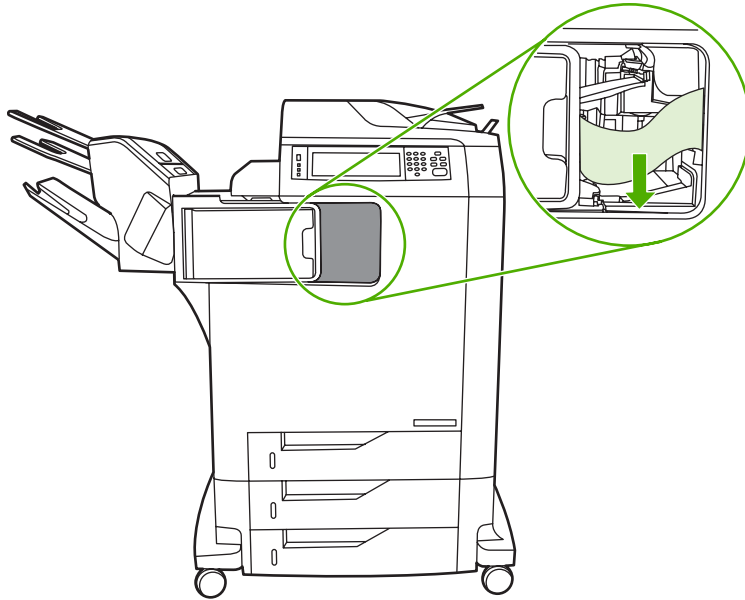
1. Open the cover to the output accessory bridge.
2. Push down on the green lever, remove any media inside the output accessory bridge, and push the green lever up.



3. Close the cover to the output accessory bridge.
4. If the jam still does not clear, grasp the handle on the output accessory bridge and slide the output accessory bridge away from the MFP.



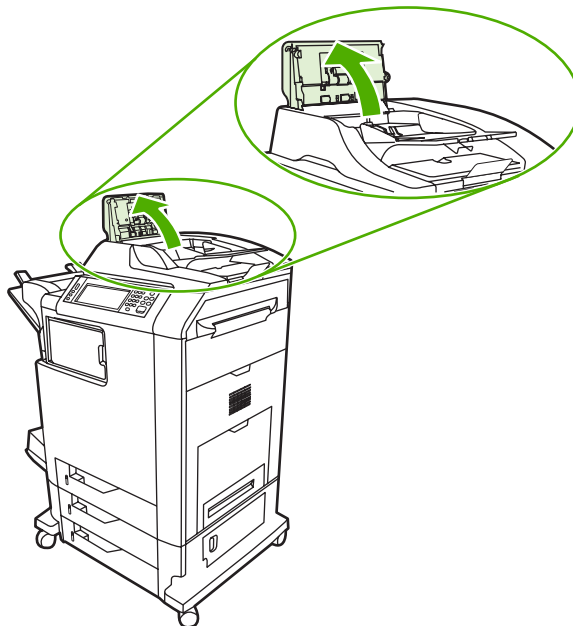
5. Look for paper on top of the output accessory bridge.



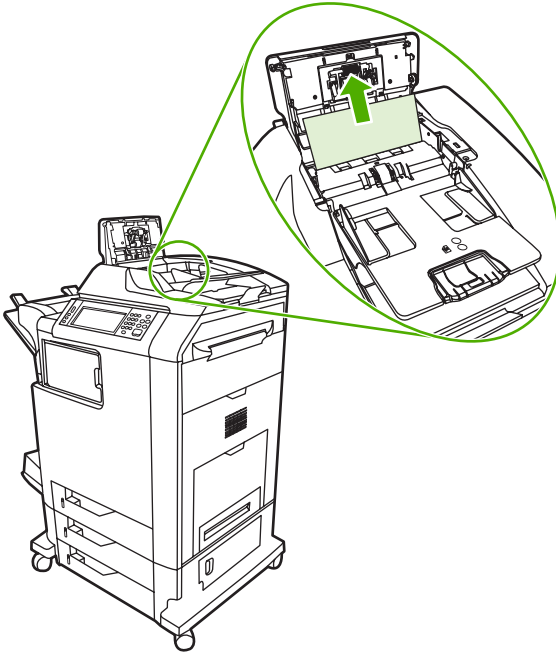
6. Slide the output accessory bridge back into the MFP.
7. Slide the 3-bin mailbox or stapler/stacker back into the MFP.

Jam in the ADF

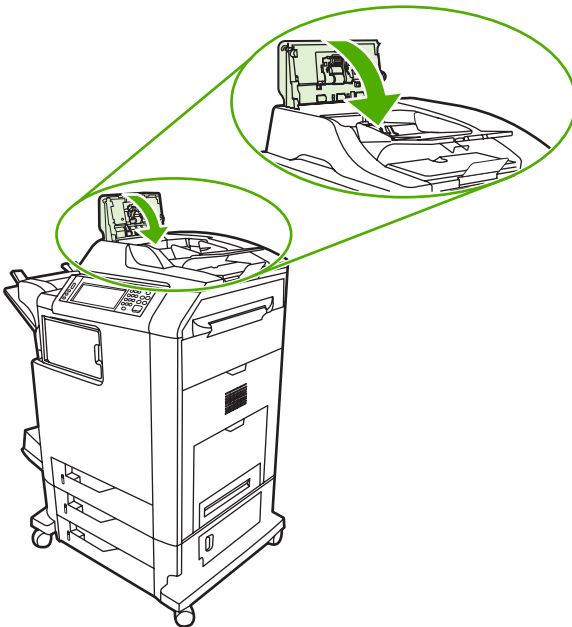
1. Open the ADF cover.



2. Remove any jammed media.



3. Close the ADF cover.




Media-handling problems

Use only media that meets the specifications outlined in the *HP LaserJet Printer Family Print Media Guide*. For ordering information, see [Supplies and accessories](#).

For paper specifications for this MFP, see [Supported media weights and sizes](#).

Printer feeds multiple sheets

Printer feeds multiple sheets

Cause	Solution
The input tray is overfilled.	Remove excess media from the input tray.
Print media is sticking together.	Remove media, flex it, rotate it 180 degrees or flip it over, and then reload it into the tray.
	 NOTE Do not fan media. Fanning can cause static electricity, which can cause media to stick together.
Media does not meet the specifications for this MFP.	Use only media that meets HP media specifications for this MFP. See Supported media weights and sizes .
Trays are not properly adjusted.	Make sure that the rear media-length guide indicates the length of media being used.

Printer feeds incorrect page size

Printer feeds incorrect page size

Cause	Solution
The correct size media is not loaded in the input tray.	Load the correct size media in the input tray.
The correct size media is not selected in the software application or printer driver.	Confirm that the settings in the application and printer driver are appropriate, since the application settings override the printer driver and control panel settings, and the printer driver settings override the control panel settings. For more information, see Printer drivers or Printer drivers for Macintosh computers .
The correct size media for Tray 1 is not selected in the MFP control panel.	From the control panel, select the correct size media for Tray 1.
The media size is not configured correctly for the input tray.	Print a configuration page or use the control panel to determine the media size for which the tray is configured.
The guides in the tray are not against the paper.	Verify that the rear and width media guides are touching the paper.

Printer pulls from incorrect tray

Printer pulls from incorrect tray

Cause	Solution
You are using a driver for a different printer. For more information, see Printer drivers or Printer drivers for Macintosh computers .	Use a driver for this printer.
The specified tray is empty.	Load media in the specified tray.
Tray behavior for the requested tray is set to FIRST in the SYSTEM SETUP submenu of the CONFIGURE DEVICE menu.	Change the setting to EXCLUSIVELY .
The media size is not configured correctly for the input tray.	Print a configuration page or use the control panel to determine the media size for which the tray is configured.
The guides in the tray are not against the paper.	Verify that the guides are touching the paper.

Media does not feed automatically

Media does not feed automatically

Cause	Solution
Manual feed is selected in the software application.	Load Tray 1 with media, or, if the media is loaded, touch OK .
The correct size media is not loaded.	Load the correct size media.
The input tray is empty.	Load media into the input tray.
Media from a previous jam has not been completely removed.	Open the MFP and remove any media in the paper path. Closely inspect the fuser area for jams. See Paper jams .
The media size is not configured correctly for the input tray.	Print a configuration page or use the control panel to determine the media size for which the tray is configured.
The guides in the tray are not against the paper.	Verify that the rear and width media guides are touching the paper.

Media does not feed from Tray 2, 3, or 4

Media does not feed from Tray 2, 3, or 4

Cause	Solution
The correct size media is not loaded.	Load the correct size media.
The input tray is empty.	Load media in the input tray.
The correct media type for the input tray is not selected in the MFP control panel.	From the MFP control panel, select the correct media type for the input tray.
Media from a previous jam has not been completely removed.	Open the MFP and remove any media in the paper path. Closely inspect the fuser area for jams. See Paper jams .
None of the optional trays appear as input tray options.	The optional trays only display as available if they are installed. Verify that any optional trays are correctly installed. Verify that the printer driver has been configured to recognize the optional

Media does not feed from Tray 2, 3, or 4

Cause	Solution
	trays. For more information, see Printer drivers or Printer drivers for Macintosh computers .
An optional tray is incorrectly installed.	Print a configuration page to confirm that the optional tray is installed. If not, verify that the tray is correctly attached to the MFP.
The media size is not configured correctly for the input tray.	Print a configuration page or use the control panel to determine the media size for which the tray is configured.
The guides in the tray are not against the paper.	Verify that the guides are touching the paper.

Transparencies or glossy paper will not feed

Transparencies or glossy paper will not feed

Cause	Solution
The correct media type is not specified in the software or printer driver.	Verify that the correct media type is selected in the software or printer driver.
The input tray is overfilled.	Remove excess media from the input tray. Do not load more than 200 sheets of glossy paper or glossy film, or more than 100 transparencies in Tray 2, 3, or 4. Do not exceed the maximum stack height for Tray 1.
Media in another input tray is the same size as the transparencies, and the MFP is defaulting to the other tray.	Make sure that the input tray containing the transparencies or glossy paper is selected in the software application or printer driver. Use the MFP control panel to configure the tray to the media type loaded. For more information, see Printer drivers or Printer drivers for Macintosh computers .
The tray containing the transparencies or glossy paper is not configured correctly for type.	Make sure that the input tray containing the transparencies or glossy paper is selected in the software application or printer driver. Use the MFP control panel to configure the tray to the media type loaded. See Configuring input trays .
Transparencies or glossy paper might not meet supported media specifications.	Use only media that meets the HP media specifications for this MFP. See Supported media weights and sizes .

Envelopes jam or will not feed in the MFP

Envelopes jam or will not feed in the MFP

Cause	Solution
Envelopes are loaded in an unsupported tray. Only Tray 1 can feed envelopes.	Load envelopes into Tray 1.
Envelopes are curled or damaged.	Try using different envelopes. Store envelopes in a controlled environment.
Envelopes are sealing because the moisture content is too high.	Try using different envelopes. Store envelopes in a controlled environment.

Envelopes jam or will not feed in the MFP

Cause	Solution
Envelope orientation is incorrect.	Verify that the envelope is loaded correctly. See Configuring input trays .
This MFP does not support the envelopes being used.	See Supported media weights and sizes or the <i>HP LaserJet Printer Family Print Media Guide</i> .
Tray 1 is configured for a size other than envelopes.	Configure Tray 1 size for envelopes.

Output is curled or wrinkled

Output is curled or wrinkled

Cause	Solution
Media does not meet the specifications for this MFP.	Use only media that meets the HP media specifications for this MFP. See Supported media weights and sizes .
Media is damaged or in poor condition.	Remove media from the input tray and load media that is in good condition.
Printer is operating in an excessively humid environment.	Verify that the printing environment is within humidity specifications. See Environmental specifications .
You are printing large, solid-filled areas.	Large, solid-filled areas can cause excessive curl. Try using a different pattern.
Media used was not stored correctly and might have absorbed moisture.	Remove media and replace it with media from a fresh, unopened package.
Media has poorly cut edges.	Remove media, flex it, rotate it 180 degrees or turn it over, and then reload it into the input tray. Do not fan media. If the problem persists, replace the media.
The specific media type was not configured for the tray or selected in the software.	Configure the software for the media (see the software documentation). Configure the tray for the media, see Configuring input trays .

Printer will not duplex or duplexes incorrectly

Printer will not duplex or duplexes incorrectly

Cause	Solution
You are trying to duplex on unsupported media.	Verify that the media is supported for duplex printing. See Supported media weights and sizes .
The printer driver is not set up for duplex printing.	Set up the printer driver to enable duplex printing.
The first page is printing on the back of preprinted forms or letterhead.	Load preprinted forms and letterhead in Tray 1 with the letterhead or printed side up and the bottom of the page feeding into the MFP. For Tray 2, 3, and 4, load these media printed side down with the top of the page toward the back of the MFP.

Understanding MFP messages

Messages appear on the control-panel display to relay the normal status of the MFP (such as **Processing...**), or an error condition that needs attention. [Control panel messages](#) lists messages that require attention, or that might raise questions. Messages are listed in alphabetical order, with numeric messages at the beginning of the list. Not all messages are listed because some (such as **Ready**) are self-explanatory.



NOTE Some messages are affected by the **AUTO CONTINUE** and **CLEARABLE WARNINGS** settings in the **CONFIGURE DEVICE** menu, **SYSTEM SETUP** submenu, on the control panel. See [System setup submenu](#) for more information.

Using the MFP help system

This MFP features a help system on the control panel that provides instructions for resolving most MFP errors. Certain control-panel messages alternate with instructions about using the help system.

Whenever a ? appears in an error message or a message alternates with **FOR HELP TOUCH ?**, touch the ? (Help) button to view the help.

To exit the help system, touch the ? (Help) button.

If a message persists

- Some messages (for example, requests to load a tray or a message that a previous print job remains in the MFP memory) allow you to touch **CONTINUE** to print, or to press **Stop** to clear the job and eliminate the message.
- If a message persists after performing all of the recommended actions, contact an HP-authorized service or support provider. (See the HP support flyer, or go to <http://www.hp.com/support/clj4730mfp>.)

Understanding accessory lights for the 3-bin mailbox and stapler/stacker

The following table lists errors that can occur in the 3-bin mailbox or stapler/stacker and that are reported by the accessory lights and on the control-panel display.

Accessory lights

Light	Explanation and solution
Solid green	<ul style="list-style-type: none">• The accessory is receiving power and is ready.• The stapler is low on staples. STAPLER LOW ON STAPLES appears on the control-panel display. Fewer than 20 staples remain in the staple cartridge. Replace the staple cartridge. See Loading staples.• The number of pages in the job exceeds the 30-page limit for stapling. TOO MANY PAGES IN JOB TO STAPLE appears on the MFP control-panel display. For jobs that have more than 30 pages, staple the pages manually.
Solid amber	<ul style="list-style-type: none">• The accessory is experiencing a hardware malfunction. 66.XX.X OUTPUT DEVICE FAILURE appears on the control-panel display. (See the section for this message in Control panel message types.)
Blinking amber	<ul style="list-style-type: none">• The accessory has a staple jam. STAPLER JAM appears on the control-panel display. (See the section for this message in Control panel message types.)• The accessory has a paper jam, or a sheet needs to be removed from the unit, even if the sheet is not jammed. 13.XX.YY JAM IN TOP OUTPUT BIN appears on the control-panel display. (See the section for this message in Control panel message types.)• The bin is full. STACKER BIN FULL appears on the control-panel display. (See the section for Output Bin X Full in Control panel message types.)• The stapler is out of staples. REPLACE STAPLER CARTRIDGE appears on the control-panel display. (See the section for this message in Control panel message types.)• The jam-access cover is open. OUTPUT PAPER PATH OPEN appears on the control-panel display. (See the section for this message in Control panel message types.)• The stapler unit is open. OUTPUT PAPER PATH OPEN appears on the control-panel display. Make sure the staple-cartridge cover is completely closed. (See the section for this message in Control panel message types.)• The firmware is corrupt. CORRUPT FIRMWARE IN EXTERNAL ACCESSORY appears on the control-panel display. (See the section for this message in Control panel message types.)
Off	<ul style="list-style-type: none">• The MFP might be in sleep mode. Press any button on the control panel.• The accessory is not receiving power. Turn the MFP power off. Check that the accessory is properly seated on and connected to the MFP, without any gaps between the MFP and the accessory. Turn the MFP power on.

Light	Explanation and solution
	<ul style="list-style-type: none"><li data-bbox="679 226 1465 302">• The accessory might have been disconnected and reconnected while the MFP power was on. REINSTALL OUTPUT DEVICE appears on the control-panel display. Reconnect the cable on the accessory.<li data-bbox="679 327 1465 407">• The job might have stalled between the MFP and the accessory. Processing... appears on the control-panel display. Turn the MFP power off and then on.

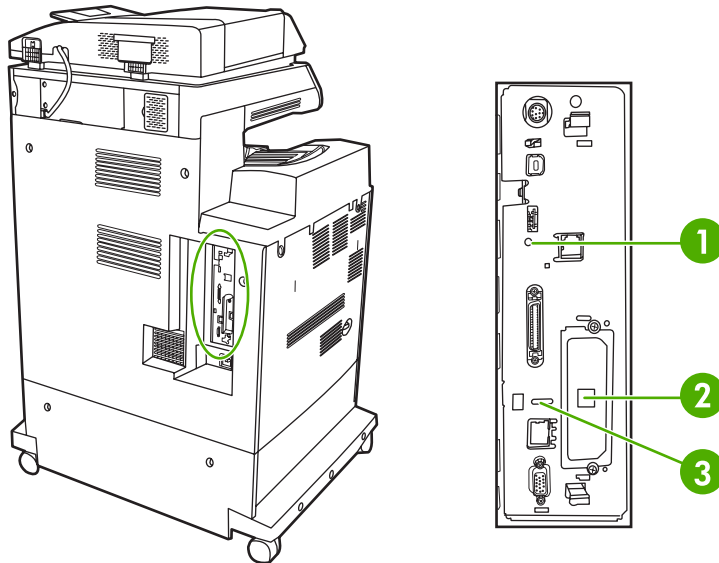
Replacing accessories or accessory components

If you are unable to resolve problems that are indicated by the 3-bin mailbox or stapler/stacker accessory lights, contact the HP Customer Care Center. (See [HP customer care](#).) If an HP Customer Care Center representative recommends replacement of the 3-bin mailbox, the stapler/stacker, or the staple cartridge, see [Ordering parts, accessories, and supplies](#) and [Part numbers](#) for information about ordering a replacement.

- For the steps to replace the entire 3-bin mailbox or the entire stapler/stacker, see the install guide that came with the accessory.
- For the steps to replace the staple cartridge, see [Loading staples](#).

Understanding lights on the formatter

Three LEDs on the formatter indicate that the MFP is functioning correctly.



1	Heartbeat LED
2	HP Jetdirect LEDs (This LED exists only if HP Jetdirect is installed.)
3	Fax LED

HP Jetdirect LEDs

The embedded HP Jetdirect print server has two LEDs. The yellow LED indicates network activity, and the green LED indicates the link status. A blinking yellow LED indicates network traffic. If the green LED is off, a link has failed.

For link failures, check all of the network cable connections. In addition, you can try to manually configure the link settings on the embedded print server by using the MFP control-panel menus.

1. Touch **Menu**.
2. Touch **CONFIGURE DEVICE**.
3. Touch **I/O**.
4. Touch **EMBEDDED JETDIRECT MENU**.
5. Touch **LINK SPEED**. Select the appropriate link speed.

Heartbeat LED

The heartbeat LED indicates that the formatter is functioning correctly. While the MFP is initializing after you turn it on, the LED blinks rapidly, and then turns off. When the MFP has finished the initialization sequence, the heartbeat LED pulses on and off.

If the heartbeat LED is off, the formatter might have a problem. Contact an HP-authorized service or support provider. See the HP support flyer, or go to <http://www.hp.com/support/clj4730mfp>.

Fax LED

The LED on the Analog Fax Accessory indicates that it is functioning correctly. If the LED is off, see the *HP LaserJet Analog Fax Accessory 300 User Guide* for information about solving the problem.

Color printing problems

Printout color error

Table 12-1 Printing black instead of color

cause and solution


Cause	Solution
Color mode is not selected in the software application or printer driver.	Select Color mode instead of Grayscale or Monochrome mode in the software application or printer driver. For more information, see Printer drivers or Printer drivers for Macintosh computers .
The correct printer driver is not selected in your software application.	Select the correct printer driver.
No color appears on the configuration page.	Consult your service representative.

Incorrect shade

Table 12-2 Incorrect shade

cause and solution

Cause	Solution
The media does not meet the specifications for this MFP.	For information on media specifications, see Supported media weights and sizes
You are operating the MFP in excessively humid conditions.	Verify that the MFP's environment is within humidity specifications. See Environmental specifications .

 **NOTE** For more information about color quality problems, see [Calibrating the MFP](#).

Missing color

Table 12-3 Missing color

cause and solution

Cause	Solution
Defective HP print cartridge.	Replace the cartridge.
A non-HP cartridge might be installed.	Ensure that you are using a genuine HP print cartridge.

Cartridge error

Table 12-4 Inconsistent colors after installing a print cartridge

cause and solution


Cause	Solution
Another print cartridge might be low.	Check the supplies gauge on the control panel or print a supplies status page. See Checking the MFP configuration .
Print cartridges might be improperly installed.	Verify that each print cartridge is installed properly.
A non-HP cartridge might be installed.	Ensure that you are using a genuine HP print cartridge.

Color match error

Table 12-5 Printed colors do not match screen colors

cause and solution

Cause	Solution
Extremely light screen colors are not being printed.	The software application might interpret extremely light colors as white. If so, avoid using extremely light colors.
Extremely dark screen colors are being printed in black.	The software application might interpret extremely dark colors as black. If so, avoid using extremely dark colors.
The colors on the computer screen differ from the MFP output.	On the printer driver's Color Control tab, select Screen Match .

 **NOTE** Several factors can influence your ability to match printed colors to those on your screen. These factors include print media, overhead lighting, software applications, operating system palettes, monitors, and video cards and drivers.

Correcting print quality and copy quality problems

This section helps you define print quality problems and what to do to correct them. Often print quality problems can be handled easily by making sure that the MFP is properly maintained, using print media that meets HP specifications, or running a cleaning page.

Print quality problems associated with media

Some print quality problems arise from use of inappropriate media.

- Use paper that meets HP paper specifications. See [Supported media weights and sizes](#).
- The surface of the media is too smooth. Use media that meets HP paper specifications. See [Supported media weights and sizes](#).
- The printer driver setting might be incorrect. Be sure that you have selected the correct driver setting for the paper that you are using.
- The print mode might be set incorrectly, or the paper might not meet recommended specifications. For more information, see [Supported media weights and sizes](#).
- The transparencies you are using are not designed for proper toner adhesion. Use only transparencies designed for HP Color LaserJet printers.
- The moisture content of the paper is uneven, too high, or too low. Use paper from a different source or from an unopened ream of paper.
- Some areas of the paper reject toner. Use paper from a different source or from an unopened ream of paper.
- The letterhead you are using is printed on rough paper. Use a smoother, xerographic paper. If this solves your problem, consult with the printer of your letterhead to verify that the paper used meets the specifications for this MFP. See [Supported media weights and sizes](#).

Overhead transparency defects

Overhead transparencies might display any of the image quality problems that any other type of media could display, as well as defects specific to transparencies. In addition, because transparencies are pliable while in the print path, they are subject to being marked by the media-handling components.



NOTE Allow transparencies to cool at least 30 seconds before handling them.

- On the printer driver's **Paper** tab, select **Transparency** as the media type. Also, make sure that the tray is correctly configured for transparencies.
- Check that the transparencies meet the specifications for this MFP. See [Supported media weights and sizes](#).

For ordering information, see [Supplies and accessories](#).

- Handle transparencies by the edges. Skin oil on the surface of transparencies can cause spots and smudges.
- Small, random dark areas on the trailing edge of solid fill pages might be caused by transparencies sticking together in the output bin. Try printing the job in smaller batches.

- The selected colors are undesirable when printed. Select different colors in the software application or printer driver.
- If you are using a reflective overhead projector, use a standard overhead projector instead.

Print quality problems associated with the environment

The MFP is operating in excessively humid or dry conditions. Verify that the printing environment is within specifications. See [Environmental specifications](#).

Print quality problems associated with jams

- Make sure that all media is cleared from the paper path. See [Paper jam recovery](#).
- The MFP recently jammed. Print two to three pages to clean the MFP.
- The media does not pass through the fuser causing image defects to appear on subsequent documents. Print two to three pages to clean the MFP. However, if the problem persists see the next section.

Print quality troubleshooting pages

The print quality troubleshooting pages provide information on aspects of the MFP that affect print quality.

1. Press **Menu** to enter the **MENUS**.
2. Touch **DIAGNOSTICS**.
3. Touch **PQ TROUBLESHOOTING**.

The message **Printing... PQ troubleshooting** appears on the display until the MFP finishes printing the print quality troubleshooting information. The MFP returns to the **Ready** state after printing the print quality troubleshooting information.

The print quality troubleshooting information includes one page for each color (black, magenta, cyan, and yellow), MFP statistics related to print quality, instructions on interpreting the information, and procedures to solve print quality problems.

If following the procedures recommended by the print quality troubleshooting pages do not improve print quality, go to <http://www.hp.com/support/clj4730mfp>.

Print quality troubleshooting tool

The print quality troubleshooting tool helps you identify and troubleshoot print quality issues for the HP Color LaserJet 4730 MFP. The tool includes solutions for many print quality issues, using standard images to provide a common diagnostic environment. It is designed to provide intuitive, step-by-step directions for printing troubleshooting pages that are used to isolate print quality problems and provide possible solutions.

To find the print quality troubleshooting tool, go to the following quick URL: <http://www.hp.com/go/printquality/clj4730>

Image defect examples

This section contains two tables: one table shows examples of common print-quality problems, and the other table shows examples of common copy-quality problems that can occur when using the automatic

document feeder (ADF). These tables also contain remedies for correcting the problem. If you still have problems after trying the suggested remedies, contact HP Customer Support. (See [HP customer care](#).)

Table 12-6 Defects that can occur during printing



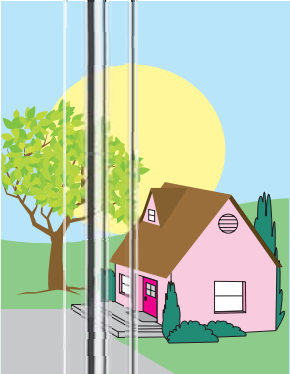



	<p>Horizontal lines or streaks</p> <ul style="list-style-type: none"> • Make sure that the operation and location requirements of the MFP are met. • Print the Print Quality Troubleshooting Pages (see Calibrating the MFP) and follow the diagnostic procedure listed on the first page to help isolate the defect to a particular component. 		<p>Misaligned colors</p> <ul style="list-style-type: none"> • Calibrate the MFP. See Calibrating the MFP and follow the instructions.
	<p>Vertical lines</p> <ul style="list-style-type: none"> • Print the Print Quality Troubleshooting Pages (see Calibrating the MFP) and follow the diagnostic procedure listed on the first page to help isolate the defect to a particular component. 		<p>Repetitive defects</p> <ul style="list-style-type: none"> • Make sure that the operation and location requirements of the MFP are met. • Print the Print Quality Troubleshooting Pages (see Calibrating the MFP) and follow the diagnostic procedure listed on the first page to help isolate the defect to a particular component.
	<p>Color fade in all colors</p> <ul style="list-style-type: none"> • Make sure that the operation and location requirements of the MFP are met. • Calibrate the MFP. 		<p>Color fade in one color</p> <ul style="list-style-type: none"> • Make sure that the operation and location requirements of the MFP are met. • Calibrate the MFP. • Print the Print Quality Troubleshooting Pages (see Calibrating the MFP) and follow the diagnostic procedure listed on the first page to help isolate the defect to a particular component.

Table 12-6 Defects that can occur during printing (continued)



Fingerprints and media dents

- Make sure to use supported media.
- Make sure that the media you are using does not have any wrinkles or dents from handling, and that the media is not contaminated with visible fingerprints or other foreign substances.
- Print the Print Quality Troubleshooting Pages (see [Calibrating the MFP](#)) and follow the diagnostic procedure listed on the first page to help isolate the defect to a particular component.



Loose toner

- Make sure that the operation and location requirements of the MFP are met.
- Make sure to use supported media.
- Make sure that the media type and size for the tray are set correctly in the control panel for the media that you are using.
- Make sure that the media is loaded correctly and that the size guides are touching the edges of the stack of media.

Make sure that the media you are using does not have any wrinkles or dents from handling, and that the media is not contaminated with visible fingerprints or other foreign substances.



Smearred toner

- Make sure to use supported media.



White areas (dropouts) on page

- Make sure that the operation and location requirements of the MFP are met.
- Make sure to use supported media.
- Make sure that the media you are using does not have any wrinkles or dents from handling, and that the media is not contaminated with visible fingerprints or other foreign substances.
- Make sure that the media type and size for the tray are set correctly in the control panel for the media that you are using.

Table 12-6 Defects that can occur during printing (continued)

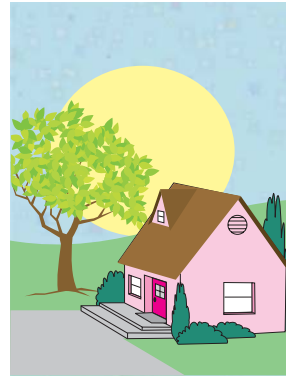
- Calibrate the MFP.
 - Print the Print Quality Troubleshooting Pages (see [Calibrating the MFP](#)) and follow the diagnostic procedure listed on the first page to help isolate the defect to a particular component.
-

Table 12-6 Defects that can occur during printing (continued)



Media damage (wrinkles, curl, creases, tears)

- Make sure that the operation and location requirements of the MFP are met.
- Make sure to use supported media.
- Make sure that the media is loaded correctly.
- Make sure that the media type and size for the tray are set correctly in the control panel for the media that you are using.
- Make sure that the media you are using does not have any wrinkles or dents from handling, and that the media is not contaminated with visible fingerprints or other foreign substances.
- Make sure that the following supplies are seated correctly:
 - fuser
 - transfer belt
- Inspect the jam areas and remove any undetected jammed or torn media.



Specks or stray toner

- Make sure that the operation and location requirements of the MFP are met.
- Make sure to use supported media.
- Make sure that the media type and size for the tray are set correctly in the control panel for the media that you are using.
- Calibrate the MFP.
- Print the Print Quality Troubleshooting Pages (see [Calibrating the MFP](#)) and follow the diagnostic procedure listed on the first page to help isolate the defect to a particular component.



Skewed, stretched, or off-center page

- Make sure that the operation and location requirements of the MFP are met.
- Make sure to use supported media.
- Make sure that the media is loaded correctly.
- For problems with page skew, turn over the stack of media and rotate the stack 180 degrees.

Table 12-6 Defects that can occur during printing (continued)

- Make sure that the fuser and transfer belt are seated correctly.
- Inspect the jam areas and remove any undetected jammed or torn media.
- If printing from the multipurpose tray, make sure that the side guides are set correctly.

Table 12-7 Defects that can occur when using the ADF




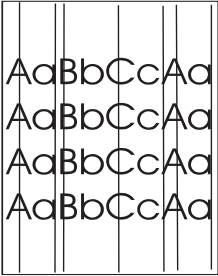
	<p>Blank page</p> <ol style="list-style-type: none"> 1. Remove and then reinsert the original page into the ADF, making sure it is placed face-up. 2. If several pages are feeding at the same time, check the ADF separation pad and rollers for damage. If the rollers are dirty, clean them. See Cleaning the ADF delivery system. If the ADF separation pad or rollers are worn, replace them. 		<p>Horizontal lines</p> <ol style="list-style-type: none"> 1. Clean the ADF. See Cleaning the ADF delivery system. 2. Verify that no paper is on top of the scanner glass or stuck to the bottom of the scanner lid. 3. If the mylar strip is dirty or worn, replace it. Replacement mylar strips are stored in an envelope that is underneath the white, vinyl ADF backing. Follow the instructions that are in the envelope.
	<p>Page skew</p> <p>The MFP has the following skew specifications:</p> <ul style="list-style-type: none"> • Cut-sheet paper; simplex and duplex: less than 1.5 mm (0.06 inches) over a 260 mm (10.24 inches) length • Envelopes: less than 3.3 mm (0.13 inches) 		<p>Vertical lines</p> <ol style="list-style-type: none"> 1. Clean the ADF. See Cleaning the ADF delivery system. 2. Verify that no paper is on top of the scanner glass or stuck to the bottom of the scanner lid. 3. If the mylar strip is dirty or worn, replace it. Replacement mylar strips are stored in an envelope that is underneath the white, vinyl ADF backing. Follow the instructions that are in the envelope.

Table 12-7 Defects that can occur when using the ADF (continued)

over a 220 mm (9.66 inches) length

1. Make sure the ADF input tray guides are adjusted so that they are lightly touching the sides of the paper stack.
2. If the mylar strip is dislodged, folded, or misinstalled, verify it is correctly installed. If the mylar strip is worn, replace it. Replacement mylar strips are stored in an envelope that is underneath the white, vinyl ADF backing. Follow the instructions that are in the envelope.
3. Clean the ADF rollers. See [Cleaning the ADF delivery system](#).
4. If the problem persists, calibrate the scanner. See [Calibrating the scanner](#).

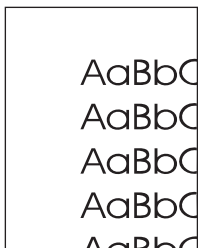
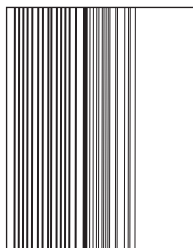


Image shifted

An image that is shifted on the page horizontally, vertically, or both ways indicates that the scanner is incorrectly calibrated. See [Calibrating the scanner](#).

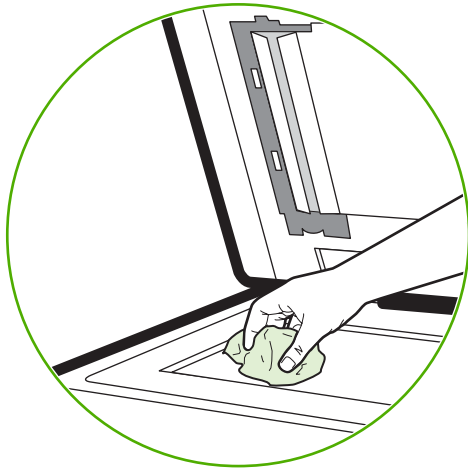


Unexpected image

If the copy does not look at all like the original document, make sure that no media is on the flatbed glass from a previous copy job.

Cleaning the scanner glass

Clean the scanner glass only if dirt is visible, or if you are experiencing a decrease in copy quality, such as streaking.



Clean the scanner by wiping it gently with a clean, slightly damp, lint-free cloth. Use an ammonia-based surface cleaner only when a water-dampened cloth does not clean the scanner glass. Spray or pour the cleaner onto the cleaning cloth. Do not spray or pour the cleaner onto the scanner glass.

Calibrating the MFP

The MFP automatically calibrates and cleans at various times to maintain the highest level of print quality. The user might also request the MFP to calibrate via the MFP's control panel, using **QUICK CALIBRATE NOW** or **FULL CALIBRATE NOW** located in the **CALIBRATION** and **PRINT QUALITY** menu. **QUICK CALIBRATE NOW** is used for D-Half color tone calibration. If color density or tone seems wrong, Quick Calibration can be run. Full Calibration includes the Quick Calibrate routines and adds Drum Phase Calibration, Color Plane Registration (CPR), and copy parameter calibration routines. If color layers (black, magenta, cyan, and yellow) on the printed page seem to be shifted from one another, **FULL CALIBRATE NOW** should be run.

The HP Color LaserJet 4730 MFP incorporates a new feature to skip calibration when appropriate, thereby making the MFP available more quickly. For example, if the MFP is powered off and on quickly (within 20 seconds), calibration is not needed and will be skipped. In this case, the MFP will reach the **Ready** state approximately one minute sooner.

While the MFP is calibrating and cleaning, the MFP will pause printing for the amount of time it takes to complete the calibration or cleaning. For most calibrations and cleaning, the MFP will not interrupt a print job, but will wait for the job to complete before calibrating or cleaning.

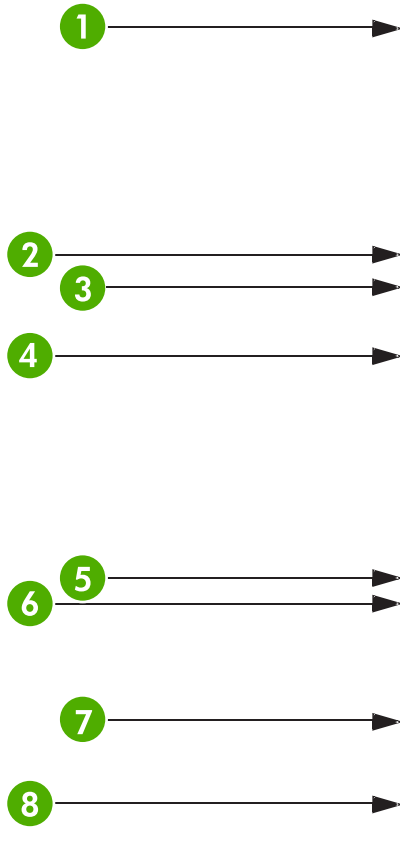
1. Press **Menu** to enter the **MENUS**.
2. Touch **CONFIGURE DEVICE**.
3. Touch **PRINT QUALITY**.
4. Touch **QUICK CALIBRATE NOW**.

OR

To perform a full calibration, use **FULL CALIBRATE NOW** instead of **QUICK CALIBRATE NOW** in steps 3 and 4.

Repetitive defect ruler

If defects repeat at regular intervals on the page, use this ruler to identify the cause of the defect. Place the top of the ruler at the first defect. The marking that is beside the next occurrence of the defect indicates which component needs to be replaced.



1	First occurrence of the defect (the distance from the top of the page to the defect) might vary.
2	Print cartridge 34.3 mm (1.35 inches)
3	Print cartridge or transfer roller (if the defect occurs in only one color, the defective part is the print cartridge; if the defect occurs in all colors, the defective part is the ETB) 37.7 mm (1.48 inches)
4	Print cartridge 42.7 mm (1.68 inches)
5	ETB 75 mm (2.95 inches)
6	Fuser 76.0 mm (2.99 inches)
7	Fuser 81.0 mm (3.19 inches)
8	Print cartridge 94.2 mm (3.71 inches)

To identify if the print cartridge is the problem, insert a print cartridge from another HP Color LaserJet 4730mfp series, if one is available, before ordering a new print cartridge.

If the defect repeats at 94.0 mm (3.75 inch) intervals, try replacing the print cartridge before replacing the fuser.

Solving e-mail problems

If you are unable to send e-mails by using the digital-send feature, you might need to reconfigure the SMTP gateway address or the LDAP gateway address. Print a configuration page to find the current SMTP and LDAP gateway addresses. See [Configuration page](#). Use the following procedures to check if the SMTP and LDAP gateway addresses are valid.

To validate the SMTP gateway address



NOTE This procedure is for Windows operating systems.

1. Open an MS-DOS command prompt: click **Start**, click **Run**, and then type `cmd`.
2. Type `telnet` followed by the SMTP gateway address and then the number `25`, which is the port over which the MFP is communicating. For example, type `telnet 123.123.123.123 25` where "123.123.123.123" represents the SMTP gateway address.
3. Press **Enter**. If the SMTP gateway address is *not* valid, the response contains the message `Could not open connection to the host on port 25: Connect Failed`.
4. If the SMTP gateway address is not valid, contact the network administrator.

To validate the LDAP gateway address



NOTE This procedure is for Windows operating systems.

1. Open Windows Explorer. In the address bar, type `LDAP://` immediately followed by the LDAP gateway address. For example, type `LDAP://12.12.12.12` where "12.12.12.12" represents the LDAP gateway address.
2. Press **Enter**. If the LDAP gateway address is valid, the **Find People** dialog box opens.
3. If the LDAP gateway address is not valid, contact the network administrator.

Solving network connectivity problems

If the MFP is having problems communicating with the network, use the information in this section to resolve the problem.

Troubleshooting network printing problems



NOTE HP recommends that you use the MFP CD-ROM to install and set up the MFP on a network.

- Make sure that the network cable is securely seated into the MFP's RJ45 connector.
- Make sure that the Link LED on the formatter is lit. See [Understanding lights on the formatter](#).
- Make sure that the I/O card is ready. Print a configuration page (see [Configuration page](#)). If an HP Jetdirect print server is installed, printing a configuration page also prints a second page that shows the network settings and status.



NOTE The HP Jetdirect print server supports various network protocols (TCP/IP, IPX/SPX, Novell Netware, AppleTalk, and DCL/LLC). Make sure that the correct protocols and network parameters are set correctly.

On the HP Jetdirect configuration page, verify the following items for your protocol:

- Under HP Jetdirect Configuration, the status is "I/O Card Ready".
 - Protocol status is "Ready".
 - An IP address is listed.
 - The configuration method (Config by:) is listed correctly. See the network administrator if you are not sure which method is correct.
- Try printing the job from another computer.
 - To verify that a MFP works with a computer, use a parallel cable to connect it directly to a computer. You will have to reinstall the printing software. Print a document from a program that has printed correctly in the past. If this works, a problem with the network might exist.
 - Contact your network administrator for assistance.

Verifying communication over the network

If the HP Jetdirect configuration page shows an IP address for the MFP, use this procedure to verify that the MFP is communicating with other devices on the network.

To verify communication over the network

1. **Windows:** Click **Start**, click **Run**, and then type `cmd`. An MS-DOS command prompt opens.

-or-

Mac: Click **Applications**, click **Utilities**, and then open the Terminal application. The terminal window opens.

2. Type `ping` followed by the IP address. For example, type `ping XXX.XXX.XXX.XXX` where "XXX.XXX.XXX.XXX" is the IP address that is shown on the HP Jetdirect configuration page. If the MFP is communicating over the network, the response is a list of replies from the MFP.
3. Verify that the IP address is not a duplicate address on the network by using the address resolution protocol (`arp -a`) command. At the prompt, type `arp -a`. Find the IP address in the list and compare its physical address to the hardware address that is listed on the HP Jetdirect configuration page in the section called HP Jetdirect Configuration. If the addresses match, all network communications are valid.
4. If you cannot verify that the MFP is communicating over the network, contact the network administrator.

Troubleshooting common Macintosh problems

This section lists problems that can occur when using Mac OS v9.x or Mac OS X.

Solving problems with Mac OS v9.x



NOTE Setup for USB and IP printing is performed through the Desktop Printer Utility. The printer will *not* appear in the Chooser.

Table 12-8 Problems with Mac OS v9.x

The printer name or IP address does not appear in the Desktop Printer Utility.

Cause	Solution
The printer might not be ready.	Make sure that the cables are connected correctly, the printer is on, and the Ready light is on. If you are connecting through a USB or Ethernet hub, try connecting directly to the computer or use a different port.
The wrong connection type might be selected.	Make sure that Printer (USB) or Printer (LPR) is selected in the Desktop Printer Utility, depending on the type of connection that exists between the printer and the computer.
The wrong printer name or IP address is being used.	In order to check the printer name or IP address, print a configuration page. Verify that the printer name or IP address on the configuration page matches the printer name or IP address in the Desktop Printer Utility.
The interface cable might be defective or of poor quality.	Replace the interface cable. Make sure to use a high-quality cable.

The PostScript Printer Description (PPD) file for the printer does not appear as a selection in the Desktop Printer Utility.

Cause	Solution
The printer software might not have been installed or was installed incorrectly.	Make sure that the LaserJet 4700 PPD is in the following hard-drive folder: <code>System Folder/Extensions/Printer Descriptions</code> . If necessary, reinstall the software. See the getting started guide for instructions.
The PostScript Printer Description (PPD) file is corrupt.	Delete the PPD file from the following hard drive folder: <code>System Folder/Extensions/Printer Descriptions</code> . Reinstall the software. See the getting started guide for instructions.

A print job was not sent to the printer that you wanted.

Cause	Solution
The print queue might be stopped.	Restart the print queue. Select the desktop printer icon, open the Printing menu in the top menu bar, and then click Start Print Queue .
The wrong printer name or IP address is being used. Another printer that has the same or a similar name or IP address might have received your print job.	Print a configuration page in order to check the printer name or IP address. Verify that the printer name or IP address on the configuration page matches the printer name or IP address in the Desktop Printer Utility.
The printer might not be ready.	Make sure that the cables are connected correctly, the printer is on, and the Ready light is on. If you are connecting through a USB or

Table 12-8 Problems with Mac OS v9.x (continued)

A print job was not sent to the printer that you wanted.

Cause	Solution
	Ethernet hub, try connecting directly to the computer or use a different port.
The interface cable might be defective or of poor quality.	Replace the interface cable. Make sure to use a high-quality cable.

You cannot use the computer while the printer is printing.

Cause	Solution
Background Printing has not been selected.	For LaserWriter 8.6 and later: Turn on background printing by selecting Print Desktop on the File menu and then clicking Background Printing in the pop-up menu.

An encapsulated PostScript (EPS) file does not print with the correct fonts.

Cause	Solution
This problem occurs with some programs.	<ul style="list-style-type: none">• Send the file in ASCII format instead of binary encoding.• Try downloading the fonts that are contained in the EPS file to the printer before printing.

Your document is not printing with New York, Geneva, or Monaco fonts.



Cause	Solution
The printer might be substituting fonts.	Click Options in the Page Setup dialog box to clear substituted fonts.

You are unable to print from a third-party USB card.

Cause	Solution
This error occurs when the software for USB printers is not installed.	When adding a third-party USB card, you might need the Apple USB Adapter Card Support software. The most current version of this software is available from the Apple Web site.

Table 12-8 Problems with Mac OS v9.x (continued)

When connected with a USB cable, the printer does not appear in the Desktop Printer Utility or the Apple System Profiler after the driver is selected.

Cause	Solution
This problem is caused by either a software or hardware component.	<p>Software troubleshooting</p> <ul style="list-style-type: none">• Check that your Macintosh supports USB.• Verify that your Macintosh operating system is Mac OS v9.1 or later.• Ensure that your Macintosh has the appropriate USB software from Apple. <p> NOTE The iMac and Blue G3 desktop Macintosh systems meet all of the requirements to connect to a USB device.</p> <p>Hardware troubleshooting</p> <ul style="list-style-type: none">• Check that the printer is turned on.• Verify that the USB cable is connected correctly.• Check that you are using the appropriate high-speed USB cable.• Ensure that you do not have too many USB devices drawing power from the chain. Disconnect all of the devices from the chain and connect the cable directly to the USB port on the host computer.• Check to see if more than two nonpowered USB hubs are connected in a row on the chain. Disconnect all of the devices from the chain and connect the cable directly to the USB port on the host computer. <p> NOTE The iMac keyboard is a nonpowered USB hub.</p>

Solving problems with Mac OS X

Table 12-9 Problems with Mac OS X

The printer driver is not listed in the Print Center or Printer Setup Utility.

Cause	Solution
The printer software might not have been installed or was installed incorrectly.	Make sure that the printer PPD is in the following hard-drive folder: <code>Library/Printers/PPDs/Contents/Resources/<lang>.lproj</code> , where <code><lang></code> is the two-letter language code for the language that you are using. If necessary, reinstall the software. See the getting started guide for instructions.
The Postscript Printer Description (PPD) file is corrupt.	Delete the PPD file from the following hard-drive folder: <code>Library/Printers/PPDs/Contents/Resources/<lang>.lproj</code> , where <code><lang></code> is the two-letter language code for the language that you are using. Reinstall the software. See the getting started guide for instructions.

Table 12-9 Problems with Mac OS X (continued)

The printer name, IP address, or Rendezvous host name does not appear in the printer list in the Print Center or Printer Setup Utility.

Cause	Solution
The printer might not be ready.	Make sure that the cables are connected correctly, the printer is on, and the ready light is on. If you are connecting through a USB or Ethernet hub, try connecting directly to the computer or use a different port.
The wrong connection type might be selected.	Make sure that USB, IP Printing, or Rendezvous is selected, depending on the type of connection that exists between the printer and the computer.
The wrong printer name, IP address, or Rendezvous host name is being used.	Print a configuration page in order to check the printer name, IP address, or Rendezvous host name. Verify that the name, IP address, or Rendezvous host name on the configuration page matches the printer name, IP address, or Rendezvous host name in the Print Center or Printer Setup Utility.
The interface cable might be defective or of poor quality.	Replace the interface cable. Make sure to use a high-quality cable.

The printer driver does not automatically set up your selected printer in the Print Center or Printer Setup Utility.

Cause	Solution
The printer might not be ready.	Make sure that the cables are connected correctly, the printer is on, and the ready light is on. If you are connecting through a USB or Ethernet hub, try connecting directly to the computer or use a different port.
The printer software might not have been installed or was installed incorrectly.	Make sure that the printer PPD is in the following hard-drive folder: <code>Library/Printers/PPDs/Contents/Resources/<lang>.lproj</code> , where <code><lang></code> is the two-letter language code for the language that you are using. If necessary, reinstall the software. See the getting started guide for instructions.
The Postscript Printer Description (PPD) file is corrupt.	Delete the PPD file from the following hard-drive folder: <code>Library/Printers/PPDs/Contents/Resources/<lang>.lproj</code> , where <code><lang></code> is the two-letter language code for the language that you are using. Reinstall the software. See the getting started guide for instructions.
The printer might not be ready.	Make sure that the cables are connected correctly, the printer is on, and the ready light is on. If you are connecting through a USB or Ethernet hub, try connecting directly to the computer or use a different port.
The interface cable might be defective or of poor quality.	Replace the interface cable. Make sure to use a high-quality cable.

A print job was not sent to the printer that you wanted.

Cause	Solution
The print queue might be stopped.	Restart the print queue. Open print monitor and select Start Jobs .
The wrong printer name or IP address is being used. Another printer with the same or similar name, IP address, or Rendezvous host name might have received your print job.	Print a configuration page in order to check the printer name, IP address, or Rendezvous host name. Verify that the name, IP address, or Rendezvous host name on the configuration page matches the

Table 12-9 Problems with Mac OS X (continued)

A print job was not sent to the printer that you wanted.

Cause	Solution
	printer name, IP address, or Rendezvous host name in the Print Center or Printer Setup Utility.

An encapsulated PostScript (EPS) file does not print with the correct fonts.

Cause	Solution
This problem occurs with some programs.	<ul style="list-style-type: none">Try downloading the fonts that are contained in the EPS file to the printer before printing.Send the file in ASCII format instead of binary encoding.

You are unable to print from a third-party USB card.

Cause	Solution
This error occurs when the software for USB printers is not installed.	When adding a third-party USB card, you might need the Apple USB Adapter Card Support software. The most current version of this software is available from the Apple Web site.

When connected with a USB cable, the printer does not appear in the Print Center or Printer Setup Utility after the driver is selected.

Cause	Solution
This problem is caused by either a software or a hardware component.	<p>Software troubleshooting</p> <ul style="list-style-type: none">Check that your Macintosh supports USB.Verify that your Macintosh operating system is Mac OS X v10.1 or later.Ensure that your Macintosh has the appropriate USB software from Apple. <p>Hardware troubleshooting</p> <ul style="list-style-type: none">Check that the printer is turned on.Verify that the USB cable is connected correctly.Check that you are using the appropriate high-speed USB cable.Ensure that you do not have too many USB devices drawing power from the chain. Disconnect all of the devices from the chain, and connect the cable directly to the USB port on the host computer.Check to see if more than two nonpowered USB hubs are connected in a row on the chain. Disconnect all of the devices from the chain and connect the cable directly to the USB port on the host computer.



NOTE The iMac keyboard is a nonpowered USB hub.

A Working with memory and print server cards

Printer memory and fonts

The MFP has two 200-pin DDR SDRAM slots. One slot is available for adding memory to the MFP. DDR SDRAM memory is available in 128 and 256 MB modules.



NOTE Memory specification: HP Color LaserJet 4730mfp series use 200-pin small outline dual inline memory modules (SODIMM) that support 128 or 256 MB of RAM.

The MFP also has three flash memory card slots for MFP firmware, fonts, and other solutions.

- The first flash memory card is reserved for MFP firmware.



NOTE Use the first flash memory card slot for firmware only. The slot is marked "Firmware Slot".

- The two additional flash memory card slots enable the user to add fonts and third-party solutions, such as signatures and personalities. The slots are marked "Slot 2" and "Slot 3."



NOTE Flash memory cards adhere to Compact Flash specifications and size.



CAUTION Do not insert a flash memory card that is designed for use with a digital camera into the MFP. The MFP does not support photo printing directly from a flash memory card. If you install a camera-type flash memory card, the control panel displays a message asking if you want to reformat the flash memory card. If you choose to reformat the card, all data on the card will be lost.

You might want to add more memory to the MFP if you often print complex graphics or PS documents, or use many downloaded fonts. Additional memory also allows the MFP to print multiple, collated copies at the maximum speed.



NOTE Single in-line memory modules (SIMMs) / dual in-line memory modules (DIMMs) used on previous HP LaserJet printers are not compatible with the MFP.

NOTE To order DDR SDRAM, see [Supplies and accessories](#).


Before ordering additional memory, see how much memory is currently installed by printing a configuration page.

Printing a configuration page

1. Press **Menu** to enter the **MENUS**.
2. Touch **INFORMATION**.
3. Touch **PRINT CONFIGURATION**.

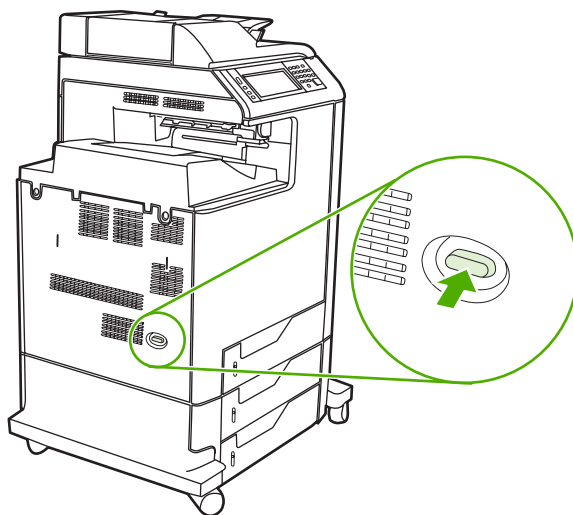
Installing memory and fonts

You can install more memory for the MFP, and you can also install a font card to allow the MFP to print characters for languages such as Chinese or the Cyrillic alphabet.

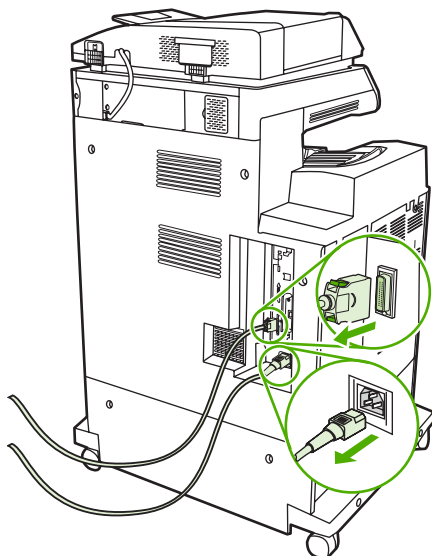
-  **CAUTION** Static electricity can damage DIMMs. When handling DIMMs, either wear an antistatic wrist strap, or frequently touch the surface of the DIMM antistatic package and then touch bare metal on the MFP.

To install DDR memory DIMMs

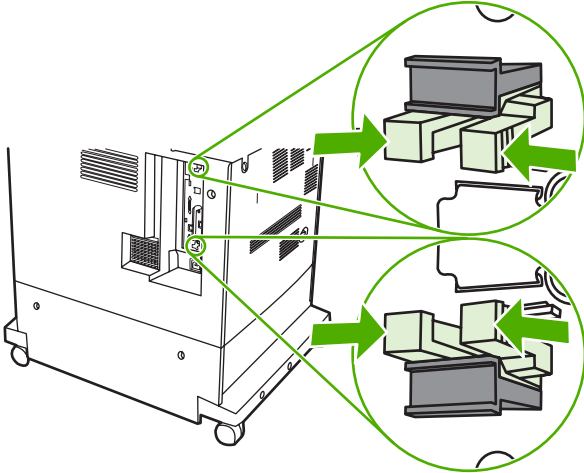
1. Turn the MFP off.



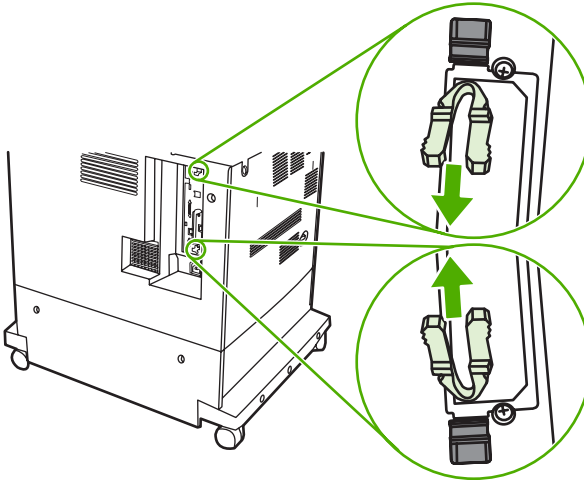
2. Disconnect all power and interface cables.



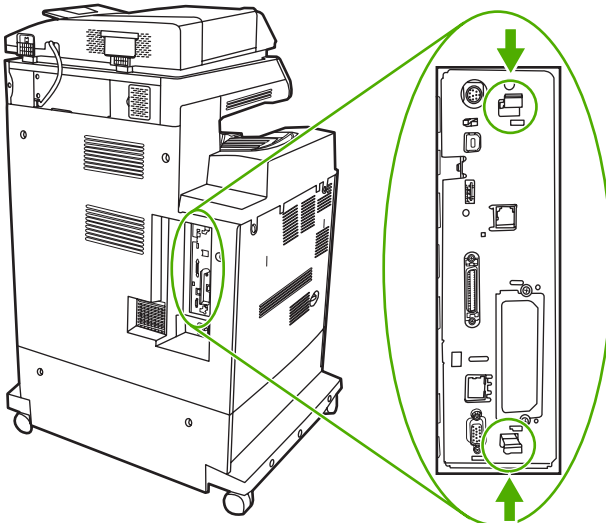
3. Locate the gray formatter pressure release tabs on the formatter board in the rear of the MFP.



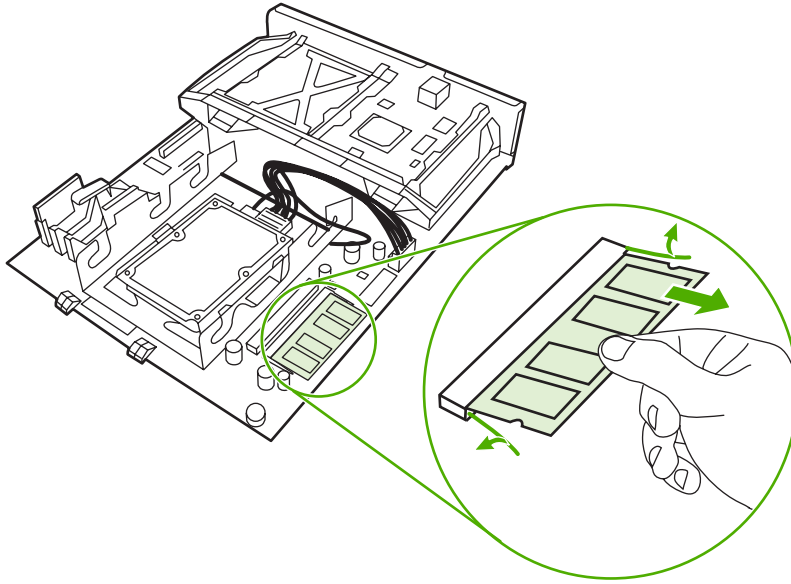
4. Gently squeeze the tabs and pull them out of the formatter.



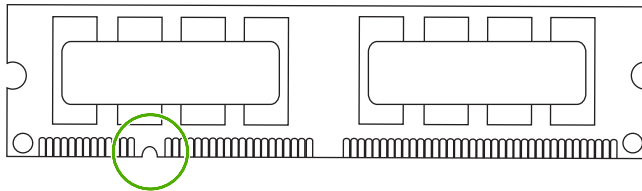
5. Gently pull on the black tabs to pull the formatter board from the MFP. Place the formatter board on a clean, flat, grounded surface.



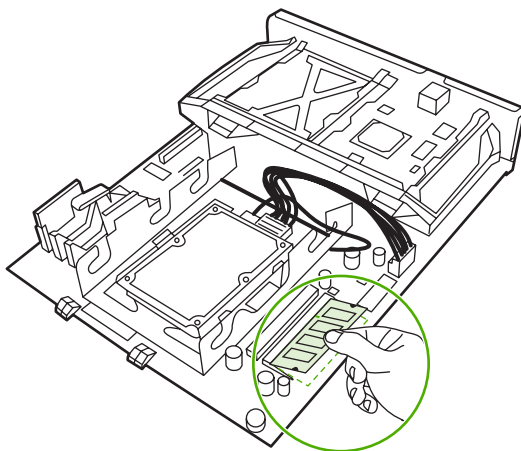
6. To replace a DDR DIMM that is currently installed, spread the latches on each side of the DIMM slot, lift the DDR DIMM up at an angle, and pull it out.



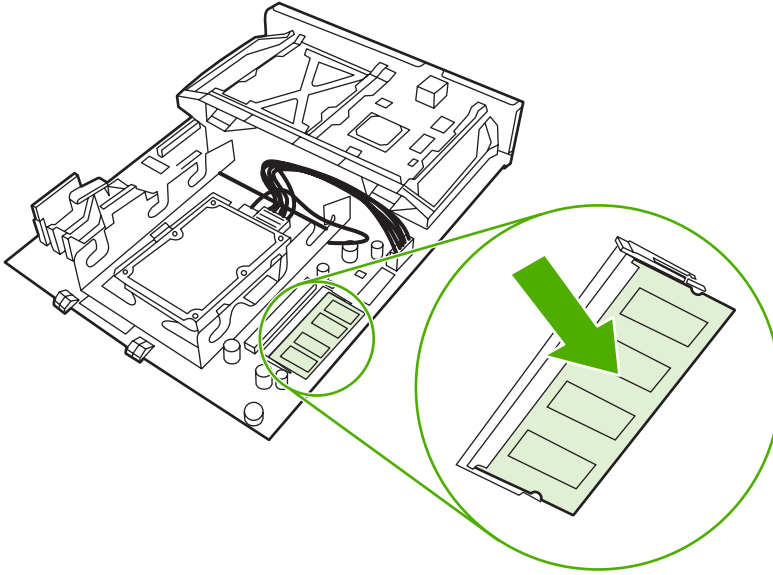
7. Remove the new DIMM from the antistatic package. Locate the alignment notch on the bottom edge of the DIMM.



8. Holding the DIMM by the edges, align the notch on the DIMM with the bar in the DIMM slot at an angle and firmly press the DIMM into the slot until it is fully seated. When installed correctly, the metal contacts are not visible.



9. Push down on the DIMM until both latches engage the DIMM.

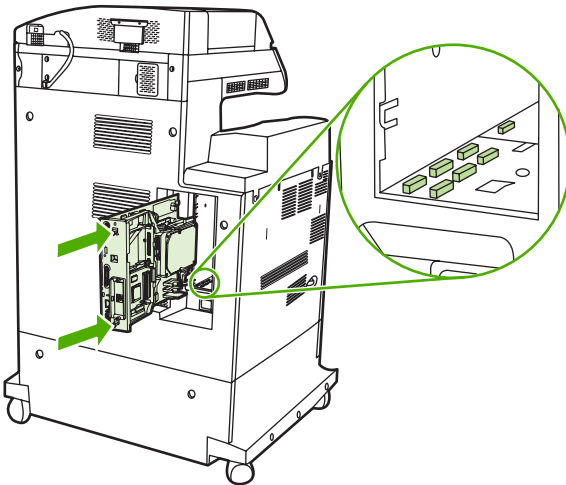


NOTE If you have difficulty inserting the DIMM, make sure the notch on the bottom of the DIMM is aligned with the bar in the slot. If the DIMM still does not go in, make sure you are using the correct type of DIMM.

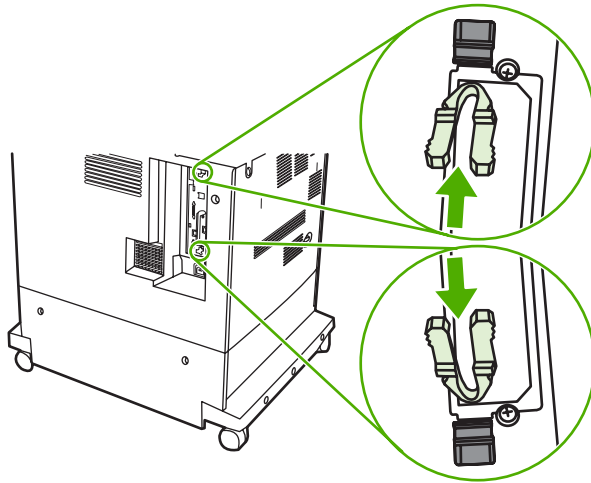
10. Align the formatter board in the tracks at the bottom of the slot, and then slide the board back into the MFP.



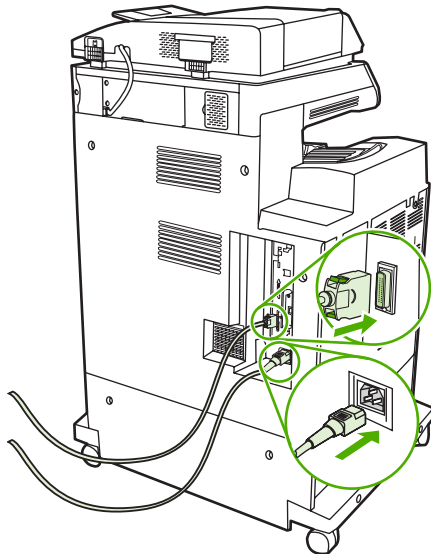
NOTE To prevent damage to the formatter board, ensure the formatter board is aligned in the tracks.



11. Reinsert the formatter pressure release tabs by squeezing them together and pushing them into place.



12. Reconnect the power cable and interface cables, and turn the MFP on.



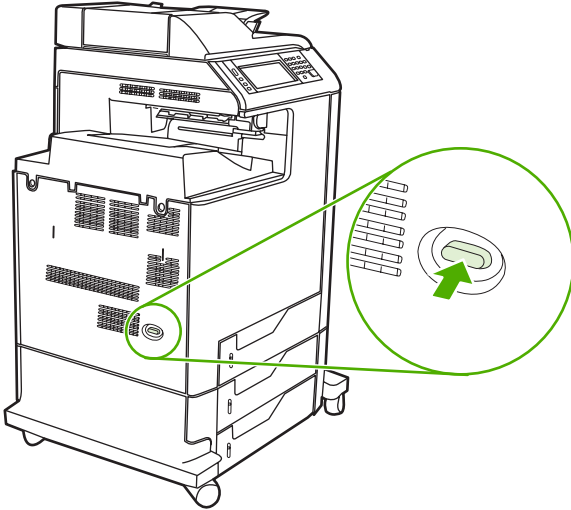
13. If you installed a memory DIMM, go to [Enabling memory](#).

To install a flash memory card

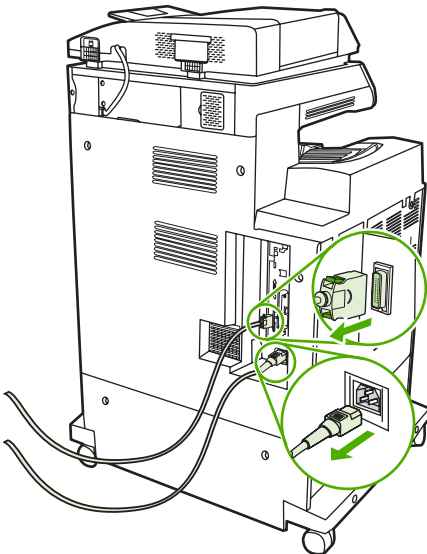


CAUTION Do not insert a flash memory card that is designed for use with a digital camera into the MFP. The MFP does not support photo printing directly from a flash memory card. If you install a camera-type flash memory card, the control panel displays a message asking if you want to reformat the flash memory card. If you choose to reformat the card, all data on the card will be lost.

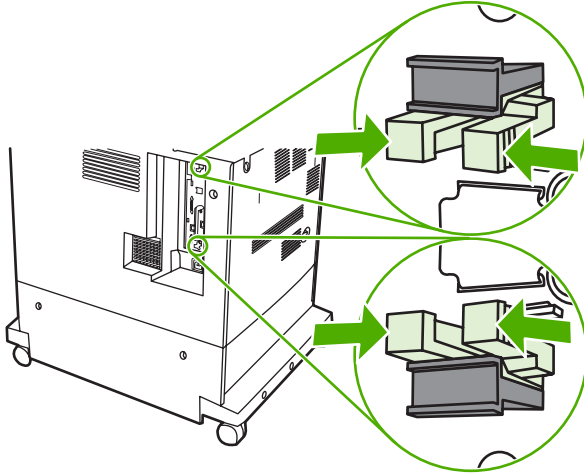
1. Turn the MFP off.



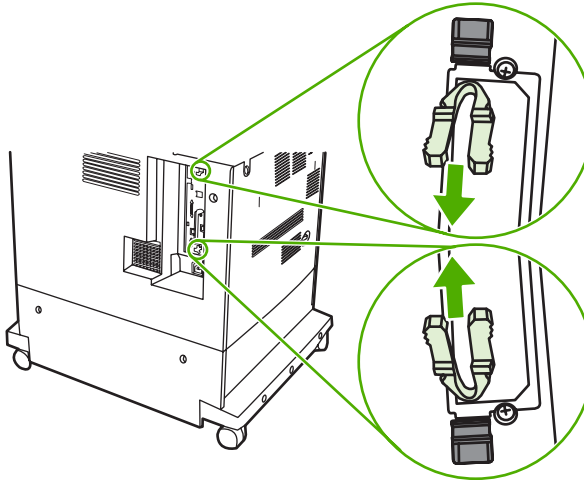
2. Disconnect all power and interface cables.



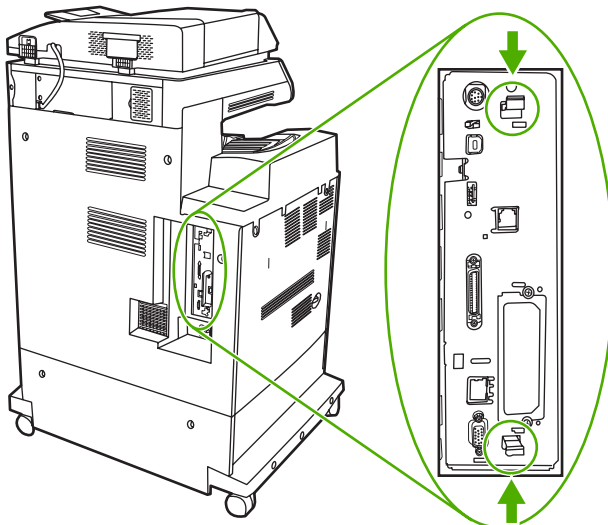
3. Locate the gray formatter pressure release tabs on the formatter board in the rear of the MFP.



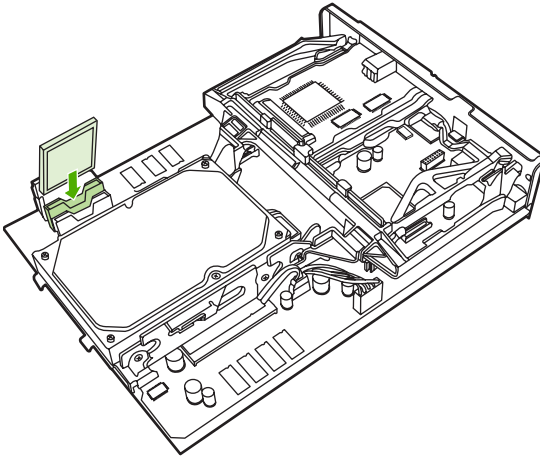
4. Gently squeeze the tabs and pull them out of the formatter.



5. Gently pull on the black tabs to pull the formatter board from the MFP. Place the formatter board on a clean, flat, grounded surface.



6. Align the groove on the side of the flash memory card with the notches in the connector and push it in the slot until it is fully seated.



CAUTION Do not insert the flash memory card at an angle.

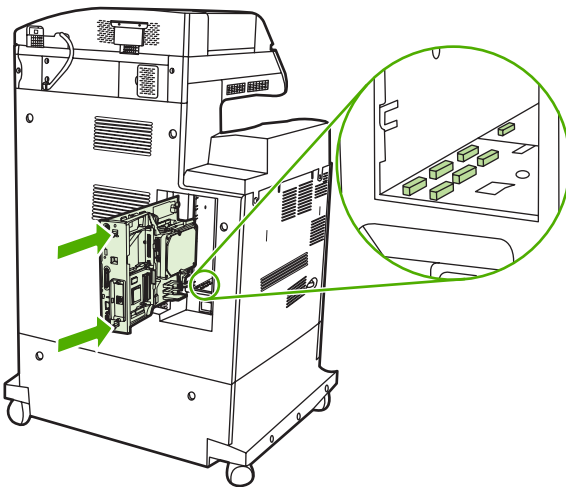


NOTE The first flash memory slot marked "Firmware Slot" is reserved for firmware only. Slots 2 and 3 should be used for all other solutions.

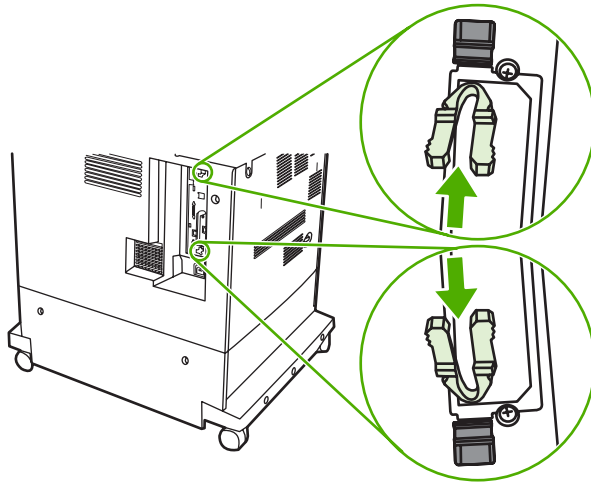
7. Align the formatter board in the tracks at the top and bottom of the slot, and then slide the board back into the MFP.



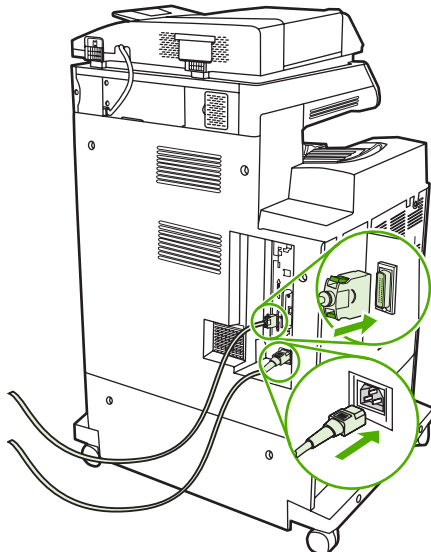
NOTE To prevent damage to the formatter board, ensure the formatter board is aligned in the tracks.



8. Reinsert the formatter pressure release tabs by squeezing them together and pushing them into place.



9. Reconnect the power cable and interface cables, and turn the MFP on.



Enabling memory

If you installed a memory DIMM, set the MFP driver to recognize the newly added memory.

To enable memory for Windows 98 and Me

1. On the **Start** menu, point to **Settings**, and click **Printers**.
2. Right-click the printer and select **Properties**.
3. On the **Configure** tab, click **More**.
4. In the **Total Memory** field, type or select the total amount of memory that is now installed.
5. Click **OK**.

To enable memory for Windows 2000 and XP

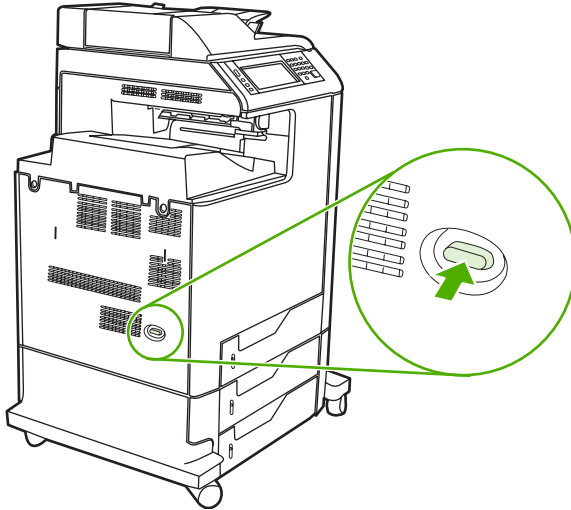
1. On the **Start** menu, point to **Settings**, and click **Printers** or **Printers and Faxes**.
2. Right-click the printer and select **Properties**.
3. On the **Device Settings** tab, click **Printer Memory** (in the **Installable Options** section).
4. Select the total amount of memory that is now installed.
5. Click **OK**.

Installing an HP Jetdirect print server card

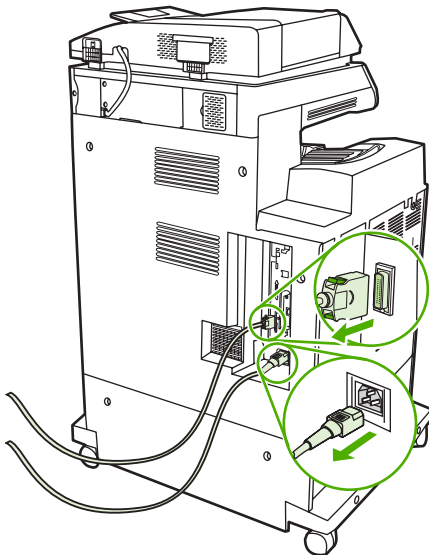
The HP Color LaserJet 4730mfp is equipped with an HP Jetdirect print server port. If desired, you can install an additional I/O card in the available EIO slot.

To install an HP Jetdirect print server card

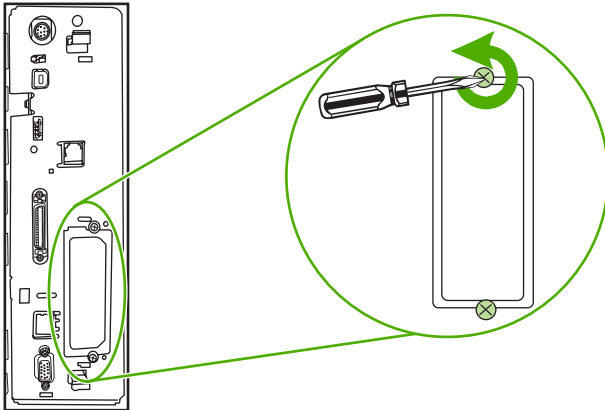
1. Turn the MFP off.



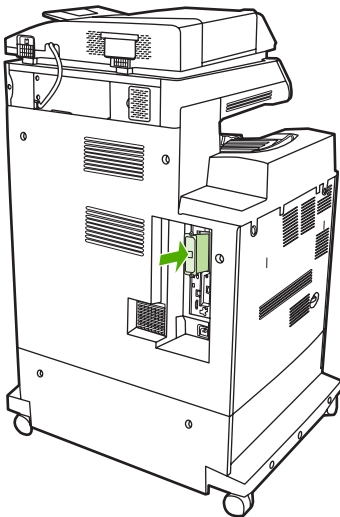
2. Disconnect all power and interface cables.



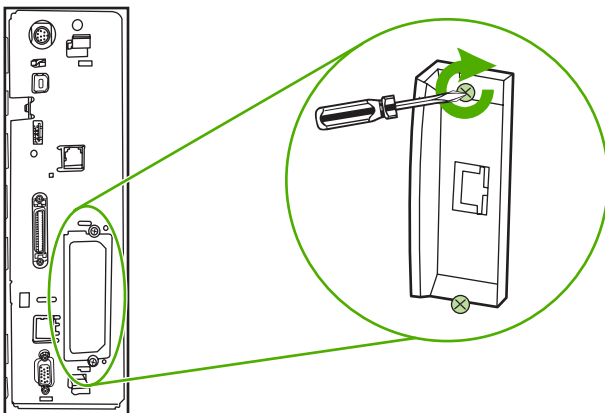
3. Locate an open EIO slot. Loosen and remove the two retaining screws holding the cover for the EIO slot, and then remove the cover. You will not need these screws and the cover again. They can be discarded.



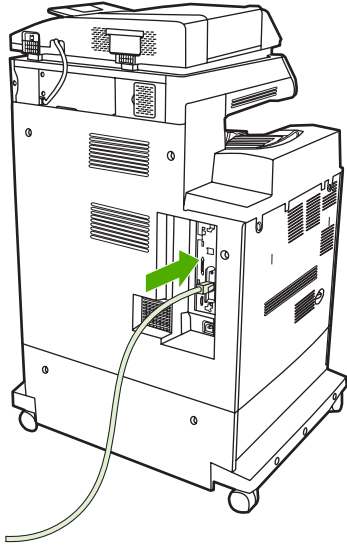
4. Firmly insert the HP Jetdirect print server card into the EIO slot.



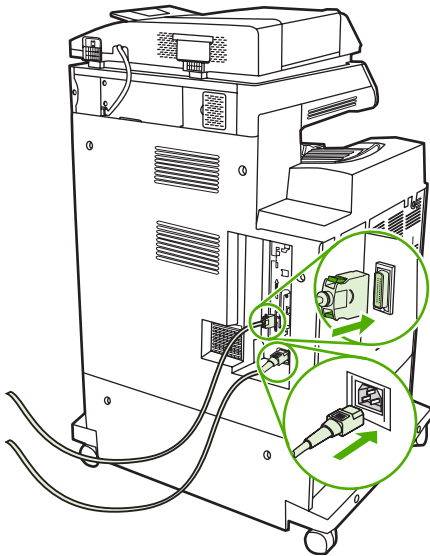
5. Insert and tighten the retaining screws that came with the print server card.



6. Connect the network cable.



7. Reconnect the power cable, and turn the MFP on.



8. Print a configuration page (see [Supplies and accessories](#)). In addition to an MFP configuration page and a Supplies Status page, an HP Jetdirect configuration page that contains network configuration and status information should also print.

If it does not print, uninstall and reinstall the print server card to ensure that it is completely seated in the slot.

9. Perform one of these steps:

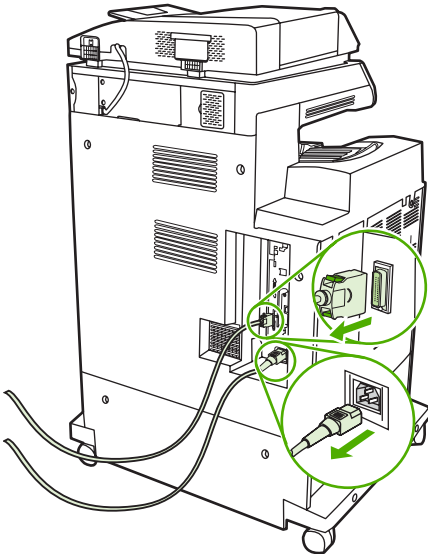
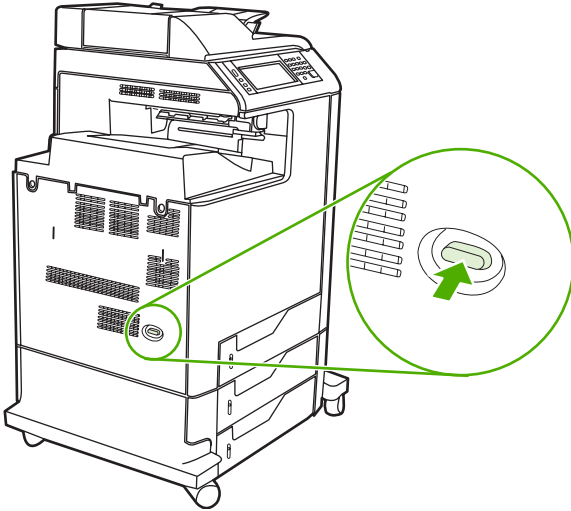
- Choose the correct port. See the computer or operating system documentation for instructions.
- Reinstall the software, choosing the network installation this time.

Installing EIO cards

Follow this procedure to install an EIO card.

To install EIO cards

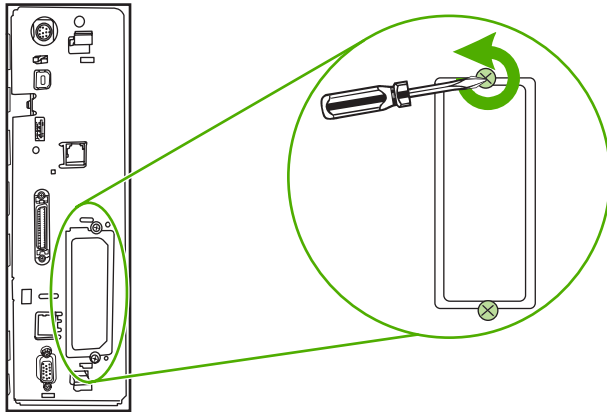
1. Turn off the MFP, and disconnect all of the cables.



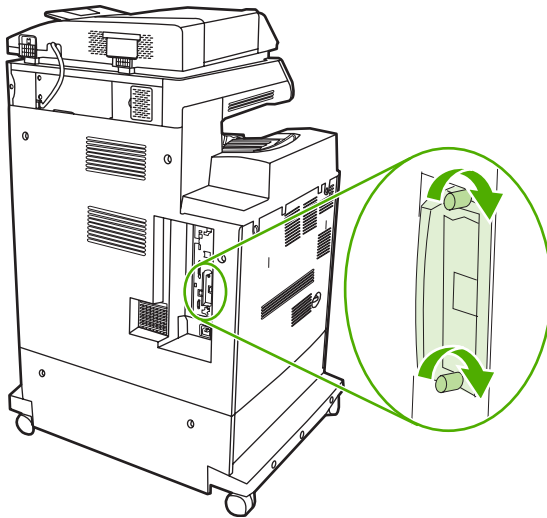
2. Remove the two screws and cover plate from the EIO slot on the left side of the MFP.



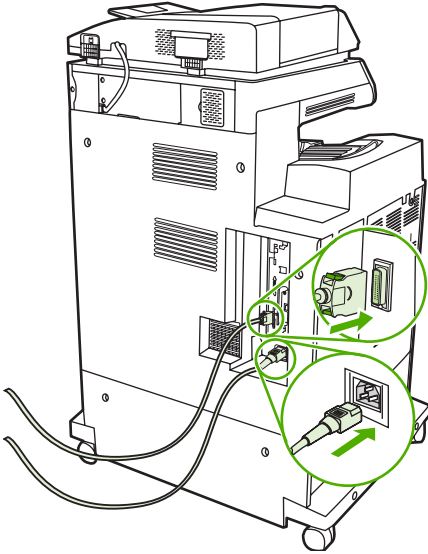
NOTE Do not discard the screws or the cover plate. Save them for future use if you remove the EIO card.



3. Install the EIO card in the EIO slot and tighten the screws.



4. Reconnect all the cables, and turn on the MFP.



5. Print a configuration page to verify that the EIO card was successfully installed. See [Configuration page](#).

B Supplies and accessories

This section provides information about ordering parts, supplies, and accessories. Use only parts and accessories that are specifically designed for this MFP.

- [Ordering parts, accessories, and supplies](#)
- [Part numbers](#)

Ordering parts, accessories, and supplies

Several methods are available for ordering parts, supplies, and accessories:

- [Ordering directly from HP](#)
- [Ordering through service or support providers](#)
- [Ordering directly through the embedded Web server \(for printers that are connected to a network\)](#)

Ordering directly from HP

You can obtain the following directly from HP:

- **Replacement parts.** To order replacement parts in the U.S. see <http://www.hp.com/buy/parts>. Outside the United States, order parts by contacting your local authorized HP service center.
- **Supplies and accessories.** To order supplies in the U.S., see <http://www.hp.com/go/ljsupplies>. To order supplies worldwide, see <http://www.hp.com/ghp/buyonline.html>. To order accessories, see <http://www.hp.com/support/clj4730mfp>.

Ordering through service or support providers

To order a part or accessory, contact an HP-authorized service or support provider. (See [HP customer care](#).)

Ordering directly through the embedded Web server (for printers that are connected to a network)

Use the following steps to order printing supplies directly through the embedded Web server. (See [Using the embedded Web server](#) for an explanation of this feature.)



To order directly through the embedded Web server

1. In the Web browser on the computer, type the IP address for the MFP. The MFP status window appears.
2. In the **Other links** area, double-click **Order Supplies**. This provides a URL from which to purchase consumables. Supplies information with part numbers and MFP information is provided.
3. Select the part numbers that you want to order and follow the instructions on the screen.

Part numbers

The following list of accessories was current at the time of printing. Ordering information and availability of the accessories might change during the life of the MFP.

Accessories

Item	Description	Part number
3-bin mailbox	Provides three output bins that hold a total of 700 sheets.  NOTE The 3-bin mailbox comes with an output accessory bridge.	Q7520A
500-sheet stapler/stacker	Allows for high-volume output with automatic job finishing. Staples up to 30 sheets of paper.  NOTE The stapler/stacker comes with an output accessory bridge.	Q7519A
5,000-staple cartridge	Provides one staple cartridge.	C8091A
HP LaserJet analog fax accessory 300	Provides fax capability for the MFP. This is included with the HP Color LaserJet 4730xmf, 4730xs mfp, and 4730xm mfp models.	Q3701A
3-bin mailbox and stapler/stacker		
Intermediate paper transfer unit		

Print cartridges

Item	Description	Part number
HP LaserJet black print cartridge	12,000-page black cartridge	Q6460A
HP LaserJet cyan print cartridge	2,000-page cyan cartridge	Q6461A
HP LaserJet yellow print cartridge	2,000-page yellow cartridge	Q6462A
HP LaserJet magenta print cartridge	2,000-page magenta cartridge	Q6463A

Maintenance kits

Item	Description	Part number
Image transfer (ETB) kit		Q7504A
Image fuser kit	110 volt	Q7502A
Image fuser kit	220 volt	Q7503A

Item	Description	Part number
ADF mylar preventive maintenance kit		Q4696–67901
ADF preventive maintenance kit		Q5997A

Customer replaceable units

Item	Description	Part number
Cassette pick-up roller replacement kit		Q7517–67905
Control panel replacement kit		Q7517–60601
Formatter replacement kit		Q7517–69001
MP pick-up roller kit		Q7517–67904
MP pick-up unit replacement kit		RM1–2199–000CN

Memory

Item	Description	Part number
100-pin DDR memory DIMM (dual inline memory module)	128 MB	Q7721AA
	256 MB	Q7722A
Boosts the ability of the MFP to handle large or complex print jobs.	512 MB	Q7723A

Cables and interfaces

Item	Description	Part number
Enhanced I/O (EIO) card	HP Jetdirect 625n Gigabit Ethernet (10/100/1000Base-T) print server	J7960A
Parallel cable	2 meter IEEE 1284-C cable	C2950A
	3 meter IEEE 1284-C cable	C2951A
USB cable		

Print media

For more information about media supplies, go to <http://www.hp.com/go/ljsupplies>.

Item	Description	Part number
HP LaserJet paper	Letter 216 x 279 mm (8.5 x 11 inches), 500 sheets/ream, 10-ream carton	HPJ1124/North America
For use with HP LaserJet printers. Good for letterhead, high-value memos, legal documents, direct mail, and correspondence.		

Item	Description	Part number
Specifications: 96 bright, 90 g/m ² (24 lb)	Legal 216 x 356 mm (8.5 x 14 inches), 500 sheets/ream, 10-ream carton	HPJ1424/North America
	A Letter (220 x 280 mm), 500 sheets/ream, 5-ream carton	Q2398A/Asia-Pacific countries/regions
	A4 (210 x 297 mm), 500 sheets/ream, 5-ream carton	Q2400A/Asia-Pacific countries/regions
	A4 (210 x 297 mm), 500 sheets/ream	CHP310/Europe
<p>HP Printing paper</p> <p>For use with HP LaserJet and inkjet printers. Created especially for small and home offices. Heavier and brighter than copier paper.</p> <p>Specifications: 92 bright, 22 lb.</p>	Letter 216 x 279 mm (8.5 x 11 inches), 500 sheets/ream, 10-ream carton	HPP1122/North America and Mexico
	Letter 216 x 279 mm (8.5 x 11 inches), 500 sheets/ream, 3-ream carton	HPP113R/North America
	A4 (210 x 297 mm), 500 sheets/ream, 5-ream carton	CHP210/Europe
	A4 (210 x 297 mm), 300 sheets/ream, 5-ream carton	CHP213/Europe
<p>HP Multipurpose paper</p> <p>For use with all office equipment-laser and inkjet printers, copiers, and fax machines. Created for businesses that want one paper for all their office needs. Brighter and smoother than other office papers.</p> <p>Specifications: 90 bright, 75 g/m² (20 lb)</p>	Letter 216 x 279 mm (8.5 x 11 inches), 500 sheets/ream, 10-ream carton	HPM1120/North America HPM115R/North America
	Letter 216 x 279 mm (8.5 x 11 inches), 500 sheets/ream, 5-ream carton	HP25011/North America HPM113H/North America
	Letter 216 x 279 mm (8.5 x 11 inches), 250 sheets/ream, 12-ream carton	HPM1420/North America
	Letter 216 x 279 mm (8.5 x 11 inches), 3-hole, 500 sheets/ream, 10-ream carton	
<p>HP Office paper</p> <p>For use with all office equipment-laser and inkjet printers, copiers, and fax machines. Good for high-volume printing.</p> <p>Specifications: 84 bright, 75 g/m² (20 lb)</p>	Letter 216 x 279 mm (8.5 x 11 inches), 500 sheets/ream, 10-ream carton	HPC8511/North America and Mexico
	Letter 216 x 279 mm (8.5 x 11 inches), 3-hole, 500 sheets/ream, 10-ream carton	HPC3HP/North America
	Legal 216 x 356 mm (8.5 x 14 inches), 500 sheets/ream, 10-ream carton	HPC8514/North America
	Letter 216 x 279 mm (8.5 x 11 inches), Quick Pack; 2,500-sheet carton	HP2500S/North America and Mexico
	Letter 216 x 279 mm (8.5 x 11 inches), Quick Pack 3-hole; 2,500-sheet carton	HP2500P/North America

Item	Description	Part number
	A Letter (220 x 280 mm), 500 sheets/ream, 5-ream carton	Q2408A/Asia-Pacific countries/regions
	A4 (210 x 297 mm), 500 sheets/ream, 5-ream carton	Q2407A/Asia-Pacific countries/regions
	A4 (210 x 297 mm), 500 sheets/ream, 5-ream carton	CHP110/Europe
	A4 (210 x 297 mm), Quick Pack; 2500 sheets/ream, 5-ream carton	CHP113/Europe
HP Office recycled paper	Letter 216 x 279 mm (8.5 x 11 inches), 500 sheets/ream, 10-ream carton	HPE1120/North America
For use with all office equipment-laser and inkjet printers, copiers, and fax machines. Good for high-volume printing.		
Satisfies U.S. Executive Order 13101 for environmentally preferable products.	Letter 216 x 279 mm (8.5 x 11 inches), 3-hole, 500 sheets/ream, 10-ream carton	HPE113H/North America
Specifications: 84 bright, 20 lb, 30% post-consumer content.	Legal 216 x 356 mm (8.5 x 14 inches), 500 sheets/ream, 10-ream carton	HPE1420/North America
HP LaserJet transparencies	Letter 216 x 279 mm (8.5 x 11 inches), 50 sheets to a carton	92296T/North America, Asia-Pacific countries/regions, and Europe
For use only with HP LaserJet monochrome printers. For crisp, sharp text and graphics, rely on the only transparencies specifically designed and tested to work with monochrome HP LaserJet printers.	A4 (210 x 297 mm), 50 sheets to a carton	922296U/Asia-Pacific countries/regions and Europe
Specifications: 4.3-mil thickness.		

C Service and support

Hewlett-Packard limited warranty statement

HP PRODUCT

HP LaserJet 4370mfp, HP LaserJet 4730x mfp, HP LaserJet 4730xs mfp, HP LaserJet 4730xm mfp

DURATION OF LIMITED WARRANTY

1 year, On-site

HP warrants HP hardware, accessories, and supplies against defects in materials and workmanship for the period specified above. If HP receives notice of such defects during the warranty period, HP will, at its option, either repair or replace products which prove to be defective. Replacement products may be either new or like-new.

HP warrants that HP software will not fail to execute its programming instructions, for the period specified above, due to defects in material and workmanship when properly installed and used. If HP receives notice of such defects during the warranty period, HP will replace software media which does not execute its programming instructions due to such defects.

HP does not warrant that the operation of HP products will be uninterrupted or error free. If HP is unable, within a reasonable time, to repair or replace any product to a condition as warranted, customer will be entitled to a refund of the purchase price upon prompt return of the product.

HP products may contain remanufactured parts equivalent to new in performance or may have been subject to incidental use.

Warranty does not apply to defects resulting from (a) improper or inadequate maintenance or calibration, (b) software, interfacing, parts or supplies not supplied by HP, (c) unauthorized modification or misuse, (d) operation outside of the published environmental specifications for the product, or (e) improper site preparation or maintenance.

TO THE EXTENT ALLOWED BY LOCAL LAW, THE ABOVE WARRANTIES ARE EXCLUSIVE AND NO OTHER WARRANTY, WHETHER WRITTEN OR ORAL, IS EXPRESSED OR IMPLIED AND HP SPECIFICALLY DISCLAIMS THE IMPLIED WARRANTIES OR CONDITIONS OF MERCHANTABILITY, SATISFACTORY QUALITY, AND FITNESS FOR A PARTICULAR PURPOSE. TO THE EXTENT ALLOWED BY LOCAL LAW, THE REMEDIES IN THIS WARRANTY STATEMENT ARE THE CUSTOMER'S SOLE AND EXCLUSIVE REMEDIES. EXCEPT AS INDICATED ABOVE, IN NO EVENT WILL HP OR ITS SUPPLIERS BE LIABLE FOR LOSS OF DATA OR FOR DIRECT, SPECIAL, INCIDENTAL, CONSEQUENTIAL (INCLUDING LOST PROFIT OR DATA), OR OTHER DAMAGE, WHETHER BASED IN CONTRACT, TORT, OR OTHERWISE.

FOR CONSUMER TRANSACTIONS IN AUSTRALIA AND NEW ZEALAND; THE WARRANTY TERMS CONTAINED IN THIS STATEMENT, EXCEPT TO THE EXTENT LAWFULLY PERMITTED, DO NOT EXCLUDE, RESTRICT OR MODIFY AND ARE IN ADDITION TO THE MANDATORY STATUTORY RIGHTS APPLICABLE TO THE SALE OF THIS PRODUCT TO YOU.

The warranty period begins on the date of the delivery or on the date of installation if installed by HP. If customer schedules or delays HP installation more than 30 days after delivery, warranty begins on the 31st day from delivery.

Print cartridge limited warranty statement

This HP Print Cartridge is warranted to be free from defects in materials and workmanship.

This warranty does not apply to print cartridges that (a) have been refilled, refurbished, remanufactured or tampered with in any way, (b) experience problems resulting from misuse, improper storage, or operation outside of the published environmental specifications for the printer product or (c) exhibit wear from ordinary use.

To obtain warranty service, please return the product to place of purchase (with a written description of the problem and print samples) or contact HP customer support. At HP's option, HP will either replace products that prove to be defective or refund your purchase price.

TO THE EXTENT ALLOWED BY LOCAL LAW, THE ABOVE WARRANTY IS EXCLUSIVE AND NO OTHER WARRANTY OR CONDITION, WHETHER WRITTEN OR ORAL, IS EXPRESSED OR IMPLIED AND HP SPECIFICALLY DISCLAIMS ANY IMPLIED WARRANTIES OR CONDITIONS OF MERCHANTABILITY, SATISFACTORY QUALITY, AND FITNESS FOR A PARTICULAR PURPOSE.

TO THE EXTENT ALLOWED BY LOCAL LAW, IN NO EVENT WILL HP OR ITS SUPPLIERS BE LIABLE FOR DIRECT, SPECIAL, INCIDENTAL, CONSEQUENTIAL (INCLUDING LOST PROFIT OR DATA), OR OTHER DAMAGE, WHETHER BASED IN CONTRACT, TORT, OR OTHERWISE.

THE WARRANTY TERMS CONTAINED IN THIS STATEMENT, EXCEPT TO THE EXTENT LAWFULLY PERMITTED, DO NOT EXCLUDE, RESTRICT OR MODIFY AND ARE IN ADDITION TO THE MANDATORY STATUTORY RIGHTS APPLICABLE TO THE SALE OF THIS PRODUCT TO YOU.

Fuser and transfer unit limited warranty statement

This HP product is warranted to be free from defects in materials and workmanship until the printer provides a low-life indicator on the control panel.

This warranty does not apply to products that (a) have been refurbished, remanufactured or tampered with in any way, (b) experience problems resulting from misuse, improper storage, or operation outside of the published environmental specifications for the printer product or (c) exhibit wear from ordinary use.

To obtain warranty service, please return the product to place of purchase (with a written description of the problem) or contact HP customer support. At HP's option, HP will either replace products that prove to be defective or refund your purchase price.

TO THE EXTENT ALLOWED BY LOCAL LAW, THE ABOVE WARRANTY IS EXCLUSIVE AND NO OTHER WARRANTY OR CONDITION, WHETHER WRITTEN OR ORAL, IS EXPRESSED OR IMPLIED AND HP SPECIFICALLY DISCLAIMS ANY IMPLIED WARRANTIES OR CONDITIONS OF MERCHANTABILITY, SATISFACTORY QUALITY, AND FITNESS FOR A PARTICULAR PURPOSE.

TO THE EXTENT ALLOWED BY LOCAL LAW, IN NO EVENT WILL HP OR ITS SUPPLIERS BE LIABLE FOR DIRECT, SPECIAL, INCIDENTAL, CONSEQUENTIAL (INCLUDING LOST PROFIT OR DATA), OR OTHER DAMAGE, WHETHER BASED IN CONTRACT, TORT, OR OTHERWISE.

THE WARRANTY TERMS CONTAINED IN THIS STATEMENT, EXCEPT TO THE EXTENT LAWFULLY PERMITTED, DO NOT EXCLUDE, RESTRICT OR MODIFY AND ARE IN ADDITION TO THE MANDATORY STATUTORY RIGHTS APPLICABLE TO THE SALE OF THIS PRODUCT TO YOU.

Availability of support and service

Around the world, HP provides a variety of service and support options for purchase. Availability of these programs will vary depending upon your location.

HP maintenance agreements

HP has several types of maintenance agreements that meet a wide range of support needs. Maintenance agreements are not part of the standard warranty. Support services may vary by area. Check with your local HP dealer to determine the services available to you.

On-site service agreements

To provide you with the level of support best suited to your needs, HP has on-site service agreements with three response times:

Priority onsite service

This agreement provides 4-hour service response to your site for calls made during normal HP business hours.

Next-day onsite service

This agreement provides support by the next working day following a service request. Extended coverage hours and extended travel beyond HP's designated service zones are available on most on-site agreements (for additional charges).

Weekly (volume) on-site service

This agreement provides scheduled weekly on-site visits for organizations with many HP products. This agreement is designated for sites using 25 or more workstation products, including printers, plotters, computers, and disk drives.

D MFP specifications

This section provides the following specifications:

- [Physical specifications](#)
- [Electrical specifications](#)
- [Acoustic specifications](#)
- [Environmental specifications](#)

Specifications for the Analog Fax Accessory are available see the *HP LaserJet Analog Fax Accessory 300 User Guide*. A printed copy of this guide is provided with the HP Color LaserJet 4730x mfp, HP Color LaserJet 4730xs mfp, and HP Color LaserJet 4730xm mfp.

Physical specifications

Table D-1 Product dimensions

Product	Height	Depth	Width	Weight ¹
HP Color LaserJet 4730mfp series	1153 mm (45.4 inches)	639 mm (25.2 inches)	788 mm (31 inches)	124 kg (273 lb)
HP Color LaserJet 4730x mfp	1153 mm (45.4 inches)	639 mm (25.2 inches)	788 mm (31 inches)	124 kg (298 lb)
HP Color LaserJet 4730xs mfp	1153 mm (45.4 inches)	639 mm (25.2 inches)	1106 mm (43.5 inches)	136 kg (298 lb)
HP Color LaserJet 4730xm mfp	1153 mm (45.4 inches)	639 mm (25.2 inches)	1106 mm (43.5 inches)	136 kg (298 lb)

¹ Without print cartridge

Table D-2 Product dimensions, with all doors and trays fully opened

Product	Height	Depth	Width
HP Color LaserJet 4730mfp series	1580 mm (62.2 inches)	980 mm (38.6 inches)	1160 mm (45.7 inches)
HP Color LaserJet 4730x mfp	1580 mm (62.2 inches)	980 mm (38.6 inches)	1160 mm (45.7 inches)
HP Color LaserJet 4730xs mfp	1580 mm (62.2 inches)	980 mm (38.6 inches)	1588 mm (62.5 inches)
HP Color LaserJet 4730xm mfp	1580 mm (62.2 inches)	980 mm (38.6 inches)	1588 mm (62.5 inches)

Electrical specifications



WARNING! Power requirements are based on the country/region where the MFP is sold. Do not convert operating voltages. This can damage the MFP and void the product warranty.

Table D-3 Power requirements (HP LaserJet 4370mfp series)

Specification	110-volt models	230-volt models
Power requirements	100 to 127 volts (± 10%)	220 to 240 volts (± 10%)
	50/60 Hz (± 2 Hz)	50/60 Hz (± 2 Hz)
Rated current	9.0 Amps	4.5 Amps

Table D-4 Power consumption HP LaserJet 4370mfp series (average, in watts)^{1, 2}

Product model	Copying ³	Printing ³	Ready ⁴	Sleep ^{5, 6}	Off
HP Color LaserJet 4730mfp series	615	604	83	24	0.5
HP Color LaserJet 4730x mfp	615	604	83	24	0.5
HP Color LaserJet 4730xs mfp	615	604	83	24	0.5
HP Color LaserJet 4730xm mfp	640	626	86	25	0.5

¹ Values subject to change. See <http://www.hp.com/support/clj4730mfp> for current information.

² Power numbers are the highest values measured using all standard voltages.

³ HP Color LaserJet 4730mfp series printing and copying speeds are 31 ppm Letter size and 30 ppm A4 size.

⁴ Heat dissipation in Ready mode = 288 BTU/hour.

⁵ Default time from Ready mode to Sleep mode = 45 minutes.

⁶ Recovery time from Sleep mode = less than 20 seconds

Acoustic specifications

Table D-5 Sound power and pressure level¹ (HP LaserJet 4370mfp series)

Sound power level	Declared per ISO 9296
Printing ²	$L_{wAd} = 6.7$ Bels (A) [67 dB(A)]
Copying ³	$L_{wAd} = 6.8$ Bels (A) [68 dB(A)]
Ready	$L_{wAd} = 5.8$ Bels (A) [58 dB(A)]
Sound pressure level	Declared per ISO 9296
Printing ²	$L_{pAm} = 50$ dB (A)
Copying ³	$L_{pAm} = 52$ dB (A)
Ready	$L_{pAm} = 37$ dB (A)

¹ Values subject to change. See <http://www.hp.com/support/clj4730mfp> for current information.

² HP Color LaserJet 4730mfp series speed is 30 ppm A4 size. Configuration tested (HP Color LaserJet 4730mfp): Base model, simplex printing with A4 paper size.

³ Configuration tested (HP Color LaserJet 4730mfp) Base model, simplex copying from ADF with A4 paper size.)

Environmental specifications

Environmental condition	Recommended	Allowed	Storage/standby
Temperature (MFP and print cartridge)	17° to 25°C (62.6° to 77°F)	15° to 30°C (50° to 86°F)	-20° to 40°C (-4° to 104°F)
Relative humidity	30% to 70% relative humidity (RH)	10% to 80% RH	10% to 90%
Altitude	N/A	0 meters (0 feet) to 2600 meters (8530 feet)	N/A

E Media specifications

Print media specifications

This section provides specifications for media that can be used in this MFP. For more information, see [Printing on special media](#).

Category	Specifications
Acid content	5.5 pH to 8.0 pH
Caliper	0.094 to 0.18 mm (3.0 to 7.0 mils)
Curl in ream	Flat within 5 mm (0.02 inch)
Cut edge conditions	Cut with sharp blades that create no visible fray.
Fusing compatibility	Must not scorch, melt, offset, or release hazardous emissions when heated to 200°C (392°F) for 0.1 second.
Grain	Long grain
Moisture content	3% to 9% by weight
Smoothness	100 to 250 Sheffield

Printing and paper storage environment

Ideally, the printing and paper storage environment should be at or near room temperature, and not too dry or too humid. Remember paper is hygroscopic; it absorbs and loses moisture rapidly.

Heat works with humidity to damage paper. Heat causes the moisture in paper to evaporate, while cold causes it to condense on the sheets. Heating systems and air conditioners remove most of the humidity from a room. As paper is opened and used, it loses moisture, causing streaks and smudging. Humid weather or water coolers can cause the humidity to increase in a room. As paper is opened and used it absorbs any excess moisture, causing light print and dropouts. Also, as paper loses and gains moisture it can distort. This can cause jams.

As a result, paper storage and handling are as important as the paper-making process itself. Paper storage environmental conditions directly affect the feed operation.

Care should be taken not to purchase more paper than can be easily used in a short time (about 3 months). Paper stored for long periods might experience heat and moisture extremes, which can cause damage. Planning is important to prevent damage to a large supply of paper.

Unopened paper in sealed reams can remain stable for several months before use. Opened packages of paper have more potential for environmental damage, especially if they are not wrapped with a moisture-proof barrier.

The paper storage environment should be properly maintained to ensure optimum MFP performance. The required condition is 20° to 24°C (68° to 75°F), with a relative humidity of 45% to 55%. The following guidelines should be helpful when evaluating the paper's storage environment:

- Paper should be stored at or near room temperature.
- The air should not be too dry or too humid (due to the hygroscopic properties of paper).
- The best way to store an opened ream of paper is to rewrap it tightly in its moisture-proof wrapping. If the MFP environment is subject to extremes, unwrap only the amount of paper to be used during the day's operation to prevent unwanted moisture changes.

Envelopes

Envelope construction is critical. Envelope fold lines can vary considerably, not only between manufacturers, but also within a box from the same manufacturer. Successful printing on envelopes depends upon the quality of the envelopes. When selecting envelopes, consider the following components:

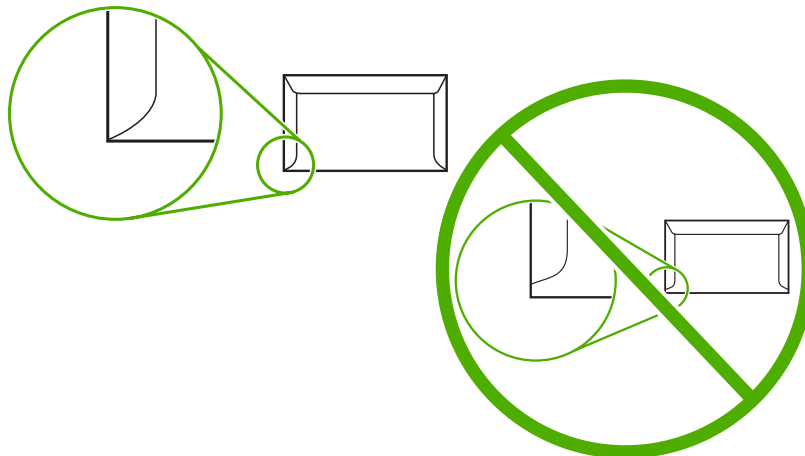
- **Weight:** The weight of the envelope paper should not exceed 105 g/m² (28 lb) or jamming might occur.
- **Construction:** Prior to printing, envelopes should lie flat with less than 6 mm (0.25 inch) curl, and should not contain air.
- **Condition:** Envelopes should not be wrinkled, nicked, or otherwise damaged.
- **Temperature:** You should use envelopes that are compatible with the heat and pressure of the MFP.
- **Size:** You should use only envelopes within the following size ranges.
 - **Minimum:** 76 x 127 mm (3 x 5 inches)
 - **Maximum:** 216 x 356 mm (8.5 x 14 inches)



NOTE Use only tray 1 to print envelopes. You might experience some jams when using any media with a length less than 178 mm (7 inches). This might be caused by paper that has been affected by environmental conditions. For optimum performance, make sure you are storing and handling the paper correctly (see [Printing and paper storage environment](#)). Choose envelopes in the printer driver.

Envelopes with double side seams

Double side-seam construction has vertical seams at both ends of the envelope rather than diagonal seams. This style might be more likely to wrinkle. Be sure the seam extends all the way to the corner of the envelope as illustrated below.



- 1 Acceptable envelope construction
- 2 Unacceptable envelope construction

Envelopes with adhesive strips or flaps

Envelopes with a peel-off adhesive strip or with more than one flap that folds over to seal must use adhesives compatible with the heat and pressure in the MFP. The extra flaps and strips might cause wrinkling, creasing, or even jams and might even damage the fuser.

Envelope margins

The following gives typical address margins for a commercial #10 or DL envelope.

Type of address	Top margin	Left margin
Return address	15 mm (0.6 inch)	15 mm (0.6 inch)
Delivery address	51 mm (2.0 inches)	89 mm (3.5 inches)



NOTE For the best print quality, position margins no closer than 15 mm (0.6 inch) from the edges of the envelope. Avoid printing over the area where the envelope's seams meet.

Envelope storage

Proper storage of envelopes helps contribute to print quality. Envelopes should be stored flat. If air is trapped in an envelope, creating an air bubble, then the envelope might wrinkle during printing.

For more information, see [Envelopes](#).

Labels



CAUTION To avoid damaging the MFP, use only labels recommended for laser printers. Never print on the same sheet of labels more than once or print on a partial sheet of labels.

Label construction

When selecting labels, consider the quality of each component:

- **Adhesives:** The adhesive material should be stable at 200°C (392°F), the MFP's fusing temperature.
- **Arrangement:** Only use labels with no exposed backing between them. Labels can peel off sheets with spaces between the labels, causing serious jams.
- **Curl:** Prior to printing, labels must lie flat with no more than 13 mm (0.5 inch) of curl in any direction.
- **Condition:** Do not use labels with wrinkles, bubbles, or other indications of separation.

For more information, see [Labels](#).



NOTE Choose labels in the printer driver.

Transparencies

Transparencies used in the MFP must be able to withstand 200°C (392°F), the MFP's fusing temperature.



CAUTION To avoid damaging the MFP, use only transparencies recommended for use in HP LaserJet printers, such as HP-brand transparencies. (For ordering information, see [Part numbers.](#))

For more information, see [Transparencies.](#)



NOTE Choose transparencies in the printer driver.

Print media weights and sizes

For optimum results, use conventional 75 g/m² (20 lb) photocopy paper. Verify that the paper is of good quality and is free of cuts, nicks, tears, spots, loose particles, dust, wrinkles, curls, or bent edges.

- To order supplies in the U.S., go to <http://www.hp.com/go/ljsupplies>.
- To order supplies worldwide, go to <http://www.hp.com/ghp/buyonline.html>.





NOTE Test any media, particularly custom media, before purchasing large quantities to ensure that it will perform satisfactorily.

Supported media weights and sizes

Table E-1 Tray 1 media sizes

Tray 1	Dimensions	Weight or thickness	Capacity
Paper and cardstock, standard sizes (letter/A4, legal, executive, JIS B5, A5); custom sizes	Range: 76 x 127 mm (3 x 5 inches) to 216 x 356 mm (8.5 x 14 inches)	Range: 60 g/m ² (16 lb) bond to 220 g/m ² (60 lb) bond	Maximum stack height: 10 mm (0.6 inch) Equivalent to 100 sheets of 75 g/m ² (20 lb) bond
Glossy paper (letter/A4, legal, executive, JIS B5, A5)	Range: 76 x 127 mm (3 x 5 inches) to 216 x 356 mm (8.5 x 14 inches)	Range: 75 g/m ² (20 lb) bond to 220 g/m ² (60 lb) bond	Maximum stack height: 10 mm (0.6 inch)
NOTE Do not use inkjet papers in this MFP.			
Transparencies (letter/A4), suitable for use in laser printers	Letter: 216 x 279 mm (8.5 x 11 inches) A4: 210 x 297 mm (8.27 x 11.7 inches)	Minimum 0.13 mm (0.005 inch) thick	Maximum stack height: 10 mm (0.6 inch)
HP Tough paper (letter/A4)	Letter: 216 x 279 mm (8.5 x 11 inches) A4: 210 x 297 mm (8.27 x 11.7 inches)	0.13 mm (0.005 inch) thick	Maximum stack height: 10 mm (0.6 inch)
NOTE HP Tough paper cannot be stapled.			
HP Color Laser Glossy Photo Paper (letter/A4)	Letter: 216 x 279 mm (8.5 x 11 inches) A4: 210 x 297 mm (8.27 x 11.7 inches)	220 g/m ² (60 lb) bond	Maximum stack height: 10 mm (0.6 inch)
NOTE Do not use inkjet papers in this MFP.			
Envelopes (Com 10, Monarch, C5, DL, B5)		Range: 60 g/m ² (16 lb) bond to 90 g/m ² (24 lb) bond	20 envelopes
Labels (letter/A4, legal, executive, JIS B5, A5), suitable for use in laser printers	Range: 76 x 127 mm (3 x 5 inches) to 216 x 356 mm (8.5 x 14 inches)	Maximum 0.23 mm (0.009 inch) thick	Maximum stack height: 10 mm (0.6 inch)

Table E-2 Tray 2, 3, and 4 media sizes¹

Trays 2, 3, and 4	Dimensions	Weight or thickness	Capacity
Paper, standard sizes (letter/A4, legal, executive, JIS B5, A5); custom sizes	Range: 148 x 210 mm (5.83 x 8.27 inches) to 216 x 356 mm (8.5 x 14 inches)	Range: 60 g/m ² (16 lb) bond to 120 g/ m ² (32 lb) bond	Maximum stack height: 56 mm (2.2 inches) Equivalent to 530 sheets of 75 g/m ² (20 lb) bond
Glossy paper (letter/A4, legal, executive, JIS B5, A5)	Range: 148 x 210 mm (5.83 x 8.27 inches) to 216 x 356 mm (8.5 x 14 inches)	Range: 75 g/m ² (20 lb) bond to 120 g/ m ² (32 lb) bond	Maximum stack height: 56 mm (2.2 inches)
 NOTE Do not use inkjet papers in this MFP.			
HP Color Laser Glossy Photo & Imaging Paper (letter/A4)	Letter: 216 x 279 mm (8.5 x 11 inches)	120 g/m ² (32 lb) bond	Maximum stack height: 56 mm (2.2 inches)
 NOTE Do not use inkjet papers in this MFP.	A4: 210 x 297 mm (8.27 x 11.7 inches)		
Transparencies (letter/A4), suitable for use in laser printers	Letter: 216 x 279 mm (8.5 x 11 inches) A4: 210 x 297 mm (8.27 x 11.7 inches)	Minimum: 0.13 mm (0.005 inches) thick	Maximum stack height: 56 mm (2.2 inches)
HP Tough Paper (letter/A4)	Letter: 216 x 279 mm (8.5 x 11 inches) A4: 210 x 297 mm (8.27 x 11.7 inches)	Maximum: 0.13 mm (0.005 inches) thick	Maximum stack height: 56 mm (2.2 inches)
Labels (letter/A4 and custom sizes), suitable for use in laser printers	Range: 148 x 210 mm (5.83 x 8.27 inches) to 216 x 356 mm (8.5 x 14 inches)	Maximum: 0.13 mm (0.005 inch) thick	Maximum stack height: 56 mm (2.2 inches)

¹ Trays 2, 3, and 4 use custom sizes specifically for B5 ISO. These trays do not support the range of custom sizes that can be used in Tray 1.

Table E-3 Automatic duplex printing (two-sided printing)

Automatic duplex printing	Dimensions	Weight or thickness
Paper	Standard sizes: Letter: 216 x 279 mm (8.5 x 11 inches) A4: 210 x 297 mm (8.27 x 11.7 in) 8.5 x 13: 216 x 330.2 mm (8.5 x 13 in)	Range: 60 g/m ² (16 lb) bond to 120 g/ m ² (32 lb) bond

Table E-3 Automatic duplex printing (two-sided printing) (continued)



Automatic duplex printing	Dimensions	Weight or thickness
	Legal: 216 x 356 mm (8.5 x 14 inches)	
	Executive: 184.2 x 266.7 mm (7.25 x 10.5 in)	
	JIS B5: 182 x 257 mm (7.17 x 10.12 in)	
Glossy paper (A4/letter, 13 x 8.5 in, legal, executive, JIS B5)	See above for standard sizes supported	Range: 75 g/m ² (20 lb) bond to 120 g/m ² (32 lb) bond
 NOTE Do not use inkjet papers in this MFP.		
HP Color Laser Glossy Photo & Imaging Paper (A4/letter)	Standard sizes: Letter: 216 x 279 mm (8.5 x 11 inches) A4: 210 x 297 mm (8.27 x 11.7 in)	120 g/m ² (32 lb) bond
 NOTE Do not use inkjet papers in this MFP.		

Table E-4 Optional 3-bin mailbox or stacker part of the stapler/stacker supported sizes

Size	Dimensions ¹	Weight	Capacity ²
Letter	216 x 279 mm (8.5 x 11 inches)	For plain media: 60 g/m ² (16 lb) to 120 g/m ² (32 lb) For thick media: 128 g/m ² (34 lb) to 199 g/m ² (53 lb)	For the stacker on the stapler/stacker or the lower bin on the 3-bin mailbox: 500 sheets of 75 g/m ² (20 lb) paper. For the top two bins on the 3-bin mailbox: each can hold 100 sheets of 75 g/m ² (20 lb) paper.
A4	210 x 297 mm (8.27 x 11.7 in)		
Executive	184.2 x 266.7 mm (7.25 x 10.5 in)		
Legal	216 x 356 mm (8.5 x 14 inches)		
B5 (JIS)	182 x 257 mm (7.17 x 10.12 in)		
A5	148 x 210 mm (5.8 x 8.3 in)		
Statement	140 x 216 mm (5.5 x 8.5 in)		
8.5x13	216 x 330 mm (8.5 x 13 in)		
Executive(JIS)	216 x 330 mm (8.5 x 13 in)		
DPostcard(JIS)	148 x 200 mm (5.8 x 7.9 in)		

Table E-4 Optional 3-bin mailbox or stacker part of the stapler/stacker supported sizes (continued)

Size	Dimensions ¹	Weight	Capacity ²
16K	197 x 273 mm (7.75 x 10.75 in)		
Envelope #10 ³	105 x 241 mm (4.1 x 9.5 in)		
Envelope Monarch #7-3/4 ³	98 x 191 mm (3.9 x 7.5 in)		
Envelope C5 ISO ³	162 x 229 mm (6.4 x 9.0 in)		
Envelope DL ISO ³	110 x 220 mm (4.3 x 8.7 in)		
Envelope B5 ISO ³	176 x 250 mm (6.7 x 9.8 in)		
Custom	Minimum: 76 x 127 mm (3 x 5 in) Maximum: 216 x 356 mm (8.5 x 14 in)		

Cardstock, transparencies,
and labels are supported only
in the third bin of the 3-bin
mailbox.

¹ The MFP supports a wide range of sizes. Check the MFP software for supported sizes.

² Capacity can vary depending on paper weight and thickness, as well as environmental conditions.

³ Face-up delivery only.

Table E-5 Stapler part of the optional stapler/stacker supported sizes

Size	Dimensions	Weight	Capacity
Letter	216 x 279 mm (8.5 x 11 inches)	For plain media: 60 g/m ² (16 lb) to 120 g/m ² (32 lb) For thick media: 128 g/m ² (34 lb) to 199 g/m ² (53 lb)	For plain media: 30 sheets of 75 g/m ² (20 lb) paper. For glossy media: 20 sheets For thick media: the stack height must not exceed 7 mm (0.27 inches)
A4	210 x 297 mm (8.27 x 11.7 in)		
Legal	216 x 356 mm (8.5 x 14 inches)		
8.5x13	216 x 330 mm (8.5 x 13 in)		
Executive(JIS)	216 x 330 mm (8.5 x 13 in)		

F Regulatory information

Introduction

This section contains the following regulatory information:

- [FCC regulations](#)
- [Environmental Product Stewardship program](#)
- [Declaration of conformity \(HP Color LaserJet 4730mfp\)](#)
- [Laser safety statement](#)
- [Canadian DOC statement](#)
- [Korean EMI statement](#)
- [Finnish laser statement](#)

FCC regulations

Compliance with FCC regulations

This equipment has been tested and found to comply with the limits for a Class A digital device, pursuant to Part 15 of the FCC Rules. These limits are designed to provide reasonable protection against harmful interference when the equipment is operated in a commercial environment. This equipment generates, uses and can radiate radio frequency energy and, if not installed and used in accordance with the instruction manual, may cause harmful interference to radio communications. Operation of this equipment in a residential area is likely to cause harmful interference, in which case the user will be required to correct the interference at his own expense. The end user of this product should be aware that any changes or modifications made to this equipment without the approval of Hewlett-Packard could result in the product not meeting the Class A limits, in which case the FCC could void the user's authority to operate the equipment.



NOTE Any changes or modifications to the printer that are not expressly approved by HP could void the user's authority to operate this equipment.

Telecom

Fax communications

This product is intended to be connected to the analog Public Switched Telecommunication Networks (PSTN) of European Economic Area (EEA) countries/regions. It meets requirements of EU R Directive 1999/5/EC (Annex II) and carries appropriate CE conformity marking. For more details see the [Declaration of conformity \(HP Color LaserJet 4730mfp\)](#) issued by the manufacturer.

However due to differences between individual national PSTNs the product may not guarantee unconditional assurance of successful operation on every PSTN termination point. Network compatibility depends on the correct setting being selected by the customer in preparation of its connection to the PSTN. Please follow the instructions provided in the user manual. If you experience network compatibility issues, please contact your equipment supplier or Hewlett-Packard help desk in the country/region of operation.

Connecting to a PSTN termination point may be the subject of additional requirements set out by the local PSTN operator.

Environmental Product Stewardship program

Protecting the environment

Hewlett-Packard Company is committed to providing quality products in an environmentally sound manner. This product has been designed with several attributes to minimize impacts on our environment.

Ozone production

This product generates no appreciable ozone gas (O₃).

Power consumption

Power usage drops significantly while in Sleep mode, which saves natural resources and saves money without affecting the high performance of this printer. This product qualifies for ENERGY STAR® (Version 3.0), which is a voluntary program to encourage the development of energy-efficient office products.



ENERGY STAR® and the ENERGY STAR mark are U.S. registered service marks. As an ENERGY STAR partner, Hewlett-Packard Company has determined that this product meets ENERGY STAR Guidelines for energy efficiency. For more information, see <http://www.energystar.gov>.

Paper use

This product's automatic duplex feature (two-sided printing) and n-up printing (multiple pages printed on one page) capabilities can reduce media usage and the resulting demands on natural resources.

Plastics

Plastic parts over 25 grams are marked according to international standards that enhance the ability to identify plastics for recycling purposes at the end of the product's life.

HP LaserJet printing supplies

It's easy to return and recycle your empty HP LaserJet print cartridges—free of charge—with HP Planet Partners. HP is committed to providing inventive, high-quality products and services that are environmentally sound, from product design and manufacturing to distribution, operation and recycling processes. We ensure your returned HP LaserJet print cartridges are recycled properly, processing them to recover valuable plastics and metals for new products and diverting millions of tons of waste from landfills. Since this cartridge is being recycled and used in new materials, it will not be returned to you. Your empty HP LaserJet print cartridges are recycled responsibly when you participate in the HP Planet Partners program. Thank you for being environmentally responsible!

In many countries/regions, this product's printing supplies (print cartridges, fuser, and transfer unit) can be returned to HP through the HP Printing Supplies Returns and Recycling Program. An easy-to-use and free takeback program is available in over 35 countries/regions. Multilingual program information and instructions are included in every new HP LaserJet print cartridge and supplies package.

HP Printing Supplies Returns and Recycling Program Information

Since 1992, HP has offered HP LaserJet supplies return and recycling free of charge. In 2004, HP Planet Partners for LaserJet Supplies was available in 85% of the world market where HP LaserJet supplies are sold. Postage-paid and pre-addressed labels are included within the instruction guide in most HP LaserJet print cartridge boxes. Labels and bulk boxes are also available through the Web site <http://www.hp.com/recycle>.

Use the label to return empty, original HP LaserJet print cartridges only. Please do not use this label for, non-HP cartridges, refilled or remanufactured cartridges or warranty returns. Printing supplies or other objects inadvertently sent to the HP Planet Partners program cannot be returned.

More than 10 million HP LaserJet print cartridges were recycled globally in 2004 through the HP Planet Partners supplies recycling program. This record number represents 26 million pounds of print cartridge materials diverted from landfills. Worldwide, in 2004, HP recycled an average of 59% of the print cartridge by weight consisting primarily of plastic and metals. Plastics and metals are used to make new products such as HP products, plastic trays and spools. The remaining materials are disposed of in an environmentally responsible manner.

- **U.S. returns.** For a more environmentally responsible return of used cartridges and supplies, HP encourages the use of bulk returns. Simply bundle two or more cartridges together and use the single, pre-paid, and pre-addressed UPS label that is supplied in the package. For more information in the U.S., call 1-800-340-2445 or visit the HP Web site at <http://www.hp.com/recycle>.
- **Non-U.S. returns.** Non-U.S. customers should visit the <http://www.hp.com/recycle> Web site for further information regarding availability of the HP Supplies Returns and Recycling Program.

Recycled paper

This product is capable of using recycled papers according to EN 12281:2002. HP recommends the use of recycled papers that contain not more than 5% ground wood, such as HP Office Recycled paper.

Material restrictions

This HP product contains a battery that may require special handling at end-of-life.

The battery contained in this product includes:

Type	Carbon monofluoride lithium battery
Weight	0.8 grams
Location	Formatter board
User removable	No





廢電池請回收

This HP product contains mercury in the fluorescent lamp of the control panel liquid crystal display that might require special handling at end-of-life.

For recycling information, you can contact <http://www.hp.com/go/recycle> or contact your local authorities or the Electronics Industry Alliance: <http://www.eiae.org>.

Disposal of waste equipment by users in private households in the European Union

This symbol on the product or on its packaging indicates that this product must not be disposed of with your other household waste. Instead, it is your responsibility to dispose of your waste equipment by handing it over to a designated collection point for the recycling of waste electrical and electronic equipment. The separate collection and recycling of your waste equipment at the time of disposal will help to conserve natural resources and ensure that it is recycled in a manner that protects human health and the environment. For more information about where you can drop off your waste equipment for recycling, please contact your local city office, your household waste disposal service or the shop where you purchased the product.



Material safety data sheet

Material Safety Data Sheets (MSDS) can be obtained by contacting the HP LaserJet Supplies Web site at <http://www.hp.com/hpinfo/community/environment/productinfo/safety.htm>.

For more information

To obtain information about the following environmental topics, visit <http://www.hp.com/go/environment> or <http://www.hp.com/hpinfo/community/environment/productinfo/safety>.

- Product environmental profile sheet for this and many related HP products.
- HP's commitment to the environment
- HP's environmental management system
- HP's end-of-life product return and recycling program
- Material Safety Data Sheets (MSDS)

Declaration of conformity (HP Color LaserJet 4730mfp)

Declaration of Conformity

according to ISO/IEC Guide 22 and EN 45014

Manufacturer's Name: Hewlett-Packard Company
Manufacturer's Address: 11311 Chinden Boulevard,
Boise, Idaho 83714-1021, USA

declares that the product

Product Name: HP Color LaserJet 4730 MFP, 4730x MFP, 4730xs MFP, 4730xm MFP
Product Numbers: Q7517A, Q7518A, Q7519A, Q7520A

Regulatory Model Number: Including accessories: Q7521A, Q7522A, Q7523A, BOISB-0308-00
Product Options: BOISB-0503-00⁴⁾
ALL

Toner Cartridge: Q6460A, Q6461A, Q6462A, Q6463A

conforms to the following Product Specifications:

Safety: IEC 60950-1:2001 / EN60950-1: 2001
IEC 60825-1:1993 +A1 +A2 / EN 60825-1:1994 +A11 +A2 (Class 1 Laser/LED Product)
GB4943-2001

EMC: CISPR 22:1997 / EN 55022:1998 - Class A¹⁾
EN 61000-3-2:2000
EN 61000-3-3:1995 + A1:2001
EN 55024:1998+A1:2001
FCC Title 47 CFR, Part 15 Class A / ICES-003, Issue 4²⁾
GB9254-1998

TELECOM: TBR-21:1998; EG 201 121:1998

Supplementary Information:

The product herewith complies with the requirements of the EMC Directive 89/336/EEC and the Low Voltage Directive 73/23/EEC, the R&TTE Directive 1999/5/EC (Annex II) and carries the CE-Marking accordingly.

1) The product was tested in a typical configuration with Hewlett-Packard Personal Computer Systems. Compliance testing of product to standard with exception of Clause 9.5, which is not yet in effect.

2) This Device complies with Part 15 of the FCC Rules. Operation is subject to the following two conditions: (1) this device may not cause harmful interference, and (2) this device must accept any interference received, including interference that may cause undesired operation.

3) For regulatory purposes, this product is assigned a Regulatory model number (BOISB-0503-00). This number should not be confused with the product name or the product number(s).

4) All worldwide modular approvals for analog fax accessory obtained by Hewlett-Packard under the regulatory model number BOISB-0308-00 incorporate the Multi-Tech Systems MT5634SMI Socket Modem Module.

Boise, Idaho , USA

21 December, 2004

For regulatory topics only:

Australia Contact: Product Regulations Manager, Hewlett-Packard Australia Ltd., 31-41 Joseph Street, Blackburn, Victoria 3130, Australia

European Contact: Your Local Hewlett-Packard Sales and Service Office or Hewlett-Packard GmbH, Department HQ-TRE / Standards Europe, Herrenberger Straße 140, D-71034 Böblingen, Germany, (FAX: +49-7031-14-3143)

USA Contact: Product Regulations Manager, Hewlett-Packard Company, PO Box 15, Mail Stop 160, Boise, Idaho 83707-0015, USA, (Phone: 208-396-6000)

Country-/region-specific safety statements

Laser safety statement

The Center for Devices and Radiological Health (CDRH) of the U.S. Food and Drug Administration has implemented regulations for laser products manufactured since August 1, 1976. Compliance is mandatory for products marketed in the United States. The printer is certified as a "Class 1" laser product under the U.S. Department of Health and Human Services (DHHS) Radiation Performance Standard according to the Radiation Control for Health and Safety Act of 1968.

Since radiation emitted inside the printer is completely confined within protective housings and external covers, the laser beam cannot escape during any phase of normal user operation.



WARNING! Using controls, making adjustments, or performing procedures other than those specified in this user guide may result in exposure to hazardous radiation.

Canadian DOC statement

Complies with Canadian EMC Class A requirements.

« Conforme à la classe A des normes canadiennes de compatibilité électromagnétiques (CEM). »

Japanese VCCI statement

この装置は、情報処理装置等電波障害自主規制協議会（VCCI）の基準に基づきクラスA情報技術装置です。この装置を家庭環境で使用すると電波妨害を引き起こすことがあります。この場合には使用者が適切な対策を講ずるよう要求されることがあります。

Japanese cordset statement

製品には、同梱された電源コードをお使い下さい。
同梱された電源コードは、他の製品では使用出来ません。

Korean EMI statement

사용시 안내문 (A급 기기)

이 기기는 업무용으로 전자파장애감정을 받은 기기이오니, 만약 잘못된 구입하셨을 때에는 구입한 곳에서 비입무용으로 교환하시기 바랍니다.

Taiwan safety statement

警告使用者：

這是甲類的資訊產品，在居住的環境中使用時，可能會造成射頻干擾，在這種情況下，使用者會被要求採取某些適當的對策。

Finnish laser statement

LASERTURVALLISUUS

LUOKAN 1 LASERLAITE

KLASS 1 LASER APPARAT

HP LaserJet 4370mfp, HP LaserJet 4730x mfp, HP LaserJet 4730xs mfp, HP LaserJet 4730xm mfp -laserkirjoitin on käyttäjän kannalta turvallinen luokan 1 laserlaite. Normaalisissa käytössä kirjoittimen suojakoteloointi estää lasersäteen pääsyn laitteen ulkopuolelle.

Laitteen turvallisuusluokka on määritetty standardin EN60825-1 (1994) mukaisesti.

VAROITUS!

Laitteen käyttäminen muulla kuin käyttöohjeessa mainitulla tavalla saattaa altistaa käyttäjän turvallisuusluokan 1 ylittävälle näkymättömälle lasersäteilylle.

VARNING!

Om apparaten används på annat sätt än i bruksanvisning specificerats, kan användaren utsättas för osynlig laserstrålning, som överskrider gränsen för laserklass 1.

HUOLTO

HP LaserJet 4370mfp, HP LaserJet 4730x mfp, HP LaserJet 4730xs mfp, HP LaserJet 4730xm mfp -kirjoittimen sisällä ei ole käyttäjän huollettavissa olevia kohteita. Laitteen saa avata ja huoltaa ainoastaan sen huoltamiseen koulutettu henkilö. Tällaiseksi huoltotoimenpiteeksi ei katsota väriainekasetin vaihtamista, paperiradan puhdistusta tai muita käyttäjän käsikirjassa lueteltuja, käyttäjän tehtäväksi tarkoitettuja ylläpitotoimia, jotka voidaan suorittaa ilman erikoistyökaluja.

VARO!

Mikäli kirjoittimen suojakotelo avataan, olet alttiina näkymättömälle lasersäteilylle laitteen ollessa toiminnassa. Älä katso säteeseen.

VARNING!

Om laserprinterns skyddshölje öppnas då apparaten är i funktion, utsättas användaren för osynlig laserstrålning. Betrakta ej strålen.

Tiedot laitteessa käytettävän laserdiodin säteilyominaisuuksista:

Aallonpituus 770-800 nm

Teho 5 mW

Luokan 3B laser

Australia

This equipment complies with Australian EMC requirements.

Index

Symbols/Numerics

- 2-sided printing 104
- 3-bin mailbox
 - capacity 7
 - configuring 173
 - light status 298
 - models including 4
 - modes 173
 - part number 10, 343
 - selecting 112
 - specifications, physical 353
- 500-sheet input tray
 - models including 2
- 500-sheet trays
 - adding 10
 - part numbers 10
 - selection settings 52
 - settings 41
 - specifications, physical 353
 - usage page 215

A

- accessories
 - lights 298
 - ordering 342
 - part numbers 10, 343
 - troubleshooting 299
- accounting hardware 183
- acoustic specifications 356
- address books, e-mail
 - auto-complete function 147
 - importing 194
 - LDAP support 141
 - recipient lists, creating 148
- address, printer
 - Macintosh, troubleshooting 317, 320
- ADF
 - blank pages 310
 - capacity 7

- cleaning delivery system 231
- coying from 135
- image shift, troubleshooting 311
- lines on copies 310
- maintenance kit 229
- skewed pages 310
- ADF input tray
 - locating 9
- ADF output bin
 - capacity 7
 - selecting 112
- adhesive labels. *See* labels
- agreements, maintenance 352
- Apple Macintosh. *See* Macintosh
- Australian EMC statement 380
- auto continue 54
- auto sense mode 50
- autoscaling copies 136
- AUX connection 7
- auxiliary connection configuration 75

B

- background printing,
 - troubleshooting 318
- background removal, copying 136
- battery specifications 374
- bins
 - capacities 7
 - locating 9
 - selecting 112
 - usage page 215
- blank pages, troubleshooting 310
- Bluetooth 77
- booklet printing 106
- both sides, printing on 121, 127
- browser requirements
 - embedded Web server 192

- HP Web Jetadmin 198
- buttons, control panel 32, 33

C

- cabinet/stand
 - models including 3
 - part number 10
 - specifications, physical 353
- cable, parallel
 - part number 344
- cable, USB
 - part number 344
- calibrating scanner 237
- Canadian DOC statement 378
- capacity
 - 3-bin mailbox 7
 - ADF 7
 - output bins 7
 - stapler/stacker 7
- cartridges
 - status, viewing with embedded Web server 193
- cartridges, print
 - ordering iii
 - part numbers 343
 - recycling 373
 - supplies status page, printing 214
 - warranty 349
- cartridges, staple
 - empty, stop or continue settings 178
 - loading 107
 - part numbers 10, 343
- checking toner level
 - HP Easy Printer Care software 222
- cleaning
 - about 230, 232
 - ADF delivery system 231

- ADF rollers 232
 - glass 230
 - mylar strip 235
 - outside of MFP 230
 - touchscreen 230
 - clearable warnings 54
 - clock
 - setting 208
 - color
 - adjusting 165
 - CMYK ink set emulation 162
 - color lockout 160
 - edge control 166, 170
 - four-color printing 162
 - halftone options 166, 169
 - HP ImageREt 3600 160
 - managing options 165, 169
 - matching 163
 - neutral grays 167, 169
 - options 161
 - Pantone® matching 163
 - printed vs. monitor 163
 - printing color samples 164
 - printing in grayscale 165, 169
 - sample book matching 163
 - sRGB 161
 - using 160
 - Color tab settings 123, 128
 - colored paper, copying 136
 - configuration page
 - printing 243
 - configurations, models 2
 - Configure device menu 43
 - configuring trays
 - custom paper size 87
 - connectivity features 7
 - contracts, maintenance 352
 - contrast, copy 136
 - control panel
 - buttons 32, 33
 - cleaning touchscreen 230
 - Configure device menu 43
 - copy-screen 132
 - copy/send settings 55
 - Copying submenu 44
 - Diagnostics menu 63
 - e-mail screen 144
 - Embedded Jetdirect submenu 58
 - Enhancement submenu 45
 - Fax menu 39
 - help 35
 - I/O submenu 57
 - Information menu 38
 - lights 32
 - locating 9
 - locking menus 188
 - menu map 36
 - messages, settings 54
 - messages, troubleshooting 297
 - navigation 34
 - Originals submenu 43
 - Paper handling menu 40
 - PCL submenu 49
 - Print quality submenu 50
 - Printing submenu 46
 - Resets submenu 61
 - Retrieve job menu 37
 - Sending submenu 45
 - Service menu 67
 - System setup submenu 51
 - troubleshooting 242
 - control panel messages 246
 - controlling print jobs 80
 - Copittrak devices 183
 - copy/send settings 55
 - copying
 - background removal 136
 - contrast settings 136
 - control-panel navigation 132
 - features 6, 131
 - job mode 135
 - multiple originals 135
 - Originals settings 43
 - quality, troubleshooting 304
 - reducing or enlarging 136
 - sharpness 136
 - speed specifications 5
 - storing jobs 138
 - usage page 215
 - using ADF 135
 - using custom settings 133
 - using default settings 133
 - using scanner glass 135
 - Copying submenu 44
 - cover pages 120, 126
 - covers 126
 - covers, locating 9
 - crooked pages 310
 - custom paper sizes
 - driver settings 120
 - customer support
 - embedded Web server links 195
 - HP Instant Support Professional Edition (ISPE) iii
 - Macintosh iv
 - maintenance agreements 352
 - online iii
 - service dealers iv
 - telephone iii
- D**
- date, setting 208
 - Declaration of Conformity 377
 - default settings, restoring 61
 - defects, repeating 313
 - delay, sleep 210
 - Describe Original settings 133
 - Desktop Printer Utility,
 - troubleshooting 317
 - DHCP servers 205
 - Diagnostics menu 63
 - dial-up connections 8
 - digital faxing 158
 - digital sending
 - about 139, 146
 - address books 148
 - configuring e-mail 142
 - control-panel settings 144
 - embedded Web server settings 194
 - folders 150
 - LDAP support 141
 - loading documents 146
 - Originals settings 43
 - Secondary e-mail option 150
 - sending documents 146
 - settings 45
 - SMTP servers 140
 - troubleshooting 242
 - validating gateway addresses 314
 - workflow 150
 - Digital Sending tab, embedded
 - Web server 194
 - DIMMs (dual inline memory modules)
 - installing 325

- DIMMs (dual inline memory)
 - part numbers 344
 - Disk Erase feature 185
 - DLC/LLC settings 58
 - document feeder kit, replacing 229
 - double-sided printing 104, 121, 122, 127, 128
 - downloading software iii
 - driver autoconfiguration 14
 - drivers
 - accessing 25, 27
 - downloading iii
 - Help 25
 - Macintosh iv
 - Macintosh, troubleshooting 319
 - presets 126
 - quick sets 118
 - selecting 25
 - DSL connections 8
 - duplex printing
 - binding options 106
 - control panel settings 105
 - manual 106
 - duplex printing accessory
 - locating 9
 - part number 10
 - specifications, physical 353
 - supported media weights and sizes 365
 - usage page 215
 - duplex-printing accessory
 - loading 121, 127
 - duplexing 121, 127
 - duty cycle 5
- E**
- e-mail
 - about 139, 146
 - address books 148
 - auto-complete function 147
 - configuring 142
 - control-panel settings 144
 - embedded Web server settings 194
 - LDAP support 141
 - loading documents 146
 - Originals settings 43
 - Secondary option, security 150
 - sending documents 146
 - settings 45
 - SMTP servers 140
 - system requirements 8
 - troubleshooting 242
 - validating gateway addresses 314
 - EIO card
 - part number 344
 - EIO cards
 - installing 338
 - electrical specifications 355
 - Embedded Jetdirect submenu 58
 - embedded Web server
 - assigning a password 182
 - checking toner level 222
 - description 19
 - Digital Sending tab 194
 - features 192
 - Information tab 193
 - IP address, changing 206
 - Networking tab 194
 - opening 192
 - Other Links tab 195
 - Settings tab 193
 - energy consumption 373
 - energy specifications 355
 - ENERGY STAR compliance 373
 - Enhanced I/O card
 - part number 344
 - Enhancement submenu 45
 - enlarging documents
 - copying 136
 - envelope feeder
 - part number 10
 - settings 40
 - specifications, physical 353
 - envelopes
 - jams 295
 - loading in Tray 1 90
 - margins 362
 - specifications 361
 - storing 362
 - environment, specifications 222, 357
 - environmental stewardship 373
 - EPS files, troubleshooting 318, 321
 - Equitrac devices 183
 - erasing hard disk 185
 - error messages
 - printing event log 63
 - settings 54
 - troubleshooting 297
 - Ethernet cards 7
 - event log 63
 - Explorer, versions supported
 - embedded Web server 192
 - HP Web Jetadmin 198
 - Extended Service iv
 - extended warranty 352
- F**
- factory default settings, restoring 61
 - fans, troubleshooting 242
 - fax accessory
 - configuration page 212
 - connecting phone line 156
 - installing 152
 - light status 301
 - models including 3
 - part number 10, 343
 - user guide 151
 - Fax menu 39
 - faxing, digital 158
 - FCC statements 371
 - features 2, 5
 - Finnish laser statement 380
 - firmware, upgrading 217
 - first page
 - blank 120
 - use different paper 120
 - first page, use different paper 126
 - flash memory card
 - installing 329
 - folders
 - sending to 150
 - fonts
 - EPS files, troubleshooting 318, 321
 - included 6
 - lists, printing 216
 - Macintosh, troubleshooting 318
 - Foreign Interface Harness (FIH) 7, 11, 183

- formatter cage, locking 189
- formatter cover, locating 9
- formatter lights 300
- FTP, sending to 150
- function-separator mode, 3-bin mailbox 173

G

- gateways
 - configuring 142
 - finding 143
 - settings 45
 - validating addresses 314
- glass
 - cleaning 230
 - copying from 135
- graphical display, control panel 32, 34
- grayscale printing 165, 169

H

- hard disk
 - erasing 185
 - font lists 216
- heartbeat LED 300
- help
 - control panel 35
- Help, printer-driver 25
- HP Digital Sending Software (HP DSS) 150
- HP DSS (Digital Sending Software) 150
- HP Easy Printer Care Software using 18, 196
- HP Easy Printer Care software using 196, 222
- HP fraud hotline 221
- HP Instant Support Professional Edition (ISPE) iii
- HP Jetdirect print server
 - configuration page 213
 - firmware updates 220
 - installing 338
 - IP address 205
 - lights 300
 - models including 2
 - settings 58
- HP Jetdirect print servers installing 335
- HP media, ordering 344

- HP OpenVMS drivers 24
- HP Printing Supplies Returns and Recycling Program 373
- HP Web Jetadmin
 - browsers supported 198
 - checking toner level 222
 - downloading 198
 - firmware updates 219
 - IP address, changing 205
- HP-Authorized Dealers iv
- humidity requirements 222, 357

I

- I/O configuration
 - network configuration 70
- I/O submenu 57
- IBM OS/2 drivers 24
- IEEE 802.11 standard 77
- image fuser kit, 110 volt
 - part number 343
- image fuser kit, 220 volt
 - part number 343
- image transfer (ETB) kit
 - part numbers 343
- Information menu 38
- information pages 212
- Information tab, embedded Web server 193
- input trays
 - capacities 364
 - configuring 86
- installing
 - EIO cards 338
 - fax accessory 152
- interface ports
 - included 7
 - locating 11
- Internet Explorer, versions supported
 - embedded Web server 192
 - HP Web Jetadmin 198
- Internet fax 158
- IP address
 - Macintosh, troubleshooting 317, 320
- IP addresses, configuring 205
- IPX/SPX settings 58
- ISPE (HP Instant Support Professional Edition) iii

J

- jam-access lever, locating 9
- jams
 - envelopes 295
 - locations 276
 - recovery 277
 - recovery settings 54
- Japanese cordset statement 378
- Japanese VCCI statement 378
- Jetadmin
 - browsers supported 198
 - downloading 198
 - firmware updates 219
 - IP address, changing 205
- Jetdirect print server
 - configuration page 213
 - firmware updates 220
 - installing 338
 - IP address 205
 - lights 300
 - models including 2
 - settings 58
- job mode, copying 135
- job storage
 - copies 138
 - Retrieve job menu 37
 - settings 51

K

- Kensington locks 189
- kits, maintenance
 - supplies status page, printing 214
- Korean EMI statement 379

L

- labels
 - specifications 362
- LAN fax 158
- LAN-connector 7
- landscape orientation
 - originals settings 43
- language, control panel 242
- languages, printer 6, 53
- laser safety statements 378
- LDAP servers
 - connecting to 141
 - embedded Web server settings 194
 - settings 45

- validating gateway addresses 314
- lights
 - accessories 298
 - control panel 32
 - fax accessory 301
 - formatter 300
- lines, troubleshooting 310
- link speed, network 58
- links
 - embedded Web server 195
- Linux drivers 24
- loading
 - staples 107
- locking
 - control panel menus 188
 - formatter cage 189
- log, event 63

M

- Macintosh
 - background printing 318
 - drivers, accessing 26, 27
 - drivers, troubleshooting 319
 - fonts, troubleshooting 318
 - operating systems supported 13
 - problems, troubleshooting 317
 - support Web sites iv
 - USB card, troubleshooting 318, 321
- mailbox mode 173
- mailbox, 3-bin
 - capacity 7
 - configuring 173
 - light status 298
 - models including 4
 - modes 173
 - part number 343
 - part numbers 10
 - selecting 112
 - specifications, physical 353
- maintenance agreements iv, 352
- maintenance kit
 - supplies status page, printing 214
- map, menu 36
- margins, envelopes 362

- Material Safety Data Sheets (MSDS) 376
- media
 - custom sizes, setting 120
 - document size, selecting 119
 - first page 126
 - first page 120
 - HP, ordering 344
 - loading Tray 2 97
 - loading Tray 2, 3, and 4 94
 - loading Tray 2, 3, or 4 92
 - pages per sheet 120, 127
 - settings 46
 - specifications 360
 - stapling 176
 - storing 360
 - supported weights and sizes 364
 - tray settings 40
 - usage page 215
- media sensing 50
- memory
 - adding 117, 323
 - enabling 333
 - features 5
 - included 2
 - managing 117
 - part numbers 344
- Menu button 32
- menu map, control panel 36
- menus, control panel
 - Configure device 43
 - copy/send settings 55
 - Copying 44
 - Diagnostics 63
 - Embedded Jetdirect 58
 - Enhancement 45
 - Fax 39
 - I/O 57
 - Information 38
 - locking 188
 - Originals 43
 - Paper handling 40
 - PCL 49
 - Print quality 50
 - Printing 46
 - Resets 61
 - Retrieve job 37
 - Sending 45
 - Service 67

- System setup 51
- mercury specifications 374
- messages
 - error 245
 - settings 54
 - status 245
 - troubleshooting 297
 - warning 245
- messages, control panel
 - printing event log 63
- MFP information pages
 - troubleshooting 243
- Microsoft Windows. See Windows
- models, features 2
- monthly duty cycle 5
- mopier mode 116
- multiple pages per sheet 120, 127
- mylar strip
 - cleaning 235

N

- n-up printing 120, 127
- Netscape Navigator, versions supported
 - embedded Web server 192
 - HP Web Jetadmin 198
- Networking tab, embedded Web server 194
- networks
 - administrative tools 20
 - AppleTalk 76
 - configuring 70
 - connectivity features 7
 - default gateway 71
 - disabling DLC/LLC 72
 - disabling protocols 72
 - e-mail system requirements 8
 - HP Jetdirect configuration page 213
 - installing EIO cards 338
 - IP address 70
 - IP addresses 205
 - Novell NetWare 76
 - print servers included 2
 - settings 58
 - SMTP servers 141
 - software 17
 - subnet mask 71
 - TCP/IP parameters 70

- troubleshooting printing 315
- UNIX/Linux 76
- validating gateway addresses 314
- Windows 76

noise specifications 356

number of copies 46

O

- on/off switch, locating 9
- online customer support iii
- online help
 - control panel 35
- operating environment
 - specifications 222, 357
- operating systems supported 13
- ordering
 - media, HP 344
 - part numbers for 343
 - supplies and accessories 342
- ordering supplies iii
- orientation, page
 - originals settings 43
- Originals submenu 43
- OS/2 drivers 24
- other links
 - embedded Web server 195
- output bins
 - capacities 7
 - locating 9
 - selecting 112
 - usage page 215
- output quality
 - troubleshooting 304
- ozone specifications 373

P

- page orientation
 - originals settings 43
- pages per minute 5
- pages per sheet 120, 127
- paper
 - custom sizes, setting 120
 - document size, selecting 119
 - first page 120, 126
 - HP, ordering 344
 - pages per sheet 120, 127
 - settings 46
 - specifications 360
 - stapling 176

- storing 360
- supported weights and sizes 364
- tray settings 40
- usage page 215

Paper handling menu 40

paper jams

- 3-bin mailbox 287
- ADF 291
- output accessory bridge 290
- right covers 278
- staple jams 286
- stapler/stacker 285
- tray 1 283
- trays 3, 3, 4 283

paper path

- testing 63

paper path test page

- printing 243

paper specifications 364

parallel configuration 73

parallel port

- features 7
- locating 11

part numbers

- media, HP 344
- memory 344
- print cartridges 343

PCL drivers

- selecting 25

PCL font list 216

PCL submenu 49

personality settings 53

phone line, connecting fax

- accessory 156

phone numbers

- ordering supplies iii
- service agreements iv
- support iii

physical specifications 353

PIN (personal identification number)

- private jobs 115

platforms supported 13

portrait orientation

- originals settings 43

ports

- included 7
- locating 11

- troubleshooting Macintosh 318, 321

PostScript Printer Description (PPD) files

- troubleshooting 317

power

- consumption 373
- specifications 355
- troubleshooting 240

power switch, locating 9

PPDs

- troubleshooting 317

preconfiguration 14

presets 126

print cartridge

- authentication 221
- checking toner levels 222
- genuine HP 221
- life expectancy 222
- managing 221
- non-HP 221
- replacing 223
- storing 222

print cartridges

- ordering iii
- part numbers 343
- recycling 373
- status, viewing with embedded Web server 193
- supplies status page, printing 214
- warranty 349

Print Document On 119

print media

- colored paper 101
- envelopes 101
- for color printing 161
- glossy paper 100
- heavy paper 102
- labels 101
- letterhead 103
- loading in Tray 1 89
- media to avoid 82
- preprinted forms 103
- recycled paper 103
- selecting 82
- specifications 364
- supported sizes 364
- supported types 364
- supported weights 364

- Tough paper 102
- transparencies 100
- print quality
 - troubleshooting 304
- Print quality submenu 50
- print server card
 - installing 335
- printer
 - drivers 24, 27
- printer driver
 - Services tab 124
- printer languages 6, 53
- printer maintenance kit
 - supplies status page, printing 214
- printing
 - booklets 106
 - canceling 111
 - output bin, selecting 112
 - special media 100
 - special situations 110
 - speed specifications 5
 - usage page 215
- printing envelopes 90
- printing from Tray 2, 3, or 4 92
- Printing submenu 46
- printing tasks 79
- priority onsite service 352
- private jobs
 - deleting 116
 - printing 115
- processor speed 5
- protocol settings 58
- PS drivers
 - selecting 25
- PS font list 216

Q

- quality
 - troubleshooting 304
- quick sets 118

R

- recycling
 - plastics 373
 - print cartridges 373
- reducing documents
 - copying 136
- registration page
 - printing 243

- regulatory statements
 - Australian EMC 380
 - Canadian DOC statement 378
 - Declaration of Conformity 377
 - FCC 371
 - Finnish laser statement 380
 - Japanese cordset statement 378
 - Japanese VCCI statement 378
 - Korean EMI statement 379
 - laser safety 378
 - Material Safety Data Sheets (MSDS) 376
 - Taiwan safety statement 379
 - Telecom 372
- remote firmware update (RFU) 217
- repeating defects, troubleshooting 313
- replacing
 - staple cartridges 107
- reset button 32, 33
- Resets submenu 61
- resizing documents
 - copying 136
- resolution
 - specifications 5
 - troubleshooting quality 304
- restoring default settings 61
- retention, job
 - copies 138
 - Retrieve job menu 37
- Retrieve job menu 37
- rollers
 - cleaning ADF 232
- ruler, repetitive defect 313

S

- scaling documents
 - copying 136
- scanner calibration 237
- scanner glass
 - cleaning 230
 - copying from 135
- scanner tests 63
- scanning
 - speed specifications 5
- scanning e-mail

- validating gateway addresses 314
- scanning to e-mail
 - about 139, 146
 - address books 148
 - configuring 142
 - control-panel settings 144
 - embedded Web server settings 194
 - LDAP support 141
 - loading documents 146
 - Originals settings 43
 - Secondary option, security 150
 - sending documents 146
 - settings 45
 - SMTP servers 140
 - troubleshooting 242
- Secure Disk Erase 185
- security
 - disk erase 185
 - e-mail 150
 - Foreign Interface Harness (FIH) 183
 - locking control panel menus 188
 - locking formatter cage 189
- security features 8
- Send to Folder 150
- Send to Workflow 150
- Sending submenu 45
- sending to e-mail
 - about 139, 142, 146
 - address books 148
 - embedded Web server settings 194
 - LDAP support 141
 - loading documents 146
 - Originals settings 43
 - Secondary option, security 150
 - sending documents 146
 - settings 45, 144
 - SMTP servers 140
 - troubleshooting 242
 - validating gateway addresses 314
- sensor test 63
- service
 - agreements iv, 352

- HP-authorized dealers iv
 - Service menu 67
 - Services tab 124
 - settings
 - configuration page 212
 - driver presets 126
 - quick sets 118
 - restoring defaults 61
 - Settings tab, embedded Web server 193
 - sharpness, copy settings 136
 - Show me how Help 35
 - size, media
 - default settings 47
 - tray settings 40
 - skewed pages 310
 - Sleep button 32
 - sleep settings
 - delay 210
 - power specifications 355
 - wake time 209
 - SMTP servers
 - connecting to 140
 - validating gateway addresses 314
 - software
 - applications 20
 - digital sending (HP DSS) 150
 - downloading iii
 - HP Easy Printer Care 18
 - installing 14
 - Macintosh iv
 - macintosh 21
 - networks 17
 - operating systems supported 13
 - uninstalling 17
 - utilities 18
 - space requirements 353
 - special media
 - printing 100
 - special situations
 - blank back cover 110
 - custom-sized media 110
 - different first page 110
 - printing 110
 - specifications
 - acoustic 356
 - electrical 355
 - envelopes 361
 - features 5
 - labels 362
 - operating environment 222, 357
 - paper 360
 - physical 353
 - skew 310
 - transparencies 362
 - speed specifications 5
 - stacker mode, 3-bin mailbox 173
 - standard output bin
 - capacity 7
 - locating 9
 - selecting 112
 - staple cartridges
 - empty, stop or continue settings 178
 - loading 107
 - part numbers 10, 343
 - staple jams 286
 - stapler/stacker
 - capacity 7
 - empty, stop or continue settings 178
 - light status 298
 - loading staples 107
 - models including 3
 - part number 10, 343
 - printing to 176
 - selecting 112
 - specifications, physical 353
 - stapling 107
 - stapling 107
 - stapling documents 176
 - stapling options 123
 - Start button 32, 33
 - status
 - Information tab, embedded Web server 193
 - lights 298
 - Status button 32
 - Stop button 32, 33
 - stopping a print request 111
 - storage cabinet
 - models including 3
 - part number 10
 - specifications, physical 353
 - storage, job
 - copies 138
 - Retrieve job menu 37
 - settings 51
 - storing
 - envelopes 362
 - paper 360
 - storing jobs
 - deleting 114
 - printing 114
 - private jobs 115
 - proof and hold jobs 114
 - quick-copying 115
 - storing 116
 - subnet mask 71
 - supplies
 - locating 227
 - ordering iii, 342
 - part numbers 10, 343
 - recycling 373
 - replacement intervals 228
 - replacing 227
 - status, viewing with embedded Web server 193
 - support
 - embedded Web server links 195
 - HP Instant Support Professional Edition (ISPE) iii
 - Macintosh iv
 - maintenance agreements 352
 - online iii
 - service dealers iv
 - telephone iii
 - supported media weights and sizes 364
 - system requirements
 - embedded Web server 192
 - HP Web Jetadmin 198
 - printing software 13
 - system requirements, e-mail 8
 - System setup submenu 51
- T**
- Taiwan safety statement 379
 - TCP/IP settings 58, 205
 - technical support
 - embedded Web server links 195
 - HP Instant Support Professional Edition (ISPE) iii
 - Macintosh iv
 - maintenance agreements 352

- online iii
 - service dealers iv
 - telephone iii
 - Telecom statement 372
 - telephone numbers
 - ordering supplies iii
 - service agreements iv
 - support iii
 - temperature
 - requirements 222
 - temperature requirements 357
 - tests 63
 - time, setting 208
 - toner
 - usage page 215
 - top cover
 - locating 9
 - touchscreen, cleaning 230
 - transparencies
 - HP, ordering 346
 - specifications 362
 - tray 1
 - locating 9
 - selection settings 52
 - settings 40
 - usage page 215
 - trays
 - double-sided printing 122, 128
 - included 2
 - selection settings 52
 - settings 40, 41
 - specifications, physical 353
 - usage page 215
 - troubleshooting
 - accessories 298, 299
 - ADF output quality 310
 - blank pages 310
 - checklist 240
 - color printing problems 302
 - control panel 242
 - control-panel messages 297
 - digital sending 242
 - duplexing 296
 - EPS files 318, 321
 - gateway addresses 314
 - jams 276
 - lines 310
 - Macintosh problems 317
 - media handling problems 293
 - network printing 315
 - overhead transparencies 304
 - quality 304
 - repeating defects 313
 - skewed pages 310
 - transparencies 295
 - TrueType fonts included 6
 - two-sided printing
 - control panel settings 105
 - typefaces
 - font lists 216
 - included 6
- U**
- UNIX drivers 24
 - Update Now 14
 - upgrading firmware 217
 - usage page 215
 - USB configuration 74
 - USB port
 - troubleshooting Macintosh 318, 321
 - Use Different Paper/Covers 120
- V**
- validating gateway addresses 314
 - voltage specifications 355
 - voltage, troubleshooting 242
- W**
- wake time, setting 209
 - warranty
 - extended iv, 352
 - MFP 348
 - print cartridge 349
 - watermarks
 - cover page 126
 - Web browser requirements
 - embedded Web server 192
 - Web Jetadmin
 - browsers supported 198
 - downloading 198
 - firmware updates 219
 - IP address, changing 205
 - Web sites
 - customer support iii
 - downloading software iii
 - environmental information 376
 - HP Web Jetadmin, downloading 198
 - Macintosh support iv
 - Material Safety Data Sheets (MSDS) 376
 - ordering supplies iii, 342
 - paper specifications 360
 - service agreements iv
 - What is this? Help 35
 - Windows
 - drivers, accessing 25
 - versions supported 13
 - Windows 2000 fax 158
 - wireless printing
 - 802.11 standard 77
 - Bluetooth 77
 - workflow, send to 150
 - wrong printer, sending to 317

© 2005 Hewlett-Packard Development Company, L.P.

www.hp.com



Q7517-90981