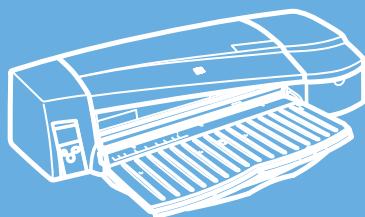


HP Designjet
30/90/130 series



Quick reference guide



i n v e n t

How Do I...?

How Do I Perform a Color Calibration?3
 How Do I Load Sheets of Paper? (General Guidance)4
 How Do I Load Paper Using the Front Path?6
 How Do I Unload Paper from the Front Path?6
 How Do I Load Paper in the Input Tray? (30 Printer series).....8
 How Do I Load Paper in the Input Tray? (90/130 Printer series).....9
 How Do I Load Sheet Paper Using the Rear Path?11
 How Do I Load a Roll of Paper? (90 Printer series)13
 How Do I Unload a Roll of Paper? (90 Printer series).....15
 How Do I Load a Roll of Paper? (130 Printer series)16
 How Do I Unload a Roll of Paper? (130 Printer series).....18
 How Do I Print on Large Sheets? (30 Printer series)19
 How Do I Print on Large Sheets? (90 Printer series)20
 How Do I Print on Large Sheets? (130 Printer series)22
 How Do I Select Paper Type?24
 How Do I Replace Ink Cartridges?26
 How Do I Clean a Printhead?27
 How Do I Replace Printheads?31
 How Do I Align Printheads?35
 How Do I Access the Printer Driver?36
 How Do I Print from Adobe Photoshop?37
 How Do I Use HP Designjet System Maintenance?40
 How Do I Print the Printer Information Pages?41
 How Do I Test My Printer?.....41

The Problem Is...

The Problem is the Input Tray Will Not Fit Properly42
 The Problem is a Sheet of Paper is Jammed (30 Printer series)43
 The Problem is a Sheet of Paper is Jammed (90/130 Printer series).....44
 The Problem is a Roll of Paper is Jammed45
 The Problem is there is a Printhead Failure46
 The Problem is Bad Color50
 The Problem is Poor Print Quality51
 The Problem is a Partial or Blank Image is Printed52
 The Problem is Paper is Not Taken from the Input Tray54
 The Problem is the Printer Rejects Paper from Front Path or Tray55
 The Problem is the Printer Takes Two or More Sheets At Once56
 The Problem is Images are Low Resolution57
 The Problem is the Printer has Not Received the Job58
 The Problem is a Flashing Tool Icon in the Front Panel.....59
 The Problem is Something Else (General Guidance)61

HP Designjet 30/90/130 Printer series – Quick Reference Guide

Tell Me About...

Tell Me About the Front Panel	62
Tell Me About the Icons on the Front Panel	63
Tell Me About Hardware Error Information	65
Tell Me About Color Calibration	66
Tell Me About HP Designjet System Maintenance.....	67
Tell Me More About My Printer.....	68

Legal information

HP Limited Warranty Statement	69
Regulatory Notices	73

Important Note: To ensure color consistency, you must perform a color calibration at various times. See “Tell Me About Color Calibration” on page 66.

More information

For more information about your printer (including Mac driver and networking information), and troubleshooting printer problems, refer to the *HP Designjet Driver and Documentation CD*. For information about the Windows driver, use the on-line help for the driver.



The information contained herein is subject to change without notice. The only warranties for HP products and services are set forth in the express warranty statements accompanying such products and services. Nothing herein should be construed as constituting an additional warranty. HP shall not be liable for technical or editorial errors or omissions contained herein.

How Do I Perform a Color Calibration?

To ensure that color consistency is maintained, you will need to perform a color calibration at various times (for example, when you change the printheads). For more information on when you should perform a color calibration, refer to “Tell Me About Color Calibration” on page 66.

The calibration is performed for a given combination of printheads, paper type, and print quality. After you have done the calibration, the calibration data is stored in the printer and is used the next time you print with the same type of paper loaded.

Note that the color calibration is restricted to HP manufactured paper of certain types. Refer to the *HP Designjet Driver and Documentation* CD for more details.

For more general information about color calibration, refer to “Tell Me About Color Calibration” on page 66.

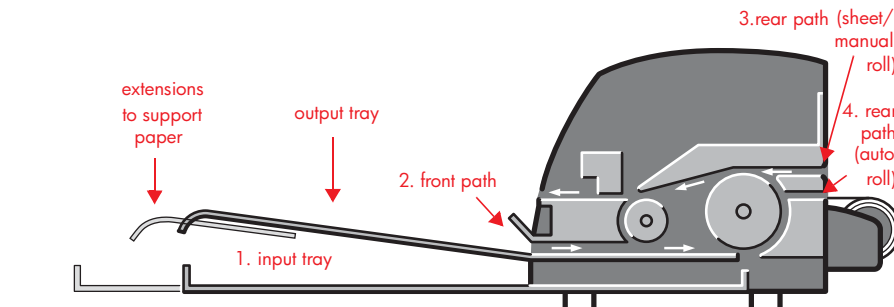
1. Make sure that you have a blank sheet of A4 or Letter paper, or a roll of paper of the relevant type at hand.
2. Double-click the *HP Designjet Color Calibration* icon on the desktop.
3. Choose the appropriate on-screen options.

The color calibration print will be produced. Once the calibration has finished, you do not need to keep the printout.

HP Designjet 30/90/130 Printer series – Quick Reference Guide

How Do I Load Sheets of Paper? (General Guidance)

There are four ways of loading sheets of paper into the printer if you have the Automatic Roll Feed installed on your printer. There are three ways of loading paper if you have the manual roll feed or no roll feed installed:



1. The **input tray** at the front of the printer for normal sheets of paper between:
 - 76 × 142 mm (3 × 5.6 inches) and 457 × 610 mm (18 × 24 inches) (C+ or A2+). (90 and 130 printer series)
 - 95 × 146 mm (3.74 × 5.75 inches) and 330 × 483 mm (13 × 19 inches). (30 Printer series)

Envelopes can also be loaded in the input tray.
2. The **front path** for paper between:
 - 95 × 146 mm (3.74 × 5.75 inches) and 330 × 483 mm (13 × 19 inches). (30 Printer series)
 - 152 × 229 mm (6 × 9 inches) and 458 × 1625 mm (18.03 × 63.9 inches) (A2 oversize). (90 Printer series)
 - 110 × 205 mm (4.3 × 8.1 inches) and **625 × 1625 mm (24.6 × 63.9 inches) (D+ or A1+)**. (130 printer)
3. The **rear path** (upper slot), for single thick sheets of paper or other media between:
 - 95 × 146 mm (3.74 × 5.75 inches) and 330 × 483 mm (13 × 19 inches). (30 Printer series)
 - 76 × 205 mm (4 × 8.1 inches) and 458 × 1625 mm (18.03 × 63.9 inches) (A2+). (90 Printer series)

How Do I Load Sheets of Paper? (General Guidance) (continued)

- 110 × 205 mm (4.3 × 8.1 inches) and 625 × 1625 mm (**24.6 × 63.9 inches) (D+ or A1+)**. (130 printer)

The **rear path** (upper slot) is also used for roll input if your printer has the manual roll feed installed.

4. The **rear path** (lower slot) is used for roll input if your printer has the Automatic Roll Feed installed (HP Designjet 130 only).

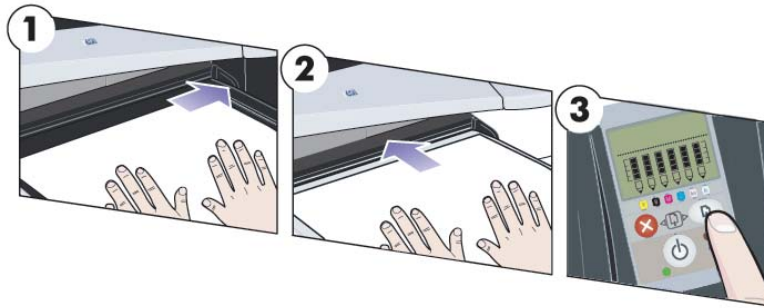
The **extensions** may be used to support large sheets of paper going into the front input path, and also act as supports for paper arriving in the output tray.

Important: If you wish to print to a sheet and there is a roll of paper loaded in the printer, the roll must be unloaded to allow printing to the sheet. If you are using the 90 Printer series, see “How Do I Unload a Roll of Paper? (90 Printer series)” on page 15. If you are using the 130 printer, see “How Do I Unload a Roll of Paper? (130 Printer series)” on page 18.

HP Designjet 30/90/130 Printer series – Quick Reference Guide

How Do I Load Paper Using the Front Path?

Note that the illustration below shows the HP Designjet 130 printer.



1. Place a piece of paper in the output tray, aligning it on the right of the output tray, with the surface that is to be printed facing down. Do NOT stack paper.
2. Push the paper into the printer, pushing it firmly in as far as it will go, while maintaining its alignment to the right. Ensure that your hands are flat on the paper and close to the slot, and that the paper remains flat. If the printer does not “catch” the paper, try again, making sure that the leading edge of the paper is flat.
3. If you are using the 90/130 Printer series, press the OK key (the upper right key) on the front panel.

The printer will check the alignment of the paper, and if it is misaligned, it will eject the paper; in this case you will have to reload the paper.

How Do I Unload Paper from the Front Path?

If you want to change or remove the paper that you have loaded before printing, for example to change the type of paper or to use a different input path:

- If you are using the 30 Printer series, pull the unwanted paper gently out of the printer.
- If you are using the 90/130 Printer series, press the Cancel and OK keys **at the same time** to eject the paper.

HP Designjet 30/90/130 Printer series – Quick Reference Guide

How Do I Load Paper Using the Front Path? (continued)

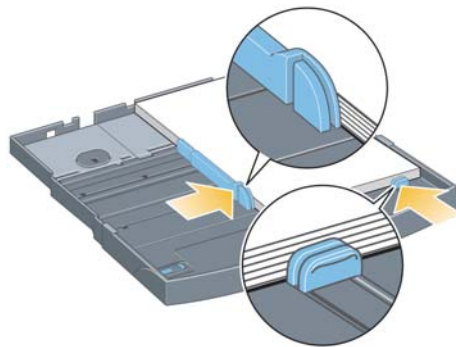
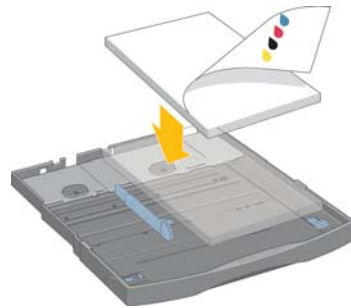
Note that the illustration below shows the HP Designjet 130 printer.



HP Designjet 30/90/130 Printer series – Quick Reference Guide

How Do I Load Paper in the Input Tray? (30 Printer series)

1. Remove the tray.
2. Adjust the size of the tray if necessary. If the paper you are using is larger than Legal- or A4-size, extend the tray. For Legal- and A4-size or smaller paper, use the tray in its normal size. To adjust the size of the tray, first slide the tray extension locking tab to the left until it clicks. This unlocks the tray extension. To lengthen the tray, pull the tray extension out as far as it will go. To make the tray shorter, push the tray extension in as far as it will go. The tray extension locking tab will click back to its normal position, locking the tray size.
3. Place the paper in the tray, to the right and towards the printer.
4. Push in the small tab on the right of the tray so that it fits snugly against the paper.



5. Move the larger tab on the left of the tray to the right so that it fits snugly against the paper.
6. Insert the tray into the printer, pushing it in as far as it will go. Note that if the paper tray is extended, it will project out from the printer and must be supported.

How Do I Load Paper in the Input Tray? (90/130 Printer series)

1. Remove the tray from the printer.



2. Remove the dust cover from the tray. Adjust the size of the tray if necessary. If the paper you are using is larger than Legal- or A4-size, extend the tray. For Legal- and A4-size or smaller paper, use the tray in its normal size. To adjust the size of the tray, slide the tray extension locking tab to the left until it clicks. This unlocks the tray extension. To lengthen the tray, pull the tray extension out as far as it will go. To make the tray shorter, push the tray extension in as far as it will go. The tray extension locking tab will click back to its normal position, locking the tray size.



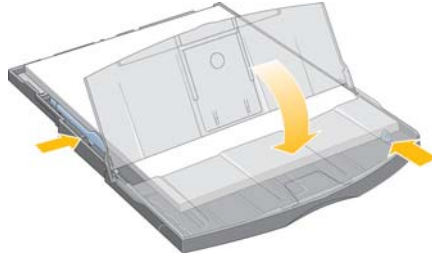
3. Place the paper in the tray, to the right and towards the printer.



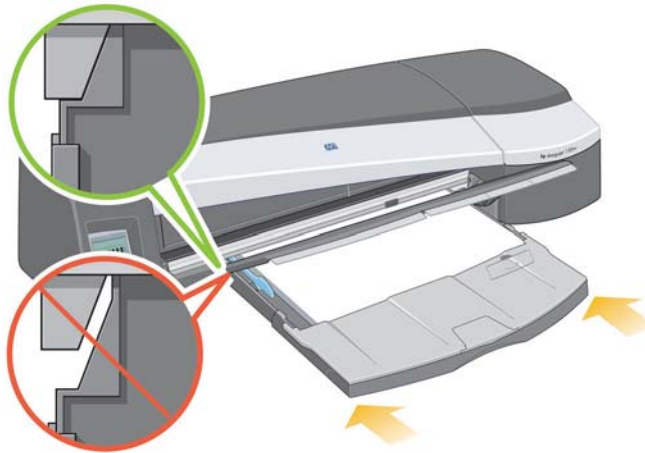
Do not try to load more than 70 sheets of plain paper, 50 sheets of coated paper, or 20 sheets of glossy paper in the tray (for more details, see the *HP Designjet Driver and Documentation CD*).

HP Designjet 30/90/130 Printer series – Quick Reference Guide**How Do I Load Paper in the Input Tray? (90/130...) (continued)**

4. Push in the small tab on the right of the tray so that it fits snugly against the paper. Move the larger tab on the left of the tray to the right so that it too fits snugly against the paper.



5. Replace the dust cover.
6. Lift up the output tray and insert the input tray into the printer, keeping it straight and pushing it in from both sides as far as it will go. The left inside corner must be aligned with the plastic paper tray guide and the right inside corner must be aligned with the sticker of the input tray.



7. Lower the output tray, pushing the tray slightly to the left. Note that if the paper tray is extended, it will project out from the printer and must be supported. Check that the tray is fully inserted.

How Do I Load Sheet Paper Using the Rear Path?

In order to print on sheet paper using the rear path, you must submit your print job to the printer before loading the paper.

1. Set the paper source to Rear Manual Feed. If you leave the paper source set to Auto Select (Windows) or Automatic (Mac OS), the printer will start printing on any paper that is already loaded. If you specify Rear Manual Feed, you do not need to remove paper from the tray before using the rear path.

2. Submit your print job, then wait for the Paper Status icon on the front panel to flash before you load the sheet into the rear path. The Paper Status icon is shown on the right.



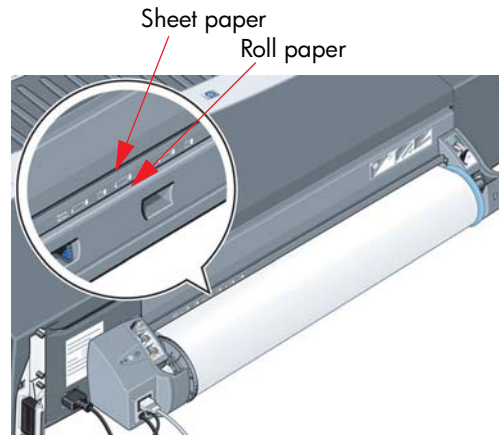
- If the Automatic Roll Feed is installed on your printer (130 only) and a roll of paper is in the rear path, the roll will automatically be unloaded when you submit your print job. The Paper Status icon will then flash to indicate there is no longer any paper in the rear path. You can then load your sheet.

If other icons appear, such as the Roll icon with the Paper Jam icon, or the Roll icon with the Paper Misalign icon, you may have to unload the roll manually before continuing to load a sheet.

- If the manual roll feed is installed on your printer (90 Printer series) and a roll of paper is in the rear path, you will need to unload it manually before you can print on sheet paper. See “How Do I Unload a Roll of Paper? (90 Printer series)” on page 15.
3. When you are ready to load the sheet, place the paper in the rear feed, to the left as seen from the rear, *with the surface on which you wish to print facing up.*

HP Designjet 30/90/130 Printer series – Quick Reference Guide**How Do I Load Sheet Paper Using the Rear Path? (continued)**

If your printer has two slots, you must feed the sheet through the upper slot (the lower slot is for roll paper only).



4. Align the left edge of the paper with the left mark on the rear feed. If you do not see a mark, align it with the paper stop near the left-hand end of the roll feed spindle. Make sure that the leading edge of the sheet is parallel to the slot and aligned properly.
5. Push the paper into the printer, pushing it as far as it will go. For best results you should push the paper in quickly rather than slowly.

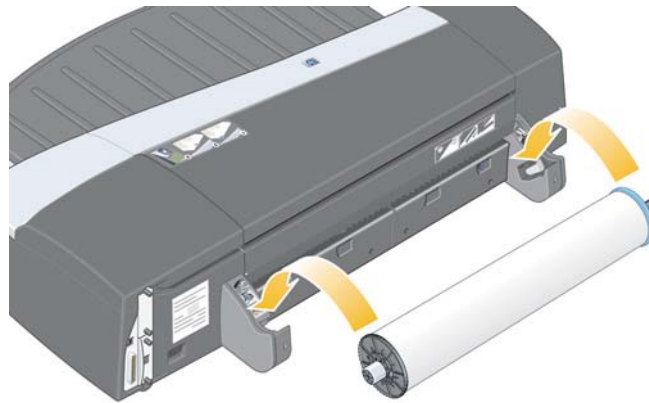
How Do I Load a Roll of Paper? (90 Printer series)

Roll paper can be used only if you have the roll feed accessory.

Note that only one source of paper can be used by the printer at any time. So if a roll of paper is loaded **and the software requests printing on a sheet of paper**, you must unload the roll manually before you can print to the sheet. If subsequent jobs require a roll to be used, the roll must be loaded again before they can be printed.

You can cut a roll without unloading it by pressing the OK key; the paper first advances about 1 cm.

1. Set your application to pick paper from the roll feed.
2. Select Print from your application.
3. Load a roll of the required paper onto the spindle. Ensure that the roll is the right way round with the surface on which you wish to print facing up and that the blue stop on the spindle is pushed in against the paper.
4. Insert the spindle into its retaining slots, with the blue stop on the right and the black stop on the left as seen from the rear of the printer.



If the paper is glossy, we recommend that you wear gloves to avoid smearing the surface of the paper.

5. Make sure that the leading edge of the roll is straight and perpendicular to its side edges.

HP Designjet 30/90/130 Printer series – Quick Reference Guide

How Do I Load a Roll of Paper? (90 Printer series) (continued)

6. Rewind any excess paper so that the paper is rolled tightly onto the spindle.



7. Insert the leading edge of the paper into the rear of the printer until it encounters resistance, keeping the sides of the paper rolled tightly so that the paper is properly aligned.

8. After emitting a 'beep' the printer will take up the paper.

9. The printer will check the alignment of the paper.



If the paper is properly aligned, the Roll icon will appear on the display, indicating that the printer is ready to print.



If the paper is misaligned, the printer will eject the paper and the display will show the Misaligned and Roll icons; in that case you will have to reload the paper.



How Do I Unload a Roll of Paper? (90 Printer series)

Important: do not pull on the roll of paper once it is taken up by the printer; that is, if there is any resistance.

1. Press the Cancel and OK keys **at the same time** to eject the roll of paper.



2. Pull the roll towards you and remove the paper completely from the rear paper path of the printer. The icons shown below flash until the paper is completely out; because, if the paper is only partially removed, paper jams may subsequently occur. Sometimes the paper may by itself fall away from the rear path.



3. You do not need to remove the spindle from the printer.

HP Designjet 30/90/130 Printer series – Quick Reference Guide

How Do I Load a Roll of Paper? (130 Printer series)

This section is only relevant if your printer has a roll feed installed.

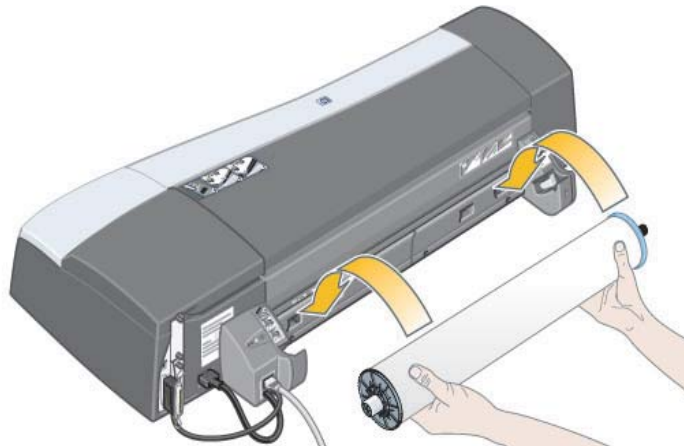
Only one source of paper can be used by the printer at any one time, so if a roll of paper is loaded **and the software requests printing on a sheet of paper:**

- If you have a manual roll feed installed on your printer, you must unload the roll manually before you can print to a sheet of paper.
- If you have the Automatic Roll Feed installed on your printer, the roll is automatically unloaded by the printer.

In any case, the roll is automatically reloaded the next time printing to the roll is requested.

You can cut a roll without unloading it by pressing the OK key (top right key on the front panel); the paper first advances about 1 cm or 0.4 inch.

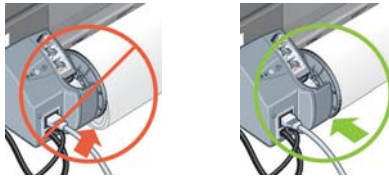
1. Set your application to pick paper from the roll feed (only applicable with the manual roll feed).
2. Select Print from your application.
3. Load a roll of the required paper onto the spindle. Ensure that the roll is the right way round with the surface on which you wish to print facing up and that the blue stop on the spindle is pushed in against the paper.
4. Insert the spindle into its retaining slots, with the blue stop on the right and the black stop on the left as seen from the rear of the printer.



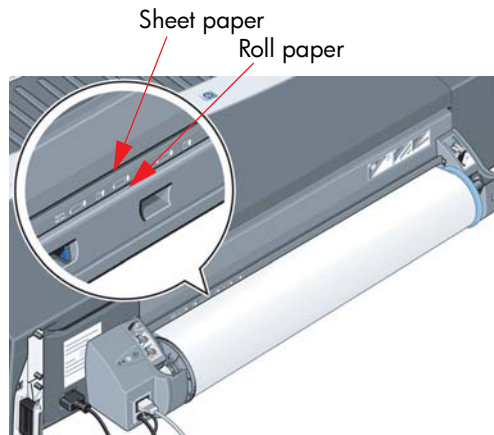
How Do I Load a Roll of Paper? (130 Printer series) (continued)

If the paper is glossy, we recommend that you wear gloves to avoid smearing the surface of the paper.

5. Make sure that the leading edge of the roll is straight and perpendicular to its side edges and has no irregularities.
6. Rewind any excess paper so that the paper is rolled tightly onto the spindle.



7. Insert the leading edge of the paper into the *lower* slot in the rear of the printer. Push the paper in until it encounters resistance, keeping the sides of the paper rolled tightly so that the paper is aligned properly. After emitting a 'beep', the printer will take up the paper.



The printer will check the alignment of the paper. If the paper is properly aligned, the roll icon will appear on the display, indicating that the printer is ready to print.



If the paper is misaligned, the printer will eject the paper and the display will show the misaligned and roll icons; you will have to reload the paper.



8. Repeat Step 6, so that the paper is tightly rolled onto the spindle.

HP Designjet 30/90/130 Printer series – Quick Reference Guide

How Do I Unload a Roll of Paper? (130 Printer series)

This section is only relevant if your printer has a roll feed installed.

Important: Do not pull on the roll of paper once it is taken up by the printer, that is, if there is any resistance.

There are two ways of unloading a roll of paper:

If you want to unload the roll in order to feed a single sheet through the printer, press the *Cancel* and *OK* keys on the front panel *at the same time* (see below). If you later request printing to the roll, the Automatic Roll Feed will then automatically reload the roll.



If you want to unload the roll in order to completely remove it (for example, you no longer wish to use this roll of paper):

1. Push the Eject button on the left roll feed support at the rear of the printer.
Avoid pressing the Eject button several times, as this can damage the paper.
2. Pull the roll towards you and remove the paper completely from the rear paper path of the printer. The icons shown below flash until the paper is completely out, because if the paper is only partially removed, paper jams may subsequently occur. Sometimes the paper may fall away from the rear path by itself.



You do not need to remove the spindle from its supports in the printer.

HP Designjet 30/90/130 Printer series – Quick Reference Guide

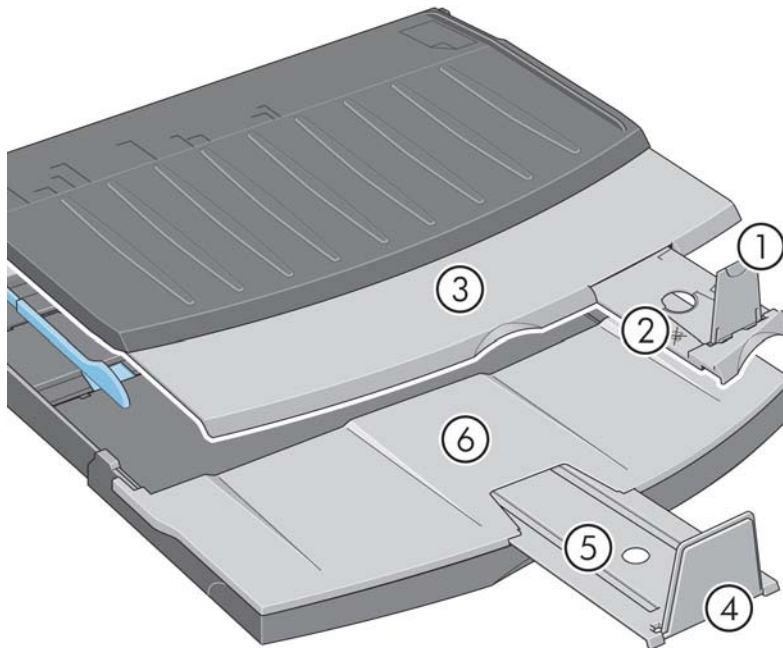
How Do I Print on Large Sheets? (30 Printer series)

The output tray has an extension that can be pulled out to extend its length. When printing on large sheets of paper (A3, A3+, B, B+ and larger sizes) stored in the input tray, pull out the extension to support the paper when it emerges from the printer. It should now look like this:



HP Designjet 30/90/130 Printer series – Quick Reference Guide**How Do I Print on Large Sheets? (90 Printer series)**

The printer output system has several adjustable components. When printing on large sheets of paper, it is important that you use the correct printer output configuration. The following diagram shows the adjustable parts of the printer output system:



The table on the next page gives the output system configuration required for various paper sizes.

Note the following:

- When using the main tray or roll feedback as source, make the necessary adjustments to the output system to enable output to be stacked.
- If the output tray already has prints stacked in it and you want to print from the roll feed, empty the output tray and adjust it as necessary before printing.

...continued on next page...

HP Designjet 30/90/130 Printer series – Quick Reference Guide

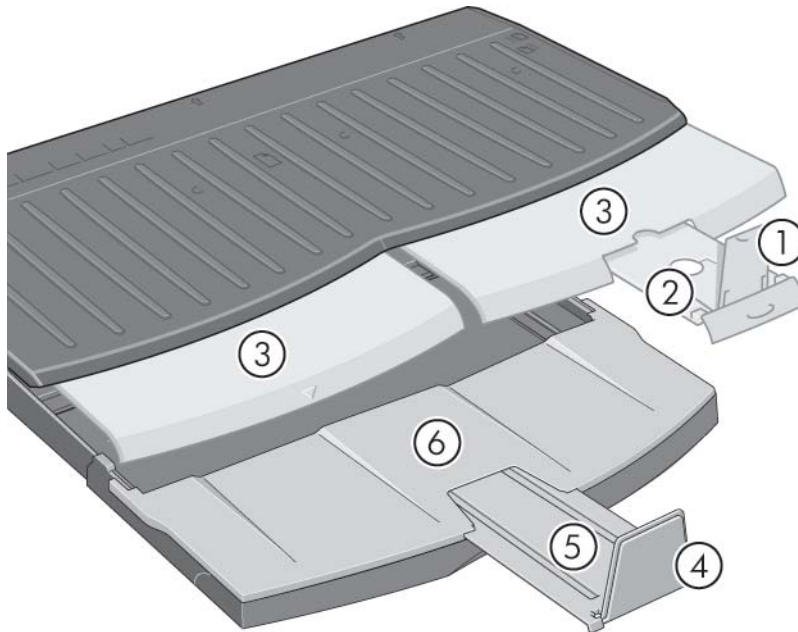
How Do I Print on Large Sheets? (90 Printer series) (continued)

English

Media											
Source	Destination	Size	Width	Length	1	2	3	4	5	6	
C-Size Tray	Output tray	A-Size	JIS B5	182mm	257mm	UP	Position A3, ...	Closed	DOWN	Closed	N/A
			ANSI A	8.5"	11"						
			ISO A4	210mm	297mm						
			ARCH A	9"	12"						
			DIN C4	229mm	324mm						
			ISO B4	250mm	353mm						
			LEGAL	8.5"	14"						
		JIS B4	257mm	364mm							
		B-Size	ISO A3	297mm	420mm	UP	Position A3, ...	Position A3, ...	DOWN	Closed	N/A
			ANSI B	11"	17"	UP	Position B4, ...	Position A3, ...	DOWN	Closed	N/A
			ARCH B	12"	18"						
			DIN C3	324mm	458mm						
			ANSI B+	13"	19"						
		C-Size	ISO B3	353mm	500mm	DOWN	Closed	Closed	UP	Position 17x22	Open
			JIS B3	264mm	515mm	DOWN	Closed	Closed	UP	Position A2, ...	Open
ANSI C	17"		22"								
ISO A2	420mm		594mm								
ARCH C	18"		24"								
Front manual feed	Output tray	C-Size	DIN C2	458mm	648mm	DOWN	Closed	Position Roll icon	DOWN	Closed	N/A
Rear manual feed	Output tray	A-Size	ISO A6	105mm	148mm	UP	Position A6, ...	Closed	DOWN	Closed	N/A
			ISO A5	148mm	210mm		Position A5, ...				
		C-Size	DIN C2	458mm	648mm	DOWN	Closed	Position Roll icon	DOWN	Closed	N/A
Roll accessory	Output tray	Custom	Up to 18"		DOWN	Closed	Position Roll icon	DOWN	Closed	N/A	

HP Designjet 30/90/130 Printer series – Quick Reference Guide**How Do I Print on Large Sheets? (130 Printer series)**

The printer output system has several adjustable components. When printing on large sheets of paper, it is important that you use the correct printer output configuration. The following diagram shows the adjustable parts of the printer output system:



The table on the next page gives the output system configuration required for various paper sizes.

Note the following:

- When using the main tray or roll feedback as source, make the necessary adjustments to the output system to enable output to be stacked.
- If the output tray already has prints stacked in it and you want to print from the roll feed, empty the output tray and adjust it as necessary before printing.

...continued on next page...

HP Designjet 30/90/130 Printer series – Quick Reference Guide

How Do I Print on Large Sheets? (130 Printer series) (continued)

English

Media											
Source	Destination	Size	Width	Length	1	2	3	4	5	6	
C-Size Tray	Output tray	A-Size	JIS B5	182mm	257mm	UP	Position A3, ...	Closed	DOWN	Closed	N/A
			ANSI A	8.5"	11"						
			ISO A4	210mm	297mm						
			ARCH A	9"	12"						
			DIN C4	229mm	324mm						
			ISO B4	250mm	353mm						
			LEGAL	8.5"	14"						
		JIS B4	257mm	364mm							
		B-Size	ISO A3	297mm	420mm	UP	Position A3, ...	Position A3, ...	DOWN	Closed	N/A
			ANSI B	11"	17"	UP	Position B4, ...	Position A3, ...	DOWN	Closed	N/A
			ARCH B	12"	18"						
			DIN C3	324mm	458mm						
			ANSI B+	13"	19"						
		C-Size	ISO B3	353mm	500mm	DOWN	Closed	Closed	UP	Position 17x22	Open
			JIS B3	264mm	515mm	DOWN	Closed	Closed	UP	Position A2, ...	Open
ANSI C	17"		22"								
ISO A2	420mm		594mm								
ARCH C	18"		24"								
Manual feed, front or rear	Output bin	D-Size	DIN C2	458mm	648mm	DOWN	Closed	Position Roll icon	DOWN	Closed	N/A
			ISO B2	500mm	707mm						
			JIS B2	515mm	728mm						
			ISO A1	594mm	841mm						
			ANSI D	22"	34"						
			ARCH D	24"	36"						
Roll accessory	Output bin	Custom	Up to 24"		DOWN	Closed	Position Roll icon	DOWN	Closed	N/A	

HP Designjet 30/90/130 Printer series – Quick Reference Guide

How Do I Select Paper Type?

You may need to select the correct paper type in up to three different places:

- The printer driver (when printing)
- The System Maintenance utility (when performing color calibration)
- Your application program (when using ICC profile color management)

The following table shows the names that you should select in each context.

These names are correct for version 2.7 of the printer software for Mac OS and version 6.03.00 of the printer software for Windows.

Driver Paper Type First Level	Commercial name	System Maintenance Paper Type	ICC Profiles
Photo paper	HP Premium Plus Photo and Proofing Gloss	PhotoGloss/ Semi-Gloss/ Proofing Gloss Paper	HP DJ 30/90/130 - Photo Gloss - Drv HP DJ 30/90/130 - Photo Gloss - Max Detail - Drv
	HP Premium Plus Photo Satin	Photo Satin	HP DJ 30/90/130 - Photo Satin - Drv HP DJ 30/90/130 - Photo Satin - Max Detail - Drv
	HP Photo Matte	Photo Matte	HP DJ 30/90/130 - Photo Matte - Drv
	Photo Gloss	PhotoGloss/ Semi-Gloss/ Proofing Gloss Paper	HP DJ 30/90/130 - Photo Gloss - Drv HP DJ 30/90/130 - Photo Gloss - Max Detail - Drv
	Photo Semi-Gloss	PhotoGloss/ Semi-Gloss/ Proofing Gloss Paper	HP DJ 30/90/130 - Photo Semi-Gloss - Drv HP DJ 30/90/130 - Photo Semi-Gloss - Max Detail - Drv
	Photo Satin	Photo Satin	HP DJ 30/90/130 - Photo Satin - Drv HP DJ 30/90/130 - Photo Satin - Max Detail - Drv
	Photo Matte	Photo Matte	HP DJ 30/90/130 - Photo Matte - Drv

HP Designjet 30/90/130 Printer series – Quick Reference Guide

How Do I Select Paper Type? (continued)

English

Driver Paper Type First Level	Commercial name	System Maintenance Paper Type	ICC Profiles
Proofing paper	HP Premium Plus Photo and Proofing Gloss	PhotoGloss/ Semi-Gloss/ Proofing Gloss Paper	HP DJ 30/90/130 - Proofing Gloss - Drv HP DJ 30/90/130 - Proofing Gloss - Max Detail - Drv
	HP Proofing Semi-Gloss	PhotoGloss/ Semi-Gloss/ Proofing Gloss Paper	HP DJ 30/90/130 - Proofing SemiGloss - Drv
	HP Proofing Matte	HeavyWeight Coated/Proofing Matte	HP DJ 30/90/130 - Proofing Matte - Drv
	Proofing Gloss	PhotoGloss/ Semi-Gloss/ Proofing Gloss Paper	HP DJ 30/90/130 - Proofing Gloss - Drv HP DJ 30/90/130 - Proofing Gloss - Max Detail - Drv
	Proofing Semi-Gloss	PhotoGloss/ Semi-Gloss/ Proofing Gloss Paper	HP DJ 30/90/130 - Proofing SemiGloss - Drv
	Proofing Matte	HeavyWeight Coated/Proofing Matte	HP Dj 30/90/130 - Proofing Matte - Drv
Brochure paper	Brochure Gloss	None	HP DJ 30/90/130 - Brochure gloss - Drv
	Brochure Matte	HeavyWeight Coated/Proofing Matte	HP DJ 30/90/130 - Brochure matte - Drv
Plain paper	None	No calibration	HP DJ 30/90/130 - Plain paper - Drv
Bright White Bond paper	None	No calibration	HP DJ 30/90/130 - Plain paper - Drv
Coated paper	None	No calibration	HP DJ 30/90/130 - Coated - Drv
Heavyweight coated paper	None	No calibration	HP DJ 30/90/130 - Heavy Coated - Drv

HP Designjet 30/90/130 Printer series – Quick Reference Guide**How Do I Replace Ink Cartridges?**

If one of the ink cartridge icons on the front panel (see page 63) is flashing, the corresponding ink cartridge needs to be replaced.

1. Open the front hinged flap at the right of the printer.
2. For each ink cartridge that needs to be replaced:
 - Gripping it by its shorter top edges, lift the ink cartridge vertically up and out of the printer.
 - Lower the new ink cartridge into its slot until it clicks into place and is secure.

Repeat this for each ink cartridge that is to be replaced.

3. Close the hinged flap.
4. Check that the ink cartridge icon on the front panel is no longer flashing. The ink cartridge has been replaced successfully.



How Do I Clean a Printhead?

If a printhead fails or needs attention, the corresponding icon on the front panel flashes.

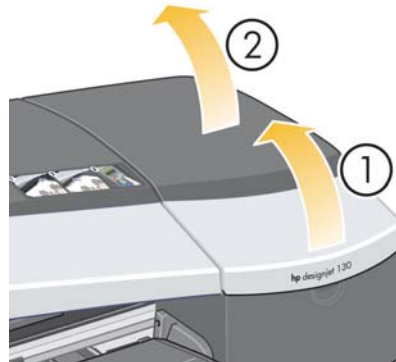


Make sure the printhead is correctly seated. If this is not the problem, the most likely cause of failure is that the printhead contacts need to be cleaned. You will need the following cleaning materials:

- Clean, soft, lint-free material that will not come apart or leave fibres when damp (a coffee filter, for example)
- Distilled or filtered water
- Paper towels

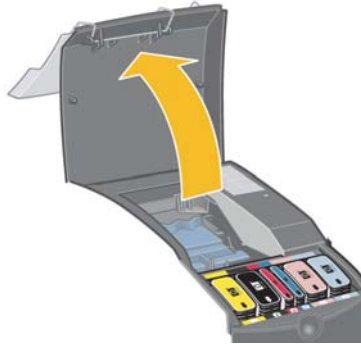
Make sure the printer is powered on, then do the following:

1. Open the front hinged flap at the right of the printer.
2. Open the second (back) part of the flap and lift it back fully. The print carriage will move to the left and then back to the right. *Wait for it to stop.* When the carriage has stopped moving, unplug the power cable from the printer.

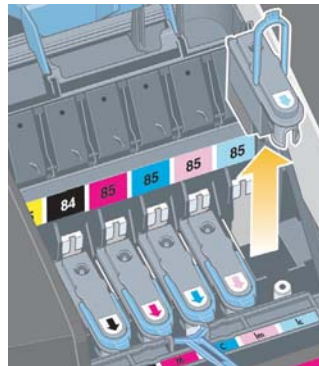


HP Designjet 30/90/130 Printer series – Quick Reference Guide**How Do I Clean a Printhead? (continued)**

3. Pull the printhead cover up and towards you, so that the hook at the front unlatches itself, and then push the whole cover back, so that the printheads are exposed.



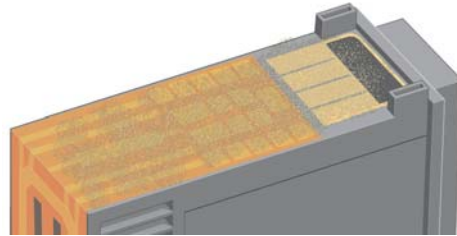
4. Remove the failed printhead by lifting the small handle at the top front and using it to pull the printhead vertically up and out of the printer.



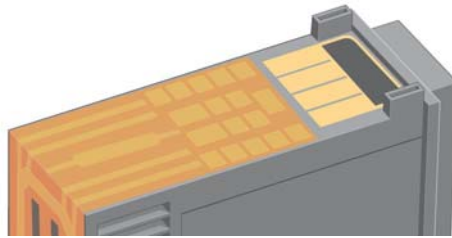
5. Ensure that no tape is covering the printhead contacts. If the tape is present, remove it.

How Do I Clean a Printhead? (continued)

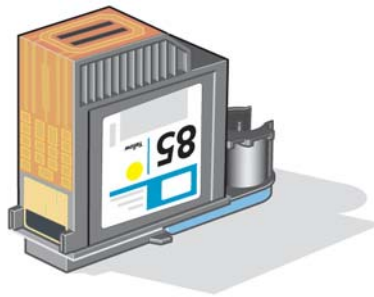
6. Gently wipe the printhead contacts with a clean, soft, lint-free cloth.
7. If the printhead contacts are still dirty....



...slightly moisten the cloth with distilled water and continue softly wiping the contacts until they are clean.



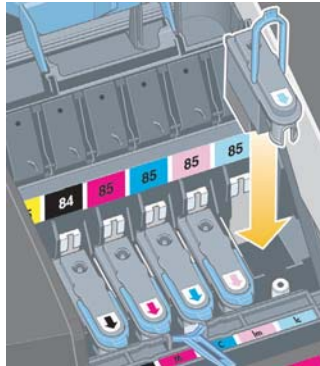
8. Place the printhead on a paper towel, the nozzle plate facing up, and leave it to dry for at least five minutes.



9. While the printhead is drying, clean the contacts inside the carriage in the same way.

HP Designjet 30/90/130 Printer series – Quick Reference Guide**How Do I Clean a Printhead? (continued)**

10. When both the printhead and the contacts inside the carriage are dry, re-insert the printhead by lowering it into place and return the small handle to its lower position. Press down firmly and evenly on both the front and the back of the printhead to make sure it is correctly seated.



11. Pull the printhead cover towards you, ensuring that the hook at its front edge latches onto the tab, and then push it away from you to close the cover.
12. Plug in the printer power cable.
13. Close the rear part and then the front part of the outer flap.
14. We strongly recommend that you perform some internal calibrations on the printhead, as well as an alignment check, to ensure the best quality printing. See “How Do I Perform a Color Calibration?” on page 3 and “How Do I Align Printheads?” on page 35.

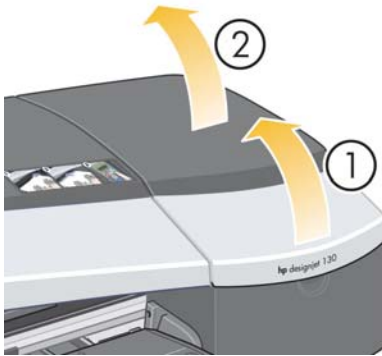
There must be paper in the tray during alignment (you can use your least expensive paper). Pre-alignment calibrations may take some time, especially if multiple printheads have been removed and re-inserted. Check that the alignment print has a tick on it. The tick should be cyan.

15. Check that the printhead icon on the front panel is no longer flashing. The printhead has been re-inserted successfully.

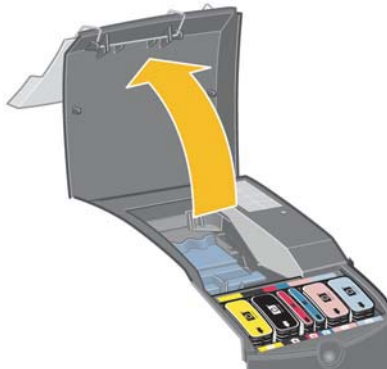
How Do I Replace Printheads?

If one of the printhead icons on the front panel (see page 63) is flashing, the corresponding printhead has failed or needs attention. Check that the printhead is properly seated, and clean the printhead contacts (see page 27). If the problem persists, replace the printhead.

1. Open the front hinged flap at the right of the printer.
2. Open the second (back) part of the flap and lift it back fully. The print carriage will move to the left and then back to the right. *Wait for it to stop.*



3. Pull the printhead cover up and towards you, so that the hook at the front unlatches itself, and then push the whole cover back, so that the printheads are exposed.

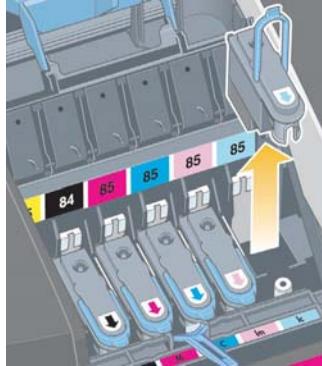


4. For each printhead that needs to be replaced:

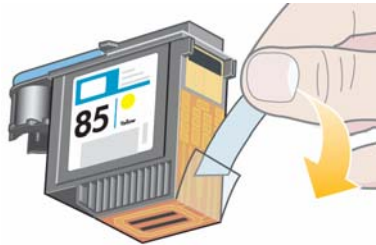
HP Designjet 30/90/130 Printer series – Quick Reference Guide

How Do I Replace Printheads? (continued)

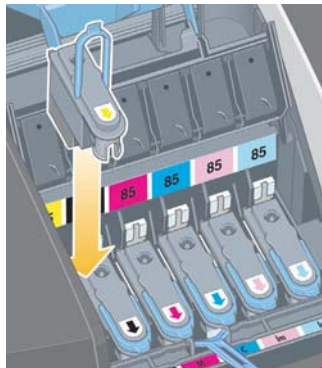
- Lift the small handle at the top front and use it to pull the printhead vertically up and out of the printer.



- Take the new printhead and remove the tape that protects its electrical contacts and ink nozzles.



- Lower the new printhead into place and return the small handle to its lower position.



How Do I Replace Printheads? (continued)

- Push the printhead gently into place, so that it is secure.



Repeat this for each printhead that is to be replaced.

5. When you have replaced the printheads as required, pull the printhead cover towards you, ensuring that the hook at its front edge latches onto the tab, and then push it away from you to close the cover.



6. Finally close the rear part and then the front part of the outer flap. Note that after closing the flap, the printer will automatically perform some internal calibrations on the printhead, and then on the alignment. There must be paper in the tray during alignment (you can use your least expensive paper). Pre-alignment calibrations may take some time, especially if multiple printheads are replaced.

HP Designjet 30/90/130 Printer series – Quick Reference Guide**How Do I Replace Printheads? (continued)**

7. Check that the printhead icon on the front panel is no longer flashing. The printhead has been replaced successfully.

Perform a color calibration, as described in “How Do I Perform a Color Calibration?” on page 3.

For more detailed instructions for replacing a printhead, see the topic *How do I replace printheads?* on the *HP Designjet Driver and Documentation CD*.

How Do I Align Printheads?

If the printheads are not correctly aligned, poor quality printing will result.

To align printheads, you need to use the HP Designjet System Maintenance utility. This is normally installed when you install the software (printer driver) for your printer from the *HP Designjet Driver and Documentation* CD.

For some functions, the HP Designjet System Maintenance utility requires an Internet connection, but you do not need this connection to perform printhead alignment.

See “Tell Me About HP Designjet System Maintenance” on page 67.

To align the printheads:

1. Make sure that you have at least 5 sheets of A4 or Letter paper in the input tray.
2. Start the HP Designjet System Maintenance. To do this, refer to “How Do I Use HP Designjet System Maintenance?” on page 40.
3. Select *Maintain printheads*, then *Align printheads*.
4. The printer will print a printhead alignment sheet. Check that the sheet printed has a tick on it. The tick should be cyan. If this is not the case, repeat the process.

HP Designjet 30/90/130 Printer series – Quick Reference Guide

How Do I Access the Printer Driver?

You can **access the Mac printer driver** as follows:

1. Open the image to be printed in the application you used to create or modify the image.
2. Choose Page Setup from the File menu and select the page options you want.
3. Choose Print from the File menu and select the print options you want.

For details of how to use the Mac printer driver, see the *HP Designjet Driver and Documentation CD*.

You can **access the Windows printer driver** using the appropriate procedure below for your version of Windows.

Windows XP

1. Click the *Start* button in the Windows task-bar.
2. Select *Settings* and then *Printers & Faxes*.
3. Right-click the icon that refers to your printer and select *Printing Preferences*.

Windows 2000

1. Click the *Start* button in the Windows task-bar.
2. Select *Settings* and then *Printers*.
3. Right-click the icon that refers to your printer and select *Printing Preferences*.

Windows 98 and Windows ME

1. Click the *Start* button in the Windows task-bar.
2. Select *Settings* and then *Printers*.
3. Right-click the icon that refers to your printer and select *Properties*.

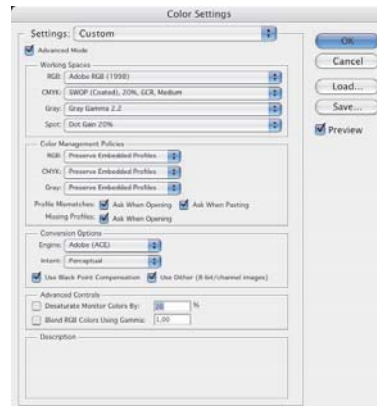
For details of how to use the Windows printer driver, see the *HP Designjet Driver and Documentation CD*.

How Do I Print from Adobe Photoshop?

These recommendations will help you to get the best results when using Adobe Photoshop with your printer. Before starting, ensure that the paper you intend to use has been color calibrated on your printer for the print mode you intend to use (see “How Do I Perform a Color Calibration?” on page 3).

Configuring Photoshop’s color settings

1. Open Photoshop.
2. Under Windows, go to *Edit > Color Settings*.
Under Mac OS X, go to *Photoshop > Color Settings*.
3. Make sure the *Advanced Mode* checkbox is checked.
4. Select *AdobeRGB 1998* as the default working space.
5. In the *Color Management Policies* section, select *Preserve Embedded Profiles* and check the *Profile Mismatches* and *Missing Profiles* checkboxes.
6. Select *Perceptual* as the rendering intent, then click *OK*.



Opening the RGB image with Photoshop

If the image has an embedded ICC profile, select *Accept*. Otherwise, select *Assign working RGB: AdobeRGB*.

Soft proofing (optional)

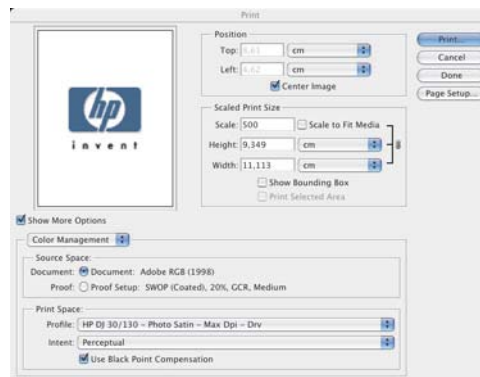
If you have an HP Designjet 90gp or 130gp (available only in Europe, Africa, and the Middle East), or if you have a monitor calibration device, you can use soft-proofing to see on the screen the colors that you will get from the printer, which will give you early warning of any color problems. Refer to your Photoshop documentation for more information.

HP Designjet 30/90/130 Printer series – Quick Reference Guide

How Do I Print from Adobe Photoshop? (continued)

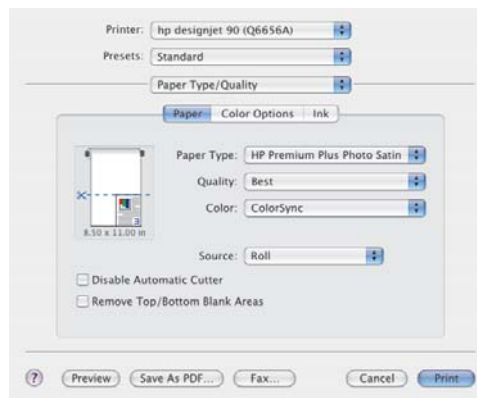
Printing your image

1. Go to *File > Print with Preview* (or *Print Options* in earlier versions of Photoshop) and select *Show more options*.
2. Select *Color Management* from the drop-down menu. In the area under *Source Space*, select *Document*.
3. In the *Profile* drop-down menu, in the area under *Print Space*, select the profile that corresponds to the paper type and print quality that you intend to use. See “How Do I Select Paper Type?” on page 24.
4. In the *Intent* drop-down menu, in the area under *Print Space*, select *Perpetual*.
5. Next you must choose the printer’s driver settings, which vary according to the operating system you use. The following two sections explain what to choose for Mac OS and Windows respectively.



Mac OS driver: access the printer options

1. Select *Print*.
2. Select your printer.
3. Go to the *Paper Type/Quality* tab.
4. In the *Paper Type* drop-down menu, select the same paper type for which you have already selected a print space profile. See “How Do I Select Paper Type?” on page 24.



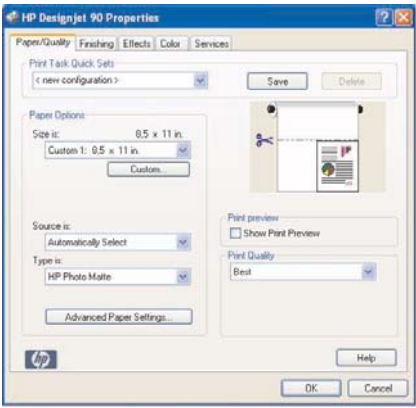
How Do I Print from Adobe Photoshop? (continued)

5. In the *Quality* menu, select the same print quality for which you have already selected a print space profile.
6. In *Color*, select *Application managed colors*.

NOTE: If you are using Adobe Photoshop CS.2 on Mac OS X.4, some color settings are grayed out. The driver aligns with Photoshop "Print with Preview" and lets you select only the appropriate color settings for the printing workflow, therefore allowing you to follow the correct color path between the application and the driver.
7. Select *Print*.

Windows driver: access the printer options

1. Select *Print*.
2. Select your printer.
3. Select *Properties*.
4. Go to the *Paper/Quality* tab.
5. In *Paper Type*, select the same paper type and print quality for which you have already selected a print space profile. See "How Do I Select Paper Type?" on page 24.
6. Select the *Color* tab.
7. In *Color Options*, select *Manual*.
8. In *Color Matching Method*, select *Managed by Application*.



HP Designjet 30/90/130 Printer series – Quick Reference Guide

How Do I Use HP Designjet System Maintenance?

To use the HP Designjet System Maintenance utility, follow the procedure below:

1. Run the HP Designjet System Maintenance, as described below for your particular operating system:
 - *For Windows:* Go into the printer driver as described in “How Do I Access the Printer Driver?” on page 36. Click the *Services* tab of the driver and then click the *Status of my Printer* button.
 - *For Mac OS 9 and X:* Double-click the HP Designjet System Maintenance icon on your desktop. For Mac OS X, you can also start the utility from Print Center or Printer Setup Utility: select your printer and then click on *Configure*.

If the *Status of my Printer* button is absent or dimmed (Windows), or there is no icon on your desktop (Mac), this means that HP Designjet System Maintenance is not installed on your computer. This is normal if your printer is managed by a network printer server (if your printer appears in your Printers list as, for example, HP130 on YOUR_PRINTER_SERVER). HP Designjet System Maintenance is normally installed on your printer server and not on your computer. However, if the printer is managed by your computer and the utility is not installed, you must install it by inserting your *HP Designjet Driver and Documentation* CD (for your type of computer) and following the instructions in the CD booklet.

2. If you have an Internet connection, you have access to a number of online services that help you to solve printer problems and give access to downloads of firmware upgrades for your printer. Refer to “Tell Me About HP Designjet System Maintenance” on page 67.

If you do not have an Internet connection, a number of options are available to you, including *Calibrate color*, *Calibrate paper feed* (130 only), *Maintain printheads* and *Check image quality*. Refer to “Tell Me About HP Designjet System Maintenance” on page 67.

How Do I Print the Printer Information Pages?

Before you begin, make sure there are at least three sheets of blank paper in the input tray (A4- or Letter-size is sufficient).

While holding the *Power* key down, press the *OK* key (upper right key) four times. Three pages with information about the printer and its peripherals will be printed.

How Do I Test My Printer?

When you have set up your printer and periodically after maintenance, you may want to do a test print to check the printer configuration is working and that the print quality is good.

To do a test print...

1. Make sure that you have a blank sheet of A4 or Letter paper, or a roll of paper at hand.
2. Run the HP Designjet System Maintenance utility as described in “How Do I Use HP Designjet System Maintenance?” on page 40.
3. Select *Check image quality*.
4. Follow the on-screen instructions.

HP Designjet 30/90/130 Printer series – Quick Reference Guide**The Problem is the Input Tray Will Not Fit Properly**

If you have problems inserting the input tray securely, try inserting and removing the tray two or three times. Normally this should resolve the problem. If not, check that the latches are correctly positioned.

Note that the illustration below shows the HP Designjet 90&130 Printer series.



Inside the slot where the tray goes, there are three spring-loaded latches. If they are not in the correct position, the tray does not fit properly.

Make sure that both latches are forward. If necessary, pull them towards you.

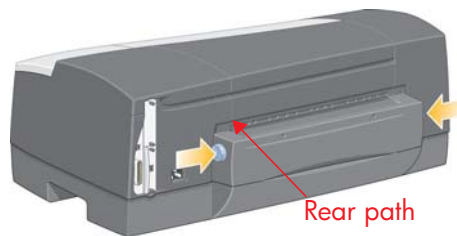
When you insert the tray, you should hear a click as the latches are pushed back; when you remove the tray, the latches click as they move forward.

The Problem is a Sheet of Paper is Jammed (30 Printer series)

1. Press the OK key (the upper right key) on the printer's front panel.

If this does not solve the problem...

2. Turn off the printer.
3. Remove all paper from the tray. Pull out any paper that is visibly stuck.
4. Lift the top cover and pull out any paper that may be stuck. Be careful when you lift the cover not to damage or disturb any of the tubes or other internal parts of the printer.
5. Remove the rear path carefully by pressing the buttons on each of its sides and pulling it *straight* out. *If you don't pull it straight out, you may damage the paper sensor.*



Removing the rear path gives access to the inside of the printer from the rear.

Pull out paper that may be stuck inside or which is accessible from the rear. Replace the rear path and make sure it fits securely.

6. Turn on the printer. If there is a degradation in print quality after you have cleared the paper jam, clean and align the printheads. Refer to "How Do I Align Printheads?" on page 35.

HP Designjet 30/90/130 Printer series – Quick Reference Guide

The Problem is a Sheet of Paper is Jammed (90/130 Printer series)

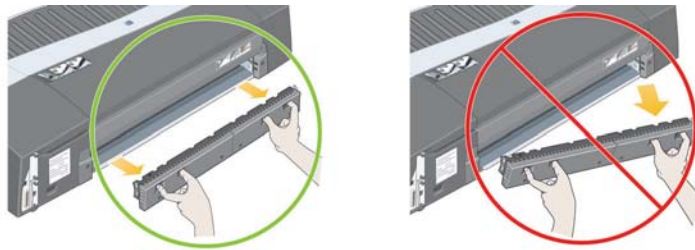
1. Try pressing the OK key (the upper right key) on the printer's front panel.

If this doesn't solve the problem...

2. Turn off the printer.
3. Remove all paper from the tray. Pull out any paper that is visibly stuck.
4. Lift the top cover and pull out any paper that may be stuck.

Be careful when you lift the cover not to damage or disturb any of the tubes or other internal parts of the printer.

5. If there is a roll of paper at the rear of the printer, remove it from its supports.
6. Remove the rear path by carefully by pressing the buttons on each of its sides and pulling it *straight out*. *Not pulling it straight out may damage the paper sensor.* Note that the illustrations below show the rear of the printer without the Automatic Roll Feed installed.



Removing the rear path gives access to the inside of the printer from the rear.

Pull out paper that may be stuck inside and is accessible from the rear.
Replace the rear path and make sure it fits securely.

7. Turn on the printer.

If there is a degradation in print quality after you have cleared the paper jam, clean and align the printheads. Refer to "How Do I Align Printheads?" on page 35.

The Problem is a Roll of Paper is Jammed

This section is only relevant if a roll feed is installed on your printer.

1. Turn off the printer.
2. Check in all places where the roll could be trapped:
 - Remove the front paper tray. This will allow you to see inside the printer through a slot in the front. Release and remove any trapped paper that is visibly stuck.
 - Lift the top cover, being careful not to damage or disturb any of the tubes or other internal parts of the printer. If there is any paper trapped in the wheels inside the printer, release and remove the paper.
 - Unload the roll and remove it from its supports. If you are using the 90 Printer series, see “How Do I Unload a Roll of Paper? (90 Printer series)” on page 15. If you are using the 130 Printer series, see “How Do I Unload a Roll of Paper? (130 Printer series)” on page 18.
 - Remove the rear path by pressing the buttons on each of its sides and pulling it straight out. If you don't pull it straight out, you may damage the paper sensor. If there is any paper trapped in the rollers inside the printer, release and remove the paper.
3. Once the paper jam has been cleared, replace any parts of the printer (paper tray, top cover, rear path) that you have removed/opened, making sure they fit securely.
4. Turn on the printer.
5. Before reloading the paper roll, you must trim the leading edge of the roll such that this edge is perfectly straight and at right-angles to the sides of the roll.

If there is a degradation in print quality after you have cleared the paper jam, clean and align the printheads. Refer to “How Do I Align Printheads?” on page 35.

HP Designjet 30/90/130 Printer series – Quick Reference Guide**The Problem is there is a Printhead Failure**

If a printhead fails or needs attention, the corresponding printhead icon on the front panel flashes.

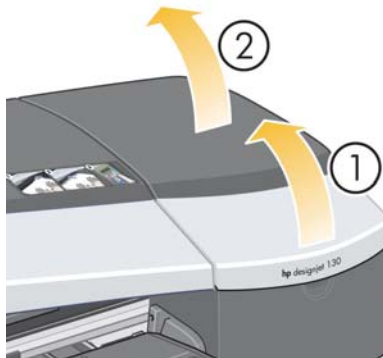


Make sure the printhead is correctly seated. If this is not the problem, the most likely cause of failure is that the printhead contacts need to be cleaned. You will need the following cleaning materials:

- Clean, soft, lint-free material that will not come apart or leave fibres when damp (a coffee filter, for example)
- Distilled or filtered water
- Paper towels

Make sure the printer is powered on, then do the following:

1. Open the front hinged flap at the right of the printer.
2. Open the second (back) part of the flap and lift it back fully. The print carriage will move to the left and then back to the right. *Wait for it to stop.* When the carriage has stopped moving, unplug the power cable from the printer.



The Problem is there is a Printhead Failure (continued)

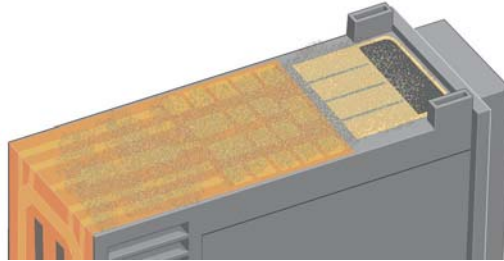
3. Pull the printhead cover up and towards you, so that the hook at the front unlatches itself, and then push the whole cover back so that the printheads are exposed.



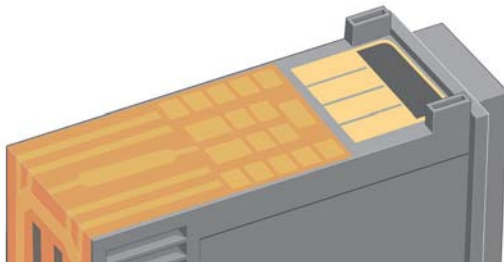
4. Remove the failed printhead by lifting the small handle at the top front and using it to pull the printhead vertically up and out of the printer.
5. Ensure that no tape is covering the printhead contacts.
6. Gently wipe the printhead contacts with a clean, soft, lint-free cloth.

HP Designjet 30/90/130 Printer series – Quick Reference Guide**The Problem is there is a Printhead Failure (continued)**

7. If the printhead contacts are still dirty...



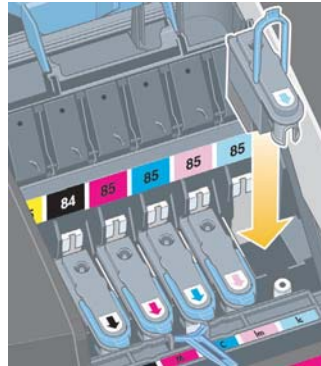
...slightly moisten the cloth with distilled water and continue wiping the contacts until they are clean.



8. Place the printhead on a paper towel and leave it to dry for at least five minutes.
9. While the printhead is drying, clean the contacts inside the carriage in the same way.

The Problem is there is a Printhead Failure (continued)

10. When both the printhead and the contacts inside the carriage are dry, re-insert the printhead by lowering it into place and return the small handle to its lower position. Press down firmly and evenly on both the front and the back of the printhead to make sure it is correctly seated.



11. Push the printhead gently into place, so that it is secure.
12. Pull the printhead cover towards you, ensuring that the hook at its front edge latches onto the tab, and then push it away from you to close the cover.
13. Plug in the printer power cable.
14. Close the rear part and then the front part of the outer flap. Note that after closing the flap, the printer will automatically perform some internal calibrations on the printhead, and then an alignment check. There must be paper in the tray during alignment (you can use your least expensive paper). Pre-alignment calibrations may take some time, especially if multiple printheads have been removed and reinserted. Check that the alignment print has a tick on it. The tick should be cyan.
15. Check that the printhead icon on the front panel is no longer flashing. The printhead has been replaced successfully.

If the problem persists, replace the printhead, as described in "How Do I Clean a Printhead?" on page 27.

The Problem is Bad Color

If the color of your prints is not what you expect...

1. Check that the printer has been color calibrated for the paper type and print quality settings you are using. See "How Do I Perform a Color Calibration?" on page 3.
2. Check the color options in the Print dialog. See "How Do I Print from Adobe Photoshop?" on page 37 to see an example in a specific application.
3. See the *HP Designjet Driver and Documentation* CD for more information about getting the color you want for a print.

To obtain the best results from your printer, it is important that you use only HP-approved inks and paper.

The Problem is Poor Print Quality

If the quality of your prints degrades...

1. Check whether you need to clean the printer. If this is the case, see the *HP Designjet Driver and Documentation CD* for instructions.
2. See the *HP Designjet Driver and Documentation CD* for more information about other reasons for a decline in print quality.

To obtain the best results from your printer, it is important that you use only HP-approved inks and paper.

HP Designjet 30/90/130 Printer series – Quick Reference Guide

The Problem is a Partial or Blank Image is Printed

If none or only a part of your print appears, there are two things to check:

- Is the printer properly connected to the network? If the printer is not connected properly, or if the network is busy, you might not get all of your print.
- Is my print job valid? If your print job is not valid, you have instructed the printer to do something that is not possible.

Checking network connectivity

First check that the printer and any network cables are securely connected to the printer. If you are using parallel cable, ensure that it is also firmly connected to the computer and is IEEE 1284 compatible.

Check bi-directional communication or printer port sharing, according to your type of connection:

- **USB:** If you are sharing the USB port with other devices, there may be a conflict between the printer and other devices such as zip drives or scanners. Therefore, stop sharing the USB port with other devices.
- **Parallel:** Disable bi-directional communication or stop sharing the parallel port with other devices.
- **Network:** Make sure that you are using a 100 Mbps network. If your network is only working at 10 Mbps and there is heavy traffic on the network, communication between your computer and your printer may be halted.

Ping the printer to make sure that it is correctly connected:

- On Windows, choose *Run...* from the *Start* menu, then in the command window, type **ping** followed by the IP address of the printer. For example: **ping 192.10.17.193**.
- On Mac systems, click *Applications > Utilities > Network Utility*, open the *Ping* tab, and type the IP address of the printer.

Check that the ping command returns a message indicating that the printer is reachable. If it does not, check the network configuration is correct. Refer to the *HP Designjet Driver and Documentation CD* for details of how to do this.

The Problem is a Partial or Blank Image... (continued)

Checking your print job is valid

First check for any error messages from the print software or from the operating system that might explain why the print does not appear. Messages related to memory could indicate that the system does not have enough memory to print your image.

If you did not receive an error message, check the following:

- Is the image too large for the paper size selected? Request a larger paper size, or select the ZoomSmart (Windows and Mac OS 9 only) or scaling options to reduce the size of the image.
- Is the print quality (DPI) set too high? A large image with a high DPI might require more memory than the system or printer have available. Reduce the DPI.
- Are the selected color options valid? Check that the color options you selected are valid for the DPI and paper type you are using.
- Is the paper source valid? Do not select *Roll* unless your printer has a roll feed fitted.

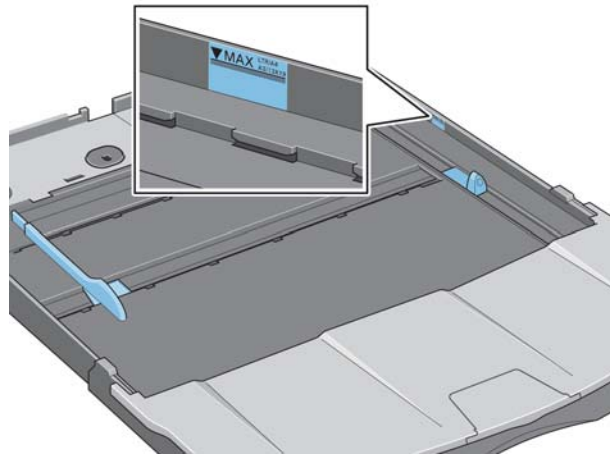
Is the print job compatible with the printer? On Mac OS X, check that you configured the printer by selecting *hp IP Printing*, not *IP Printing*. If you selected *IP Printing*, the printer is sent PostScript that it cannot understand, and your print job is ignored.

HP Designjet 30/90/130 Printer series – Quick Reference Guide**The Problem is Paper is Not Taken from the Input Tray**

If the printer does not take paper from the input tray...

1. Check that you specified the paper source correctly in your print job.
2. Check that there is paper in the tray and that it was loaded correctly:
 - If you are using the 30 Printer series, see “How Do I Load Paper in the Input Tray? (30 Printer series)” on page 8.
 - If you are using the 90/130 Printer series, see “How Do I Load Paper in the Input Tray? (90/130 Printer series)” on page 9.Try removing the paper from the tray and reloading it.
3. Make sure that there is not too much paper in the tray. You should not try to load more than 70 sheets of plain paper, 50 sheets of coated paper, or 20 sheets of glossy paper in the tray (for more details, see the *HP Designjet Driver and Documentation CD*).

Note that the upper limit marked in the tray of certain models of printer (see illustration below) is a theoretical maximum and may not apply to the paper you are using.



4. Check that the tray is supported by a flat and stable surface.
5. Paper loading failure can be caused by curled or damaged paper. Keep paper in its box when not using it to avoid this kind of problem.

The Problem is the Printer Rejects Paper from Front Path or Tray

If the printer rejects the paper...

- Check that the paper is correctly placed against the right side of the tray.
- When loading paper through the front path, always use the OK key to load the sheet before sending the job from the computer.
- Paper loading failure can be caused by curled or damaged paper. Keep paper in its box when not using it to avoid this kind of problem.
- When using the tray, check that the adjusters are set correctly.

HP Designjet 30/90/130 Printer series – Quick Reference Guide**The Problem is the Printer Takes Two or More Sheets At Once**

If the printer picks up two or more sheets together...

- Check that the paper was loaded correctly into the tray. See “How Do I Load Paper in the Input Tray? (90/130 Printer series)” on page 9. Try removing the paper from the tray and reloading it.
- Always fan the paper by its short edge before loading it into the tray.



- Check that the paper is not damaged. Keep paper in its box when not using it.

The Problem is Images are Low Resolution

If the resolution of a print is lower than you expected...

Some applications rasterize images at low resolution to show them on screen. This is because there is no need for an on-screen image to have a higher resolution than the screen itself. Before printing an image from an application that does this, rasterize the image at high resolution.

See your application documentation for information about whether on-screen images are low resolution, and for details of how to create a high resolution image for printing.

Note that, if you are using QuarkXpress, images with large file sizes will always be printed at low resolutions. This is because QuarkXpress manipulates Encapsulated PostScript using a preview of the image rather than the image itself, and prints using the preview, which is PostScript, rather than the raster version of the image.

HP Designjet 30/90/130 Printer series – Quick Reference Guide

The Problem is the Printer has Not Received the Job

If your printer seems to be ignoring the print job you sent to it...

1. Check that the printer is correctly connected to the computer.

If the connection is through a network, print the printer's information pages (hold down the *Power* key while pressing the *OK* key four times) and check in the TCP/IP section that the *Status* is shows as *Ready*. Make a note of the printer's IP address and subnet mask, which are in the same section.


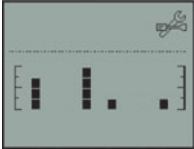


- If the IP address is 0.0.0.0 or 192.0.0.192, refer to the *HP Designjet Driver and Documentation* CD for information about how to configure the printer's IP address.
 - If the *Status* is *Ready*, you can use a Web browser to check the network connection between printer and computer. Simply type your printer's IP address into your browser where you would normally type a URL. If you get a reply from the printer, then the network connection between the printer and the computer is working.
 - If the *Status* is *Not Ready*, or if the printer does not reply to the Web browser, check that the printer's IP address and subnet mask belong to your network. If necessary, consult your network administrator.
2. Check that the printer queue is not paused.
 3. If you are using Mac OS X, make sure you selected *hp IP Printing* when you created your printer, and not *IP Printing*.

The Problem is a Flashing Tool Icon in the Front Panel

If there is a hardware error with your printer, this icon flashes on the front panel:

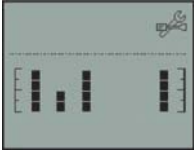

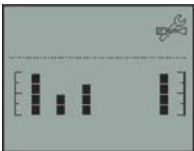
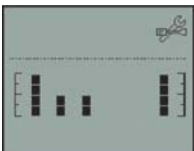


The precise error is indicated by a pattern of squares displayed in the ink cartridge icons on the front panel.

Pattern	Explanation	Solution
	Packaging not properly removed, or printhead carriage latch not properly closed, or cutter badly assembled Error code: 86:11	Turn off the printer. Ensure that all packaging is removed and that the printhead carriage latch is properly closed. Remove the rear path, lift the cover, and check that there is no paper jammed in the printer. Remove and reinstall the cutter according to the instructions in the <i>User's Guide</i> .
	The rear path has not been correctly installed Error code: 35:01	Remove the rear path, then reinstall it (see page 44). You may have to press the OK key to clear the error.
	General printer system failure Error code: 56:13	Unplug power cable, wait a few seconds, plug in power cable and turn printer on. If the problem persists, call HP support.
	General I/O failure Error code: 65:04	Unplug power cable, wait a few seconds. Connect alternative I/O if available, plug in power cable, turn printer on.

HP Designjet 30/90/130 Printer series – Quick Reference Guide

The Problem is a Flashing Tool Icon in the Front Panel (continued)

Pattern	Explanation	Solution
	USB I/O failure Error code: 64:04	Unplug power cable, wait a few seconds. Make sure your USB cable is functioning and less than 3 meters long; or connect alternative I/O. Plug in power cable, turn printer on.
	General Jetdirect failure Error code: 04:13	Unplug the power cable. Remove the HP Jetdirect print server. Make sure the cable is functioning and properly connected to printer and network. Insert the HP Jetdirect print server into the printer, plug in power cable and turn printer on. If the problem persists, please upgrade your HP Jetdirect firmware. Upgrades are available from http://www.hp.com/support/net_printing/
	Network I/O failure Error code: 63:04	Unplug power cable, wait a few seconds. Remove the network card and make sure the cable is functioning and properly connected to printer and network. Replace network card, plug in power cable, and turn printer on.
	Parallel I/O failure Error code: 62:04	Unplug power cable, wait a few seconds. Make sure your parallel cable is functioning and properly connected to printer and computer. The cable should be less than 5 meters long and should be 1284 compliant. Plug in power cable and turn printer on.

If you cannot easily solve the problem, run HP Designjet System Maintenance as described in “How Do I Use HP Designjet System Maintenance?” on page 40, and access the HP Instant Support Web site. This is an automated service in which your computer collects information from your printer about status and error conditions, and sends it to HP Web servers. These then display information in your Web browser about how to solve the problems detected.

Note that you must have an Internet connection to use HP Instant Support.

The Problem is Something Else (General Guidance)

- For details of how to troubleshoot problems, see the topic *The Problem Is...* on the *HP Designjet Driver and Documentation CD*.
- For help with completing the installation of your printer, see the topic *How do I complete assembly and set up?* on the *HP Designjet Driver and Documentation CD*.
- There are notes on clearing jammed paper on page 44 of this guide.

If your computer has all the HP Designjet software installed and an Internet connection, you can use the HP Designjet System Maintenance utility to help solve your problem. This allows you to connect to the HP Instant Support Web site which provides online problem diagnosis.

For more details of HP Designjet System Maintenance, refer to “Tell Me About HP Designjet System Maintenance” on page 67.

To use the utility, refer to “How Do I Use HP Designjet System Maintenance?” on page 40.

If HP Instant Support does not help to solve your problem, select *Troubleshoot* for further assistance.

For much more about troubleshooting printer problems, see the *HP Designjet Driver and Documentation CD*.



HP Designjet 30/90/130 Printer series – Quick Reference Guide

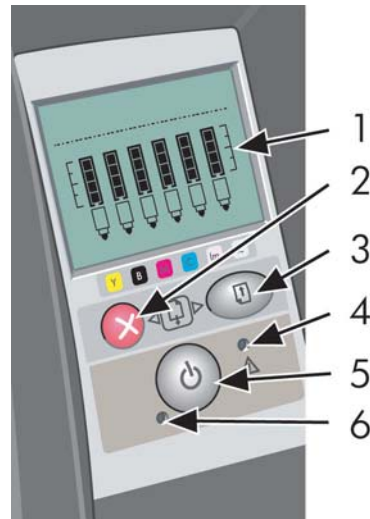
Tell Me About the Front Panel

The front panel (or control panel) of the printer gives information about the status of the printer, and also has three keys that let you control the actions of the printer.

Note that the illustration below shows the HP Designjet 90&130 Printer series.

The numbers correspond to the following elements:







1. Display area
2. *Cancel key*: Cancels the current operation.
3. *OK key*: Indicates to the printer:
 - that you have now **loaded paper** in the appropriate tray or feed, and the printer may start printing;
 - that you have **corrected a problem**—for example, you have removed jammed paper or replaced a failing printhead—and that the printer should continue with its activity—for example, it should resume printing;
 - that you want to **cut the roll paper**, if you have a roll feed with roll paper loaded.



4. *Attention light*: The Attention (yellow) light is on when the printer requires a user action—for example, to close the top cover.
5. *Power key*: Turns the power on and off.
6. *Power light*: The Power (green) light is on when the printer is switched on.




The printer's front panel has a display area that gives information about the printer. The sets of icons in the lower two-thirds of the display refer respectively to the Black, Cyan, Magenta, Yellow, Light Magenta and Light Cyan components of the ink system.

Tell Me About the Icons on the Front Panel





	<p>These six icons refer to the amount of ink in each of the ink cartridges. <i>Flashing:</i> Ink cartridge needs to be replaced. (In the case of a hardware error, ink level information is replaced with diagnostic information.)</p>
	<p>A flashing printhead icon (at the bottom) indicates a printhead failure or the printer cannot detect a printhead. <i>Action:</i> Check that the printhead was inserted correctly, and that the connections are clean. If necessary, replace the printhead.</p>
	<p><i>Flashing:</i> Printing, cancelling job, drying, powering off. The icon flickers if the top or side cover is open. <i>Action:</i> Close the top cover or close the side cover. <i>When off:</i> Printer is powered off, idle or awaiting user action.</p>
	<p><i>Flashing:</i> Out of paper or printer cannot load paper from source. <i>Action:</i> Check paper source, add paper and press OK key.</p>
	<p><i>Flashing:</i> Printer waiting. <i>Action:</i> Press the OK key. <i>When off:</i> Normal.</p>
	<p><i>Flashing:</i> The paper is misaligned and must be reloaded to print. <i>Action:</i> Reload the paper. <i>When off:</i> Normal.</p>

HP Designjet 30/90/130 Printer series – Quick Reference Guide

Tell Me About the Icons on the Front Panel (continued)

	<i>When on:</i> The roll is loaded. <i>Flashing:</i> The roll is empty or there is a paper jam. <i>Action:</i> Load roll. <i>When off:</i> There is no roll loaded.
	<i>Flashing:</i> Paper jammed, paper stalled or carriage stalled. <i>Action:</i> Clear the paper jam. See “The Problem Is Paper is Jammed”. <i>When off:</i> Normal.
	<i>Flashing:</i> Hardware error. <i>Action:</i> Note the pattern of squares displayed in the ink cartridge icons on the front panel and then press the Power key. If the problem persists, see “The Problem is a Flashing Tool Icon in the Front Panel” on page 59, or run the HP Designjet System Maintenance utility as described in “How Do I Use HP Designjet System Maintenance?” on page 40. <i>When off:</i> Normal.

If you have a roll installed, you might also see the following combinations of flashing icons:

Unload Roll: Unload the roll completely (you do not need to remove the spindle).	 
Roll Misaligned: Unload the roll of paper and reload it, paying special attention to its alignment.	 

Tell Me About Hardware Error Information

When the hardware error icon is flashing, the six icons that normally display the amount of ink in the ink cartridges are used instead to give more information about the hardware error.

When the hardware error icon flashes, make a note of the pattern of squares displayed in the ink cartridge icons, including any squares that are flashing, and then press the *Power* key.

See “The Problem is a Flashing Tool Icon in the Front Panel” on page 59.

If the problem persists, run the HP Designjet System Maintenance utility, as described in “How Do I Use HP Designjet System Maintenance?” on page 40. You will need the information from the ink cartridge icons that you noted previously.

HP Designjet 30/90/130 Printer series – Quick Reference Guide

Tell Me About Color Calibration

Color calibration improves color consistency between prints, and from one printer to another. The printer calibrates color by printing a 'calibration strip' and then scanning the strip with a built-in optical sensor. The printer will then calculate the color correction required, which is then applied to all subsequent prints.

After you have done the calibration, the calibration data is stored in your printer and is used the next time you print with the same type of paper loaded and the same print quality selected.

You must perform the color calibration procedure...

- When you install one or more new printheads
- When you use a new paper type/print quality combination for the first time
- Whenever environmental conditions change (for example, temperature or humidity)
- Whenever you note a deterioration in the quality of prints

Depending on the amount of use made of the printer, we recommend that you recalibrate it every two weeks or so.

To perform a color calibration, refer to "How Do I Perform a Color Calibration?" on page 3.

For downloadable tips and guidelines on color management specifically for the application you are using, go to the HP Designjet Online Web site and refer to the relevant technical documentation.

Tell Me About HP Designjet System Maintenance

The HP Designjet System Maintenance utility is normally installed when you install the software (printer driver) for your printer from the *HP Designjet Driver and Documentation* CD. The HP Designjet System Maintenance provides an easy to use interface for printer maintenance, color calibration and troubleshooting tasks.

To obtain full benefit from the utility, your computer should be connected to the Internet and be equipped with a Web browser (Internet Explorer 4 or higher).

Without an Internet connection, the available options include the following:

- Calibrate color
- Calibrate paper feed (130 only)
- Maintain printheads
- Check image quality

With an Internet connection, you have the following additional options:

- You can access the HP Instant Support Web site. This is an automated service in which your computer collects information from your printer about status and error conditions, and sends it to HP Web servers. These then display information in your Web browser about how to solve the problems detected.
- If HP Instant Support does not help you to solve your problem, you can select the *Troubleshoot* option to find other troubleshooting processes on the Web.
- You can obtain online upgrades for your printer's firmware. This brings you the latest printer functionality and bug fixes. For more details, refer to the *HP Designjet Driver and Documentation* CD.

To use the System Maintenance utility, refer to "How Do I Use HP Designjet System Maintenance?" on page 40.

HP Designjet 30/90/130 Printer series – Quick Reference Guide

English

Tell Me More About My Printer

For much more about...

- how to use your printer
- your printer's features (including Windows and Mac drivers and networking information)
- troubleshooting printer problems

...see the *HP Designjet Driver and Documentation CD*.

For additional information about the Windows driver, use the on-line help for the driver.



HP Limited Warranty Statement

HP Designjet 30/90/130 Printer series

HP Product	Duration of limited warranty
Printer and related HP hardware:	1 year (from the date of purchase by the customer)
Software:	90 days (from the date of purchase by the customer)
Black printhead:	Until the “end of warranty” date printed on the product is reached, or 530 cm ³ of HP ink have been cycled through the printhead, whichever occurs first
Other printheads:	Until the “end of warranty” date printed on the product is reached, or 200 cm ³ of HP ink have been cycled through the printhead, whichever occurs first
Ink cartridge:	Until the genuine HP ink is depleted as indicated by the printer, or the “end of warranty” date printed on the product is reached, whichever occurs first.

A: Extent of limited warranty

1. Hewlett-Packard (HP) warrants to the end-user customer that the HP products specified above will be free from defects in materials and workmanship for the duration specified above. Customer is responsible for maintaining proof of date of purchase.
2. For software products, HP’s limited warranty applies only to a failure to execute programming instructions. HP does not warrant that the operation of any product will be uninterrupted or error free.
3. HP’s limited warranty covers only those defects which arise as a result of appropriate use of the product, and does not apply to any:
 - a. Improper or inadequate maintenance or modification;
 - b. Software, interfacing, media, parts, or supplies not provided or supported by HP; or
 - c. Operation outside the product’s specifications.

Routine printer maintenance operations in the HP Designjet 30/90/130 Printer series, such as cleaning and preventive maintenance services (including parts contained in any preventive maintenance kit and HP service engineer visits), are not covered by HP’s limited warranty, but in some countries may be covered under a separate support contract.

HP Designjet 30/90/130 Printer series – Quick Reference Guide

4. For HP printer products, the use of a refilled or non-original HP consumable product (ink, printhead or ink cartridge) does not affect either the warranty to the customer or any HP support contract with the customer. However, if printer failure or damage is attributable to the use of a non-HP or refilled ink cartridge, HP will charge its standard time and materials charges to service the printer for the particular failure or damage.
5. If HP receives, during the applicable warranty period, notice of a defect in any software, media, or consumable product which is covered by HP's warranty, HP shall deliver another product to customer to replace the defective one. If HP receives, during the applicable warranty period, notice of a defect in any hardware product which is covered by HP's warranty, HP shall either repair or replace the defective product, at HP's option. A replacement part, in return for a defective one and remote part installation assistance, if needed, may be provided to the customer, at HP's option. HP may, at its option, waive the requirement for the customer to return the defective part.
6. If HP is unable to repair or replace, as applicable, a defective product which is covered by HP's warranty, HP shall, within a reasonable time after being notified of the defect, refund the purchase price for the product.
7. HP shall have no obligation to repair, replace, or refund until the customer returns the defective product to HP.
8. Any replacement product may be either new or like-new, provided that it has functionality at least equal to that of the product being replaced.
9. HP products may contain remanufactured parts or components equivalent to new in performance or may have been subject to incidental use.
10. HP's limited warranty is valid in any country or locality where HP has a support presence for this product and where HP has marketed this product. The level of warranty service you receive may vary according to local standards. HP will not alter form, fit or function of the product to make it operate in a country for which it was never intended to function for legal or regulatory reasons. Contracts for additional services may be available for any authorized HP service facility where the listed HP product is distributed by HP or an authorized importer.
11. Any applicable print cartridge warranty shall not apply to HP print cartridges that have been refilled, remanufactured, refurbished, misused, or tampered with in any way.

B. Limitations of warranty

1. TO THE EXTENT ALLOWED BY LOCAL LAW, NEITHER HP NOR ITS THIRD PARTY SUPPLIERS MAKE ANY OTHER WARRANTY OR CONDITION OF ANY KIND, WHETHER EXPRESS OR IMPLIED, WITH RESPECT TO THE HP PRODUCTS, AND SPECIFICALLY DISCLAIM THE IMPLIED WARRANTIES OR CONDITIONS OF MERCHANTABILITY, SATISFACTORY QUALITY, AND FITNESS FOR A PARTICULAR PURPOSE.

C. Limitations of liability

1. To the extent allowed by local law, the remedies provided in this Warranty Statement are the customer's sole and exclusive remedies.
2. TO THE EXTENT ALLOWED BY LOCAL LAW, EXCEPT FOR THE OBLIGATIONS SPECIFICALLY SET FORTH IN THIS WARRANTY STATEMENT, IN NO EVENT SHALL HP OR ITS THIRD PARTY SUPPLIERS BE LIABLE FOR DIRECT, INDIRECT, SPECIAL, INCIDENTAL, OR CONSEQUENTIAL DAMAGES, WHETHER BASED ON CONTRACT, TORT, OR ANY OTHER LEGAL THEORY AND WHETHER ADVISED OF THE POSSIBILITY OF SUCH DAMAGES.

D. Local law

1. This Warranty Statement gives the customer specific legal rights. The customer may also have other rights which vary from state to state in the United States, from province to province in Canada, and from country to country elsewhere in the world.
2. To the extent that this Warranty Statement is inconsistent with local law, this Warranty Statement shall be deemed modified to be consistent with such local law. Under such local law, certain disclaimers and limitations of this Warranty Statement may not apply to the customer. For example, some states in the United States, as well as some governments outside the United States (including provinces in Canada), may:
 - a. Preclude the disclaimers and limitations in this Warranty Statement from limiting the statutory rights of a consumer (e.g. the United Kingdom);
 - b. Otherwise restrict the ability of a manufacturer to enforce such disclaimers or limitations; or
 - c. Grant the customer additional warranty rights, specify the duration of implied warranties which the manufacturer cannot disclaim, or not allow limitations on the duration of implied warranties.

HP Designjet 30/90/130 Printer series – Quick Reference Guide

3. FOR CONSUMER TRANSACTIONS IN AUSTRALIA AND NEW ZEALAND, THE TERMS IN THIS WARRANTY STATEMENT, EXCEPT TO THE EXTENT LAWFULLY PERMITTED, DO NOT EXCLUDE, RESTRICT, OR MODIFY, AND ARE IN ADDITION TO, THE MANDATORY STATUTORY RIGHTS APPLICABLE TO THE SALE OF HP PRODUCTS TO SUCH CUSTOMERS.

Revision: February 10th, 2003

Regulatory Notices

You can obtain current Material Safety Data Sheets for the ink systems used in the printer by mailing a request to this address: Hewlett-Packard Customer Information Center, 19310 Pruneridge Avenue, Dept. MSDS, Cupertino, CA 95014, U.S.A.

There is also a Web page:

http://www.hp.com/hpinfo/community/environment/productinfo/psis_inkjet.htm

Regulatory Model Number

For regulatory identification purposes, your product is assigned a Regulatory Model Number. The Regulatory Model Number for your product is BCLAA-0301, BCLAA-0302 and BCLAA-0408, depending of your product size. This regulatory number should not be confused with the marketing name (such as HP Designjet printer) or product numbers (such as Z####X where Z and X are any single letter and # is any number).

Electro-magnetic compatibility (EMC)

FCC statements (U.S.A.)

The U.S. Federal Communications Commission (in 47 cfr15.105) has specified that the following notices be brought to the attention of users of this product.

Product identification numbers

HP Printers with identification numbers BCLAA-0301, BCLAA-0302, BCLAA-0408.

This device complies with part 15 of the FCC rules. Operation is subject to the following two conditions: (1) this device may not cause harmful interference, and (2) this device must accept any interference received, including interference that may cause undesired operation.

Shielded cables

Use of shielded data cables is required to comply with the Class B limits of Part 15 of the FCC Rules.

Caution: Pursuant to Part 15.21 of the FCC Rules, any changes or modifications to this equipment not expressly approved by the Hewlett-Packard Company may cause harmful interference and void the FCC authorization to operate this equipment.

Note: This equipment has been tested and found to comply with the limits for a Class B digital device, pursuant to part 15 of the FCC Rules. These limits are designed to provide reasonable protection against harmful interference in a residential installation. This equipment generates, uses, and can radiate radio frequency energy and, if not installed and used in accordance with the instructions, may cause harmful interference to radio communications.

HP Designjet 30/90/130 Printer series – Quick Reference Guide

However, there is no guarantee that interference will not occur in a particular installation. If this equipment does cause harmful interference to radio or television reception, which can be determined by turning the equipment off and on, the user is encouraged to try to correct the interference by one or more of the following measures:

- Reorient the receiving antenna.
- Increase the separation between the equipment and the receiver.
- Connect the equipment into an outlet on a circuit different from that to which the receiver is connected.
- Consult your dealer or an experienced radio/TV technician.

You may find useful the following booklet prepared by the FCC: "How to Identify and Resolve Radio-TV Interference Problems". This booklet is available from the US Government Printing Office, Washington, DC 20402, Stock No. 004-000-00345-4.

Normes de sécurité (Canada)

Le présent appareil numérique n'émet pas de bruits radioélectriques dépassant les limites applicables aux appareils numériques de Classe B prescrites dans le règlement sur le brouillage radioélectrique édicté par le Ministère des Communications du Canada.

DOC statement (Canada)

This digital apparatus does not exceed the Class B limits for radio noise emissions from digital apparatus set out in the Radio Interference Regulations of the Canadian Department of Communications.

Korean EMI statement

사용자 안내문 : A 급 기기

이 기기는 업무용으로 전자파적합등록을 받은 기기이오니, 판매자 또는 사용자는 이 점을 주의하시기 바라며, 만약 잘못 구입 하셨을 때에는 구입한 곳에서 비업무용으로 교환하시기 바랍니다.

HP Designjet 30/90/130 Printer series – Quick Reference Guide

VCCI Class B (Japan)

この装置は、情報処理装置等電波障害自主規制協議会（VCCI）の基準に基づくクラスB情報技術装置です。この装置は、家庭環境で使用することを目的としていますが、この装置がラジオやテレビジョン受信機に近接して使用されると、受信障害を引き起こすことがあります。

取扱説明書に従って正しい取り扱いをして下さい。

Safety Power cord warning

製品には、同梱された電源コードをお使い下さい。
同梱された電源コードは、他の製品では使用出来ません。

translation
Please use the attached power cord.
The attached power cord is not allowed to use with other product.

Taiwanese EMI statement

警告使用者：

這是甲類的資訊產品，在居住的環境中使用時，可能會造成射頻干擾，在這種情況下，使用者會被要求採取某些適當的對策。

Chinese EMI Statement

本设备符合中国无线电干扰技术标准信息技术设备B级发射限值要求。

Sound (Germany)

Geräuschemission (Germany) LpA < 70 dB, am Arbeitsplatz, im Normalbetrieb, nach DIN45635 T. 19.

HP Designjet 30/90/130 Printer series – Quick Reference Guide



DECLARATION OF CONFORMITY

according to ISO/IEC Guide 22 and EN 45014

Supplier's Name: Hewlett-Packard Company
Supplier's Address: Avda. Graells, 501
 08174 Sant Cugat del Vallès
 Barcelona, Spain

declares that the product

Regulatory Model: ³⁾ BCLAA-0301
 BCLAA-0302
 BCLAA-0408

Product Family: HP Designjet Inkjet Printers

Product Options: All⁴⁾

Conforms to the following Product Specifications

Safety: IEC 60950-1:2001 / EN 60950-1:2001

EMC: CISPR 22:1997 / EN 55022:1998 Class B¹⁾
 EN 55024:1998 +A1
 EN 61000-3-2:2000
 EN 61000-3-3:1995+A1:2001
 FCC Title 47 CFR, Part 15 Class B²⁾

Additional Information

The product herewith complies with the requirements of the Low-Voltage Directive 73/23/EEC and the EMC Directive 89/336/EEC and carries the CE marking accordingly.

¹⁾The product was tested in a typical configuration with HP Personal Computer Systems and peripherals.

²⁾This Device complies with Part 15 of the FCC Rules. Operation is subject to the following two Conditions: (1) this device may not cause harmful interference, and (2) this device must accept any interference received, including interference that may cause undesired operation.

³⁾This product is assigned a Regulatory model number which stays with the regulatory aspects of the design. The Regulatory Model Number is the main product identifier in the regulatory documentation and test reports, this number should not be confused with the marketing name or the product numbers.

⁴⁾Except bundles including p/n: Q1292-60058 EyeOne Kit, which are only intended for EMEA market.

Sant Cugat del Vallès
 (Barcelona),
 January 25th, 2005

Josep-Maria Pujol,
 Product Regulations Manager

Local contact for regulatory topics only:

European Contact: Hewlett-Packard GmbH, HQ-TRE, Herrenberger Strasse 140, 71034
 Boeblingen, Germany
 USA Contact: Hewlett-Packard Company, HPCC, 20555 S.H. 249 Houston, Texas,
 77070
 Australia Contact: Hewlett-Packard Australia Ltd, Product regulations Manger, 31-41 Joseph
 Street, Blackburn, Victoria, 3130, Australia



Printed on recycled
paper



Imprimé sur
du papier recyclé



Stampato su
carta riciclata



Gedruckt auf
Recyclingpapier



Impreso en papel
reciclado

© Hewlett-Packard Company, 2005
04/2005
Q6656-90011
Printed in Germany.
Imprimé en Allemagne.
Stampato in Germania.

Hewlett Packard Company
Avenida Graells, 501
08174 Sant Cugat del Vallés
Barcelona
Spain



Q6656-90011