



# HP Scanjet 3800 Photo Scanner

## HP Scanjet 3800 Lorum Ipsum

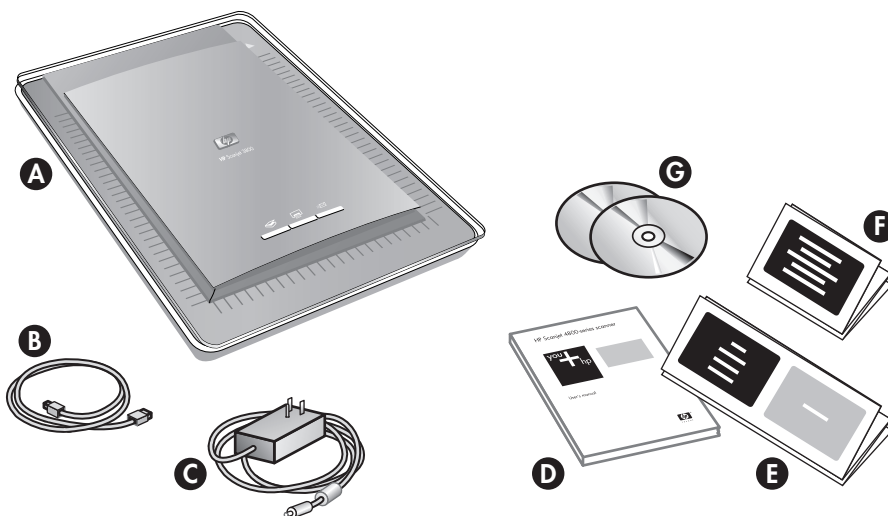
# Setup

## Ullam

### English

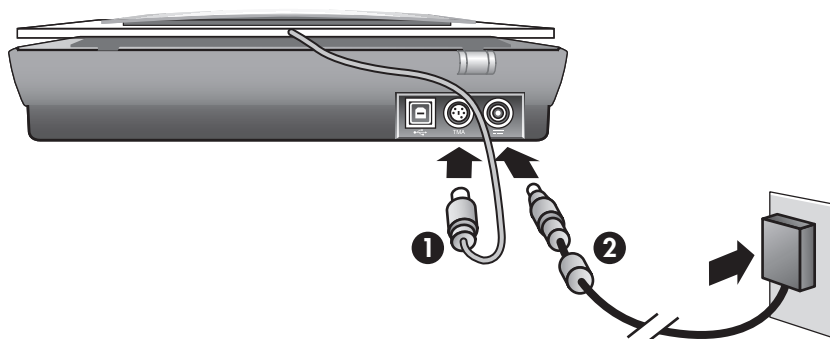
#### 1. Check the Box Contents

- |   |   |
|---|---|
| A. Scanner with transparent materials adapter (TMA) | D. User's Manual (Printed or on CD)           |
| B. USB cable  | E. Setup Poster                               |
| C. Power supply/power cord (where applicable)       | F. Warranty sheet                             |
|   | G. One or more CDs (depending on your region) |



#### 2. Connect the Scanner in the Order Shown

1. Connect the TMA cable to its port on the back of the scanner.
2. Connect the power supply to the scanner and then plug it into a surge protector or grounded wall outlet. The scanner turns on.

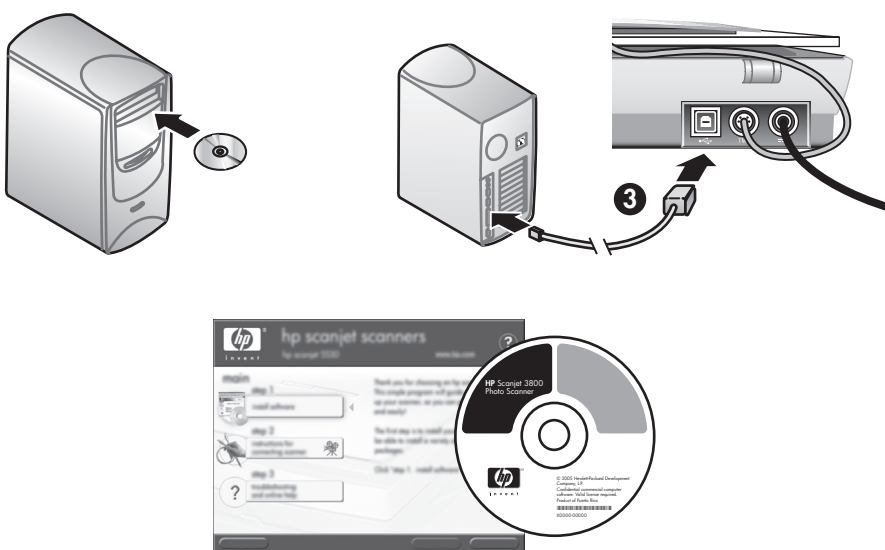


#### 3. Install the Software

1. Close all programs.
2. Insert the HP Image Zone CD that is appropriate for your language and operating system.
3. When prompted by the installation software, connect the USB cable to the scanner and to your computer.

**Windows:** If the installation does not start automatically: On the **Start** menu, click **Run** and type: **D:\setup.exe** (where D is the letter of the CD-ROM drive).

**Macintosh:** Double-click the CD icon on the desktop. Then double-click on the install icon in the window.



### Suocirca

#### 1. Check the Box Contents

- |   |   |
|---|---|
| A. Scanner with transparent materials adapter (TMA) | D. User's Manual (Printed or on CD)           |
| B. USB cable  | E. Setup Poster                               |
| C. Power supply/power cord (where applicable)       | F. Warranty sheet                             |
|   | G. One or more CDs (depending on your region) |

#### 2. Connect the Scanner in the Order Shown

1. Connect the TMA cable to its port on the back of the scanner.
2. Connect the power supply to the scanner and then plug it into a surge protector or grounded wall outlet. The scanner turns on.

#### 3. Install the Software

1. Close all programs.
2. Insert the HP Image Zone CD that is appropriate for your language and operating system.
3. When prompted by the installation software, connect the USB cable to the scanner and to your computer.

**Windows:** If the installation does not start automatically: On the **Start** menu, click **Run** and type: **D:\setup.exe** (where D is the letter of the CD-ROM drive).

**Macintosh:** Double-click the CD icon on the desktop. Then double-click on the install icon in the window.

#### 4. To Scan

##### Pictures and documents

1. Place the original face down on the scanner glass as indicated by the reference mark on the scanner.
2. Press the scan button and follow the onscreen instructions.

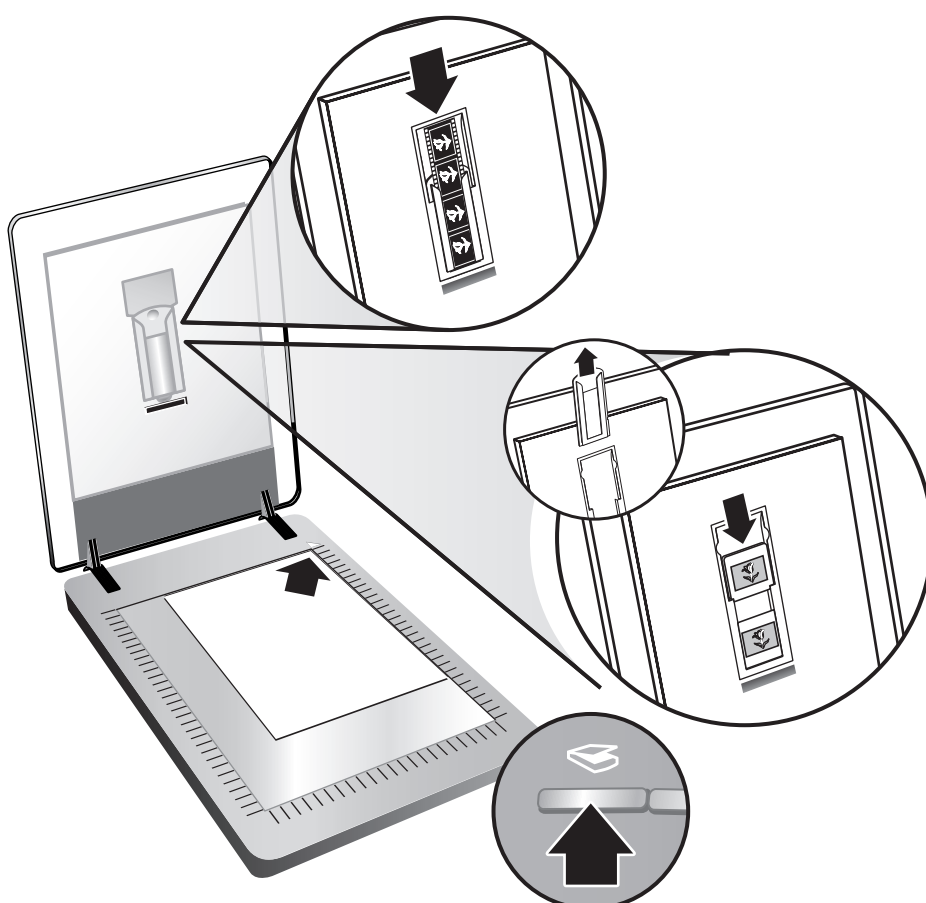
##### Slides and negatives

1. Insert slides or negatives into the TMA. (See the User's Manual for details).
2. Press the scan button and follow the onscreen instructions.

##### Scanner Buttons

- Scan** – Scans pictures, graphics, documents, slides, negatives, and objects.
- Copy** – Scans the item and sends it to a printer to make a copy.
- Scan to Share** – Sends the scan to HP Instant Share or to your email program.

**Note:** For detailed instructions see the User's Manual or onscreen Help. To access the User's Manual on the CD, select your language directory and open the PDF file.



#### 4. To Scan

##### Pictures and documents

1. Place the original face down on the scanner glass as indicated by the reference mark on the scanner.
2. Press the scan button and follow the onscreen instructions.

##### Slides and negatives

1. Insert slides or negatives into the TMA. (See the User's Manual for details).
2. Press the scan button and follow the onscreen instructions.

##### Scanner Buttons

- Scan** – Scans pictures, graphics, documents, slides, negatives, and objects.
- Copy** – Scans the item and sends it to a printer to make a copy.
- Scan to Share** – Sends the scan to HP Instant Share or to your email program.

**Note:** For detailed instructions see the User's Manual or onscreen Help. To access the User's Manual on the CD, select your language directory and open the PDF file.

#### Product Support

- [www.hp.com/support](http://www.hp.com/support) for customer support
- [www.shopping.hp.com](http://www.shopping.hp.com) (U.S. only) or [www.hp.com](http://www.hp.com) (worldwide) for ordering HP accessories, supplies, and products

[www.hp.com/support](http://www.hp.com/support)  
[www.shopping.hp.com](http://www.shopping.hp.com) (U.S. only)  
[www.hp.com](http://www.hp.com) (worldwide)

#### Product Support

- [www.hp.com/support](http://www.hp.com/support) for customer support
- [www.shopping.hp.com](http://www.shopping.hp.com) (U.S. only) or [www.hp.com](http://www.hp.com) (worldwide) for ordering HP accessories, supplies, and products



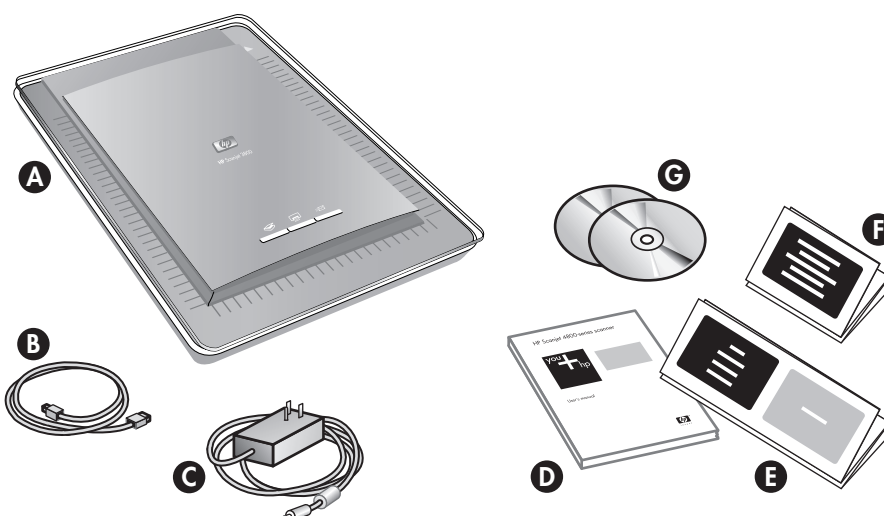
# HP Scanjet 3800 Eiusmod Tempor HP Scanjet 3800 Lorum Ipsum

Sartre  
Ullam

## Dorum

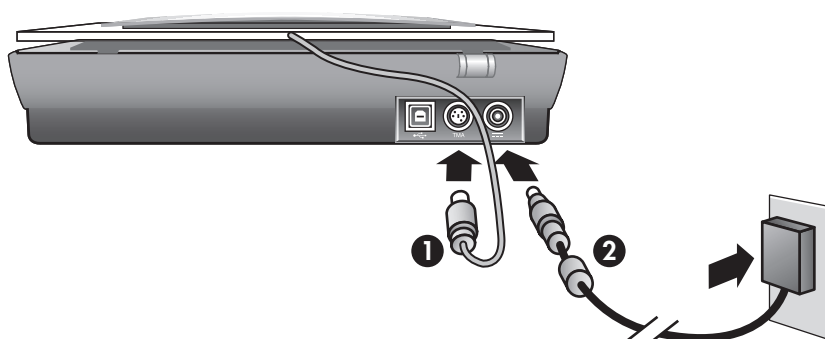
### 1. Check the Box Contents

- |  |  |
|--|--|
| <b>A.</b> Scanner with transparent materials adapter (TMA) | <b>D.</b> User's Manual (Printed or on CD)           |
| <b>B.</b> USB cable  | <b>E.</b> Setup Poster                               |
| <b>C.</b> Power supply/power cord (where applicable)       | <b>F.</b> Warranty sheet                             |
|  | <b>G.</b> One or more CDs (depending on your region) |



### 2. Connect the Scanner in the Order Shown

1. Connect the TMA cable to its port on the back of the scanner.
2. Connect the power supply to the scanner and then plug it into a surge protector or grounded wall outlet. The scanner turns on.

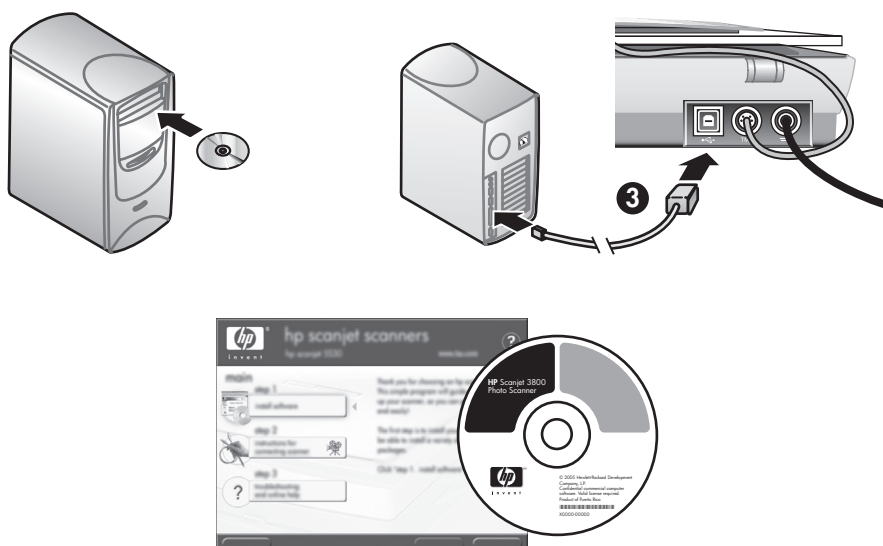


### 3. Install the Software

1. Close all programs.
2. Insert the HP Image Zone CD that is appropriate for your language and operating system.
3. When prompted by the installation software, connect the USB cable to the scanner and to your computer.

**Windows:** If the installation does not start automatically: On the **Start** menu, click **Run** and type: **D:\setup.exe** (where D is the letter of the CD-ROM drive).

**Macintosh:** Double-click the CD icon on the desktop. Then double-click on the install icon in the window.



### 4. To Scan

#### Pictures and documents

1. Place the original face down on the scanner glass as indicated by the reference mark on the scanner.
2. Press the scan button and follow the onscreen instructions.

#### Slides and negatives

1. Insert slides or negatives into the TMA. (See the User's Manual for details).
2. Press the scan button and follow the onscreen instructions.

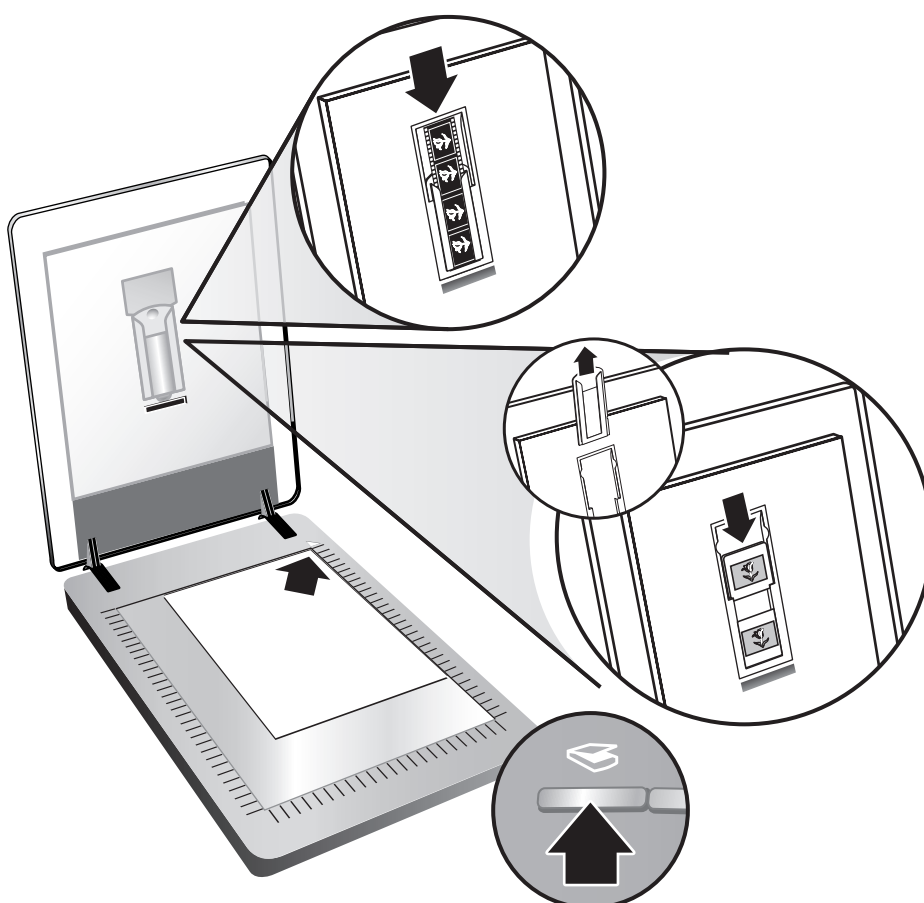
#### Scanner Buttons

**Scan** – Scans pictures, graphics, documents, slides, negatives, and objects.

**Copy** – Scans the item and sends it to a printer to make a copy.

**Scan to Share** – Sends the scan to HP Instant Share or to your email program.

**Note:** For detailed instructions see the User's Manual or onscreen Help. To access the User's Manual on the CD, select your language directory and open the PDF file.



## Suocirca

### 1. Check the Box Contents

- |  |  |
|--|--|
| <b>A.</b> Scanner with transparent materials adapter (TMA) | <b>D.</b> User's Manual (Printed or on CD)           |
| <b>B.</b> USB cable  | <b>E.</b> Setup Poster                               |
| <b>C.</b> Power supply/power cord (where applicable)       | <b>F.</b> Warranty sheet                             |
|  | <b>G.</b> One or more CDs (depending on your region) |

### 2. Connect the Scanner in the Order Shown

1. Connect the TMA cable to its port on the back of the scanner.
2. Connect the power supply to the scanner and then plug it into a surge protector or grounded wall outlet. The scanner turns on.

### 3. Install the Software

1. Close all programs.
2. Insert the HP Image Zone CD that is appropriate for your language and operating system.
3. When prompted by the installation software, connect the USB cable to the scanner and to your computer.

**Windows:** If the installation does not start automatically: On the **Start** menu, click **Run** and type: **D:\setup.exe** (where D is the letter of the CD-ROM drive).

**Macintosh:** Double-click the CD icon on the desktop. Then double-click on the install icon in the window.

### 4. To Scan

#### Pictures and documents

1. Place the original face down on the scanner glass as indicated by the reference mark on the scanner.
2. Press the scan button and follow the onscreen instructions.

#### Slides and negatives

1. Insert slides or negatives into the TMA. (See the User's Manual for details).
2. Press the scan button and follow the onscreen instructions.

#### Scanner Buttons

**Scan** – Scans pictures, graphics, documents, slides, negatives, and objects.

**Copy** – Scans the item and sends it to a printer to make a copy.

**Scan to Share** – Sends the scan to HP Instant Share or to your email program.

**Note:** For detailed instructions see the User's Manual or onscreen Help. To access the User's Manual on the CD, select your language directory and open the PDF file.

## Product Support

- [www.hp.com/support](http://www.hp.com/support) for customer support
- [www.shopping.hp.com](http://www.shopping.hp.com) (U.S. only) or [www.hp.com](http://www.hp.com) (worldwide) for ordering HP accessories, supplies, and products

[www.hp.com/support](http://www.hp.com/support)  
[www.shopping.hp.com](http://www.shopping.hp.com) (U.S. only)  
[www.hp.com](http://www.hp.com) (worldwide)

## Product Support

- [www.hp.com/support](http://www.hp.com/support) for customer support
- [www.shopping.hp.com](http://www.shopping.hp.com) (U.S. only) or [www.hp.com](http://www.hp.com) (worldwide) for ordering HP accessories, supplies, and products



00000-00000

