

Memory Modules

Document Part Number: 383367-001

May 2005

This guide explains how to replace and upgrade memory in the notebook.

Contents

Memory Modules

Adding or Replacing a Memory Module	2
Effects of Increasing Memory	7

Memory Modules

The notebook has 1 memory module compartment, which is located on the bottom of the notebook. The memory capacity of the notebook can be upgraded by adding a memory module to the vacant expansion memory module slot or by upgrading the existing memory module in the primary memory module slot.



WARNING: The memory module compartment is the only user-accessible internal compartment on the notebook. All other areas that require a tool to open should be opened only by a service partner.



WARNING: To reduce the risk of electric shock and damage to the equipment, unplug the power cord and remove all battery packs before installing a memory module.

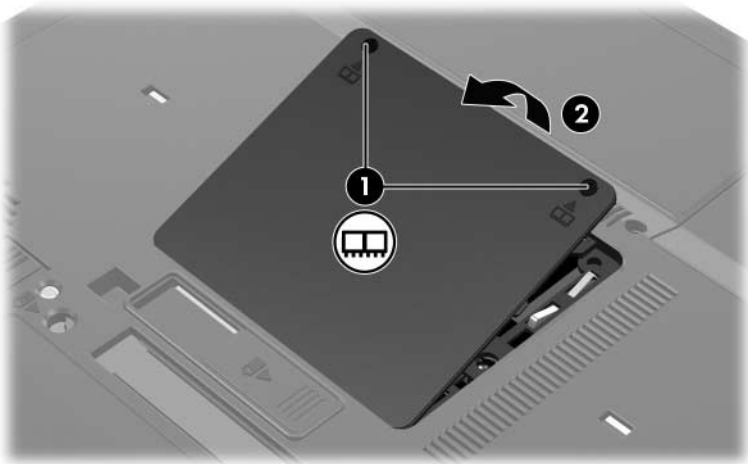


CAUTION: Electrostatic discharge (ESD) can damage electronic components. Before beginning any procedure, ensure that you are discharged of static electricity by touching a grounded metal object. For more information, refer to the *Electrostatic Discharge* guide, which is located in the Help and Support Center. Select **Start > Help and Support > User Guides**.

Adding or Replacing a Memory Module

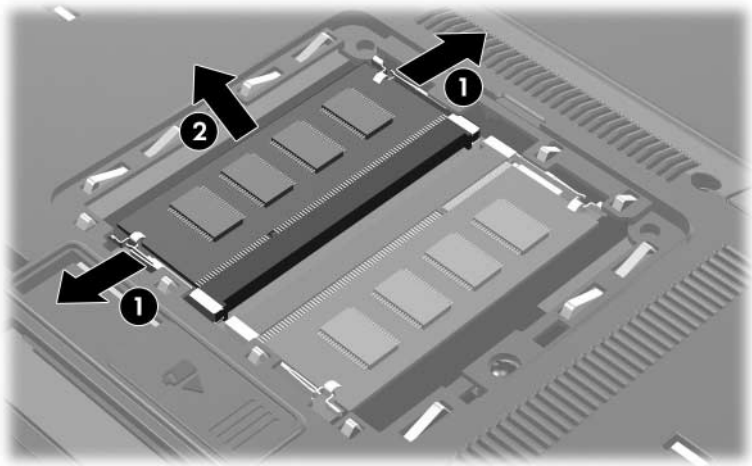
To add or replace a memory module:

1. Shut down the notebook. (If you are not sure whether the notebook is off or in hibernation, turn the notebook on by pressing the power/standby button. Then shut down the notebook through the operating system.)
2. Disconnect all external devices connected to the notebook.
3. Disconnect the power cord.
4. Turn the notebook upside down.
5. Remove any battery packs from the notebook.
6. Loosen the memory module cover screws **1**.
7. Lift the memory module cover **2** away from the notebook.



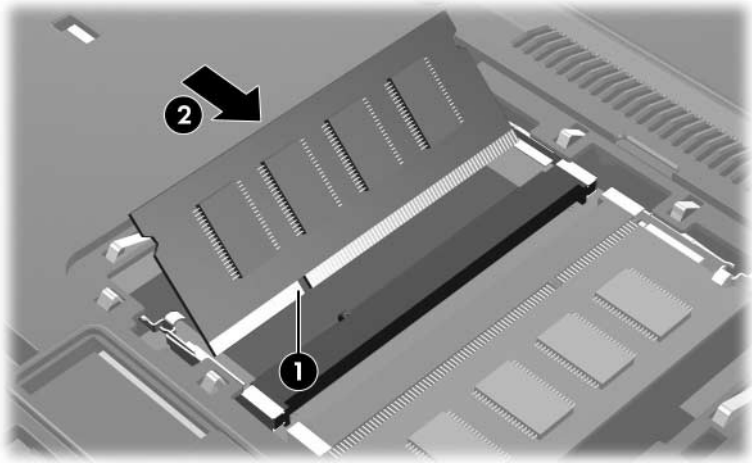
8. To replace a memory module:

- a. Pull away the retention clips on each side of the memory module ❶. (The memory module tilts upward.)
- b. Grasp the edges of the memory module ❷ and gently pull the module out of the memory slot. (To protect a memory module after removal, place it in an electrostatic-safe container.)

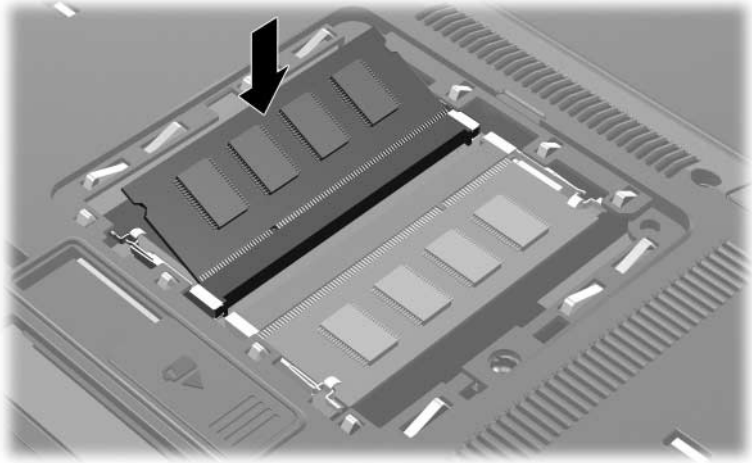


9. To insert a memory module:

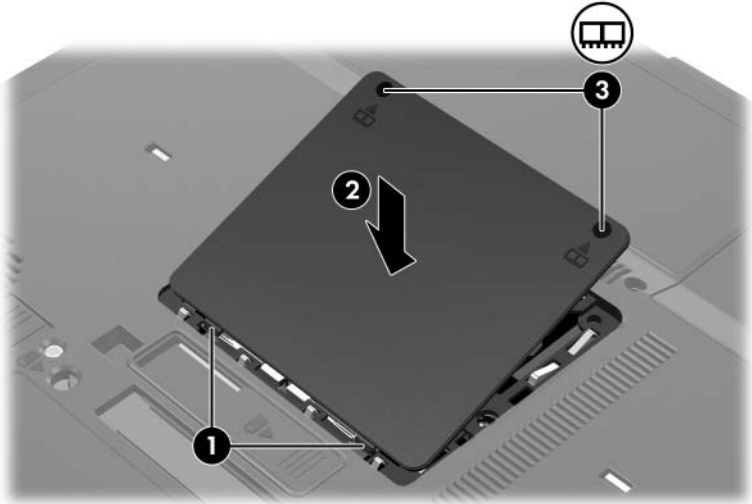
- a. Align the keyed (notched) edge **1** of the memory module with the tabbed area in the memory slot.
- b. With the memory module at a 45-degree angle from the surface of the memory module compartment, press the module **2** into the memory slot until it is seated.



-
- c. Press the memory module downward until the retention clips snap into place.



-
10. Align the tabs **1** on the memory module cover with the notches on the notebook.
 11. Close the cover **2**.
 12. Tighten the memory module cover screws **3**.



13. Replace the battery pack(s).
14. Reconnect external power and external devices.
15. Turn on the notebook.

Effects of Increasing Memory

When random access memory (RAM) increases, the operating system increases the hard drive space reserved for the hibernation file.

If you experience problems with hibernation after increasing memory, verify that your hard drive has enough free space to accommodate a larger hibernation file.

- To display the amount of memory in the system:
 - Select **Start > Control Panel > Performance and Maintenance > System > General** tab.
 - or –
 - Press **fn+esc**.
- To display the amount of free space on your hard drive:
 1. Double-click the **My Computer** icon on the Microsoft® Windows® desktop.
 2. Double-click your hard drive.

Information about the space on the drive is displayed in a status bar at the bottom of the window.

- To display the amount of space required by the hibernation file:

Select **Start > Control Panel > Performance and Maintenance > Power Options > Hibernate** tab.

© Copyright 2005 Hewlett-Packard Development Company, L.P.

Microsoft and Windows are U.S. registered trademarks of Microsoft Corporation.

The information contained herein is subject to change without notice. The only warranties for HP products and services are set forth in the express warranty statements accompanying such products and services. Nothing herein should be construed as constituting an additional warranty. HP shall not be liable for technical or editorial errors or omissions contained herein.

Memory Modules

First Edition May 2005

Document Part Number: 383367-001