

Multimedia

Document Part Number: 383369-001

May 2005

This guide explains how to use the audio and video (select models only) features of the notebook.

Contents

Multimedia

Audio Features	1
Using the Internal Microphone or the Audio-In (Microphone) Jack.	5
Using the Audio-Out (Headphone) Jack	5
Adjusting the Volume	6
Video Features (Select Models Only)	7
Using the S-Video-out Jack.	8
Connecting a Monitor, Projector or Television.	9
Multimedia Software	10
Observing the Copyright Warning	10
Installing Software.	11
Enabling AutoPlay.	11
Using Windows Media Player.	12
Using InterVideo WinDVD.	12
Using InterVideo WinDVD Creator Plus (Select Models Only).	13
Using Sonic RecordNow!	13
Changing DVD Region Settings	14

Audio Features

The following figure and table describe the audio features of the notebook.



Components included with your notebook may vary by geographical region and by model. The illustrations in this chapter identify the standard features included in most notebook models. Refer to the illustration that most closely matches your notebook.



Component	Description
① Audio-in (microphone) jack	Connects an optional headset microphone or a monaural microphone.
② Audio-out (headphone) jack	Produces notebook sound when connected to optional powered stereo speakers, headphones, headset, or television audio.
③ Speakers (2)	Produce notebook sound.
④ Volume mute hotkey	Turns off notebook sound.
⑤ Volume down hotkey	Decreases notebook sound.
⑥ Volume up hotkey	Increases notebook sound.

(Continued)

Component	Description
⑦ Volume mute button	Turns off notebook sound.
⑧ Volume down button	Decreases notebook sound.
⑨ Volume up button	Increases notebook sound.
⑩ Volume mute light	On: Notebook sound is turned off.
⑪ Internal microphone	Records sound.



Component	Description
① Audio-in (microphone) jack	Connects an optional headset microphone or a monaural microphone.
② Audio-out (headphone) jack	Produces notebook sound when connected to optional powered stereo speakers, headphones, headset, or television audio.
③ Speakers (2)	Produce notebook sound.
④ Volume mute hotkey	Turns off notebook sound.
⑤ Volume down hotkey	Decreases notebook sound.
⑥ Volume up hotkey	Increases notebook sound.
⑦ Internal microphone	Records sound.

Using the Internal Microphone or the Audio-In (Microphone) Jack

Your notebook is equipped with an internal monaural microphone and a microphone jack that supports an optional headset microphone or a monaural microphone.

When connecting a microphone to the microphone jack, use a microphone with a 3.5-mm plug.



When a microphone is connected to the microphone jack, the internal microphone is disabled.

Using the Audio-Out (Headphone) Jack



WARNING: To reduce the risk of personal injury, adjust the volume before putting on headphones or a headset.

In addition to connecting headphones, the headphone jack is used to connect the audio function of an audio/video device such as a television or VCR.

When connecting a device to the headphone jack:

- Use only a 3.5-mm stereo plug.
- For best sound quality, use 24-ohm to 32-ohm headphones.



When a device is connected to the headphone jack, the internal speakers are disabled.

Adjusting the Volume

You can adjust the volume using any of the following controls:

- Notebook volume buttons (select models only)
 - To mute or restore volume, press the volume mute button.
 - To decrease the volume, press the volume down button.
 - To increase the volume, press the volume up button.
- Microsoft® Windows® volume control:
 1. Click the **Volume** icon in the notification area (at the far right of the taskbar).
 2. Increase or decrease the volume by moving the slider up or down. (You can also select the **Mute** check box to mute the volume.)

– or –

 1. Double-click the **Volume** icon in the notification area.
 2. In the **Volume Control** column, increase or decrease the volume by moving the **Volume** slider up or down. You can also adjust the balance or mute the volume.



Volume can also be adjusted within some applications.

If the Volume icon is not in the notification area, follow the steps below to place it in the notification area.

1. Select **Start > Control Panel > Sounds, Speech, and Audio Devices > Sounds and Audio Devices**.
2. Click the **Volume** tab.
3. Select the **Place volume icon in the taskbar** check box.
4. Click **Apply**.

Video Features (Select Models Only)

The notebook features a 7-pin S-Video-out jack that connects the notebook to an optional S-Video device such as a television, VCR, camcorder, overhead projector, or video capture card.

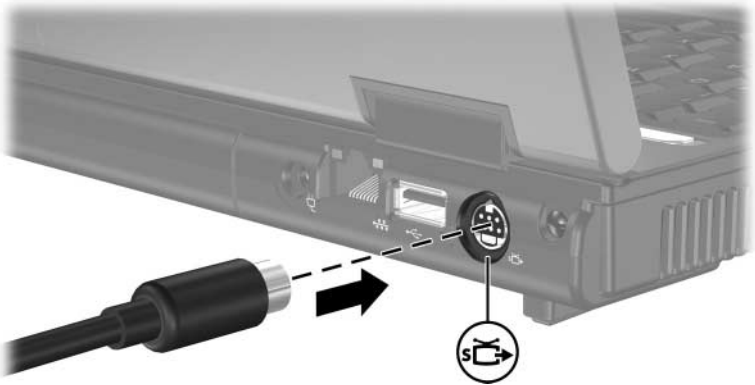
The notebook can support one S-Video device connected to the S-Video-out jack while simultaneously supporting an image on the notebook display and on any other supported external display. The S-Video connection usually provides a higher quality image than a composite-video connection.

To transmit video signals through the S-Video-out jack, you need an S-Video cable, available from most electronics retailers. If you are combining audio and video functions, such as playing a movie from a DVD in an optional MultiBay drive to a television, you also need a standard audio cable, available from most electronics retailers.

Using the S-Video-out Jack

To connect a video device to the S-Video-out jack:

1. Plug one end of the S-Video cable into the S-Video-out jack on the notebook.



2. Connect the other end of the cable to the video device, as instructed in the documentation included with the device.



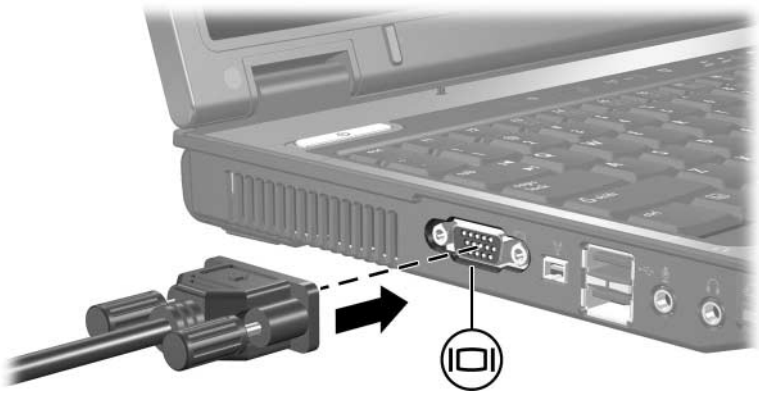
If the S-Video-out jack on the notebook is not accessible because the notebook is docked into an optional docking device, you can connect the device to the S-Video-out jack on the docking device.

Connecting a Monitor, Projector or Television

To connect an external monitor or projector to the notebook, insert the monitor cable into the external monitor port on the left side of the notebook.



Your notebook may look slightly different from the illustration in this section.



If a properly connected external monitor or projector does not display an image, press the **fn+f4** hotkey to transfer the image to the monitor.

Multimedia Software

The following software is supported for use with the notebook:

- Windows Media Player—Plays audio and video CDs, video DVDs, and copies audio and data CDs. This software is included with the Windows operating system.
- InterVideo WinDVD—Plays video CDs and DVDs. This software is preinstalled on select notebooks. You can also obtain this software by any of the following methods:
 - ❑ Install WinDVD from the *Recovery* disc provided with most HP notebooks.
 - ❑ If you do not have the *Recovery* disc, contact Customer Care for a copy of the restore solution for your notebook.
 - ❑ Download the software from the HP Web site at <http://www.hp.com>.
- InterVideo WinDVD Creator Plus—Provides the ability to create, edit, and burn movies to a DVD or video CD. This software is located on the *InterVideo WinDVD Creator* CD, included with select notebooks.
- Sonic RecordNow!—Enables you to create copies of data and audio CDs and DVDs and create personalized audio CDs and DVDs. RecordNow! is preinstalled on select notebooks.

Observing the Copyright Warning

It is a criminal offense, under applicable copyright laws, to make unauthorized copies of copyright-protected material, including computer programs, films, broadcasts, and sound recordings. This notebook should not be used for such purposes.

Installing Software

To install software from a CD included with the notebook:

1. Insert the software CD into the optical drive.
 - ❑ If Autorun is enabled, an installation wizard is displayed.
 - ❑ If Autorun is disabled, select **Start > Run**. Then enter
x:\setup.exe
where *x* is your CD drive designation.
2. Click **OK**.
3. When the installation wizard is displayed, follow the installation instructions on the screen.
4. Restart the notebook if prompted.



Repeat the installation procedure for all software you want to install.



WinDVD Creator has specific drive requirements for proper installation. To install WinDVD Creator, refer to the instructions provided with the *InterVideo WinDVD Creator* CD.

Enabling AutoPlay

AutoPlay is an option in Windows that turns the Autorun feature on or off. Autorun starts a program or plays a title on a disc as soon as it is inserted into the drive and the drive door is closed. By default, AutoPlay is enabled on the notebook.

To disable AutoPlay or to enable AutoPlay if the feature has been turned off, refer to your operating system documentation or visit the Microsoft Web site at <http://www.microsoft.com>.

Using Windows Media Player

Windows Media Player is included with the Windows operating system. It can be used to play CDs and DVDs, and create audio and data CDs. To play a CD or DVD:

1. Insert the CD or DVD into the optical drive.
2. Wait several seconds, and then:
 - ❑ If AutoPlay is enabled, Windows Media Player opens.
 - ❑ If Windows Media Player does not open, select **Start > (All) Programs > Accessories > Entertainment > Windows Media Player**, and then click the **Play** button to play the CD.

For additional instructions on using this application, select **Help** on the Windows Media Player menu bar.

Using InterVideo WinDVD

InterVideo WinDVD can be used to play video CDs and DVD movies. To locate and install InterVideo WinDVD, refer to “[Installing Software](#).”

To open WinDVD when AutoPlay has been disabled:

- » Select **Start > (All) Programs > InterVideo WinDVD > InterVideo WinDVD**.

For more information about using WinDVD, click **Help** on the WinDVD menu bar.

Using InterVideo WinDVD Creator Plus (Select Models Only)

InterVideo WinDVD Creator Plus can be used to create, edit, and burn movies to a DVD or video CD. This software must be installed from the *InterVideo WinDVD Creator* CD provided with select notebooks.

WinDVD Creator Plus must be installed using a DVD/CD-RW Combo Drive or a DVD±RW and CD-RW Combo Drive only. If you do not use one of these drives, WinDVD Creator Plus will not be installed.

For more information about WinDVD Creator Plus capabilities and instructions on creating DVDs and video CDs, refer to the WinDVD Creator Plus online Help after installing the software.

Using Sonic RecordNow!

Sonic RecordNow! can be used to create backups of data or audio CDs or DVDs, transfer audio files from CDs to a hard drive, and create personalized audio CDs. RecordNow! is preinstalled on your notebook. For more information about RecordNow! capabilities and instruction on creating data and audio CDs and DVDs, refer to the Sonic RecordNow! tutorial and online Help.

Changing DVD Region Settings

Most DVDs that contain copyrighted files also contain region codes. The region codes help protect copyrights internationally.

You can play a DVD containing a region code only if the region code on the DVD matches the region setting on your DVD drive.

If the region code on a DVD does not match the region setting on your drive, a “Playback Of Content From This Region Is Not Permitted” message is displayed when you insert the DVD. To play the DVD, you must change the region setting on your DVD drive. DVD region settings can be changed through the operating system or through some DVD players.

Using the Operating System



CAUTION: The region settings on your DVD drive can be changed only 5 times.

- The region setting you select the fifth time becomes the permanent region setting on the DVD drive.
 - The number of allowable region changes remaining on the drive is displayed in the **Changes remaining** field on the **DVD Region** tab. The number in the field includes the fifth and permanent change.
-

To change settings through the operating system:

1. Select **Start > My Computer**.
2. Right-click in the window and select **Properties > Hardware tab > Device Manager**.
3. Click **DVD/CD-ROM drives**, right-click the DVD drive for which you want to change region settings, and then click **Properties**.
4. Make the desired changes on the **DVD Region** tab.
5. Click **OK**.

For additional information, select **Start > Help and Support**.

Using WinDVD



CAUTION: The region settings on your DVD drive can be changed only 5 times.

- The region setting you select the fifth time becomes the permanent region setting on the DVD drive.
- The number of allowable region changes remaining on the drive is displayed in the **Remaining Times Until Permanent** field in the WinDVD window. The number in the field includes the fifth and permanent change.

To change the region settings on a drive using WinDVD:

1. Open WinDVD through one of the following methods:
 - ❑ Select the WinDVD Player icon in the notification area, at the far right of the taskbar.
 - ❑ Select **Start > (All) Programs > InterVideo WinDVD > InterVideo WinDVD**.
2. Right-click the WinDVD player window.
3. Click **Setup**.
4. Click the region on the **Region** tab.
5. Click **Apply**, and then click **OK**.

Using Other DVD Software

To change region settings on a drive using a DVD player other than WinDVD, refer to the documentation provided with the player.

© Copyright 2005 Hewlett-Packard Development Company, L.P.

Microsoft and Windows are U.S. registered trademarks of Microsoft Corporation.

The information contained herein is subject to change without notice. The only warranties for HP products and services are set forth in the express warranty statements accompanying such products and services. Nothing herein should be construed as constituting an additional warranty. HP shall not be liable for technical or editorial errors or omissions contained herein.

Multimedia

First Edition May 2005

Document Part Number: 383369-001