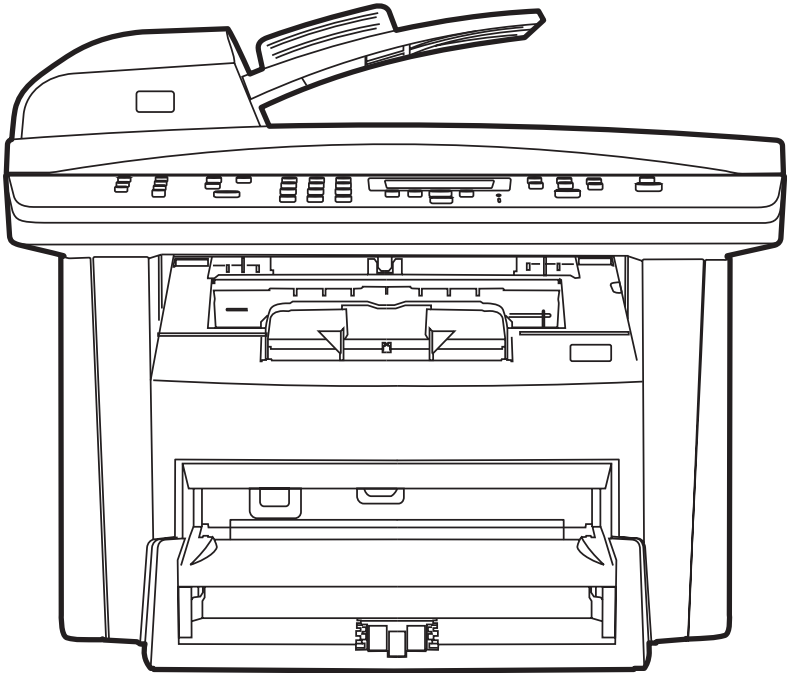


# HP LaserJet 3052/3055 Getting Started Guide



## Copyright Information

© 2006 Copyright Hewlett-Packard Development Company, L.P.

Reproduction, adaptation or translation without prior written permission is prohibited, except as allowed under the copyright laws.

The information contained in this document is subject to change without notice.

The only warranties for HP products and services are set forth in the express warranty statements accompanying such products and services. Nothing herein should be construed as constituting an additional warranty. HP shall not be liable for technical or editorial errors or omissions contained herein.

Edition 1, 4/2006

Q6502-90902

## FCC Regulations

This equipment has been tested and found to comply with the limits for a Class B digital device, pursuant to Part 15 of the FCC rules. These limits are designed to provide reasonable protection against harmful interference in a residential installation. This equipment generates, uses, and can radiate radio frequency energy. If this equipment is not installed and used in accordance with the instructions, it may cause harmful interference to radio communications. However, there is no guarantee that interference will not occur in a particular installation. If this equipment does cause harmful interference to radio or television reception, which can be determined by turning the equipment off and on, the user is encouraged to try to correct the interference by one or more of the following measures:

Reorient or relocate the receiving antenna.

Increase separation between equipment and receiver.

Connect equipment to an outlet on a circuit different from that to which the receiver is located.

Consult your dealer or an experienced radio/TV technician.

Any changes or modifications to the printer that are not expressly approved by HP could void the user's authority to operate this equipment.

Use of a shielded interface cable is required to comply with the Class B limits of Part 15 of FCC rules.

This equipment complies with FCC rules, Part 68. On the back of this equipment is a label that contains, among other information, the FCC registration number and ringer equivalence number (REN) for this equipment. If requested, this information must be provided to the telephone company. The REN is used to determine the quantity of devices which may be connected to the telephone line. Excessive RENs on the telephone line may result in the devices not ringing in response to an incoming call. In most, but not all, areas, the sum of the RENs should not exceed five (5.0). To be certain of the number of devices that may be connected to the line, as determined by the total RENs, contact the telephone company to determine the maximum REN for the calling area.

This equipment uses the following USOC jacks: RJ11C.

An FCC-compliant telephone cord and modular plug is provided with this equipment.

This equipment is designed to be connected to the telephone network or premises wiring using a compatible modular jack which is Part 68 compliant. This equipment cannot be used on telephone company-provided coin service. Connection to Party Line Service is subject to state tariffs. If this equipment causes harm to the telephone network, the telephone company will notify you in advance that temporary discontinuance of service may be required. If advance notice is not practical, the telephone company will notify the customer as soon as possible. Also, you will be advised of your right to file a complaint with the FCC if you believe it is necessary. The telephone company may make changes in its facilities, equipment, operations, or procedures that could affect the operation of the equipment. If this happens, the telephone company will provide advance notice in order for you to make the necessary modifications in order to maintain uninterrupted service. If trouble is experienced with this equipment, please see the numbers in the front of this manual for repair and (or) warranty information. If the trouble is causing harm to the telephone network, the telephone company may request you remove the equipment from the network until the problem is resolved. The following repairs can be done by the customer: Replace any original equipment that came with the device. This includes the print cartridge, the supports for trays and bins, the power cord, and the telephone cord. It is recommended that the customer install an AC surge arrestor in the AC outlet to which this device is connected. This is to avoid damage to the equipment caused by local lightning strikes and other electrical surges.

See the electronic User Guide for more regulatory information.

## Trademark Credits

Microsoft®, Windows®, is a U.S. registered trademark of Microsoft Corporation. All other devices mentioned herein may be trademarks of their respective companies.

# Table of contents

## 1 Setting up the all-in-one

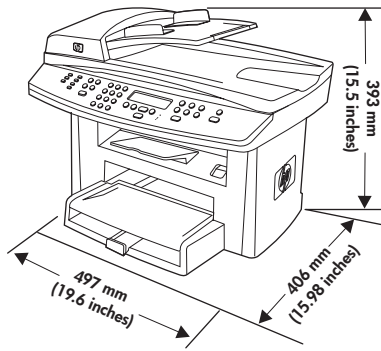
Step 1: Prepare the location.....	1
Step 2: Regulate the environment.....	1
Step 3: Verify the package contents.....	2
Step 4: Remove all packing tape.....	3
Step 5: Locate the all-in-one parts.....	4
Step 6: Install the control-panel faceplate (if not already installed).....	5
Step 7: Install the automatic document feeder (ADF) input tray.....	6
Step 8: Install the media input tray.....	7
Step 9: Install the output bin support.....	9
Step 10: Install the print cartridge.....	9
Step 11: Connect the power cord.....	11
Step 12: Connect a printer cable to the all-in-one.....	11
Step 13: Connect to a telephone line (HP LaserJet 3055 all-in-one only).....	12
Step 14: Turn on the all-in-one.....	12
Step 15: Set the control-panel-display language and location (if necessary).....	13
Step 16: Test the hardware setup by printing a configuration report.....	13
Step 17: Test the copier by using the automatic document feeder (ADF).....	13
Step 18: Test the copier by using the flatbed scanner.....	14
Step 19: Complete the hardware setup.....	14
Step 20: Connect to a Windows computer (Windows only).....	15
Step 21: Connect to a Macintosh computer (Mac OS X V10.3 and 10.4 only).....	16
Step 22: Fax setup (HP LaserJet 3055 all-in-one only).....	17
Step 23: Test the software installation.....	18
Step 24: Register the all-in-one.....	18
Step 25: Program the Scan To button (Windows only).....	18
Step 26: Use the HP ToolboxFX software to set device settings (Windows only).....	18
Step 27: Support information.....	19
Congratulations!.....	19
Tips for using the all-in-one.....	19
Clearing ADF jams.....	19
Preventing streaks and spots on scans and copies.....	20
Clearing print jams.....	20



# 1 Setting up the all-in-one

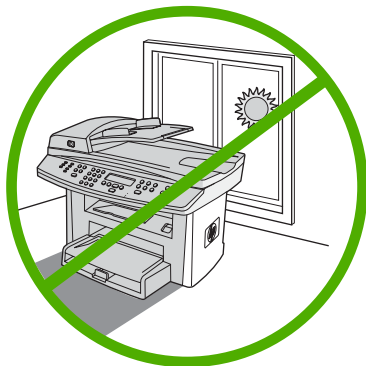
## Step 1: Prepare the location

Place the all-in-one on a sturdy, level surface in a well-ventilated area. Make sure that the air vents are not blocked and all doors can open freely.

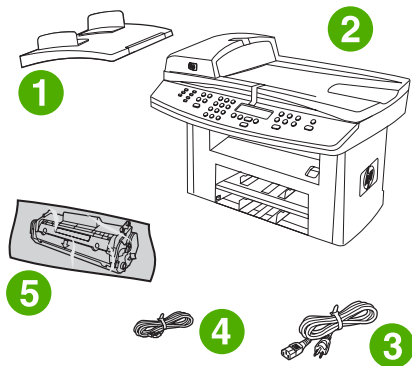


## Step 2: Regulate the environment

Do not place the all-in-one in direct sunlight or in an area that has abrupt temperature and humidity changes. The recommended ranges are 15 to 32.5°C (59 to 90.5°F) and 10 to 80% relative humidity.



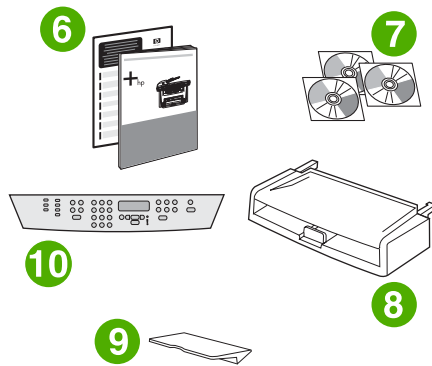
## Step 3: Verify the package contents



1	automatic document feeder (ADF) input tray
2	HP LaserJet 3052/3055 all-in-one
3	power cord
4	fax cord (HP LaserJet 3055 all-in-one only)
5	print cartridge



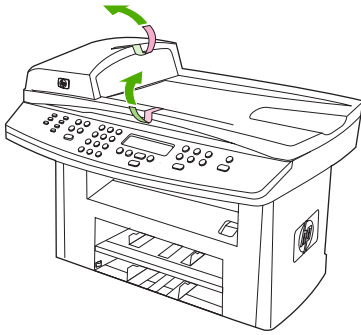
**NOTE** The USB and network cables are not included.



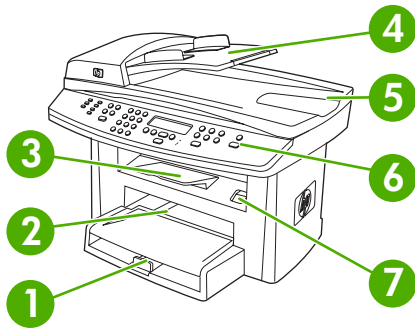
6	Start Guide and support flyer
7	CD-ROMs containing software and electronic User Guide
8	media input tray
9	output bin support
10	control-panel faceplate (if not already installed)

## Step 4: Remove all packing tape

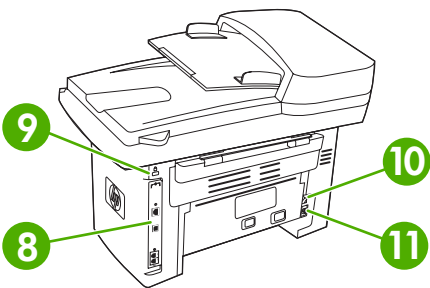
Check the all-in-one thoroughly and remove all the packing tape.



## Step 5: Locate the all-in-one parts



1	tray 1
2	priority input slot
3	output bin
4	automatic document feeder (ADF) input tray
5	ADF output bin
6	control panel
7	cartridge-door release



8	interface ports
9	security-lock slot
10	power switch
11	power connector

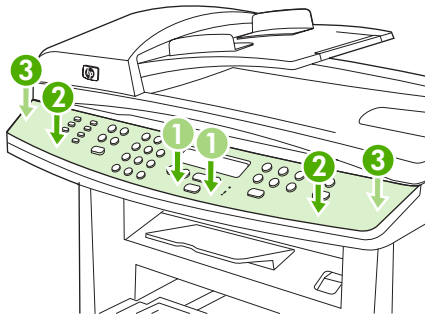


## Step 6: Install the control-panel faceplate (if not already installed)



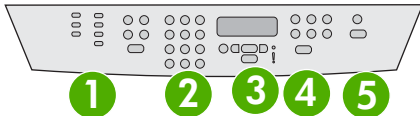
**NOTE** The control panel for the HP LaserJet 3055 all-in-one is shown.

1. Align the control-panel faceplate with the all-in-one.
2. Beginning in the center of the faceplate and working outward, press the faceplate until it snaps into place.



**NOTE** Make sure that the faceplate is aligned correctly and is not pressing any buttons.

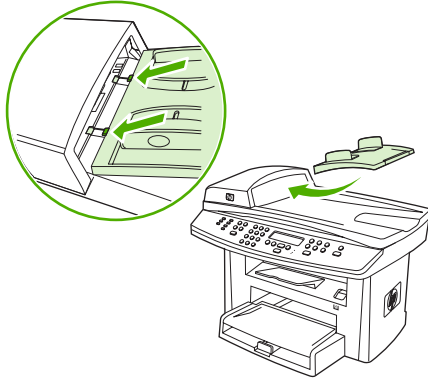
The control panel includes the following areas:



1	fax controls (HP LaserJet 3055 all-in-one only)
2	alphanumeric buttons
3	display and menu controls
4	copy controls
5	scan controls

## Step 7: Install the automatic document feeder (ADF) input tray

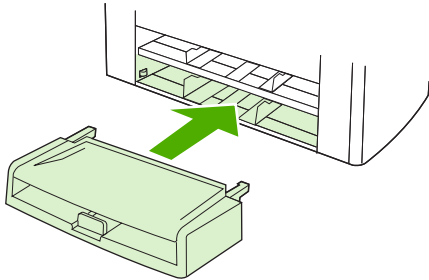
1. Open the ADF cover
2. Align the two tabs on the input tray with the two grooves in the ADF lid.
3. Slide the tray into the grooves until the tray locks into place.



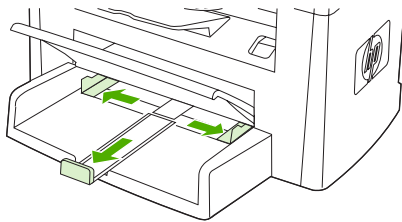
4. Close the ADF cover.

## Step 8: Install the media input tray

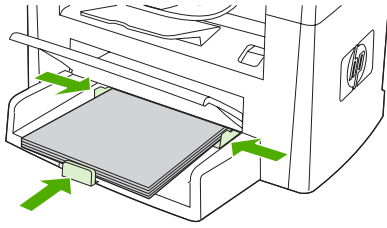
1. Remove any shipping tape from the inside and outside of the tray.
2. Slide the tray in until it fits securely.



3. Open the top of the media input tray.
4. Slide out the media guides.
5. Pull out the long-media support.



6. Place the media in the tray, and then adjust the media guides until they are flush with the media.



---

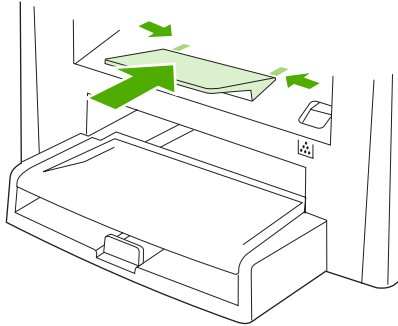
**NOTE** Do not fan the media before placing it in the tray.

---

7. Close the top of the media input tray.

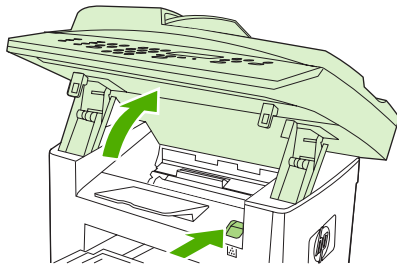
## Step 9: Install the output bin support

Insert the pin on one side of the support into the hole in the all-in-one. Flex the pin on the other side inward, and insert it into the hole.

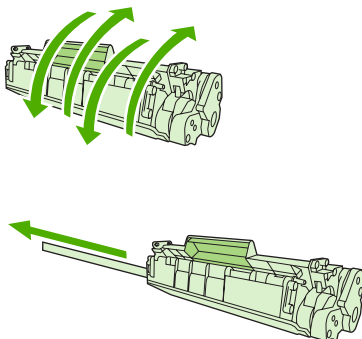


## Step 10: Install the print cartridge

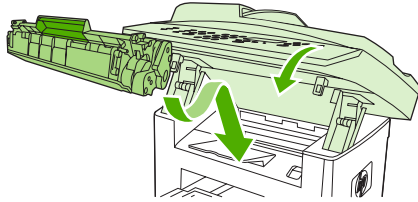
1. Press the cartridge-door release to open the print-cartridge door.



2. Remove the print cartridge from its packaging, and then rock the cartridge gently five or six times.
3. Bend the plastic tab at the end of the cartridge.
4. Pull the tab until all the sealing tape is removed from the cartridge.



5. Hold the print cartridge by the handle and insert it into the all-in-one.



6. Close the print-cartridge door.



---

**CAUTION** If toner gets on your clothing, wipe the toner off with a clean cloth, wash the items in cold water, and air dry. Hot water or heat from a dryer sets the toner in the fabric.

---



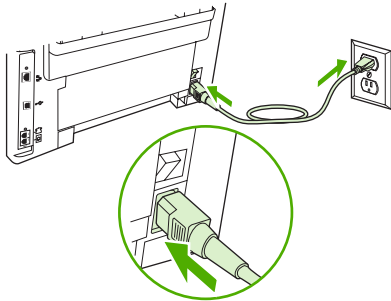
---

**NOTE** Hewlett-Packard Company cannot recommend using non-HP print cartridges, whether they are new, refilled, or remanufactured. Because they are not HP products, HP cannot influence their design or control their quality.

---

## Step 11: Connect the power cord

1. Connect the power cord to the power connector on the back of the all-in-one.
2. Connect the other end of the power cord to a grounded alternating current (AC) outlet.



**NOTE** Use only the power cord that came with the all-in-one.

## Step 12: Connect a printer cable to the all-in-one

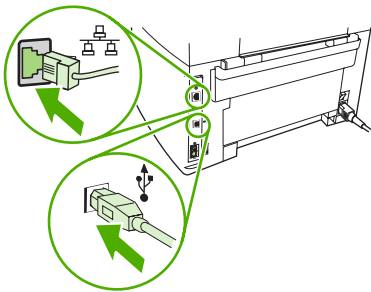


**NOTE** If you are using the all-in-one as a standalone fax machine, go to step 13. If you are using it as a standalone copier, go to step 14.

Connect the USB cable (A/B) or the network cable to the correct port.



**CAUTION** Do not connect the cable to a computer or a network at this time.

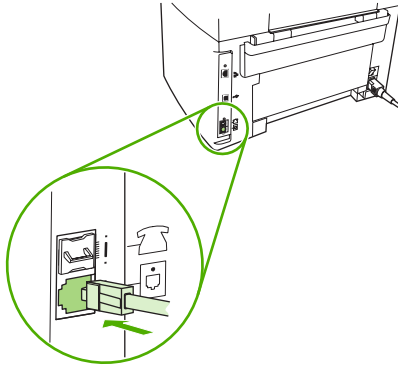


## Step 13: Connect to a telephone line (HP LaserJet 3055 all-in-one only)



**NOTE** If you are not using the fax functionality, go to step 14.

1. Connect the included fax cord to the port on the all-in-one that is marked with an "L".



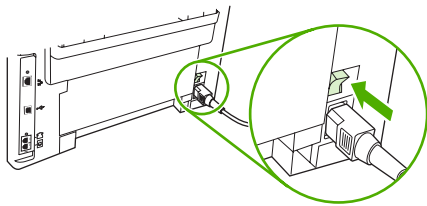
2. Connect the cord to a telephone jack.



**NOTE** Use only the fax cord that came with the all-in-one. For more information about faxing, see the online User Guide.

## Step 14: Turn on the all-in-one

Press the power switch on the back of the all-in-one.



**Hint** If the all-in-one has no power and no lights are lit on the control panel, make sure that the power cord is attached securely to both the all-in-one and a power outlet. Also, if the power cord is connected to a power strip, make sure that the power strip is switched on, or connect the all-in-one directly to a wall outlet to test the power strip.



## Step 15: Set the control-panel-display language and location (if necessary)

If prompted by the control panel, select your language and location. Follow the instructions on the control panel.



---

**NOTE** The all-in-one automatically restarts after you select the location.

---

## Step 16: Test the hardware setup by printing a configuration report

1. Press **Menu**.
2. Use the < or the > button to select **Reports**, and then press ✓.
3. Use the < or the > button to select **Config report**, and then press ✓.



---

**Hint** If the page that prints is totally blank, remove the print cartridge, make sure that the sealing tape is removed (see step 10), reinstall the print cartridge, and then try printing the page again.

---

## Step 17: Test the copier by using the automatic document feeder (ADF)

1. Load the configuration report that you just printed print-side up into the ADF input tray.



2. Adjust the media guides to sit against the page.
3. Press **Start Copy**.



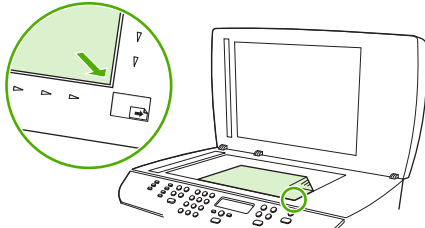
---

**Hint** If the copy job produces a blank page, make sure that the original is loaded print-side up and that no jams exist in the ADF and paper path. For information about removing jams and other troubleshooting tips, see the online User Guide.

---

## Step 18: Test the copier by using the flatbed scanner.

1. Open the scanner lid, place the configuration report print-side down on the flatbed scanner, and then close the scanner lid.



2. Press **Start Copy**.



---

**Hint** If the copy job produces a blank page, make sure that the original is loaded print-side down on the flatbed scanner and that no jams exist in the paper path. For information about removing jams and other troubleshooting tips, see the online User Guide.

---

## Step 19: Complete the hardware setup

If you are using the all-in-one as a standalone copier, the setup is complete. If you are using the all-in-one as a standalone fax, go to step 22 to complete the setup. To install the software, go to step 20 for Windows or step 21 for Macintosh.

## Step 20: Connect to a Windows computer (Windows only)

The all-in-one software supports a full-featured installation for Windows 2000 and XP. Only print and scan functions are supported for Windows 98, Me, and Server 2003.



---

**NOTE** To connect to a Macintosh computer, go to step 22.

---

1. Close all programs that are running on the computer.
2. Insert the software CD-ROM into the CD drive. If the installation program does not begin automatically, click **Start**, click **Run**, click **Browse**, select the **HPSetup.exe** file on the CD, and then click **OK**.



---

**NOTE** You must have administrative privileges to install the software for Windows XP or Windows 2000.

---

3. Select **Install HP LaserJet software**.
4. In the Printer Connection Wizard, select a connection type.
5. For USB connections, the software prompts you to connect the all-in-one to a computer. For network connections, connect the network cable to the network before proceeding.
6. Follow the onscreen instructions to install the software. When prompted, select the **Typical** installation type.

## Step 21: Connect to a Macintosh computer (Mac OS X V10.3 and 10.4 only)

1. Connect the USB cable (A/B) to the Macintosh, or connect the network cable to the all-in-one.
2. Close all of the programs that are running on the computer. 3) Insert the software CD-ROM into the CD drive.
3. Insert the software CD-ROM into the CD drive.
4. In the CD folder, double-click the **HP All-in-One Installer** icon.
5. Follow the onscreen instructions, and then click **Install**.
6. When prompted, restart the computer.
7. When the HP All-in-One Setup Assistant starts, follow the instructions.

## Step 22: Fax setup (HP LaserJet 3055 all-in-one only)

If you installed the all-in-one software, the HP LaserJet Fax Setup Utility (Windows) or Setup Assistant (Mac) automatically runs. The software prompts you to set the time, date and fax header. In many countries/regions, this is a legal requirement.



---

**Hint** If the utility does not run automatically, access it in the program group.

---

If you are using the all-in-one as a standalone fax, complete the following steps:

1. Press **Menu**.
2. Use the **<** or the **>** button to select **System Setup**, and then press **✓**.
3. Use the **<** or the **>** button to select **Time/Date**. Press **✓**.
4. Use the **<** or the **>** button to select the 12-hour clock or 24-hour clock, and then press **✓**.
5. Use the alphanumeric buttons to enter the current time.
6. Complete one of the following:
  - For the 12-hour clock, use the **<** or the **>** button to move past the fourth character. Select **1** for a.m. or **2** for p.m. Press **✓**.
  - For the 24-hour clock, press **✓**.
7. Use the alphanumeric buttons to enter the current date. Use two digits to specify the month, day, and year. Press **✓**.
8. Use the **<** or the **>** button to select **Fax setup**, then press **✓**.
9. Use the **<** or the **>** button to select **Fax Header**, then press **✓**.
10. Use the alphanumeric buttons to enter your fax number and your company name or header, and then press **✓**.



---

**NOTE** The maximum number of characters for the fax number is 20; it is 40 for the company name.

---



---

**NOTE** For complete information about using the fax features, including how to set up fax features to work with telephone services such as voice mail, see the online User Guide.

---

## Step 23: Test the software installation.

Print a page from any program to make sure that the software is correctly installed. If the installation failed, reinstall the software. If the reinstallation fails, go to step 26.

## Step 24: Register the all-in-one

Register at <http://www.register.hp.com> to receive free all-in-one updates and information that is relevant to you, including driver or software update notifications, all-in-one support alerts, and tips for using your HP all-in-one.

## Step 25: Program the Scan To button (Windows only)

1. Click **Start**, click **All Programs** or **Programs**, and then click **HP**. Click **HP LaserJet 3050/3052/3055/3090 all-in-one**, and then click **Scan**.
2. Click **Setup**.
3. Select **Change the destinations that show up on the all-in-one control panel when I press the Scan To button**, and click **Next**.
4. Select **Allow me to scan by pressing the Scan To button on the all-in-one....**
5. Move the destinations from the **PC** window to the **All-in-one** window.
6. Click **Update**. See the online User Guide for complete information.

## Step 26: Use the HP ToolboxFX software to set device settings (Windows only)

1. Click **Start**, click **All Programs** or **Programs**, and then click **HP**. Click **HP LaserJet 3050/3052/3055/3090 all-in-one**, and then click **HP LaserJet ToolboxFX**.
2. Use the software to set the device settings. See the online User Guide for complete information.



---

**NOTE** The HP ToolboxFX software does not support Macintosh operating systems.

---

## Step 27: Support information

For customer support, see <http://www.hp.com/support/lj3052> or <http://www.hp.com/support/lj3055>, or see the support flyer for more information.

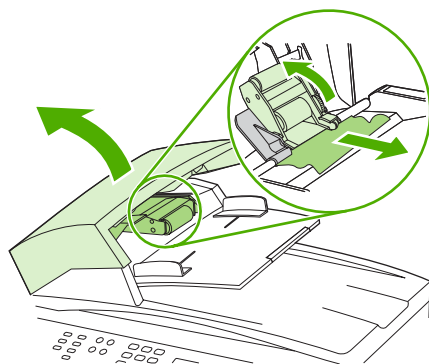
## Congratulations!

The all-in-one is ready to use. See the online User Guide or use the HP ToolboxFX software (Windows 2000 or XP only) to solve problems. The following sections provide tips for using the all-in-one.

## Tips for using the all-in-one

### Clearing ADF jams

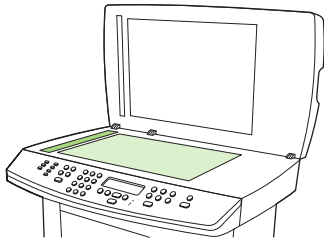
1. Open the ADF door.
2. Lift up the pickup roller.



3. Carefully remove the jammed media without damaging the all-in-one.
4. Return the pickup roller to its original position and close the ADF door. See the online User Guide for complete information.

## Preventing streaks and spots on scans and copies

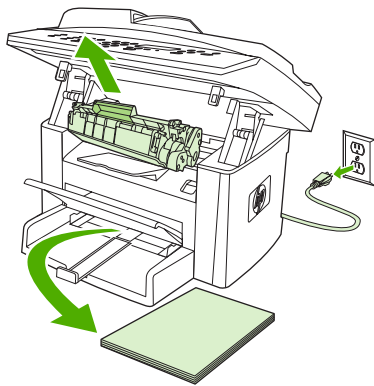
1. Open the scanner lid.
2. Clean the scanner glass and the scanner strip with a soft sponge or cloth that has been moistened with a nonabrasive cleaner.



3. Dry the glass with a chamois or cellulose sponge. See the online User Guide for complete information.

## Clearing print jams

1. Unplug the all-in-one.
2. Remove the print cartridge.
3. Remove all media from tray 1.



4. Remove all jammed media. See the online User Guide for complete information.









© 2006 Hewlett-Packard Development Company, L.P.

[www.hp.com](http://www.hp.com)



Q6502-90902