




HP Pavilion Media Center TV PC
Quick Setup



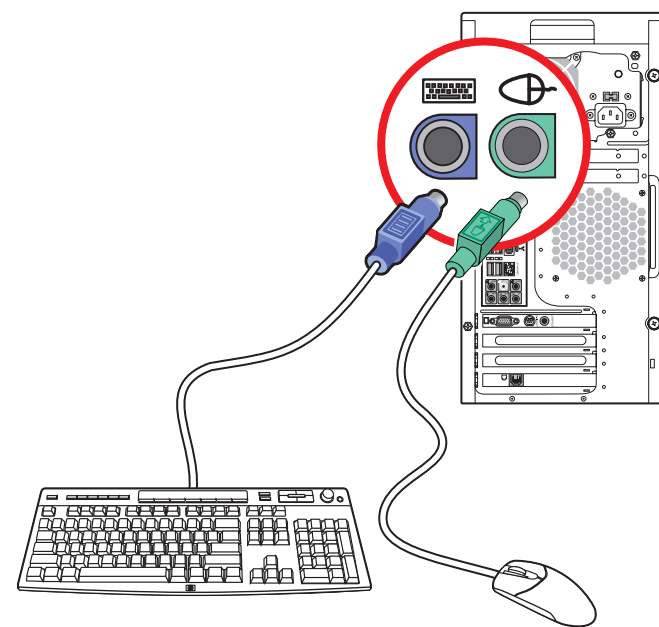
Your PC may look different from the ones shown here. Component, connector location, type, and number vary by model.

Copyright © 2004–2006 Hewlett-Packard Development Company, L.P.
Printed in
www.hp.com

5 9 9 1 - 4 3 8 4

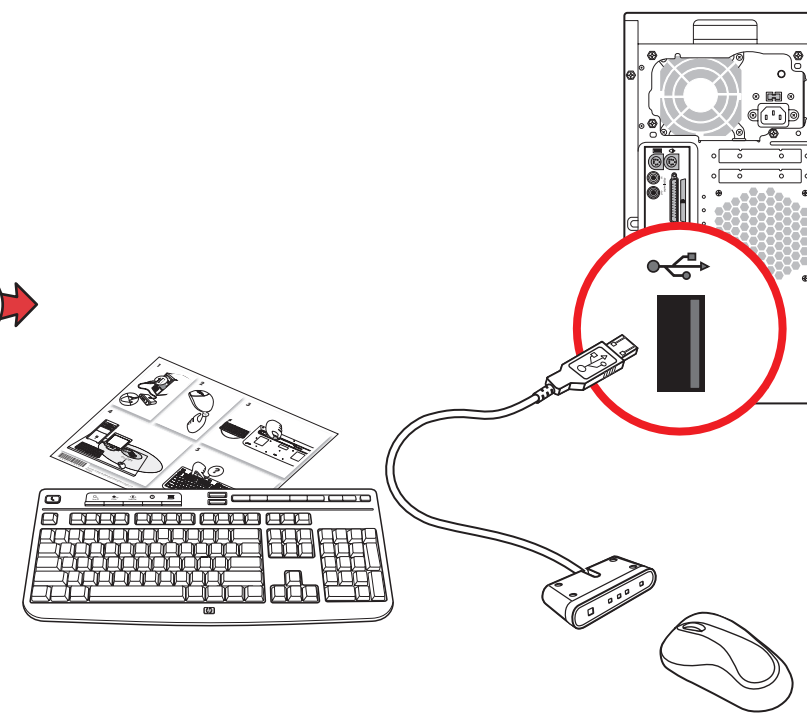
1 Keyboard and Mouse



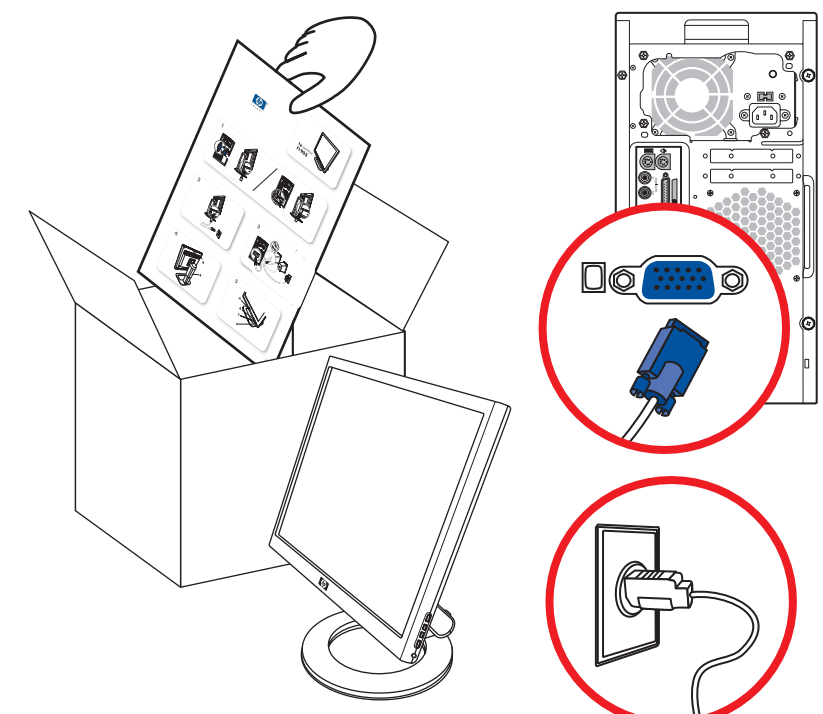
or

Wireless option

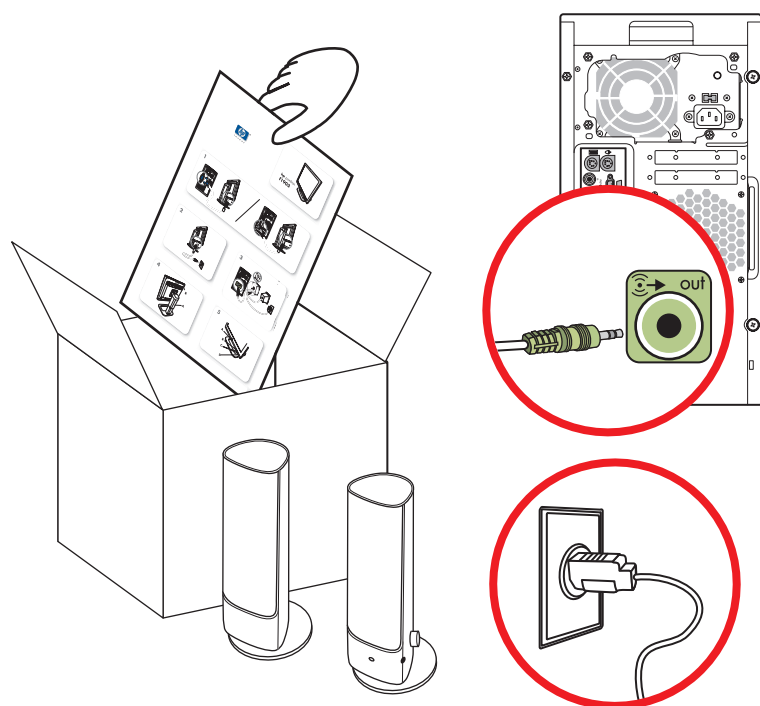
Refer to the installation instructions included with your keyboard and mouse.



2 Monitor Refer to setup instructions that came with your monitor. Monitors may be sold separately.

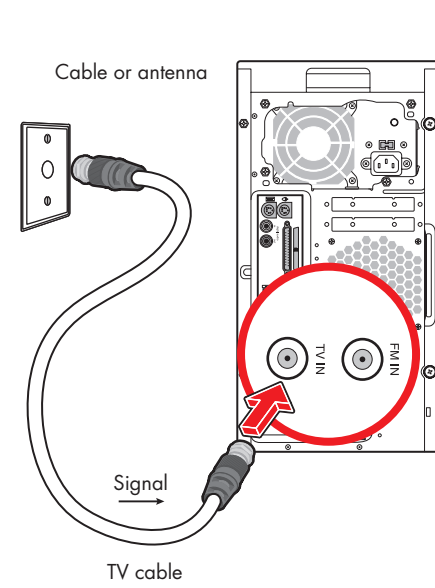


3 Speaker System Refer to the instructions that came with your speakers. Speakers may be sold separately.

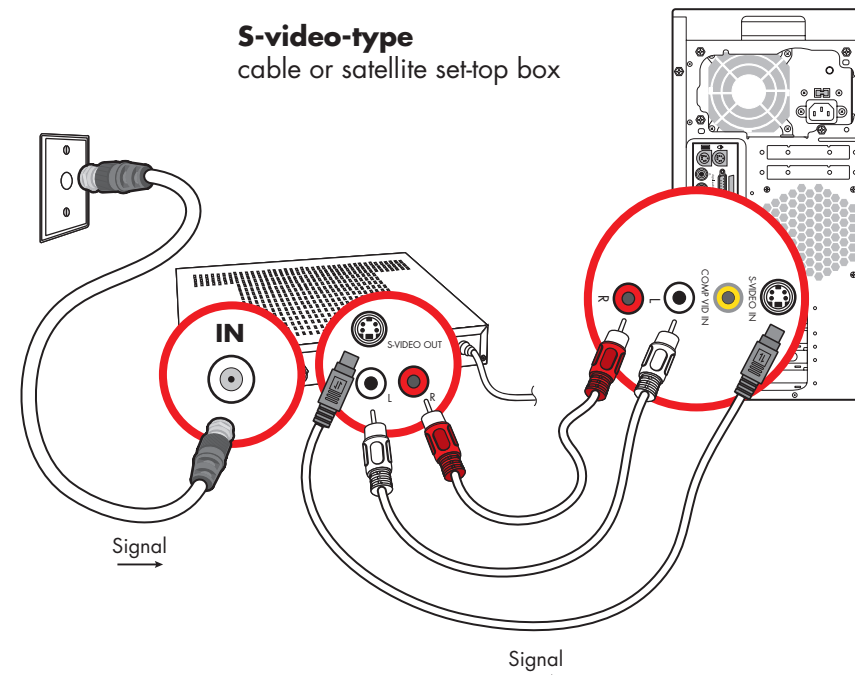


4 TV In Connect TV signal to computer

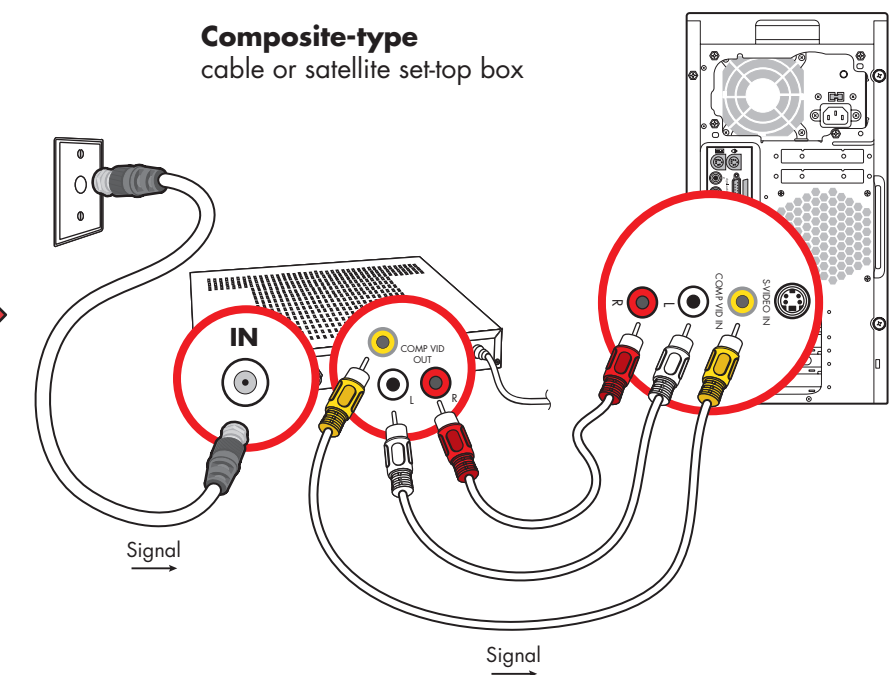
If you use a cable or satellite set-top box, pass the signal through the box.



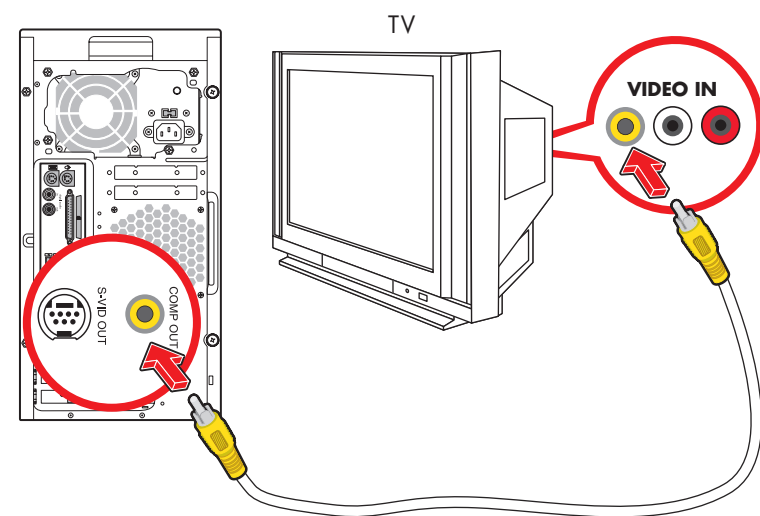
or



or

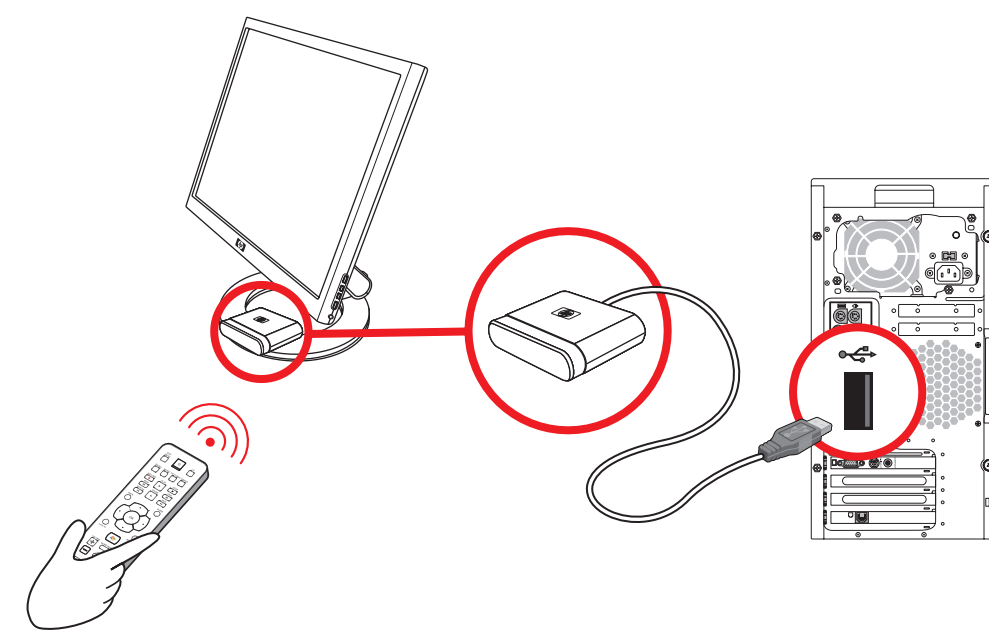


5 TV Out (TV connections are optional)
TV signal from computer to TV



See the user documentation for TV display setup.

6 Remote Sensor
Connect remote control receiver to computer.



or

