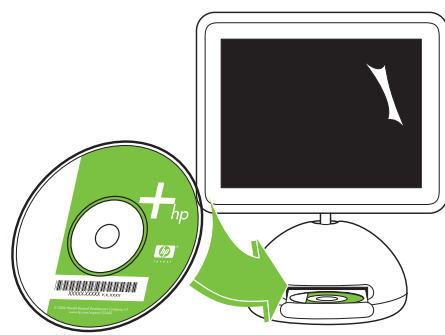


8b Macintosh USB

- Install software and reboot computer • Instalirajte softver i ponovo pokrenite računalo • Εγκαταστήστε το λογισμικό και επανεκκινήστε τον υπολογιστή
- Utilizați Print Center pentru adăugarea imprimantei USB • Pomocou aplikácie Print Center (Tlačové centrum) pridajte USB tlačiareň • Dodajte tiskalnik USB s programsko opremo Print Center

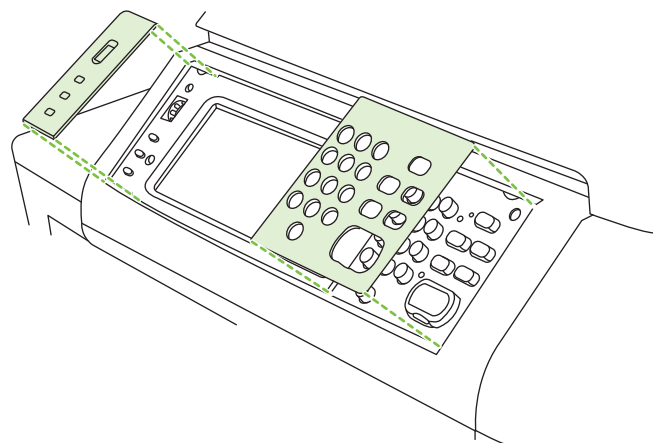


8c Macintosh USB

- Use Print Center to add USB printer • Uz pomoć Print Centra instalirajte USB pišač • Χρησιμοποιήστε το Print Center για να προσθέσετε τον εκτυπωτή USB
- Utilizați Print Center pentru adăugarea imprimantei USB • Pomocou aplikácie Print Center (Tlačové centrum) pridajte USB tlačiareň • Dodajte tiskalnik USB s programsko opremo Print Center

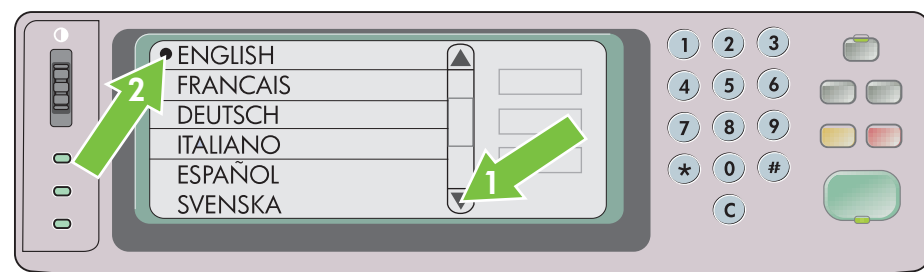
- Finished
- Instalacija završena
- Η διαδικασία έχει ολοκληρωθεί
- Gata
- Ukončené
- Namestitev je končana

9



10

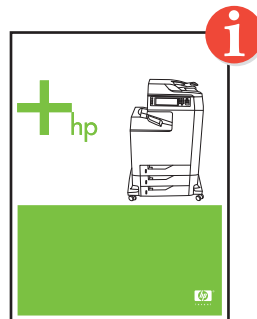
- Change display language (optional)
- Promijenite jezik prikaza (nije obavezno)
- Αλλάξτε τη γλώσσα παρουσίασης (προαιρετικό)
- Modificajti limba afișajului (opțional)
- Zmena jazyka displeja (voliteľné)
- Spremenite jezik na zaslonu (izbirno)



- Set date and time (optional)
- Postavite datum i vrijeme
- Ρυθμίστε την ημερομηνία και την ώρα (προαιρετικό)
- Setajti data și ora (opțional)
- Nastavte dátum a čas (voliteľné)
- Nastavite datum in uro (izbirno)

11

- For networking information
- Za informacije o umrežavanju
- Για πληροφορίες δικτύου
- Informații despre rețea
- Informácie o zapojení do siete
- Informacije o omrežju



Additional information

See the electronic User Guide on the CD-ROM that came with the printer for more information about the following topics.

- Troubleshooting information
- Important safety notices
- Regulatory information
- Detailed user instructions

This information is also available at <http://www.hp.com/support/clj4730>

Dodatne informacije

Više informacija o sljedećim temama potražite u elektroničkom Vodiču za korisnika na CD-ROM-u koji se isporučuje s pišačem.

- Informacije za otklanjanje poteškoća
- Važne sigurnosne informacije
- Informacije o zakonskim propisima
- Detaljne upute za korisnika

Ove su informacije dostupne i na adresi <http://www.hp.com/support/clj4730>

Συμπληρωματικές πληροφορίες

Για περισσότερες πληροφορίες σχετικά με τα ακόλουθα θέματα ανατρέξτε στον ηλεκτρονικό Οδηγό Χρήσης στο CD-ROM που συνοδεύει τον εκτυπωτή.

- Πληροφορίες αντιμετώπισης προβλημάτων
- Σημαντικές οδηγίες ασφαλείας
- Πληροφορίες περί κανονισμών
- Λεπτομερείς οδηγίες χρήστη

Οι πληροφορίες αυτές διατίθενται και στη διεύθυνση <http://www.hp.com/support/clj4730>

HP Color LaserJet 4730mfp



Start
Pokretanje
Έναρξη
Start
Začínanie
Začetek



© 2005 Hewlett-Packard Development Company, L.P.

www.hp.com

Copyright Information

© 2005 Copyright Hewlett-Packard Development Company, L.P.
Reproduction, adaptation or translation without prior written permission is prohibited, except as allowed under the copyright laws.

The information contained herein is subject to change without notice.

The only warranties for HP products and services are set forth in the express warranty statements accompanying such products and services. Nothing herein should be construed as constituting an additional warranty. HP shall not be liable for technical or editorial errors or omissions contained herein.

Edition 1, 9/2005

FCC regulations

This equipment has been tested and found to comply with the limits for a Class A digital device, pursuant to Part 15 of the FCC Rules. These limits are designed to provide reasonable protection against harmful interference when the equipment is operated in a commercial environment. This equipment generates, uses and can radiate radio frequency energy and, if not installed and used in accordance with the instruction manual, may cause harmful interference to radio communications. Operation of this equipment in a residential area is likely to cause harmful interference, in which case the user will be required to correct the interference at his own expense. The end user of this product should be aware that any changes or modifications made to this equipment without the approval of Hewlett-Packard could result in the product not meeting the Class A limits, in which case the FCC could void the user's authority to operate the equipment.

Informații suplimentare

Pentru informații suplimentare despre următoarele subiecte, consultați ghidul electronic al utilizatorului, de pe CD-ul livrat împreună cu imprimanta.

- Informații despre depanare
- Note importante despre siguranță
- Informații despre norme
- Instrucțiuni detaliate pentru utilizator

Aceste informații sunt disponibile și la adresa <http://www.hp.com/support/clj4730>

Ďalšie informácie

Viac informácií o nasledujúcich témach nájdete v elektronickej používateľskej príručke na disku CD-ROM dodávanom s tlačiarňou.

- Informácie o riešení problémov
- Dôležité bezpečnostné upozornenia
- Informácie o predpisoch
- Podrobné pokyny pre používateľa

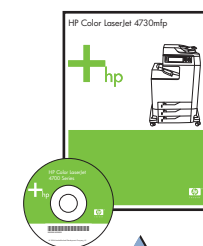
Tieto informácie sú tiež k dispozícii na adrese <http://www.hp.com/support/clj4730>

Dodatne informacije

V elektronskem uporabniškem priložniku na CD-ROM-u, ki je priložen tiskalniku, dobite več informacij o naslednjih temah:

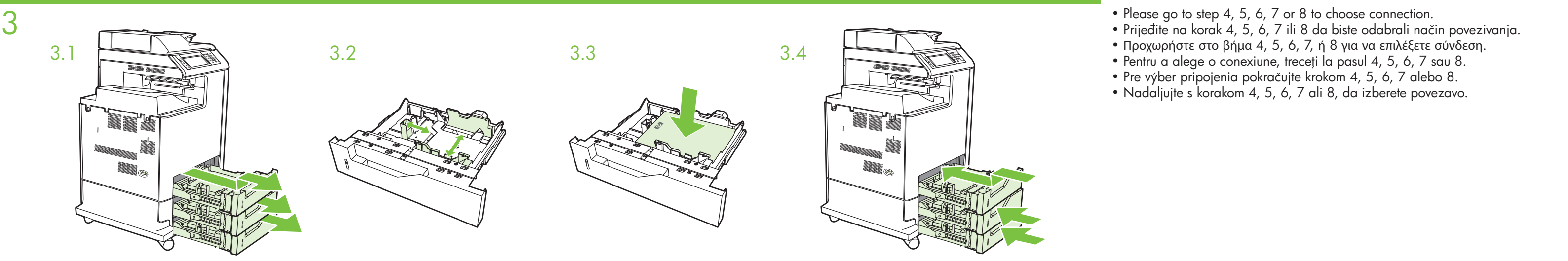
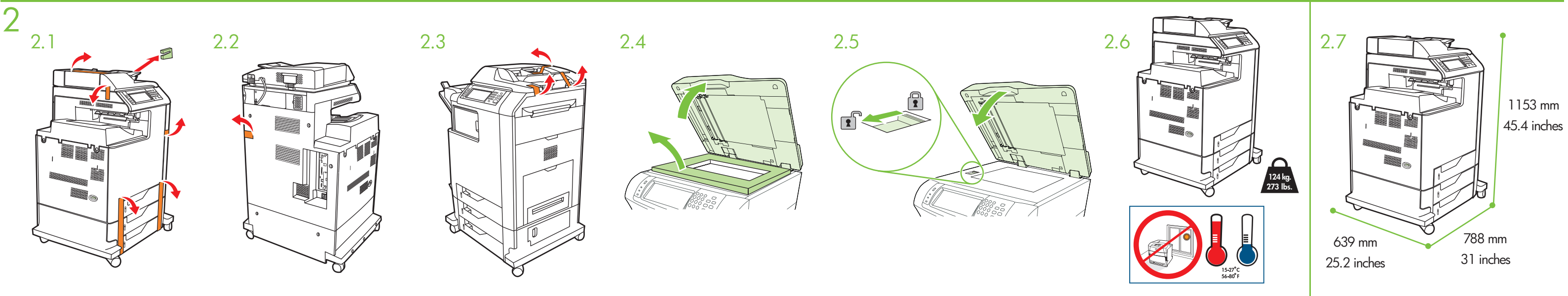
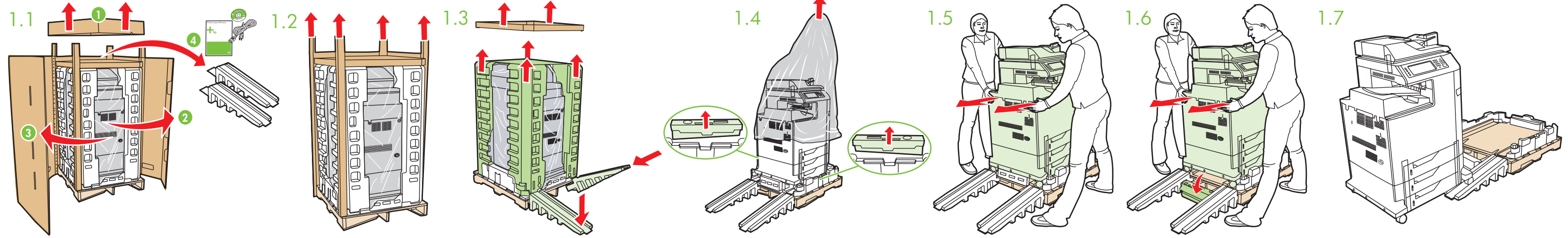
- informacije za odpravljanje težav,
- pomembna varnostna obvestila,
- informacije o predpisih,
- podrobna uporabniška navodila.

Informacije so na voljo tudi na spletni strani www.hp.com/support/clj2600n.



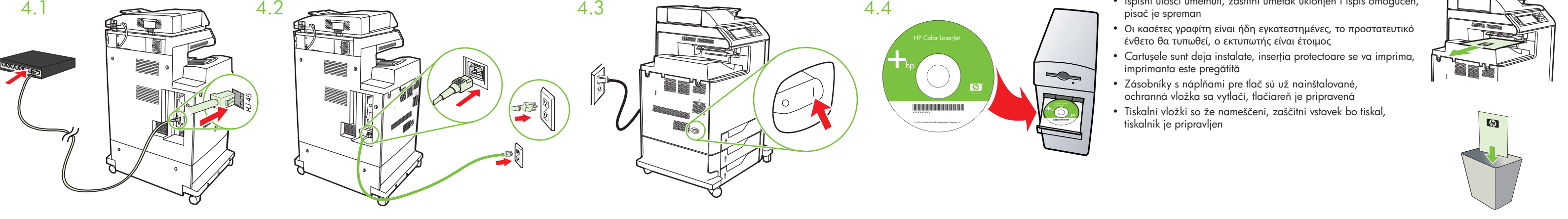
www.hp.com/support/clj4730

- 1**
- Install in a well-ventilated, dust-free area
 - Instalirajte u dobro prozračivanom prostoru u kojem nema prašine
 - Εγκαταστήστε το προϊόν σε χώρο με καλό εξαερισμό, χωρίς σκόνη
 - Instalajti într-un loc bine aerisit, fără praf
 - Zariadenie inštalujte v dobre vetranom, bezprašnom priestore
 - Nameštite v dobro prezračen prostor brez prahu



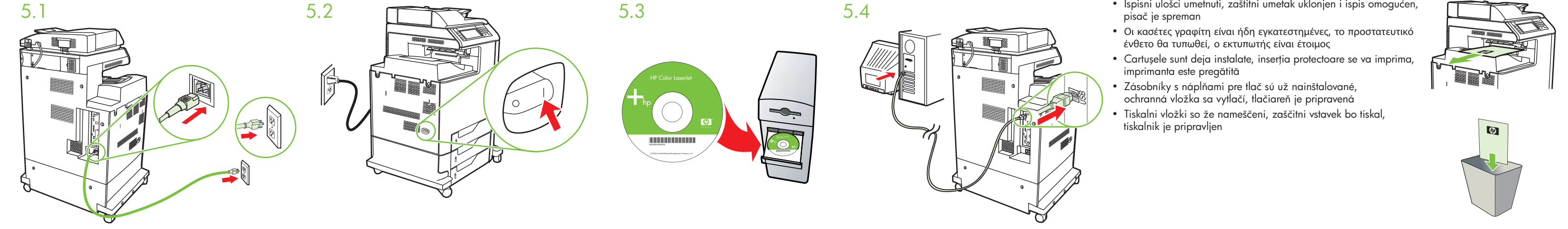
- Please go to step 4, 5, 6, 7 or 8 to choose connection.
- Prijedite na korak 4, 5, 6, 7 ili 8 da biste odabrali način povezivanja.
- Προχωρήστε στο βήμα 4, 5, 6, 7, ή 8 για να επιλέξετε σύνδεση.
- Pentru a alege o conexiune, treceti la pasul 4, 5, 6, 7 sau 8.
- Pre výber pripojenia pokračujte krokom 4, 5, 6, 7 alebo 8.
- Nadaljujte s korakom 4, 5, 6, 7 ali 8, da izberete povezavo.

4 Ethernet (RJ-45)



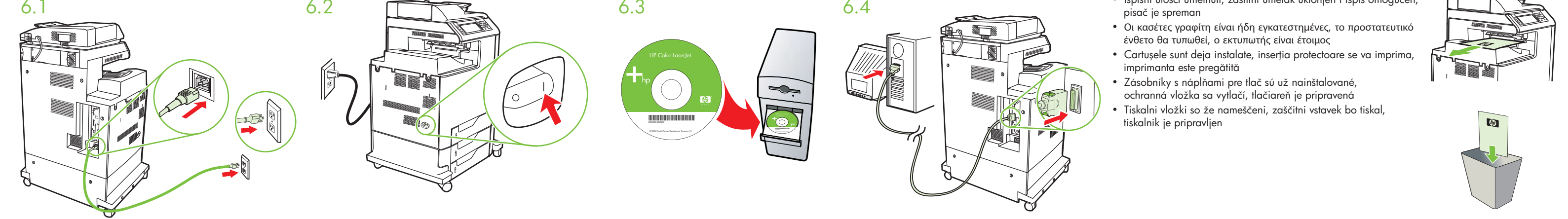
- Cartridges already installed, protective insert will print, printer is ready
- Ispisni ulošci umetnuti, zaštitni umetak uklonjen i ispis omogućen, pišać je spreman
- Οι κασέτες γραφίτη είναι ήδη εγκατεστημένες, το προστατευτικό ένθετο θα τυπωθεί, ο εκτυπωτής είναι έτοιμος
- Cartușele sunt deja instalate, inserția protectoare se va imprima, imprimanta este pregătită
- Zásobníky s náplňami pre tlač sú už nainštalované, ochranná vložka sa vytlačí, tlačiareň je pripravená
- Tiskalni vložki so že nameščeni, zaščitni vstavek bo tiskal, tiskalnik je pripravljen

5 USB



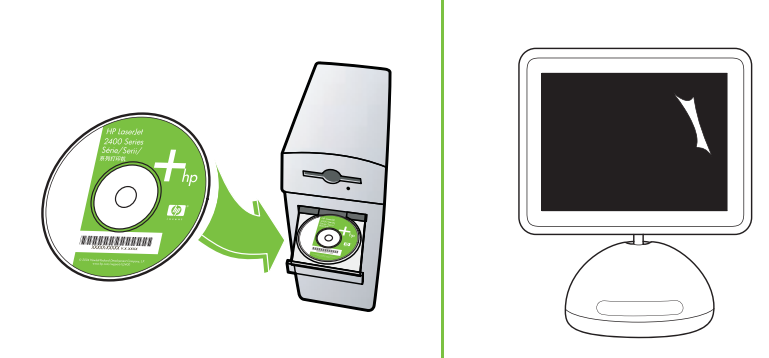
- Cartridges already installed, protective insert will print, printer is ready
- Ispisni ulošci umetnuti, zaštitni umetak uklonjen i ispis omogućen, pišać je spreman
- Οι κασέτες γραφίτη είναι ήδη εγκατεστημένες, το προστατευτικό ένθετο θα τυπωθεί, ο εκτυπωτής είναι έτοιμος
- Cartușele sunt deja instalate, inserția protectoare se va imprima, imprimanta este pregătită
- Zásobníky s náplňami pre tlač sú už nainštalované, ochranná vložka sa vytlačí, tlačiareň je pripravená
- Tiskalni vložki so že nameščeni, zaščitni vstavek bo tiskal, tiskalnik je pripravljen

6 IEEE-1284-C



- Cartridges already installed, protective insert will print, printer is ready
- Ispisni ulošci umetnuti, zaštitni umetak uklonjen i ispis omogućen, pišać je spreman
- Οι κασέτες γραφίτη είναι ήδη εγκατεστημένες, το προστατευτικό ένθετο θα τυπωθεί, ο εκτυπωτής είναι έτοιμος
- Cartușele sunt deja instalate, inserția protectoare se va imprima, imprimanta este pregătită
- Zásobníky s náplňami pre tlač sú už nainštalované, ochranná vložka sa vytlačí, tlačiareň je pripravená
- Tiskalni vložki so že nameščeni, zaščitni vstavek bo tiskal, tiskalnik je pripravljen

7 LAN



- Macintosh
- Use Print Center to add Rendezvous Printer
 - Uz pomoć Print Centra instalirajte pišać Rendezvous
 - Χρησιμοποιήστε το Print Center για να προσθέσετε τον εκτυπωτή Rendezvous
 - Utilizați Print Center pentru adăugarea imprimantei Rendezvous
 - Pomocou aplikácie Print Center (Tlačové centrum) pridajte tlačiareň Rendezvous
 - Dodajte tiskalnik Rendezvous s programsko opremo Print Center

8a Macintosh USB

- Connect USB cable to printer and computer
- Spojite USB kabel s pišaćem i računalom
- Συνδέστε το καλώδιο USB με τον εκτυπωτή και τον υπολογιστή
- Conectajti cablul USB la imprimantă și la computer
- Pripojite kábel USB k tlačiarňi a počítaču
- Priključite kabel USB na tiskalnik in računalnik

