

Drives

Document Part Number: 396846-001

March 2006

This guide explains the computer hard drive and optical disc drive.

Contents

1 Drive care

2 IDE drive light

3 Hard drive

HP Mobile Data Protection with Digital Accelerometer	3-1
HP Mobile Data Protection status	3-2
HP Mobile Data Protection software.	3-3
Replacing the hard drive	3-4

4 Optical drives

Using optical discs	4-1
Inserting an optical disc.	4-3
Removing an optical disc (with power).	4-4
Removing an optical disc (without power)	4-5
Avoiding standby or hibernation.	4-6

1

Drive care

Drives are fragile computer components that must be handled with care. The following cautions apply to all drives. Additional cautions are included with the procedures to which they apply.



CAUTION: To reduce the risk of damage to the computer, damage to a drive, or loss of information, observe these precautions:

- Initiate standby and allow the display to turn off before you move a computer or external hard drive from one location to another.
 - Before handling a drive, discharge static electricity by touching the unpainted metal surface of the drive.
 - Do not touch the drive connector pins on a removable drive or on the computer.
 - Handle the drive carefully; do not drop or compress the drive.
 - Before removing or inserting a drive, shut down the computer. If you are unsure whether the computer is off or in hibernation, turn the computer on, and then shut it down through the operating system.
 - Do not use excessive force when inserting a drive into a drive bay.
 - Do not type on the keyboard or move the computer when the drive is writing to a medium. The write process is sensitive to vibration.
 - When the battery pack is the only source of power, ensure that the battery pack is sufficiently charged before writing to a medium.
 - Avoid exposing a drive to temperature or humidity extremes.
 - Avoid exposing a drive to liquids. Do not spray it with cleaning products.
 - Remove the medium from a drive before removing the drive from the drive bay, or traveling with, shipping, or storing a drive.
 - If a drive must be mailed, place the drive in a bubble-pack mailer or other suitable protective packaging and label the package "FRAGILE."
 - Avoid exposing a drive to magnetic fields. Security devices with magnetic fields include airport walk-through devices and security wands. The airport security devices that check carry-on luggage, such as conveyor belts, use x-rays instead of magnetism and will not damage a drive.
-

2

IDE drive light

The IDE drive light blinks when either the primary hard drive or an optical drive is being accessed.



HP Mobile Data Protection with Digital Accelerometer

HP Mobile Data Protection with digital accelerometer protects your disk drive by parking the drive and halting I/O requests when you

- Drop your computer.
- Move your computer with the display closed while running on battery power.

A short time after the end of one of these events, HP Mobile Data Protection returns the disk drive to normal operation.




Only the primary internal disk drive is protected by HP Mobile Data Protection. Disk drives that are connected to a USB port or in an optional docking station are not protected.

For more information, refer to the HP Mobile Data Protection online Help.

HP Mobile Data Protection status

An icon in the notification area of your computer indicates whether the drives are currently protected and whether the drive is parked. If HP Mobile Data Protection is disabled, a red X is superimposed over the icon. In addition, the IDE drive light on your computer changes to an amber color to show that the drive is parked.

If HP Mobile Data Protection has parked the drive, your computer

- Will not shut down.
- Will not initiate standby or hibernation.
 -  If your computer is running on battery power and reaches a critical low-battery condition, HP Mobile Data Protection allows the computer to initiate hibernation.
- Will not activate battery alarms set on the Alarms tab in Power Options Properties.

HP recommends that you wait for your computer to completely shut down or initiate standby or hibernation before you move it.

HP Mobile Data Protection software

The HP Mobile Data Protection software enables you to

- Enable and disable HP Mobile Data Protection.
- Hide or show the icon in the notification area.
- Determine whether a drive in the system is supported.

To open the software and change settings:

1. Double-click the icon in the notification area.

– or –

Right-click the icon in the notification area, and then select **Settings**.

2. Click the appropriate button to change settings.
3. Click **OK**.

Replacing the hard drive



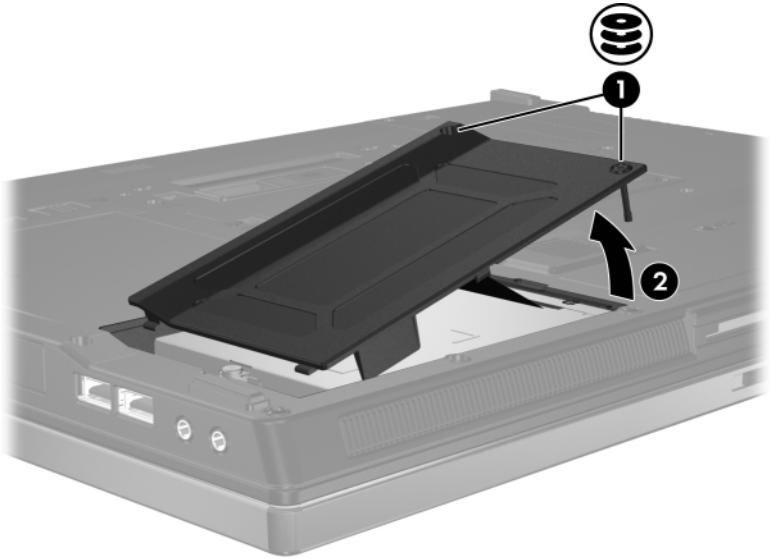
CAUTION: To prevent system lockup and loss of information:

- Shut down the computer before removing the hard drive from the hard drive bay. Do not remove the hard drive while the computer is on, in standby, or in hibernation.
 - If you are not sure whether the computer is off or in hibernation, turn the notebook on by pressing the power/standby button. Then shut down the computer through the operating system.
-

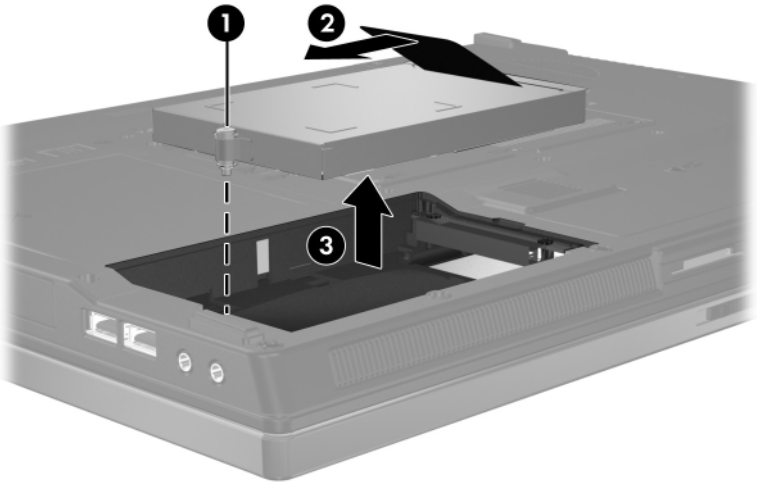
To remove the hard drive:

1. Save your work.
2. Shut down the computer and close the display.
If you are not sure whether the computer is off or in hibernation, turn the computer on by pressing the power button. Then shut down the computer through the operating system.
3. Disconnect all external devices connected to the computer.
4. Unplug the power cord from the AC outlet.
5. Turn the computer upside down.
6. Remove the battery pack from the computer.

7. With the hard drive bay toward you, loosen the 2 hard drive cover screws **1**.
8. Lift the hard drive cover away from the computer **2**.

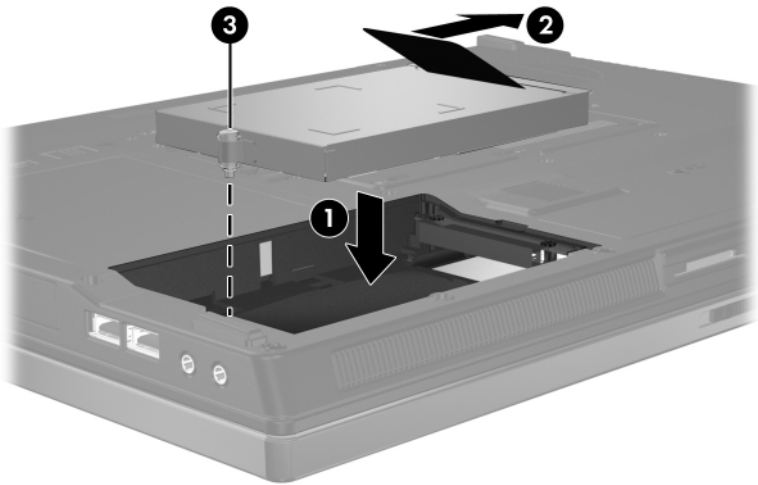


9. Loosen the hard drive screw **1**.
10. Pull the hard drive tab **2** to the left to disconnect the hard drive.
11. Lift the hard drive **3** from the computer.

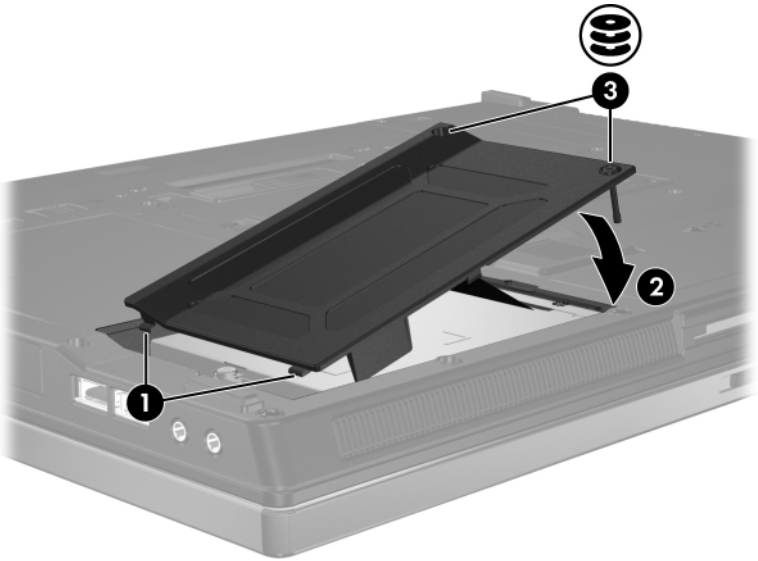


To install a hard drive:

1. Insert the hard drive into the hard drive bay on the bottom of the computer ❶.
2. Pull the hard drive tab ❷ to the right to connect the hard drive.
3. Tighten the hard drive screw ❸.



4. Align the tabs **1** on the hard drive cover with the notches on the computer.
5. Close the cover **2**.
6. Tighten the hard drive cover screws **3**.



Optical drives

Using optical discs

An *optical drive*, such as a DVD-ROM drive, supports optical discs (DVDs and CDs). These discs are used to store or transport information and to play music and movies. DVDs have a higher capacity than CDs.

The computer can read or write to optical drives as described in the following table.


Type of Optical Drive	Read CD and DVD-ROM	Write to CD-RW	Write to DVD±RW/R	Write to DVD±R W DL	Write label to LightScribe CD or DVD±RW/R
DVD-ROM Drive	Yes	No	No	No	No
DVD/CD-RW Combo Drive	Yes	Yes	No	No	No
DVD±RW/R Drive and CD-RW Combo Drive	Yes	Yes	Yes	No	No
DVD±RW and CD-RW Combo Drive with Double Layer support	Yes	Yes	Yes	Yes	No
LightScribe DVD±RW and CD-RW Combo Drive with Double Layer support	Yes	Yes	Yes	Yes	Yes



Some of the optical drives listed may not be supported by the computer. The listed drives are not necessarily all of the supported optical drives.

Inserting an optical disc


1. Turn on the computer.
2. Press the release button **1** on the drive bezel to release the media tray.
3. Pull out the tray **2**.
4. Hold the CD or DVD by the edges to avoid touching the flat surfaces and position the disc over the tray spindle with the label side up.

 If the tray is not fully accessible, tilt the disc carefully to position it over the spindle.

5. Gently press the disc **3** down onto the tray spindle until the disc snaps into place.




6. Close the media tray.

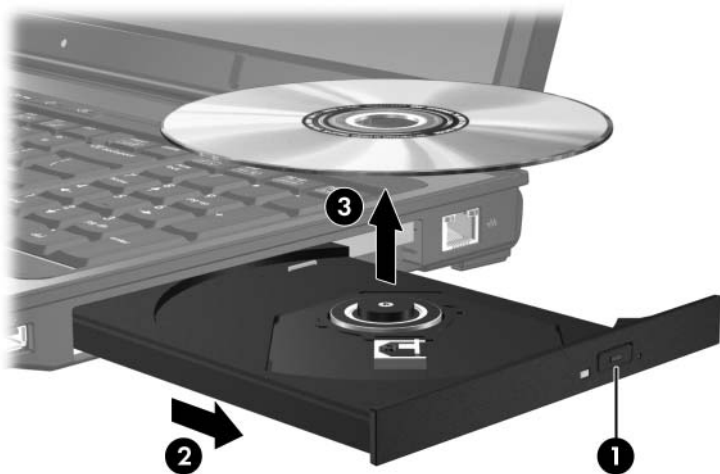
 After you insert a disc, a short pause is normal. If you have not selected a default media player, an AutoPlay dialog box opens. It prompts you to select how you want to use the media content.

Removing an optical disc (with power)

If the computer is running on external or battery power:

1. Turn on the computer.
2. Press the release button **1** on the drive bezel to release the media tray, and then pull out the tray **2**.
3. Remove the disc **3** from the tray by gently pressing down on the spindle while lifting the outer edges of the disc. Hold the disk by the edges and avoid touching the flat surfaces.

 If the tray is not fully accessible, tilt the disc carefully as you remove it.




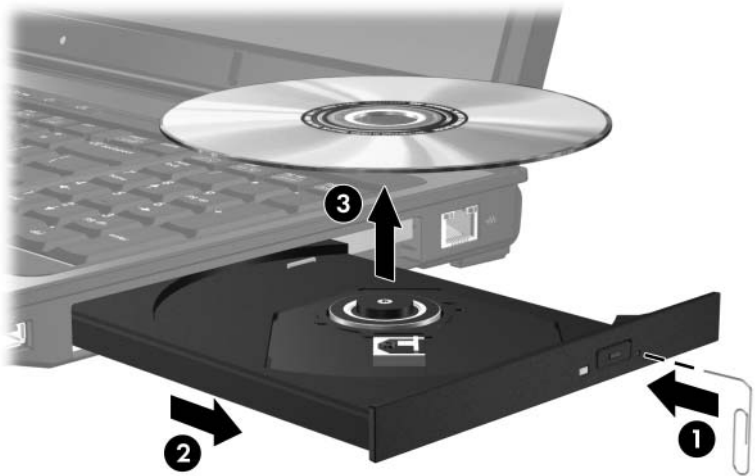
4. Close the media tray and place the disc in a protective case.

Removing an optical disc (without power)

If external or battery power is not available:

1. Insert the end of a paper clip **1** into the release access in the front bezel of the drive.
2. Press gently until the media tray is released, and then pull out the tray **2**.
3. Remove the disc **3** from the tray by gently pressing down on the spindle while lifting the outer edges of the disc. Hold the disc by the edges and avoid touching the flat surfaces.

 If the tray is not fully accessible, tilt the disc carefully as you remove it.



4. Close the media tray and place the disc in a protective case.

Avoiding standby or hibernation



CAUTION: To prevent possible audio and video degradation, or loss of audio or video playback functionality, do not initiate standby or hibernation while reading or writing to a CD or DVD.

To prevent loss of information, do not initiate standby or hibernation when writing to a CD or DVD.

If standby or hibernation is accidentally initiated during playback of a drive medium (such as a CD or DVD):

- Your playback may be interrupted.
- You may see the following warning: “Putting the computer into hibernation or standby may stop the playback. Do you want to continue?” Click **No**.
- You may need to restart the CD or DVD to resume audio or video playback.

© Copyright 2006 Hewlett-Packard Development Company, L.P.

The information contained herein is subject to change without notice. The only warranties for HP products and services are set forth in the express warranty statements accompanying such products and services. Nothing herein should be construed as constituting an additional warranty. HP shall not be liable for technical or editorial errors or omissions contained herein.

Drives

First Edition March 2006

Document Part Number: 396846-001