

External Media Cards

User Guide

© Copyright 2006 Hewlett-Packard
Development Company, L.P.

SD Logo is a trademark of its proprietor. Java
is a U.S. trademark of Sun Microsystems,
Inc.

The information contained herein is subject
to change without notice. The only
warranties for HP products and services are
set forth in the express warranty statements
accompanying such products and services.
Nothing herein should be construed as
constituting an additional warranty. HP shall
not be liable for technical or editorial errors
or omissions contained herein.

First Edition: May 2006

Document Part Number: 406745-001

Table of contents

1 Digital Media Slot cards	
Inserting a digital card	2
Stopping or removing a digital card	3
2 PC Cards	
Configuring a PC Card	6
Inserting a PC Card	7
Stopping or removing a PC Card	9
3 Smart cards	
Inserting a smart card	12
Removing a smart card	13
Index	15

1 Digital Media Slot cards

Optional digital cards provide secure data storage and convenient data sharing. These cards are often used with digital-media-equipped cameras and PDAs as well as with other computers.

The Digital Media Slot supports Secure Digital (SD) Memory Card formats.



CAUTION To avoid damaging the digital card or the computer, do not insert any type of adapter into the Digital Media Slot.

Inserting a digital card



CAUTION To prevent damage to the digital card connectors, use minimal force to insert a digital card.

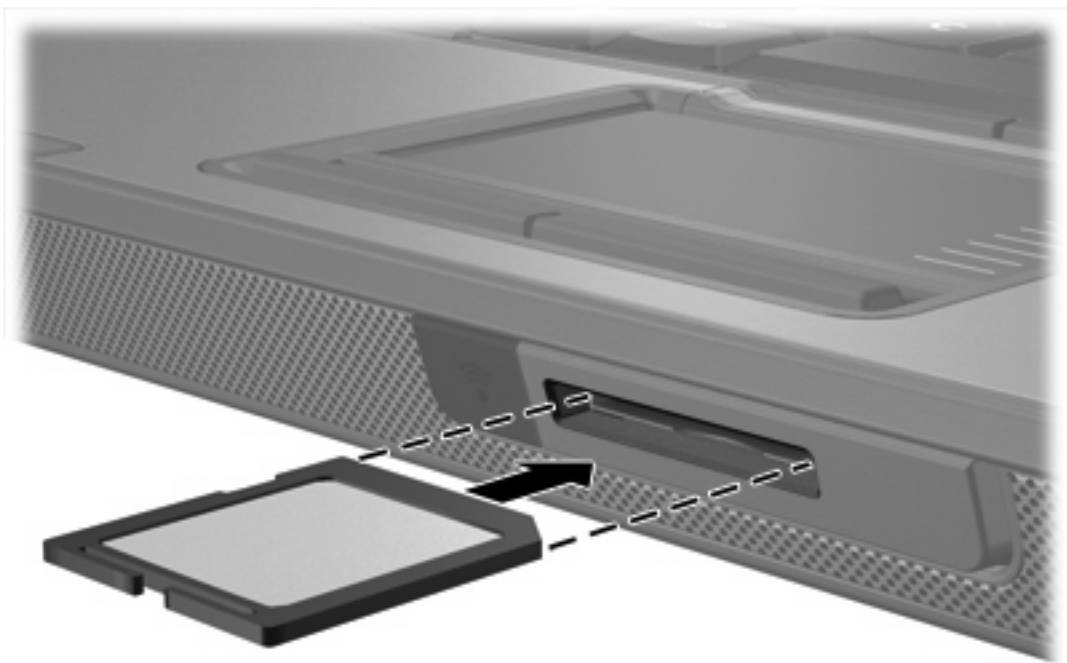
To insert a digital card:

1. Hold the digital card label-side up, with the connectors facing the computer.
2. Gently slide the card into the Digital Media Slot until the card is seated.

The operating system will issue a sound to indicate that a device has been detected.



NOTE The first time you insert a digital card, the "Found New Hardware" message is displayed in the notification area, at the far right of the taskbar.



Stopping or removing a digital card



CAUTION To prevent loss of data or an unresponsive system, stop the digital card before removing it.

To stop or remove a digital card:

1. Close all files and applications that are associated with the digital card.



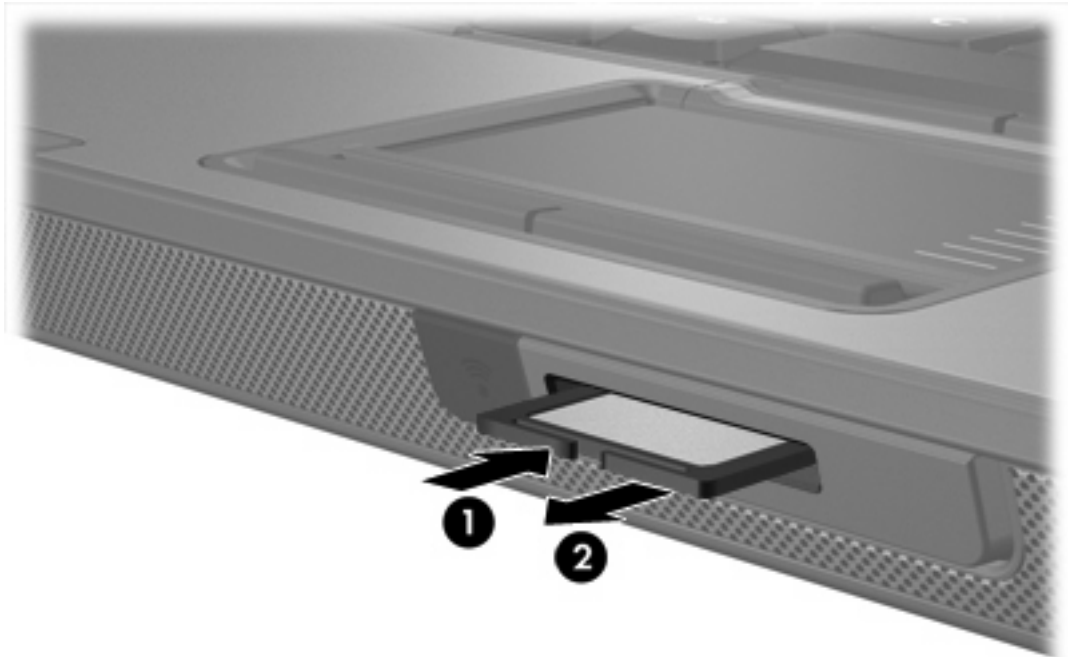
NOTE To stop a data transfer, click **Cancel** in the operating system Copying window.

2. To stop the digital card:
 - a. Double-click the **Safely Remove Hardware** icon in the notification area, at the far right of the taskbar.



NOTE To display the Safely Remove Hardware icon, click the **Show Hidden Icons** icon (< or <<) in the notification area.

- b. Click the digital card listing.
 - c. Click **Stop**.
3. To remove the card:
 - a. Gently press in on the digital card **(1)** to unlock it.
 - b. Pull the digital card **(2)** out of the slot.



2 PC Cards

Configuring a PC Card

A PC Card is a credit card-sized accessory designed to conform to the standard specifications of the Personal Computer Memory Card International Association (PCMCIA). The PC Card slot supports

- 32-bit (CardBus) and 16-bit PC Cards.
- Type I and Type II PC Cards.



NOTE Zoomed video PC Cards and 12-V PC Cards are not supported.



CAUTION To prevent loss of support for other PC Cards, install only the software required for the device. If you are instructed by the PC Card manufacturer to install device drivers:

Install only the device drivers for your operating system.

Do not install other software, such as card services, socket services, or enablers, supplied by the PC Card manufacturer.

Inserting a PC Card



CAUTION To prevent damage to the computer and external media cards, do not insert an ExpressCard into a PC Card slot.

CAUTION To prevent damage to the connectors:

Use minimal force to insert a PC Card.

Do not move or transport the computer when a PC Card is in use.

The PC Card slot may contain a protective insert. The insert must be released and then removed before you can insert a PC Card.

1. To release and remove the PC Card slot insert:
 - a. Press the PC Card eject button (1).
This action extends the button into position for releasing the insert.
 - b. Press the eject button again to release the insert.
 - c. Pull the insert out of the slot (2).



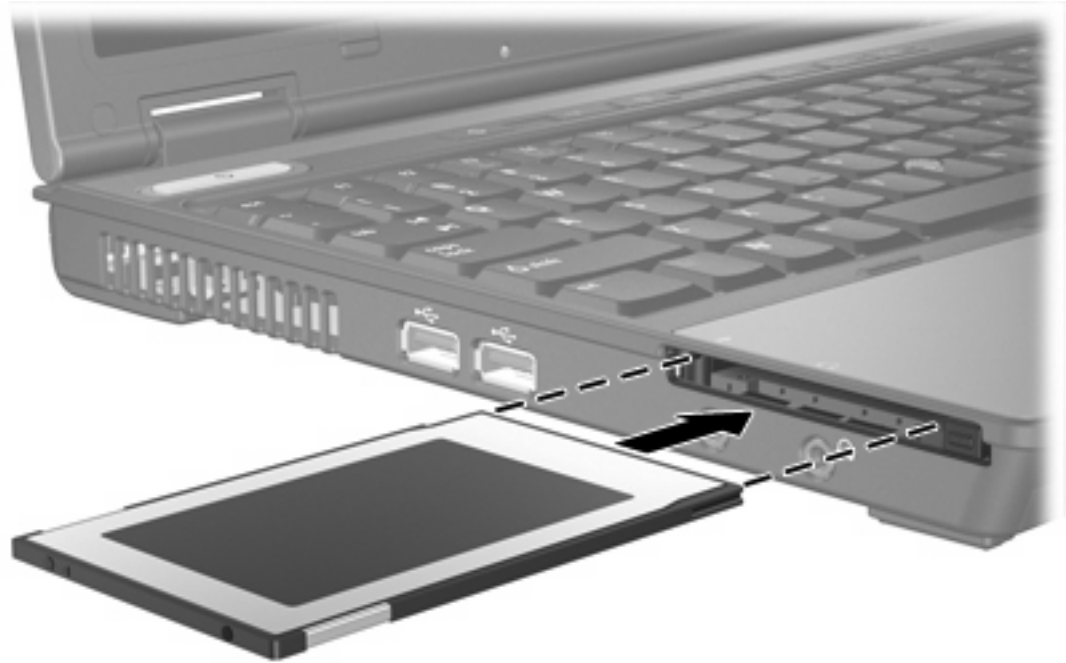
2. To insert a PC Card:
 - a. Hold the PC Card label-side up, with the connectors facing the computer.

- b. Gently slide the card into the PC Card slot until the card is seated.

The operating system will issue a sound to indicate that a device has been detected.



NOTE The first time you insert a PC Card, the "Found New Hardware" message is displayed in the notification area, at the far right of the taskbar.



Stopping or removing a PC Card



CAUTION To prevent loss of data or an unresponsive system, stop a PC Card before removing it.



NOTE An inserted PC Card uses power even when idle. To conserve power, stop or remove a PC Card when it is not in use.

To stop or remove a PC Card:

1. Close all applications and complete all activities that are associated with the PC Card.



NOTE To stop a data transfer, click **Cancel** in the operating system Copying window.

2. To stop the PC Card:

- a. Double-click the **Safely Remove Hardware** icon in the notification area, at the far right of the taskbar.



NOTE To display the Safely Remove Hardware icon, click the **Show Hidden Icons** icon (< or <<) in the notification area.

- b. Click the PC Card listing.
 - c. Click **Stop**.
3. To remove the PC Card:
 - a. Press the PC Card slot eject button **(1)**.

This action extends the button into position for releasing the PC Card.

- b. Press the eject button again to release the PC Card.

- c. Pull the card **(2)** out of the slot.



3 Smart cards



NOTE The term *smart card* is used throughout this chapter to refer to both smart cards and Java™ Cards.

A smart card is a credit card–sized accessory that carries a microchip containing memory and a microprocessor. Like personal computers, smart cards have an operating system to manage input and output, and they include security features to protect against tampering. Industry-standard smart cards are used with the smart card reader.

A personal identification number (PIN) is needed to gain access to the contents of the microchip. For more information about smart card security features, refer to the Help and Support Center.



NOTE Your computer may look slightly different from the illustrations in this chapter.

Inserting a smart card

To insert a smart card:

1. Holding the smart card label-side up, gently slide the card into the smart card reader until the card is seated.



2. Follow the on-screen instructions for logging on to the computer using the smart card PIN.

Removing a smart card

To remove a smart card:

- ▲ Grasp the edge of the smart card, and pull it out of the smart card reader.



Index

Symbols/Numerics

16-bit PC Cards 6

32-bit PC Cards 6

C

CardBus PC Cards 6

configuring PC Cards 6

D

digital cards

inserting 2

removing 3

stopping 3

supported types 1

drivers 6

E

external media cards. See digital cards, PC Cards

J

Java Card

defined 11

inserting 12

removing 13

P

PC Cards

configuring 6

description 6

inserting 7

removing 9

removing insert 7

software and drivers 6

stopping 9

supported types 6

S

Secure Digital (SD) Memory Card

1

smart card

defined 11

inserting 12

removing 13

software 6

Z

zoomed video PC Cards 6

