

Power

User Guide

© Copyright 2006 Hewlett-Packard
Development Company, L.P.

Microsoft and Windows are U.S. registered
trademarks of Microsoft Corporation.
Bluetooth is a trademark owned by its
proprietor and used by Hewlett-Packard
company under license.

The information contained herein is subject
to change without notice. The only
warranties for HP products and services are
set forth in the express warranty statements
accompanying such products and services.
Nothing herein should be construed as
constituting an additional warranty. HP shall
not be liable for technical or editorial errors
or omissions contained herein.

First Edition: May 2006

Document Part Number: 406759-001

Table of contents

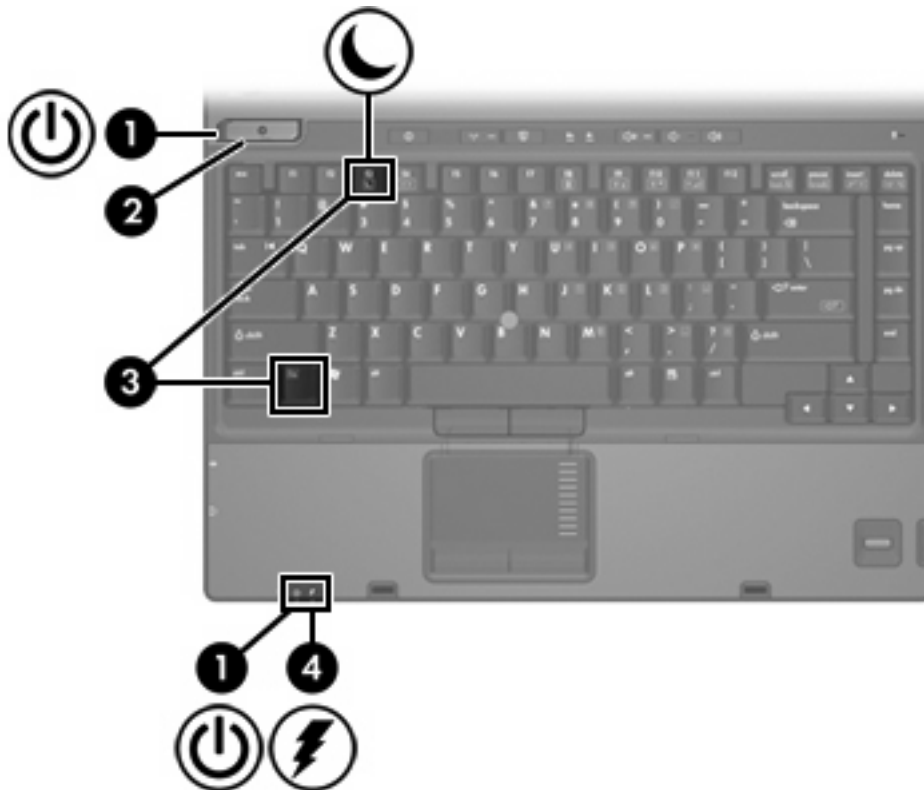
1 Power control and light locations	
2 Power sources	
Connecting the AC adapter	4
3 Standby and hibernation	
Standby	5
Hibernation	6
Initiating standby, hibernation or shutdown	7
When you leave your work	7
When a reliable power supply is unavailable	7
When using wireless communication, or readable or writable media (select models only)	8
4 Factory power settings	
Turning the computer or display on or off	9
Using emergency shutdown procedures	10
Initiating or resuming from standby	11
Initiating or restoring from hibernation	12
5 Power options	
Accessing Power Options Properties	13
Displaying the Power Meter icon	14
Setting or changing a power scheme	15
Setting a security prompt	15
6 Processor performance controls	
7 Batteries	
Identifying batteries	20
Inserting or removing the primary battery	21
Charging multiple batteries	23
Charging a battery	24
Monitoring the charge of the battery	24
Obtaining accurate charge information	24
Displaying charge information on the screen	25
Viewing charge displays	25

Interpreting charge indicators	25
Managing low-battery conditions	26
Identifying low-battery conditions	26
Low-battery condition	26
Critical low-battery condition	26
Resolving low-battery conditions	27
When external power is available	27
When a charged battery is available	27
When no power source is available	27
When the computer cannot restore from hibernation	27
Calibrating a battery	28
When to calibrate	28
How to calibrate	28
Step 1: Charging the battery	28
Step 2: Discharging the battery	29
Step 3: Recharging the battery	30
Conserving battery power	31
Conserving power as you work	31
Selecting power conservation settings	31
Using LAN Power Save Mode	31
Storing a battery	32
Disposing of a used battery	32

Index	33
--------------------	-----------

1 Power control and light locations

The following illustration and table identify and describe the power control and light locations.



Component	Description
(1) Power lights* (2)	On: The computer is on. Blinking: The computer is in standby. Blinking rapidly: An AC adapter with a higher power rating should be connected, Off: The computer is off or in hibernation.
(2) Power button	When the computer is <ul style="list-style-type: none">Off, press to turn on the computer.On, press to enter hibernation.


Component	Description
	<ul style="list-style-type: none"> • In standby, briefly press to exit standby. • In hibernation, briefly press to exit hibernation. <p>If the computer has stopped responding and Microsoft® Windows® shutdown procedures cannot be used, press and hold the power button for at least 5 seconds to turn off the computer.</p>
(3) <code>fn+f3</code>	Initiates standby.
(4) Battery light	<p>Amber: A battery is charging.</p> <p>Green: A battery is close to full charge capacity.</p> <p>Blinking amber: A battery that is the only available power source has reached a low-battery condition. When the battery reaches a <i>critical</i> low-battery condition, the battery light begins blinking rapidly.</p> <p>Off: If the computer is plugged into an external power source, the light is turned off when all batteries in the computer are fully charged. If the computer is not plugged into an external power source, the light stays off until the battery reaches a low-battery condition.</p>
<p>*There are 2 power lights. Both display the same information. The light on the power button is visible only when the computer is open; the other power light is always visible on the front of the computer.</p>	

2 Power sources

The computer can run on internal or external AC power. The following table indicates the best power sources for common tasks.



NOTE Use only the included AC adapter or one approved for use with this computer..

Task	Recommended power source
Work in most software applications	<ul style="list-style-type: none">• Charged battery in the computer• External power supplied through one of the following devices:<ul style="list-style-type: none">• AC adapter included with the computer• Optional docking device• Optional power adapter
Charge or calibrate a battery in the computer	<p>External power supplied through</p> <ul style="list-style-type: none">• AC adapter included with the computer• Optional docking device• Optional power adapter <p> WARNING! Do not charge the computer battery while onboard aircraft.</p>
Install or modify system software or write to a CD or DVD	<p>External power supplied through</p> <ul style="list-style-type: none">• AC adapter included with the computer• Optional docking device• Optional power adapter

Connecting the AC adapter



WARNING! To reduce the risk of electric shock or damage to the equipment:

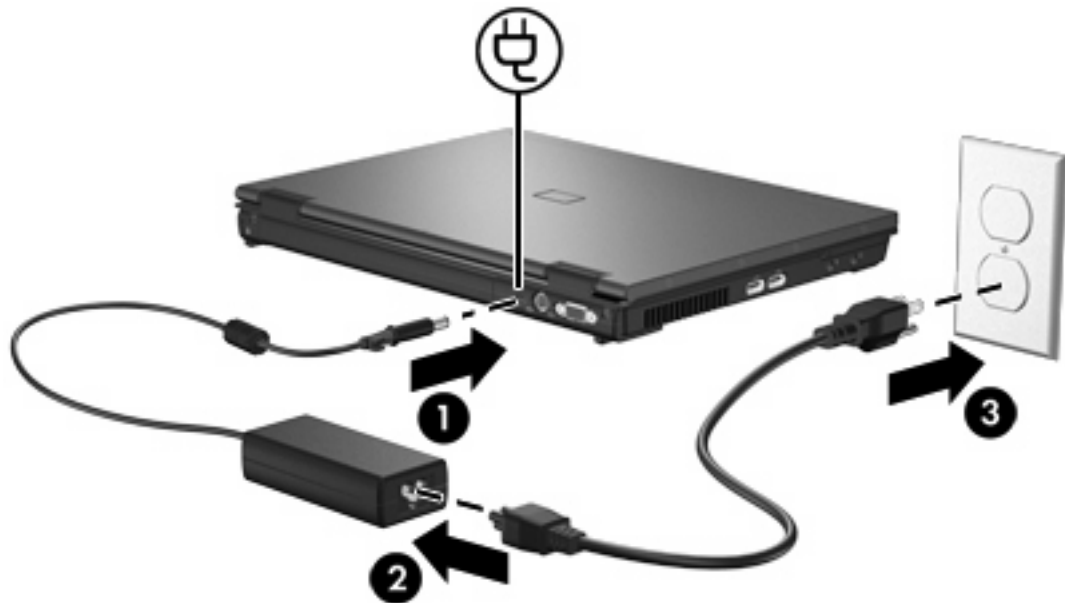
Plug the power cord into an AC outlet that is easily accessible at all times.

Disconnect power from the computer by unplugging the power cord from the AC outlet (not by unplugging the power cord from the computer).

If provided with a 3-pin attachment plug on the power cord, plug the cord into a grounded (earthed) 3-pin outlet. Do not disable the power cord grounding pin, for example, by attaching a 2-pin adapter. The grounding pin is an important safety feature. It is possible to receive an electric shock from a system that is not properly grounded.

To connect the computer to external AC power:

1. Plug the AC adapter into the power connector **(1)** on the computer.
2. Plug the power cord into the AC adapter **(2)**.
3. Plug the other end of the power cord into an AC outlet **(3)**.



3 Standby and hibernation

Standby and hibernation are energy-saving features that conserve power and reduce startup time. They can be initiated by you or by the system.

Standby



CAUTION To avoid a complete battery discharge, do not leave the computer in standby for extended periods. Connect the computer to an external power source.

Standby reduces power to system components that are not in use. When standby is initiated, your work is stored in random access memory (RAM), and then the screen is cleared. When the computer is in standby, the power lights blink. When you resume from standby, your work returns to the screen where you left off.



CAUTION To reduce the risk of information loss, save your work before initiating standby.

Hibernation



CAUTION If the configuration of the computer is changed during hibernation, resuming from hibernation may not be possible. When the computer is in hibernation:

Do not dock the computer to or undock the computer from an optional docking device.

Do not add or remove memory modules.

Do not insert or remove any hard drives or optical drives.

Do not connect or disconnect external devices.

Do not insert or remove external media cards.

Hibernation saves your work to a hibernation file on the hard drive, and then shuts down the computer. The power lights are turned off. When you restore from hibernation, your work returns to the screen where you left off. If a power-on password has been set, the password must be entered to restore from hibernation.



CAUTION To reduce the risk of information loss, save your work before initiating hibernation.

You can disable hibernation. However, if hibernation is disabled and the system reaches a low-battery condition, the system will not automatically save your work while power is on or when standby has been initiated.

Use Power Options in Microsoft® Windows® Control Panel to reenable hibernation:

- ▲ Select **Start > Control Panel > Performance and Maintenance > Power Options > Hibernate** tab.

Be sure that the **Enable hibernation** check box is selected.

To set the time interval after which the system initiates hibernation:

1. Select **Start > Control Panel > Performance and Maintenance > Power Options**.
2. Click one of the intervals in the **System hibernates** list.

Initiating standby, hibernation or shutdown

The following sections explain when to initiate standby or hibernation and when to shut down the computer.



NOTE You cannot initiate any type of networking communications or perform any computer functions while the computer is in standby or hibernation.

When you leave your work

When standby is initiated, your work is stored in random access memory (RAM), and then the screen is cleared. When the computer is in standby, it uses less power than when it is on. Your work returns instantly to the screen when you resume from standby.

Initiating hibernation saves your work to a hibernation file on the hard drive, and then shuts down the computer. When the computer is in hibernation, it uses much less power than when it is in standby.

When the computer will be unused and disconnected from external power for an extended period, shut down the computer and remove the battery to extend the life of the battery.

When a reliable power supply is unavailable

Be sure that hibernation remains enabled, especially if you are operating the computer on battery power and do not have access to an external power supply. If the battery fails, hibernation saves your work to a hibernation file and shuts down the computer.

If you pause your work when the power supply is uncertain, take one of the following actions:

- Save your work, and then initiate standby.
- Initiate hibernation.
- Shut down the computer.

When using wireless communication, or readable or writable media (select models only)



CAUTION To prevent possible audio and video degradation, or loss of audio or video playback functionality, do not initiate standby or hibernation while reading or writing to a CD, a DVD, or an external media card. To prevent loss of information, do not initiate standby or hibernation while writing to a CD, a DVD, or an external media card.



Standby and hibernation interfere with the use of infrared, Bluetooth®, and WLAN or WWAN communication, and media. Note the following guidelines:

- If the computer is in standby or hibernation, you cannot initiate an infrared, Bluetooth, WLAN or WWAN transmission.
- If standby or hibernation is accidentally initiated during playback of a medium such as a CD, a DVD, or an external media card:
 - Your playback may be interrupted.
 - You may see the following warning message: "Putting the computer into hibernation or standby may stop the playback. Do you want to continue?" Click **No**.
 - You may need to restart the media to resume audio and video playback.

4 Factory power settings

This section explains the factory standby, hibernation, and shutdown procedures.

Turning the computer or display on or off

Task	Procedure	Result
Turn on the computer.	Press the power button.	<ul style="list-style-type: none">The power lights are turned on.  <p>NOTE If the power lights blink rapidly, an AC adapter with a higher power rating should be connected.</p> <ul style="list-style-type: none">The operating system loads.
Turn off the computer.*	<ol style="list-style-type: none">Save your work and close all open applications.Shut down the computer through the operating system by selecting Start > Turn Off Computer > Turn Off*.  <p>NOTE If you are unable to shut down the computer using the standard shutdown procedure, try the emergency shutdown procedures described in this guide.</p>	<ul style="list-style-type: none">The power lights are turned off.The operating system shuts down.The computer is turned off.
Turn off the display while the power is on.	Close the computer.	Closing the computer activates the display switch, which initiates standby.

*If you have been registered to a network domain, the button you click will be called Shut Down instead of Turn Off Computer.

Using emergency shutdown procedures




CAUTION Emergency shutdown procedures result in the loss of unsaved information.

If you are unable to shut down the computer using the standard shutdown procedure, try the following emergency procedures in the sequence provided:

1. Press **ctrl+alt+delete**. Then, select **Shut Down > Turn Off**.
2. Press and hold the power button for at least 5 seconds.
3. Disconnect the computer from external power and remove the battery.


Initiating or resuming from standby

Task	Procedure	Result
Initiate standby.	<ul style="list-style-type: none"> With the computer on, press fn+f3. Select Start > Turn Off Computer > Stand by.* <p>In Windows XP Professional, if Stand by is not displayed:</p> <ol style="list-style-type: none"> Click the down arrow. Select Stand by from the list. Click OK. 	<ul style="list-style-type: none"> The power lights blink. The screen clears.
Allow the system to initiate standby.	<p>No action required.</p> <ul style="list-style-type: none"> If the computer is running on battery power, the system initiates standby after 10 minutes of computer inactivity (factory setting). If the computer is plugged into external power, the system initiates standby after 25 minutes of computer inactivity (factory setting). <p> NOTE Power settings and timeouts can be changed using Power Options in Windows Control Panel.</p>	<ul style="list-style-type: none"> The power lights blink. The screen clears.
Resume from user-initiated or system-initiated standby.	Press the power button.	<ul style="list-style-type: none"> The power lights are turned on. Your work returns to the screen.
<p>*If you have been registered to a network domain, the button you click will be called Shut Down instead of Turn Off Computer.</p>		

Initiating or restoring from hibernation

Hibernation cannot be initiated unless it is enabled. Hibernation is enabled at the factory.

To verify that hibernation remains enabled, Select **Start > Control Panel > Performance and Maintenance > Power Options > Hibernate** tab. If hibernation is enabled, the **Enable hibernation** check box is selected.

Task	Procedure	Result
Initiate hibernation.	<ul style="list-style-type: none"> Press the power button. – or – Select Start > Turn Off Computer.[*] Then, hold down the shift key as you select Hibernate. <p>In Windows XP Professional, if hibernate is not displayed:</p> <ol style="list-style-type: none"> Click the down arrow. Select Hibernate from the list. Click OK. 	<ul style="list-style-type: none"> The power lights are turned off. The screen clears.
Allow the system to initiate hibernation (with hibernation enabled).	<p>No action required. If the computer is running on battery power, the system initiates hibernation</p> <ul style="list-style-type: none"> After 30 minutes of computer inactivity. (factory setting) When the battery reaches a critical low-battery condition. 	<ul style="list-style-type: none"> The power lights are turned off. The screen clears.
	 <p>NOTE Power settings and timeouts can be changed using Power Options in Windows Control Panel.</p>	
Restore from user-initiated or system-initiated hibernation.	Press the power button. [†]	<ul style="list-style-type: none"> The power lights are turned on. Your work returns to the screen.

^{*}If you have been registered to a network domain, the button you click will be called Shut Down instead of Turn Off Computer.

[†]If the system initiated hibernation because of a critical low-battery condition, connect external power or insert a charged battery before you press the power button. (The system may not respond if the discharged battery is the only power source.)

5 Power options

You can change many factory power settings in Windows Control Panel. For example, you can set an audio alert to warn you when the battery reaches a low-power condition, or you can change the factory settings for the power button.

When the computer is on:

- Pressing **fn+f3**, called the "sleep button" by the operating system, initiates standby.
- The display switch turns off the display and initiates standby. The display switch is activated by closing the display.



NOTE When HP Mobile Data Protection has "parked a drive," the computer will not initiate standby or hibernation, and the display will simply be turned off.

Accessing Power Options Properties

To access Power Options Properties:

- Right-click the **Power Meter** icon in the notification area, at the far right of the taskbar, and then click **Adjust Power Properties**.
- or –
- Select **Start > Control Panel > Performance and Maintenance > Power Options**.

Displaying the Power Meter icon

The Power Meter icon is set at the factory to display in the notification area, at the far right of the taskbar. The icon changes shape to indicate whether the computer is running on battery or external power.

To remove the Power Meter icon from the notification area:

1. Right-click the **Power Meter** icon in the notification area, and then click **Adjust Power Properties**.
2. Click the **Advanced** tab.
3. Clear the **Always show icon on the taskbar** check box.
4. Click **Apply** and then click **OK**.

To show the Power Meter icon in the notification area:

1. Select **Start > Control Panel > Performance and Maintenance > Power Options**.
2. Click the **Advanced** tab.
3. Select the **Always show icon on the taskbar** check box.
4. Click **Apply**, and then click **OK**.



NOTE If you cannot see an icon you have placed in the notification area, click the Show Hidden Icons icon (< or <<) in the notification area.

Setting or changing a power scheme

The Power Schemes tab in the Power Options Properties dialog box assigns power levels to system components. You can assign different schemes, depending on whether the computer is running on battery or external power.

You can also set a power scheme that initiates standby or turns off the display or hard drive after a time interval that you specify.

To set a power scheme:

1. Right-click the **Power Meter** icon in the notification area, and then click **Adjust Power Properties**.
2. Click the **Power Schemes** tab.
3. Select the power scheme you want to modify, and adjust options in the lists on the screen.
4. Click **Apply**.

Setting a security prompt

You can add a security feature that prompts you for a password when the computer is turned on, resumes from standby, or restores from hibernation.

To set a password prompt:

1. Right-click the **Power Meter** icon in the notification area, and then click **Adjust Power Properties**.
2. Click the **Advanced** tab.
3. Select the **Prompt for password when computer resumes from standby** check box.
4. Click **Apply**.

6 Processor performance controls



CAUTION To prevent overheating, do not obstruct vents. Use the computer only on a hard, flat surface. Do not allow another hard surface, such as a printer, or a soft surface, such as pillows, thick rugs, or clothing, to block the airflow. Overheating can damage the computer and reduce processor performance.



NOTE In some cases, a computer may operate at a higher speed on external power than on battery power. If the battery power is extremely low, the computer may attempt to conserve power by reducing processor speed and graphics performance.

Windows XP enables you to manage the processor performance controls by selecting a power scheme. The processing speed can be set for optimal performance or for optimal power conservation.

Processor performance controls are managed in the **Power Options Properties** dialog box.

To access Windows XP processor performance controls:

- ▲ Select **Start > Control Panel > Performance and Maintenance > Power Options**.

The power scheme you select determines how the processor performs when the computer is plugged into external power or is running on battery power. Each power scheme for external power or battery power sets a specific processor state.

After a power scheme has been set, no other intervention is required to control the performance of the computer processor. The following table describes the processor performance on external and battery power for the available power schemes.

Power scheme	Processor performance while on external power	Processor performance while on battery power
Home/Office Desk	Always runs at the highest performance state.	Performance state is determined based on CPU demand.
Portable/Laptop (factory setting) *	Performance state is determined based on CPU demand.	Performance state is determined based on CPU demand.
Presentation	Performance state is determined based on CPU demand.	Performance state is determined based on CPU demand.
Always On	Always runs at the highest performance state.	Always runs at the highest performance state.
Minimal Power Management	Performance state is determined based on CPU demand.	Performance state is determined based on CPU demand.

Power scheme	Processor performance while on external power	Processor performance while on battery power
Max Battery	Performance state is determined based on CPU demand.	CPU performance is lower when the Max Battery setting is selected; however, battery life will be extended.

* It is recommended that you use the Portable/Laptop power scheme.

7 Batteries

When a charged battery is in the computer and the computer is not plugged into external power, the computer runs on battery power. When the computer is plugged into external AC power, the computer runs on AC power.

If the computer contains a charged battery and is running on external AC power supplied through the AC adapter, the computer switches to battery power if the AC adapter is disconnected from the computer.



NOTE The display brightness is automatically decreased to save battery life when you disconnect AC power. To increase display brightness, use the **fn+f10** hotkey or reconnect the AC adapter.

You can keep a battery in the computer or in storage, depending on how you work. Keeping the battery in the computer whenever the computer is plugged into external AC power enables the battery to charge and also protects your work in case of a power outage.

However, a battery in the computer slowly discharges when the computer is turned off and not plugged into external power.

Identifying batteries

The computer supports up to 2 batteries:

- One primary lithium-ion battery is included with the computer.
- The optional accessory battery that can be attached to the bottom of the computer.

If the computer will be unused and disconnected from external power for more than 2 weeks, remove the battery and store it.



WARNING! To reduce potential safety issues, only the AC adapter or battery provided with the computer, a replacement AC adapter or battery provided by HP, or a compatible AC adapter or battery purchased as an accessory from HP should be used with the computer.

Inserting or removing the primary battery



CAUTION To prevent loss of information when removing a battery that is the sole power source, initiate hibernation or turn off the computer before removing the battery.

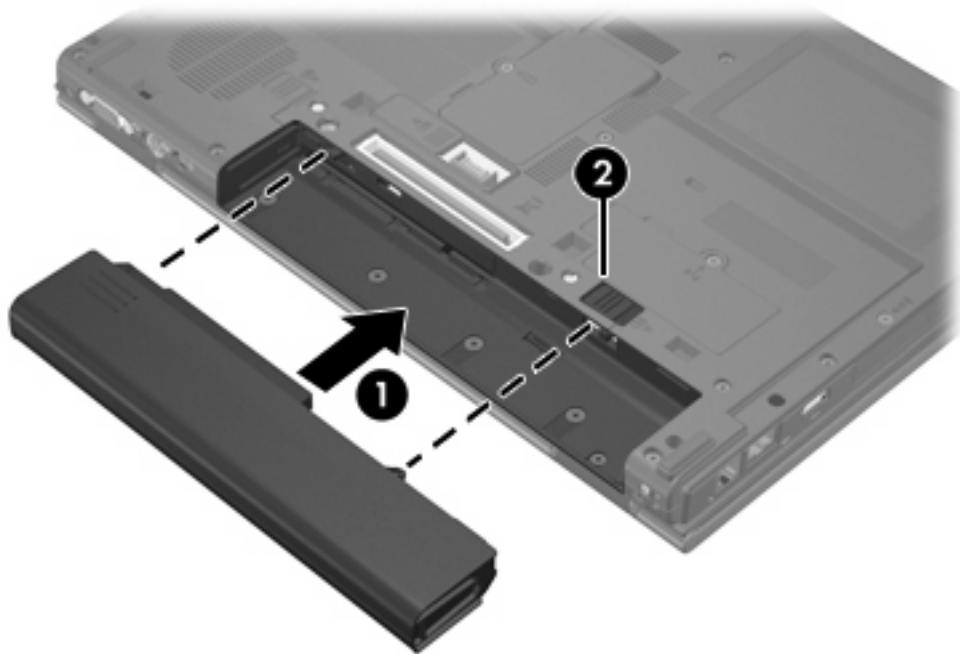


NOTE Batteries vary in appearance by model.

To insert a battery:

1. Turn the computer upside down on a flat surface, with the battery bay toward you.
2. Slide the battery **(1)** into the battery bay until it is seated.

The battery release latches **(2)** automatically lock the battery into place.



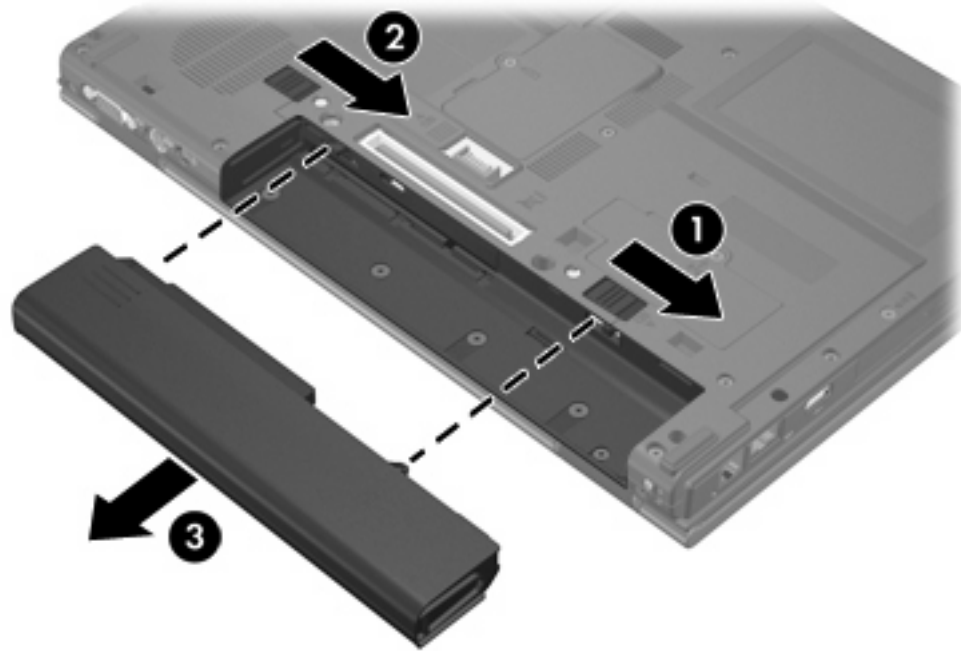
To remove a battery:

1. Turn the computer upside down on a flat surface, with the battery bay toward you.
2. Slide the battery release latch on the right **(1)** and then the battery release latch on the left **(2)** to release the battery.



NOTE You can also slide both battery release latches at the same time.

3. Remove the battery from the computer (3).



Charging multiple batteries

Multiple battery in the system charge and discharge in a preset sequence:

- Charge sequence:
 1. Primary battery in the computer battery bay
 2. Accessory battery
- Discharge sequence:
 1. Accessory battery
 2. Primary battery in the computer battery bay

While a battery is charging, the battery light on the computer is amber. When the battery is almost fully charged, the battery light is green. The light is turned off when all batteries are fully charged.

The primary battery charges when it is inserted into the computer and the computer is plugged into external power. External power can be supplied through the following:

- AC adapter
- Optional docking device
- Optional power adapter



WARNING! To reduce potential safety issues, only the AC adapter or battery provided with the computer, a replacement AC adapter or battery provided by HP, or a compatible AC adapter or battery purchased as an accessory from HP should be used with the computer.

Charging a battery

To prolong battery life and optimize the accuracy of battery charge displays:



WARNING! Do not charge the computer battery on board aircraft.

- If you are charging a new battery:
 - Charge the battery while the computer is plugged into external power through the AC adapter.
 - When you charge the battery, charge it fully before turning on the computer.
- If you are charging an in-use battery:
 - Allow the battery to discharge to below 5 percent of a full charge through normal use before charging it.
 - When you charge the battery, charge it until the battery light is turned off.



NOTE If the computer is on while the battery is charging, the power meter may show 100 percent charge before the battery is fully charged.

A battery inserted in the computer charges whenever the computer is plugged into external power through an AC adapter, an optional docking device, or an optional power adapter.

A battery inserted in the computer charges whether the computer is off or in use, but the battery charges faster while the computer is off. Charging may be delayed if a battery is new, has been unused for 2 weeks or more, or is much warmer or cooler than room temperature.

The battery light displays charge status:

- On: The battery is charging.
- Blinking: The battery has reached a low-battery condition and is not charging.
- Blinking rapidly: The battery has reached a critical low-battery condition and is not charging.
- Off: The battery is fully charged or not installed.

Monitoring the charge of the battery

This section explains several ways to determine the amount of charge in a battery.

Obtaining accurate charge information

To increase the accuracy of all battery charge indicators:

- Allow a battery to discharge to below 5 percent of a full charge through normal use before charging it.
- If a battery has been unused for one month or more, calibrate the battery instead of simply charging it.
- When you charge a battery, charge it until the battery light is turned off.



NOTE If the computer is on while the battery is charging, the power meter may show 100 percent charge before the battery is fully charged.

Displaying charge information on the screen

This section explains how to access and interpret battery charge indicators.

Viewing charge displays

To view information about the status of any battery in the computer:

- Double-click the **Power Meter** icon in the notification area, at the far right of the taskbar.
– or –
- Select **Start > Control Panel > Performance and Maintenance > Power Options > Power Meter** tab.

Interpreting charge indicators

Most charge indicators report battery status as both a percentage and as the number of minutes of charge remaining:

- The percentage indicates the approximate amount of charge remaining in the battery.
- The time indicates the approximate running time remaining on the battery *if the battery continues to provide power at the current level*. For example, the time remaining will decrease when you start playing a DVD and will increase when you stop playing a DVD.

When a battery is charging, a lightning bolt icon may be superimposed over the battery icon on the Power Meter screen.

Managing low-battery conditions

The information in this section describes the alerts and system responses set at the factory. Some low-battery condition alerts and system responses can be changed using Power Options in Windows Control Panel. Preferences set using Power Options do not affect lights.

Identifying low-battery conditions

This section explains how to identify low-battery and critical low-battery conditions.

Low-battery condition

When a battery that is the sole power source for the computer reaches a low-battery condition, the battery light blinks in an amber color.

Critical low-battery condition

If a low-battery condition is not resolved, the computer enters a critical low-battery condition, and the battery light blinks rapidly.

In a critical low-battery condition:

- If hibernation is enabled and the computer is on or in standby, the computer initiates hibernation.
- If hibernation is disabled and the computer is on or in standby, the computer remains briefly in standby, and then shuts down and loses any unsaved information.

To verify that hibernation is enabled:

1. Select **Start > Control Panel > Performance and Maintenance > Power Options > Hibernate** tab.
2. Be sure that the **Enable hibernation support** check box is selected.

Resolving low-battery conditions



CAUTION To reduce the risk of losing information when the computer reaches a critical low-battery condition and has initiated hibernation, do not restore power until the power lights are turned off.

When external power is available

To resolve a low-battery condition when external power is available, connect one of the following:

- AC adapter
- Optional docking device
- Optional power adapter

When a charged battery is available

To resolve a low-battery condition when a charged battery is available:

1. Turn off the computer or initiate hibernation.
2. Insert a charged battery.
3. Turn on the computer.

When no power source is available

To resolve a low-battery condition when no power source is available:

- Initiate hibernation.
– or –
- Save your work and shut down the computer.

When the computer cannot restore from hibernation

To resolve a low-battery condition when the computer lacks the power to restore from hibernation:

1. Insert a charged battery or plug the computer into external power.
2. Restore from hibernation by pressing the power button.

Calibrating a battery

When to calibrate

Even if a battery is heavily used, it should not be necessary to calibrate it more than once a month. It is not necessary to calibrate a new battery. Calibrate a battery under the following conditions:

- When battery charge displays seem inaccurate
- When you observe a significant change in battery run time
- When the battery has been unused for one month or more

How to calibrate

Three steps are involved in calibrating a battery: fully charging, fully discharging, and then fully recharging.

Step 1: Charging the battery

A battery can charge whether the computer is off or in use, but it will charge faster when the computer is off.



WARNING! Do not charge the computer battery on board aircraft.

To charge the battery:

1. Insert the battery into the computer.
2. Connect the computer to an AC adapter, optional power adapter, or optional docking device, and then plug the adapter or device into external power.

The battery light on the computer is turned on.

3. Leave the computer plugged into external power until the battery is fully charged.

The battery light on the computer is turned off.

Step 2: Discharging the battery

Before you begin a full discharge, disable hibernation.

To disable hibernation:

1. Select **Start > Control Panel > Performance and Maintenance > Power Options > Hibernate** tab.
2. Clear the **Enable hibernation** check box.
3. Click **Apply**.

The computer must remain on while the battery is being discharged. The battery can discharge whether or not you are using the computer but will discharge faster while the computer is in use.

- If you plan to leave the computer unattended during the discharge, save your information before beginning the discharge procedure.
- If you use the computer occasionally during the discharge procedure and have set energy-saving timeouts, expect the following performance from the system during the discharge process:
 - The monitor will not turn off automatically.
 - Hard drive speed will not decrease automatically when the computer is idle.
 - System-initiated hibernation will not occur.

To fully discharge a battery:

1. Right-click the **Power Meter** icon in the notification area, at the far right of the taskbar, and then click **Adjust Power Properties**.

– or –

Select **Start > Control Panel > Performance and Maintenance > Power Options**.
2. Record the 4 settings listed in the **Running on batteries** and **Plugged in** columns so that you can reset them after the calibration.
3. Set the 4 options to **Never**.
4. Click **OK**.
5. Unplug the computer from its external power source, but do *not* turn off the computer.
6. Run the computer on battery power until the battery is fully discharged. The battery light begins to blink in an amber color when the battery has discharged to a low-battery condition. When the battery is fully discharged, the battery light is turned off and the computer shuts down.

Step 3: Recharging the battery

To recharge the battery:

1. Plug the computer into external power and maintain external power until the battery is fully recharged. When the battery is recharged, the battery light on the computer is turned off.

You can use the computer while the battery is recharging, but the battery will charge faster if the computer is off.

2. If the computer is off, turn it on when the battery is fully charged and the battery light is turned off.
3. Select **Start > Control Panel > Performance and Maintenance > Power Options**.
4. Reenter the settings that you recorded for the items in the **Plugged in** column and the **Running on batteries** column.
5. Click **OK**.



CAUTION After calibrating the battery, reenable hibernation. Failure to reenable hibernation may result in a complete battery discharge and potential information loss.

To reenable hibernation, select **Start > Control Panel > Performance and Maintenance > Power Options > Hibernate** tab. Select the **Enable hibernation** check box, and then click **Apply**.

Conserving battery power

Using the battery conservation procedures and settings described in this section extends the time that a battery can run the computer from a single charge.

Conserving power as you work

To conserve power as you use the computer:

- Turn off wireless and local area network (LAN) connections and exit modem applications when you are not using them.
- Disconnect external devices that you are not using that are not plugged into an external power source.
- Stop, disable, or remove any external media cards that you are not using.
- Disable or remove an inserted digital card.
- Use the **fn+f10** and **fn+f9** hotkeys to adjust screen brightness as you need it.
- Use optional powered speakers instead of the internal speakers, or adjust system volume as you need it.
- Press **fn+f4** to switch the screen image from the computer display to an external display device.
- If you leave your work, initiate standby or hibernation, or shut down the computer.
- Enable the ambient light sensor using **fn+f11** hot keys. The Ambient Light Sensor will automatically adjust brightness with regard to your surrounding ambient light conditions.

Selecting power conservation settings

To set the computer to conserve power:

- Select a short wait for the screen saver, and select a screen saver with minimal graphics and motion.

To access screen saver settings:

Select **Start > Control Panel > Appearance and Themes > Choose a screen saver**.

- Select a Power Scheme with low power-use settings through the operating system.

Using LAN Power Save Mode

Your notebook is equipped with LAN Power Save mode, which enables you to conserve battery power. LAN Power Save mode turns off the LAN device when the notebook is disconnected from external power and the network cable is disconnected.

LAN Power Save mode is enabled in the factory settings. You can change the LAN Power Save mode settings in Computer Setup.

To initiate LAN Power Save mode:

- ▲ Disconnect the network cable.



NOTE The LAN device is not listed in Device Manager while LAN Power Save mode is activated. To access the LAN device, do one of the following:

- Connect external power.
- Connect a network cable.
- Disable LAN Power Save mode in Computer Setup.

Storing a battery



WARNING! To avoid potential safety issues, use only the battery provided with the computer, a replacement battery provided by HP, or a compatible battery purchased as an accessory from HP.



CAUTION To prevent damage to a battery, do not expose it to high temperatures for extended periods of time.

If a computer will be unused and unplugged from external power for more than 2 weeks, remove the battery and store it separately.

To prolong the charge of a stored battery, place it in a cool, dry place.

Calibrate a battery before using it if it has been stored for one month or more.

Disposing of a used battery



WARNING! To reduce the risk of fire or burns, do not disassemble, crush, or puncture a battery; short the external contacts on a battery; or dispose of a battery in fire or water. Do not expose a battery to temperatures above 60°C (140°F). Replace the battery only with a battery approved for this computer.

Refer to the *Regulatory, Safety, and Environmental Notices* for battery disposal information.

Index

A

AC adapter 4

B

battery

- accessory 20
- battery power vs. AC power 19
- calibrating 28
- charging 24, 28
- charging multiple 23
- conserving power 31
- disposing of 32
- inserting 21
- low-battery conditions 26
- monitoring charge 24
- recharging 30
- removing 21
- storing 32
- using 19

battery charge information 24

battery light 24, 26

battery light, identifying 2

battery release latch 21

Bluetooth device 8

button, power 1

C

calibration, battery 28

charging batteries 24

computer display, turning on or off 9

connecting external power 4

conservation, power

LAN Power Save mode 31

critical low-battery condition 26

D

default power settings 9

drive media 8

E

emergency shutdown procedures 10

F

factory power settings 9

fn+f3 key 2

H

hibernation

defined 6

enabling/disabling 6

initiated during critical low-battery condition 26

initiating 12

restoring from 12

when to use 6

hibernation file 6

I

infrared communication 8

L

LAN Power Save mode 31

lights

battery 2

power 1

low-battery condition 26

O

operating system 9

optional power adapter 3, 28

P

passwords, security 15

power

connecting 4

conserving 31

control and light locations 1

schemes 15

setting preferences 13

sources 3

power adapter 3

power button 1

power light 1

Power Meter icon 14

power settings 9

power supply 7

processor performance controls 17

R

readable media 8

reset (emergency shutdown procedures) 10

S

screen saver 31

security passwords 15

shutdown procedures 10

shutting down 9

software, Power Meter 13

standby

defined 5

initiating 11

resuming from 11

T

temperature, storage, battery 32

traveling with the computer, battery temperature considerations 32

turning off the computer 9, 10

U

unresponsive system, emergency shutdown procedures 10

W

writable media 8

