

Drives

User Guide

© Copyright 2006 Hewlett-Packard
Development Company, L.P.

The information contained herein is subject to change without notice. The only warranties for HP products and services are set forth in the express warranty statements accompanying such products and services. Nothing herein should be construed as constituting an additional warranty. HP shall not be liable for technical or editorial errors or omissions contained herein.

First Edition: May 2006

Document Part Number: 411664-001

Table of contents

1 Drive care	
2 Drive light	
3 Hard drives	
Replacing the hard drive	5
4 Optical drives	
Inserting an optical disc	10
Removing an optical disc (with power)	11
Removing an optical disc (without power)	12
Avoiding standby or hibernation	13
Index	15

1 Drive care

Drives are fragile computer components that must be handled with care. Refer to the following cautions before handling drives. Additional cautions are included with the procedures to which they apply.



CAUTION To reduce the risk of damage to the computer, damage to a drive, or loss of information, observe these precautions:

Initiate standby, and allow the screen to clear, before you move a computer or external hard drive from one location to another.

Before handling a drive, discharge static electricity by touching the unpainted metal surface of the drive.

Do not touch the connector pins on a removable drive or on the computer.

Handle a drive carefully; do not drop or compress the drive.

Before removing or inserting a drive, shut down the computer. If you are unsure whether the computer is off or in hibernation, turn the computer on, and then shut it down through the operating system.

Do not use excessive force when inserting a drive into a drive bay.

Do not type on the keyboard or move the computer when the optical drive is writing to a medium. The write process is sensitive to vibration.

When the battery pack is the only source of power, ensure that the battery pack is sufficiently charged before writing to a medium.

Avoid exposing a drive to temperature or humidity extremes.

Avoid exposing a drive to liquids. Do not spray it with cleaning products.

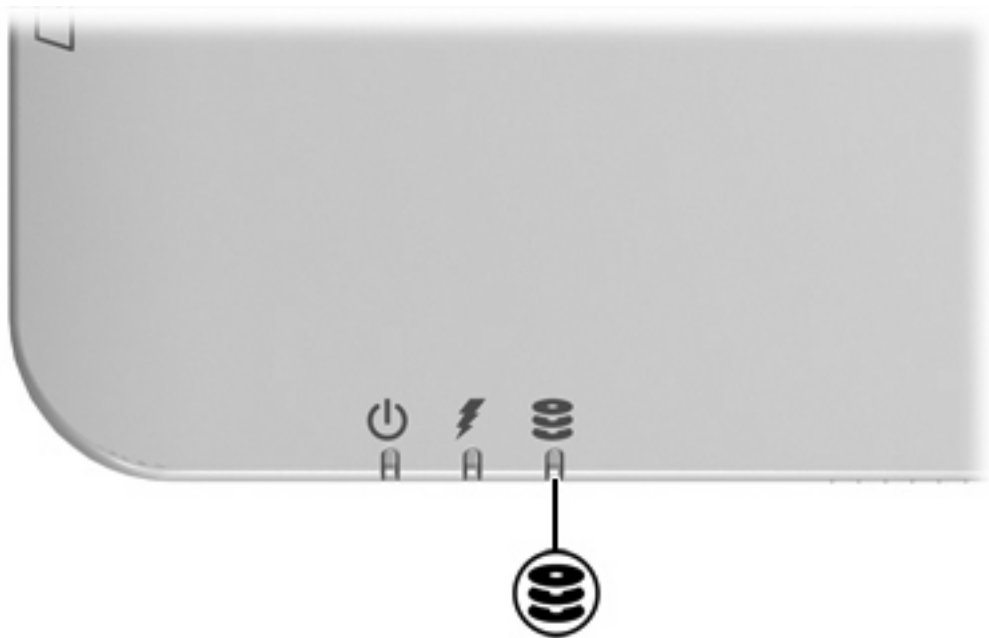
Remove the medium from a drive before removing the drive from the drive bay, or traveling with, shipping, or storing a drive.

If a drive must be mailed, place the drive in a bubble-pack mailer or other suitable protective packaging and label the package "FRAGILE."

Avoid exposing a drive to magnetic fields. Security devices with magnetic fields include airport walk-through devices and security wands. The airport security devices that check carry-on luggage, such as conveyor belts, use x-rays instead of magnetism and will not damage a drive.

2 Drive light

The drive light blinks when either the primary hard drive or an optical drive is being accessed.



3 Hard drives

Replacing the hard drive



CAUTION To prevent system lockup and loss of information:

Shut down the computer before removing the hard drive from the hard drive bay. Do not remove the hard drive while the computer is on, in standby, or in hibernation.

If you are not sure whether the computer is off or in hibernation, turn the computer on by pressing the power button. Then shut down the computer through the operating system.



NOTE Your computer may look slightly different from the illustrations in this chapter.

To remove the hard drive:

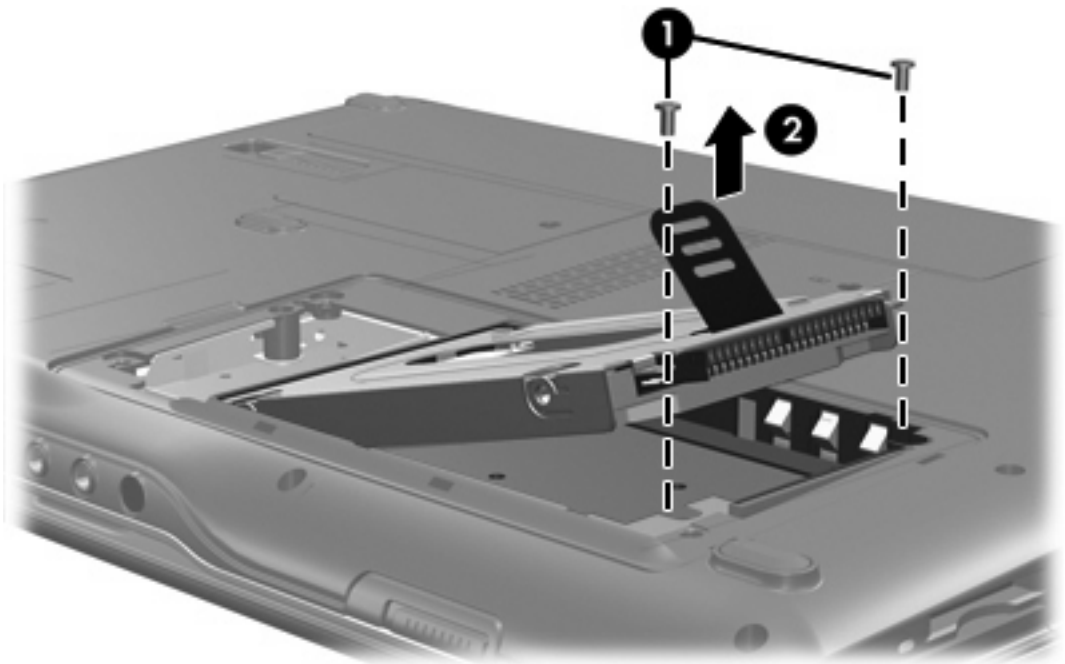
1. Save your work.
2. Shut down the computer and close the display.
3. Disconnect all external devices connected to the computer.
4. Unplug the power cord from the AC outlet.
5. Turn the computer upside down on a flat surface.
6. Remove the battery from the computer.
7. With the hard drive bay toward you, loosen the 2 hard drive cover screws **(1)**.

8. Lift the hard drive cover away from the computer (2).



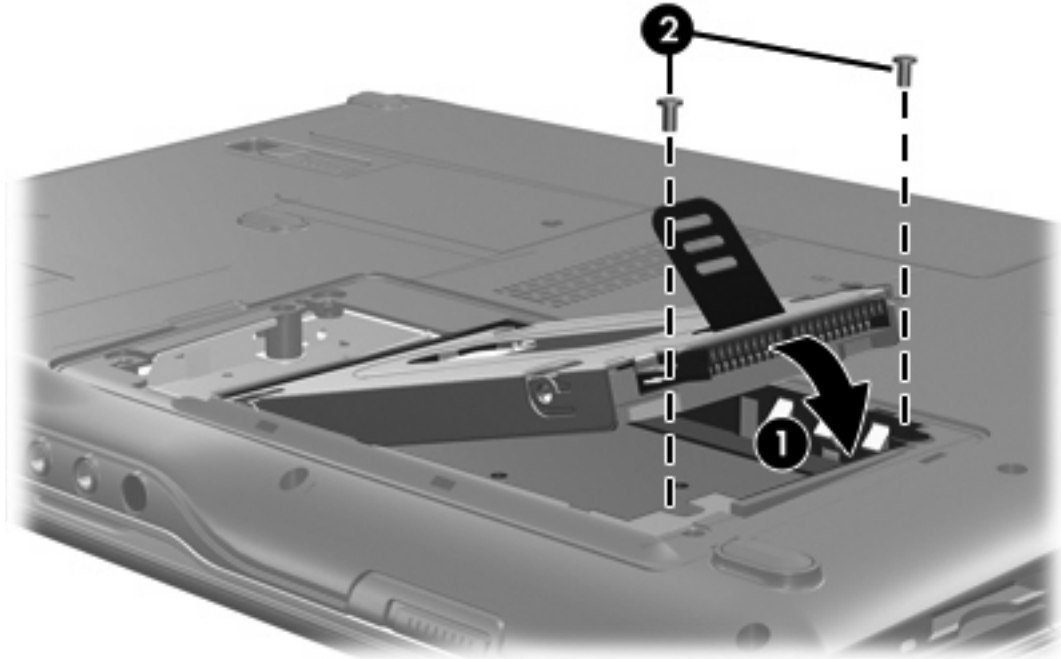
9. Remove the 2 hard drive screws (1)

10. Pull the hard drive tab up (2), and then lift the hard drive away from the computer.



To install a hard drive:

1. Insert the hard drive into the hard drive bay.
2. Gently press the hard drive down until it snaps into place **(1)**.
3. Replace the 2 hard drive screws **(2)**.



4. Align the tabs **(1)** on the hard drive cover with the notches on the computer.
5. Close the cover **(2)**.

6. Tighten the hard drive cover screws (3).



4 Optical drives

The computer can read or write to optical drives as described in the following table.

Type of optical drive	Read CD and DVD-ROM	Write to CD-RW	Write to DVD \pm RW/R	Write to DVD+R DL
DVD/CD-RW Drive	Yes	Yes	No	No
DVD \pm RW Double Layer	Yes	Yes	Yes	Yes
LightScribe DVD \pm RW Double Layer	Yes	Yes	Yes	Yes

Some of the optical drives listed may not be supported by your computer. The listed drives are not necessarily all of the supported optical drives.

An optical drive, such as a DVD-ROM drive, supports optical discs (CDs and DVDs). These discs are used to store or transport information and to play music and movies. DVDs have a higher capacity than CDs.

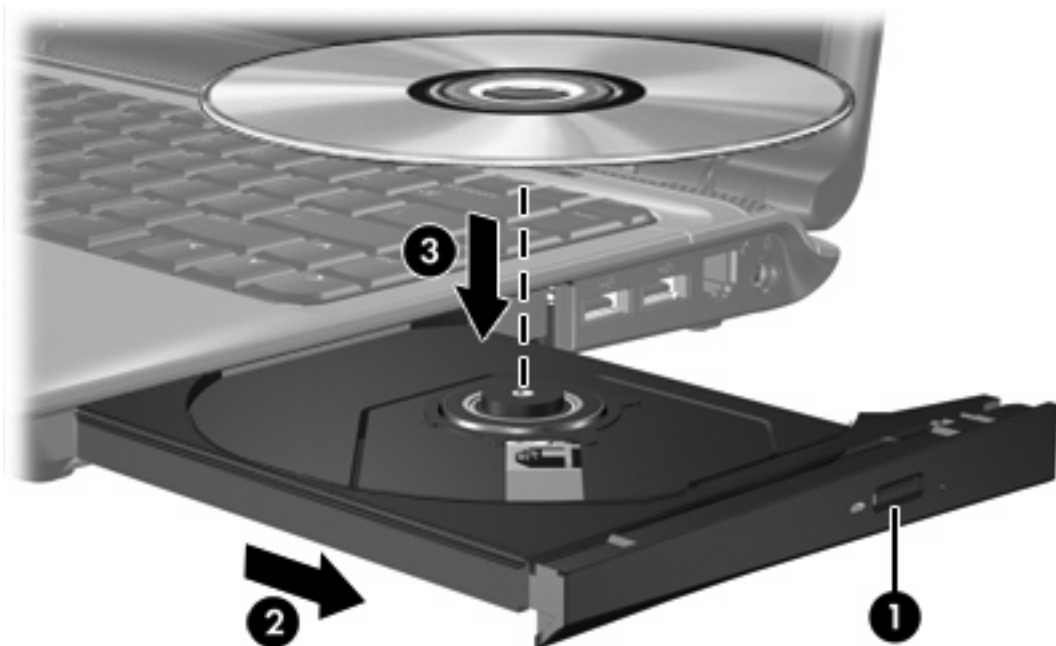
Inserting an optical disc

1. Turn on the computer.
2. Press the release button **(1)** on the drive bezel to release the media tray.
3. Pull out the tray **(2)**.
4. Hold the CD or DVD by the edges to avoid touching the flat surfaces, and position the disc over the tray spindle, with the label-side up.



NOTE If the tray is not fully accessible, tilt the disc carefully to position it over the spindle.

5. Gently press the disc **(3)** down onto the tray spindle until the disc snaps into place.



6. Close the media tray.



NOTE After you insert a disc, a short pause is normal. If you have not selected a default media player, an AutoPlay dialog box opens. It prompts you to select how you want to use the media content.

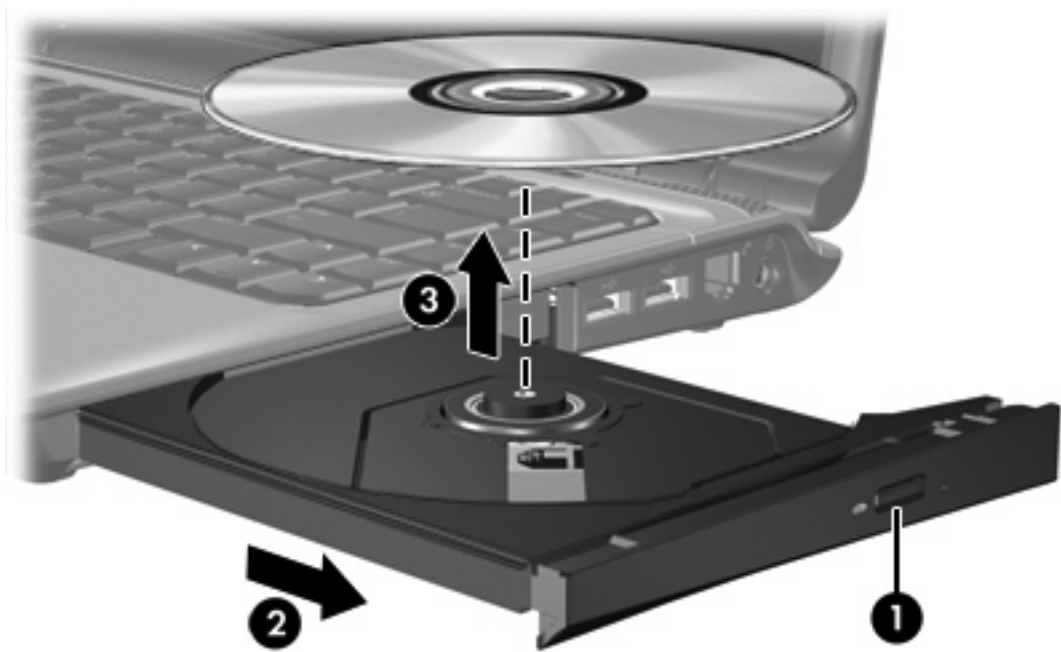
Removing an optical disc (with power)

If the computer is running on external or battery power:

1. Turn on the computer.
2. Press the release button (1) on the drive bezel to release the media tray, and then pull out the tray (2).
3. Remove the disc (3) from the tray by gently pressing down on the spindle while lifting the outer edges of the disc. Hold the disc by the edges and avoid touching the flat surfaces.



NOTE If the tray is not fully accessible, tilt the disc carefully as you remove it.



4. Close the media tray and place the disc in a protective case.

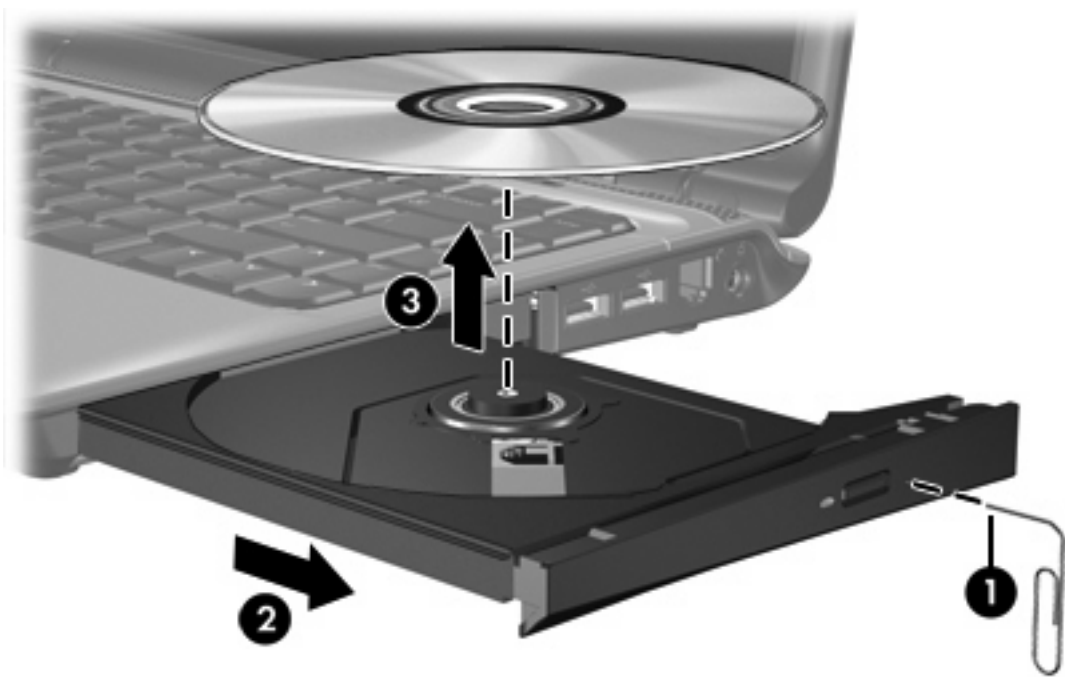
Removing an optical disc (without power)

If external or battery power is unavailable:

1. Insert the end of a paper clip (1) into the release access in the front bezel of the drive.
2. Press in gently until the tray is released, and then pull out the tray (2).
3. Remove the disc (3) from the tray by gently pressing down on the spindle while lifting the outer edges of the disc. Hold the disc by the edges and avoid touching the flat surfaces.



NOTE If the tray is not fully accessible, tilt the disc carefully as you remove it.



4. Close the media tray and place the disc in a protective case.

Avoiding standby or hibernation



CAUTION To prevent possible audio and video degradation, or loss of audio or video playback functionality, do not initiate standby or hibernation while reading or writing to a CD or DVD.

To prevent loss of information, do not initiate standby or hibernation when writing to a CD or DVD.

If standby or hibernation is accidentally initiated during playback of a drive medium (such as a CD or DVD):

- Your playback may be interrupted.
- You may see the following warning: "Putting the computer into hibernation or standby may stop the playback. Do you want to continue?" Click **No**.
- You may need to restart the CD or DVD to resume audio and video playback.

Index

A

airport security devices 1

C

CD

inserting 10

removing, with power 11

removing, without power 12

CD drive 9

D

drive light 3

drives

caring for 1

drive light 3

hard 5, 7

optical 9

See *also* hard drive, optical drive

DVD

inserting 10

removing, with power 11

removing, without power 12

DVD drive 9

H

hard disk drive

installing 7

removing 5

replacing 5

hard drive

installing 7

removing 5

replacing 5

hibernation 13

L

light, drive 3

O

optical disc

inserting 10

removing, with power 11

removing, without power 12

optical drive 9

S

standby 13

