

Power

Document Part Number: 409915-001

May 2006

This guide explains how the computer uses power.

Contents

1 Power control and light locations

2 Power sources

Connecting the AC adapter 2-2

3 Standby and hibernation

Standby. 3-1

Hibernation. 3-2

Initiating standby, hibernation or shutdown. 3-3

 When you leave your work 3-3

 When a reliable power supply is unavailable 3-3

 When using wireless communication, or readable
 or writable drive media 3-4

4 Factory power settings

Turning the computer or display on or off. 4-2

Using emergency shutdown procedures. 4-3

Initiating or resuming from standby. 4-4

Initiating or restoring from hibernation 4-5

5 Power options

Accessing Power Options Properties 5-1

Displaying the Power Meter icon. 5-2

Setting or changing a power scheme 5-3

Setting a security prompt 5-3

6 Processor performance controls

7 Batteries

Identifying batteries	7-2
Inserting or removing the primary battery	7-3
Charging multiple batteries	7-5
Charging a battery	7-6
Monitoring the charge of a battery	7-7
Managing low-battery conditions	7-9
Identifying low-battery conditions	7-9
Resolving low-battery conditions	7-10
Calibrating a battery	7-12
When to calibrate	7-12
How to calibrate	7-12
Conserving battery power	7-15
Conserving power as you work	7-15
Selecting power conservation settings	7-16
Storing a battery	7-16
Disposing of a used battery	7-16

Index

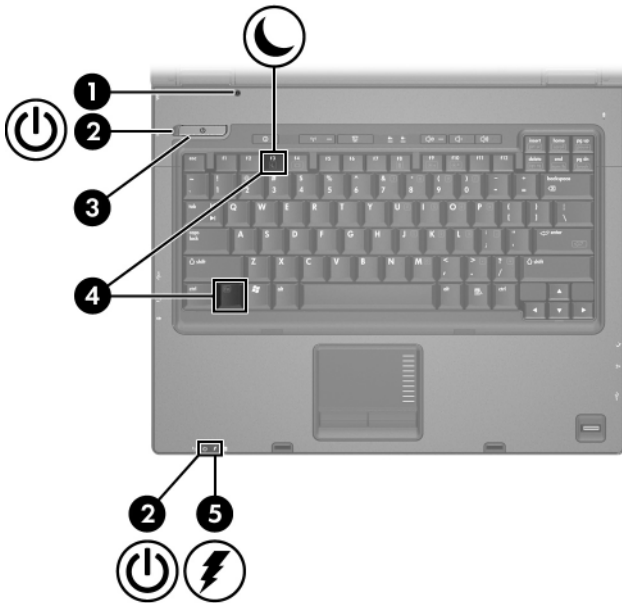
1

Power control and light locations

The following illustration and table identify and describe the power control and light locations.



Your computer may look slightly different from the illustrations in this guide.



Component	Description
❶ Display switch	Initiates standby if the display is closed while the computer is on.
❷ Power lights* (2)	On: The computer is on. Blinking: The computer is in standby. Off: The computer is off or in hibernation.

(Continued)

Component	Description
<p>③ Power button</p>	<p>When the computer is</p> <ul style="list-style-type: none"> ■ Off, press to turn on the computer. ■ In standby, briefly press to exit standby. ■ In hibernation, briefly press to exit hibernation. <p>If the computer has stopped responding and Microsoft® Windows® shutdown procedures cannot be used, press and hold the power button for at least 5 seconds to turn off the computer.</p>
<p>④ fn+f3</p>	<p>Initiates standby.</p>
<p>⑤ Battery light</p>	<p>Amber: A battery is charging. Green: A battery is close to full charge capacity. Blinking amber: A battery that is the only available power source has reached a low-battery condition. When the battery reaches a <i>critical</i> low-battery condition, the battery light begins blinking rapidly. Off: If the computer is plugged into an external power source, the light is off when all batteries in the computer are fully charged. If the computer is not plugged into an external power source, the light stays off until the battery reaches a low-battery condition.</p>


*The 2 power lights display the same information. The light on the power button is visible only when the computer is open. The power light on the front of the computer is visible whether the computer is open or closed.

Power sources

The computer can run on internal or external AC power. The following table indicates the best power source for common tasks.



Use only the included AC adapter or one approved for this computer.

Task	Recommended power source
Work in most software applications	<ul style="list-style-type: none"> ■ Charged battery in the computer ■ External power supplied through one of the following devices: <ul style="list-style-type: none"> <input type="checkbox"/> AC adapter included with the computer <input type="checkbox"/> Optional docking device <input type="checkbox"/> Optional power adapter
Charge or calibrate a battery in the computer	<p>External power supplied through</p> <ul style="list-style-type: none"> ■ AC adapter included with the computer ■ Optional docking device ■ Optional power adapter <p> Do not charge the computer battery while you are onboard aircraft.</p>
Install or modify system software or write to a CD or DVD	<p>External power supplied through</p> <ul style="list-style-type: none"> ■ AC adapter included with the computer ■ Optional docking device ■ Optional power adapter

Connecting the AC adapter

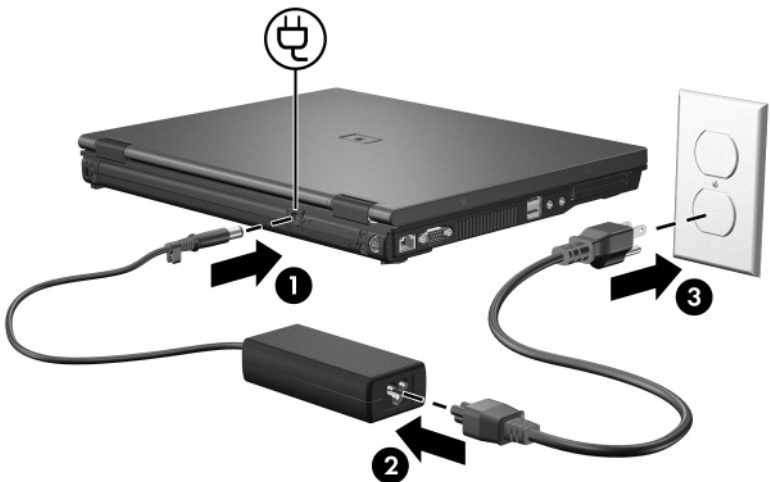


WARNING: To reduce the risk of electric shock or damage to the equipment:

- Plug the power cord into an AC outlet that is easily accessible at all times.
 - Disconnect power from the computer by unplugging the power cord from the AC outlet (not by unplugging the power cord from the computer).
 - If provided with a 3-pin attachment plug on your power cord, plug the cord into a grounded (earthed) 3-pin outlet. Do not disable the power cord grounding pin; for example, by attaching a 2-pin adapter. The grounding pin is an important safety feature. It is possible to receive an electric shock from a system that is not properly grounded.
-

To connect the computer to external AC power:

1. Plug the AC adapter into the power connector ❶ on the computer.
2. Plug the power cord into the AC adapter ❷.
3. Plug the other end of the power cord into an AC outlet ❸.



Standby and hibernation

Standby and hibernation are energy-saving features that conserve power and reduce startup time. They can be initiated by you or by the system. For more information, refer to “[Initiating standby, hibernation or shutdown.](#)”

Standby



CAUTION: To avoid a complete battery discharge, do not leave the computer in standby for extended periods. Connect the computer to an external power source.

Standby reduces power to system components that are not in use. When standby is initiated, your work is stored in random access memory (RAM), and then the screen is cleared. When the computer is in standby, the power lights blink. When you resume from standby, your work returns to the screen where you left off.



CAUTION: To reduce the risk of information loss, save your work before initiating standby.

Hibernation



CAUTION: If the configuration of the computer is changed during hibernation, resuming from hibernation may not be possible. When the computer is in hibernation:

- Do not dock the computer in or undock the computer from a docking device.
 - Do not add or remove memory modules.
 - Do not insert or remove hard drives or optical drives.
 - Do not connect or disconnect external devices.
 - Do not insert or remove an external media card.
-

Hibernation saves your work to a hibernation file on the hard drive, and then shuts down the computer. The power lights are turned off. When you restore from hibernation, your work returns to the screen where you left off. If a power-on password has been set, the password must be entered to restore from hibernation.



CAUTION: To reduce the risk of information loss, save your work before initiating hibernation.

You can disable hibernation. However, if hibernation is disabled and the system reaches a low-battery condition, the system will not automatically save your work while power is on or when standby has been initiated.

Use **Power Options** in Microsoft® Windows® Control Panel to reenable hibernation:

- » Select **Start > Control Panel > Performance & Maintenance > Power Options > Hibernate** tab.

Be sure that the **Enable hibernation** check box is selected.

To set the time interval after which the system initiates hibernation:

1. Select **Start > Control Panel > Performance & Maintenance > Power Options**.
2. Click one of the intervals in the **System hibernates** list.

Initiating standby, hibernation or shutdown

The following sections explain when to initiate standby or hibernation and when to shut down the computer.



You cannot perform any computer functions while the computer is in standby or hibernation.

When you leave your work

When standby is initiated, your work is stored in random access memory (RAM), and then the screen is cleared. When the computer is in standby, it uses less power than when it is on. Your work returns instantly to the screen when you resume from standby.

Initiating hibernation saves your work to a hibernation file on the hard drive, and then shuts down the computer. When the computer is in hibernation, it uses much less power than when it is in standby.

When the computer will be unused and disconnected from external power for an extended period, shut down the computer and remove the battery to extend the life of the battery. For details on battery storage, refer to “[Storing a battery](#).”

When a reliable power supply is unavailable

Be sure that hibernation remains enabled, especially if you are operating the computer on battery power and do not have access to an external power supply. If the battery fails, hibernation saves your work to a hibernation file and shuts down the computer.

If you pause your work when the power supply is uncertain, take one of the following actions:

- Save your work, and then initiate standby.
- Initiate hibernation.
- Shut down the computer.

When using wireless communication, or readable or writable drive media



CAUTION: To prevent possible audio and video degradation, or loss of audio or video playback functionality, do not initiate standby or hibernation while reading or writing to a CD, a DVD, or an external media card. To prevent loss of information, do not initiate standby or hibernation while writing to a CD, a DVD, or an external media card.

Note the following guidelines:

- If the computer is in standby or hibernation, you cannot initiate a wireless transmission.
- If standby or hibernation is accidentally initiated during playback of a medium such as a CD, a DVD, or an external media card:
 - Your playback may be interrupted.
 - You may see the following warning message: “Putting the computer into hibernation or standby may stop the playback. Do you want to continue?” Click **No**.
 - You may need to restart the media to resume audio and video playback.


4

Factory power settings

This section explains the default standby, hibernation, and shutdown procedures. For information about changing the function of some of the power features on the computer, refer to [“Power options.”](#)

The controls and lights discussed in this chapter are illustrated in [“Power control and light locations.”](#)

Turning the computer or display on or off

Task	Procedure	Result
Turn on the computer.	Press the power button.	<ul style="list-style-type: none">■ The power lights are turned on.■ The operating system loads.
Shut down the computer.	<ol style="list-style-type: none">1. Save your work and close all open applications.2. Shut down the computer through the operating system by selecting Start > Turn Off Computer > Turn Off.* <p> If the system is unresponsive and you are unable to shut down the computer with these procedures, refer to “Using emergency shutdown procedures.”</p>	<ul style="list-style-type: none">■ The power lights are turned off.■ The operating system shuts down.■ The computer is turned off.
Turn off the display while the power is on.	Close the computer.	Closing the computer activates the display switch, which initiates standby.

*If you have been registered to a network domain, the button you click will be called Shut Down instead of Turn Off Computer.

Using emergency shutdown procedures



CAUTION: Emergency shutdown procedures result in the loss of unsaved information.

If the computer is unresponsive and you are unable to use normal Windows shutdown procedures, try the following emergency procedures in the sequence provided:

- Press **ctrl+alt+delete**. Then, select **Shut Down > Turn Off**.
- Press and hold the power button for at least 5 seconds.
- Disconnect the computer from external power and remove the battery. For more information about removing and storing the battery, refer to “[Batteries](#).”

Initiating or resuming from standby

Task	Procedure	Result
Initiate standby.	<ul style="list-style-type: none"> ■ With the computer on, press fn+f3. ■ Select Start > Turn Off Computer > Stand by.[*] In Windows XP Professional, if Stand by is not displayed: <ol style="list-style-type: none"> 1. Click the down arrow. 2. Select Stand by from the list. 3. Click OK. ■ Close the computer. 	<ul style="list-style-type: none"> ■ The power lights blink. ■ The screen clears.
Allow the system to initiate standby.	<ul style="list-style-type: none"> No action required. ■ If the computer is running on battery power, the system initiates standby after 10 minutes of computer inactivity (factory setting). ■ If the computer is attached to external power, the system initiates standby after 25 minutes of computer inactivity (factory setting). ■ Power settings and timeouts can be changed using Power Options in Windows Control Panel. 	<ul style="list-style-type: none"> ■ The power lights blink. ■ The screen clears.
Resume from user-initiated or system-initiated standby.	<ul style="list-style-type: none"> Press the power button. 	<ul style="list-style-type: none"> ■ The power lights are turned on. ■ Your work returns to the screen.

^{*}If you have been registered to a network domain, the button you click will be called Shut Down instead of Turn Off Computer.


Initiating or restoring from hibernation

Hibernation cannot be initiated unless it is enabled. Hibernation is enabled by default.

To verify that hibernation remains enabled:

- » Select **Start > Control Panel > Performance & Maintenance > Power Options > Hibernate** tab.

If hibernation is enabled, the **Enable hibernation** check box is selected.

Task	Procedure	Result
Initiate hibernation.	<ul style="list-style-type: none"> ■ Select Start > Turn Off Computer.[*] Then, hold down the shift key as you select Hibernate. <p>In Windows XP Professional, if hibernate is not displayed:</p> <ol style="list-style-type: none"> 1. Click the down arrow. 2. Select Hibernate from the list. 3. Click OK. 	<ul style="list-style-type: none"> ■ The power lights are turned off. ■ The screen clears.
Allow the system to initiate hibernation (with hibernation enabled).	<p>No action required. If the computer is running on battery power, the system initiates hibernation</p> <ul style="list-style-type: none"> ■ After 30 minutes of computer inactivity. ■ When the battery(s) reach a critical low-battery condition. <p> Power settings and timeouts can be changed using Power Options in Windows Control Panel.</p>	<ul style="list-style-type: none"> ■ The power lights are turned off. ■ The screen clears.

(Continued)

Task	Procedure	Result
Restore from user-initiated or system-initiated hibernation.	Press the power button. [†]	<ul style="list-style-type: none">■ The power lights are turned on.■ Your work returns to the screen.

*If you have been registered to a network domain, the button you click will be called Shut Down instead of Turn Off Computer.

[†]If the system initiated hibernation because of a critical low-battery condition, connect external power or insert a charged battery before you press the power button. (The system may not respond if the drained battery is the only power source.)

Power options

You can change many factory power settings in Windows Control Panel. For example, you can set an audio alert to warn you when the battery reaches a low-power condition, or you can change the factory settings for the power button.

When the computer is on:

- Pressing **fn+f3**, called the “sleep button” by the operating system, initiates standby.
- The display switch turns off the display and initiates standby. The display switch is activated by closing the display.

Accessing Power Options Properties

To access Power Options Properties:

- Right-click the **Power Meter** icon in the notification area, at the far right of the taskbar, and then click **Adjust Power Properties**.

– or –

- Select **Start > Control Panel > Performance & Maintenance > Power Options**.

Displaying the Power Meter icon

The Power Meter icon appears in the notification area, at the far right of the taskbar. The icon changes shape to indicate whether the computer is running on battery or external power.

To remove the Power Meter icon from the notification area:

1. Right-click the **Power Meter** icon in the notification area, and then click **Adjust Power Properties**.
2. Click the **Advanced** tab.
3. Clear the **Always show icon on the taskbar** check box.
4. Click **Apply** and then click **OK**.

To show the Power Meter icon in the notification area:

1. Select **Start > Control Panel > Performance & Maintenance > Power Options**.
2. Click the **Advanced** tab.
3. Select the **Always show icon on the taskbar** check box.
4. Click **Apply** and then click **OK**.



If you cannot see an icon you have placed in the notification area, at the far right of the taskbar, click the **Show Hidden Icon** icon (< or <<) in the notification area.

Setting or changing a power scheme

The Power Schemes tab in the **Power Options Properties** dialog box assigns power levels to system components. You can assign different schemes, depending on whether the computer is running on battery or external power.

You can also set a power scheme that initiates standby or turns off the display or hard drive after a time interval that you specify.

To set a power scheme:

1. Right-click the **Power Meter** icon in the notification area, and then click **Adjust Power Properties**.
2. Click the **Power Schemes** tab.
3. Select the power scheme you want to modify, and adjust options in the lists on the screen.
4. Click **Apply**.

Setting a security prompt

You can add a security feature that prompts you for a password when the computer is turned on, resumes from standby, or restores from hibernation.

To set a password prompt:

1. Right-click the **Power Meter** icon in the notification area, and then click **Adjust Power Properties**.
2. Click the **Advanced** tab.
3. Select the **Prompt for password when computer resumes from standby** check box.
4. Click **Apply**.

Processor performance controls



CAUTION: To prevent computer overheating, do not obstruct vents. Use the computer only on a hard, flat surface. Do not allow another hard surface, such as a printer, or a soft surface, such as pillows, thick rugs, or clothing, to block the airflow. Overheating can damage the computer and reduce processor performance.



In some cases, the computer may operate at a higher speed on external power than on battery power. If the battery power is extremely low, the computer may attempt to conserve power by reducing processor speed, which results in reduced graphics performance.

Windows XP enables you to manage the processor performance controls by selecting a power scheme. The processing speed can be set for optimal performance or for optimal power conservation.

Processor performance controls are managed in the **Power Options Properties** dialog box.

To access Windows XP processor performance controls:

- » Select **Start > Control Panel > Performance & Maintenance > Power Options**.

The power scheme you select determines how the processor performs when the computer is plugged into external power or is running on battery power. Each power scheme for external power or battery power sets a specific processor state.

After a power scheme has been set, no other steps are required to control the performance of the computer processor. The following table describes the processor performance on external and battery power for the available power schemes.

Power scheme	Processor performance while on external power	Processor performance while on battery power
Home/Office Desk	Always runs at the highest performance state.	Performance state is determined based on CPU demand.
Portable/Laptop (default)*	Performance state is determined based on CPU demand.	Performance state is determined based on CPU demand.
Presentation	Performance state is determined based on CPU demand.	Performance state is determined based on CPU demand.
Always On	Always runs at the highest performance state.	Always runs at the highest performance state.
Minimal Power Management	Performance state is determined based on CPU demand.	Performance state is determined based on CPU demand.
Max Battery	Performance state is determined based on CPU demand.	CPU performance is lowered, but battery life is extended.

*For best results, the Portable/Laptop power scheme is recommended.

Batteries

When a charged battery is in the computer and the computer is not plugged into external power, the computer runs on battery power. When the computer is plugged into AC power, the computer runs on AC power.

If the computer contains a charged battery and is running on AC power supplied through the AC adapter, the computer switches to battery power if the AC adapter is disconnected from the computer.



The display brightness is automatically decreased to save battery life when you disconnect AC power. To increase display brightness, use the **fn+f10** hotkey or reconnect the AC adapter.

You can keep a battery in the computer or in storage, depending on how you work. Keeping the battery in the computer whenever the computer is plugged into external AC power enables the battery to charge and also protects your work in case of a power outage.

However, a battery in the computer slowly discharges when the computer is turned off and not plugged into external power.

Identifying batteries

This computer supports up to 2 batteries:

- One primary lithium-ion battery is included with the computer.
- An optional accessory battery that can be attached to the bottom of the computer.

If the computer will be unused and disconnected from external power for more than 2 weeks, remove the battery and store it as described in “[Storing a battery](#).” For more information about leaving your work, refer to “[Standby and hibernation](#).”



WARNING: To reduce potential safety issues, only the battery provided with the computer, a replacement battery provided by HP, or a compatible battery purchased as an accessory from HP should be used.

Inserting or removing the primary battery



CAUTION: To prevent loss of information when removing a battery that is the sole power source, initiate hibernation or turn off the computer before removing the battery.

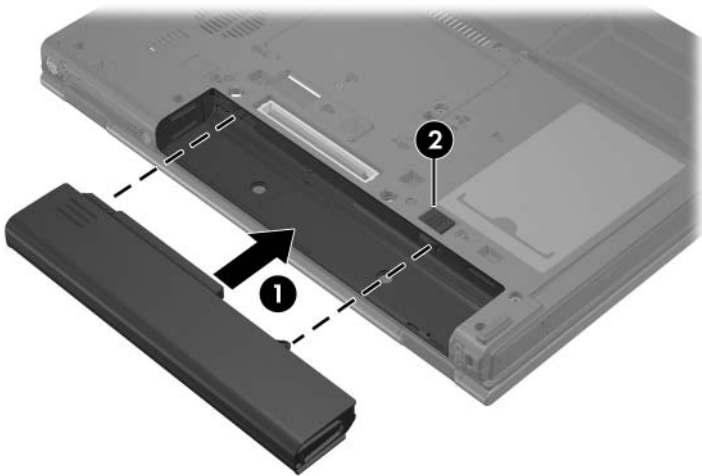


Batteries may vary in appearance by model.

To insert a primary battery:

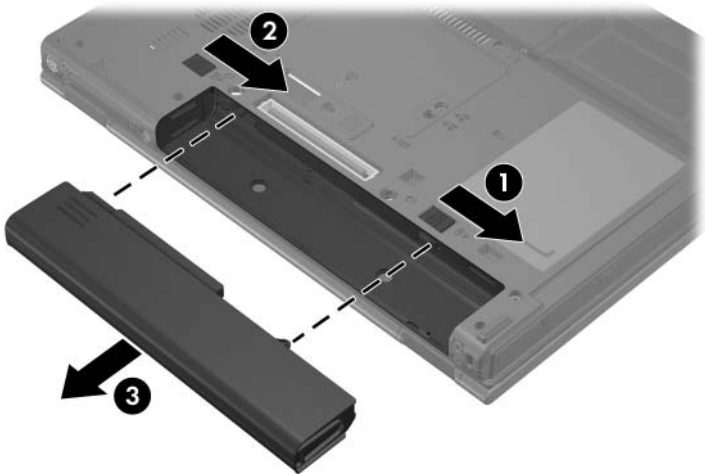
1. Turn the computer upside down on a flat surface, with the battery bay toward you.
2. Slide the battery **1** into the battery bay until it is seated.

The battery release latches **2** automatically lock the battery into place.



To remove a primary battery:

1. Turn the computer upside down on a flat surface, with the battery bay toward you.
2. Slide the right-hand battery release latch **1** to the right.
3. Slide and hold the left-hand battery release latch **2** to the right.
4. Slide the battery **3** out of the computer.



Charging multiple batteries

Multiple batteries in the system charge and discharge in a preset sequence:

- Charge sequence:
 1. Primary battery in the computer battery bay
 2. Optional accessory battery
- Discharge sequence:
 1. Optional accessory battery
 2. Primary battery in the computer battery bay

While a battery is charging, the battery light on the computer is amber. When the battery is almost fully charged, the battery light is green. The light is turned off when all batteries are fully charged.

The primary battery charges when it is inserted into the computer and the computer is plugged into external power. External power can be supplied through the following:

- AC adapter included with the computer
- Optional docking device
- Optional power adapter



WARNING: To reduce potential safety issues, only the AC adapter provided with the computer, a replacement AC adapter provided by HP, or an AC adapter purchased as an accessory from HP should be used with the computer.



Use only the included AC adapter or one approved for this computer.

Charging a battery

To prolong battery life and optimize the accuracy of battery charge displays:



WARNING: Do not charge the computer battery while you are onboard aircraft.

- If you are charging a new battery:
 - ❑ Charge the battery while the computer is plugged into external power through the AC adapter.
 - ❑ When you charge the battery, charge it fully before turning on the computer.
- If you are charging an in-use battery:
 - ❑ Allow the battery to discharge to about 10 percent of a full charge through normal use before charging it.
 - ❑ When you charge the battery, charge it fully before turning on the computer.

A battery inserted in the computer charges whenever the computer is plugged into external power.

A battery inserted in the computer charges whether the computer is off or in use, but the battery charges faster while the computer is off. Charging may be delayed if a battery is new, has been unused for 2 weeks or more, or is much warmer or cooler than room temperature.

The battery light displays charge status:

- On: The battery is charging.
- Blinking: The battery has reached a low-battery condition and is not charging.
- Blinking rapidly: The battery has reached a critical low-battery condition and is not charging.
- Off: The battery is fully charged or not installed.

For information about determining the amount of charge in a battery, refer to “[Monitoring the charge of a battery.](#)”

Monitoring the charge of a battery

This section explains several ways to determine the amount of charge in your battery.

Obtaining accurate charge information

To increase the accuracy of all battery charge indicators:

- Allow a battery to discharge to about 10 percent of a full charge through normal use before charging it.
- Fully charge a battery before turning on the computer.
- If a battery has been unused for one month or more, calibrate the battery instead of simply charging it. For calibration instructions, refer to “[Calibrating a battery.](#)”

Displaying charge information on the screen

This section explains how to access and interpret battery charge indicators.

Viewing charge displays

To view information about the status of any battery in the computer:

- Double-click the **Power Meter** icon in the notification area, at the far right of the taskbar.

– or –

- Select **Start > Control Panel > Performance & Maintenance > Power Options > Power Meter** tab.

Interpreting charge indicators

Most charge indicators report battery status as both a percentage and as the number of minutes of charge remaining:

- The percentage indicates the approximate amount of charge remaining in the battery.
- The time indicates the approximate running time remaining on the battery *if the battery continues to provide power at the current level*. For example, the time remaining will decrease when you start playing a DVD and will increase when you stop playing a DVD.

When a battery is charging, a lightning bolt icon may be superimposed over the battery icon on the Power Meter screen.

Managing low-battery conditions

The information in this section describes the alerts and system responses set at the factory. Some low-battery condition alerts and system responses can be changed using Power Options in Windows Control Panel. Preferences set using Power Options do not affect lights.

Identifying low-battery conditions

This section explains how to identify low-battery and critical low-battery conditions.

Low-battery condition

When a battery that is the sole power source for the computer reaches a low-battery condition, the battery light blinks in an amber color.

Critical low-battery condition

If a low-battery condition is not resolved, the computer enters a critical low-battery condition, and the battery light blinks more rapidly.

In a critical low-battery condition:

- If hibernation is enabled and the computer is on or in standby, the computer initiates hibernation.
- If hibernation is disabled and the computer is on or in standby, the computer remains briefly in standby, and then shuts down and loses any unsaved information.

To verify that hibernation is enabled:

1. Select **Start > Control Panel > Performance & Maintenance > Power Options > Hibernate** tab.
2. Be sure the **Enable hibernation** check box is selected.

Resolving low-battery conditions



CAUTION: To reduce the risk of losing information when the computer reaches a critical low-battery condition and has initiated hibernation, do not restore power until the power lights are turned off.

When external power is available

To resolve a low-battery condition when external power is available, connect one of the following:

- AC adapter included with the computer
- Optional docking device
- Optional power adapter

When a charged battery is available

To resolve a low-battery condition when a charged battery is available:

1. Turn off the computer or initiate hibernation.
2. Insert a charged battery.
3. Turn on the computer.

When no power source is available

To resolve a low-battery condition when no power source is available:

- Initiate hibernation.

– or –

- Save your work and shut down the computer.

When the computer cannot restore from hibernation

To resolve a low-battery condition when the computer lacks the power to restore from hibernation:

1. Insert a charged battery or plug the computer into external power.
2. Restore from hibernation by pressing the power button.

Calibrating a battery

When to calibrate

Even if a battery is heavily used, it should not be necessary to calibrate it more than once a month. It is not necessary to calibrate a new battery before first use. Calibrate the battery under the following conditions:

- When battery charge displays seem inaccurate
- When you observe a significant change in battery run time
- When the battery has been unused for one month or more

How to calibrate

Three steps are involved in calibrating a battery: fully charging, fully discharging, and then fully recharging.

Step 1: Charging the battery

A battery can charge whether the computer is off or in use, but it will charge faster when the computer is off.



WARNING: Do not charge the computer battery while you are onboard aircraft.

To charge the battery:

1. Insert the battery into the computer.
2. Connect the computer to an AC adapter, optional power adapter, or optional docking device, and then plug the adapter or device into external power.

The battery light on the computer is turned on.

3. Leave the computer plugged into external power until the battery is fully charged.

The battery light on the computer is turned off.

Step 2: Discharging the battery

Before you begin a full discharge, disable hibernation.

To disable hibernation:

1. Select **Start > Control Panel > Performance & Maintenance > Power Options > Hibernate** tab.
2. Clear the **Enable hibernation** box.
3. Click **Apply**.

The computer must remain on while the battery is being discharged. The battery can discharge whether or not you are using the computer but will discharge faster while the computer is in use.

- If you plan to leave the computer unattended during the discharge, save your work before beginning the discharge procedure.
- If you use the computer occasionally during the discharge procedure and have set energy-saving timeouts, expect the following performance from your system during the discharge process:
 - The monitor will not turn off automatically.
 - Hard drive speed will not decrease automatically while the computer is idle.
 - System-initiated standby will not occur.

To fully discharge a battery:

1. Right-click the **Power Meter** icon in the notification area, at the far right of the taskbar, and then click **Adjust Power Properties**.

– or –

Select **Start > Control Panel > Performance & Maintenance > Power Options > Power Schemes** tab.

2. Record the 4 settings in the **Running on batteries** and **Plugged in** columns so that you can reset them after the calibration.
3. Set the 4 options to **Never**.
4. Click **OK**.
5. Unplug the computer from its external power source, but do *not* turn off the computer.
6. Run the computer on battery power until the battery is fully discharged. The battery light begins to blink in an amber color when the battery has discharged to a low-battery condition. When the battery is fully discharged, the battery light is turned off and the computer shuts down.

Step 3: Recharging the battery

To recharge the battery:

1. Plug the computer into external power and maintain external power until the battery is fully recharged. When the battery is recharged, the battery light on the computer is turned off.

You can use the computer while the battery is recharging, but the battery will charge faster if the computer is off.
2. If the computer is off, turn it on when the battery is fully charged and the battery light is turned off.
3. Select **Start > Control Panel > Performance & Maintenance > Power Options > Power Schemes** tab.
4. Reenter the settings that you recorded for the items in the **Plugged in** column and the **Running on batteries** column.
5. Click **OK**.



CAUTION: After calibrating the battery, reenable hibernation. Failure to reenable hibernation may result in a complete battery discharge and potential information loss.

Conserving battery power

Using the battery conservation procedures and settings described in this section extends the time that a battery can run the computer from a single charge.

Conserving power as you work

To conserve power as you use the computer:

- Turn off wireless and local area network (LAN) connections and exit modem software when you are not using it.
- Disconnect external devices that are plugged into an external power source, if you are not using them.
- Stop, disable, or remove any external media cards that you are not using.
- Use the **fn+f9** and **fn+f10** hotkeys to adjust screen brightness as you need it.
- Use optional powered speakers instead of the internal speakers, or adjust system volume as you need it.
- Press **fn+f4** to switch the screen image from the computer display to an external display device.
- If you leave your work, initiate standby or hibernation, or shut down the computer.

Selecting power conservation settings

To set the computer to conserve power:

- Select a short wait for the screen saver, and select a screen saver with minimal graphics and motion.

To access screen saver settings:

Select **Start > Control Panel > Appearance and Themes > Choose a screen saver.**

- Select a Power Scheme with low-power-use settings through the operating system. For more information, refer to “[Setting or changing a power scheme.](#)”

Storing a battery



CAUTION: To prevent damage to a battery, do not expose it to high temperatures for extended periods of time.

If a computer will be unused and unplugged from external power for more than 2 weeks, remove the battery and store it separately.

To prolong the charge of a stored battery, place it in a cool, dry place.

Calibrate a battery before using it if it has been stored for one month or more.

Disposing of a used battery



WARNING: To reduce the risk of fire or burns, do not disassemble, crush, or puncture a battery; short the external contacts on a battery; or dispose of a battery in fire or water. Do not expose a battery to temperatures above 60°C (140°F). Replace the battery only with a battery approved for this computer.

Refer to *Regulatory, Safety, and Environmental Notices* for battery disposal information.

Index

A

AC adapter 2-1, 2-2, 7-5

B

battery charge information 7-7

battery light

displaying charge status
7-5, 7-9

identifying 1-3

battery pack

battery power vs. AC
power 7-1

calibrating 7-12

charging 7-5, 7-12

conserving power 7-15

disposing of 7-16

identifying 7-2

inserting 7-3

low-battery conditions 7-9

monitoring charge 7-7

recharging 7-14

removing 7-3

storing 7-16

using 7-1

battery pack release latch 7-4

button, power 1-3

C

calibration, battery 7-12

charging battery packs 7-5

computer display, turning on
or off 4-2

conservation, power 7-15

critical low-battery condition
7-9

D

default power settings 4-1

display switch, identifying 1-2

drive media 3-4

E

emergency shutdown
procedures 4-3

F

fn+f3 hotkey 1-3, 4-4, 4-5

H

hibernation

defined 3-2

enabling/disabling 3-2

initiated during critical

low-battery condition 7-9

initiating 4-5

restoring from 4-5

when to use 3-1

hibernation file 3-2

hotkeys, **fn+f3** 1-3, 4-4, 4-5

L

- lights, power 1–2
- low-battery condition 7–9

O

- operating system 4–2
- optional power adapter 2–1, 7–5

P

- passwords, security 5–3
- power
 - conserving 7–15
 - control and light locations 1–1
 - schemes 5–3
 - setting preferences 5–1
 - sources 2–1
- power button 1–3
- power light 1–2
- Power Meter icon 5–2
- power settings 4–1
- power supply 3–3
- processor performance
 - controls 6–1

R

- readable media 3–4
- release latch, battery pack 7–4
- reset (emergency shutdown procedures) 4–3

S

- screen saver 7–16
- security passwords 5–3
- shutdown procedures 4–3
- shutting down 4–2
- software, Power Meter 5–1

standby

- defined 3–1
- initiating 4–4
- resuming from 4–4

switches

- display 1–2
- identifying 1–2

T

- temperature, storage, battery pack 7–16
- traveling with the computer, battery pack temperature considerations 7–16
- turning off computer 4–2
- turning off the computer 4–3

U

- unresponsive system, emergency shutdown procedures 4–3

W

- writable media 3–4

© Copyright 2006 Hewlett-Packard Development Company, L.P.

Microsoft and Windows are U.S. registered trademarks of Microsoft Corporation. Bluetooth is a trademark owned by its proprietor and used by Hewlett-Packard Company under license.

The information contained herein is subject to change without notice. The only warranties for HP products and services are set forth in the express warranty statements accompanying such products and services. Nothing herein should be construed as constituting an additional warranty. HP shall not be liable for technical or editorial errors or omissions contained herein.

Power

First Edition: May 2006

Document Part Number: 409915-001