

Drives

User Guide

© Copyright 2006 Hewlett-Packard
Development Company, L.P.

The information contained herein is subject to change without notice. The only warranties for HP products and services are set forth in the express warranty statements accompanying such products and services. Nothing herein should be construed as constituting an additional warranty. HP shall not be liable for technical or editorial errors or omissions contained herein.

First Edition: March 2006

Document Part Number: 406598-001

Table of contents

1 Drive care

2 Drive light

3 Hard drives

HP Mobile Data Protection with digital accelerometer	5
HP Mobile Data Protection status	5
HP Mobile Data Protection software	6
Replacing the hard drive	7

4 Optical drives(select models only)

Inserting an optical disc	14
Removing an optical disc (with power)	15
Removing an optical disc (without power)	16
Avoiding standby or hibernation	17

5 External drives

Optional external devices	20
Optional External MultiBay and External MultiBay II	21

Index	23
--------------------	-----------

1 Drive care

Drives are fragile computer components that must be handled with care. Refer to the following cautions before handling drives. Additional cautions are included with the procedures to which they apply.



CAUTION To reduce the risk of damage to the computer, damage to a drive, or loss of information, observe these precautions:

Initiate standby, and allow the screen to clear, before you move a computer or external hard drive from one location to another.

Before handling a drive, discharge static electricity by touching the unpainted metal surface of the drive.

Do not touch the connector pins on a removable drive or on the computer.

Handle a drive carefully; do not drop or compress the drive.

Before removing or inserting a drive, shut down the computer. If you are unsure whether the computer is off or in hibernation, turn the computer on, and then shut it down through the operating system.

Do not use excessive force when inserting a drive into a drive bay.

Do not type on the keyboard or move the computer when the optical drive(select models only) is writing to a medium. The write process is sensitive to vibration.

When the battery pack is the only source of power, ensure that the battery pack is sufficiently charged before writing to a medium.

Avoid exposing a drive to temperature or humidity extremes.

Avoid exposing a drive to liquids. Do not spray it with cleaning products.

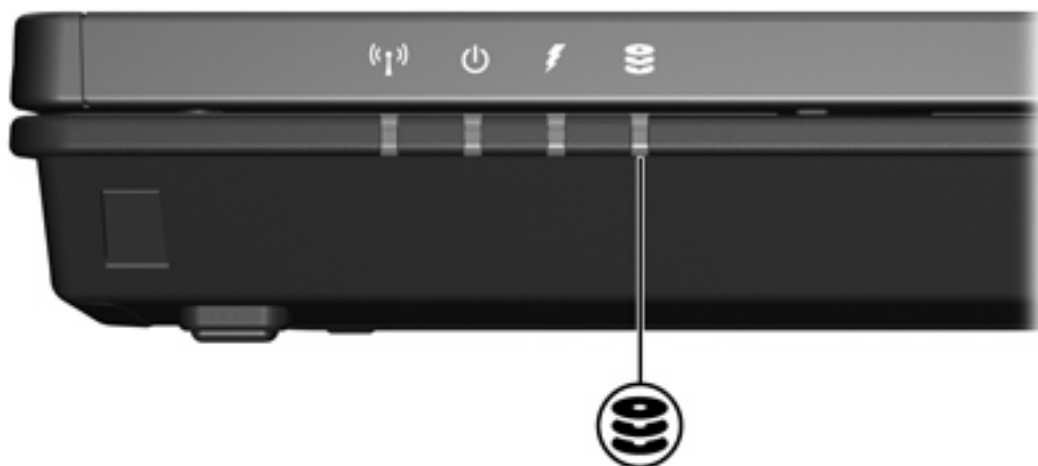
Remove the medium from a drive before removing the drive from the drive bay, or traveling with, shipping, or storing a drive.

If a drive must be mailed, place the drive in a bubble-pack mailer or other suitable protective packaging and label the package "FRAGILE."

Avoid exposing a drive to magnetic fields. Security devices with magnetic fields include airport walk-through devices and security wands. The airport security devices that check carry-on luggage, such as conveyor belts, use x-rays instead of magnetism and will not damage a drive.

2 Drive light

The drive light blinks when either the primary hard drive or an optical drive is being accessed. The drive light changes to amber when the computer is dropped or moved while running on battery power. The amber color indicates that the hard drive has been temporarily parked by HP Mobile Data Protection.



3 Hard drives

HP Mobile Data Protection with digital accelerometer

HP Mobile Data Protection with digital accelerometer protects the disk drive by parking the drive and halting I/O requests when you

- Drop the computer.
- Move the computer with the display closed while the computer is running on battery power.

A short time after the end of one of these events, HP Mobile Data Protection returns the disk drive to normal operation.



NOTE Only the primary internal disk drive is protected by HP Mobile Data Protection. Disk drives that are connected to a USB port or in an optional docking device are not protected.

For more information, refer to the HP Mobile Data Protection online Help.

HP Mobile Data Protection status

The drive light on the computer changes to an amber color to show that the drive is parked. In addition, an icon in the notification area, at the far right of the taskbar, of your computer indicates whether the drives are currently protected and whether the drive is parked:

- If the software is enabled, a green check mark is superimposed over the icon.
- If the software is disabled, a red X is superimposed over the icon.
- If the drives are parked, a yellow moon is superimposed over the icon.

If HP Mobile Data Protection has parked the drive, the computer

- Will not shut down.
- Will not initiate standby or hibernation, except as noted below.



NOTE If the computer is running on battery power and reaches a critical low-battery condition, HP Mobile Data Protection allows the computer to initiate hibernation.

- Will not activate battery alarms set on the Alarms tab in Power Options Properties.

HP recommends that you wait for the computer to completely shut down, or initiate standby or hibernation before you move it.

HP Mobile Data Protection software

The HP Mobile Data Protection software enables you to

- Enable and disable HP Mobile Data Protection.
- Hide or show the icon in the notification area.
- Determine whether a drive in the system is supported.

To open the software and change settings:

1. Double-click the icon in the notification area, at the far right of the taskbar.

– or –

Right-click the icon in the notification area, and then select **Settings**.

2. Click the appropriate button to change settings.
3. Click **OK**.

Replacing the hard drive



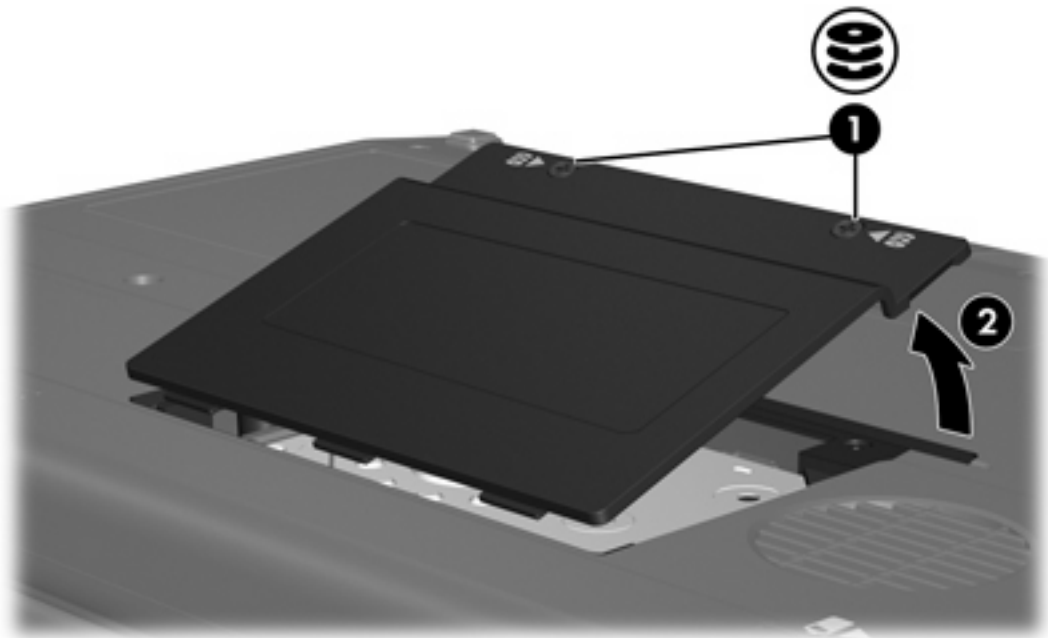
CAUTION To prevent system lockup and loss of information:

Shut down the computer before removing the hard drive from the hard drive bay. Do not remove the hard drive while the computer is on, in standby, or in hibernation.

If you are not sure whether the computer is off or in hibernation, turn the computer on by pressing the power button. Then shut down the computer through the operating system.

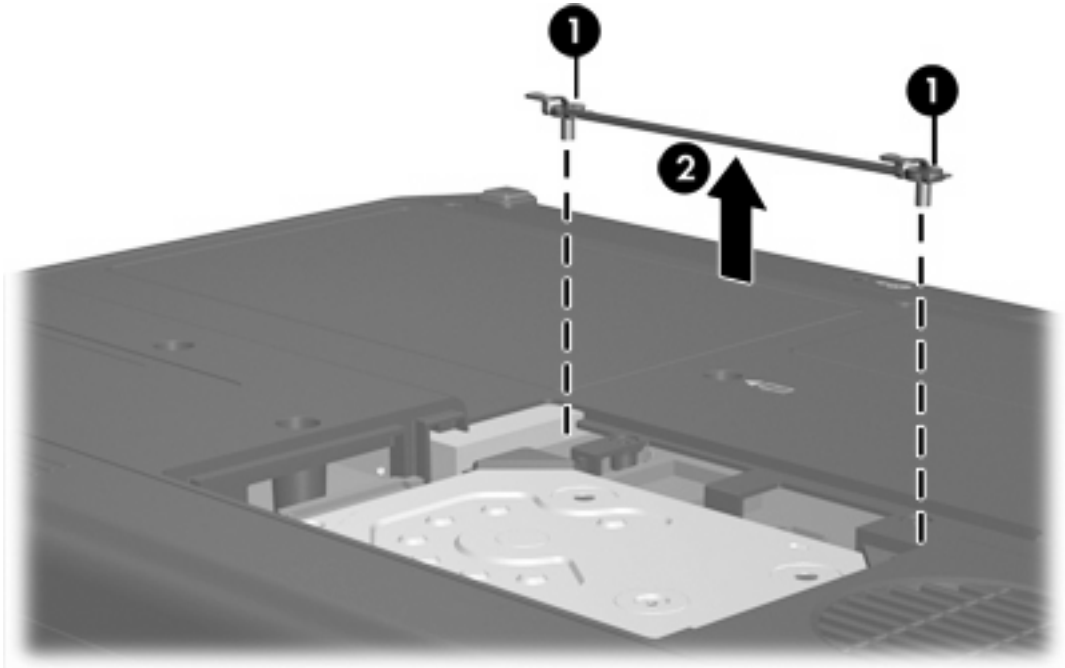
To remove the hard drive:

1. Save your work.
2. Shut down the computer and close the display.
3. Disconnect all external devices connected to the computer.
4. Unplug the power cord from the AC outlet.
5. Turn the computer upside down on a flat surface.
6. Remove the battery pack from the computer.
7. With the hard drive bay toward you, loosen the 2 hard drive cover screws (1).
8. Lift the hard drive cover away from the computer (2).

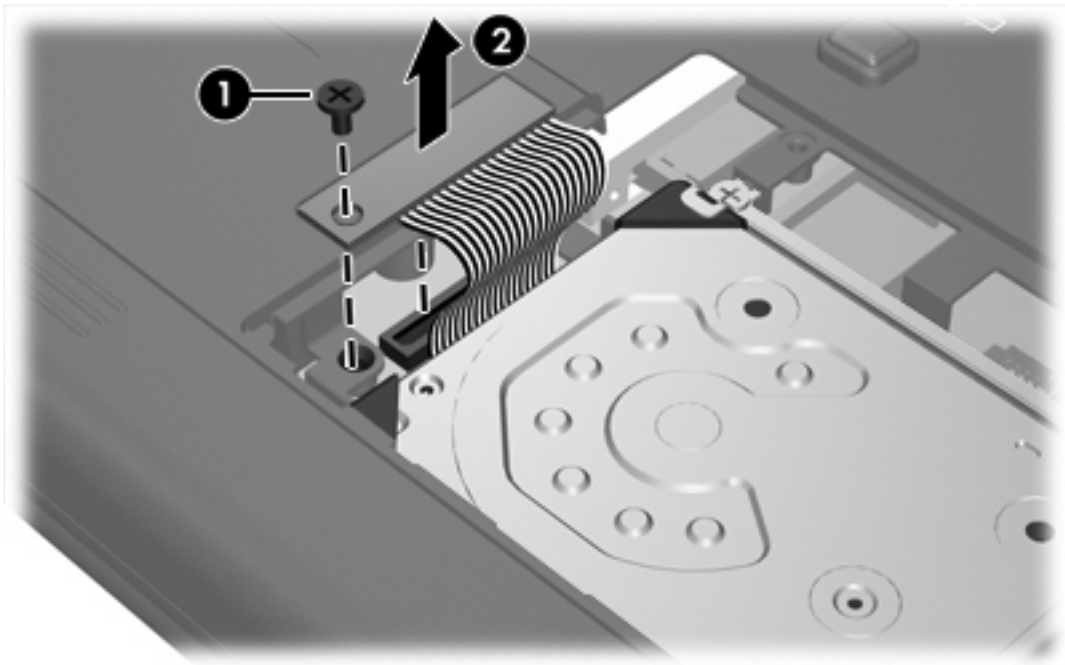


9. Loosen the two hard drive retention bracket screws (1)

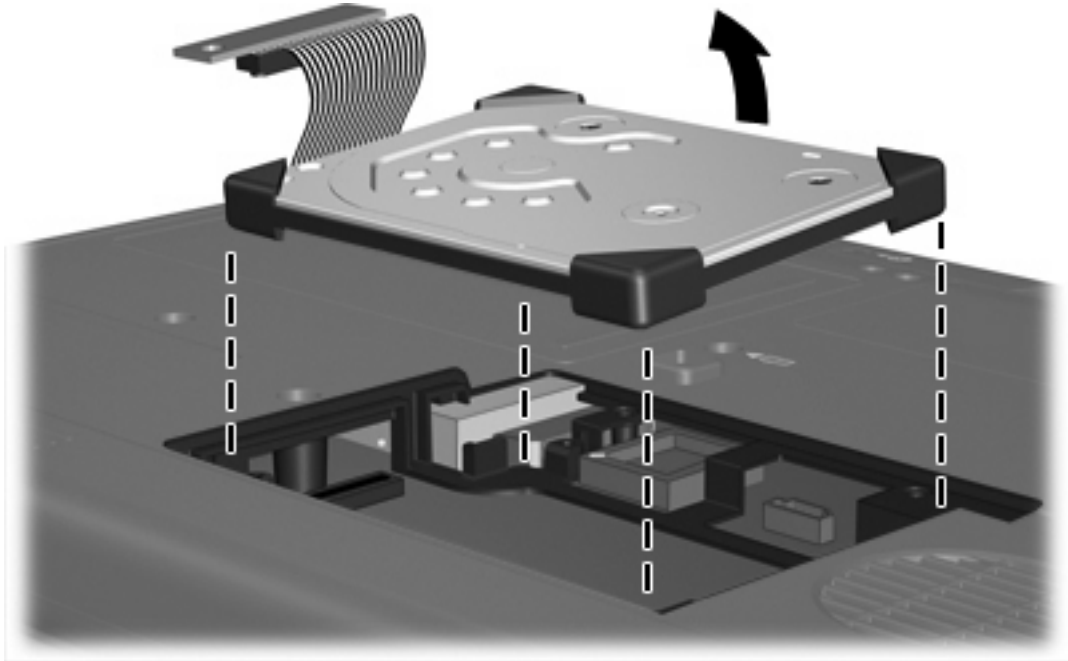
10. Remove the hard drive retention bracket (2).



11. Remove the hard drive cable connector screw (1).
12. Gently pull the end of the hard drive cable up to release the cable from the hard drive cable connector (2).

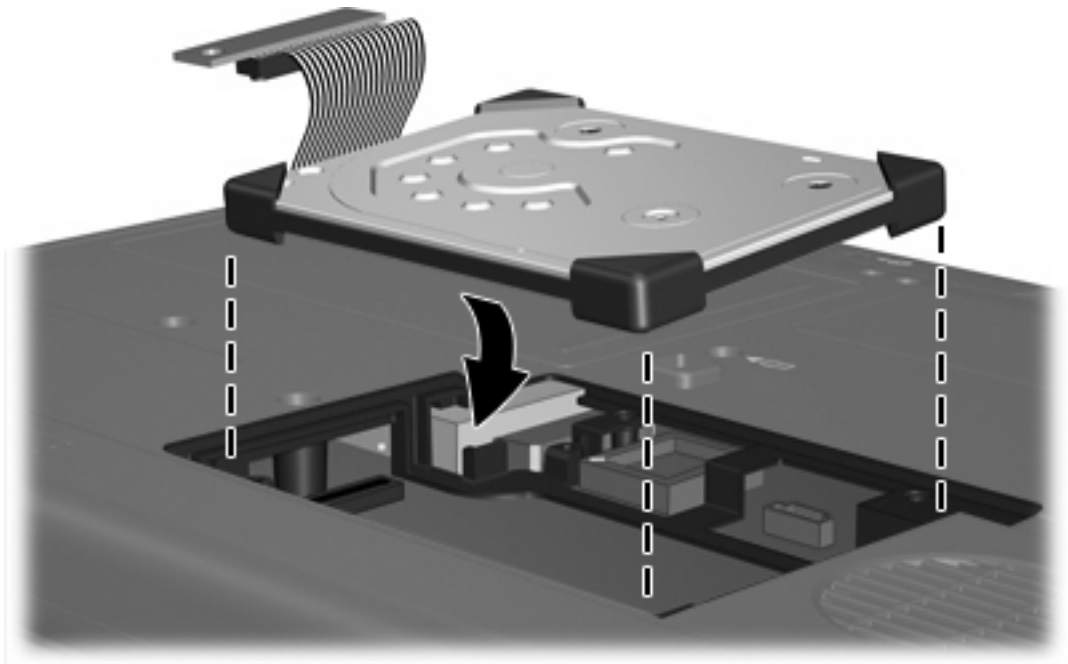


13. Lift the hard drive away from the computer.



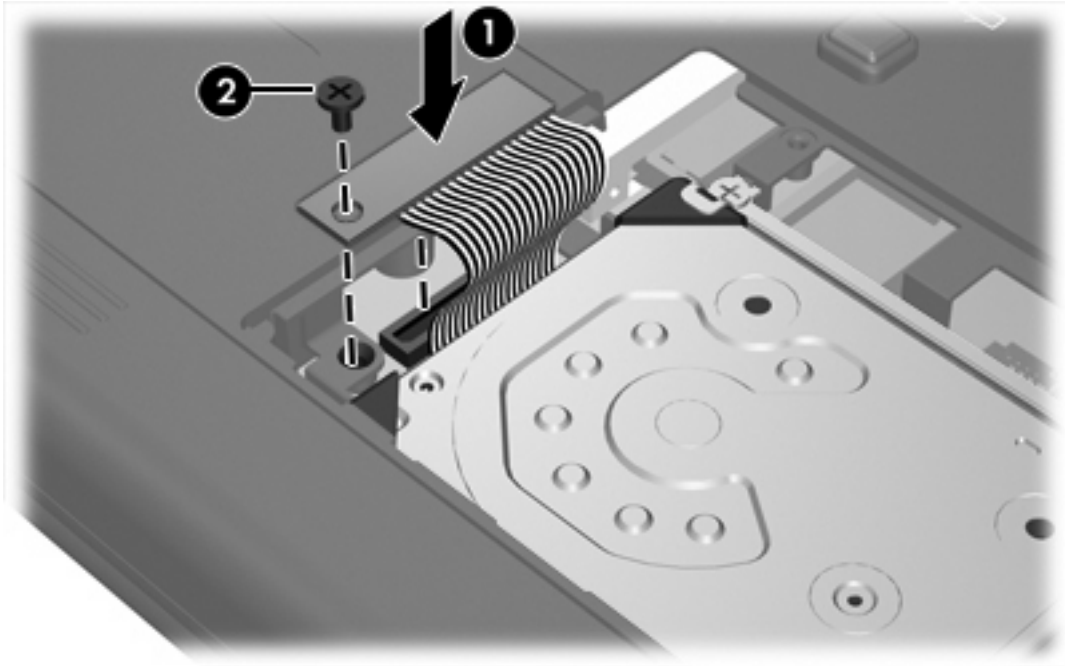
To install a hard drive:

1. Insert the hard drive into the hard drive bay until it is fully seated.

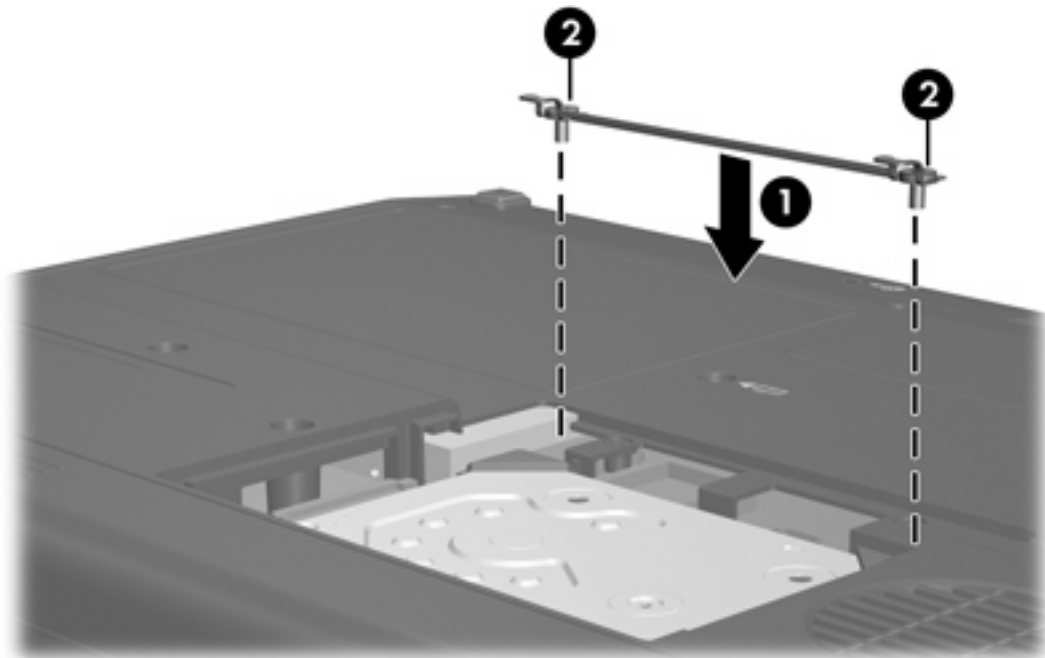


2. Align the end of the hard drive cable with the hard drive cable connector (1) and press down gently until the hard drive cable snaps into place.

3. Replace the hard drive cable connector screw (2).

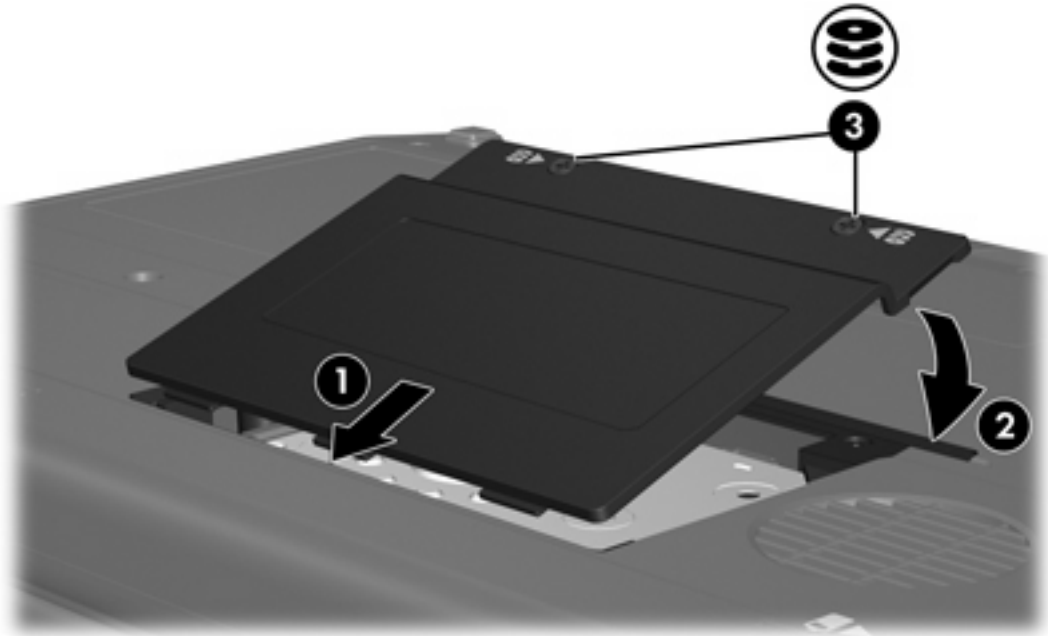


4. Replace the hard drive retention bracket (1).
5. Tighten the hard drive retention bracket screws (2).



6. Align the tabs (1) on the hard drive cover with the notches on the computer.
7. Close the cover (2).

8. Tighten the hard drive cover screws (3).



4 Optical drives(select models only)

The computer can read or write to optical drives as described in the following table.

Type of Optical Drive	Read CD and DVD-ROM	Write to CD-RW	Write to DVD \pm RW/R	Write to DVD+R DL
DVD-ROM Drive	Yes	No	No	No
DVD/CD-RW Combo Drive	Yes	Yes	No	No
DVD \pm RW Double Layer	Yes	Yes	Yes	Yes

Some of the optical drives listed may not be supported by your computer. The listed drives are not necessarily all of the supported optical drives.

An optical drive, such as a DVD-ROM drive, supports optical discs (CDs and DVDs). These discs are used to store or transport information and to play music and movies. DVDs have a higher capacity than CDs.

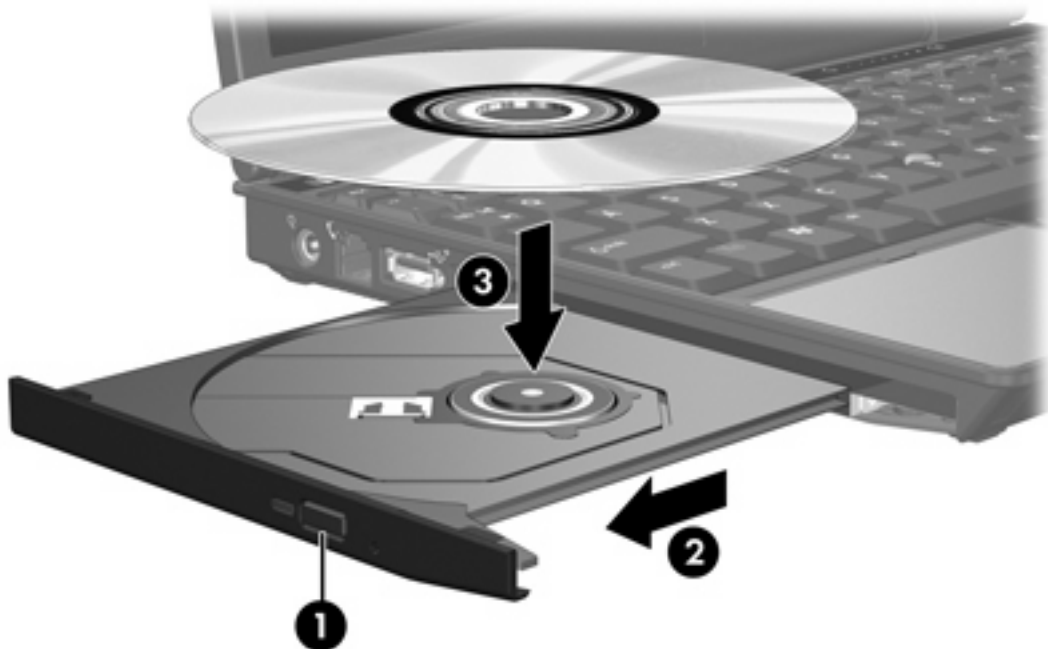
Inserting an optical disc

1. Turn on the computer.
2. Press the release button **(1)** on the drive bezel to release the media tray.
3. Pull out the tray **(2)**.
4. Hold the CD or DVD by the edges to avoid touching the flat surfaces, and position the disc over the tray spindle, with the label-side up.



NOTE If the tray is not fully accessible, tilt the disc carefully to position it over the spindle.

5. Gently press the disc **(3)** down onto the tray spindle until the disc snaps into place.



6. Close the media tray.



NOTE After you insert a disc, a short pause is normal. If you have not selected a default media player, an AutoPlay dialog box opens. It prompts you to select how you want to use the media content.

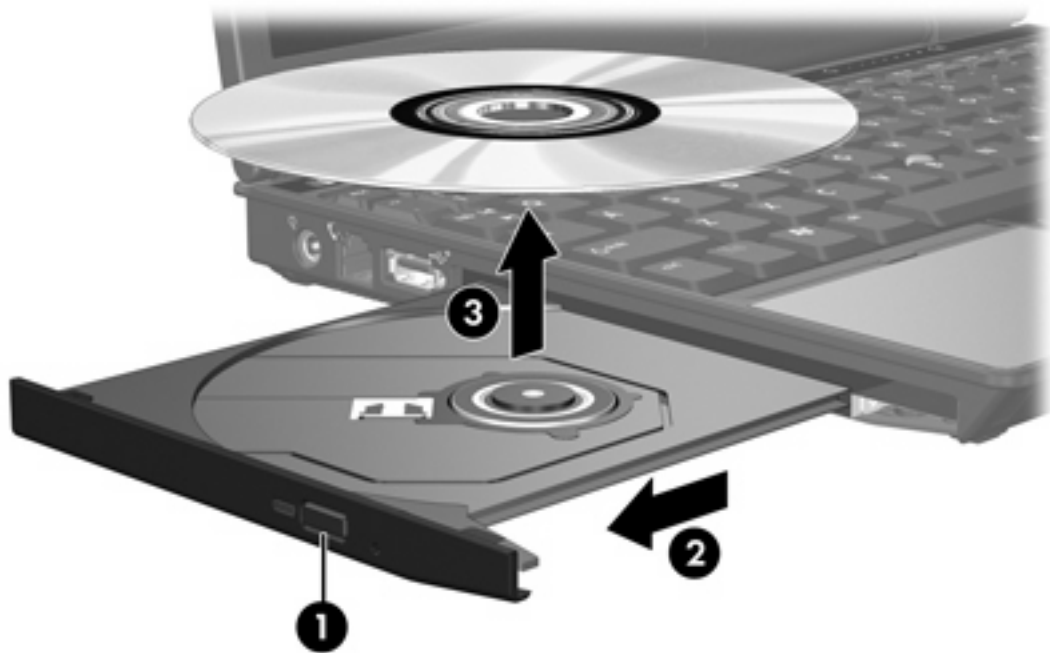
Removing an optical disc (with power)

If the computer is running on external or battery power:

1. Turn on the computer.
2. Press the release button (1) on the drive bezel to release the media tray, and then pull out the tray (2).
3. Remove the disc (3) from the tray by gently pressing down on the spindle while lifting the outer edges of the disc. Hold the disk by the edges and avoid touching the flat surfaces.



NOTE If the tray is not fully accessible, tilt the disc carefully as you remove it.



4. Close the media tray and place the disc in a protective case.

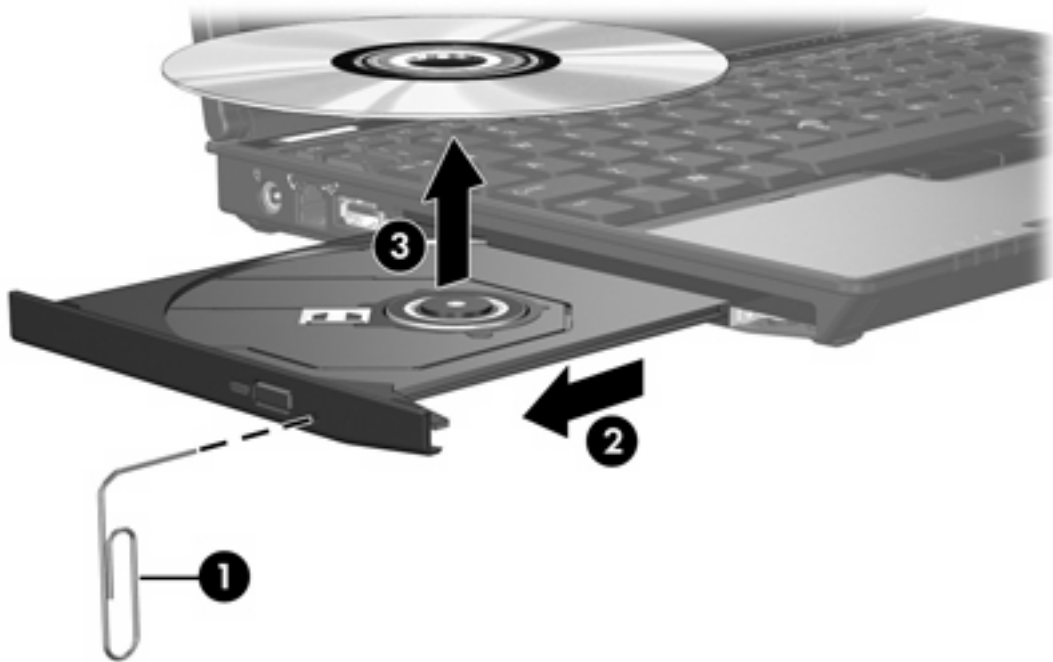
Removing an optical disc (without power)

If external or battery power is unavailable:

1. Insert the end of a paper clip (1) into the release access in the front bezel of the drive.
2. Press in gently until the tray is released, and then pull out the tray (2).
3. Remove the disc (3) from the tray by gently pressing down on the spindle while lifting the outer edges of the disc. Hold the disk by the edges and avoid touching the flat surfaces.



NOTE If the tray is not fully accessible, tilt the disc carefully as you remove it.



4. Close the media tray and place the disc in a protective case.

Avoiding standby or hibernation



CAUTION To prevent possible audio and video degradation, or loss of audio or video playback functionality, do not initiate standby or hibernation while reading or writing to a CD or DVD.

To prevent loss of information, do not initiate standby or hibernation when writing to a CD or DVD.

If standby or hibernation is accidentally initiated during playback of a drive medium (such as a CD or DVD):

- Your playback may be interrupted.
- You may see the following warning: "Putting the computer into hibernation or standby may stop the playback. Do you want to continue?" Click **No**.
- You may need to restart the CD or DVD to resume audio and video playback.

5 External drives

Removable external drives enable you to store and access information.

A USB drive can be added by connecting the drive to a USB port on the computer or on an optional docking device.

An external MultiBay or MultiBay II supports any MultiBay or MultiBay II device, including the following:

- 1.44-megabyte diskette drive
- Hard drive module (a hard drive with an adapter attached)
- DVD-ROM Drive
- DVD/CD-RW Combo Drive
- DVD+RW/R and CD-RW Combo Drive
- DVD±RW/R and CD-RW Combo Drive

Optional external devices



NOTE For information about required software, drivers, and which port on the computer to use, refer to the documentation included with the device.

To connect a standard external device to the computer:

1. If you are connecting a powered device, turn off the device.
2. Connect the device to the computer.
3. If you are connecting a powered device, plug the device power cord into a grounded electrical outlet.
4. Turn on the device.

To disconnect a standard external device from the computer, turn off the device, and then disconnect it from the computer.

Optional External MultiBay and External MultiBay II

An external MultiBay or MultiBay II connects to a USB port on the computer and enables you to use MultiBay and MultiBay II devices. The computer provides one powered USB port on the left side. This port provides power to the external MultiBay when used with a powered USB cable. The other USB port on the right side of the computer does not provide power to the external MultiBay. External MultiBays connected to this USB port must also be connected to AC power.

For more information about the external MultiBay, refer to the documentation that is included with the device.

Index

A

accelerometer 5
airport security devices 1

C

CD
 inserting 14
 removing, with power 15
 removing, without power 16
CD drive 13, 19

D

digital accelerometer 5
diskette drive 19
drive light 3, 5
drives
 caring for 1
 diskette 19
 drive light 3
 external 19
 hard 7, 9, 19
 MultiBay 19, 21
 optical 13, 19

DVD

 inserting 14
 removing, with power 15
 removing, without power 16
DVD drive 13, 19

E

external drive 19

H

hard disk drive
 external 19
 HP Mobile Data Protection 5
 installing 9
 removing 7
 replacing 7
hard drive

 external 19
 HP Mobile Data Protection 5
 installing 9
 removing 7
 replacing 7
hibernation 17
HP Mobile Data Protection 5

L

light, drive 3, 5

M

MultiBay 19, 21

O

optical disc
 inserting 14
 removing, with power 15
 removing, without power 16
optical drive 13, 19

S

standby 17

