

Network Installation Guide
Guide d'installation sur réseau
Handbuch für die Netzwerkinstallation
Guida di installazione in rete
Guía de instalación de red
Netwerkinstallatiehandleiding
Guia de instalação de rede
מדריך להתקנה ברשת

A large, stylized graphic of the HP logo, consisting of a white cross-like shape on a green background, with the lowercase letters 'hp' in white to its right.

Copyright and License

© 2006 Copyright Hewlett-Packard Development Company, L.P.

Reproduction, adaptation or translation without prior written permission is prohibited, except as allowed under the copyright laws.

The information contained herein is subject to change without notice.

The only warranties for HP products and services are set forth in the express warranty statements accompanying such products and services. Nothing herein should be construed as constituting an additional warranty. HP shall not be liable for technical or editorial errors or omissions contained herein.

Part number: 5851-2940

Edition 1, 11/2006

Trademark Credits

Windows® is a U.S. registered trademark of Microsoft Corporation.

Copyright et licence

© 2006 Copyright Hewlett-Packard Development Company, L.P.

Il est interdit de reproduire, adapter ou traduire ce manuel sans autorisation expresse par écrit, sauf dans les cas permis par les lois régissant les droits d'auteur.

Les informations contenues dans ce document sont sujettes à modification sans préavis.

Les seules garanties concernant les produits et services HP sont énoncées dans la garantie qui accompagne ces produits et services. Rien en ceci ne devra être interprété comme constituant une garantie supplémentaire. HP ne pourra être tenue pour responsable des erreurs techniques et rédactionnelles ou des omissions présentes dans ce document.

Numéro de référence : 5851-2940

Edition 1, 11/2006

Marques

Microsoft® est une marque déposée aux Etats-Unis de Microsoft Corporation.

Networked and Shared Printer Install Guide for Windows® Operating Systems

HP recommends that you use the HP software installer on the CD that comes with the printer to set up the printer using the network configurations described in this document. You are not required to install additional printer software using this installer.

You can also set up these configurations using the Add Printer Wizard, but instructions on how to do this are not included in this document. See the *User Guide*, located on the CD that shipped with the printer, for these instructions and for more detailed instructions on using the installer. Instructions for other operating systems can also be found there. The HP Jetdirect Administrator Guide and the Installation Notes, also located on the CD, have additional instructions.

Possible Network Configurations

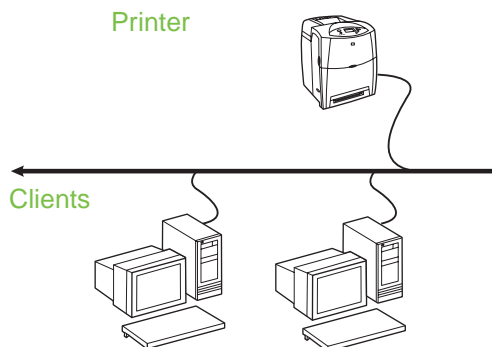
Four possible network printer configurations include:

1. The printer is connected directly to the network (direct mode or peer-to-peer printing). Each network user prints directly to the network address of the printer's network card.
2. The printer is connected directly to the network and a shared print queue is configured on a network file/print server (client-server printing). This shared print queue spools directly to the printer via a network port.
3. The printer is connected directly to a PC that acts as a print server, allowing the printer to be shared to PC clients on the network.
4. PC clients connect to a printer that has already been set up on the network, or connect to a print queue that is shared from either another PC client or file/print server.

The following sections provide information about each network configuration and provide basic installation information.

1 - Direct mode or peer-to-peer printing

The printer is connected directly to the network and all PCs or clients print directly to the printer.

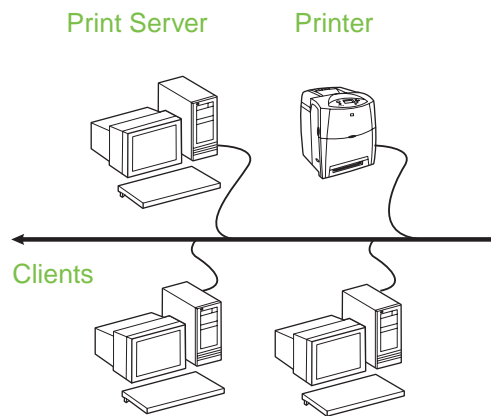


- **Recommended for groups of 10 to 20 users or small offices.**
- Requires a network connection on the printer or an internal or external print server. If the printer does not have one, use configuration 3 below.
- Installation overview:
 - Hardware setup - plug the printer directly into the network using a network cable.
 - Run the CD that came with the printer and follow the steps below for **each PC** to enable printing.
 - Information required during software setup - printer hardware or IP address obtained from page 2 of the printer configuration page. For instructions on how to print the configuration page, see the *User Guide* on the CD.

Installation steps:

1. Print a configuration page and note the IP address on the second page, under **TCP-IP**. For instructions on how to print the configuration page, see the *User Guide* on the CD. If the IP address is 0.0.0.0, wait for initialization to complete (2 or 3 minutes) and print another configuration page. If a valid IP address still is not found over the network, a default IP address (192.0.0.192 or 169.254.x.x) is assigned automatically. If you want to assign a particular IP address using the printer control panel, see the instructions at the end of this document.

2. Insert the CD that came with the printer. The software installer should start without assistance. If it does not, browse to setup.exe in the root directory of the CD, and double-click on it.
3. Select the language you would like the installer to display, and accept the License Agreement.
4. On the Printer Connection screen, select **Connected via the network**.
5. On the Printers Found screen, select the printer to be installed.
6. On the Confirm Settings screen, verify the printer settings.



Note

To manually change the IP address of the printer, select Change Settings on the Confirm Settings screen and follow the prompts.

7. On the Installation Type screen, select **Full Installation** to install the typical software. To install the minimum set of drivers and software, select **Basic Installation**. If you want to select the software to be installed, select **Custom Installation**.
8. On the Printer Name screen, assign the printer a name to be used in the Printers folder. For Windows 2000 and Windows XP, you can provide location and descriptive information if desired.
9. On the Ready to Install screen, select **Install** and allow the installation to complete.

2 - Client-server printing via network port-connected shared print queue

The printer is connected directly to the network and a print queue is created on a network file/print server. The server then manages the printing.

- **Recommended for larger workgroups, more than 30 users. Allows administrator control of client printer driver settings.**
- Requires a network connection on the printer or an internal or external print server. If the printer does not have a network connection, use configuration 3 below.
- Installation overview:
 - Hardware setup - plug the printer directly into the network using a network cable.
 - Run the CD that came with the printer on the server PC to enable printing.
- Information required during software setup:
 - Determine the printer's hardware or IP address, obtained from page 2 of the printer configuration page. For instructions on how to print the configuration page, see the *User Guide* on the CD.
 - Decide on a printer share name.

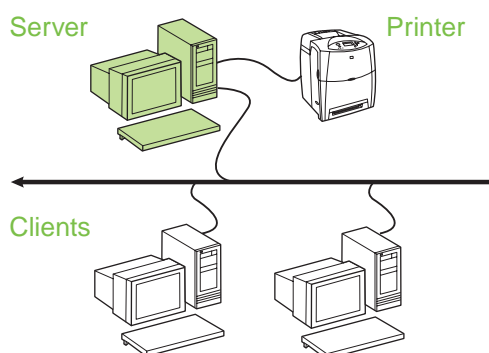
Installation steps:

1. Print a configuration page and note the IP address on the second page, under **TCP-IP**. For instructions on how to print the configuration page, see the *User Guide* on the CD. If the IP address is 0.0.0.0, wait for initialization to complete (2 or 3 minutes) and print another configuration page. If a valid IP address still is not found over the network, a default IP address (192.0.0.192 or 169.254.x.x) is assigned automatically. If you want to assign a particular IP address using the printer control panel, see the instructions at the end of this document.
2. Insert the CD that came with the printer. The software installer should start without assistance. If it does not start, browse to setup.exe in the root directory of the CD and double-click on it.

3. Select the language you would like the installer to display, and accept the License Agreement.
4. On the Printer Connection screen, select **Connected via the network**.
5. On the Confirm Settings screen, verify the printer settings.

Note

To manually change the IP address of the printer, select **Change Settings** on the Confirm Settings screen and follow the prompts.



6. On the Installation Type screen, select **Typical Installation** to install the typical software. To install the minimum set of drivers and software, select **Minimum Installation**. If you want to select the software to be installed, select **Custom Installation**.
7. On the Printer Name screen, assign the printer a name to be used in the Printers folder.
8. On the Printer Sharing screen, click the Printer Sharing button and follow the prompts.
9. If you are sharing the printer with other PCs that are running operating systems different than the PC you are using, add these drivers on the Client Driver Support screen after the printer is installed.
 - To add drivers for sharing with different operating systems, highlight the printer and select **File, Properties**. On the Sharing tab, select **Additional Drivers** and point to the desired drivers.
10. For Windows 2000 and XP, you can provide location and descriptive information if desired.
11. On the Ready to Install screen, select **Install** and allow the installation to complete.

3 - Client-server printing via direct-connected shared printer

Server installation

The printer is connected directly to a PC using a USB or parallel cable, and is shared with other PCs or clients on the network.

- **Recommended for printers that do not have a network connection.**
- Requires the printer to be directly connected to a PC with either a parallel or USB cable.
- Installation overview:
 - Hardware setup - plug the printer directly into the PC with a parallel or USB cable.
 - Run the CD, which came with the printer, on the server PC to enable printing.
- Information required during software setup - decide on a printer share name.

Installation steps:

1. Insert the CD that came with the printer. The software installer should start without assistance. If it does not, browse to setup.exe in the root directory of the CD and double-click on it.
2. Select the language you would like the installer to display, and accept the License Agreement.
3. On the Printer Connection screen, select **Connected directly to this computer**.
4. On the Connector Type screen, select the type of cable used to connect the printer.
5. On the Confirm Settings screen, verify the printer settings.

Note

To manually change the IP address of the printer, select **Change Settings** on the Confirm Settings screen and follow the prompts.

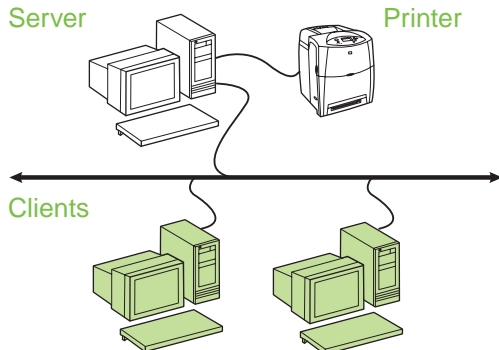
6. On the Installation Type screen, select **Typical Installation** to install the typical software. To install the minimum set of drivers and software, select **Minimum Installation**. If you want to select the software to be installed, select **Custom Installation**.
7. On the Printer Name screen, assign the printer a name to be used in the Printers folder.

8. On the Printer Sharing screen, click the Printer Sharing button and follow the prompts.
9. If you are sharing the printer with other PCs that are running operating systems different than the PC you are using, add these drivers on the Client Driver Support screen after the printer is installed.
 - To add drivers for sharing with different operating systems, highlight the printer and select File, Properties. On the Sharing tab, select Additional Drivers and point to the desired drivers.
10. For Windows 2000 and XP, you can provide location and descriptive information if desired.
11. On the Ready to Install screen, select Install and allow the installation to complete.

4 - Client-server printing via direct-connected shared printer

Client installation

Note Server installation must be completed (see configuration 3) before client installation can be performed.



- **Recommended when the printer has already been connected to the network and a print queue is shared from a network file/print server, or connected directly to a network PC and shared to other network PC clients.**
- Run the CD that came with the printer on the client PC to enable printing.
- Information required during software setup:
 - UNC (Universal Naming Convention) name for the shared printer
 - Example:
\\server_name\sharename\path\filename

Installation steps:

1. Insert the CD that came with the printer. The software installer should start without assistance. If it does not, browse to setup.exe in the root directory of the CD, and double-click on it.
2. Select the language you would like the installer to display, and accept the License Agreement.
3. On the Printer Connection screen, select **Connected via the network**.
4. On the Printers Found screen, select the printer to be installed.
5. On the Installation Type screen, select **Typical Installation** to install the typical software. To install the minimum set of drivers and software, select **Minimum Installation**. If you want to select the software to be installed, select **Custom Installation**.
6. On the Ready to Install screen, select Install and allow the installation to complete.

Manually configuring an IP address

The printer can automatically find an IP address from your network BootP/DHCP server, or it can be configured from software. But if you wish to assign a particular IP address to your printer, you can configure an IP address manually from the printer control panel.

1. Press the **Menu** button on the printer control panel and locate the **JETDIRECT** menu. Typically, you will select the **CONFIGURE DEVICE** menu, then the **I/O** menu, and then the **JETDIRECT** menu.
2. In the **JETDIRECT** menu, select the **TCP/IP** menu, the **IPV4 SETTINGS** menu, the **CONFIG METHOD** menu, and then select **MANUAL**. A **MANUAL SETTINGS** item is added to the **TCP/IP** menu.
3. Use the **MANUAL SETTINGS** menu and your control panel keys to set the values for **IP ADDRESS**, **SUBNET MASK**, **DEFAULT GATEWAY**, **SYSLOG SERVER**, and **IDLE TIMEOUT**.

Creating a printer port while the printer is not connected to the network

Note This feature is only supported on an IP network.

To create a printer port when the printer is not currently connected to the network, but will be at a later time, have the following information available:

- Printer name or IP address
- Port name
- Device type

Installation steps:

1. Insert the CD that came with the printer. The software installer should start without assistance. If it does not, browse to setup.exe in the root directory of the CD, and double-click on it.
2. Select the language you would like the installer to display, and accept the License Agreement.
3. On the Printer Connection screen, select **Connected via the network**.
4. Let the software search for a printer on the network. When the Printer Not Found dialog appears, select Next. Choose Enter Settings for a Printer Not on the Network and select Next. On the Printer Settings screen, identify the printer by either specifying the hardware or an IP address.
5. On the Set Port Name screen, select the port name or use the default.
6. On the Printer Name screen, assign the printer a name to be used in the Printers folder.
7. If you are sharing the printer with other PCs that are running operating systems different than the PC you are using, add these drivers on the Client Driver Support screen after the printer is installed.
 - To add drivers for sharing with different operating systems, highlight the printer and select **File, Properties**. On the Sharing tab, select **Additional Drivers** and point to the desired drivers.
8. For Windows 2000 and XP, you can provide location and descriptive information if desired.
9. On the Ready to Install screen, select **Install** and allow the installation to complete.
10. When you are ready to use the printer, you must connect it to the network.

Guide d'installation d'imprimantes réseau et partagées pour systèmes d'exploitation Windows®

HP vous recommande d'utiliser le programme d'installation de logiciel HP disponible sur le CD fourni avec l'imprimante. Vous pouvez ainsi configurer l'imprimante à l'aide des paramètres réseau décrits dans ce document. Il n'est pas requis d'installer de logiciels d'imprimante supplémentaires à l'aide de ce programme d'installation.

Vous pouvez également définir ces configurations via l'assistant Ajout d'imprimante, mais les instructions relatives à ces procédures ne sont pas incluses dans ce document. Pour obtenir ces instructions ainsi que des instructions plus détaillées concernant l'utilisation de ce programme d'installation, reportez-vous au *guide d'utilisation*, situé sur le CD livré avec l'imprimante. Les instructions relatives aux autres systèmes d'exploitation sont également disponibles à cet emplacement. Le guide d'administration du serveur d'impression HP Jetdirect et les notes d'installation, également disponibles sur le CD, fournissent des instructions supplémentaires.

Configurations réseau possibles

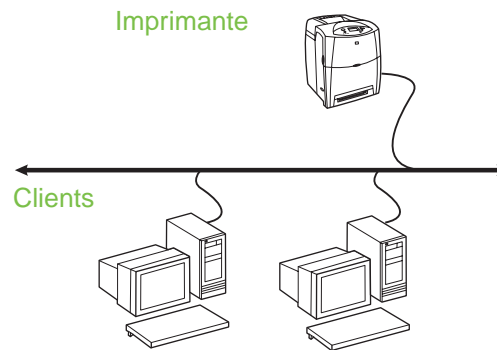
Les quatre configurations d'imprimante réseau possibles sont les suivantes :

1. L'imprimante est connectée directement au réseau (mode direct ou impression homologue). Chaque utilisateur du réseau imprime directement en utilisant l'adresse réseau de la carte réseau de l'imprimante.
2. L'imprimante est connectée directement au réseau et une file d'attente d'impression partagée est configurée sur un serveur d'impression/de fichiers de réseau (impression client-serveur). Cette file d'attente d'impression partagée est directement acheminée à l'imprimante via un port réseau.
3. L'imprimante est directement connectée à un PC qui remplit des fonctions de serveur d'impression. Ceci permet de partager l'imprimante entre les clients PC du réseau.
4. Les clients PC se connectent à une imprimante qui a déjà été configurée sur le réseau ou ils se connectent à une file d'attente d'impression partagée à partir d'un autre client PC ou d'un serveur d'impression/de fichiers.

Les sections suivantes fournissent des informations sur chaque configuration réseau ainsi que des informations élémentaires d'installation.

1 - Mode direct ou impression homologue

L'imprimante est directement connectée au réseau et tous les PC ou clients impriment directement vers l'imprimante.



- **Recommandé pour les groupes de 10 à 20 utilisateurs ou les petits bureaux.**
- Requiert une connexion réseau sur l'imprimante ou un serveur d'impression interne ou externe. Si l'imprimante n'en est pas dotée, utilisez la configuration 3 ci-dessous.
- Présentation de l'installation :
 - Configuration matérielle - branchez directement l'imprimante sur le réseau en utilisant un câble réseau.
 - Exécutez le CD livré avec l'imprimante et suivez la procédure ci-dessous pour **chaque PC** afin d'activer l'impression.
 - Informations requises durant la configuration logicielle - adresse IP ou matérielle de l'imprimante obtenue à partir de la page 2 de la page de configuration de l'imprimante. Pour obtenir des instructions sur l'impression de la page de configuration, reportez-vous au *guide d'utilisation de l'imprimante* sur le CD.

Procédure d'installation :

1. Imprimez une page de configuration et notez l'adresse IP sur la seconde page, sous **TCP-IP**. Pour obtenir des instructions sur l'impression de la page de configuration, reportez-vous au *guide d'utilisation de l'imprimante* sur le CD. Si l'adresse IP est 0.0.0.0, attendez la fin de l'initialisation (2 ou 3 minutes) et imprimez une autre page de configuration. Si une adresse IP valide est toujours introuvable sur le réseau, une adresse IP par défaut (192.0.0.192 ou 169.254.x.x) est automatiquement attribuée. Si vous voulez attribuer une adresse IP particulière via le panneau de commande de l'imprimante, reportez-vous aux instructions à la fin de ce document.
2. Introduisez le CD livré avec l'imprimante. Le programme d'installation du logiciel doit démarrer sans assistance. Dans le cas contraire, naviguez jusqu'au fichier setup.exe dans le répertoire racine du CD et cliquez deux fois sur ce fichier.
3. Sélectionnez la langue d'affichage du programme d'installation, puis acceptez le contrat de licence.
4. Dans l'écran Connexion d'imprimante, sélectionnez **Connectée via le réseau**.
5. Dans l'écran Imprimantes trouvées, sélectionnez l'imprimante à installer.
6. Dans l'écran de confirmation des paramètres, vérifiez les paramètres de l'imprimante.

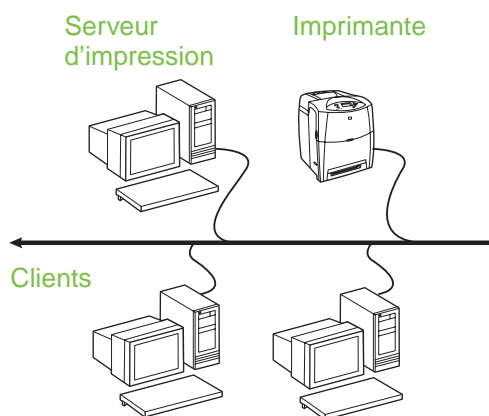
Remarque

Pour modifier manuellement l'adresse IP de l'imprimante, sélectionnez Modifier les paramètres dans l'écran de confirmation des paramètres et suivez les invites.

7. Dans l'écran Type d'installation, sélectionnez **Installation par défaut** pour une installation logicielle standard. Pour installer le minimum de pilotes et de logiciels, sélectionnez **Installation minimale**. Pour sélectionner le logiciel à installer, sélectionnez **Installation personnalisée**.
8. Dans l'écran Nom de l'imprimante, donnez à l'imprimante un nom à utiliser dans le dossier Imprimantes. Pour Windows 2000 et Windows XP, vous pouvez au besoin fournir un emplacement et des informations descriptives.
9. Dans l'écran Prêt pour l'installation, sélectionnez **Installer** et laissez s'effectuer l'installation.

2 - Impression client-serveur via une file d'attente d'impression partagée avec connexion au port réseau

L'imprimante est connectée directement au réseau et une file d'attente d'impression est créée sur un serveur d'impression/de fichiers de réseau. Le serveur gère ensuite l'impression.



- **Recommandé pour les groupes de travail de plus grande taille, comportant plus de 30 utilisateurs. Offre un contrôle administratif des paramètres du pilote d'imprimante des clients.**
- Requiert une connexion réseau sur l'imprimante ou un serveur d'impression interne ou externe. Si l'imprimante n'est pas dotée d'une connexion réseau, utilisez la configuration 3 ci-dessous.
- Présentation de l'installation :
 - Configuration matérielle - branchez directement l'imprimante sur le réseau en utilisant un câble réseau.
 - Exécutez le CD livré avec l'imprimante sur le PC serveur afin d'activer l'impression.
- Informations requises durant la configuration logicielle :
 - Déterminez l'adresse IP ou matérielle de l'imprimante, obtenue à partir de la page 2 de la page de configuration de l'imprimante. Pour obtenir des instructions sur l'impression de la page de configuration, reportez-vous au *guide d'utilisation de l'imprimante* sur le CD.
 - Donnez à l'imprimante un nom de partage.

Procédure d'installation :

1. Imprimez une page de configuration et notez l'adresse IP sur la seconde page, sous **TCP-IP**. Pour obtenir des instructions sur l'impression de la page de configuration, reportez-vous au *guide d'utilisation de l'imprimante* sur le CD. Si l'adresse IP est 0.0.0.0, attendez la fin de l'initialisation (2 ou 3 minutes) et imprimez une autre page de configuration. Si une adresse IP valide est toujours introuvable sur le réseau, une adresse IP par défaut (192.0.0.192 ou 169.254.x.x) est automatiquement attribuée. Si vous voulez attribuer une adresse IP particulière via le panneau de commande de l'imprimante, reportez-vous aux instructions à la fin de ce document.
2. Introduisez le CD livré avec l'imprimante. Le programme d'installation du logiciel doit démarrer sans assistance. Dans le cas contraire, naviguez jusqu'au fichier setup.exe dans le répertoire racine du CD et cliquez deux fois sur ce fichier.
3. Sélectionnez la langue d'affichage du programme d'installation, puis acceptez le contrat de licence.
4. Dans l'écran Connexion d'imprimante, sélectionnez **Connectée via le réseau**.
5. Dans l'écran de confirmation des paramètres, vérifiez les paramètres de l'imprimante.

Remarque

Pour modifier manuellement l'adresse IP de l'imprimante, sélectionnez Modifier les paramètres dans l'écran de confirmation des paramètres et suivez les invites.

6. Dans l'écran Type d'installation, sélectionnez **Installation par défaut** pour une installation logicielle standard. Pour installer le minimum de pilotes et de logiciels, sélectionnez **Installation minimale**. Pour sélectionner le logiciel à installer, sélectionnez **Installation personnalisée**.
7. Dans l'écran Nom de l'imprimante, donnez à l'imprimante un nom à utiliser dans le dossier Imprimantes.
8. Dans l'écran Partage d'imprimante, cliquez sur le bouton permettant de partager l'imprimante et suivez les invites.
9. Si vous partagez l'imprimante avec d'autres PC qui exécutent un système d'exploitation différent de celui du PC que vous utilisez, ajoutez ces pilotes dans l'écran Prise en charge du pilote client après l'installation de l'imprimante.

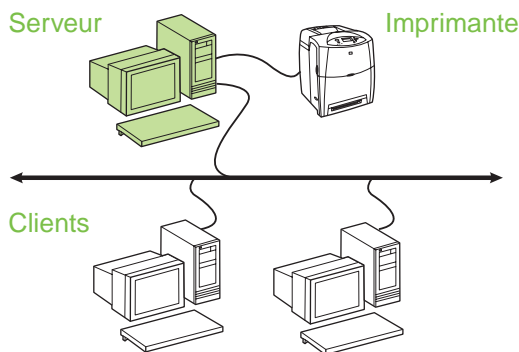
- Pour ajouter des pilotes pour un partage entre différents systèmes d'exploitation, mettez l'imprimante en surbrillance et sélectionnez **Fichier, Propriétés**. Sous l'onglet Partage, sélectionnez l'option **Autres pilotes**, puis les pilotes souhaités.

10. Pour Windows 2000 et XP, vous pouvez au besoin fournir un emplacement et des informations descriptives.
11. Dans l'écran Prêt pour l'installation, sélectionnez **Installer** et laissez s'effectuer l'installation.

3 - Impression client-serveur via une imprimante partagée avec connexion directe

Installation du serveur

L'imprimante est connectée directement à un PC via un câble USB ou parallèle et est partagée avec d'autres PC ou clients sur le réseau.



- **Recommandé pour les imprimantes non dotées d'une connexion réseau.**
- Requiert de connecter directement l'imprimante à un PC via un câble USB ou parallèle.
- Présentation de l'installation :
 - Configuration matérielle - branchez directement l'imprimante sur le PC en utilisant un câble USB ou parallèle.
 - Exécutez le CD livré avec l'imprimante sur le PC serveur afin d'activer l'impression.
- Informations requises durant la configuration logicielle - donnez à l'imprimante un nom de partage.

Procédure d'installation :

1. Introduisez le CD livré avec l'imprimante. Le programme d'installation du logiciel doit démarrer sans assistance. Dans le cas contraire, naviguez jusqu'au fichier setup.exe dans le répertoire racine du CD et cliquez deux fois sur ce fichier.
2. Sélectionnez la langue d'affichage du programme d'installation, puis acceptez le contrat de licence.
3. Dans l'écran Connexion d'imprimante, sélectionnez **Directement connectée à cet ordinateur**.
4. Dans l'écran Type de connecteur, sélectionnez le type de câble utilisé pour connecter l'imprimante.
5. Dans l'écran de confirmation des paramètres, vérifiez les paramètres de l'imprimante.

Remarque

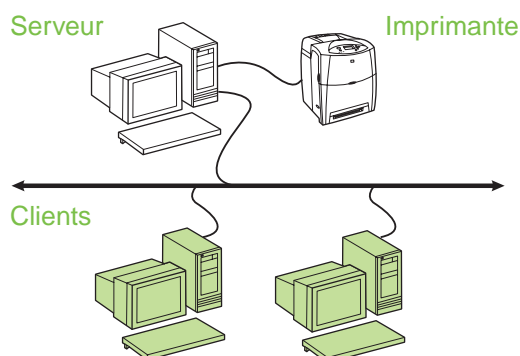
Pour modifier manuellement l'adresse IP de l'imprimante, sélectionnez Modifier les paramètres dans l'écran de confirmation des paramètres et suivez les invites.

6. Dans l'écran Type d'installation, sélectionnez **Installation par défaut** pour une installation logicielle standard. Pour installer le minimum de pilotes et de logiciels, sélectionnez **Installation minimale**. Si vous voulez sélectionner le logiciel à installer, sélectionnez **Installation personnalisée**.
7. Dans l'écran Nom de l'imprimante, donnez à l'imprimante un nom à utiliser dans le dossier Imprimantes.
8. Dans l'écran Partage d'imprimante, cliquez sur le bouton permettant de partager l'imprimante et suivez les invites.
9. Si vous partagez l'imprimante avec d'autres PC qui exécutent un système d'exploitation différent de celui du PC que vous utilisez, ajoutez ces pilotes dans l'écran Prise en charge du pilote client après l'installation de l'imprimante.
 - Pour ajouter des pilotes pour un partage entre différents systèmes d'exploitation, mettez l'imprimante en surbrillance et sélectionnez Fichier, Propriétés. Sous l'onglet Partage, sélectionnez l'option Autres pilotes, puis les pilotes souhaités.
10. Pour Windows 2000 et XP, vous pouvez au besoin fournir un emplacement et des informations descriptives.
11. Dans l'écran Prêt pour l'installation, sélectionnez **Installer** et laissez s'effectuer l'installation.

4 - Impression client-serveur via une imprimante partagée avec connexion directe

Installation client**Remarque**

L'installation du serveur doit être effectuée (voir configuration 3) avant de lancer celle du client.



- **Recommandé lorsque l'imprimante a déjà été connectée au réseau et qu'une file d'attente d'impression est partagée à partir d'un serveur d'impression/de fichiers de réseau ou connectée directement à un PC du réseau et partagée avec d'autres clients PC du réseau.**
- Exécutez le CD livré avec l'imprimante sur le PC client afin d'activer l'impression.
- Informations requises durant la configuration logicielle :
 - Nom UNC (Universal Naming Convention) de l'imprimante partagée
 - Exemple :
\\nom_serveur\nompartage\chemin\nomfichier

Procédure d'installation :

1. Introduisez le CD livré avec l'imprimante. Le programme d'installation du logiciel doit démarrer sans assistance. Dans le cas contraire, naviguez jusqu'au fichier setup.exe dans le répertoire racine du CD et cliquez deux fois sur ce fichier.
2. Sélectionnez la langue d'affichage du programme d'installation, puis acceptez le contrat de licence.
3. Dans l'écran Connexion d'imprimante, sélectionnez **Connectée via le réseau**.
4. Dans l'écran Imprimantes trouvées, sélectionnez l'imprimante à installer.

5. Dans l'écran Type d'installation, sélectionnez **Installation par défaut** pour une installation logicielle standard. Pour installer le minimum de pilotes et de logiciels, sélectionnez **Installation minimale**. Si vous voulez sélectionner le logiciel à installer, sélectionnez **Installation personnalisée**.
6. Dans l'écran Prêt pour l'installation, sélectionnez **Installer** et laissez s'effectuer l'installation.

Définition manuelle d'une adresse IP

L'imprimante peut automatiquement trouver une adresse IP à partir du serveur BootP/DHCP de réseau ou elle peut être configurée à partir du logiciel. Toutefois, si vous voulez attribuer une adresse IP particulière à l'imprimante, vous pouvez définir manuellement l'adresse IP via le panneau de commande de l'imprimante.

1. Appuyez sur le bouton **Menu** du panneau de commande de l'imprimante et accédez au menu **JETDIRECT**. Généralement, vous devez sélectionner le menu **CONFIGURATION PERIPHERIQUE**, puis le menu **E/S** et enfin le menu **JETDIRECT**.
2. Dans le menu **JETDIRECT**, sélectionnez le menu **TCP/IP**, le menu **PARAMETRES IPV4**, le menu **METHODE DE CONFIGURATION**, puis sélectionnez **MANUELLE**. L'option **PARAM MANUELS** est ajoutée au menu **TCP/IP**.
3. Utilisez le menu **PARAM MANUELS** et les touches du panneau de commande pour définir les valeurs des champs **ADRESSE IP**, **MASQUE DE SOUS-RESEAU**, **PASSERELLE PAR DEFAUT**, **SERVEUR SYSLOG** et **DELAI D'INACTIVITE**.

Création d'un port d'imprimante lorsque l'imprimante n'est pas connectée au réseau

Remarque Cette fonction est uniquement prise en charge sur un réseau IP.

Pour créer un port d'imprimante lorsque l'imprimante n'est pas connectée au réseau mais le sera par la suite, ayez les informations suivantes à portée de la main :

- Nom ou adresse IP de l'imprimante
- Nom du port

- Type de périphérique

Procédure d'installation :

1. Introduisez le CD livré avec l'imprimante. Le programme d'installation du logiciel doit démarrer sans assistance. Dans le cas contraire, naviguez jusqu'au fichier setup.exe dans le répertoire racine du CD et cliquez deux fois sur ce fichier.
2. Sélectionnez la langue d'affichage du programme d'installation, puis acceptez le contrat de licence.
3. Dans l'écran Connexion d'imprimante, sélectionnez **Connectée via le réseau**.
4. Laissez le logiciel trouver une imprimante sur le réseau. Lorsque la boîte de dialogue Imprimante non trouvée s'affiche, sélectionnez Suivant. Choisissez Entrer les paramètres d'une imprimante ne se trouvant pas sur le réseau, puis sélectionnez Suivant. Dans l'écran Paramètres de l'imprimante, identifiez l'imprimante en spécifiant une adresse IP ou matérielle.
5. Dans l'écran Définition du nom du port, sélectionnez le nom du port ou utilisez le nom par défaut.
6. Dans l'écran Nom de l'imprimante, donnez à l'imprimante un nom à utiliser dans le dossier Imprimantes.
7. Si vous partagez l'imprimante avec d'autres PC qui exécutent un système d'exploitation différent de celui du PC que vous utilisez, ajoutez ces pilotes dans l'écran Prise en charge du pilote client après l'installation de l'imprimante.
 - Pour ajouter des pilotes pour un partage entre différents systèmes d'exploitation, mettez l'imprimante en surbrillance et sélectionnez **Fichier, Propriétés**. Sous l'onglet Partage, sélectionnez l'option **Autres pilotes**, puis les pilotes souhaités.
8. Pour Windows 2000 et XP, vous pouvez au besoin fournir un emplacement et des informations descriptives.
9. Dans l'écran Prêt pour l'installation, sélectionnez **Installer** et laissez s'effectuer l'installation.
10. Lorsque vous êtes prêt à utiliser l'imprimante, vous devez la connecter au réseau.

Installationshandbuch für Netzwerkdrucker und freigegebene Drucker unter Windows®-Betriebssystemen

Zur Einrichtung des Druckers anhand der in diesem Handbuch beschriebenen Netzwerkkonfigurationen empfiehlt sich die Verwendung des HP Software-Installationsprogramms, das auf der mit dem Drucker gelieferten CD enthalten ist. Wenn Sie dieses Installationsprogramm verwenden, müssen Sie keine weitere Druckersoftware installieren.

Sie können diese Konfigurationen auch mit dem Druckerinstallations-Assistenten einrichten. Die entsprechenden Anleitungen sind in diesem Handbuch jedoch nicht enthalten. Sie finden diese Anleitungen sowie weitere ausführliche Anleitungen zur Verwendung des Installationsprogramms im *Benutzerhandbuch*, das auf der mit dem Drucker gelieferten CD enthalten ist. Es enthält auch Anleitungen zu anderen Betriebssystemen. Das HP Jetdirect Administratorhandbuch und die Installationshinweise, die sich ebenfalls auf der CD befinden, enthalten weitere Anleitungen.

Mögliche Netzwerkkonfigurationen

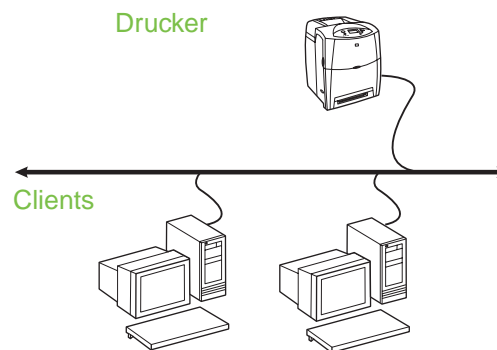
Es gibt z. B. die folgenden Netzwerkdrukerkonfigurationen:

1. Der Drucker ist direkt an das Netzwerk angeschlossen (Direktmodus oder Peer-to-Peer-Druck). Jeder Netzwerkbenutzer druckt direkt über die Netzwerkadresse der Netzwerkkarte des Druckers.
2. Der Drucker ist direkt an das Netzwerk angeschlossen und auf einem Datei-/Druckserver im Netzwerk ist eine freigegebene Druckwarteschlange konfiguriert (Client-Server-Druck). Diese freigegebene Druckwarteschlange spoolt Druckaufträge über einen Netzwerkanschluss direkt an den Drucker.
3. Der Drucker ist direkt an einen PC angeschlossen, der als Druckserver fungiert und die gemeinsame Nutzung des Druckers durch PC-Clients im Netzwerk erlaubt.
4. Die PC-Clients stellen eine Verbindung zu einem Drucker her, der bereits im Netzwerk eingerichtet wurde, oder sie stellen eine Verbindung über eine Druckwarteschlange her, die auf einem anderen PC-Client oder einem Datei-/Druckserver freigegeben wurde.

Die folgenden Abschnitte stellen Informationen zu den verschiedenen Netzwerkkonfigurationen sowie grundlegende Installationsinformationen bereit.

1 - Direktmodus oder Peer-to-Peer-Druck

Der Drucker ist direkt an das Netzwerk angeschlossen, und alle PCs oder Clients drucken direkt auf dem Drucker.



- **Empfohlen für Gruppen mit 10 bis 20 Benutzern oder kleine Büros.**
- Netzwerkverbindung am Drucker bzw. interner oder externer Druckserver erforderlich. Wenn der Drucker keinen besitzt, verwenden Sie Konfiguration 3 unten.
- Überblick über die Installation:
 - Einrichten der Hardware – Verbinden Sie den Drucker über ein Netzwerkkabel direkt mit dem Netzwerk.
 - Führen Sie die mit dem Drucker gelieferte CD aus, und befolgen Sie die Schritte unten für **jeden PC**, um das Drucken auf dem PC zu ermöglichen.
 - Bei der Software-Installation erforderliche Informationen – Druckerhardware- oder IP-Adresse von Seite 2 der Konfigurationsseite des Druckers. Anweisungen zum Drucken der Konfigurationsseite finden Sie im *Benutzerhandbuch* auf der CD.

Installation:

1. Drucken Sie eine Konfigurationsseite, und notieren Sie sich die IP-Adresse, die auf der zweiten Seite unter **TCP-IP** angegeben ist. Anweisungen zum Drucken der Konfigurationsseite finden Sie im *Benutzerhandbuch* auf der CD. Wenn die IP-Adresse 0.0.0.0 lautet, warten Sie, bis die Initialisierung abgeschlossen ist (2 oder 3 Minuten), und drucken Sie dann eine weitere Konfigurationsseite. Wenn über das Netzwerk immer noch keine gültige IP-Adresse gefunden wurde, wird automatisch eine Standard-IP-Adresse (192.0.0.192 oder 169.254.x.x) zugewiesen. Wenn Sie über das Bedienfeld des Druckers eine bestimmte IP-Adresse zuweisen möchten, lesen Sie hierzu die Anleitungen am Ende dieses Dokuments.
2. Legen Sie die CD ein, die mit dem Drucker geliefert wurde. Das Software-Installationsprogramm müsste automatisch gestartet werden. Ist dies nicht der Fall, suchen Sie im Stammverzeichnis der CD nach der Datei „setup.exe“, und doppelklicken Sie auf den Dateinamen.
3. Wählen Sie die Sprache aus, in der das Installationsprogramm angezeigt werden soll, und akzeptieren Sie die Lizenzvereinbarung.
4. Wählen Sie auf dem Bildschirm „Druckerverbindung“ die Option **Verbindung über das Netzwerk** aus.
5. Wählen Sie auf dem Bildschirm „Drucker gefunden“ den zu installierenden Drucker aus.
6. Überprüfen Sie die Druckereinstellungen auf dem Bildschirm „Einstellungen bestätigen“.

Hinweis

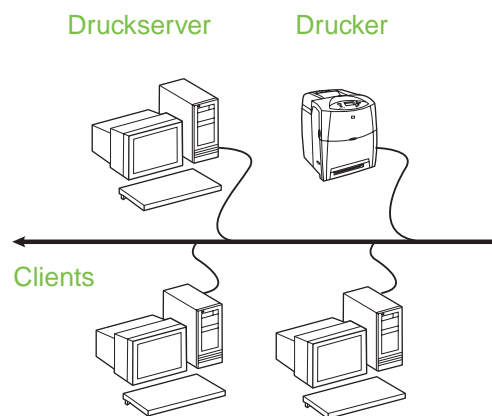
Zur manuellen Änderung der IP-Adresse des Druckers wählen Sie auf dem Bildschirm „Einstellungen bestätigen“ die Option **Einstellungen ändern**, und befolgen Sie die Eingabeaufforderungen.

7. Wählen Sie auf dem Bildschirm „Installationstyp“ die Option **Full Installation** (Vollinstallation), um die Standardsoftware zu installieren. Zum Installieren des minimalen Treiber- und Softwaresatzes wählen Sie **Basic Installation** (Grundlegende Installation). Wenn Sie die zu installierende Software einzeln auswählen möchten, wählen Sie **Benutzerdefinierte Installation**.

8. Weisen Sie dem Drucker auf dem Bildschirm „Druckername“ einen Namen zu, der im Druckerordner verwendet werden soll. Bei Windows 2000 und Windows XP können Sie eine Position und eine Beschreibung angeben (falls gewünscht).
9. Wählen Sie auf dem Bildschirm „Bereit zur Installation“ die Option **Installation**, und warten Sie, bis die Installation abgeschlossen ist.

2 - Client-Server-Druck über eine mit einem Netzwerkanschluss verbundene, freigegebene Druckwarteschlange

Der Drucker ist direkt mit dem Netzwerk verbunden, und auf einem Datei-/Druckserver im Netzwerk wird eine Druckwarteschlange erstellt. Der Server verwaltet den Druckprozess.



- **Empfohlen für größere Arbeitsgruppen mit mehr als 30 Benutzern. Der Administrator kann die Einstellungen für die Client-Druckertreiber steuern.**
- Netzwerkverbindung am Drucker bzw. interner oder externer Druckserver erforderlich. Wenn der Drucker keine Netzwerkverbindung besitzt, verwenden Sie Konfiguration 3 unten.
- Überblick über die Installation:
 - Einrichten der Hardware – Verbinden Sie den Drucker über ein Netzwerkkabel direkt mit dem Netzwerk.
 - Führen Sie die mit dem Drucker gelieferte CD auf dem Server-PC aus, um das Drucken zu ermöglichen.

- Bei der Software-Installation erforderliche Informationen:
 - Legen Sie die Hardware- oder IP-Adresse des Druckers fest, die Seite 2 der Konfigurationsseite zu entnehmen ist. Anweisungen zum Drucken der Konfigurationsseite finden Sie im *Benutzerhandbuch* auf der CD.
 - Legen Sie den Freigabenamen für den Drucker fest.

Installation:

1. Drucken Sie eine Konfigurationsseite, und notieren Sie sich die IP-Adresse, die auf der zweiten Seite unter **TCP-IP** angegeben ist. Anweisungen zum Drucken der Konfigurationsseite finden Sie im *Benutzerhandbuch* auf der CD. Wenn die IP-Adresse 0.0.0.0 lautet, warten Sie, bis die Initialisierung abgeschlossen ist (2 oder 3 Minuten), und drucken Sie dann eine weitere Konfigurationsseite. Wenn über das Netzwerk immer noch keine gültige IP-Adresse gefunden wurde, wird automatisch eine Standard-IP-Adresse (192.0.0.192 oder 169.254.x.x) zugewiesen. Wenn Sie über das Bedienfeld des Druckers eine bestimmte IP-Adresse zuweisen möchten, lesen Sie hierzu die Anleitungen am Ende dieses Dokuments.
2. Legen Sie die CD ein, die mit dem Drucker geliefert wurde. Das Software-Installationsprogramm müsste automatisch gestartet werden. Ist dies nicht der Fall, suchen Sie im Stammverzeichnis der CD nach der Datei „setup.exe“, und doppelklicken Sie auf den Dateinamen.
3. Wählen Sie die Sprache aus, in der das Installationsprogramm angezeigt werden soll, und akzeptieren Sie die Lizenzvereinbarung.
4. Wählen Sie auf dem Bildschirm „Druckerverbindung“ die Option **Verbindung über das Netzwerk** aus.
5. Überprüfen Sie die Druckereinstellungen auf dem Bildschirm „Einstellungen bestätigen“.

Hinweis

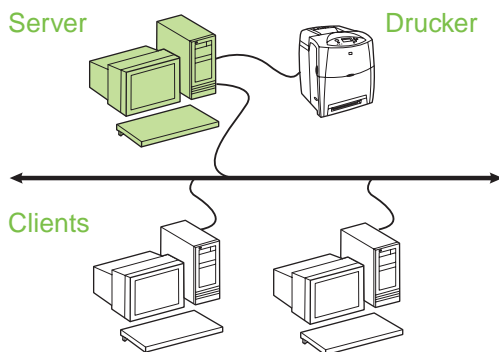
Zur manuellen Änderung der IP-Adresse des Druckers wählen Sie auf dem Bildschirm „Einstellungen bestätigen“ die Option **Einstellungen ändern**, und befolgen Sie die Eingabeaufforderungen.

6. Wählen Sie auf dem Bildschirm „Installationstyp“ die Option **Standardinstallation**, um die Standardsoftware zu installieren. Zum Installieren des minimalen Treiber- und Softwaresatzes wählen Sie **Minimalinstallation**. Wenn Sie die zu installierende Software einzeln auswählen möchten, wählen Sie **Benutzerdefinierte Installation**.
7. Weisen Sie dem Drucker auf dem Bildschirm „Druckername“ einen Namen zu, der im Druckerordner verwendet werden soll.
8. Klicken Sie auf dem Bildschirm „Druckerfreigabe“ auf die Schaltfläche **Druckerfreigabe**, und befolgen Sie die Eingabeaufforderungen.
9. Wenn Sie den Drucker mit anderen PCs gemeinsam nutzen, die unter einem anderen Betriebssystem laufen als Ihr PC, müssen Sie auf dem Bildschirm „Client-Treiberunterstützung“ die Treiber für diese Betriebssysteme nach der Installation des Druckers hinzufügen.
 - Zum Hinzufügen von Treibern zur gemeinsamen Verwendung mit anderen Betriebssystemen markieren Sie den Drucker, und wählen Sie **Datei** und dann **Eigenschaften**. Wählen Sie auf dem Register **Freigabe** die Option **Zusätzliche Treiber**, und geben Sie die gewünschten Treiber an.
10. Bei Windows 2000 und XP können Sie eine Position und eine Beschreibung angeben (falls gewünscht).
11. Wählen Sie auf dem Bildschirm „Bereit zur Installation“ die Option **Installation**, und warten Sie, bis die Installation abgeschlossen ist.

3 - Client-Server-Druck über einen direkt angeschlossenen, freigegebenen Drucker

Serverinstallation

Der Drucker ist mit einem USB- oder einem Parallelkabel direkt an einen PC angeschlossen und für andere PCs oder Clients im Netzwerk freigegeben.



- **Empfohlen für Drucker, die keine Netzwerkverbindung besitzen.**
- Der Drucker muss entweder mit einem Parallel- oder einem USB-Kabel direkt an einen PC angeschlossen werden.
- Überblick über die Installation:
 - Einrichten der Hardware – Verbinden Sie den Drucker über ein Parallel- oder USB-Kabel direkt mit dem PC.
 - Führen Sie die mit dem Drucker gelieferte CD auf dem Server-PC aus, um das Drucken zu ermöglichen.
- Bei der Software-Installation erforderliche Informationen – Freigabename des Druckers.

Installation:

1. Legen Sie die CD ein, die mit dem Drucker geliefert wurde. Das Software-Installationsprogramm müsste automatisch gestartet werden. Ist dies nicht der Fall, suchen Sie im Stammverzeichnis der CD nach der Datei „setup.exe“, und doppelklicken Sie auf den Dateinamen.
2. Wählen Sie die Sprache aus, in der das Installationsprogramm angezeigt werden soll, und akzeptieren Sie die Lizenzvereinbarung.
3. Wählen Sie auf dem Bildschirm „Druckerverbindung“ die Option **Direkte Verbindung zum Computer** aus.
4. Wählen Sie auf dem Bildschirm „Anschlusstyp“ den Kabeltyp aus, der zum Anschließen des Druckers verwendet wird.
5. Überprüfen Sie die Druckereinstellungen auf dem Bildschirm „Einstellungen bestätigen“.

Hinweis

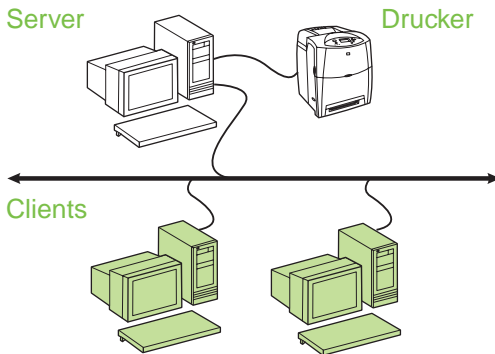
Zur manuellen Änderung der IP-Adresse des Druckers wählen Sie auf dem Bildschirm „Einstellungen bestätigen“ die Option **Einstellungen ändern**, und befolgen Sie die Eingabeaufforderungen.

6. Wählen Sie auf dem Bildschirm „Installationstyp“ die Option **Standardinstallation**, um die Standardsoftware zu installieren. Zum Installieren des minimalen Treiber- und Softwaresatzes wählen Sie **Minimalinstallation**. Wenn Sie die zu installierende Software einzeln auswählen möchten, wählen Sie **Benutzerdefinierte Installation**.
7. Weisen Sie dem Drucker auf dem Bildschirm „Druckername“ einen Namen zu, der im Druckerordner verwendet werden soll.
8. Klicken Sie auf dem Bildschirm „Druckerfreigabe“ auf die Schaltfläche **Druckerfreigabe**, und befolgen Sie die Eingabeaufforderungen.
9. Wenn Sie den Drucker mit anderen PCs gemeinsam nutzen, die unter einem anderen Betriebssystem laufen als Ihr PC, müssen Sie auf dem Bildschirm „Client-Treiberunterstützung“ die Treiber für diese Betriebssysteme nach der Installation des Druckers hinzufügen.
 - Zum Hinzufügen von Treibern zur gemeinsamen Verwendung mit anderen Betriebssystemen markieren Sie den Drucker, und wählen Sie **Datei** und dann **Eigenschaften**. Wählen Sie auf dem Register **Freigabe** die Option **Zusätzliche Treiber**, und geben Sie die gewünschten Treiber an.
10. Bei Windows 2000 und XP können Sie eine Position und eine Beschreibung angeben (falls gewünscht).
11. Wählen Sie auf dem Bildschirm „Bereit zur Installation“ die Option **Installation**, und warten Sie, bis die Installation abgeschlossen ist.

4 - Client-Server-Druck über einen direkt angeschlossenen, freigegebenen Drucker

Client-Installation

Hinweis Die Serverinstallation muss abgeschlossen sein (siehe Konfiguration 3), bevor die Client-Installation durchgeführt werden kann.



- **Empfohlen, wenn der Drucker bereits mit dem Netzwerk verbunden und eine Druckwarteschlange auf einem Datei-/Druckserver im Netzwerk freigegeben wurde, oder wenn der Drucker direkt an einen Netzwerk-PC angeschlossen und für andere PC-Clients im Netzwerk freigegeben wurde.**
- Führen Sie die mit dem Drucker gelieferte CD auf dem Client-PC aus, um das Drucken zu ermöglichen.
- Bei der Software-Installation erforderliche Informationen:
 - UNC (Universal Naming Convention)-Name für den freigegebenen Drucker
 - Beispiel:
\\servername\freigabename\pfad\dateiname

Installation:

1. Legen Sie die CD ein, die mit dem Drucker geliefert wurde. Das Software-Installationsprogramm müsste automatisch gestartet werden. Ist dies nicht der Fall, suchen Sie im Stammverzeichnis der CD nach der Datei „setup.exe“, und doppelklicken Sie auf den Dateinamen.
2. Wählen Sie die Sprache aus, in der das Installationsprogramm angezeigt werden soll, und akzeptieren Sie die Lizenzvereinbarung.

3. Wählen Sie auf dem Bildschirm „Druckerverbindung“ die Option **Verbindung über das Netzwerk** aus.
4. Wählen Sie auf dem Bildschirm „Drucker gefunden“ den zu installierenden Drucker aus.
5. Wählen Sie auf dem Bildschirm „Installationstyp“ die Option **Standardinstallation**, um die Standardsoftware zu installieren. Zum Installieren des minimalen Treiber- und Softwaresatzes wählen Sie **Minimalinstallation**. Wenn Sie die zu installierende Software einzeln auswählen möchten, wählen Sie **Benutzerdefinierte Installation**.
6. Wählen Sie auf dem Bildschirm „Bereit zur Installation“ die Option **Installation**, und warten Sie, bis die Installation abgeschlossen ist.

Manuelle Konfiguration einer IP-Adresse

Der Drucker kann über Ihren BootP/DHCP-Netzwerkserver automatisch nach einer IP-Adresse suchen, oder Sie können die Adresse über die Software konfigurieren. Wenn Sie Ihrem Drucker jedoch eine bestimmte IP-Adresse zuweisen möchten, können Sie über das Bedienfeld des Druckers manuell eine IP-Adresse konfigurieren.

1. Drücken Sie im Bedienfeld des Druckers die Taste **Menü**, und wechseln Sie zum Menü **JETDIRECT**. Hierfür müssen Sie in der Regel zuerst das Menü **GERÄT KONFIGURIEREN**, dann das Menü **E/A** und schließlich das Menü **JETDIRECT** aufrufen.
2. Wählen Sie im Menü **JETDIRECT** das Menü **TCP/IP**, das Menü **IPV4-EINSTELLUNGEN**, das Menü **METHODE KONFIG.**, und wählen Sie anschließend **MANUELL**. Dadurch wird dem Menü **TCP/IP** der Eintrag **MANUELLE EINST.** hinzugefügt.
3. Verwenden Sie das Menü **MANUELLE EINST.** und die Tasten des Bedienfelds, um die Werte für **IP- ADRESSE, TEILNETZMASKE, STANDARD-GATEWAY, SYSLOG-SERVER** und **LEERLAUFZEITL.** festzulegen.

Erstellen eines Druckeranschlusses, während der Drucker nicht mit dem Netzwerk verbunden ist

Hinweis Diese Funktion wird nur in einem IP-Netzwerk unterstützt.

Zum Erstellen eines Druckeranschlusses, wenn der Drucker im Moment nicht mit dem Netzwerk verbunden ist, dies jedoch zu einem späteren Zeitpunkt der Fall sein wird, sollten Sie die folgenden Informationen bereit halten:

- Name oder IP-Adresse des Druckers
- Name des Anschlusses
- Gerätetyp

Installation:

1. Legen Sie die CD ein, die mit dem Drucker geliefert wurde. Das Software-Installationsprogramm müsste automatisch gestartet werden. Ist dies nicht der Fall, suchen Sie im Stammverzeichnis der CD nach der Datei „setup.exe“, und doppelklicken Sie auf den Dateinamen.
2. Wählen Sie die Sprache aus, in der das Installationsprogramm angezeigt werden soll, und akzeptieren Sie die Lizenzvereinbarung.
3. Wählen Sie auf dem Bildschirm „Druckerverbindung“ die Option **Verbindung über das Netzwerk** aus.
4. Lassen Sie die Software nach einem Drucker im Netzwerk suchen. Klicken Sie auf **Nächste**, wenn das Dialogfeld „Drucker nicht gefunden“ angezeigt wird. Wählen Sie „Einstellungen für einen Drucker außerhalb des Netzwerks eingeben“, und wählen Sie **Nächste**. Geben Sie auf dem Bildschirm „Druckereinstellungen“ den Drucker an, indem Sie die Hardware-Adresse oder eine IP-Adresse eingeben.
5. Wählen Sie auf dem Bildschirm „Anschlussnamen festlegen“ den Anschlussnamen aus, oder verwenden Sie die Vorgabe.
6. Weisen Sie dem Drucker auf dem Bildschirm „Druckername“ einen Namen zu, der im Druckerordner verwendet werden soll.
7. Wenn Sie den Drucker mit anderen PCs gemeinsam nutzen, die unter einem anderen Betriebssystem laufen als Ihr PC, müssen Sie auf dem Bildschirm „Client-Treiberunterstützung“ die Treiber für diese Betriebssysteme nach der Installation des Druckers hinzufügen.
 - Zum Hinzufügen von Treibern zur gemeinsamen Verwendung mit anderen Betriebssystemen markieren Sie den Drucker, und wählen Sie **Datei** und dann **Eigenschaften**. Wählen Sie auf dem Register **Freigabe** die Option **Zusätzliche Treiber**, und geben Sie die gewünschten Treiber an.
8. Bei Windows 2000 und XP können Sie eine Position und eine Beschreibung angeben (falls gewünscht).
9. Wählen Sie auf dem Bildschirm „Bereit zur Installation“ die Option **Installation**, und warten Sie, bis die Installation abgeschlossen ist.
10. Wenn Sie bereit sind, den Drucker zu verwenden, müssen Sie ihn mit dem Netzwerk verbinden.

Guida all'installazione della stampante in rete e condivisa per sistemi operativi Windows®

HP consiglia di utilizzare il programma di installazione del software HP incluso nel CD fornito con la stampante per impostare la stampante utilizzando le configurazioni di rete descritte nel presente documento. Non è necessario installare ulteriori software di stampa mediante questo programma di installazione.

È anche possibile impostare tali configurazioni mediante la procedura guidata *Aggiungi stampante*, ma le istruzioni per eseguire questa operazione non sono incluse nel documento. Vedere la *Guida dell'utente* sul CD fornito con la stampante per le suddette informazioni e per istruzioni dettagliate sull'utilizzo del programma di installazione. Sulla suddetta guida è possibile trovare anche le istruzioni per altri sistemi operativi. Nel CD anche la *HP Jetdirect Administrator Guide* (Guida dell'amministratore HP Jetdirect) e le *Note sull'installazione* contengono informazioni aggiuntive.

Configurazioni di rete possibili

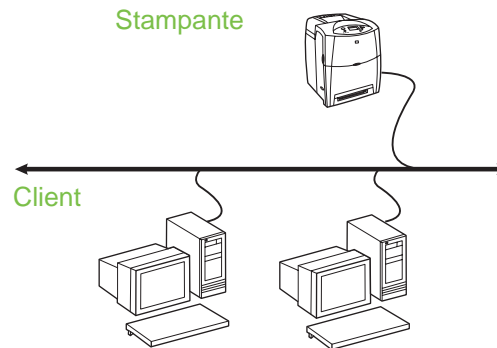
Le quattro possibili configurazioni della stampante in rete includono:

1. La stampante è collegata direttamente alla rete (modalità diretta o stampa peer-to-peer). Tutti gli utenti della rete stampano direttamente dall'indirizzo di rete della scheda di rete della stampante.
2. La stampante è collegata direttamente alla rete e una coda di stampa condivisa viene configurata su un file server/server di stampa di rete (stampa client-server). La coda di stampa condivisa esegue lo spooling direttamente sulla stampante attraverso una porta di rete.
3. La stampante è collegata direttamente a un PC che funge da server di stampa e consente alla stampante di essere condivisa tra i PC client in rete.
4. I PC client si collegano a una stampante già configurata in rete oppure a una coda di stampa condivisa da un altro PC client o da un file server/server di stampa.

La seguente sezione fornisce informazioni riguardanti ogni configurazione di rete e le informazioni di base di installazione.

1 - Modalità diretta o stampa peer-to-peer

La stampante è collegata direttamente alla rete e tutti i PC o client stampano direttamente sulla stampante.



- **Consigliato per gruppi di 10-20 utenti o piccoli uffici.**
- Richiede un collegamento di rete sulla stampante o un server di stampa interno o esterno. Se ciò non fosse possibile, utilizzare la configurazione 3 riportata di seguito.
- **Panoramica dell'installazione:**
 - Impostazione hardware: collegare la stampante direttamente alla rete utilizzando un cavo di rete.
 - Inserire il CD fornito con la stampante e seguire i passi seguenti per **ogni PC** per attivare la stampa.
 - Informazioni necessarie durante l'impostazione del software: indirizzo IP o indirizzo dell'hardware della stampante disponibile a pagina 2 della pagina di configurazione della stampante. Per istruzioni su come stampare la pagina di configurazione, vedere la *Guida dell'utente* sul CD.

Passaggi di installazione:

1. Stampare una pagina di configurazione e annotare l'indirizzo IP indicato nella seconda pagina, sotto **TCP-IP**. Per istruzioni su come stampare la pagina di configurazione, vedere la *Guida dell'utente* sul CD. Se l'indirizzo IP è 0.0.0.0, attendere il completamento dell'inizializzazione (2 o 3 minuti) e stampare un'altra pagina di configurazione. Se non viene rilevato alcun indirizzo IP valido nella rete, viene assegnato automaticamente un indirizzo IP predefinito (192.0.0.192 o 169.254.x.x). Se si desidera assegnare un indirizzo IP specifico utilizzando il pannello di controllo della stampante, vedere le istruzioni riportate alla fine di questo documento.
2. Inserire il CD fornito con la stampante. Il programma di installazione si avvia automaticamente. In caso contrario, fare doppio clic sul file setup.exe nella directory principale del CD.
3. Selezionare la lingua di visualizzazione del programma di installazione e accettare il Contratto di licenza.
4. Dalla schermata Connessione della stampante, selezionare **Connessa mediante la rete**.
5. Nella schermata Stampanti trovate selezionare la stampante da installare.
6. Nella schermata di conferma delle impostazioni, verificare le impostazioni della stampante.

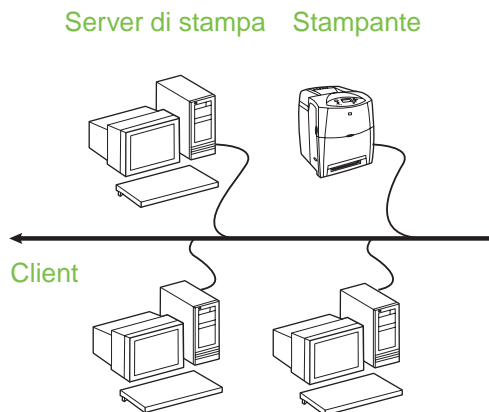
Nota

Per modificare manualmente l'indirizzo IP per la stampante, selezionare Modifica impostazioni nella schermata di conferma delle impostazioni e seguire le istruzioni visualizzate.

7. Nella schermata Tipo di installazione selezionare **Installazione completa** per eseguire un'installazione tipica del software. Per installare il set minimo di driver e software, selezionare **Installazione di base**. Se si desidera selezionare il software da installare, selezionare **Installazione personalizzata**.
8. Nella schermata Nome stampante, assegnare alla stampante un nome da utilizzare nella cartella Stampanti. Se si desidera, per Windows 2000 e Windows XP è possibile fornire una posizione e informazioni descrittive.
9. Nella schermata Pronta per l'installazione, selezionare l'opzione di **installazione** e attendere il completamento della procedura.

2 - Stampa client-server mediante la coda di stampa condivisa collegata a una porta di rete

La stampante è collegata direttamente alla rete e una coda di stampa viene creata in un file server/server di stampa di rete. Il server consente di gestire la stampa.



- **Consigliata per gruppi di lavoro più grandi, con più di 30 utenti. Consente all'amministratore di controllare le impostazioni dei driver per la stampante dei client.**
- Richiede un collegamento di rete sulla stampante o un server di stampa interno o esterno. Se la stampante non dispone di un collegamento di rete, utilizzare la configurazione 3 riportata di seguito.
- Panoramica dell'installazione:
 - Impostazione hardware: collegare la stampante direttamente alla rete utilizzando un cavo di rete.
 - Inserire il CD fornito con la stampante sul PC server per attivare la stampa.
- Informazioni necessarie durante l'installazione del software:
 - Individuare l'indirizzo IP o dell'hardware della stampante, disponibile a pagina 2 della pagina di configurazione della stampante. Per istruzioni su come stampare la pagina di configurazione, vedere la *Guida dell'utente* sul CD.
 - Stabilire un nome di condivisione della stampante.

Passaggi di installazione:

1. Stampare una pagina di configurazione e annotare l'indirizzo IP indicato nella seconda pagina, sotto **TCP-IP**. Per istruzioni su come stampare la pagina di configurazione, vedere la *Guida dell'utente* sul CD. Se l'indirizzo IP è 0.0.0.0, attendere il completamento dell'inizializzazione (2 o 3 minuti) e stampare un'altra pagina di configurazione. Se non viene rilevato alcun indirizzo IP valido nella rete, viene assegnato automaticamente un indirizzo IP predefinito (192.0.0.192 o 169.254.x.x). Se si desidera assegnare un indirizzo IP specifico utilizzando il pannello di controllo della stampante, vedere le istruzioni riportate alla fine di questo documento.
2. Inserire il CD fornito con la stampante. Il programma di installazione si avvia automaticamente. In caso contrario, fare doppio clic sul file setup.exe nella directory principale del CD.
3. Selezionare la lingua di visualizzazione del programma di installazione e accettare il Contratto di licenza.
4. Dalla schermata Connessione della stampante, selezionare **Connessa mediante la rete**.
5. Nella schermata di conferma delle impostazioni, verificare le impostazioni della stampante.

Nota

Per modificare manualmente l'indirizzo IP per la stampante, selezionare Modifica impostazioni nella schermata di conferma delle impostazioni e seguire le istruzioni visualizzate.

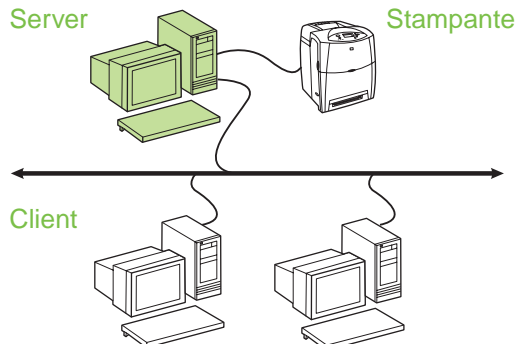
6. Nella schermata Tipo di installazione selezionare **Installazione tipica** per eseguire un'installazione tipica del software. Per installare il set minimo di driver e software, selezionare **Installazione minima**. Se si desidera selezionare il software da installare, selezionare **Installazione personalizzata**.
7. Nella schermata Nome stampante, assegnare alla stampante un nome da utilizzare nella cartella Stampanti.
8. Nella schermata Condivisione stampante selezionare il pulsante di condivisione della stampante e seguire le istruzioni visualizzate.

9. Se la stampante è condivisa con altri PC con sistemi operativi diversi da quello del PC in uso, una volta installata la stampante selezionare i driver per tali sistemi operativi nella schermata Supporto driver client.
 - Per aggiungere driver per la condivisione con sistemi operativi diversi, evidenziare la stampante e selezionare **File, Proprietà**. Nella scheda di condivisione selezionare **Driver aggiuntivi** e individuare i driver desiderati.
10. Se si desidera, per Windows 2000 e XP è possibile fornire una posizione e informazioni descrittive.
11. Nella schermata Pronta per l'installazione, selezionare l'opzione di **installazione** e attendere il completamento della procedura.

3 - Stampa client-server mediante stampante condivisa con collegamento diretto

Installazione del server

La stampante è collegata direttamente a un PC mediante un cavo USB o parallelo ed è condivisa con altri PC o client in rete.



- **Consigliata per stampanti che non sono fornite di un collegamento di rete.**
- È necessario che la stampante sia collegata direttamente a un PC mediante un cavo USB o parallelo.
- Panoramica dell'installazione:
 - Impostazione hardware - collegare la stampante direttamente al PC mediante un cavo USB o parallelo.
 - Inserire il CD fornito con la stampante sul PC server per attivare la stampa.
- Informazioni necessarie durante l'installazione hardware: stabilire un nome di condivisione della stampante.

Passaggi di installazione:

1. Inserire il CD fornito con la stampante. Il programma di installazione si avvia automaticamente. In caso contrario, fare doppio clic sul file setup.exe nella directory principale del CD.
2. Selezionare la lingua di visualizzazione del programma di installazione e accettare il Contratto di licenza.
3. Dalla schermata Connessione della stampante, selezionare **Connessa direttamente al computer**.
4. Dalla schermata Tipo di connettore, selezionare il tipo di cavo utilizzato per collegare la stampante.
5. Nella schermata di conferma delle impostazioni, verificare le impostazioni della stampante.

Nota

Per modificare manualmente l'indirizzo IP per la stampante, selezionare Modifica impostazioni nella schermata di conferma delle impostazioni e seguire le istruzioni visualizzate.

6. Nella schermata Tipo di installazione selezionare **Installazione tipica** per eseguire un'installazione tipica del software. Per installare il set minimo di driver e software, selezionare **Installazione minima**. Se si desidera selezionare il software da installare, selezionare **Installazione personalizzata**.
7. Nella schermata Nome stampante, assegnare alla stampante un nome da utilizzare nella cartella Stampanti.
8. Nella schermata Condivisione stampante selezionare il pulsante di condivisione della stampante e seguire le istruzioni visualizzate.
9. Se la stampante è condivisa con altri PC con sistemi operativi diversi da quello del PC in uso, una volta installata la stampante selezionare i driver per tali sistemi operativi nella schermata Supporto driver client.
 - Per aggiungere driver per la condivisione con sistemi operativi diversi, evidenziare la stampante e selezionare File, Proprietà. Nella scheda di condivisione selezionare Driver aggiuntivi e individuare i driver desiderati.
10. Se si desidera, per Windows 2000 e XP è possibile fornire una posizione e informazioni descrittive.

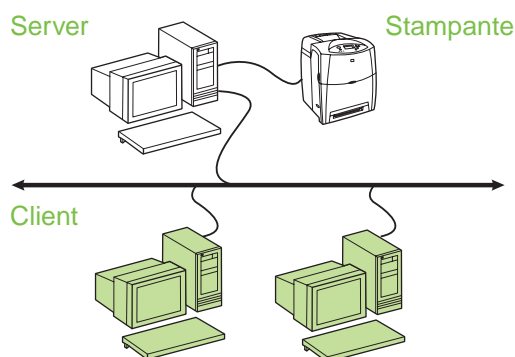
11. Nella schermata Pronta per l'installazione, selezionare l'opzione di installazione e attendere il completamento della procedura.

4 - Stampa client-server mediante stampante condivisa con collegamento diretto

Installazione del client

Nota

È necessario completare l'installazione del server (vedere la configurazione 3) prima di eseguire l'installazione del client.



- **Opzione consigliata quando la stampante è già stata collegata alla rete e una coda di stampa è condivisa da un file server/server di stampa di rete oppure quando la stampante è collegata direttamente a un PC in rete e condivisa con altri PC client della rete.**
- Inserire il CD fornito con la stampante sul PC client per attivare la stampa.
- Informazioni necessarie durante l'installazione del software:
 - Nome UNC (Universal Naming Convention) per la stampante condivisa
 - Esempio:
`\\nome_server\nomecondivisione\percorso\nomefile`

Passaggi di installazione:

1. Inserire il CD fornito con la stampante. Il programma di installazione si avvia automaticamente. In caso contrario, fare doppio clic sul file setup.exe nella directory principale del CD.
2. Selezionare la lingua di visualizzazione del programma di installazione e accettare il Contratto di licenza.
3. Dalla schermata Connessione della stampante, selezionare **Connessa mediante la rete**.
4. Nella schermata Stampanti trovate selezionare la stampante da installare.
5. Nella schermata Tipo di installazione selezionare **Installazione tipica** per eseguire un'installazione tipica del software. Per installare il set minimo di driver e software, selezionare **Installazione minima**. Se si desidera selezionare il software da installare, selezionare **Installazione personalizzata**.
6. Nella schermata Pronta per l'installazione, selezionare l'opzione di installazione e attendere il completamento della procedura.

Configurazione manuale di un indirizzo IP

La stampante può individuare automaticamente un indirizzo IP dal server BootP/DHCP di rete o può essere configurata dal software. Se si desidera assegnare un indirizzo IP specifico alla stampante, è possibile configurare manualmente un indirizzo IP dal pannello di controllo della stampante.

1. Premere il pulsante **Menu** nel pannello di controllo della stampante e individuare il menu **JETDIRECT**. In genere, si seleziona il menu **CONFIGURA PERIFERICA**, quindi il menu **I/O** e il menu **JETDIRECT**.
2. Nel menu **JETDIRECT**, selezionare il menu **TCP/IP**, il menu **IMPOSTAZIONI IPV4**, il menu **METODO DI CONFIGURAZIONE** e selezionare **MANUALE**. Viene aggiunto un elemento **IMPOSTAZIONI MANUALI** al menu **TCP/IP**.
3. Utilizzare il menu **IMPOSTAZIONI MANUALI** e i tasti del pannello di controllo per impostare i valori per **INDIRIZZO IP**, **MASCHERA DI SOTTORETE**, **GATEWAY PREDEFINITO**, **SYSLOG SERVER** e **TIMEOUT DI INATTIVITÀ**.

Creazione di una porta della stampante mentre la stampante non è collegata alla rete

Nota

Questa funzione è supportata solo sulle reti IP.

Per creare una porta della stampante quando la stampante non è temporaneamente collegata alla rete ma verrà collegata successivamente, è necessario disporre delle seguenti informazioni:

- Nome stampante o indirizzo IP
- Nome porta
- Tipo di periferica

Passaggi di installazione:

1. Inserire il CD fornito con la stampante. Il programma di installazione si avvia automaticamente. In caso contrario, fare doppio clic sul file setup.exe nella directory principale del CD.
2. Selezionare la lingua di visualizzazione del programma di installazione e accettare il Contratto di licenza.
3. Dalla schermata Connessione della stampante, selezionare **Connessa mediante la rete**.
4. Il software ricerca una stampante nella rete. Quando viene visualizzata la finestra di dialogo che indica che non è stata rilevata alcuna stampante, selezionare **Avanti**. Scegliere **Immettere le impostazioni per una stampante non in rete**, quindi selezionare **Avanti**. Nella schermata delle impostazioni della stampante, individuare la stampante specificando l'indirizzo dell'hardware o un indirizzo IP.
5. Nella schermata Impostazione nome porta selezionare il nome della porta o utilizzare l'impostazione predefinita.
6. Nella schermata Nome stampante, assegnare alla stampante un nome da utilizzare nella cartella Stampanti.
7. Se la stampante è condivisa con altri PC con sistemi operativi diversi da quello del PC in uso, una volta installata la stampante selezionare i driver per tali sistemi operativi nella schermata **Supporto driver client**.
 - Per aggiungere driver per la condivisione con sistemi operativi diversi, evidenziare la stampante e selezionare **File, Proprietà**. Nella scheda di condivisione selezionare **Driver aggiuntivi** e individuare i driver desiderati.

8. Se si desidera, per Windows 2000 e XP è possibile fornire una posizione e informazioni descrittive.
9. Nella schermata Pronta per l'installazione, selezionare l'opzione di **installazione** e attendere il completamento della procedura.
10. Quando si è pronti per utilizzare la stampante è necessario collegarla alla rete.

Guía de instalación de impresoras compartidas y conectadas en red para sistemas operativos Windows®

HP recomienda utilizar el instalador de software de HP incluido en el CD que viene con la impresora para configurar la impresora mediante las configuraciones de red que se describen en este documento. No es necesario instalar software adicional para la impresora con este instalador.

También puede realizar estas configuraciones mediante el asistente para agregar impresoras, pero no se incluyen las instrucciones para ello. Consulte la *Guía del usuario* del CD suministrado con la impresora para obtener dichas instrucciones y más detalles sobre el uso del instalador. También encontrará instrucciones para otros sistemas operativos. La Guía del administrador HP Jetdirect y las notas de instalación, también incluidas en el CD, ofrecen instrucciones adicionales.

Posibles configuraciones de red

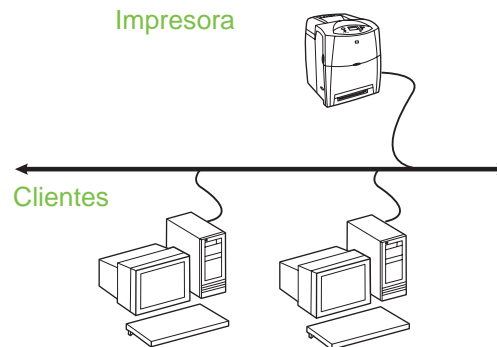
Las siguientes son cuatro posibles configuraciones de red para la impresora:

1. La impresora está conectada directamente a la red (impresión en modo directo o de igual a igual). Cada usuario de la red imprime directamente en la dirección de red de la tarjeta de red de la impresora.
2. La impresora está conectada directamente a la red y se configura una cola de impresión compartida en un archivo de red / servidor de impresión (impresión cliente-servidor). Esta cola de impresión compartida lleva directamente a la impresora a través de un puerto de red.
3. La impresora está conectada directamente a un equipo que funciona como servidor de impresión y permite compartir la impresora en la red.
4. Los clientes del equipo se conectan a una impresora ya configurada en la red o se conectan a una cola de impresión compartida desde otro cliente del equipo o archivo / servidor de impresión.

Las siguientes secciones ofrecen información sobre las configuraciones de red y proporcionan información básica sobre la instalación.

1. Impresión en modo directo o de igual a igual

La impresora está conectada directamente a la red y todos los equipos o clientes imprimen directamente en la impresora.



- **Recomendado para grupos de 10 a 20 usuarios o para oficinas pequeñas.**
- Requiere una conexión de red en la impresora o un servidor de impresión interno o externo. Si la impresora no dispone de ninguno, utilice la configuración número 3.
- Descripción general de la instalación:
 - Instalación de hardware: conecte la impresora directamente a la red mediante un cable de red.
 - Ejecute el CD suministrado con la impresora y siga los pasos siguientes en **cada equipo** para posibilitar la impresión.
 - Información necesaria durante la instalación del software: hardware de la impresora o dirección IP que aparece en la página 2 de la página de configuración de la impresora. Si desea obtener instrucciones sobre cómo imprimir la página de configuración, consulte la *Guía del usuario* incluida en el CD.

Pasos para la instalación:

1. Imprima una página de configuración y busque la dirección IP en la segunda página, debajo de **TCP-IP**. Si desea obtener instrucciones sobre cómo imprimir la página de configuración, consulte la *Guía del usuario* incluida en el CD. Si la dirección IP es 0.0.0.0, espere a que termine la inicialización (2 o 3 minutos) e imprima otra página de configuración. Si no se encuentra una dirección IP válida en la red, se asigna una dirección IP (192.0.0.192 o 169.254.x.x) automáticamente. Si desea asignar una dirección IP particular utilizando el panel de control de la impresora, consulte las instrucciones que aparecen al final de este documento.
2. Introduzca el CD suministrado con la impresora. El instalador del software deberá iniciarse automáticamente. Si no lo hace, busque el archivo setup.exe en el directorio raíz del CD y haga doble clic sobre él.
3. Seleccione el idioma del instalador y acepte el Acuerdo de licencia.
4. En la pantalla Conexión de impresora, seleccione **Conectada a través de la red**.
5. En la pantalla Impresoras encontradas, seleccione la impresora que desea instalar.
6. En la pantalla Confirmar configuración, compruebe los valores de la impresora.

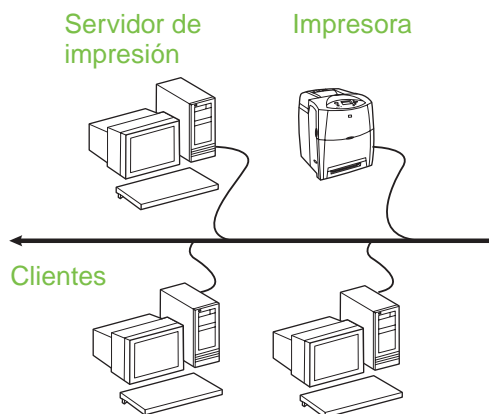
Nota

Para modificar manualmente la dirección IP de la impresora, seleccione Cambiar configuración en la pantalla Confirmar configuración y siga las indicaciones.

7. En la pantalla Tipo de instalación, seleccione **Full installation** (Instalación completa) para instalar el software típico. Para instalar el conjunto mínimo de controladores y software, seleccione **Basic Installation** (Instalación básica). Si desea elegir el software que se va a instalar, seleccione **Instalación personalizada**.
8. En la pantalla Nombre de impresora, introduzca un nombre para la impresora que se utilizará en la carpeta Impresoras. Si utiliza Windows 2000 y Windows XP, puede introducir la ubicación e información descriptiva si lo desea.
9. En la pantalla Preparada para instalar, seleccione **Instalar** y espere a que se complete la instalación.

2. Impresión cliente-servidor mediante una cola de impresión compartida conectada a un puerto de red

La impresora está conectada directamente a la red y se crea una cola de impresión en un archivo de red/servidor de impresión. El servidor controla la impresión.



- **Recomendado para grupos grandes, de más de 30 usuarios. Permite al administrador controlar la configuración de los controladores de impresora de los clientes.**
- Requiere una conexión de red en la impresora o un servidor de impresión interno o externo. Si la impresora no dispone de conexión de red, utilice la configuración número 3.
- Descripción general de la instalación:
 - Instalación de hardware: conecte la impresora directamente a la red mediante un cable de red.
 - Ejecute el CD suministrado con la impresora en el equipo servidor para habilitar la impresión.
- Información necesaria durante la instalación del software:
 - Determine el hardware o la dirección IP de la impresora, que aparece en la página 2 de la configuración de la impresora. Si desea obtener instrucciones sobre cómo imprimir la página de configuración, consulte la *Guía del usuario* incluida en el CD.
 - Decida un nombre compartido para la impresora.

Pasos para la instalación:

1. Imprima una página de configuración y busque la dirección IP en la segunda página, debajo de **TCP-IP**. Si desea obtener instrucciones sobre cómo imprimir la página de configuración, consulte la *Guía del usuario* incluida en el CD. Si la dirección IP es 0.0.0.0, espere a que termine la inicialización (2 o 3 minutos) e imprima otra página de configuración. Si no se encuentra una dirección IP válida en la red, se asigna una dirección IP (192.0.0.192 o 169.254.x.x) automáticamente. Si desea asignar una dirección IP particular utilizando el panel de control de la impresora, consulte las instrucciones que aparecen al final de este documento.
2. Introduzca el CD suministrado con la impresora. El instalador del software deberá iniciarse automáticamente. Si no lo hace, busque el archivo setup.exe en el directorio raíz del CD y haga doble clic sobre él.
3. Seleccione el idioma del instalador y acepte el Acuerdo de licencia.
4. En la pantalla Conexión de impresora, seleccione **Conectada a través de la red**.
5. En la pantalla Confirmar configuración, compruebe los valores de la impresora.

Nota

Para modificar manualmente la dirección IP de la impresora, seleccione Cambiar configuración en la pantalla Confirmar configuración y siga las indicaciones.

6. En la pantalla Tipo de instalación, seleccione **Instalación típica** para instalar el software típico. Para instalar el conjunto mínimo de controladores y software, seleccione **Instalación mínima**. Si desea elegir el software que se va a instalar, seleccione **Instalación personalizada**.
7. En la pantalla Nombre de impresora, introduzca un nombre para la impresora que se utilizará en la carpeta Impresoras.
8. En la pantalla Compartir impresora, haga clic en el botón Compartir impresora y siga las indicaciones.
9. Si comparte la impresora con otros equipos que ejecutan sistemas operativos diferentes al que está usando, agregue estos controladores en la pantalla Compatibilidad de controladores cliente una vez instalada la impresora.

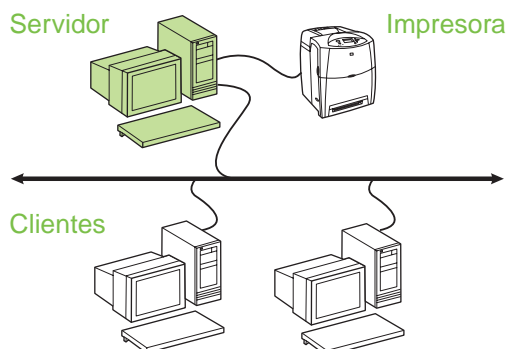
- Para agregar los controladores que se van a compartir con sistemas operativos diferentes, resalte la impresora y seleccione **Archivo, Propiedades**. En la ficha Compartir, seleccione **Controladores adicionales** y señale los controladores que va a agregar.

10. Si utiliza Windows 2000 y XP, puede introducir la ubicación e información descriptiva si lo desea.
11. En la pantalla Preparada para instalar, seleccione **Instalar** y espere a que se complete la instalación.

3. Impresión cliente-servidor mediante una impresora compartida conectada directamente a un equipo

Instalación del servidor

La impresora está conectada directamente a un equipo mediante un cable paralelo o USB y se comparte con otros equipos o clientes en la red.



- **Recomendado para impresoras que no disponen de conexión de red.**
- Requiere conexión directa de la impresora a un equipo mediante un cable paralelo o USB.
- Descripción general de la instalación:
 - Instalación de hardware: conecte la impresora directamente al equipo mediante un cable paralelo o USB.
 - Ejecute el CD suministrado con la impresora en el equipo servidor para habilitar la impresión.
- Información necesaria durante la instalación del software: elija un nombre compartido para la impresora.

Pasos para la instalación:

1. Introduzca el CD suministrado con la impresora. El instalador del software deberá iniciarse automáticamente. Si no lo hace, busque el archivo setup.exe en el directorio raíz del CD y haga doble clic sobre él.
2. Seleccione el idioma del instalador y acepte el Acuerdo de licencia.
3. En la pantalla Conexión de impresora, seleccione **Conectada directamente a este equipo**.
4. En la pantalla Tipo de conector, seleccione el tipo de cable utilizado para conectar la impresora.
5. En la pantalla Confirmar configuración, compruebe los valores de la impresora.

Nota

Para modificar manualmente la dirección IP de la impresora, seleccione Cambiar configuración en la pantalla Confirmar configuración y siga las indicaciones.

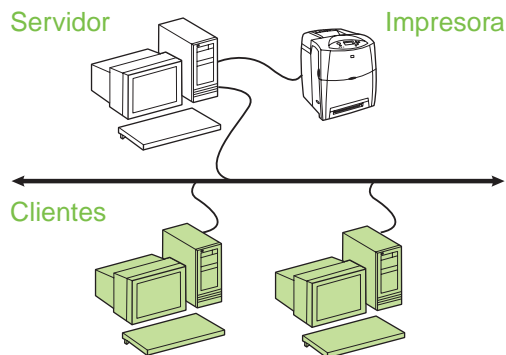
6. En la pantalla Tipo de instalación, seleccione **Instalación típica** para instalar el software típico. Para instalar el conjunto mínimo de controladores y software, seleccione **Instalación mínima**. Si desea elegir el software que se va a instalar, seleccione **Instalación personalizada**.
7. En la pantalla Nombre de impresora, introduzca un nombre para la impresora que se utilizará en la carpeta Impresoras.
8. En la pantalla Compartir impresora, haga clic en el botón Compartir impresora y siga las indicaciones.
9. Si comparte la impresora con otros equipos que ejecutan sistemas operativos diferentes al que está usando, agregue estos controladores en la pantalla Compatibilidad de controladores cliente una vez instalada la impresora.
 - Para agregar los controladores que se van a compartir con sistemas operativos diferentes, resalte la impresora y seleccione **Archivo, Propiedades**. En la ficha Compartir, seleccione **Controladores adicionales** y señale los controladores que va a agregar
10. Si utiliza Windows 2000 y XP, puede introducir la ubicación e información descriptiva si lo desea.
11. En la pantalla Preparada para instalar, seleccione Instalar y espere a que se complete la instalación.

4. Impresión cliente-servidor mediante una impresora compartida conectada directamente a un equipo

Instalación del cliente

Nota

Se debe completar la instalación (consulte la configuración 3) antes de realizar la instalación del cliente.



- **Recomendada cuando la impresora se haya conectado a una red y se haya compartido una cola de impresión de un archivo/servidor de impresión, o cuando se haya conectado directamente a un equipo en red y compartido con otros clientes del equipo.**
- Ejecute el CD suministrado con la impresora en el equipo cliente para habilitar la impresión.
- Información necesaria durante la instalación del software:
 - Nombre de la UNC (Convención de Nomenclatura Universal) para la impresora compartida
 - Ejemplo:
`\\nombre_de_servidor\nombrecompartido\ruta\nombreadarchivo`

Pasos para la instalación:

1. Introduzca el CD suministrado con la impresora. El instalador del software deberá iniciarse automáticamente. Si no lo hace, busque el archivo setup.exe en el directorio raíz del CD y haga doble clic sobre él.
2. Seleccione el idioma del instalador y acepte el Acuerdo de licencia.
3. En la pantalla Conexión de impresora, seleccione **Conectada a través de la red**.
4. En la pantalla Impresoras encontradas, seleccione la impresora que desea instalar.
5. En la pantalla Tipo de instalación, seleccione **Instalación típica** para instalar el software típico. Para instalar el conjunto mínimo de controladores y software, seleccione **Instalación mínima**. Si desea elegir el software que se va a instalar, seleccione **Instalación personalizada**.
6. En la pantalla Preparada para instalar, seleccione Instalar y espere a que se complete la instalación.

Configuración manual de una dirección IP

La impresora puede encontrar automáticamente una dirección IP en el servidor de red BootP / DHCP o se puede configurar en el software. Pero si desea asignar una dirección IP particular a su impresora, puede configurar una dirección IP manualmente en el panel de control de la impresora.

1. Presione el botón **Menú** del panel de control de la impresora y busque el menú **JETDIRECT**. Normalmente, seleccionará el menú **CONFIGURAR DISPOSITIVO**, luego el menú **E/S** y, finalmente, el menú **JETDIRECT**.
2. En el menú **JETDIRECT**, seleccione el menú **TCP/IP, CONFIGURACIÓN IPV4, CONFIG. MÉTODO** y, a continuación, seleccione **MANUAL**. Se agrega un elemento de **CONFIGURACIÓN MANUAL** al menú **TCP/IP**.
3. Utilice el menú **CONFIGURACIÓN MANUAL** y las teclas del panel de control para definir los valores de **DIRECCIÓN IP, MÁSCARA DE SUBRED, PASARELA PREDETERMINADA, SYSLOG SERVER (SERVIDOR SYSLOG)** y **TIEMPO DE ESPERA**.

Creación de un puerto de impresora mientras la impresora no está conectada a la red

Nota

Esta característica sólo es compatible en una red IP.

Para crear un puerto de impresora cuando la impresora no está actualmente conectada a la red, pero lo estará con posterioridad, tenga la siguiente información a su disposición:

- Nombre de la impresora o dirección IP
- Nombre del puerto
- Tipo de dispositivo

Pasos para la instalación:

1. Introduzca el CD suministrado con la impresora. El instalador del software deberá iniciarse automáticamente. Si no lo hace, busque el archivo setup.exe en el directorio raíz del CD y haga doble clic sobre él.
2. Seleccione el idioma del instalador y acepte el Acuerdo de licencia.
3. En la pantalla Conexión de impresora, seleccione **Conectada a través de la red**.
4. Permita que el software busque una impresora en la red. Cuando aparezca el cuadro de diálogo Impresora no encontrada, seleccione Siguiente. Elija Ingresar configuración para una impresora que no está en la red y seleccione Siguiente. En la pantalla Configuración de impresora, identifique la impresora especificando el hardware o una dirección IP.
5. En la pantalla Establecer nombre de puerto, seleccione el nombre de puerto o use el nombre predeterminado.
6. En la pantalla Nombre de impresora, introduzca un nombre para la impresora que se utilizará en la carpeta Impresoras.
7. Si comparte la impresora con otros equipos que ejecutan sistemas operativos diferentes al que está usando, agregue estos controladores en la pantalla Compatibilidad de controladores cliente una vez instalada la impresora.
 - Para agregar los controladores que se van a compartir con sistemas operativos diferentes, resalte la impresora y seleccione **Archivo, Propiedades**. En la ficha Compartir, seleccione **Controladores adicionales** y señale los controladores que va a agregar

8. Si utiliza Windows 2000 y XP, puede introducir la ubicación e información descriptiva si lo desea.
9. En la pantalla Preparada para instalar, seleccione **Instalar** y espere a que se complete la instalación.
10. Cuando desee usar la impresora, deberá conectarla a la red.

Installatiehandleiding voor netwerkprinters en gedeelde printers in Windows®

U kunt het beste het software-installatieprogramma van HP vanaf de cd die bij de printer wordt geleverd, gebruiken om de printer te installeren voor de netwerkconfiguraties die in dit document worden beschreven. U hoeft geen extra printersoftware te installeren als u dit installatieprogramma gebruikt.

U kunt deze configuraties ook instellen met de wizard Printer toevoegen, maar instructies voor deze werkwijze worden in dit document niet gegeven. Raadpleeg de *gebruikershandleiding* op de cd bij de printer voor deze instructies en voor meer informatie over het gebruik van het installatieprogramma. Instructies voor andere besturingssystemen kunt u hier ook vinden. In de beheerdershandleiding voor HP Jetdirect en in de installatieopmerkingen vindt u ook meer informatie. Deze staan ook op de cd.

Mogelijke netwerkconfiguraties

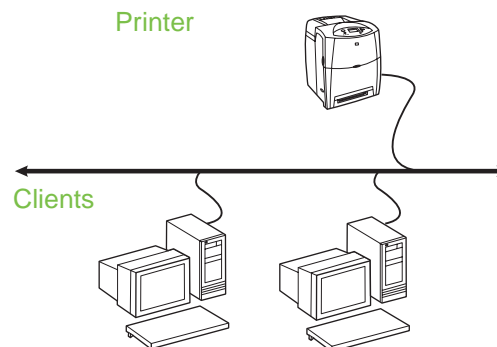
Vier mogelijke netwerkprinterconfiguraties:

1. De printer is rechtstreeks aangesloten op het netwerk (directe modus of peer-to-peer-afdrukken). Elke netwerkgebruiker drukt rechtstreeks af naar het netwerkadres van de netwerkkaart van de printer.
2. De printer is rechtstreeks aangesloten op het netwerk en een gedeelde afdrukwachtrij wordt geconfigureerd op een bestands-/printserver op het netwerk (client-server-afdrukken). Met deze gedeelde afdrukwachtrij worden taken via een netwerkpoort rechtstreeks naar de printer doorgestuurd.
3. De printer is rechtstreeks aangesloten op een computer die dient als een printserver, waarmee de printer kan worden gedeeld met clients op een netwerk.
4. Clients maken verbinding met een printer die al is ingesteld op het netwerk of maken verbinding met een afdrukwachtrij die wordt gedeeld met een andere client of bestands-/printserver.

In de volgende gedeelten vindt u informatie over elke netwerkconfiguratie en algemene installatiegegevens.

1 - Directmodus of peer-to-peer-afdrukken

De printer is rechtstreeks aangesloten op het netwerk en alle computers of clients drukken rechtstreeks af naar deze printer.



- **Aanbevolen voor groepen van tien tot twintig gebruikers of kleine bedrijven.**
- Hiervoor is een netwerkverbinding op de printer of een interne of externe printserver vereist. Als deze niet aanwezig is, moet u configuratie 3 gebruiken. Deze wordt hieronder weergegeven.
- Installatieoverzicht:
 - Hardware-installatie: sluit de printer rechtstreeks aan op het netwerk met een netwerkkabel.
 - Start de cd die bij de printer is geleverd en voer de onderstaande procedure uit voor **elke computer** om afdrukken mogelijk te maken.
 - Vereiste gegevens tijdens de software-installatie: printerhardware of IP-adres verkregen van pagina 2 van de configuratiepagina van de printer. Raadpleeg de *gebruikershandleiding* op de cd voor instructies over het afdrukken van de configuratiepagina.

Installatieprocedure:

1. Druk een configuratiepagina af en noteer het IP-adres op de tweede pagina onder **TCP-IP**. Raadpleeg de *gebruikershandleiding* op de cd voor instructies over het afdrucken van de configuratiepagina. Als het IP-adres 0.0.0.0 is, moet u wachten totdat het initialiseren is voltooid (twee of drie minuten) en drukt u opnieuw een configuratiepagina af. Als er geen geldig IP-adres via het netwerk wordt gevonden, wordt er automatisch een standaard IP-adres (192.0.0.192 of 169.254.x.x) toegewezen. Als u een bepaald IP-adres wilt toewijzen via het bedieningspaneel van de printer, gaat u naar de instructies aan het einde van dit document.
2. Plaats de cd die bij de printer is geleverd. Het installatieprogramma voor de software wordt automatisch gestart. Is dit niet het geval, dan gaat u naar setup.exe in de hoofdmap van de cd en dubbelklikt u hierop.
3. Selecteer de taal die u wilt gebruiken in het hulpprogramma en accepteer de Gebruiksrechtovereenkomst.
4. Selecteer **Via het netwerk** in het venster Printeraansluiting.
5. Selecteer de printer die u wilt installeren in het venster met gevonden printers.
6. Controleer de printerinstellingen in het venster Instellingen bevestigen.

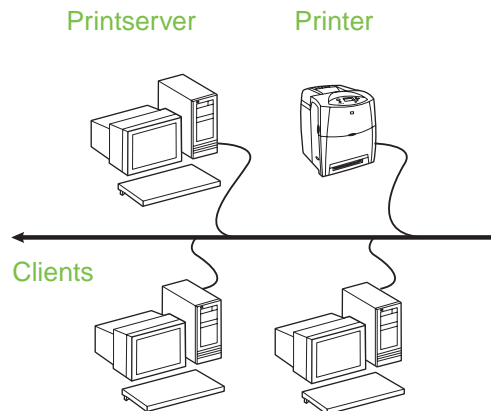
Opmerking

Als u het IP-adres handmatig wilt wijzigen, selecteert u Instellingen wijzigen in het venster Instellingen bevestigen en voert u de procedure uit.

7. Selecteer **Full installation** (Volledige installatie) in het venster Type installatie om de standaardsoftware te installeren. Selecteer **Basic Installation** (Basisinstallatie) om het minimumaantal stuurprogramma's en software te installeren. Selecteer **Aangepaste installatie** als u de software die u wilt installeren, wilt selecteren.
8. Geef een naam op voor de printer in het venster Printernaam die moet worden gebruikt in de map Printers. Voor Windows 2000 en Windows XP kunt u desgewenst een locatie en een beschrijving opgeven.
9. In het venster Gereed om te installeren, selecteert u **Installeren** en wacht u tot de installatie is voltooid.

2 - Client-server-afdrucken via gedeelde afdrukwachtrij die op een netwerkpoort is aangesloten

De printer is rechtstreeks aangesloten op het netwerk en er wordt een afdrukwachtrij gemaakt op een bestands-/printserver op het netwerk. Het afdrucken wordt beheerd met de server.



- **Aanbevolen voor grotere werkgroepen van meer dan 30 gebruikers. De instellingen van het printerstuurprogramma van de client worden beheerd door de beheerder.**
- Hiervoor is een netwerkverbinding op de printer of een interne of externe printserver vereist. Als er geen netwerkverbinding is, moet u configuratie 3 gebruiken. Deze wordt hieronder weergegeven.
- Installatieoverzicht:
 - Hardware-installatie: sluit de printer rechtstreeks aan op het netwerk met een netwerkkabel.
 - Start de cd die bij de printer is geleverd op de servercomputer om afdrucken in te schakelen.
- Vereiste informatie tijdens de installatie van de software:
 - Bepaal het hardware- of IP-adres van de printer. Deze staat op pagina 2 van de configuratiepagina van de printer. Raadpleeg de *gebruikershandleiding* op de cd voor instructies over het afdrucken van de configuratiepagina.
 - Geef een sharenaam op voor de printer.

Installatieprocedure:

1. Druk een configuratiepagina af en noteer het IP-adres op de tweede pagina onder **TCP-IP**. Raadpleeg de *gebruikershandleiding* op de cd voor instructies over het afdrukken van de configuratiepagina. Als het IP-adres 0.0.0.0 is, moet u wachten totdat het initialiseren is voltooid (twee of drie minuten) en drukt u opnieuw een configuratiepagina af. Als er geen geldig IP-adres via het netwerk wordt gevonden, wordt er automatisch een standaard IP-adres (192.0.0.192 of 169.254.x.x) toegewezen. Als u een bepaald IP-adres wilt toewijzen via het bedieningspaneel van de printer, gaat u naar de instructies aan het einde van dit document.
2. Plaats de cd die bij de printer is geleverd. Het installatieprogramma voor de software wordt automatisch gestart. Is dit niet het geval, dan gaat u naar setup.exe in de hoofdmap van de cd en dubbelklikt u hierop.
3. Selecteer de taal die u wilt gebruiken in het hulpprogramma en accepteer de Gebruiksrechtovereenkomst.
4. Selecteer **Via het netwerk** in het venster Printeraansluiting.
5. Controleer de printerinstellingen in het venster Instellingen bevestigen.

Opmerking

Als u het IP-adres handmatig wilt wijzigen, selecteert u Instellingen wijzigen in het venster Instellingen bevestigen en voert u de procedure uit.

6. Selecteer **Standaardinstallatie** in het venster Type installatie om de standaardsoftware te installeren. Selecteer **Minimuminstallatie** om het minimumaantal stuurprogramma's en software te installeren. Selecteer **Aangepaste installatie** als u de software die u wilt installeren, wilt selecteren.
7. Geef een naam op voor de printer in het venster Printernaam die moet worden gebruikt in de map Printers.
8. Klik in het venster Printer delen op de knop Printer delen en voer de procedure uit.
9. Als u de printer deelt met andere computers waarop andere besturingssystemen worden uitgevoerd dan op de computer die u gebruikt, moet u de stuurprogramma's toevoegen in het venster Ondersteuning van het stuurprogramma voor clients nadat de printer is geïnstalleerd.

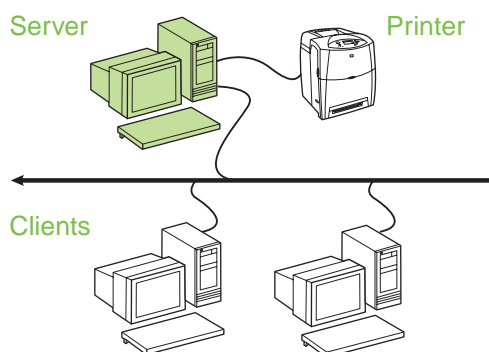
- Wilt u stuurprogramma's delen op verschillende besturingssystemen, dan markeert u de printer en selecteert u **Bestand, Eigenschappen**. Selecteer **Extra stuurprogramma's** op het tabblad Delen en wijs de gewenste stuurprogramma's aan.

10. Voor Windows 2000 en XP kunt u desgewenst een locatie en een beschrijving opgeven.
11. In het venster Gereed om te installeren, selecteert u **Installeren** en wacht u tot de installatie is voltooid.

3 - Client-server-afdrukken via gedeelde printer met een rechtstreekse verbinding

Serverinstallatie

De printer is rechtstreeks aangesloten op een computer met een parallelle of USB-kabel en is gedeeld met andere computers of clients via het netwerk.



- **Aanbevolen voor printers zonder netwerkverbinding.**
- De printer moet rechtstreeks zijn aangesloten op een computer met een parallelle of USB-kabel.
- Installatieoverzicht:
 - Hardware-installatie: sluit de printer rechtstreeks aan op de computer met een parallelle of USB-kabel.
 - Start de cd die bij de printer is geleverd op de servercomputer om afdrucken in te schakelen.
- Vereiste gegevens tijdens de software-installatie: geef de printer een sharenaam.

Installatieprocedure:

1. Plaats de cd die bij de printer is geleverd. Het installatieprogramma voor de software wordt automatisch gestart. Is dit niet het geval, dan gaat u naar setup.exe in de hoofdmap van de cd en dubbelklikt u hierop.
2. Selecteer de taal die u wilt gebruiken in het hulpprogramma en accepteer de Gebruiksrechtovereenkomst.
3. Selecteer **Rechtstreeks op deze computer** in het venster Printeraansluiting.
4. Selecteer de kabel die is gebruikt voor de aansluiting op de computer in het venster Connectortype.
5. Controleer de printerinstellingen in het venster Instellingen bevestigen.

Opmerking

Als u het IP-adres handmatig wilt wijzigen, selecteert u Instellingen wijzigen in het venster Instellingen bevestigen en voert u de procedure uit.

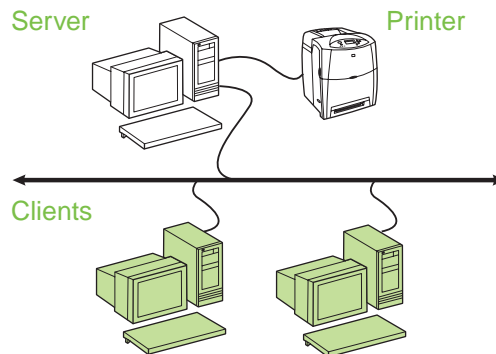
6. Selecteer **Standaardinstallatie** in het venster Type installatie om de standaardsoftware te installeren. Selecteer **Minimuminstallatie** om het minimumaantal stuurprogramma's en software te installeren. Selecteer **Aangepaste installatie** als u de software die u wilt installeren, wilt selecteren.
7. Geef een naam op voor de printer in het venster Printernaam die moet worden gebruikt in de map Printers.
8. Klik in het venster Printer delen op de knop Printer delen en voer de procedure uit.
9. Als u de printer deelt met andere computers waarop andere besturingssystemen worden uitgevoerd dan op de computer die u gebruikt, moet u de stuurprogramma's toevoegen in het venster Ondersteuning van het stuurprogramma voor clients nadat de printer is geïnstalleerd.
 - Wilt u stuurprogramma's delen op verschillende besturingssystemen, dan markeert u de printer en selecteert u Bestand, Eigenschappen. Selecteer Extra stuurprogramma's op het tabblad Delen en wijs de gewenste stuurprogramma's aan.
10. Voor Windows 2000 en XP kunt u desgewenst een locatie en een beschrijving opgeven.
11. In het venster Gereed om te installeren selecteert u Installeren en wacht u tot de installatie is voltooid.

4 - Client-server-afdrucken via gedeelde printer met een rechtstreekse verbinding

Clientinstallatie

Opmerking

De serverinstallatie moet zijn voltooid (zie configuratie 3) voordat de clientinstallatie kan worden uitgevoerd.



- **Wordt aanbevolen als de printer al is aangesloten op het netwerk en een afdrukwachtrij wordt gedeeld vanaf een bestands-/printserver op het netwerk of als de printer rechtstreeks is aangesloten op een computer op het netwerk en wordt gedeeld met andere clients op het netwerk.**
- Start de cd die bij de printer is geleverd op de clientcomputer om afdrucken in te schakelen.
- Vereiste informatie tijdens de installatie van de software:
 - UNC-naam (Universal Naming Convention) voor de gedeelde printer
 - Voorbeeld:
\\servernaam\sharenaam\pad\bestandsnaam

Installatieprocedure:

1. Plaats de cd die bij de printer is geleverd. Het installatieprogramma voor de software wordt automatisch gestart. Is dit niet het geval, dan gaat u naar setup.exe in de hoofdmap van de cd en dubbelklikt u hierop.
2. Selecteer de taal die u wilt gebruiken in het hulpprogramma en accepteer de Gebruiksrechtovereenkomst.
3. Selecteer **Via het netwerk** in het venster Printeraansluiting.

4. Selecteer de printer die u wilt installeren in het venster met gevonden printers.
5. Selecteer **Standaardinstallatie** in het venster Type installatie om de standaardsoftware te installeren. Selecteer **Minimuminstallatie** om het minimumaantal stuurprogramma's en software te installeren. Selecteer **Aangepaste installatie** als u de software die u wilt installeren, wilt selecteren.
6. In het venster Gereed om te installeren selecteert u Installeren en wacht u tot de installatie is voltooid.

Een IP-adres handmatig configureren

De printer kan automatisch een IP-adres zoeken vanaf de BootP/DHCP-server of u kunt het IP-adres configureren vanuit de software. Als u een bepaald IP-adres wilt toewijzen aan de printer, kunt u een IP-adres handmatig configureren vanaf het bedieningspaneel van de printer.

1. Druk op de knop **Menu** op het bedieningspaneel van de printer en ga naar het menu **JETDIRECT**. Over het algemeen selecteert u het menu **APPARAAT CONFIGUREREN**, vervolgens het menu **I/O** en **JETDIRECT**.
2. Selecteer in het menu **JETDIRECT** het menu **TCP/IP**. Selecteer vervolgens het menu **IPV4-INSTELLINGEN**, het menu **CONFIG.METHODE** en kies **HANDMATIG**. Een item van **HANDM. INSTELL.** wordt toegevoegd aan het menu **TCP/IP**.
3. Gebruik het menu **HANDM. INSTELL.** en de knoppen op het bedieningspaneel om de waarden voor **IP-ADRES**, **SUBNETMASKER**, **STANDRD GATEWAY**, **SYSLOG-SERVER** en **TIME-OUT INACT.** in te stellen.

Een printerpoort maken als de printer niet is aangesloten op het netwerk

Opmerking Deze functie wordt alleen ondersteund op een IP-netwerk.

Als u een printerpoort wilt maken en de printer is nog niet op het netwerk aangesloten, moet u de volgende informatie beschikbaar hebben:

- Printernaam of IP-adres
- Poortnaam
- Apparaattype

Installatieprocedure:

1. Plaats de cd die bij de printer is geleverd. Het installatieprogramma voor de software wordt automatisch gestart. Is dit niet het geval, dan gaat u naar setup.exe in de hoofdmap van de cd en dubbelklikt u hierop.
2. Selecteer de taal die u wilt gebruiken in het hulpprogramma en accepteer de Gebruiksrechtovereenkomst.
3. Selecteer **Via het netwerk** in het venster Printeraansluiting.
4. Laat de software zoeken naar een printer op het netwerk. Selecteer Volgende als het dialoogvenster Printer is niet gevonden wordt weergegeven. Kies de optie voor het opgeven van instellingen als een printer niet in het netwerk wordt gevonden en selecteer Volgende. In het venster met printerinstellingen geeft u de printer op met de hardware of een IP-adres.
5. Selecteer de poortnaam of gebruik de standaardnaam in het venster voor het instellen van de poortnaam.
6. Geef een naam op voor de printer in het venster Printernaam die moet worden gebruikt in de map Printers.

7. Als u de printer deelt met andere computers waarop andere besturingssystemen worden uitgevoerd dan op de computer die u gebruikt, moet u de stuurprogramma's toevoegen in het venster Ondersteuning van het stuurprogramma voor clients nadat de printer is geïnstalleerd.
 - Wilt u stuurprogramma's delen op verschillende besturingssystemen, dan markeert u de printer en selecteert u **Bestand, Eigenschappen**. Selecteer **Extra stuurprogramma's** op het tabblad Delen en wijs de gewenste stuurprogramma's aan.
8. Voor Windows 2000 en XP kunt u desgewenst een locatie en een beschrijving opgeven.
9. In het venster Gereed om te installeren, selecteert u **Installeren** en wacht u tot de installatie is voltooid.
10. Als u de printer wilt gaan gebruiken, moet u de printer aansluiten op het netwerk.

Guia de instalação para impressoras em rede e compartilhadas em sistemas operacionais Windows®

A HP recomenda a utilização do instalador de software HP no CD fornecido com a impressora para instalá-la com as configurações de rede descritas neste documento. Você não precisa instalar nenhum software de impressora adicional utilizando esse instalador.

Também é possível instalar essas configurações utilizando o Assistente para adicionar impressora, mas as instruções sobre como fazer isso não estão incluídas neste documento. Consulte o *Guia do usuário*, localizado no CD enviado com a impressora, para obter essas instruções e instruções mais detalhadas sobre a utilização do instalador. Instruções para outros sistemas operacionais também podem ser encontradas nele. O HP Jetdirect Administrator Guide (Guia do administrador do HP JetDirect) e as Installation Notes (Notas de instalação), também localizados no CD, fornecem instruções adicionais.

Possíveis configurações de rede

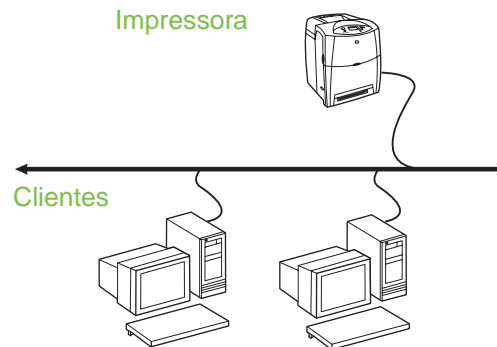
As quatro possíveis configurações da impressora em rede incluem:

1. A impressora está conectada diretamente à rede (impressão de modo direto ou de ponto a ponto). Cada usuário da rede imprime diretamente no endereço de rede da placa de rede da impressora.
2. A impressora está conectada diretamente à rede e uma fila de impressão compartilhada está configurada em um servidor de impressão/arquivos (impressão cliente-servidor). Essa fila de impressão compartilhada faz spools diretamente na impressora por meio de uma porta de rede.
3. A impressora está conectada diretamente a um PC que age como um servidor de impressão e permite que a impressora seja compartilhada na rede.
4. Os PCs clientes se conectam a uma impressora configurada na rede ou a uma fila de impressão compartilhada de outro PC cliente ou do servidor de impressão/arquivos.

As seções a seguir fornecem informações sobre cada configuração de rede e informações básicas sobre a instalação.

1 - Impressão de modo direto ou de ponto a ponto

A impressora é conectada diretamente à rede e todos os PCs ou clientes imprimem diretamente na impressora.



- **Recomendada para grupos de 10 a 20 usuários ou escritórios pequenos.**
- Requer uma conexão de rede na impressora ou um servidor de impressão interno ou externo. Se a impressora não tiver uma, utilize a configuração 3 a seguir.
- Visão geral da instalação:
 - Configuração de hardware – conecte a impressora diretamente à rede utilizando um cabo de rede.
 - Execute o CD fornecido com a impressora e siga as etapas abaixo em **cada PC** para ativar a impressão.
 - Informações necessárias durante a configuração do software – endereço de hardware ou endereço IP da impressora obtidos na página 2 da configuração da impressora. Para obter instruções sobre como imprimir a página de configuração, consulte o *Guia do usuário* no CD.

Etapas de instalação:

1. Imprima uma página de configuração e anote o endereço IP na segunda página, em **TCP-IP**. Para obter instruções sobre como imprimir a página de configuração, consulte o *Guia do usuário* no CD. Se o endereço IP for 0.0.0.0, aguarde a conclusão da inicialização (2 ou 3 minutos) e imprima outra página de configuração. Se ainda assim não for encontrado um endereço IP válido na rede, um endereço IP padrão (192.0.0.192 ou 169.254.x.x) será atribuído automaticamente. Se você deseja atribuir um determinado endereço IP usando o painel de controle da impressora, consulte as instruções no fim deste documento.
2. Insira o CD fornecido com a impressora. O instalador do software deve ser iniciado sem assistência. Caso contrário, procure o arquivo `setup.exe` no diretório raiz do CD e clique duas vezes nele.
3. Selecione o idioma que gostaria que o instalador exibisse e aceite o Contrato de licença.
4. Na tela Conexão da impressora, selecione **Conectada pela rede**.
5. Na tela Impressoras encontradas, selecione a impressora a ser instalada.
6. Na tela Confirmar configurações, verifique as configurações da impressora.

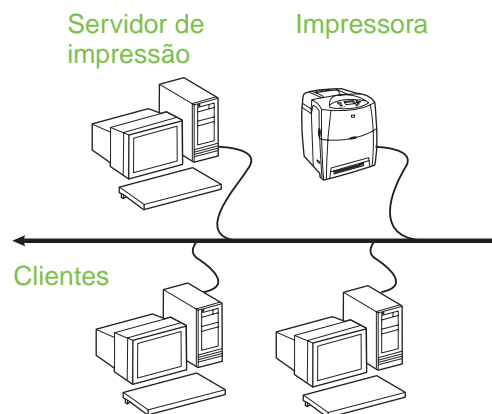
Nota

Para alterar manualmente o endereço IP da impressora, selecione Alterar configurações na tela Confirmar configurações e siga os prompts.

7. Na tela Tipo de instalação, selecione **Instalação típica** para instalar o software típico. Para instalar o conjunto mínimo de drivers e softwares, selecione **Instalação mínima**. Se desejar selecionar o software a ser instalado, selecione **Instalação personalizada**.
8. Na tela Nome da impressora, atribua o nome da impressora que será usado na pasta Impressoras. No Windows 2000 e no Windows XP, é possível fornecer a localização e as informações descritivas, conforme desejado.
9. Na tela Pronto para instalar, selecione **Instalar** e permita a conclusão da instalação.

2 - Impressão cliente-servidor por meio de uma fila de impressão compartilhada conectada a uma porta de rede

A impressora está conectada diretamente à rede e uma fila de impressão é criada em um servidor de impressão/arquivos. O servidor então gerencia a impressão.



- **Recomendada para grupos de trabalho grandes, mais de 30 usuários. Permite que o administrador controle as configurações do driver da impressora cliente.**
- Requer uma conexão de rede na impressora ou um servidor de impressão interno ou externo. Se a impressora não tiver uma conexão de rede, utilize a configuração 3 a seguir.
- Visão geral da instalação:
 - Configuração de hardware – conecte a impressora diretamente à rede utilizando um cabo de rede.
 - Execute o CD fornecido com a impressora no PC servidor para ativar a impressão.
- Informações necessárias durante a configuração do software:
 - Determine o endereço IP ou o endereço do hardware da impressora, obtido na página 2 da configuração da impressora. Para obter instruções sobre como imprimir a página de configuração, consulte o *Guia do usuário* no CD.
 - Defina um nome de compartilhamento para a impressora.

Etapas de instalação:

1. Imprima uma página de configuração e anote o endereço IP na segunda página, em **TCP-IP**. Para obter instruções sobre como imprimir a página de configuração, consulte o *Guia do usuário* no CD. Se o endereço IP for 0.0.0.0, aguarde a conclusão da inicialização (2 ou 3 minutos) e imprima outra página de configuração. Se ainda assim não for encontrado um endereço IP válido na rede, um endereço IP padrão (192.0.0.192 ou 169.254.x.x) será atribuído automaticamente. Se você desejar atribuir um determinado endereço IP usando o painel de controle da impressora, consulte as instruções no fim deste documento.
2. Insira o CD fornecido com a impressora. O instalador do software deve iniciar sem assistência. Caso contrário, procure o arquivo setup.exe no diretório raiz do CD e clique duas vezes nele.
3. Selecione o idioma que gostaria que o instalador exibisse e aceite o Contrato de licença.
4. Na tela Conexão da impressora, selecione **Conectada pela rede**.
5. Na tela Confirmar configurações, verifique as configurações da impressora.

Nota

Para alterar manualmente o endereço IP da impressora, selecione Alterar configurações na tela Confirmar configurações e siga os prompts.

6. Na tela Tipo de instalação, selecione **Instalação típica** para instalar o software típico. Para instalar o conjunto mínimo de drivers e software, selecione **Instalação mínima**. Se desejar selecionar o software a ser instalado, selecione **Instalação personalizada**.
7. Na tela Nome da impressora, atribua o nome da impressora que será usado na pasta Impressoras.
8. Na tela Compartilhamento da impressora, clique no botão Compartilhamento da impressora e siga os prompts.
9. Se estiver compartilhando a impressora com outros PCs que executem sistemas operacionais diferentes do que você usa, adicione esses drivers na tela Suporte ao driver do cliente após a instalação da impressora.

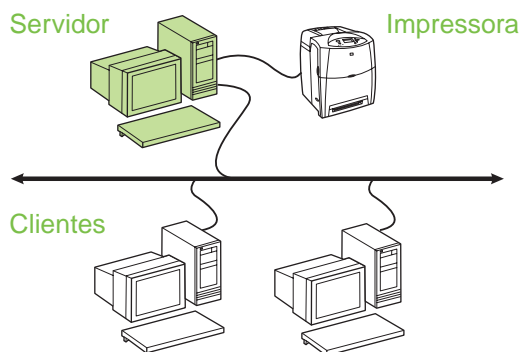
- Para adicionar drivers ao compartilhamento com sistemas operacionais diferentes, destaque a impressora e selecione **Arquivo, Propriedades**. Na guia Compartilhamento, selecione **Drivers adicionais** e aponte para os drivers desejados.

10. Nos Windows 2000 e XP, é possível fornecer a localização e informações descritivas, se desejar.
11. Na tela Pronto para instalar, selecione **Instalar** e permita a conclusão da instalação.

3 - Impressão cliente-servidor por meio de uma impressora compartilhada conectada diretamente

Instalação do servidor

A impressora é conectada diretamente a um PC por um cabo USB ou paralelo e é compartilhada com outros PCs ou clientes na rede.



- **Recomendada para impressoras que não possuem uma conexão de rede.**
- Requer que a impressora esteja conectada diretamente a um PC com um cabo paralelo ou USB.
- Visão geral da instalação:
 - Configuração de hardware – conecte a impressora diretamente ao PC com um cabo paralelo ou USB.
 - Execute o CD, fornecido com a impressora, no PC servidor para ativar a impressão.
- Informações necessárias durante a configuração do software – defina um nome de compartilhamento para a impressora.

Etapas de instalação:

1. Insira o CD fornecido com a impressora. O instalador do software deve ser iniciado sem assistência. Caso contrário, procure o arquivo setup.exe no diretório raiz do CD e clique duas vezes nele.
2. Selecione o idioma que gostaria que o instalador exibisse e aceite o Contrato de licença.
3. Na tela Conexão da impressora, selecione **Conectada diretamente ao computador**.
4. Na tela Tipo de conector, selecione o tipo de cabo utilizado para conectar a impressora.
5. Na tela Confirmar configurações, verifique as configurações da impressora.

Nota

Para alterar manualmente o endereço IP da impressora, selecione Alterar configurações na tela Confirmar configurações e siga os prompts.

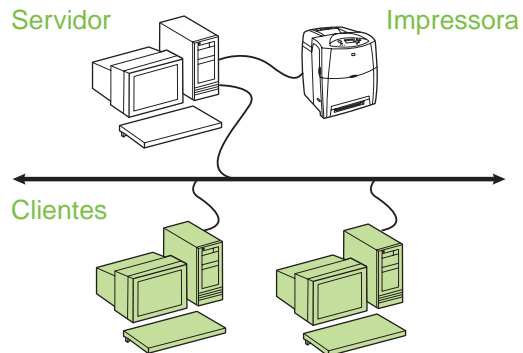
6. Na tela Tipo de instalação, selecione **Instalação típica** para instalar o software típico. Para instalar o conjunto mínimo de drivers e softwares, selecione **Instalação mínima**. Se desejar selecionar o software a ser instalado, selecione **Instalação personalizada**.
7. Na tela Nome da impressora, atribua o nome da impressora que será usado na pasta Impressoras.
8. Na tela Compartilhamento da impressora, clique no botão Compartilhamento da impressora e siga os prompts.
9. Se estiver compartilhando a impressora com outros PCs que executem sistemas operacionais diferentes do que você usa, adicione esses drivers na tela Suporte ao driver do cliente após a instalação da impressora.
 - Para adicionar drivers ao compartilhamento com sistemas operacionais diferentes, destaque a impressora e selecione Arquivo, Propriedades. Na guia Compartilhamento, selecione Drivers adicionais e aponte para os drivers desejados.
10. Nos Windows 2000 e XP, é possível fornecer a localização e informações descritivas, se desejar.
11. Na tela Pronto para instalar, selecione Instalar e permita a conclusão da instalação.

4 - Impressão cliente-servidor por meio de uma impressora compartilhada conectada diretamente

Instalação do cliente

Nota

A instalação do servidor deve ser concluída (veja configuração 3) antes da execução da instalação do cliente.



- Isso será recomendado quando a impressora já tiver sido conectada à rede e a fila de impressão for compartilhada a partir de um servidor de impressão/arquivos na rede. Também será recomendado quando ela estiver conectada diretamente a um PC da rede e compartilhada com outros PCs clientes da rede.
- Execute o CD fornecido com a impressora no PC cliente para ativar a impressão.
- Informações necessárias durante a configuração do software:
 - Nome Universal Naming Convention (convenção universal de nomenclatura)(UNC) da impressora compartilhada
 - Exemplo:
`\\nome_do_servidor\nome_do_compartilhamento\caminho\nome_do_arquivo`

Etapas de instalação:

1. Insira o CD fornecido com a impressora. O instalador do software deve ser iniciado sem assistência. Caso contrário, procure o arquivo setup.exe no diretório raiz do CD e clique duas vezes nele.
2. Selecione o idioma que gostaria que o instalador exibisse e aceite o Contrato de licença.

3. Na tela Conexão da impressora, selecione **Conectada pela rede**.
4. Na tela Impressoras encontradas, selecione a impressora a ser instalada.
5. Na tela Tipo de instalação, selecione **Instalação típica** para instalar o software típico. Para instalar o conjunto mínimo de drivers e softwares, selecione **Instalação mínima**. Se desejar selecionar o software a ser instalado, selecione **Instalação personalizada**.
6. Na tela Pronto para instalar, selecione Instalar e permita a conclusão da instalação.

Configuração manual de um endereço IP

A impressora pode encontrar automaticamente um endereço IP a partir do servidor BootP/DHCP da rede, ou ele pode ser configurado a partir do software. Mas se você deseja atribuir um determinado endereço IP à impressora, é possível configurá-lo manualmente a partir do painel de controle da impressora.

1. Pressione o botão **Menu** no painel de controle da impressora e localize o menu **JETDIRECT**. Normalmente, você seleciona o menu **CONFIGURAR DISPOSITIVO**, o menu **E/S** e, em seguida, o menu **JETDIRECT**.
2. No menu **JETDIRECT**, selecione o menu **TCP/IP**, o menu **CONFIGURAÇÕES IPV4**, o menu **MÉTODO DE CONFIG.** e, em seguida, **MANUAL**. Um item **CONFIGURAÇÕES MANUAIS** é adicionado ao menu **TCP/IP**.
3. Use o menu **CONFIGURAÇÕES MANUAIS** e as teclas do painel de controle para definir os valores de **ENDEREÇO IP**, **MÁSCARA DE SUB-REDE**, **GATEWAY PADRÃO**, **SERVIDOR SYSLOG** e **TEMPO LIMITE DE OCIOSIDADE**.

Como criar uma porta de impressora se ela não estiver conectada à rede

Nota

Esse recurso somente é suportado em uma rede IP.

Para criar uma porta de impressora que apenas estará conectada à rede mais tarde, você deverá ter as seguintes informações disponíveis:

- Nome da impressora ou endereço IP
- Nome da porta
- Tipo de dispositivo

Etapas de instalação:

1. Insira o CD fornecido com a impressora. O instalador do software deve iniciar sem assistência. Caso contrário, procure o arquivo setup.exe no diretório raiz do CD e clique duas vezes nele.
2. Selecione o idioma que gostaria que o instalador exibisse e aceite o Contrato de licença.
3. Na tela Conexão da impressora, selecione **Conectada pela rede**.
4. Permita que o software procure uma impressora na rede. Quando a caixa de diálogo Impressora não encontrada aparecer, selecione Avançar. Escolha Inserir configurações para uma impressora fora da rede e selecione Avançar. Na tela Configurações da impressora, identifique a impressora especificando o hardware ou um endereço IP.
5. Na tela Definir nome da porta, selecione o nome da porta ou use o padrão.
6. Na tela Nome da impressora, atribua o nome da impressora que será usado na pasta Impressoras.
7. Se estiver compartilhando a impressora com outros PCs que executem sistemas operacionais diferentes do que você usa, adicione esses drivers na tela Suporte ao driver cliente após a instalação da impressora.
 - Para adicionar drivers ao compartilhamento com sistemas operacionais diferentes, destaque a impressora e selecione **Arquivo, Propriedades**. Na guia Compartilhamento, selecione **Drivers adicionais** e aponte para os drivers desejados.

8. Nos Windows 2000 e XP, é possível fornecer a localização e informações descritivas, se desejar.
9. Na tela Pronto para instalar, selecione **Instalar** e permita a conclusão da instalação.
10. Quando estiver pronto para utilizar a impressora, você deverá conectá-la à rede.

יצירת יציאת מדפסת כאשר המדפסת אינה מחוברת לרשת

הערה

מאפיין זה נתמך אך ורק ברשת IP.

כדי ליצור יציאת מדפסת כאשר המדפסת אינה מחוברת לרשת באותו רגע, אך תהיה מחוברת במועד מאוחר יותר, הכן את המידע להלן:

- שם מדפסת או כתובת IP
- שם יציאה
- סוג התקן

שלבי ההתקנה:

1. הכנס את התקליטור המצורף למדפסת. מתקין התוכנה אמור להתחיל לפעול באופן עצמאי. אם מתקין התוכנה אינו מתחיל לפעול, אתר את הקובץ `setup.exe` בספריית הבסיס של התקליטור ולחץ עליו לחיצה כפולה.
2. בחר את השפה שבה ברצונך להציג את המתקין ואשר את הסכם הרישיון.
3. במסך 'חיבור המדפסת', בחר **מחוברת דרך הרשת**.
4. אפשר לתוכנה לחפש אחר מדפסת ברשת. בעת הצגת התיבה 'לא נמצאה מדפסת', בחר 'הבא'. בחר 'הזן הגדרות עבור מדפסת שאינה נמצאת ברשת' ובחר 'הבא'. במסך 'הגדרות מדפסת', ניתן לזהות את המדפסת על-ידי תיאור החומרה או כתובת IP.
5. במסך 'קביעת שם היציאה', בחר בשם היציאה או השתמש בהגדרת ברירת המחדל.
6. במסך 'שם מדפסת', בחר את שם המדפסת שיוצג בתיקייה 'מדפסות'.
7. אם הנך משתף את המדפסת עם מחשבים נוספים, שעליהם מותקנות מערכות הפעלה אחרות השונות מזו המותקנת במחשב שלך, הוסף את מנהלי ההתקן עבור מערכות הפעלה אלה במסך 'תמיכה במנהל התקן לקוח', לאחר התקנת המדפסת.
 - כדי להוסיף מנהלי התקן לשיתוף עם מערכות הפעלה שונות, סמן את המדפסת ובחר **קובץ, מאפיינים**. בכרטיסיה 'שיתוף', בחר **מנהלי התקנים נוספים** והצבע על מנהלי ההתקן הדרושים.
8. עבור Windows 2000 ו-XP, באפשרותך לספק מידע אודות מיקום ותיאור המדפסת, אם תרצה.
9. במסך 'מוכן להתקנה', בחר **התקן** ואפשר להתקנה להסתיים.
10. כאשר המדפסת מוכנה לשימוש, עליך לחבר אותה לרשת.

שלבי ההתקנה:

1. הכנס את התקליטור המצורף למדפסת. מתקין התוכנה אמור להתחיל לפעול באופן עצמאי. אם מתקין התוכנה אינו מתחיל לפעול, אתר את הקובץ setup.exe בספריית הבסיס של התקליטור ולחץ עליו לחיצה כפולה.
2. בחר את השפה שבה ברצונך להציג את המתקין ואשר את הסכם הרישיון.
3. במסך 'חיבור המדפסת', בחר **מחוברת דרך הרשת**.
4. במסך 'מדפסות שנמצאו', בחר במדפסת שברצונך להתקין.
5. במסך 'סוג התקנה', בחר **התקנה אופיינית** כדי להתקין את התוכנה הרגילה. כדי להתקין את הערכה המינימלית של מנהלי התקנים ותוכנות, בחר **התקנה מינימלית**. אם ברצונך לבחור את התוכנה להתקנה, בחר **התקנה מותאמת אישית**.
6. במסך 'מוכן להתקנה', בחר 'התקן' ואפשר להתקנה להסתיים.

הגדרה ידנית של כתובת IP

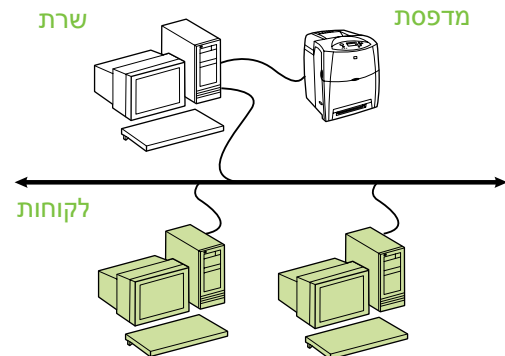
המדפסת יכולה לאתר כתובת IP באופן אוטומטי משרת BootP/DHCP ברשת, או לחלופין, ניתן להגדיר את הכתובת מתוך התוכנה. אך אם ברצונך להקצות כתובת IP למדפסת שלך, באפשרותך להגדיר כתובת IP באופן ידני באמצעות לוח הבקרה של המדפסת.

1. לחץ על לחצן **Menu** (תפריט) בלוח הבקרה של המדפסת ואתר את התפריט **JETDIRECT**. בחר בתפריט **CONFIGURE DEVICE** (הגדרת תצורה של התקן), לאחר מכן בתפריט **I/O** (קלט/פלט) ולאחר מכן בחר בתפריט **JETDIRECT**.
2. בתפריט **JETDIRECT**, בחר בתפריט **TCP/IP**, בחר בתפריט **IPV4 SETTINGS** (הגדרות IPV4), בחר בתפריט **CONFIG METHOD** (שיטת תצורה) ולאחר מכן בחר **MANUAL** (ידנית). הפריט **MANUAL SETTINGS** (הגדרות ידניות) נוסף לתפריט **TCP/IP**.
3. השתמש בתפריט **MANUAL SETTINGS** (הגדרות ידניות) ובלחצני לוח הבקרה, כדי לקבוע את הערכים עבור **IP ADDRESS** (כתובת IP), **SUBNET MASK** (מסיכת רשת משנה), **DEFAULT GATEWAY** (שער ברירת מחדל), **SYSLOG SERVER** (שרת Syslog) ו-**IDLE TIMEOUT** (פסק זמן במצב חוסר פעולה).

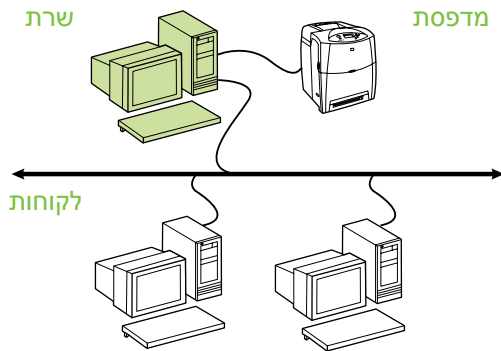
8. במסך 'שיתוף מדפסת', לחץ על לחצן 'שיתוף מדפסת' ועקוב אחר ההוראות.
9. אם הנך משתף את המדפסת עם מחשבים נוספים, שעליהם מותקנות מערכות הפעלה אחרות השונות מזו המותקנת במחשב שלך, הוסף את מנהלי ההתקן עבור מערכות הפעלה אלה במסך 'תמיכה במנהל התקן לקוח', לאחר התקנת המדפסת.
 - כדי להוסיף מנהלי התקן לשיתוף עם מערכות הפעלה שונות, סמן את המדפסת ובחר 'קובץ', 'מאפיינים'. בכרטיסייה 'שיתוף', בחר 'מנהלי התקנים נוספים' והצבע על מנהלי ההתקן הדרושים.
10. עבור Windows 2000 ו-XP, באפשרותך לספק מידע אודות מיקום ותיאור המדפסת, אם תרצה.
11. במסך 'מוכן להתקנה', בחר 'התקן' ואפשר להתקנה להסתיים.

4 - הדפסת לקוח-שרת באמצעות מדפסת משותפת, מחוברת בחיבור ישיר**התקנת לקוח****הערה**

התקנת לקוח תתאפשר רק לאחר סיום ההתקנה של השרת (ראה תצורה 3).



- מומלץ כאשר המדפסת כבר חוברה לרשת וכאשר תור ההדפסה הוא משותף מקובץ רשת/שרת הדפסה, או מחוברת ישירות למחשב רשת ומשותפת למחשבי לקוח אחרים ברשת.
- הפעל את התקליטור המצורף למדפסת, במחשב הלקוח, כדי לאפשר הדפסה.
- מידע הנחוץ במהלך התקנת התוכנה:
 - שם UNC (Universal Naming Convention) עבור המדפסת המשותפת
 - דוגמה: \\server_name\sharename\path\filename



● **מומלץ למדפסות שאין להן חיבור רשת.**

- מחייב שהמדפסת תהיה מחוברת ישירות למחשב אישי, באמצעות כבל מקבילי או כבל USB.
- סקירת ההתקנה:
 - התקנת חומרה – חבר את המדפסת ישירות לרשת, באמצעות כבל מקבילי או כבל USB.
 - הפעל את התקליטור המצורף למדפסת, על-גבי מחשב השרת, כדי לאפשר הדפסה.
- מידע הנחוץ במהלך התקנת התוכנה - בחר שם שיתוף למדפסת.

שלבי ההתקנה:

1. הכנס את התקליטור המצורף למדפסת. מתקין התוכנה אמור להתחיל לפעול באופן עצמאי. אם מתקין התוכנה אינו מתחיל לפעול, אתר את הקובץ setup.exe בספריית הבסיס של התקליטור ולחץ עליו לחיצה כפולה.
2. בחר את השפה שבה ברצונך להציג את המתקין ואשר את הסכם הרישיון.
3. במסך 'חיבור המדפסת', בחר **מחוברת ישירות למחשב זה**.
4. במסך 'סוג מחבר', בחר את סוג הכבל שישימש לחיבור המדפסת.
5. במסך 'אישור הגדרות', אמת את הגדרות המדפסת.

הערה

כדי לשנות באופן ידני את כתובת ה-IP של המדפסת, בחר 'שינוי הגדרות' במסך 'אישור הגדרות' ופעל לפי ההוראות.

6. במסך 'סוג התקנה', בחר **התקנה אופיינית** כדי להתקין את התוכנה הרגילה. כדי להתקין את הערכה המינימלית של מנהלי התקנים ותוכנות, בחר **התקנה מינימלית**. אם ברצונך לבחור את התוכנה להתקנה, בחר **התקנה מותאמת אישית**.
7. במסך 'שם מדפסת', בחר את שם המדפסת שיוצג בתיקייה 'מדפסות'.

3. בחר את השפה שבה ברצונך להציג את המתקין ואשר את הסכם הרישיון.
4. במסך 'חיבור המדפסת', בחר **מחוברת דרך הרשת**.
5. במסך 'אישור הגדרות', אמת את הגדרות המדפסת.

הערה

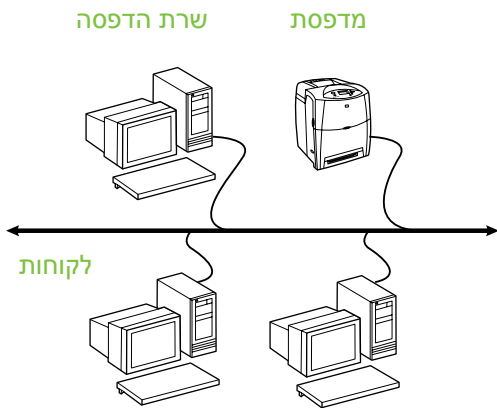
כדי לשנות באופן ידני את כתובת ה-IP של המדפסת, בחר 'שינוי הגדרות' במסך 'אישור הגדרות' ופעל לפי ההוראות.

6. במסך 'סוג התקנה', בחר **התקנה אופיינית** כדי להתקין את התוכנה הרגילה. כדי להתקין את הערכה המינימלית של מנהלי התקנים ותוכנות, בחר **התקנה מינימלית**. אם ברצונך לבחור את התוכנה להתקנה, בחר **התקנה מותאמת אישית**.
7. במסך 'שם מדפסת', בחר את שם המדפסת שיוצג בתיקייה 'מדפסות'.
8. במסך 'שיתוף מדפסת', לחץ על לחצן 'שיתוף מדפסת' ופעל לפי ההוראות.
9. אם הנך משתף את המדפסת עם מחשבים נוספים, שעליהם מותקנות מערכות הפעלה אחרות השונות מזו המותקנת במחשב שלך, הוסף את מנהלי ההתקן עבור מערכות הפעלה אלה במסך 'תמיכה במנהל התקן לקוח', לאחר התקנת המדפסת.
 - כדי להוסיף מנהלי התקן לשיתוף עם מערכות הפעלה שונות, סמן את המדפסת ובחר **קובץ מאפיינים**. בכרטיסייה 'שיתוף', בחר **מנהלי התקנים נוספים** והצבע על מנהלי ההתקן הדרושים.
10. עבור Windows 2000 ו-XP, באפשרותך לספק מידע אודות מיקום ותיאור המדפסת, אם תרצה.
11. במסך 'מוכן להתקנה', בחר **התקן** ואפשר להתקנה להסתיים.

3 - הדפסת לקוח-שרת באמצעות מדפסת משותפת, מחוברת בחיבור ישיר

התקנת השרת

המדפסת מחוברת ישירות למחשב אישי באמצעות כבל USB או כבל מקבילי, והיא משותפת למחשבים אחרים או לקוחות אחרים ברשת.



מומלץ לקבוצות גדולות יותר, בנות יותר מ-30 משתמשים. מאפשר למנהל המערכת לשלוט על הגדרות מנהל התקן ההדפסה של הלקוח.

מחייב חיבור רשת למדפסת או שרת הדפסה פנימי או חיצוני. אם למדפסת אין חיבור רשת, השתמש בתצורה 3 שלהלן.

סקירת ההתקנה:

- התקנת חומרה – חבר את המדפסת ישירות לרשת, באמצעות כבל רשת.
- הפעל את התקליטור המצורף למדפסת, במחשב השרת, כדי לאפשר הדפסה.
- מידע הנחוץ במהלך התקנת התוכנה:
 - אתר את כתובת החומרה או את כתובת ה-IP, בעמוד השני של דף התצורה של המדפסת. לקבלת הוראות אודות אופן ההדפסה של דף תצורה, ראה את המדריך למשתמש, הכלול בתקליטור.
 - בחר שם שיתוף למדפסת.

שלבי ההתקנה:

1. הדפס דף תצורה ושים לב לכתובת ה-IP בעמוד השני, תחת **TCP-IP**. לקבלת הוראות אודות אופן ההדפסה של דף תצורה, ראה את המדריך למשתמש, הכלול בתקליטור. אם כתובת ה-IP היא 0.0.0.0, המתן עד לסיום תהליך האתחול (2 או 3 דקות) והדפס דף תצורה נוסף. אם לא נמצאה ברשת כתובת IP חוקית, כתובת IP המשמשת כברירת מחדל (192.0.0.192 או 169.254.x.x) מוקצית באופן אוטומטי. אם ברצונך להקצות כתובת IP מסוימת באמצעות לוח הבקרה של המדפסת, עיין בהוראות בסוף מסמך זה.
2. הכנס את התקליטור המצורף למדפסת. מתקין התוכנה אמור להתחיל לפעול באופן עצמאי. אם מתקין התוכנה אינו מתחיל לפעול, אתר את הקובץ setup.exe בספריית הבסיס של התקליטור ולחץ עליו לחיצה כפולה.

2. הכנס את התקליטור המצורף למדפסת. מתקין התוכנה אמור להתחיל לפעול באופן עצמאי. אם מתקין התוכנה אינו מתחיל לפעול, אתר את הקובץ setup.exe בספריית הבסיס של התקליטור ולחץ עליו לחיצה כפולה.
3. בחר את השפה שבה ברצונך להציג את המתקין ואשר את הסכם הרישיון.
4. במסך 'חיבור המדפסת', בחר **מחוברת דרך הרשת**.
5. במסך 'מדפסות שנמצאו', בחר במדפסת שברצונך להתקין.
6. במסך 'אישור הגדרות', אמת את הגדרות המדפסת.

הערה

כדי לשנות באופן ידני את כתובת ה-IP של המדפסת, בחר 'שינוי הגדרות' במסך 'אישור הגדרות' ופעל לפי ההוראות.

7. במסך 'סוג התקנה', בחר **התקנה מלאה** כדי להתקין את התוכנה הרגילה. כדי להתקין את הערכה המינימלית של מנהלי התקנים ותוכנות, בחר **התקנה בסיסית**. אם ברצונך לבחור את התוכנה להתקנה, בחר **התקנה מותאמת אישית**.
8. במסך 'שם מדפסת', בחר את שם המדפסת שיוצג בתיקייה 'מדפסות'. עבור Windows 2000 ו-Windows XP, באפשרותך לספק מידע אודות מיקום ותיאור המדפסת, אם תרצה.
9. במסך 'מוכן להתקנה', בחר **התקן** ואפשר להתקנה להסתיים.

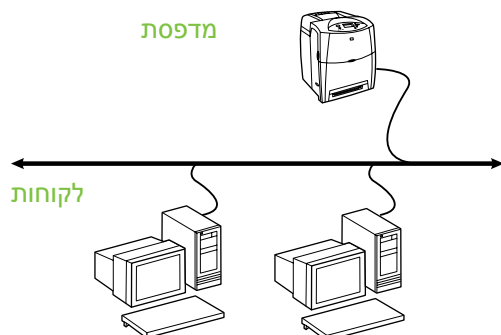
2 - הדפסת לקוח-שרת באמצעות תור הדפסה משותף המחובר ליציאת רשת

המדפסת מחוברת ישירות לרשת ותור הדפסה מוגדר בקובץ רשת/שרת הדפסה. השרת מנהל את ההדפסה.

מדריך התקנה למדפסת משותפת המחוברת לרשת עבור מערכות הפעלה של Windows®

1 - הדפסת עמית-לעמית או מצב ישיר

המדפסת מחוברת ישירות לרשת וכל המחשבים או הלקוחות מדפיסים ישירות למדפסת.



HP ממליצה להשתמש במתקין התוכנה של HP, הזמין בתקליטור המצורף למדפסת, לצורך התקנת המדפסת באמצעות הגדרות התצורה של הרשת המתוארות במסמך זה. אינך נדרש להתקין תוכנת מדפסת נוספת, עקב השימוש במתקין זה.

באפשרותך גם להגדיר תצורות אלה באמצעות אשף הוספת המדפסת, אך ההוראות לכך אינן מפורטות במסמך זה. ראה את המדריך למשתמש, שנמצא בתקליטור המצורף למדפסת, לקבלת הוראות אלה והוראות מפורטות יותר אודות השימוש במתקין. ניתן למצוא בתקליטור גם הוראות עבור התקנה על-גבי מערכות הפעלה אחרות. המדריך HP Jetdirect Administrator Guide (מדריך למנהל HP Jetdirect) וההערות עבור ההתקנה, הנמצאים גם כן בתקליטור, כוללים הוראות נוספות.

תצורות רשת אפשריות

ארבע תצורות אפשריות למדפסת רשת, כוללות:

1. המדפסת מחוברת ישירות לרשת (מצב הדפסה ישיר או מצב עמית-לעמית). כל אחד ממשמשי הרשת שולח את ההדפסה ישירות לכתובת הרשת של כרטיס הרשת של המדפסת.
2. המדפסת מחוברת ישירות לרשת ותור הדפסה משותף מוגדר בקובץ רשת/שרת הדפסה (הדפסת לקוח-שרת). תור הדפסה משותף זה שולח להדפסה ברקע ישירות למדפסת באמצעות יציאת רשת.
3. המדפסת מחוברת ישירות למחשב המתפקד כשרת הדפסה. הדבר מאפשר למדפסת להיות משותפת למחשבי לקוח ברשת.
4. מחשבי לקוח מתחברים למדפסת שכבר הוגדרה ברשת, או מתחברים לתור הדפסה המשותף למחשב לקוח אחר או לקובץ/שרת הדפסה.

● מומלץ לקבוצות בנות 10 עד 20 משתמשים או למשרדים קטנים.

● מחייב חיבור רשת למדפסת או שרת הדפסה פנימי או חיצוני. אם למדפסת אין אחד מאלה, השתמש בתצורה 3 שלהלן.

● סקירת ההתקנה:

- התקנת חומרה – חבר את המדפסת ישירות לרשת, באמצעות כבל רשת.
- הפעל את התקליטור המצורף למדפסת ופעל בהתאם לשלבים שלהלן, עבור כל מחשב, כדי לאפשר הדפסה.
- מידע הנחוץ במהלך התקנת התוכנה – חומרת המדפסת או כתובת ה-IP, המופיעה בעמוד 2 בדף התצורה של המדפסת. לקבלת הוראות אודות אופן ההדפסה של דף תצורה, ראה את המדריך למשתמש, הכלול בתקליטור.

שלבי ההתקנה:

1. הדפס דף תצורה ושים לב לכתובת ה-IP בעמוד השני, תחת TCP-IP. לקבלת הוראות אודות אופן ההדפסה של דף תצורה, ראה את המדריך למשתמש, הכלול בתקליטור. אם כתובת ה-IP היא 0.0.0.0, המתן עד לסיום תהליך האתחול (2 או 3 דקות) והדפס דף תצורה נוסף. אם לא נמצאה ברשת כתובת IP חוקית, כתובת IP המשמשת כברירת מחדל (192.0.0.192 או 169.254.x.x) מוקצית באופן אוטומטי. אם ברצונך להקצות כתובת IP מסוימת באמצעות לוח הבקרה של המדפסת, עיין בהוראות בסוף מסמך זה.

החלק הבא מספק מידע אודות כל תצורת רשת וכן מספק מידע בסיסי אודות התקנה.

© 2006 Hewlett-Packard Development Company, L.P.

www.hp.com



5851-2940