

External Media Cards

Document Part Number: 405763-001

May 2006

This guide explains how to use external media cards.

Contents

1 Digital Media Slot cards

Inserting a digital card	1-2
Stopping or removing a digital card.	1-3

2 PC Cards

Configuring a PC Card.	2-1
Inserting a PC Card	2-2
Stopping or removing a PC Card.	2-4

3 Smart cards (select models only)

Inserting a smart card.	3-2
Removing a smart card.	3-3

Digital Media Slot cards

Optional digital cards provide secure data storage and convenient data sharing. These cards are often used with digital media-equipped cameras and PDAs, as well as with other computers.

The Digital Media Slot supports the following digital card formats:

- Secure Digital (SD) Memory Card
- MultiMediaCard (MMC)



CAUTION: To avoid damaging the digital card or the computer, do not insert any type of adapter into the Digital Media Slot.

Inserting a digital card



CAUTION: To prevent damage to the digital card connectors, use minimal force to insert a digital card.

To insert a digital card:

1. Hold the digital card label-side up, with the connectors facing the computer.
2. Gently slide the card into the Digital Media Slot until the card is seated.

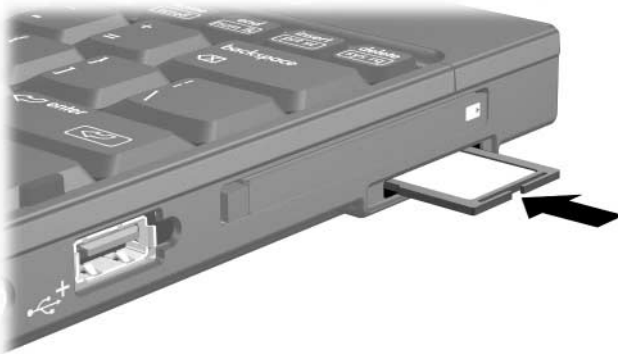
The operating system will issue a sound to indicate that a device has been detected.



The first time you insert a digital card, the “Found New Hardware” message is displayed in the notification area, at the far right of the taskbar.



Your computer may look slightly different from the illustrations in this chapter.



Stopping or removing a digital card



CAUTION: To prevent loss of information or an unresponsive system, stop the digital card before removing it.

To stop or remove a digital card:

1. Close all files and applications that are associated with the digital card.



To stop data transfer, click **Cancel** in the operating system Copying window.

2. To stop the digital card:

- a. Double-click the **Safely Remove Hardware** icon in the notification area, at the far right of the taskbar.



To display the Safely Remove Hardware icon, click the **Show Hidden Icons** icon (< or <<) in the notification area.

- b. Click the digital card listing.
- c. Click **Stop**.

3. To remove the card:
 - a. Gently press in on the digital card ❶ to unlock it.
 - b. Pull the digital card ❷ out of the slot.



PC Cards

A PC Card is a credit card–sized accessory designed to conform to the standard specifications of the Personal Computer Memory Card International Association (PCMCIA). The PC Card slot supports

- 32-bit (CardBus) and 16-bit PC Cards.
- Type I or Type II PC Cards.



Zoomed video PC Cards and 12-V PC Cards are not supported.

Configuring a PC Card



CAUTION: To prevent loss of support for other PC Cards, install only the software required for the device. If you are instructed by the PC Card manufacturer to install device drivers:

- Install only the device drivers for your operating system.
 - Do not install any other software, such as card services, socket services, or enablers, supplied by the PC Card manufacturer.
-



Your computer may look slightly different from the illustrations in this chapter.

Inserting a PC Card



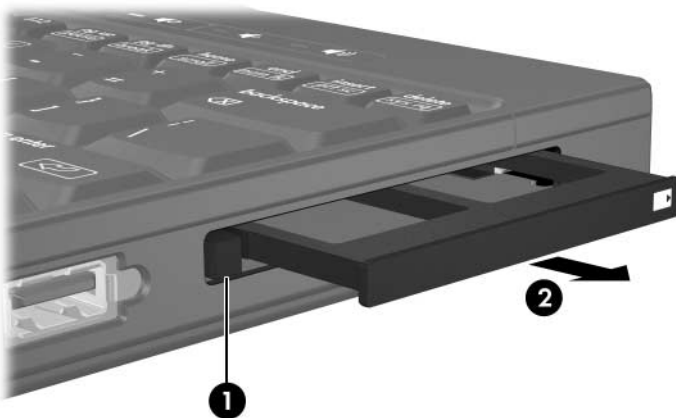
CAUTION: To prevent damage to the connectors:

- Use minimal force to insert a PC Card.
 - Do not move or transport the computer when a PC Card is in use.
-

The PC Card slot may contain a protective insert. The insert must be released and then removed before you can insert a PC Card.

1. To release and remove the PC Card slot insert:
 - a. Press the PC Card eject button **1**.


This action extends the button into position for releasing the insert.
 - b. Press the eject button again to release the insert.
 - c. Pull the insert out of the slot **2**.

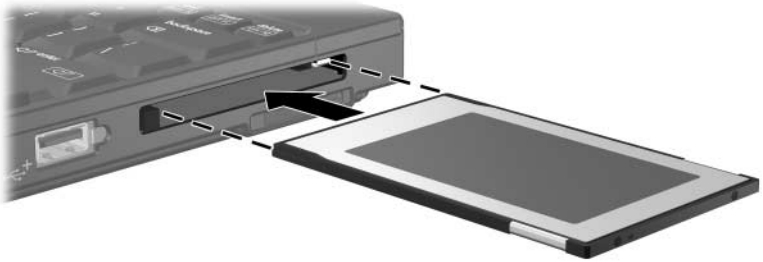


2. To insert a PC Card:

- a. Hold the PC Card label-side up, with the connectors facing the computer.
- b. Gently slide the card into the PC Card slot until the card is seated.

The operating system will issue a sound to indicate that a device has been detected.

 The first time you insert a PC Card, the “Found New Hardware” message is displayed in the notification area, at the far right of the taskbar.



Stopping or removing a PC Card



CAUTION: To prevent loss of information or an unresponsive system, stop a PC Card before removing it.



An inserted PC Card uses power even when idle. To conserve power, stop or remove a PC Card when it is not in use.

To stop or remove a PC Card:

1. Close all applications and complete all activities that are associated with the PC Card.



To stop a data transfer, click **Cancel** in the operating system Copying window.

2. To stop the PC Card:

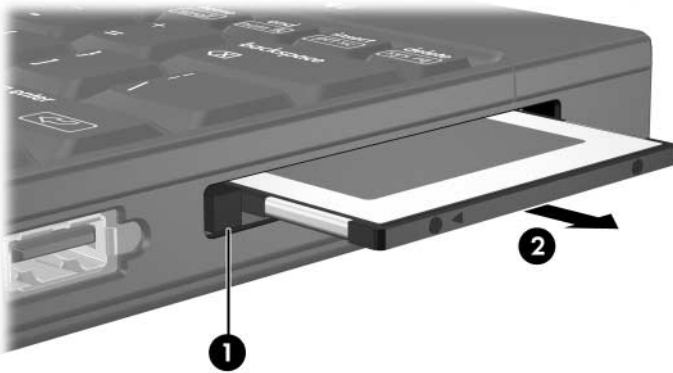
- a. Double-click the **Safely Remove Hardware** icon in the notification area, at the far right of the taskbar.



To display the Safely Remove Hardware icon, click the **Show Hidden Icons** icon (< or <<) in the notification area.

- b. Click the PC Card listing.
- c. Click **Stop**.

3. To remove the PC Card:
 - a. Press the PC Card slot eject button ❶.
This action extends the button into position for releasing the PC Card.
 - b. Press the eject button again to release the PC Card.
 - c. Pull the card ❷ out of the slot.



3

Smart cards (select models only)



The term *smart card* is used throughout this chapter to refer to both smart cards and Java™ Cards.

A smart card is a credit card–sized accessory that carries a microchip containing memory and a microprocessor. Like personal computers, smart cards have an operating system to manage input and output, and they include security features to protect against tampering. Industry-standard smart cards are used with the smart card reader (select models only).

A personal identification number (PIN) is needed to gain access to the contents of the microchip. For more information about smart card security features, refer to the Help and Support Center.

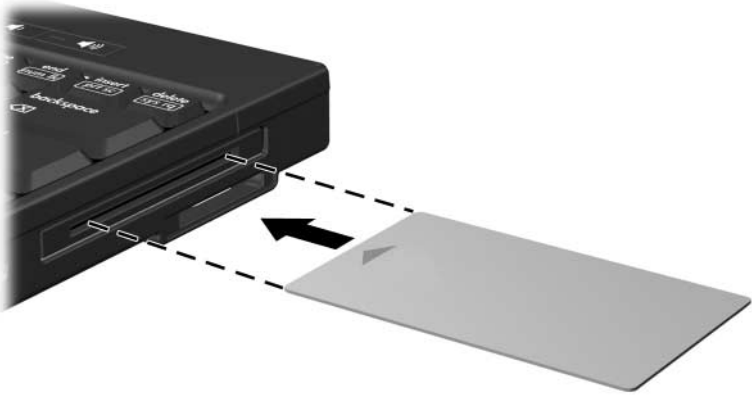


Your computer may look slightly different from the illustrations in this chapter.

Inserting a smart card

To insert a smart card:

1. Holding the smart card label-side up, gently slide the card into the smart card reader until the card is seated.



2. Follow the on-screen instructions for logging on to the computer using the smart card PIN.

Removing a smart card

To remove a smart card:

- » Grasp the edge of the smart card, and pull it out of the smart card reader.



© Copyright 2006 Hewlett-Packard Development Company, L.P.

SD Logo is a trademark of its proprietor. Java is a U.S. trademark of Sun Microsystems, Inc.

The information contained herein is subject to change without notice. The only warranties for HP products and services are set forth in the express warranty statements accompanying such products and services. Nothing herein should be construed as constituting an additional warranty. HP shall not be liable for technical or editorial errors or omissions contained herein.

External Media Cards

First Edition: May 2006

Document Part Number: 405763-001