



HP High Speed Dryer 104in

User's guide



Legal notices

The information contained herein is subject to change without notice.

The only warranties for HP products and services are set forth in the express warranty statement accompanying such products and services. Nothing herein should be construed as constituting an additional warranty. HP shall not be liable for technical or editorial errors or omissions contained herein.

Table of contents

1 Introduction	
Safety precautions	1
Warnings	1
Cautions	2
Handling precautions	2
Power supply	2
Dryer	3
2 How to assemble the dryer	
Before assembly	5
Assembly procedure	5
3 How to install the dryer	
Installation space	9
Power connection	9
4 Dryer components	
Main external components	11
Operation panel components	12
5 How to use the dryer	
Basic operating procedure	15
Efficient use of the dryer	16
Direction of warm air	16
Airflow setting	16
When room temperature is low	17
Paper setting with or without the take-up-reel unit	17
6 Maintenance and cleaning	
Maintenance	19
Cleaning	19
7 Specifications	
8 Legal information	
Limited Warranty—HP Designjet High Speed Dryer 104in	23
A. Extent of HP Limited Warranty	23

B. Limitations of liability	24
C. Local law	25
Regulatory notices	26
Regulatory Model Number	26
Regulatory statements	26
Europe	26
USA	26
Electro-Magnetic Compatibility (EMC)	26
FCC statements (U.S.A.)	26
Shielded cables	26
Canada	27
Normes de sécurité (Canada)	27
DOC statement (Canada)	27
Korea	27
Korean EMI statement	27
Taiwan	27
Taiwanese EMI statement	27
China	27
Chinese EMI statement	27
Germany	28
Sound	28
Address	28
Declaration of Conformity	28
declares that the product	28
conforms to the following product specifications	28
Additional information	29
Local contacts for regulatory topics only	29

1 Introduction

Thank you for purchasing the HP High Speed Dryer 104in (hereafter called the dryer).

The dryer is used near the printer's paper outlet to dry the ink printed on the paper efficiently.

The dryer helps the printer to maximize its high-speed printing capability.

Features of the dryer:

- **Quick dry in response to high-speed printing**

Dries the paper by warm air from the paper outlet which is the paper path from the printer to the winding unit.

- **24-hour timer**

Sets drying time by the timer for up to 24 hours in units of one hour, allowing energy saving and highly efficient drying.



NOTE The dryer dries the paper, but it takes more time to dry the ink on the paper. If processes such as laminating are needed after printing, it is not recommended to do it just after the paper is discharged from the printer. Some paper types cannot dry completely even with the dryer. If this is the case, set a scan wait time from the operation panel of the printer.

Safety precautions

Warnings

Failure to follow these guidelines could result in serious personal injury or death.

- Use the power supply voltage specified on the nameplate. Doing otherwise may cause fire or electric shock.
- The operation of the dryer releases volatile organic compounds from the inks into the work area. Install and operate the dryer only in a well-ventilated area. In some cases, installing an extraction hood near the dryer may be necessary to remove ink fumes from the work area.
- Avoid overloading the printer's electrical outlet with multiple devices.
- Make sure the dryer is well grounded. If not, a short circuit may cause fire or electric shock.
- Do not disassemble or remodel the dryer. Do not repair the dryer yourself. Doing so may cause fire, electric shock, or other accidents.

- Do not damage, break, process, or heat the power cable. Using a damaged power cable may cause fire or electric shock.
- Do not remove the covers attached to the dryer because they contain high-voltage and extremely hot parts. Careless removal might result in an electric shock or burn.
- Never use the dryer in a place of extreme humidity or any place where it can possibly be splashed by any liquids. If any liquids get into the dryer, it could lead to fire, electric shock, or other serious accidents.
- Do not remove the covers attached to the dryer, because the dryer contains high-voltage and extremely hot parts. Removal might result in an electric shock or burn.
- Do not allow metal or liquids to touch the internal parts of the dryer, which may cause fire, electric shock, or other accidents.
- Do not disconnect or connect the power cable with wet hands. Doing so may lead to electric shock.
- Turn off the dryer and unplug the power cable from the power outlet in any of the following cases:
 - When placing your hands inside the dryer.
 - If there is smoke or an unusual smell coming from the dryer.
 - If the dryer is making an unusual noise not heard during normal operation.
 - If a piece of metal or a liquid (not part of cleaning and maintenance routines) touches internal parts of the dryer.
 - If an error code is displayed on the front panel that requires attention from a service engineer.
 - During an electrical (thunder/lightning) storm.
 - During a power failure.

Cautions

Failure to follow these guidelines could result in minor personal injury or damage to the product.

- Handle the dryer carefully because it is very heavy. If you drop it, it could cause personal injury.
- Hold the electric cable by the plug when connecting or disconnecting it. Failing to do so may cause the cable to fray or break which could lead to electric shock and/or fire.
- Do not install the dryer on an unsteady or inclining surface. If you drop the dryer or it falls over, it could cause personal injury.
- The dryer gets hot. Take care not to touch the hot parts to avoid being injured.

Handling precautions

Power supply

- Install the dryer near a power outlet that is easy to access.
- Do not connect the dryer to the power supply which connects a motor or other machines generating noise.

- The dryer operates on 180-253 V, 50/60 Hz AC power, single-phase. Ensure that the power outlet meets the voltage and current requirements of the dryer. See [Specifications](#) for details.
- Do not connect a number of cables to a single socket. The dryer should be connected to a single outlet.

Dryer

- Do not place things or lean on the dryer.
- Do not wipe the cover with benzene or thinner. The coating may peel off or discolor.

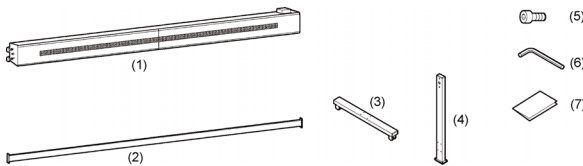
Wipe the surface of the cover lightly with a soft cloth. If the cover is dirty, wipe the surface with a cloth dipped in neutral detergent mixed with water and then squeezed firmly.

2 How to assemble the dryer

Please read the assembly instructions closely in order to assemble the dryer correctly.

Before assembly

The dryer package contains the parts shown below. Make sure that all parts are present before starting to assemble them.



1. Dryer unit
2. Support stay
3. Foot with castor (2)
4. Stand (2)
5. M5×12L hexagon socket head bolt (16)
6. Hexagon bar wrench
7. User's Guide

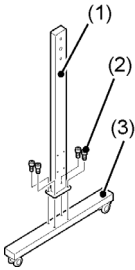


NOTE A power cable in compliance with the regional power specification is contained in the accessories.

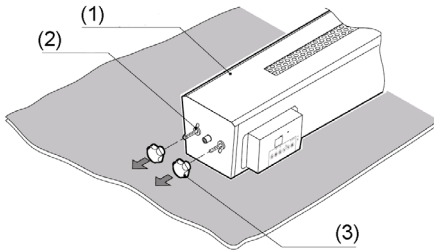
Assembly procedure

1. Put a cardboard or some other protective sheet on the floor in order to protect the surface of the dryer parts.

- Secure a foot (3) to each stand (1) with the hexagon socket head bolts (2).

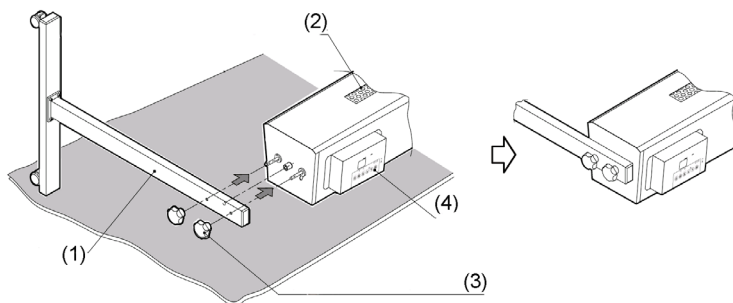


- Place the dryer unit (1) on the protective sheet with its air outlet face up.
- Remove knobs (3) (two at each side) from both ends of the dryer unit (1).



NOTE Do not remove the washers (2) from the dryer (1).

5. Secure the stands (1) to the dryer unit (2) with the knobs (3) (two at each side) as shown below.

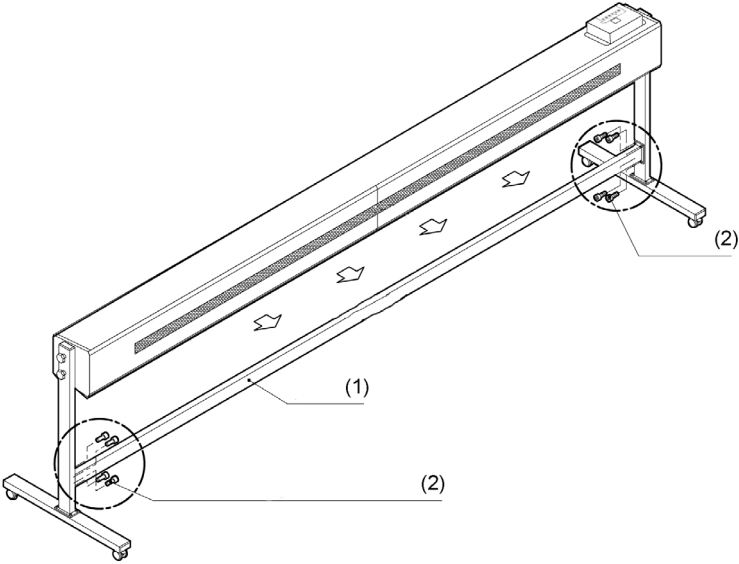


NOTE Attach the stands in such a way that the operation panel (4) on the dryer unit will be face up when the dryer is raised into its standing position.

Attach the stands in such a way that the holes in the stands face inwards; they will be used to attach the support stay.

6. When the stands are attached to the dryer unit, lift the whole dryer into the upright position, standing on its feet.

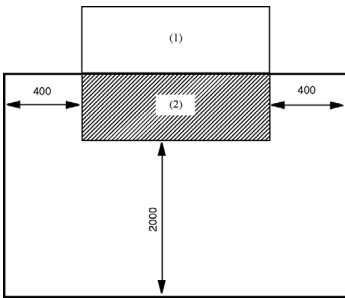
7. Secure the support stay (1) with four hexagon socket head bolts (2) at each side of the dryer unit. Check that all screws are tightly fastened.



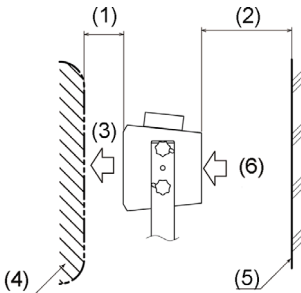
3 How to install the dryer

Installation space

The following diagram shows the printer (1), the dryer (2), and the free space that should be left around the dryer in millimeters. The height of the dryer is 870 mm.



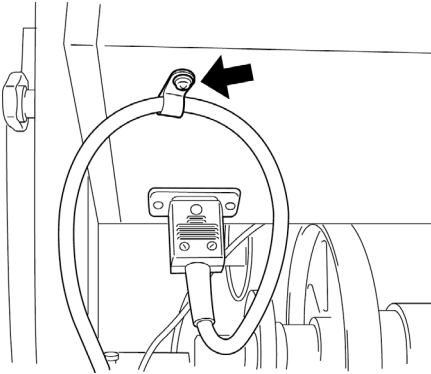
The dryer should be positioned at least 50 mm (1) from the paper emerging from the printer (4), with the air inlet (6) and outlet (3) positioned as shown below. The air inlet (6) should also be at least 300 mm (2) from any obstruction (5). Lock the castors after installing the dryer.



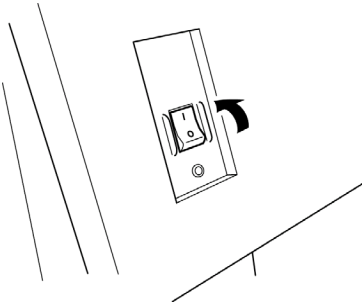
Power connection

1. After installing the dryer, connect the power cable to the dryer's power socket.

2. Open the power cable clamp, pass the power cable through the clamp, close the clamp, and then clamp the cable. This prevents accidental unplugging.

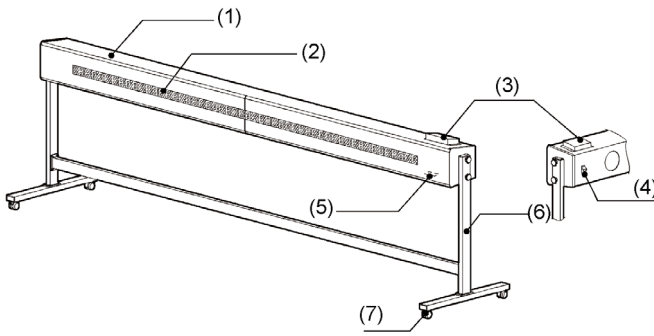


3. Confirm that the dryer's main power switch is off (O), then connect the other end of the power cable to a suitable power outlet (see [Specifications](#) for details).
4. Turn on the dryer's main power switch.



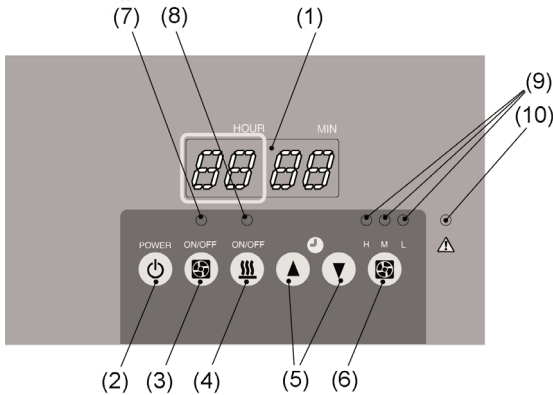
4 Dryer components

Main external components



1. Dryer unit
2. Warm air outlet
3. Operation panel
4. Power switch
5. AC inlet
6. Stand
7. Castor

Operation panel components



1. Display panel:
 - Indicates the remaining time on the timer.
 - Press Timer buttons (5) up or down to set the timer (from the minimum one hour to maximum 24 hours).
2. Power button:
 - Turns the dryer on or off.
 - If the Power button is turned off while the heater is operating, the fan continues to operate for three more minutes before the dryer eventually turns off.
3. Fan button: When switched on, air is blown out of the dryer.
4. Heater button: When switched on, warm air is blown out of the dryer.
5. Timer button:
 - Sets the timer.
 - Operation up to 24 hours can be set (the remaining time is indicated on the display panel).
 - The default value at the first power on is 10 hours.
6. Air Flow button:
 - Changes air flow of the fan and heater.
 - The air flow can be changed to High (H), Medium (M) or Low (L).
 - The default value at the first power on is High (H).
7. Fan lamp: This is lit while the fan is operating.
8. Heater lamp: This is lit while the heater is on.

9. Air flow lamp indicates the air flow from the fan at three levels: High (H), Medium (M) and Low (L).
10. Heater Error lamp: This is lit when the temperature of the top cover is too high.



CAUTION When the Heater Error lamp comes on, press the heater button to stop warm air operation, and blow air at the maximum flow level (H) for 10 minutes to cool the inside of the dryer. After the dryer cools down, turn off the dryer using the main power switch, then contact our service center.

Do not touch the dryer soon after turning it off as the dryer will still be hot.

5 How to use the dryer

Basic operating procedure

1. Press the Power button (2) to switch on the dryer (the operation panel and air flow lamp come on).
2. Press the Heater button (4) to set the operation mode (the Fan lamp (7) and the Heater lamp (8) will come on).
 - If the Fan button (3) has been pressed before the Heater button (4), you will not be able to turn on the heater by pressing the Heater button (4). You must press the Fan button (3) again (so the Fan lamp (7) goes off) and then press the Heater button (4) so that hot air operation starts (both the Fan lamp (7) and the Heater lamp (8) should come on).
 - Warm air operation can be restarted by pressing the Heater button (4) while the fan is turning for three minutes after the heater has been switched off.
3. The timer is used to set the operation time of the dryer. It can be set to a time of up to 24 hours.
 - The default setting of the timer is 10 hours.
 - You cannot change the time on the timer during the three minute cooling-off period.



NOTE When the remaining time on the timer reaches 0, warm air from the fan will stop. The fan will continue to operate for an additional three minutes in order to cool the dryer after the warm air stops.

4. Press the Air Flow button (6) to adjust the air flow of the fan.
5. Press the Heater button (4) to stop warm air operation. The fan will operate for an additional three minutes after warm air stops.
6. Turn off the main power switch to terminate operation.



NOTE The fan will continue to operate for an additional three minutes even when the Power button (2) has been pressed without first switching off the heater (using the Heater button (4)).



CAUTION Do not sit on the dryer or lean heavily on it. It is not strong enough to support your weight.

Do not turn off the main power switch until the fan has finished its three-minute cooling-off period after the heater stops. When the main power switch is turned off, the fan stops turning, resulting in an increase in internal temperatures due to the remaining heat of the heater. This may damage the dryer. In addition heated surface may cause burns. If the main power switch is accidentally turned off, or the power cable pulled out, turn on the power again and run the fan with the air flow set to high for at least five minutes to cool down the dryer.

If the power cable is accidentally disconnected, do not touch the dryer, which will still be hot.

The ink does not dry immediately. Take care that freshly-printed paper does not touch anything.

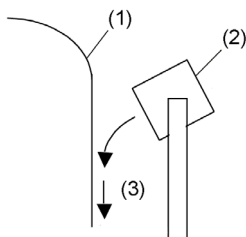
The printed paper may be damaged if the dryer is too close to it. Make sure the dryer is at least 50 mm from the paper.

If the dryer's air inlet becomes clogged with dust, the internal temperature will rise, which may cause a failure. Clean the air inlet at regular intervals.

Efficient use of the dryer

Direction of warm air

Set the body of the dryer pointing slightly downward as shown below. Drying efficiency increases with warm air blowing along the surface of the paper.



1. Paper
2. Dryer
3. Warm air

Airflow setting

Air flow can be set to one of three levels. The dryer uses a constant conduction heater, and accordingly temperature drops as air flow increases, or rises as air flow decreases. To improve the drying efficiency, high air flow (H) is recommended during warm air operation.

When room temperature is low

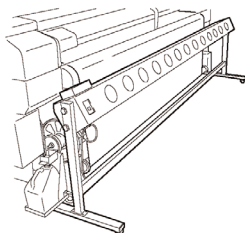
Always turn on the heater to keep air from the dryer at room temperature +10 to 20 °C. Raising the temperature to a certain level is required to dry the printed paper. Room temperature should be kept at 20 °C or more to increase drying efficiency.

Paper setting with or without the take-up-reel unit

Paper settings with or without the take-up-reel unit are shown below.

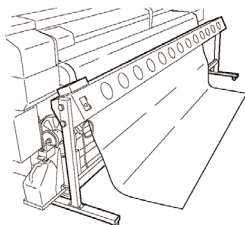
- **With take-up-reel unit:**

Determine the location relative to the dryer as shown in the figure below.



- **Without take-up-reel unit:**

Pull out the paper through the legs of the dryer as shown in the figure below.



NOTE Avoid pulling out the paper too much as the printed surface may touch the dryer.

6 Maintenance and cleaning

Maintenance

The dryer should be inspected periodically for defects. If defects are found, they can be repaired by on-site service or, if necessary, at a service center.

Cleaning

If the surface of the dryer becomes extremely dirty, you can wipe it with a soft cloth dipped in water and neutral detergent and squeezed tightly.



CAUTION Turn off the dryer's power switch before cleaning.

Do not use thinner, benzene, or other non-volatile solvents for cleaning the dryer: they may cause the dryer's surface coating to peel or discolor.

7 Specifications

Item	Specification
Dimensions	3310 (W) x 610 (D) x 870 (H) mm
Weight	60 kg or less
Color	Carbonite Black
Maximum paper width	2600 mm
Heater type	Sheathed heater
Warm-up time	10 minutes or less
Paper path	Winding or straight output
Warm air temperature	Ambient temperature + 10°C or more
Fan flow control	Three levels: High, Medium or Low
Timer	Range: 1 to 24 hours (unit: 1 hour) (Error: ± 1%/h)
Acquired regulations and standards	EN55022 Class A FCC Part 15B Class A VCCI Class A CSA CE
Power consumption	3300 W or less
Input power voltage	180 to 253 VAC
Input power frequency	50/60 Hz ± 1 Hz
Instantaneous power failure	20 msec. or more

Item	Specification
Inrush current	35 A or less
Grounding	D class grounding (The 3rd class grounding)
Operating temperature and humidity range	Temperature: 15 to 30°C Humidity: 30 to 70%RH (no condensation)
Storage temperature and humidity range	Temperature: 5 to 35°C Humidity: 10 to 80%RH (no condensation)
Dust level	Equivalent to office environments.
Ventilation	Ventilation facilities are recommended for deodorization.
Installation space	Outlet: 50 mm or more
	Inlet: 300 mm or more

8 Legal information

Limited Warranty—HP Designjet High Speed Dryer 104in

HP product	Limited Warranty Period
Hardware product	1 year from the date of hardware's purchase by the customer

A. Extent of HP Limited Warranty

1. This Hewlett-Packard (HP) Limited Warranty gives you, the end-customer, express limited warranty rights from HP. In addition, you may also have other legal rights under the applicable local law or special written agreement with HP.
2. HP warrants to you that the HP products specified above will be free from defects in materials and workmanship during the Limited Warranty Period specified above. The Limited Warranty Period starts on the date of purchase. Your dated sales or delivery receipt, showing the date of purchase of the product, is your proof of purchase date. You may be required to provide proof of purchase as a condition of receiving warranty service. You are entitled to warranty service according to the terms and conditions of this document if a repair or replacement of your HP Products is required within the Limited Warranty Period.
3. For software products, HP's Limited Warranty applies only to a failure to execute programming instructions. HP does not warrant that the operation of any product will be uninterrupted or error free.
4. HP's Limited Warranty covers only those defects that arise as a result of normal use of the HP products as defined in the user's guide, and does not apply to any:
 - a. Improper or inadequate maintenance;
 - b. Interfacing or parts not provided or supported by HP; or
 - c. Operation outside the product's specifications.

Routine maintenance operations in the HP Designjet High Speed Dryer 104in, such as cleaning and preventive maintenance services (including parts contained in any preventive maintenance kit and HP service engineer visits), are not covered by HP's Limited Warranty.

5. Your exclusive remedies for defective HP products are the following:
 - a. During the Limited Warranty Period, HP will replace any defective HP consumable product that is covered by this Limited Warranty, and deliver another product to you to replace the defective one.
 - b. During the Limited Warranty Period, HP, at its sole discretion, shall either repair on site or replace any defective hardware product or component part. If HP elects to replace any component part, HP will provide to you (i) a replacement part, in return for the defective one, and (ii) remote part installation assistance, if needed.
 - c. In the unlikely event that HP is unable to repair or replace, as applicable, a defective product that is covered by this Limited Warranty, HP shall, within a reasonable time after being notified of the defect, refund the purchase price for the product.
6. HP shall have no obligation to replace or refund until you return the defective hardware product or component part to HP. All components, parts, or hardware products removed under this Limited Warranty become the property of HP. Notwithstanding the above mentioned, HP may waive the requirement for you to return the defective part.
7. Unless otherwise stated, and to the extent permitted by local law, HP products may be manufactured using new materials or new and used materials equivalent to new in performance and reliability. HP may repair or replace products (i) with equivalent products to the products being repaired or replaced but which may have been subject to prior use; or (ii) with an equivalent product to an original product that has been discontinued.
8. THIS LIMITED WARRANTY IS APPLICABLE IN ALL COUNTRIES AND MAY BE ENFORCED IN ANY COUNTRY WHERE HP OR ITS AUTHORIZED SERVICE PROVIDERS OFFER WARRANTY SERVICE AND HP HAS MARKETED THIS PRODUCT, SUBJECT TO THE TERMS AND CONDITIONS SET FORTH IN THIS LIMITED WARRANTY. HOWEVER, WARRANTY SERVICE AVAILABILITY AND RESPONSE TIME MAY VARY FROM COUNTRY TO COUNTRY. HP WILL NOT ALTER FORM, FIT, OR FUNCTION OF THE PRODUCT TO MAKE IT OPERATE IN A COUNTRY FOR WHICH IT WAS NEVER INTENDED TO FUNCTION FOR LEGAL OR REGULATORY REASONS.
9. Contracts for additional services may be available for any authorized HP service facility where the listed HP product is distributed by HP or an authorized importer.
10. TO THE EXTENT ALLOWED BY LOCAL LAW, EXCEPT AS EXPRESSLY SET FORTH IN THIS LIMITED WARRANTY NEITHER HP NOR ITS THIRD PARTY SUPPLIERS MAKE ANY OTHER WARRANTY OR CONDITION OF ANY KIND, WHETHER EXPRESS OR IMPLIED, WITH RESPECT TO THE HP PRODUCTS, AND SPECIFICALLY DISCLAIM THE IMPLIED WARRANTIES OR CONDITIONS OF MERCHANTABILITY, SATISFACTORY QUALITY, AND FITNESS FOR A PARTICULAR PURPOSE.

B. Limitations of liability

TO THE EXTENT ALLOWED BY LOCAL LAW, EXCEPT FOR THE OBLIGATIONS SPECIFICALLY SET FORTH IN THIS LIMITED WARRANTY, IN NO EVENT SHALL HP OR ITS THIRD PARTY SUPPLIERS BE LIABLE FOR DIRECT, INDIRECT, SPECIAL, INCIDENTAL, OR CONSEQUENTIAL DAMAGES (INCLUDING ANY LOSS OF PROFITS OR SAVINGS), WHETHER BASED ON CONTRACT, TORT, OR ANY OTHER LEGAL THEORY AND WHETHER ADVISED OF THE POSSIBILITY OF SUCH DAMAGES.

C. Local law

1. This Limited Warranty gives you specific legal rights. You may also have other rights which vary from state to state in the United States, from province to province in Canada, and from country to country elsewhere in the world. You are advised to consult applicable state, province, or national laws for full determination of your rights.
2. To the extent that this Warranty Statement is inconsistent with local law, this Warranty Statement shall be deemed modified to be consistent with such local law. THE WARRANTY TERMS CONTAINED IN THIS LIMITED WARRANTY, EXCEPT TO THE EXTENT LAWFULLY PERMITTED, DO NOT EXCLUDE, RESTRICT, OR MODIFY AND ARE IN ADDITION TO THE MANDATORY STATUTORY RIGHTS APPLICABLE TO THE SALE OF THIS PRODUCT TO YOU.

Revision: July 21st, 2006

Regulatory notices

Regulatory Model Number

For regulatory identification purposes, HP has assigned a Regulatory Model Number (RMN). The Regulatory Model Number for your product is as follows:

RMN	Product family
BCLAA-0607	HP Designjet High Speed Dryer 104in

The Regulatory Model Number (RMN) should not be confused with the marketing name (HP Designjet High Speed Dryer 104in) or product number.

Regulatory statements

Europe



WARNING! This is a class A product. In a domestic environment this product may cause radio interference, in which case the user may be required to take adequate measures.

USA

Electro-Magnetic Compatibility (EMC)

FCC statements (U.S.A.)

The U.S. Federal Communications Commission (in 47 cfr15.105) has specified that the following notices be brought to the attention of users of this product.

Shielded cables

Use of shielded data cables is required to comply with the Class A limits of Part 15 of the FCC Rules.



CAUTION Pursuant to Part 15.21 of the FCC Rules, any changes or modifications to this equipment not expressly approved by the Hewlett-Packard Company may cause harmful interference and void the FCC authorization to operate this equipment.

This equipment has been tested and found to comply with the limits for a Class A digital device, pursuant to part 15 of the FCC Rules. These limits are designed to provide reasonable protection against harmful interference in a commercial environment. This equipment generates, uses, and can radiate radio frequency energy and, if not installed and used in accordance with the instructions, may cause harmful interference to radio communications. Operation of this equipment in a residential area is likely to cause harmful interference, in which case users will be required to correct the interference at their own expense.

Canada

Normes de sécurité (Canada)

Le présent appareil numérique n'émet pas de bruits radioélectriques dépassant les limites applicables aux appareils numériques de Classe A prescrites dans le règlement sur le brouillage radioélectrique édicté par le Ministère des Communications du Canada.

DOC statement (Canada)

This digital apparatus does not exceed the Class A limits for radio noise emissions from digital apparatus set out in the Radio Interference Regulations of the Canadian Department of Communications.

Korea

Korean EMI statement

사용자 안내문 : A 급 기기

이 기기는 업무용으로 전자파적합등록을 받은 기기이오니, 판매자 또는 사용자는 이 점을 주의 하시기 바라며, 만약 잘못 구입 하셨을 때에는 구입한 곳에서 비업무용으로 교환 하시기 바랍니다.

Taiwan

Taiwanese EMI statement

警告使用者:這是甲類的資訊產品,在居住的環境中使用時,可能會造成射頻干擾,在這種情況下,使用者會被要求採取某些適當的對策。

China

Chinese EMI statement

此为A级产品,在生活环境中,该产品可能会造成无线电干扰。在这种情况下,可能需要用户对其干扰采取切实可行的措施。

Germany

Sound

Geräuschemission (Germany) LpA < 70 dB, am Arbeitsplatz, im Normalbetrieb, nach DIN45635 T. 19.

Address

Hewlett-Packard Company

Manager of Corporate Product Regulations

3000 Hanover Street

Palo Alto, CA 94304

650/857-1501

Declaration of Conformity

according to ISO/IEC Guide 22 and EN 45014

Supplier's name:	Hewlett-Packard Company
Supplier's address:	Avenida Graells, 501 08174 Sant Cugat del Vallès Barcelona, Spain

declares that the product

Regulatory Model Number ⁽²⁾ :	BCLAA-0607
Product family:	HP Designjet High Speed Dryer 104in
Product options:	All

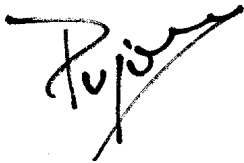
conforms to the following product specifications

Safety:	IEC 60950-1:2001 / EN 60950-1:2001
EMC:	CISPR 22:1997+A1:2000+A2:2002 / EN 55022:1998+A1:2000+A2:2003 Class A ⁽²⁾ EN 55024:1998+A1:2001+A2:2003 EN 61000-3-2:2000 / IEC 61000-3-3:2000 EN 61000-3-3:1995+A1:2001 / IEC 61000-3-3 / A1:2001 FCC Title 47 CFR, Part 15 Class A ^{(1) (2)}

Additional information

The product herewith complies with the requirements of the Low-Voltage Directive 73/23/EEC and the EMC Directive 89/336/EEC, and carries the CE marking accordingly.

1. This device complies with Part 15 of the FCC Rules. Operation is subject to the following two conditions:
 - This device may not cause harmful interference.
 - This device must accept any interference received, including interference that may cause undesired operation.
2. The product is assigned a Regulatory Model Number which stays with the regulatory aspect of the design. The Regulatory Model Number is the main product identifier in the regulatory documentation and test reports; this number should not be confused with the marketing name or the product numbers.



Josep-Maria Pujol

Hardware Quality Manager

Sant Cugat del Vallès (Barcelona)

July 21st, 2006

Local contacts for regulatory topics only

Contact in Europe: Hewlett-Packard GmbH, HQ-TRE, Herrenberger Strasse 140, 71034 Böblingen, Germany.

Contact in the USA: Hewlett-Packard Company, HPCC, 20555 S.H. 249 Houston, Texas 77070, USA.

Contact in Australia: Hewlett-Packard Australia Ltd, Product Regulations Manager, 31–41 Joseph Street, Blackburn, Victoria 3130, Australia.

Séchoir haute vitesse HP Designjet - 104 pouces

Manuel de l'utilisateur



Informations légales

Les informations contenues dans ce document peuvent être modifiées sans préavis.

Les seules garanties pour les produits et services HP sont décrits dans la déclaration de garantie expresse accompagnant ces mêmes produits et services. Les informations contenues dans ce document ne constituent en aucun cas une garantie supplémentaire. HP n'est pas responsable des erreurs d'ordre technique ou éditorial ou des omissions contenues dans ce document.

Sommaire

1 Présentation	
Mesures de sécurité	1
Avertissements	1
Attention :	2
Précautions à prendre en compte lors de la manipulation	3
Alimentation électrique	3
Séchoir	3
2 Procédure d'assemblage du séchoir	
Avant l'assemblage	5
Procédure d'assemblage	5
3 Procédure d'installation du séchoir	
Espace d'installation	9
Connexion du câble d'alimentation	9
4 Composants du séchoir	
Principaux composants externes	11
Composants du panneau de commande	12
5 Mode d'emploi du séchoir	
Fonctionnement de base	15
Utilisation optimale du séchoir	16
Direction de l'air chaud	16
Réglage du flux d'air	17
Lorsque la température de la pièce est basse	17
Réglage du papier avec ou sans enrouleur	17
6 Maintenance et nettoyage	
Maintenance	19
Nettoyage	19
7 Spécifications	
8 Informations légales	
Garantie limitée—Séchoir haute vitesse HP Designjet - 104 pouces	23
A. Extension de la garantie HP	23

B. Limitations de responsabilité	24
C. Législation locale	25
Regulatory notices	26
Regulatory Model Number	26
Regulatory statements	26
Europe	26
USA	26
Electro-Magnetic Compatibility (EMC)	26
FCC statements (U.S.A.)	26
Shielded cables	26
Canada	27
Normes de sécurité (Canada)	27
DOC statement (Canada)	27
Korea	27
Korean EMI statement	27
Taiwan	27
Taiwanese EMI statement	27
China	27
Chinese EMI statement	27
Germany	28
Sound	28
Address	28
Declaration of Conformity	28
declares that the product	28
conforms to the following product specifications	28
Additional information	29
Local contacts for regulatory topics only	29

1 Présentation

Merci d'avoir acheté ce séchoir haute vitesse HP Designjet - 104 pouces (ci-après le "séchoir").

Le séchoir est placé au niveau de la sortie de l'imprimante pour sécher de façon efficace l'encre imprimée sur le papier.

Il permet d'optimiser les capacités d'impression à haute vitesse.

Caractéristiques du séchoir :

- **Séchage rapide pour optimiser l'impression à haute vitesse**

Sèche le papier en projetant un flux d'air chaud sur la sortie papier de l'imprimante, c'est-à-dire la trajectoire du support de l'imprimante vers l'unité d'enroulage.

- **Minuterie jusqu'à 24 heures**

Permet de définir un temps de séchage à l'aide d'une minuterie de 24 heures par incréments d'une heure pour économiser l'énergie et obtenir une qualité de séchage optimale.



Remarque Le séchoir sèche le papier mais le séchage de l'encre imprimée sur le papier nécessite plus de temps. Si des opérations telles que la lamination sont nécessaires après l'impression, il est recommandé de ne pas les effectuer lorsque le papier sort de l'imprimante. Certains types de papier ne séchent pas complètement, même avec le séchoir. Dans ce cas, définissez un délai d'attente de numérisation sur le panneau de commande de l'imprimante.

Mesures de sécurité

Avertissements

Le fait de ne pas suivre ces instructions peut entraîner des blessures grave ou un décès.

- Utilisez la tension d'alimentation indiquée sur la plaque signalétique. Toute autre tension présente un risque d'incendie ou de décharge électrique.
- Lors de l'utilisation du séchoir, des composants organiques volatiles présents dans les encres sont dispersés dans la zone de travail. Installez et utilisez l'appareil dans un endroit correctement aéré. Dans certains cas, il peut être nécessaire d'installer une hotte d'extraction près du séchoir afin d'évacuer les émanations d'encre de la zone de travail.
- Ne surchargez pas la prise électrique de l'imprimante avec d'autres périphériques.
- Assurez-vous que le séchoir est relié à la terre pour éviter tout risque d'incendie ou de décharge électrique.

- Ne désassemblez pas ou ne modifiez pas l'installation du séchoir. Ne réparez pas le séchoir vous-même. Ceci pourrait entraîner un incendie, une décharge électrique ou d'autres accidents.
- Veillez à ne pas endommager, couper, traiter ou chauffer le câble d'alimentation. L'utilisation d'un câble d'alimentation endommagé pourrait entraîner un incendie ou une décharge électrique.
- Ne retirez pas les éléments de coque fixés sur le séchoir car ils comprennent des pièces sous haute tension et extrêmement chaudes. Ceci pourrait entraîner une décharge électrique ou des brûlures.
- N'utilisez jamais le séchoir dans un endroit très humide ou sujet à des projections de liquides. L'infiltration d'un liquide dans le séchoir pourrait entraîner un incendie, une décharge électrique ou d'autres accidents.
- Ne retirez pas les éléments de coque fixés sur le séchoir car l'appareil contient des pièces sous haute tension et extrêmement chaudes. Ceci pourrait entraîner une décharge électrique ou des brûlures.
- Evitez tout contact entre une pièce de métal ou un liquide et les composants internes du séchoir car ceci pourrait entraîner un incendie, une décharge électrique ou d'autres accidents.
- Veillez à ne pas débrancher ou brancher le câble d'alimentation avec les mains humides. Vos vous exposeriez à un risque de choc électrique.
- Eteignez le séchoir et débranchez le cordon d'alimentation de la prise d'alimentation dans les cas suivants :
 - Lorsque vous devez mettre les mains à l'intérieur du séchoir.
 - Si de la fumée ou une odeur inhabituelle s'échappe du séchoir.
 - Si un bruit inhabituel provient du séchoir, en dehors du bruit d'une opération normale.
 - Si une pièce de métal ou un liquide (ne faisant pas partie des routines de nettoyage et de maintenance) touche des composants internes du séchoir.
 - Si un code d'erreur s'affiche sur le panneau avant, nécessitant l'intervention d'un ingénieur de service.
 - Lors d'un orage (tonnerre/éclairs).
 - Lors d'une coupure de courant.

Attention :

Le fait de ne pas suivre ces instructions peut entraîner des blessures ou endommager le produit.

- Manipulez le séchoir avec précaution en raison de son poids élevé. Toute chute du séchoir risque d'entraîner des blessures.
- Saisissez le câble d'alimentation par la fiche pour le brancher ou le débrancher. A défaut de procéder ainsi, vous risqueriez d'effilocheur ou de couper le câble, ce qui pourrait entraîner une décharge électrique et/ou un incendie.
- Installez le séchoir sur une surface parfaitement plane. Toute chute du séchoir risque d'entraîner des blessures.
- Le séchoir devient très chaud. Veillez à ne pas toucher les parties chaudes de l'appareil pour éviter les blessures.

Précautions à prendre en compte lors de la manipulation

Alimentation électrique

- Installez le séchoir près d'une prise d'alimentation facile d'accès.
- Veillez à ne pas raccorder le séchoir à une source d'alimentation sur laquelle est branché un moteur ou un autre équipement générant du bruit.
- Le séchoir utilise un courant alternatif monophasé de 180 à 253 V, 50/60 Hz. Vérifiez que la prise électrique respecte les spécifications de tension et d'alimentation du séchoir. Voir [Spécifications](#) pour plus de détails.
- Ne surchargez pas la prise électrique avec d'autres périphériques. Le séchoir doit être relié à une seule prise d'alimentation.

Séchoir

- Veillez à ne pas vous appuyer contre le séchoir et à ne rien poser dessus.
- Ne nettoyez pas la coque avec du benzène ou du diluant. Ceci pourrait entraîner le décollement ou la décoloration du revêtement.

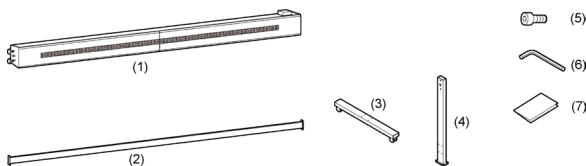
Nettoyez délicatement la surface de la coque à l'aide d'un chiffon doux. Si la coque est sale, nettoyez la surface à l'aide d'un chiffon humide imprégné d'un détergent neutre mélangé à de l'eau, en prenant soin de bien rincer.

2 Procédure d'assemblage du séchoir

Lisez attentivement les instructions fournies afin d'assembler correctement le séchoir.

Avant l'assemblage

Le séchoir est livré avec les accessoires présentés ci-dessous. Vérifiez que vous disposez de tous ces composants avant de les assembler.



1. Unité de séchage
2. Barre de support
3. Pied à roulette (2)
4. Support (2)
5. Ecrous hexagonaux M5×12L (16)
6. Clé hexagonale allen
7. Guide de l'utilisateur

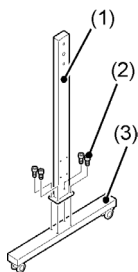


Remarque Un câble d'alimentation conforme aux normes d'alimentation en vigueur est compris dans les accessoires fournis.

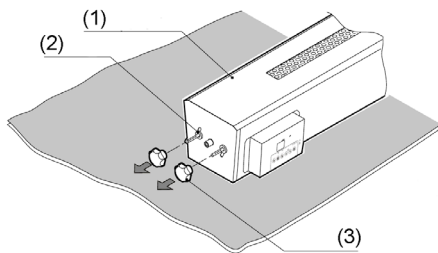
Procédure d'assemblage

1. Placez un carton ou toute autre élément de protection sur le sol pour ne pas endommager les composants du séchoir.

- Fixez un pied (3) sur chaque support (1) à l'aide des écrous hexagonaux (2).

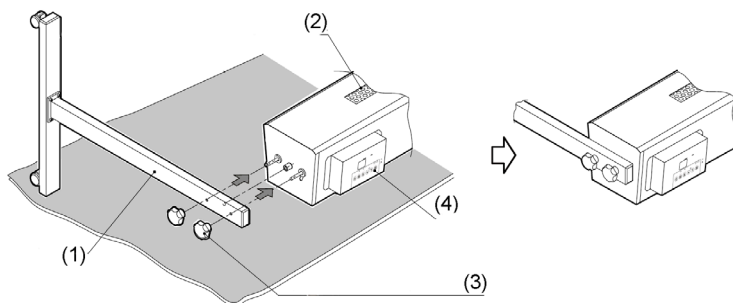


- Placez l'unité de séchage (1) sur l'élément de protection en orientant la prise d'air vers le haut.
- Retirez les molettes (3) (deux de chaque côté) des deux côtés de l'unité de séchage (1).



Remarque N'enlevez pas les rondelles (2) du séchoir (1).

5. Fixez les supports (1) sur l'unité de séchage (2) à l'aide des molettes (6) (deux de chaque côté) comme indiqué ci-dessous.

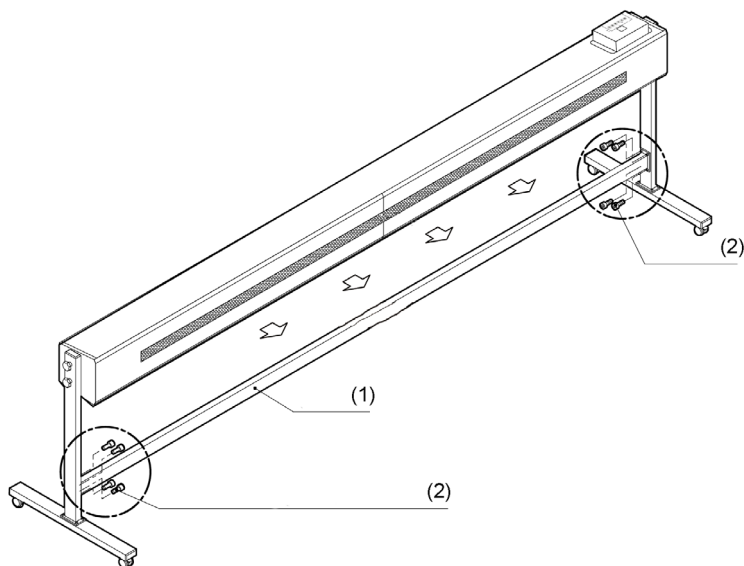


Remarque Fixez les supports de sorte que le panneau de commande (4) de l'unité de séchage soit orienté vers le haut lorsque le séchoir est positionné debout.

Fixez les supports en orientant les trous vers l'intérieur afin de pouvoir fixer la barre de support.

6. Lorsque les supports sont fixés sur l'unité de séchage, soulevez le séchoir pour le positionner sur ses pieds.

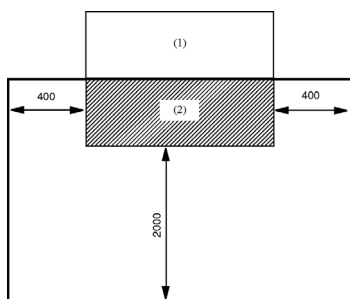
7. Fixez la barre de support (1) en vissant quatre écrous hexagonaux (2) de chaque côté de l'unité de séchage. Vérifiez que tous les écrous sont suffisamment serrés.



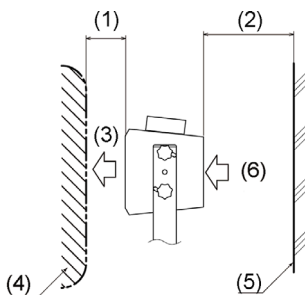
3 Procédure d'installation du séchoir

Espace d'installation

Le diagramme suivant montre l'imprimante (1), le séchoir (2) et l'espace en millimètres qui doit être laissé libre autour du séchoir. La hauteur du séchoir est de 870 mm.



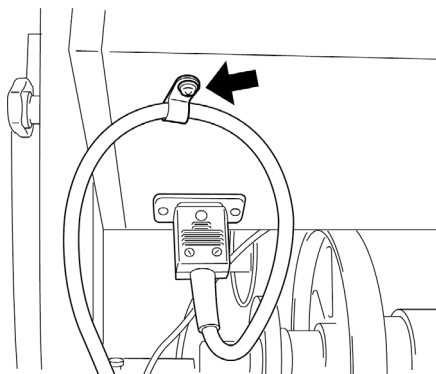
Le séchoir doit être positionné à au moins 50 mm (1) de la sortie papier de l'imprimante (4), et la prise d'air (6) et la sortie d'air (3) doivent être positionnées comme indiqué ci-dessous. La prise d'air (6) doit par ailleurs se situer à au moins 300 mm (2) de tout obstacle (5). Bloquez les roulettes une fois le séchoir installé.



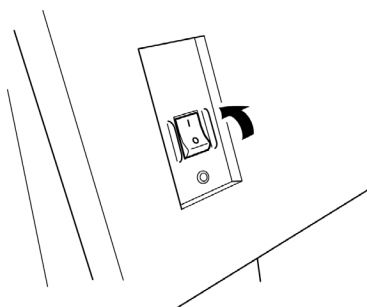
Connexion du câble d'alimentation

1. Une fois le séchoir installé, connectez le câble d'alimentation à la prise d'alimentation du séchoir.

2. Désérrez le collier de fixation du câble d'alimentation, insérez le câble d'alimentation dans le collier, resserrez le collier, puis fixez le câble. Cette opération évite tout débranchement accidentel.

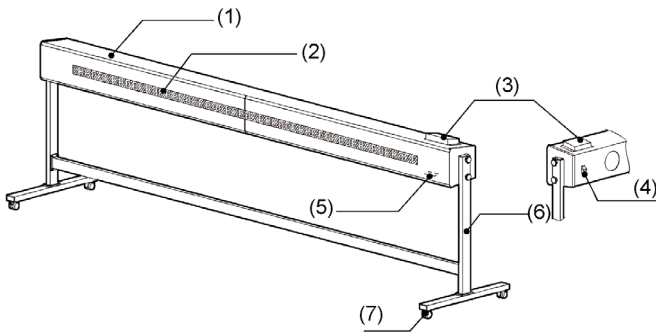


3. Vérifiez que l'interrupteur d'alimentation principal du séchoir est en position O (hors tension), puis connectez l'autre extrémité du câble d'alimentation à une prise de courant compatible (reportez-vous à la section [Spécifications](#) pour plus d'informations).
4. Appuyez sur l'interrupteur d'alimentation principal pour mettre le séchoir sous tension.



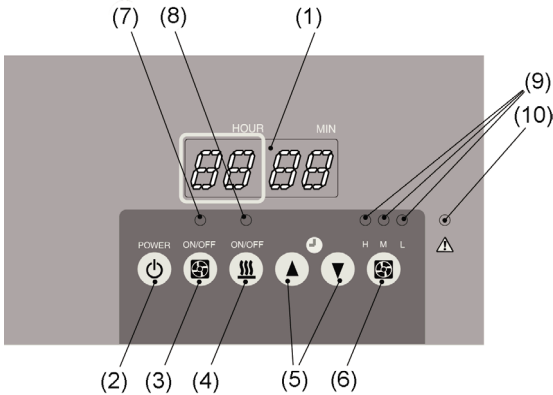
4 Composants du séchoir

Principaux composants externes



1. Unité de séchage
2. Sortie d'air chaud
3. Panneau de commande
4. Interrupteur d'alimentation
5. Alimentation CA
6. Support
7. Roulette

Composants du panneau de commande



1. Ecran d'affichage :

- Indique le temps de fonctionnement restant.
- Appuyez sur les boutons de réglage de la minuterie (5) pour définir le temps de fonctionnement (entre une heure au minimum et 24 heures au maximum).

2. Bouton marche/arrêt :

- Met en marche et arrête le séchoir.
- Lorsque vous arrêtez le séchoir à l'aide de ce bouton alors que le radiateur fonctionne, le ventilateur continue à fonctionner pendant encore trois minutes avant l'arrêt effectif du séchoir.

3. Bouton du ventilateur : Lorsque vous activez le ventilateur, le séchoir propulse de l'air.

4. Bouton du radiateur : Lorsque vous activez le radiateur, le séchoir souffle de l'air chaud.

5. Bouton de réglage de la minuterie :

- Permet de régler la minuterie.
- Le temps de fonctionnement maximum qui peut être défini est de 24 heures (le temps restant est indiqué sur l'écran d'affichage).
- La valeur par défaut lors de la première utilisation est de 10 heures.

6. Bouton du flux d'air :

- Modifie le flux d'air du ventilateur et du radiateur.
- Le flux d'air peut être fort (H), moyen (M) ou faible (L).
- La valeur par défaut lors de la première utilisation est H (fort).

7. Voyant du ventilateur : Ce voyant est allumé lorsque le ventilateur fonctionne.

8. Voyant du radiateur : Ce voyant est allumé lorsque le radiateur fonctionne.
9. Le voyant de flux d'air allumé vous indique le niveau du flux d'air du ventilateur : fort (H), moyen (M) ou faible (L).
10. Voyant d'erreur du radiateur : Ce voyant s'allume lorsque la température de la coque supérieure est trop élevée.



ATTENTION Si le voyant d'erreur du radiateur s'allume, appuyez sur le bouton du radiateur pour arrêter l'envoi d'air chaud et maintenez un flux d'air maximum (H) pendant 10 minutes pour refroidir l'intérieur du séchoir. Une fois la température du séchoir abaissée, mettez-le hors tension à l'aide de l'interrupteur d'alimentation principal, puis contactez notre centre de réparation.

Ne touchez pas au séchoir peu après l'avoir mis hors tension car il sera encore chaud.

5 Mode d'emploi du séchoir

Fonctionnement de base

1. Appuyez sur le bouton marche/arrêt (2) pour mettre en marche le séchoir (le panneau de commande et le voyant du flux d'air sont activés).
2. Appuyez sur le bouton du radiateur (4) pour définir le mode de fonctionnement (le voyant du ventilateur (7) et le voyant du radiateur (8) s'allument).
 - Si vous commencez par appuyer sur le bouton du ventilateur (3), vous ne pouvez pas ensuite mettre en marche le radiateur en appuyant sur le bouton du radiateur (4). Vous devez appuyer à nouveau sur le bouton du ventilateur (3) (afin d'éteindre le voyant du ventilateur (7)), puis appuyer sur le bouton du radiateur (4) de façon à activer l'envoi d'air chaud (le voyant du ventilateur (7) et celui du radiateur (8) doivent s'allumer).
 - L'envoi d'air chaud peut être réactivé à l'aide du bouton du radiateur (4) pendant les trois minutes que le ventilateur tourne une fois que le radiateur a été arrêté.
3. La minuterie permet de définir la durée de fonctionnement du séchoir. Le durée maximum est de 24 heures.
 - Le réglage par défaut de la minuterie est de 10 heures.
 - Vous ne pouvez pas modifier le réglage de la minuterie pendant la période de refroidissement de trois minutes.



Remarque Lorsque le temps de fonctionnement restant atteint 0, l'envoi d'air chaud s'arrête. Le ventilateur continue à fonctionner pendant encore trois minutes pour refroidir le séchoir une fois l'air chaud stoppé.

4. Appuyez sur le bouton du flux d'air (6) pour régler le flux d'air du ventilateur.
5. Appuyez sur le bouton du radiateur (4) pour arrêter l'envoi d'air chaud. Le ventilateur continue à fonctionner pendant encore trois minutes une fois l'air chaud stoppé.
6. Utilisez l'interrupteur d'alimentation principal pour éteindre le séchoir.



Remarque Le ventilateur continue à fonctionner pendant encore trois minutes également lorsque vous appuyez sur le bouton marche/arrêt (2) sans avoir auparavant désactivé le radiateur (à l'aide du bouton du radiateur (4)).



ATTENTION Ne vous asseyez pas ou ne vous appuyez pas contre le séchoir. L'appareil est fragile et risque de ne pas supporter votre poids.

Laissez le ventilateur achever sa tâche de refroidissement de trois minutes après l'arrêt du radiateur avant d'utiliser l'interrupteur d'alimentation principal pour éteindre l'appareil. Lorsque vous éteignez l'appareil à l'aide de l'interrupteur d'alimentation principal, le ventilateur cesse de tourner, ce qui entraîne une augmentation des températures internes en raison de la chaleur résiduelle du radiateur. Cette situation peut endommager le séchoir. Par ailleurs, la surface très chaude de l'appareil peut causer des brûlures. Si l'interrupteur d'alimentation principal se retrouve accidentellement en position O, ou que le câble d'alimentation est débranché par mégarde, remettez l'appareil sous tension et faites fonctionner le ventilateur en utilisant le flux d'air maximum (H) pendant 10 minutes pour refroidir le séchoir.

Si le câble d'alimentation est accidentellement débranché, ne touchez pas le séchoir qui sera toujours chaud.

L'encre ne sèche pas immédiatement. Veillez à ce que le papier qui vient d'être imprimé ne touche aucune surface.

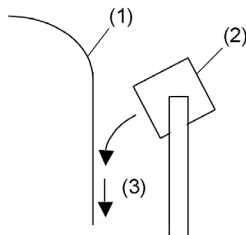
Le papier imprimé risque de s'abîmer s'il est éjecté trop près du séchoir. Vérifiez que le séchoir est placé à au moins 50 mm du papier.

Si la prise d'air du séchoir est obstruée par la poussière, la température interne du séchoir augmente et risque de provoquer une défaillance. Nettoyez régulièrement la prise d'air.

Utilisation optimale du séchoir

Direction de l'air chaud

Positionnez le séchoir en l'inclinant légèrement vers le bas comme indiqué ci-dessous. L'efficacité du séchage augmente lorsque l'air chaud est propulsé le long de la surface du papier.



1. Papier
2. Séchoir
3. Air chaud

Réglage du flux d'air

Trois niveaux de flux d'air sont disponibles. Le séchoir utilise un radiateur à conduction constante ; par conséquent, la température baisse lorsque le flux d'air augmente, et s'élève lorsque le flux d'air diminue. Pour améliorer l'efficacité du séchage, il est recommandé d'utiliser un flux d'air fort (H) lorsque le radiateur fonctionne.

Lorsque la température de la pièce est basse

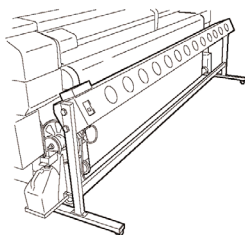
Veillez à toujours activer le radiateur pour maintenir le flux d'air du séchoir à la température ambiante +10 à 20 °C. L'élévation de la température à un certain niveau est nécessaire pour sécher le papier imprimé. Pour augmenter l'efficacité du séchage, la température de la pièce doit être maintenue à 20 °C au minimum.

Réglage du papier avec ou sans enrouleur

Les réglages du papier avec et sans enrouleur sont illustrés ci-dessous.

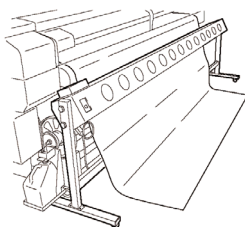
- **Avec un enrouleur :**

Déterminez la position par rapport au séchoir comme illustré ci-dessous.



- **Sans enrouleur :**

Tirez le papier entre les jambes du séchoir comme illustré ci-dessous.



Remarque Veillez à ne pas trop tirer le papier pour ne pas que la surface imprimée touche le séchoir.

6 Maintenance et nettoyage

Maintenance

Le séchoir doit être inspecté régulièrement pour identifier tout problème éventuel. Les problèmes qui surviennent peuvent être résolus sur site par le service de réparation ou, si nécessaire, dans un centre de réparation.

Nettoyage

Si la surface du séchoir est très sale, vous pouvez l'essuyer à l'aide d'un chiffon doux imprégné d'un détergent neutre, en prenant soin de bien le rincer.



ATTENTION Arrêtez le séchoir avant de le nettoyer.

N'utilisez aucun diluant, benzène ou autre solvant non volatil pour nettoyer le séchoir : ceci pourrait entraîner le décollement ou la décoloration du revêtement du séchoir.

7 Spécifications

Option	Spécification
Dimensions	3310 (L) x 610 (P) x 870 (H) mm
Poids	60 kg ou moins
Couleur	Noir carbone
Largeur maximale du papier	2.600 mm
Type de dispositif de chauffage	Dispositif de chauffage à gaine
Délai de préchauffage	10 minutes ou moins
Trajectoire du support	Sortie avec enroulage ou directe
Température de l'air chaud	Température ambiante + 10°C ou plus
Contrôle du flux d'air	Trois niveaux : fort (H), moyen (M) ou faible (L)
Minuterie	Plage : De 1 à 24 heures (unité : 1 heure) (Erreur : ± 1%/h)
Conformité aux normes et réglementations	EN55022 Catégorie A FCC Part 15B Catégorie A VCCI Catégorie A CSA CE
Consommation électrique	3300 W ou moins
Tension d'alimentation en entrée	180 à 253 VAC
Fréquence d'alimentation en entrée	50/60 Hz ±1 Hz
Panne d'alimentation instantanée	20 msec. ou plus

Option	Spécification
Courant d'appel	35 A ou moins
Mise à la terre	Mise à la terre de catégorie D (3ème catégorie)
Plage de température et taux d'humidité de fonctionnement	Température : De 15 à 30°C Humidité : De 30 à 70% HR (aucune condensation)
Plage de température et taux d'humidité de stockage	Température : De 5 à 35°C Humidité : De 10 à 80% HR (aucune condensation)
Niveau d'empoussièrement	Equivalent aux environnements de bureau
Ventilation	Des équipements de ventilation sont recommandés pour la désodorisation.
Espace d'installation	Sortie : 50 mm au minimum Entrée : 300 mm au minimum

8 Informations légales

Garantie limitée—Séchoir haute vitesse HP Designjet - 104 pouces

Produit HP	Période couverte par la garantie limitée
Matériel	1 an à compter de la date d'achat par le client du matériel

A. Extension de la garantie HP

1. Cette garantie HP (Hewlett-Packard) vous accorde, en tant que client final, les droits exprès relatifs à la garantie octroyés par HP. Par ailleurs, vous pouvez également bénéficier d'autres droits au titre du droit local applicable ou d'un accord spécial écrit avec HP.
2. HP vous garantit que les produits HP spécifiés ci-dessus seront exempts de vices matériels et de fabrication pendant la période couverte par la garantie limitée indiquée plus haut. La période couverte par la garantie limitée commence à la date de l'achat. Un accusé de réception ou ticket de caisse, qui indique la date d'achat du produit, constitue la preuve de la date d'achat. Une preuve d'achat peut vous être demandée pour pouvoir bénéficier des services fournis dans le cadre de la garantie. Vous pouvez bénéficier des services fournis dans le cadre de la garantie conformément aux termes et conditions du présent document si une réparation ou un remplacement de vos produits HP est requis au cours de la période couverte par la garantie limitée.
3. En ce qui concerne les logiciels, la garantie limitée HP garantit seulement qu'ils exécuteront les instructions du programme. HP ne garantit pas que les logiciels seront totalement exempts d'erreurs ou que leur fonctionnement ne sera jamais interrompu.
4. La garantie limitée HP ne couvre que les problèmes survenant au cours d'une utilisation normale des produits HP tels que définis dans le manuel de l'utilisateur et ne s'applique pas en cas de :
 - a. entretien ou modification inapproprié ;
 - b. interfaces ou pièces non fournies ou prises en charge par HP ; ou
 - c. exploitation en dehors des conditions spécifiées.

Les opérations d'entretien de routine du séchoir haute vitesse HP Designjet - 104 pouces, telles que le nettoyage et les services de maintenance préventive (y compris les composants contenus dans les kits de maintenance préventive et les visites de l'ingénieur de service HP) ne sont pas couvertes par la garantie limitée HP.

5. Vos recours exclusifs en cas de défaillance des produits HP sont les suivants :
 - a. Au cours de la période de garantie, HP remplacera tout consommable HP défectueux couvert par cette garantie, et vous livrera un autre produit pour remplacer ce produit défectueux.
 - b. Au cours de la période de garantie, HP, à son entière discrétion, effectuera des réparations sur site ou remplacera tout matériel ou composant défectueux. Si HP choisit de remplacer un composant, HP vous fournit (i) une pièce de remplacement, en retour de la pièce défectueuse, et (ii) une assistance à distance pour l'installation de la pièce, si nécessaire.
 - c. Au cas, très improbable, où HP ne serait pas en mesure de procéder, le cas échéant, à la réparation ou au remplacement d'un produit défectueux couvert par cette garantie, HP rembourserait son prix d'achat dans un délai raisonnable après avoir reçu notification du problème.
6. HP n'a aucune obligation de remplacer ni de rembourser le matériel, tant que vous n'avez pas renvoyé le matériel ou composant défectueux. L'ensemble des composants, pièces ou matériels supprimés au titre de cette garantie devient la propriété de HP. Nonobstant ce qui précède, HP peut renoncer à vous obliger à renvoyer la pièce défectueuse.
7. Sauf mention contraire et dans toute la mesure permise par la réglementation locale, les produits HP peuvent être fabriqués en utilisant des matériaux neufs, ou des matériaux neufs et utilisés, mais dont les performances et la fiabilité équivalent à des matériaux neufs. HP peut réparer ou remplacer les produits (i) par des produits équivalents aux produits réparés ou remplacés, mais qui peuvent avoir déjà été utilisés ; ou (ii) par un produit équivalent au produit d'origine dont la fabrication a été arrêtée.
8. CETTE GARANTIE EST APPLICABLE DANS TOUS LES PAYS ET PEUT ETRE MISE EN VIGUEUR DANS TOUT PAYS OU HP OU SES FOURNISSEURS DE SERVICES AGREES OFFRENT DES SERVICES DE GARANTIE ET HP A COMMERCIALISE CE PRODUIT, CONFORMEMENT AUX TERMES ET CONDITIONS ENONCES DANS CETTE GARANTIE. TOUTEFOIS, LA DISPONIBILITE DES SERVICES DE GARANTIE ET LE TEMPS DE REPONSE PEUVENT VARIER D'UN PAYS A L'AUTRE. HP NE MODIFIERA PAS LA FORME, LES REGLAGES NI LE FONCTIONNEMENT DU PRODUIT POUR QU'IL SOIT EXPLOITE DANS UN PAYS DANS LEQUEL IL N'A JAMAIS ETE CONCU POUR FONCTIONNER POUR DES RAISONS LEGALES OU REGLEMENTAIRES.
9. Des contrats prévoyant des services supplémentaires peuvent être obtenus auprès des centres de maintenance HP agréés là où le produit HP listé est distribué par HP ou un importateur agréé.
10. DANS LA LIMITE DES LEGISLATIONS LOCALES, SAUF STIPULATION CONTRAIRE DANS CETTE GARANTIE, NI HP NI SES FOURNISSEURS TIERS N'OFFRENT QUELQUE AUTRE RECOURS OU GARANTIE QUE CE SOIT, EXPRESSE OU IMPLICITE CONCERNANT LES PRODUITS HP, ET REJETTENT EXPRESSEMENT TOUTE GARANTIE IMPLICITE DE COMMERCIALISATION, D'ASSURANCE DE QUALITE ET D'ADAPTATION A UN USAGE PARTICULIER.

B. Limitations de responsabilité

DANS LA LIMITE DES LEGISLATIONS LOCALES, A L'EXCEPTION DES OBLIGATIONS EXPRESSEMENT ENONCEES DANS CETTE GARANTIE, HP ET SES FOURNISSEURS NE POURRONT ETRE TENUS RESPONSABLES DE QUELQUE DOMMAGE DIRECT, INDIRECT, SPECIAL, MINEUR OU CONSEQUENT (Y COMPRIS LES PERTES DE PROFITS), QUEL QUE SOIT LE LIEU D'OU EMANE LA RECLAMATION, QU'ELLE SOIT FONDEE SUR UN CONTRAT OU UN PREJUDICE SUBI, OU QUELLE QUE SOIT LA RAISON LEGALE INVOQUEE, MEME SI HP A ETE AVISE DU RISQUE DE CE DOMMAGE.

C. Législation locale

1. Cette garantie vous accorde des droits spécifiques. Il est également possible que vous ayez des droits supplémentaires, variables aux Etats-Unis d'un Etat à l'autre, au Canada d'une province à l'autre et dans le reste du monde d'un pays à l'autre. Vous êtes invité à consulter les lois applicables dans ces Etats, provinces ou pays pour avoir pleine connaissance de vos droits.
2. Si cette déclaration de garantie entre en conflit avec la législation locale en vigueur, elle est réputée modifiée pour se conformer à ladite législation. **HORMIS DANS LES LIMITES AUTORISEES PAR LA LOI, LES CONDITIONS DE GARANTIE CONTENUES DANS CETTE GARANTIE , N'EXCLUENT, NE RESTREIGNENT NI NE MODIFIENT LES DROITS STATUTAIRES OBLIGATOIRES APPLICABLES A LA VENTE DE CE PRODUIT A VOUS-MEME, MAIS VIENNENT S'Y AJOUTER.**

Révision : 21 juillet 2006

Regulatory notices

Regulatory Model Number

For regulatory identification purposes, HP has assigned a Regulatory Model Number (RMN). The Regulatory Model Number for your product is as follows:

RMN	Product family
BCLAA-0607	HP Designjet High Speed Dryer 104in

The Regulatory Model Number (RMN) should not be confused with the marketing name (HP Designjet High Speed Dryer 104in) or product number.

Regulatory statements

Europe



AVERTISSEMENT This is a class A product. In a domestic environment this product may cause radio interference, in which case the user may be required to take adequate measures.

USA

Electro-Magnetic Compatibility (EMC)

FCC statements (U.S.A.)

The U.S. Federal Communications Commission (in 47 cfr15.105) has specified that the following notices be brought to the attention of users of this product.

Shielded cables

Use of shielded data cables is required to comply with the Class A limits of Part 15 of the FCC Rules.



ATTENTION Pursuant to Part 15.21 of the FCC Rules, any changes or modifications to this equipment not expressly approved by the Hewlett-Packard Company may cause harmful interference and void the FCC authorization to operate this equipment.

This equipment has been tested and found to comply with the limits for a Class A digital device, pursuant to part 15 of the FCC Rules. These limits are designed to provide reasonable protection against harmful interference in a commercial environment. This equipment generates, uses, and can radiate radio frequency energy and, if not installed and used in accordance with the instructions, may cause harmful interference to radio communications. Operation of this equipment in a residential area is likely to cause harmful interference, in which case users will be required to correct the interference at their own expense.

Canada

Normes de sécurité (Canada)

Le présent appareil numérique n'émet pas de bruits radioélectriques dépassant les limites applicables aux appareils numériques de Classe A prescrites dans le règlement sur le brouillage radioélectrique édicté par le Ministère des Communications du Canada.

DOC statement (Canada)

This digital apparatus does not exceed the Class A limits for radio noise emissions from digital apparatus set out in the Radio Interference Regulations of the Canadian Department of Communications.

Korea

Korean EMI statement

사용자 안내문 : A 급 기기

이 기기는 업무용으로 전자파적합등록을 받은 기기이오니, 판매자 또는 사용자는 이 점을 주의 하시기 바라며, 만약 잘못 구입 하셨을 때에는 구입한 곳에서 비업무용으로 교환 하시기 바랍니다.

Taiwan

Taiwanese EMI statement

警告使用者:這是甲類的資訊產品,在居住的環境中使用時,可能會造成射頻干擾,在這種情況下,使用者會被要求採取某些適當的對策。

China

Chinese EMI statement

此为A级产品,在生活环境中,该产品可能会造成无线电干扰。在这种情况下,可能需要用户对其干扰采取切实可行的措施。

Germany

Sound

Geräuschemission (Germany) LpA < 70 dB, am Arbeitsplatz, im Normalbetrieb, nach DIN45635 T. 19.

Address

Hewlett-Packard Company

Manager of Corporate Product Regulations

3000 Hanover Street

Palo Alto, CA 94304

650/857-1501

Declaration of Conformity

according to ISO/IEC Guide 22 and EN 45014

Supplier's name:	Hewlett-Packard Company
Supplier's address:	Avenida Graells, 501 08174 Sant Cugat del Vallès Barcelona, Spain

declares that the product

Regulatory Model Number ⁽²⁾ :	BCLAA-0607
Product family:	HP Designjet High Speed Dryer 104in
Product options:	All

conforms to the following product specifications

Safety:	IEC 60950-1:2001 / EN 60950-1:2001
EMC:	CISPR 22:1997+A1:2000+A2:2002 / EN 55022:1998+A1:2000+A2:2003 Class A ⁽²⁾ EN 55024:1998+A1:2001+A2:2003 EN 61000-3-2:2000 / IEC 61000-3-3:2000 EN 61000-3-3:1995+A1:2001 / IEC 61000-3-3 / A1:2001 FCC Title 47 CFR, Part 15 Class A ^{(1) (2)}

Additional information

The product herewith complies with the requirements of the Low-Voltage Directive 73/23/EEC and the EMC Directive 89/336/EEC, and carries the CE marking accordingly.

1. This device complies with Part 15 of the FCC Rules. Operation is subject to the following two conditions:
 - This device may not cause harmful interference.
 - This device must accept any interference received, including interference that may cause undesired operation.
2. The product is assigned a Regulatory Model Number which stays with the regulatory aspect of the design. The Regulatory Model Number is the main product identifier in the regulatory documentation and test reports; this number should not be confused with the marketing name or the product numbers.



Josep-Maria Pujol

Hardware Quality Manager

Sant Cugat del Vallès (Barcelona)

July 21st, 2006

Local contacts for regulatory topics only

Contact in Europe: Hewlett-Packard GmbH, HQ-TRE, Herrenberger Strasse 140, 71034 Böblingen, Germany.

Contact in the USA: Hewlett-Packard Company, HPCC, 20555 S.H. 249 Houston, Texas 77070, USA.

Contact in Australia: Hewlett-Packard Australia Ltd, Product Regulations Manager, 31–41 Joseph Street, Blackburn, Victoria 3130, Australia.

Secador de alta velocidad HP Designjet - 104 pulgadas

Guía del usuario



Avisos legales

La información que aquí se incluye está sujeta a posibles cambios sin previo aviso.

Las únicas garantías para los productos y servicios de HP se establecen en la declaración de garantía expresa que se incluye con tales productos y servicios. Nada de lo que aquí se incluye debe ser interpretado como una garantía adicional. HP no será responsable de ningún error u omisión, técnico o editorial, que contenga esta documentación.

Tabla de contenidos

1 Introducción	
Precauciones de seguridad	1
Advertencias	1
Precaución	2
Precauciones de manejo	3
Alimentación eléctrica	3
Secador	3
2 Cómo montar el secador.	
Antes del montaje	5
Procedimiento de montaje	5
3 Cómo instalar el secador.	
Espacio de instalación	9
Conexión del cable de alimentación	10
4 Componentes del secador	
Componentes externos principales	11
Componente del panel de operaciones	12
5 Cómo utilizar el secador	
Procedimiento básico de funcionamiento	15
Uso eficaz del secador	16
Dirección del aire caliente	16
Ajuste del flujo de aire	16
Cuando la temperatura ambiente es baja	17
Configuración del papel con o sin el rodillo de recogida	17
6 Mantenimiento y limpieza	
Mantenimiento	19
Limpieza	19
7 Especificaciones	
8 Información legal	
Garantía limitada—Secador de alta velocidad HP Designjet - 104 pulgadas	23
A. Alcance de la garantía limitada de HP	23

C. Limitaciones de responsabilidad	24
D. Legislación local	25
Regulatory notices	26
Regulatory Model Number	26
Regulatory statements	26
Europe	26
USA	26
Electro-Magnetic Compatibility (EMC)	26
FCC statements (U.S.A.)	26
Shielded cables	26
Canada	27
Normes de sécurité (Canada)	27
DOC statement (Canada)	27
Korea	27
Korean EMI statement	27
Taiwan	27
Taiwanese EMI statement	27
China	27
Chinese EMI statement	27
Germany	28
Sound	28
Address	28
Declaration of Conformity	28
declares that the product	28
conforms to the following product specifications	28
Additional information	29
Local contacts for regulatory topics only	29

1 Introducción

Gracias por adquirir el secador de alta velocidad HP Designjet - 104 pulgadas (en lo sucesivo, secador).

El secador se coloca cerca de la salida del papel para secar la tinta impresa de forma eficaz.

El secador permite a la impresora optimizar sus propiedades de impresión de alta velocidad.

Características del secador:

- **Secado rápido en respuesta a una impresión de alta velocidad.**

Seca el papel mediante una corriente de aire caliente procedente de la salida del papel, siguiendo el recorrido del papel desde la impresora hasta el rollo de recogida.

- **Temporizador de 24 horas**

Establece tiempos de secado de hasta 24 horas en unidades de una hora, ahorrando energía y optimizando el secado.



Nota Si bien el papel se seca rápidamente, la tinta impresa en él requiere más tiempo. Si tras la impresión son necesarios procesos tales como el laminado, no se recomienda realizarlos inmediatamente después de que la impresora haya expulsado el papel. Algunos papeles no se secarán uniformemente con el secador. En tal caso, es preciso determinar un tiempo de espera de escaneo en el panel de operaciones de la impresora.

Precauciones de seguridad

Advertencias

Si no se siguen estas directrices, se pueden producir lesiones graves o mortales.

- Utilice el voltaje de alimentación especificado en la placa. De lo contrario, podría provocar un incendio o una descarga eléctrica.
- El funcionamiento del secador libera sustancias orgánicas volátiles procedentes de las tintas en el área de trabajo. Instale y utilice el secador exclusivamente en áreas bien ventiladas. En algunos casos, puede resultar necesario instalar una campana extractora cerca del secador para eliminar del área de trabajo los gases procedentes de la tinta.
- Evite sobrecargar la toma eléctrica de la impresora con varios dispositivos.
- Asegúrese de que el secador cuenta con una toma de tierra adecuada. De lo contrario, podría provocar un incendio o una descarga eléctrica.

- No salpique ni moje el material. No intente reparar el secador usted mismo. De lo contrario puede ocasionar un incendio, o bien generar descargas eléctricas u otros accidentes.
- No dañe, rompa, manipule o caliente el cable eléctrico. Si se utiliza un cable dañado se podría provocar un incendio o una descarga eléctrica.
- No retire las tapas del secador, ya que éstas conducen alta tensión e incluyen piezas que alcanzan temperaturas muy elevadas. Si extrae estas piezas sin las debidas precauciones, podría producir una descarga eléctrica o quemaduras.
- Nunca utilice el secador en lugares demasiado húmedos o en áreas en las que pudiera mojarse. Si un líquido penetra en el secador, podría provocar un incendio, una descarga eléctrica o cualquier otro accidente grave.
- No retire las tapas del secador, ya que éste conduce alta tensión e incluye piezas que alcanzan temperaturas muy elevadas. Si extrae estas piezas, podría producir una descarga eléctrica o quemaduras.
- Si un líquido penetra en el secador, podría ocasionar un incendio, una descarga eléctrica o cualquier otro accidente grave.
- No desconecte o conecte el cable eléctrico con las manos mojadas. Si lo hace, podría sufrir una descarga eléctrica.
- Apague el secador y desconecte el cable de alimentación de la toma en cualquiera de los siguientes casos:
 - Cuando toque el interior del secador.
 - Cuando advierta humo o un olor extraño en el secador.
 - Si el secador emite ruidos no habituales durante el funcionamiento normal.
 - En el caso de que una pieza de metal o un líquido (que no formen parte de las rutinas de limpieza y mantenimiento) entren en contacto con las piezas internas del secador.
 - Si en el panel frontal aparece un código de error que requiera la atención de un ingeniero de servicio.
 - Durante una tormenta eléctrica (truenos/rayos).
 - Durante un corte de suministro eléctrico.

Precaución

Si no se siguen estas directrices, se pueden producir lesiones graves o mortales.

- Maneje el secador con cuidado, ya que es un aparato muy pesado. Si se cae, podría ocasionar lesiones.
- Agarre el cable eléctrico por el enchufe para conectarlo o desconectarlo. Si no lo hace, es posible que el cable se pele o se rompa, provocando una descarga eléctrica y/o un incendio.
- No instale el secador en una superficie inestable o inclinada. Si el secador se cae, podría ocasionar lesiones.
- El secador alcanza altas temperaturas. Evite tocar las piezas calientes para prevenir lesiones.

Precauciones de manejo

Alimentación eléctrica

- Instale el secador cerca de una toma de corriente.
- No conecte el secador a una toma de corriente conectada a un motor u a otras máquinas que generen ruido.
- El secador funciona a 180-253 voltios, 50/60 Hz CA, monofásico. Asegúrese de que la toma de corriente cumple con los requisitos de tensión y corriente del secador. Para obtener información técnica, consulte el [Especificaciones](#).
- No conecte varios cables a una sola toma de corriente. El secador debe conectarse a una sola toma de corriente.

Secador

- No coloque cosas sobre el secador ni se apoye en él.
- No limpie la tapa con benceno o disolventes. La tapa puede desconcharse o decolorarse.

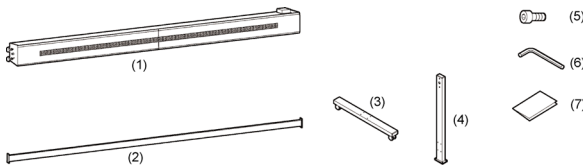
Limpie la superficie de la tapa con un paño suave. Si la tapa está sucia, limpie la superficie con un paño mojado con detergente neutro y agua y luego escúrralo bien.

2 Cómo montar el secador.

Lea detenidamente las instrucciones de montaje para ensamblar el secador correctamente.

Antes del montaje

El paquete que contiene el secador incluye las piezas que se ilustran a continuación. Asegúrese de que todas las piezas están en el paquete antes de montar el secador.



1. Secador
2. Soporte
3. Pata con ruedecitas (2)
4. Pie (2)
5. Tornillo con cabeza hexagonal M5×12L (16)
6. Llave de barra hexagonal
7. Guía del usuario

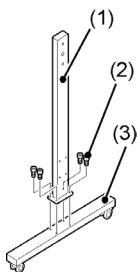


Nota Entre los accesorios se incluye un cable de alimentación conforme con las especificaciones de alimentación de cada región.

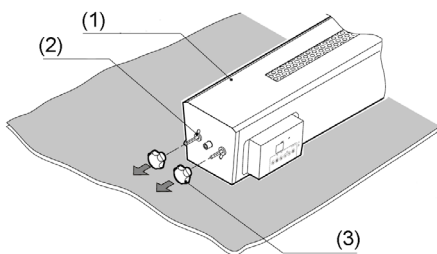
Procedimiento de montaje

1. Coloque un trozo de cartón u otra clase de lámina protectora en el suelo para proteger la superficie de las piezas del secador.

2. Fije una pata (3) a cada pie (1) empleando los tornillos de cabeza hexagonal (2).

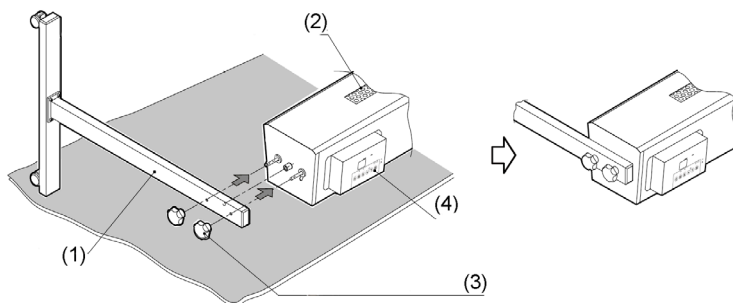


3. Coloque la unidad del secador (1) sobre la lámina protectora con la salida de aire orientada hacia arriba.
4. Retire las tuercas (3) (dos a cada lado) de ambos extremos del secador (1).



Nota No retire las arandelas (2) del secador (1).

5. Fije los pies (1) al secador (2) con las tuercas (3) (dos a cada lado del secador), tal como se indica a continuación.

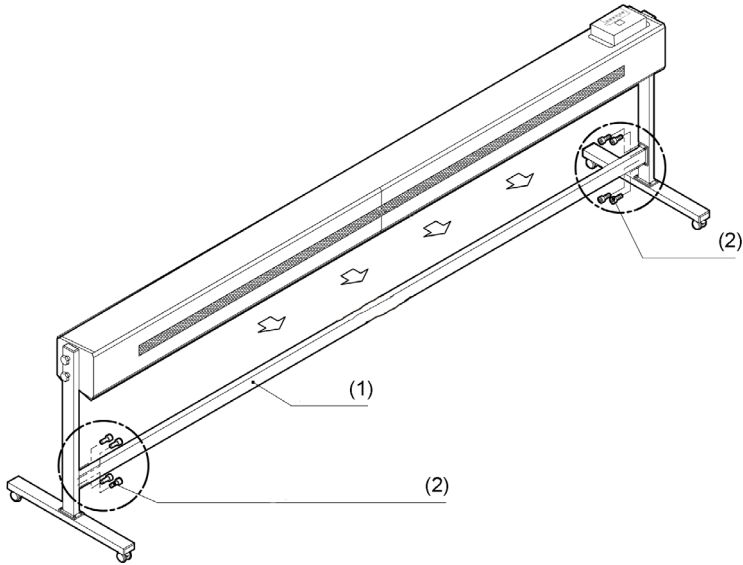


Nota Fije los pies de manera que el panel de operaciones (4) del secador esté orientado hacia arriba cuando el aparato esté colocado de pie.

Fije los pies de manera que sus orificios estén orientados hacia dentro, ya que se usarán para fijar el soporte.

6. Cuando los pies estén sujetos al secador, coloque todo el conjunto en posición vertical, apoyado sobre las patas.

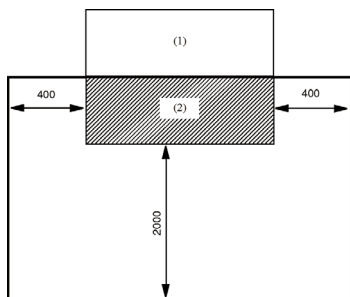
7. Fije el soporte (1) con cuatro tornillos de cabeza hexagonal (2) a cada lado del secador. Compruebe que todos los tornillos hayan sido apretados con fuerza.



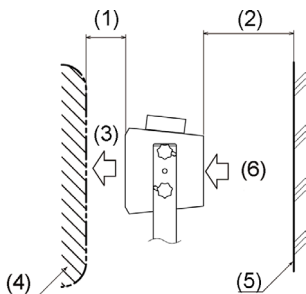
3 Cómo instalar el secador.

Espacio de instalación

En el siguiente diagrama aparece la impresora (1), el secador (2) y el espacio en milímetros que debe quedar libre alrededor del secador. La altura del secador es de 870 mm.

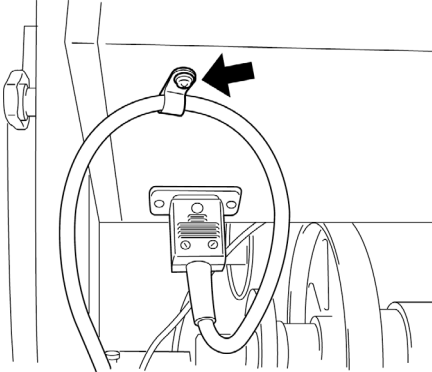


El secador debe colocarse al menos a 50 mm (1) del papel que sale de la impresora (4), con la entrada de aire (6) y la salida de aire (3) orientadas tal y como se indica abajo. La entrada de aire (6) también debería estar separada unos 300 mm (2) de cualquier objeto que la pueda obstruir (5). Bloquee las ruedas después de instalar el secador.

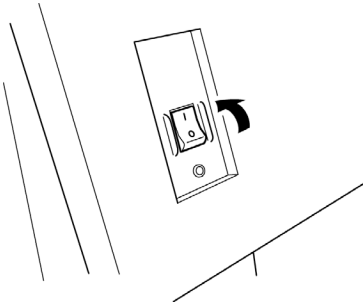


Conexión del cable de alimentación

1. Después de instalar el secador, conecte el cable de alimentación al enchufe de alimentación del secador.
2. Abra la abrazadera del cable de alimentación, pase el cable por su interior, cierre la abrazadera y luego sujete el cable con la misma. De esta manera, evitará desconectar el aparato accidentalmente.

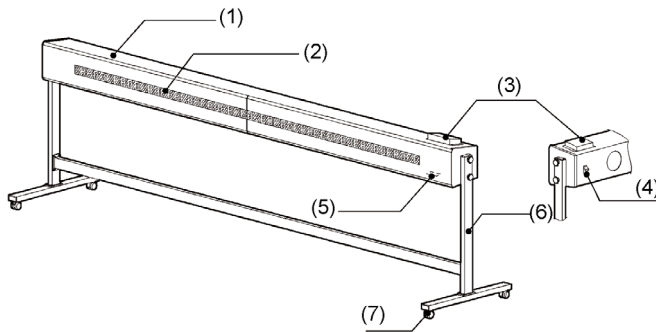


3. Verifique que el interruptor principal de alimentación del secador esté apagado (O) y luego conecte el otro extremo del cable de alimentación a una toma de alimentación adecuada (consulte [Especificaciones](#) para obtener más detalles).
4. Encienda el interruptor principal de alimentación del secador.



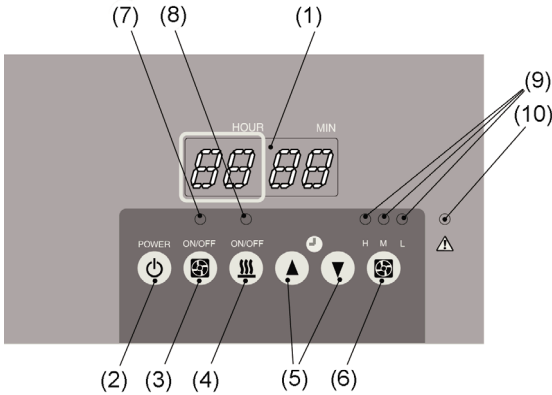
4 Componentes del secador

Componentes externos principales



1. Secador
2. Salida de aire caliente
3. Panel de operaciones
4. Interruptor de alimentación
5. Entrada de CA
6. Pie
7. Rueda

Componente del panel de operaciones



1. Panel de presentación:

- Indica el tiempo restante en el temporizador.
- Pulse los botones arriba o abajo del temporizador (5) para configurarlo (desde un mínimo de una hora hasta un máximo de 24 horas).

2. Botón de encendido:

- Enciende o apaga el secador.
- Si el botón de encendido está en posición de apagado mientras el calentador está en funcionamiento, el ventilador seguirá funcionando durante tres minutos hasta que finalmente el secador se apague.

3. Botón del ventilador: Cuando está encendido, expulsa el aire del secador.

4. Botón del calentador: Cuando está encendido, expulsa el aire caliente del secador.

5. Botón del temporizador:

- Configurar el temporizador.
- Se puede establecer un funcionamiento de hasta 24 horas (el tiempo restante aparece indicado en el panel de visualización).
- El valor predeterminado que aparece en el primer encendido es de 10 horas.

6. Botón del flujo de aire:

- Cambia el flujo de aire del ventilador y del calentador.
- El flujo de aire se puede configurar como Alto (A), Medio (M) o Bajo (B).
- El valor predeterminado que aparece en el primer encendido es Alto (A).

7. Luz del ventilador: Se enciende cuando el ventilador está en funcionamiento.
8. Luz del calentador: Se enciende cuando el calentador está en funcionamiento.
9. La luz del flujo de aire indica los tres niveles del flujo de aire procedente del ventilador: Alto (A), Medio (M) y Bajo (B).
10. Luz de error del calentador: Se enciende cuando la temperatura de la tapa superior es demasiado elevada.



PRECAUCIÓN Cuando se encienda la luz de error del calentador, pulse el botón del calentador para detener el funcionamiento del aire caliente y proyecte aire al nivel del flujo máximo (A) durante 10 minutos para enfriar el interior del secador. Una vez enfriado el secador, apáguelo con el interruptor principal de alimentación y luego póngase en contacto con nuestro soporte técnico.

No toque el secador justo después de apagarlo, ya que todavía puede estar caliente.

5 Cómo utilizar el secador

Procedimiento básico de funcionamiento

1. Pulse el botón de encendido (2) para encender el secador (se encenderán la luz del panel de operaciones y del flujo de aire).
2. Pulse el botón del calentador (4) para configurar el modo de funcionamiento (la luz del ventilador (7) y del calentador (8) se encenderán).
 - Si ha pulsado el botón del ventilador (3) antes del botón del calentador (4), no podrá encender el calentador pulsando en botón del calentador (4). Debe pulsar el botón del ventilador (3) de nuevo (para que se apague la luz del ventilador (7)) y después pulsar el botón del calentador (4) para que se ponga en marcha el aire caliente (tanto la luz del ventilador (7) como la del calentador (8) deberán encenderse).
 - Se puede volver a poner en funcionamiento el aire caliente pulsando el botón del calentador (4) aunque el ventilador siga funcionando durante tres minutos después de que se haya apagado el calentador.
3. El temporizador se utiliza para configurar el tiempo de funcionamiento del secador. Puede ajustarse para que funcione durante un tiempo máximo de 24 horas.
 - El valor predeterminado del temporizador es de 10 horas.
 - No se puede cambiar el tiempo de funcionamiento en el temporizador durante el periodo de enfriado de tres minutos.



Nota Cuando el tiempo restante que aparece en el temporizador se sitúe en 0, se detendrá el flujo de aire caliente del ventilador. El ventilador seguirá funcionando durante tres minutos más para enfriar el secador después de que se haya detenido el aire caliente.

4. Pulse el botón de flujo de aire (6) para ajustar el flujo de aire del ventilador.
5. Pulse el botón del calentador (4) para detener el funcionamiento del aire caliente. El ventilador seguirá funcionando durante tres minutos más después de que se haya detenido el aire caliente.
6. Apague el interruptor principal de alimentación para detener el funcionamiento.



Nota El ventilador seguirá funcionando durante tres minutos más a pesar de que el botón de encendido (2) se haya presionado sin antes apagar el calentador (con el botón del calentador (4)).



PRECAUCIÓN No se sienta sobre el secador ni se apoye en él. El aparato no soporta el peso de una persona.

No apague el interruptor principal de alimentación hasta que el ventilador haya terminado el ciclo de enfriado de tres minutos que tiene lugar después de detener el calentador. Cuando el interruptor principal de alimentación se apaga, el ventilador deja de girar y aumenta la temperatura interna debido al calor que aún acumula el calentador. Eso puede dañar el secador. Asimismo, la superficie caliente puede producir quemaduras. Si el interruptor principal de alimentación se apaga accidentalmente o si se retira el cable de alimentación, encienda de nuevo el interruptor y haga funcionar el ventilador con el flujo de aire al nivel alto durante al menos cinco minutos para enfriar el secador.

Si el cable de alimentación se desconecta accidentalmente, no toque el secador, ya que aún estará caliente.

La tinta no se seca de forma inmediata. Evite que el papel recién impreso entre en contacto con cualquier objeto.

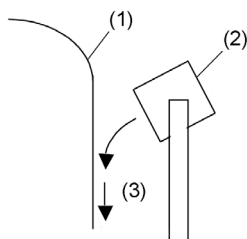
El papel impreso puede dañarse si el secador está demasiado cerca de él. Asegúrese de que el secador está situado al menos a 50 mm de distancia del papel.

Si la entrada de aire del secador se llena de polvo, la temperatura interna del aparato aumentará, provocando fallos. Limpie la entrada de aire periódicamente.

Uso eficaz del secador

Dirección del aire caliente

Oriente el cuerpo del secador ligeramente hacia abajo, como se indica a continuación. La eficacia de secado aumenta si el aire caliente es proyectado sobre la superficie del papel.



1. Papel
2. Secador
3. Aire caliente

Ajuste del flujo de aire

El flujo de aire se puede configurar en tres niveles. El secador utiliza un calentador de conducción constante, por lo que la temperatura desciende a medida que aumenta el flujo de aire, y viceversa. Para

mejorar la eficiencia del secado, se recomienda utilizar el flujo de aire a nivel alto (A) durante el funcionamiento del aire caliente.

Cuando la temperatura ambiente es baja

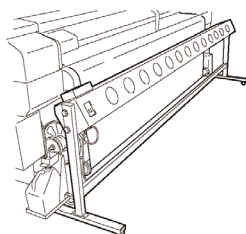
Encienda siempre el calentador para mantener el aire del secador a una temperatura ambiente de entre 10 y 20° C. Para secar el papel impreso es necesario elevar la temperatura a un cierto nivel. La temperatura ambiente debería mantenerse a 20° C o más para aumentar la eficiencia del secador.

Configuración del papel con o sin el rodillo de recogida

A continuación se muestran las configuraciones del papel con o sin el rodillo de recogida.

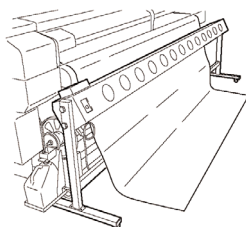
- **Con rodillo de recogida:**

Determine la colocación en función del secador, tal como se indica en la figura que aparece a continuación.



- **Sin rodillo de recogida:**

Retire el papel a través de las patas del secador, tal como se indica en la figura que aparece a continuación.



Nota Evite retirar demasiado el papel ya que la superficie impresa puede tocar el secador.

6 Mantenimiento y limpieza

Mantenimiento

Resulta conveniente revisar el secador periódicamente para detectar posibles fallos. En el caso de que se encuentren fallos, los aparatos se pueden reparar en el lugar de trabajo y, si es necesario, en uno de nuestros centros de reparaciones.

Limpieza

Si la superficie del secador se ensucia excesivamente, puede limpiarla con un paño suave mojado con agua y un detergente neutro bien escurrido.



PRECAUCIÓN Apague el interruptor de alimentación del secador antes de proceder a limpiarlo.

No utilice disolventes, benceno o cualquier otra sustancia no volátil para limpiar el secador: pueden hacer que la superficie del secador se desconche o decolore.

7 Especificaciones

Elemento	Especificación
Dimensiones	3310 mm (ancho) × 610 mm (fondo) × 870 mm (alto)
Peso	60 kg máx.
Color	Negro carbonita
Anchura máxima del papel	2.600 mm
Tipo de calentador	Calentador revestido
Periodo de calentamiento	10 minutos máx.
Recorrido del papel	Salida del papel enrollada o recta
Temperatura del aire caliente	Temperatura ambiente + 10° C mín.
Control de aire de los ventiladores	Tres niveles: Alto, Medio o Bajo.
Temporizador	Rango: 1 a 24 horas (unidad: 1 hora) (Error: ± 1%/h)
Normativas y estándares adquiridos	EN55022 Clase A FCC Pieza 15B Clase A VCCI Clase A CSA CE
Consumo eléctrico	3300 W máx.
Tensión de entrada	180 a 253 V CA
Frecuencia de la tensión de entrada	50/60 Hz ±1 Hz
Corte de suministro eléctrico instantáneo	20 mseg. mín.

Elemento	Especificación
Corriente de irrupción	35 A máx.
Toma de tierra	Toma de tierra Clase D (toma de tierra de 3ª clase)
Rango de temperatura y humedad de funcionamiento	Temperatura: 15 a 30° C Humedad: 30 a 70%HR (sin condensación)
Rango de temperatura y humedad de almacenamiento	Temperatura: 5 a 35° C Humedad: 10 a 80%HR (sin condensación)
Nivel de polvo	Equivalente a los entornos de las oficinas.
Ventilación	Se recomiendan instalaciones de ventilación para la desodorización.
Espacio de instalación	Salida: 50 mm mín. Entrada: 300 mm mín.

8 Información legal

Garantía limitada—Secador de alta velocidad HP Designjet - 104 pulgadas

Producto HP	Periodo de garantía limitada
Producto de hardware	1 año desde la fecha de compra del hardware por parte del cliente

A. Alcance de la garantía limitada de HP

1. Esta garantía limitada de Hewlett-Packard (HP) le otorga a usted, el usuario doméstico, derechos expresos de garantía limitada por parte de HP. Asimismo, también puede recibir derechos legales en virtud de la legislación local pertinente o de un acuerdo escrito especial con HP.
2. HP le garantiza que los productos HP detallados estarán libres de defectos en los materiales y en la mano de obra durante el periodo de la garantía limitada especificado anteriormente. El periodo de la garantía limitada comienza en la fecha de compra. Un recibo fechado de entrega o de ventas, que muestre la fecha de compra del producto, constituye la prueba de la fecha de adquisición. Es posible que se le solicite facilitar una prueba de compra como condición necesaria para recibir un servicio de garantía. Tiene derecho a un servicio de garantía según los términos y condiciones del presente documento si fuese necesaria una reparación o sustitución de los productos HP dentro del periodo de garantía limitada.
3. Para los productos de software, la garantía limitada de HP se aplica únicamente a los fallos en la ejecución de las instrucciones de programación. HP no garantiza que el funcionamiento del producto sea ininterrumpido o libre de errores.
4. Como se especifica en la guía del usuario, la garantía limitada de HP cubre únicamente aquellos defectos que se originen como consecuencia del uso normal de los productos HP, y no se aplica en caso de:
 - a. Mantenimiento indebido o inadecuado;
 - b. Interfaces o piezas no proporcionadas o admitidas por HP o
 - c. Uso que no se ajuste a las especificaciones del producto.

La garantía limitada de HP no cubre las operaciones rutinarias de mantenimiento del secador de alta velocidad HP Designjet - 104 pulgadas, tales como limpieza y servicios de mantenimiento preventivo (incluidas las piezas contenidas en cualquier kit de mantenimiento preventivo y las visitas de ingenieros de HP).

5. Las únicas acciones que se pueden realizar en relación con los productos HP defectuosos son las siguientes:
 - a. Durante el período de garantía limitada, HP sustituirá cualquier consumible defectuoso de la marca HP y que se cubra a través de la presente garantía limitada, y proporcionará otro producto al cliente para sustituir el defectuoso.
 - b. Durante el periodo de garantía limitada, HP, bajo su exclusivo criterio, reparará en el domicilio o sustituirá cualquier producto o pieza de hardware defectuosa. Si HP opta por sustituir cualquier pieza, le proporcionará una de repuesto, a cambio de la defectuosa, y (ii) asistencia remota en la instalación de piezas, si fuera necesario.
 - c. En el caso improbable de que HP no lograra reparar o sustituir, según corresponda, un producto defectuoso que se encuentre cubierto por la presente garantía limitada, HP reembolsará al cliente el precio de compra del producto, dentro de un plazo razonable, tras recibir notificación del defecto.
6. HP no tendrá obligación alguna de sustituir o realizar el reembolso a menos que devuelva la pieza o producto de hardware defectuosos a HP. Todos los productos de hardware, piezas y componentes extraídos, según esta garantía limitada, pasan a ser propiedad de HP. Teniendo en cuenta todo lo anterior, HP puede renunciar a solicitarle la devolución de la pieza defectuosa.
7. A menos que se indique lo contrario, y hasta los límites establecidos por la legislación local, los productos HP se pueden fabricar con materiales nuevos o con materiales usados equivalentes a los nuevos en rendimiento y fiabilidad. HP puede reparar o sustituir productos (i) por otros equivalentes a los productos en reparación o sustitución, pero que pueden haber sido objeto de uso anterior, o (ii) por un producto equivalente al original que ha dejado de funcionar.
8. ESTA GARANTÍA LIMITADA SE APLICA EN TODOS LOS PAÍSES/REGIONES Y SE PUEDE EJECUTAR EN CUALQUIER PAÍS/REGIÓN DONDE HP O SUS PROVEEDORES DE SERVICIO AUTORIZADOS OFREZCAN UN SERVICIO DE GARANTÍA Y HP TENGA SU PRODUCTO EN EL MERCADO, SEGÚN LOS TÉRMINOS Y CONDICIONES ESTIPULADOS EN LA PRESENTE GARANTÍA LIMITADA. SIN EMBARGO, EL TIEMPO DE RESPUESTA Y LA DISPONIBILIDAD DEL SERVICIO DE GARANTÍA PUEDE VARIAR DE UN PAÍS/REGIÓN A OTRO. HP NO MODIFICARÁ LA FORMA, CONSTITUCIÓN O FUNCIÓN DEL PRODUCTO CON EL FIN DE QUE FUNCIONE EN UN PAÍS/REGIÓN EN EL QUE NUNCA SE PRETENDIÓ QUE FUNCIONARA, POR MOTIVOS LEGALES O NORMATIVOS.
9. Se pondrán a disposición de los centros de servicios autorizados de HP, donde los productos HP antes especificados se distribuyan por HP o por un importador autorizado, contratos para servicios adicionales de garantía.
10. EN LA MEDIDA QUE PERMITA LA LEGISLACIÓN LOCAL Y SEGÚN SE ESTABLECE EXPLÍCITAMENTE EN ESTA GARANTÍA LIMITADA, NI HP NI SUS PROVEEDORES AUTORIZADOS ASUMEN NINGUNA OTRA GARANTÍA O CONDICIÓN DE NINGÚN TIPO EN RELACIÓN A LOS PRODUCTOS HP, YA SEA DE FORMA EXPRESA O IMPLÍCITA, Y HACEN CONSTAR EXPRESAMENTE QUE NO GARANTIZAN LA COMERCIABILIDAD, CALIDAD SATISFACTORIA E IDONEIDAD A EFECTOS DE CUALQUIER APLICACIÓN CONCRETA Y PARTICULAR.

C. Limitaciones de responsabilidad

EN LA MEDIDA QUE PERMITA LA LEGISLACIÓN LOCAL, SALVO LAS OBLIGACIONES ESPECÍFICAMENTE ESTABLECIDAS EN LA PRESENTE GARANTÍA LIMITADA, EN NINGÚN CASO HP O SUS TERCEROS PROVEEDORES SERÁN RESPONSABLES DE CUALESQUIERA DAÑOS DIRECTOS, INDIRECTOS, ESPECIALES, INCIDENTALS O CONSECUENCIALES (INCLUIDA CUALQUIER PÉRDIDA DE BENEFICIOS O AHORROS), BIEN SE DERIVEN DE RESPONSABILIDAD

CONTRACTUAL O EXTRA CONTRACTUAL, BIEN HAYA SIDO ADVERTIDA LA POSIBILIDAD DE TALES DAÑOS.

D. Legislación local

1. Esta garantía limitada le proporciona derechos legales determinados. El cliente podría además disponer de otros derechos que varían según el estado (en Estados Unidos), la provincia (Canadá) o la entidad gubernamental que corresponda en cualquier otro país/región del mundo. Le recomendamos que consulte la legislación nacional, provincial o estatal correspondiente para obtener una determinación completa de sus derechos.
2. En la medida en que la presente Declaración de Garantía contravenga la legislación local, ésta se considerará modificada con el fin de respetar la misma. LOS TÉRMINOS DE GARANTÍA CONTENIDOS EN EL PRESENTE DOCUMENTO, SALVO EN LO PERMITIDO EN EL ÁMBITO LEGAL, NO EXCLUYEN, RESTRINGEN O MODIFICAN Y SE SUMAN A LOS DERECHOS OBLIGATORIOS LEGALES APLICABLES A LA VENTA DE ESTE PRODUCTO AL CLIENTE.

Revisión: 21 de julio de 2006

Regulatory notices

Regulatory Model Number

For regulatory identification purposes, HP has assigned a Regulatory Model Number (RMN). The Regulatory Model Number for your product is as follows:

RMN	Product family
BCLAA-0607	HP Designjet High Speed Dryer 104in

The Regulatory Model Number (RMN) should not be confused with the marketing name (HP Designjet High Speed Dryer 104in) or product number.

Regulatory statements

Europe



ADVERTENCIA This is a class A product. In a domestic environment this product may cause radio interference, in which case the user may be required to take adequate measures.

USA

Electro-Magnetic Compatibility (EMC)

FCC statements (U.S.A.)

The U.S. Federal Communications Commission (in 47 cfr15.105) has specified that the following notices be brought to the attention of users of this product.

Shielded cables

Use of shielded data cables is required to comply with the Class A limits of Part 15 of the FCC Rules.



PRECAUCIÓN Pursuant to Part 15.21 of the FCC Rules, any changes or modifications to this equipment not expressly approved by the Hewlett-Packard Company may cause harmful interference and void the FCC authorization to operate this equipment.

This equipment has been tested and found to comply with the limits for a Class A digital device, pursuant to part 15 of the FCC Rules. These limits are designed to provide reasonable protection against harmful interference in a commercial environment. This equipment generates, uses, and can radiate radio frequency energy and, if not installed and used in accordance with the instructions, may cause harmful interference to radio communications. Operation of this equipment in a residential area is likely to cause harmful interference, in which case users will be required to correct the interference at their own expense.

Canada

Normes de sécurité (Canada)

Le présent appareil numérique n'émet pas de bruits radioélectriques dépassant les limites applicables aux appareils numériques de Classe A prescrites dans le règlement sur le brouillage radioélectrique édicté par le Ministère des Communications du Canada.

DOC statement (Canada)

This digital apparatus does not exceed the Class A limits for radio noise emissions from digital apparatus set out in the Radio Interference Regulations of the Canadian Department of Communications.

Korea

Korean EMI statement

사용자 안내문 : A 급 기기

이 기기는 업무용으로 전자파적합등록을 받은 기기이오니, 판매자 또는 사용자는 이 점을 주의 하시기 바라며, 만약 잘못 구입 하셨을 때에는 구입한 곳에서 비업무용으로 교환 하시기 바랍니다.

Taiwan

Taiwanese EMI statement

警告使用者:這是甲類的資訊產品,在居住的環境中使用時,可能會造成射頻干擾,在這種情況下,使用者會被要求採取某些適當的對策。

China

Chinese EMI statement

此为A级产品,在生活环境中,该产品可能会造成无线电干扰。在这种情况下,可能需要用户对其干扰采取切实可行的措施。

Germany

Sound

Geräuschemission (Germany) LpA < 70 dB, am Arbeitsplatz, im Normalbetrieb, nach DIN45635 T. 19.

Address

Hewlett-Packard Company

Manager of Corporate Product Regulations

3000 Hanover Street

Palo Alto, CA 94304

650/857-1501

Declaration of Conformity

according to ISO/IEC Guide 22 and EN 45014

Supplier's name:	Hewlett-Packard Company
------------------	-------------------------

Supplier's address:	Avenida Graells, 501 08174 Sant Cugat del Vallès Barcelona, Spain
---------------------	---

declares that the product

Regulatory Model Number ⁽²⁾ :	BCLAA-0607
--	------------

Product family:	HP Designjet High Speed Dryer 104in
-----------------	-------------------------------------

Product options:	All
------------------	-----

conforms to the following product specifications

Safety:	IEC 60950-1:2001 / EN 60950-1:2001
---------	------------------------------------

EMC:	CISPR 22:1997+A1:2000+A2:2002 / EN 55022:1998+A1:2000+A2:2003 Class A ⁽²⁾ EN 55024:1998+A1:2001+A2:2003 EN 61000-3-2:2000 / IEC 61000-3-3:2000 EN 61000-3-3:1995+A1:2001 / IEC 61000-3-3 / A1:2001 FCC Title 47 CFR, Part 15 Class A ^{(1) (2)}
------	---

Additional information

The product herewith complies with the requirements of the Low-Voltage Directive 73/23/EEC and the EMC Directive 89/336/EEC, and carries the CE marking accordingly.

1. This device complies with Part 15 of the FCC Rules. Operation is subject to the following two conditions:
 - This device may not cause harmful interference.
 - This device must accept any interference received, including interference that may cause undesired operation.
2. The product is assigned a Regulatory Model Number which stays with the regulatory aspect of the design. The Regulatory Model Number is the main product identifier in the regulatory documentation and test reports; this number should not be confused with the marketing name or the product numbers.



Josep-Maria Pujol

Hardware Quality Manager

Sant Cugat del Vallès (Barcelona)

July 21st, 2006

Local contacts for regulatory topics only

Contact in Europe: Hewlett-Packard GmbH, HQ-TRE, Herrenberger Strasse 140, 71034 Böblingen, Germany.

Contact in the USA: Hewlett-Packard Company, HPCC, 20555 S.H. 249 Houston, Texas 77070, USA.

Contact in Australia: Hewlett-Packard Australia Ltd, Product Regulations Manager, 31–41 Joseph Street, Blackburn, Victoria 3130, Australia.

Secador de alta velocidade HP Designjet - 104 polegadas

Guia do usuário



Avisos legais

As informações contidas neste documento estão sujeitas a alteração sem prévio aviso.

As únicas garantias para os produtos e serviços HP são referidas na declaração de garantia expressa fornecida com tais produtos e serviços. Nada neste documento pode ser considerado como uma garantia adicional. A HP não deverá ser responsabilizada por erros técnicos ou editoriais ou por omissões contidas neste documento.

Conteúdo

1 Introdução	
Precauções de segurança	1
Avisos	1
Cuidados:	2
Precauções de manipulação	3
Alimentação elétrica	3
Secador	3
2 Como montar o secador	
Antes de montar	5
Procedimento de montagem	5
3 Como instalar o secador	
Espaço de instalação	9
Conexão do cabo de força	9
4 Componentes do secador	
Principais componentes externos	11
Componentes do painel de operação	12
5 Como usar o secador	
Procedimento de operação básico	15
Use eficiente do secador	16
Direcionamento do ar morno	16
Configuração do fluxo de ar	16
Quando a temperatura ambiente estiver baixa	17
Configuração do papel com ou sem a unidade da bobina de recolhimento	17
6 Manutenção e limpeza	
Manutenção	19
Limpeza	19
7 Especificações	
8 Informações legais	
Garantia limitada—Secador de alta velocidade HP Designjet - 104 polegadas	23
A. Extensão da Garantia Limitada HP	23

B. Limitações de responsabilidade	24
C. Lei Aplicável	25
Regulatory notices	26
Regulatory Model Number	26
Regulatory statements	26
Europe	26
USA	26
Electro-Magnetic Compatibility (EMC)	26
FCC statements (U.S.A.)	26
Shielded cables	26
Canada	27
Normes de sécurité (Canada)	27
DOC statement (Canada)	27
Korea	27
Korean EMI statement	27
Taiwan	27
Taiwanese EMI statement	27
China	27
Chinese EMI statement	27
Germany	28
Sound	28
Address	28
Declaration of Conformity	28
declares that the product	28
conforms to the following product specifications	28
Additional information	29
Local contacts for regulatory topics only	29

1 Introdução

Obrigado por adquirir o Secador de alta velocidade HP Designjet - 104 polegadas (referido no restante da documentação como secador).

O secador é utilizado próximo à saída de papel da impressora para secar a tinta impressa no papel com eficiência.

Ele ajuda a impressora a maximizar sua capacidade de impressão de alta velocidade.

Recursos do secador:

- **Secagem rápida compatível com impressão de alta velocidade**

Seca o papel com ar morno na saída de papel da impressora, que é o caminho do papel da impressora para a unidade de rebobinagem.

- **Cronômetro de 24 horas**

Configura o tempo de secagem com um cronômetro de até 24 horas em unidades de uma hora, gerando economia de energia e total eficiência de secagem.



Nota O secador seca o papel, mas leva mais tempo para secar a tinta impressa no papel. Caso seja necessário executar outros processos após a impressão, como laminação, não se recomenda executá-los logo depois que o papel for descarregado da impressora. Alguns tipos de papel podem não secar totalmente mesmo com o uso do secador. Nesses casos, configure o tempo de espera da digitalização no painel de operação da impressora.

Precauções de segurança

Avisos

Caso estas diretrizes não sejam observadas, poderá haver sérios riscos de ferimentos e morte.

- Use a voltagem de alimentação elétrica especificada na gravura com o nome do produto. Caso isso não seja feito, poderá haver risco de incêndio ou choque elétrico.
- O uso do secador libera componentes orgânicos voláteis das tintas na área de trabalho. Instale e opere o secador somente em uma área com boa ventilação. Em alguns casos, pode ser necessário instalar uma coifa próxima à área de trabalho para remover vapores da tinta.
- Evite sobrecarregar a tomada elétrica da impressora com vários dispositivos.
- Certifique-se de que o secador esteja bem aterrado. Caso contrário, poderá haver risco de incêndio ou choque elétrico.

- Não desmonte ou remodele o secador. Não faça reparos no secador. Isso pode causar incêndio, choque elétrico ou outros acidentes.
- Não danifique, corte, processe ou aqueça o cabo de força. A utilização de um cabo de força danificado pode causar incêndio ou choque elétrico.
- Não remova as tampas fixas no secador, pois elas contêm peças com alta voltagem e extremamente quentes. A remoção cuidadosa pode resultar em choque elétrico ou queimadura.
- Nunca use o secador em lugares extremamente úmidos ou em qualquer local que haja risco de derramamento de líquidos sobre ele. Se qualquer líquido entrar em contato com o secador, pode haver incêndio, choque elétrico ou acidentes graves.
- Não remova as tampas fixas no secador, pois ele contém peças com alta voltagem e extremamente quentes. A remoção pode resultar em choque elétrico ou queimadura.
- Não deixe que líquidos ou metais entrem em contato com as peças internas do secador, pois pode ocorrer incêndio, choque elétrico ou outros acidentes.
- Não desconecte ou conecte o cabo de força com as mãos molhadas. Esse procedimento pode causar choque elétrico.
- Desligue o secador e desconecte o cabo de força da tomada em qualquer um destes casos:
 - Ao colocar as mãos dentro do secador;
 - Se houver fumaça ou um cheiro estranho vindo do secador;
 - Se o secador fizer um ruído estranho não ouvido durante a operação normal;
 - Se uma peça de metal ou uma substância líquida (não usada nas rotinas de limpeza e manutenção) entrar em contato com as peças internas do secador;
 - Se um código de erro aparecer no painel frontal e exigir a atenção de um engenheiro de serviço.
 - Durante uma tempestade elétrica (trovão/relâmpago);
 - Durante um período de falta de energia.

Cuidados:

Caso essas diretrizes não sejam observadas, pode haver risco de ferimentos leves ou danos ao produto.

- Manuseie o secador com cuidado, pois ele é pesado. Se ele cair, poderá causar ferimentos.
- Segure o cabo de força pelo plugue ao conectar ou desconectá-lo. Se não for feito dessa forma, o cabo poderá desgastar ou quebrar, podendo causar choque elétrico e/ou incêndio.
- Não instale o secador em uma superfície instável ou inclinada. Se ele cair ou se você derrubá-lo, poderá causar ferimentos.
- O secador fica muito quente durante a operação. Evite ferimentos: não encoste nas peças quentes.

Precauções de manipulação

Alimentação elétrica

- Instale o secador próximo a uma tomada elétrica de fácil acesso.
- Não conecte o secador à alimentação elétrica que esteja ligada em um motor ou outras máquinas que produzem ruído.
- O secador opera em uma voltagem de 180-253 V, tomada CA de 50/60 Hz, monofásica. Certifique-se de que a tomada elétrica seja compatível com os requisitos de voltagem e corrente exigidos para o secador. Consulte [Especificações](#) para obter mais detalhes.
- Não conecte mais de um cabo no mesmo soquete. O secador deve ser conectado a uma tomada exclusiva.

Secador

- Não coloque objetos ou se apóie no secador.
- Não limpe a tampa com benzeno ou solvente de tintas. Se isso for feito, o revestimento pode descascar ou descolorir.

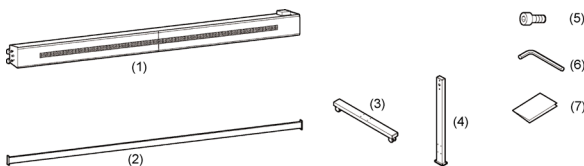
Limpe a superfície da tampa levemente com um pano macio. Se a tampa estiver suja, limpe-a com um pano umedecido em uma mistura de água e detergente neutro, bem torcido.

2 Como montar o secador

Para uma montagem correta, leia as instruções com atenção.

Antes de montar

A embalagem do secador contém as peças mostradas a seguir. Certifique-se de que todas as peças estejam presentes antes de montá-las.



1. Unidade do secador
2. Suporte fixo
3. Pé com castor (2)
4. Suporte (2)
5. Parafuso com cabeça para encaixe hexagonal M5 x12L (16)
6. Chave Allen
7. Guia do usuário

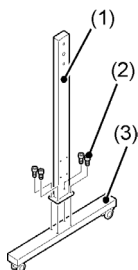


Nota Os acessórios incluem um cabo de força compatível com as especificações locais de energia.

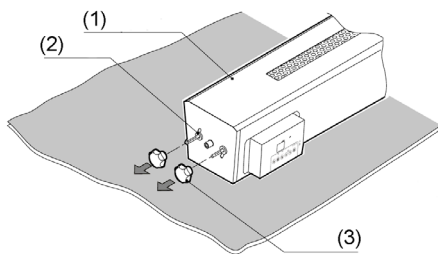
Procedimento de montagem

1. Coloque um papelão ou outra folha protetora no chão para proteger a superfície das peças do secador.

2. Fixe um pé (3) a cada suporte (1) com os parafusos com cabeça para encaixe hexagonal (2).

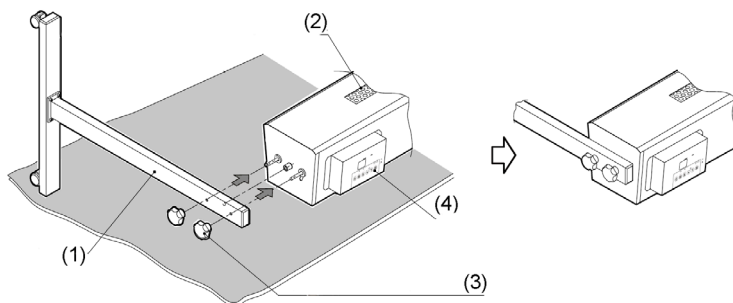


3. Coloque a unidade do secador (1) sobre a folha protetora com a saída de ar virada para cima.
4. Remova as maçanetas (3) - duas de cada lado - das duas extremidades da unidade do secador (1).



Nota Não remova as arruelas (2) do secador (1).

5. Segure os suportes (1) na unidade do secador (2) com as maçanetas (3) - duas de cada lado - como mostrado a seguir.

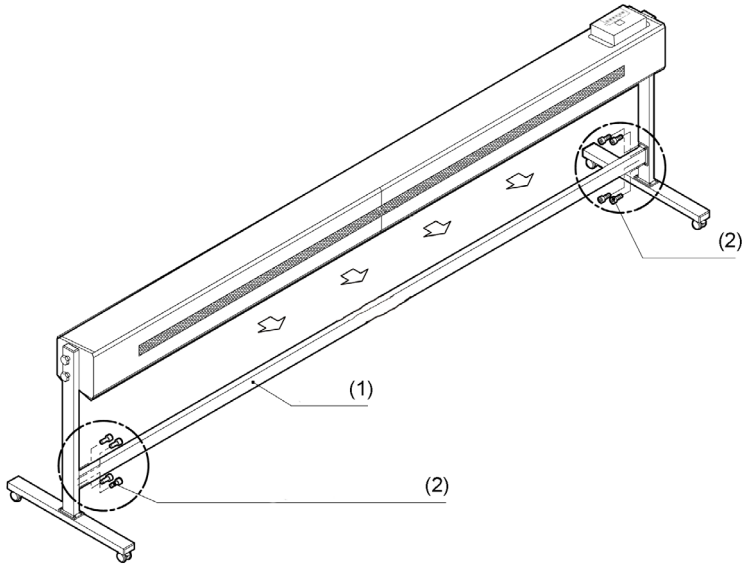


Nota Fixe os suportes de forma que o painel de operação (4) da unidade do secador fique virado para cima quando o secador for colocado na posição de operação.

Fixe os suportes de forma que seus furos fiquem virados para dentro; eles serão usados para prender o suporte fixo.

6. Quando os suportes estiverem fixados à unidade do secador, levante todo o conjunto de forma que ele fique apoiado sobre os pés.

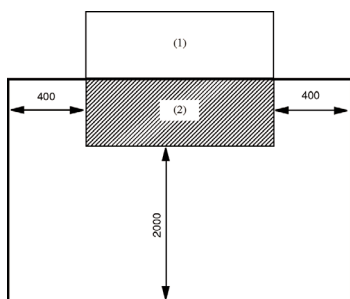
7. Prenda o suporte fixo (1) com os quatro parafusos com cabeça para encaixe hexagonal (2), um de cada lado da unidade do secador. Verifique se todos os parafusos estão bem apertados.



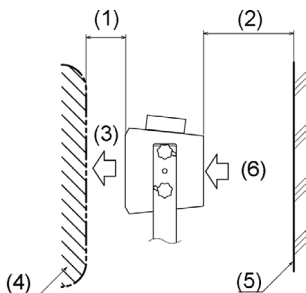
3 Como instalar o secador

Espaço de instalação

O diagrama a seguir mostra a impressora (1), o secador (2) e o espaço livre que deve haver ao redor do secador, em milímetros. A altura do secador é 870 mm.



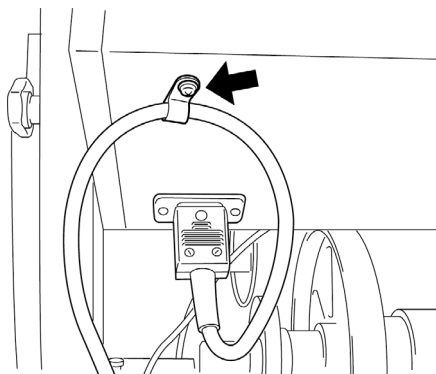
O secador deve estar posicionado a, pelo menos, 50 mm (1) da saída de papel da impressora (4), com a entrada (6) e a saída (3) de ar posicionadas como mostrado a seguir: A entrada de ar (6) também deve ficar a pelo menos 300 mm (2) de distância de qualquer obstrução (5). Trave as rodinhas depois de instalar o secador.



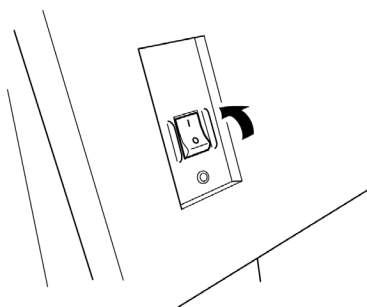
Conexão do cabo de força

1. Depois de instalar o secador, conecte o cabo de força ao soquete de força do secador.

2. Abra o grampo do cabo de força, passe o cabo pelo grampo, feche o grampo e, então, fixe o cabo. Isso evitará que o cabo de força seja desconectado acidentalmente.

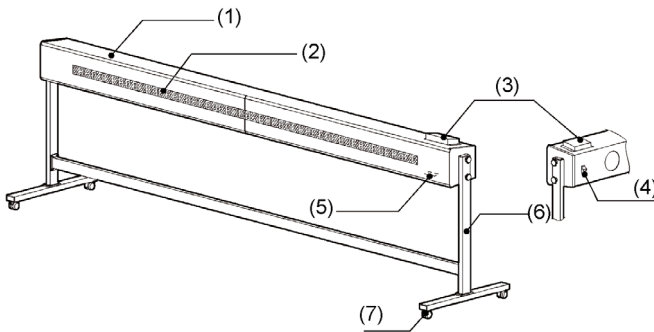


3. Verifique se o botão liga/desliga principal está na posição desligado (O) e só então conecte a outra extremidade do cabo de força a uma tomada elétrica compatível (consulte [Especificações](#) para obter mais detalhes).
4. Ative o botão liga/desliga principal do secador.



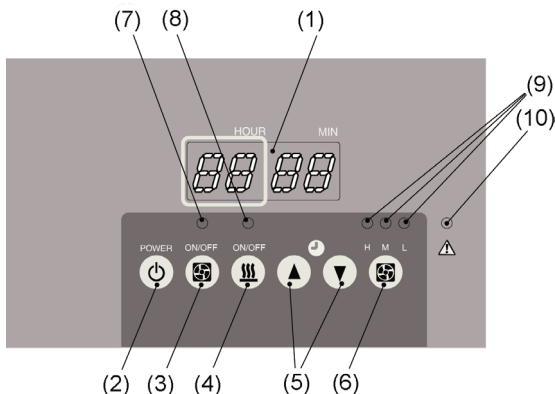
4 Componentes do secador

Principais componentes externos



1. Unidade do secador
2. Entrada de ar quente
3. Painel de operação
4. Botão liga/desliga
5. Entrada CA
6. Suporte
7. Rodinha

Componentes do painel de operação



1. Painel do visor:

- Indica o tempo restante no cronômetro.
- Pressione os botões (5) Timer (Cronômetro) para cima ou para baixo para definir o cronômetro (mínimo de uma hora e máximo de 24 horas).

2. Botão Power (Energia):

- Liga ou desliga o secador.
- Se o botão Power (Energia) for desligado durante uma operação do secador, o ventilador continuará a funcionar por mais três minutos antes de o secador desligar eventualmente.

3. Botão Fan (Ventilador): Quando acionado, o ar é ventilado para fora do secador.

4. Botão Heater (Aquecedor): Quando acionado, o ar quente é ventilado para fora do secador.

5. Botão Timer (Cronômetro):

- Define o cronômetro.
- Poderá ser definida uma operação de até 24 horas (o tempo restante é indicado do painel do visor).
- O valor padrão para a primeira vez que ele é ligado é 10 horas.

6. Botão Air Flow (Fluxo de ar):

- Altera o fluxo de ar do ventilador e do aquecedor.
- O fluxo de ar pode ser alterado para High (H - Alto), Medium (M - Médio) ou Low (L - Baixo).
- O valor padrão para a primeira vez que ele é ligado é High (H - Alto).

7. Lâmpada do ventilador: Acende quando o ventilador está funcionando.

8. Lâmpada do aquecedor: Acende quando o aquecedor é acionado.
9. A lâmpada do fluxo de ar indica o fluxo de ar do ventilador em três níveis: High (H - Alto), Medium (M - Médio) e Low (L - Baixo).
10. Lâmpada de erro do aquecedor: Acende quando a temperatura da tampa superior está muito alta.



CUIDADO Quando a lâmpada de erro do aquecedor acender, pressione o botão do aquecedor para interromper a operação de ar quente e ventilar ar no nível de fluxo máximo (H) durante 10 minutos para esfriar dentro do secador. Depois que o secador esfriar, desligue-o utilizando o botão liga/desliga principal, em seguida, entre em contato com a central de assistência técnica.

Não encoste no secador logo depois de desligá-lo, pois estará quente.

5 Como usar o secador

Procedimento de operação básico

1. Pressione o botão Power (2) - Energia - para ligar o secador (o painel de operação e a lâmpada do fluxo de ar acendem).
2. Pressione o botão Heater (4) - Aquecedor - para definir o modo de operação (as lâmpadas do ventilador (7) e do aquecedor (8) acendem).
 - Se o botão Fan (3) - Ventilador - for pressionado antes do botão Heater (4) - Aquecedor -, não será possível acionar o aquecedor quando o botão Heater (4) for pressionado. Pressione o botão Fan (3) - Ventilador - novamente (a lâmpada do ventilador (7) apaga), em seguida, pressione o botão Heater (4) - Aquecedor - para que a operação do ar quente inicie (as lâmpadas do ventilador (7) e do aquecedor (8) devem acender).
 - A operação do ar quente pode ser iniciada quando o botão Heater (4) - Aquecedor - é pressionado enquanto o ventilador estiver acionado por três minutos após o aquecedor ser desativado.
3. O cronômetro é utilizado para definir o tempo de operação do secador. Ele pode ser definido para um tempo de até 24 horas.
 - A configuração padrão do cronômetro é de 10 horas.
 - Não é possível alterar a hora do cronômetro durante o período de três minutos de resfriamento.



Nota Quando o tempo restante no cronômetro atingir 0, o ar quente do ventilador será interrompido. O ventilador continuará a funcionar por um período adicional de três minutos para resfriar o secador depois que o ar quente pára.

4. Pressione o botão Air Flow (6) - Fluxo de ar - para ajustar o fluxo de ar do ventilador.
5. Pressione o botão Heater (4) - Aquecedor - para interromper a operação do ar quente. O ventilador funcionará por um período adicional de três minutos depois que o ar quente parar.
6. Desligue o botão liga/desliga principal para concluir a operação.



Nota O ventilador continuará a funcionar por um período adicional de três minutos quando o botão Power (2) - Energia - é pressionado sem que o aquecedor seja desligado primeiro (usando o botão Heater (4) - Aquecedor).



CUIDADO Não se sente ou apóie sobre o secador. Ele não foi projetado para suportar o peso de uma pessoa.

Não desligue o botão liga/desliga principal até que o ventilador conclua seu período de três minutos de resfriamento depois que o aquecedor parar. Quando o botão liga/desliga principal é desligado, o ventilador pára de girar, aumentando a temperatura interna em função do calor restante do aquecedor. Isso pode danificar o secador. Além disso, a superfície aquecida pode causar queimaduras. Se o botão liga/desliga principal for acidentalmente desativado ou se o cabo de força for desconectado, ligue novamente o ventilador com o fluxo de ar definido na posição alta por pelo menos cinco minutos para esfriar o secador.

Se o cabo de energia for acidentalmente desconectado, não toque no secador, pois ele permanecerá quente.

A tinta não seca imediatamente. Portanto, tome cuidado para que o papel que acabou de ser impresso não encoste em nada.

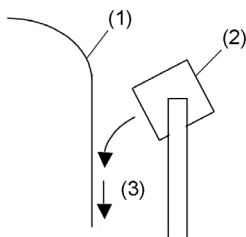
O papel impresso pode ser danificado caso o secador está muito próximo a ele. Certifique-se de que o secador fique a uma distância mínima de 50 mm do papel.

Caso a entrada de ar do secador fique bloqueada com pó, a temperatura interna irá aumentar, o que poderá causar uma falha. Portanto, limpe a entrada de ar regularmente.

Use eficiente do secador

Direcionamento do ar morno

Posicione o corpo do secador apontado ligeiramente para baixo, como mostrado a seguir. A eficiência da secagem aumenta quando o ar morno é soprado sobre toda a superfície do papel.



1. Papel
2. Secador
3. Ar morno

Configuração do fluxo de ar

O fluxo de ar pode ser definido para um dos três níveis. O secador usa um aquecedor de condução constante e a temperatura abaixa de acordo com o aumento do fluxo de ar ou aumenta conforme diminui

esse fluxo. Para melhorar a eficiência de secagem, o fluxo de ar alto (H) é recomendado durante a operação de ar quente.

Quando a temperatura ambiente estiver baixa

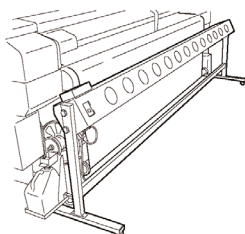
Sempre acione o aquecedor para manter o ar do secador na temperatura ambiente entre +10 e 20 °C. Será necessário aumentar a temperatura para um determinado nível para secar o papel impresso. A temperatura ambiente deve ficar a 20 °C ou superior para aumentar a eficiência de secagem.

Configuração do papel com ou sem a unidade da bobina de recolhimento

As configurações do papel com ou sem a unidade da bobina de recolhimento são mostradas a seguir.

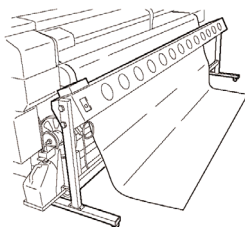
- **Com unidade da bobina de recolhimento:**

Determine o local em relação ao secador como mostrado na figura a seguir.



- **Sem unidade da bobina de recolhimento:**

Retire o papel através das pernas do secador como mostrado na figura a seguir.



Nota Evite retirar muito papel, pois a superfície impressa pode tocar o secador.

6 Manutenção e limpeza

Manutenção

Verifique periodicamente se o secador está com defeitos. Se um dano for encontrado, poderá ser reparado pela assistência no próprio local ou, se necessário, na central de assistência técnica.

Limpeza

Caso a superfície do secador fique muito suja, você pode limpá-la levemente com um pano macio umedecido com água e detergente neutro.



CUIDADO Desative o botão liga/desliga do secador antes de limpá-lo.

Não use solvente de tintas, benzeno ou outros solventes não voláteis para limpar o secador. Esses produtos podem descascar ou descolorir o revestimento da superfície.

7 Especificações

Item	Especificação
Dimensões	3310 (W) x 610 (D) x 870 (H) mm
Peso	60 kg ou menos
Cor	Preto carbonita
Largura máxima do papel	2.600 mm
Tipo do aquecedor	Aquecedor revestido
Tempo de aquecimento	10 minutos ou menos
Caminho do papel	Saída direta ou com rebobinagem
Temperatura do ar quente	Temperatura ambiente de + 10°C ou mais
Controle do fluxo do ventilador	Três níveis: High (Alto), Medium (Médio) ou Low (Baixo)
Cronômetro	Intervalo: de 1 a 24 horas (unidade: 1 hora) (Erro: ± 1%/h)
Padrões e regulamentações adquiridos	EN55022 Classe A Dispositivo de Classe A, em conformidade com Parte 15B das Normas da FCC VCCI Classe A CSA CE
Consumo de energia	3300 W ou inferior
Voltagem elétrica de entrada	180 a 253 VAC
Frequência elétrica de entrada	50/60 Hz ±1 Hz

Item	Especificação
Falta de energia instantânea	20 ms ou superior
Corrente de energização transitória	35 A ou inferior
Aterramento	Classe D de aterramento (terceira classe de aterramento)
Faixa de temperatura operacional e umidade	Temperatura: de 15 a 30°C Umidade: de 30 a 70% UR (sem condensação)
Faixa de temperatura de armazenamento e umidade	Temperatura: de 5 a 35°C Umidade: de 10 a 80% UR (sem condensação)
Nível de poeira	Equivalente aos ambientes de escritório.
Ventilação	Os recursos de ventilação são recomendados para a desodorização.
Espaço de instalação	Saída: 50 mm ou superior Entrada: 300 mm ou superior

8 Informações legais

Garantia limitada—Secador de alta velocidade HP Designjet - 104 polegadas

Produto HP	Período de Garantia Limitada
Produto de Hardware	1 ano a contar da data de aquisição do produto pelo consumidor

A. Extensão da Garantia Limitada HP

1. Esta Garantia Limitada HP (Hewlett-Packard) concede a você, consumidor final, direitos de garantia limitada expressa da HP. Além disso, você pode ter outros direitos legais de acordo com a lei local aplicável ou com o contrato por escrito especial com a HP.
2. A HP garante que os produtos HP supra citados não apresentarão defeitos com relação aos materiais ao à fabricação durante o Período de Garantia Limitada especificado anteriormente. Esse Período de Garantia Limitada iniciar-se na data de compra. Seu recibo de compra ou entregada datado, indicando a data da compra do produto, é o seu comprovante da data de compra. Pode ser solicitado que você apresente um comprovante de compra como condição para receber o serviço de garantia. Você tem direito ao serviço de garantia, de acordo com os termos e as condições deste documento, se um reparo ou uma substituição for necessário dentro do Período de Garantia Limitada.
3. Para produtos de software, a Garantia Limitada HP apenas se aplica no caso de falha na execução de instruções de programação. A HP não garante que os produtos serão operados sem interrupção ou isentos de erros.
4. A Garantia Limitada HP apenas cobre defeitos decorrentes de uma utilização apropriada do produto conforme definido no guia do usuário, não se aplicando nos seguintes casos:
 - a. Manutenção imprópria ou inadequada;
 - b. Interfaces ou peças não fornecidas ou suportadas pela HP; ou
 - c. Operação fora das especificações do produto.

As operações de manutenção de rotina do Secador de alta velocidade HP Designjet - 104 polegadas, tais como limpeza e serviços de manutenção preventiva (incluindo peças contidas nos kits de manutenção preventiva e deslocamentos de engenheiros da HP) não se encontram cobertas pelos termos da presente Garantia Limitada HP.

5. As únicas soluções para produtos HP com defeito são as seguintes:
 - a. Durante o Período de Garantia Limitada, a HP irá substituir qualquer software ou produto substituível HP com defeito, que seja coberto pela Garantia Limitada, e entregará outro produto a você para substituir o que apresentou defeito.
 - b. Durante o Período de Garantia Limitada, a HP, de acordo com sua própria decisão, pode tanto consertar no local ou substituir qualquer produto de hardware ou peça do componente com defeito. Se a HP optar por substituir qualquer peça do componente, Ela fornecerá a você (i) a peça de substituição mediante entrega da peça com defeito e (ii) assistência para instalação remota da peça, se necessário.
 - c. No caso improvável de a HP não poder reparar ou substituir, conforme aplicável, o produto defeituoso coberto pela Garantia Limitada HP, esta devolverá, em um prazo razoável após a notificação do defeito, o valor pago pelo produto.
6. A HP não terá nenhuma obrigação de substituir ou reembolsá-lo até que o produto de hardware com defeito ou peça do componente seja retornado à HP. Todos os componentes, peças ou produtos de hardware removidos sob a Garantia Limitada tornam-se propriedade da HP. Não obstante o que foi mencionado, a HP pode desistir da solicitação feita a você para retornar a peça com defeito.
7. A não ser que especificado de outra forma e na extensão permitida pela lei local, os produtos HP podem ser fabricados com materiais novos ou com materiais novos e usados, que sejam equivalentes a novos no que diz respeito ao desempenho e à confiabilidade. A HP pode consertar ou substituir produtos (i) com equivalentes aos que estão sendo consertados ou substituídos, mas que tenham sido utilizados anteriormente; ou (ii) com um produto equivalente ao original, que não seja mais fabricado.
8. ESTA GARANTIA LIMITADA APLICA-SE A TODOS OS PAÍSES E PODE SER APLICADA EM QUALQUER PAÍS ONDE A HP OU SEUS FORNECEDORES DE SERVIÇOS AUTORIZADOS OFEREÇAM SERVIÇOS DE GARANTIA E ONDE A HP COMERCIALIZA PRODUTOS, ESTANDO SUJEITOS AOS TERMOS E CONDIÇÕES ESTABELECIDOS NESTA GARANTIA LIMITADA. NO ENTANTO, A DISPONIBILIDADE DO SERVIÇO DE GARANTIA E O TEMPO DE RESPOSTA PODEM VARIAR DE UM PAÍS PARA OUTRO. A HP NÃO MODIFICARÁ O FORMATO, A ADEQUAÇÃO OU O FUNCIONAMENTO DO PRODUTO PARA OPERÁ-LO EM UM PAÍS PARA O QUAL ELE NÃO FOI INTENCIONADO, POR RAZÕES LEGAIS E DE CONTROLE.
9. Contratos para serviços adicionais poderão estar disponíveis para qualquer fornecedor de serviços da HP, onde os produtos relacionados são distribuídos pela HP ou por um importador autorizado.
10. NOS TERMOS PERMITIDOS PELA LEI APLICÁVEL, EXCETO COMO EXPRESSAMENTE ESTABELECIDO NESTA GARANTIA LIMITADA, NEM A HP NEM OS RESPECTIVOS FORNECEDORES PRESTAM QUALQUER OUTRA GARANTIA OU CONDIÇÕES DE QUALQUER TIPO, EXPRESSA OU SUBENTENDIDA, COM RELAÇÃO AOS PRODUTOS HP, E ESPECIFICAMENTE SE ISENTAM DAS GARANTIAS IMPLÍCITAS OU DAS CONDIÇÕES DE COMERCIALIZAÇÃO, QUALIDADE SATISFATÓRIA E ADEQUAÇÃO A UM DETERMINADO FIM ESPECÍFICO.

B. Limitações de responsabilidade

NOS TERMOS PERMITIDOS POR LEI, EXCETO RELATIVAMENTE A OBRIGAÇÕES ESPECIFICAMENTE REFERIDAS NA PRESENTE GARANTIA LIMITADA, A HP E OS RESPECTIVOS FORNECEDORES NÃO SERÃO RESPONSÁVEIS POR DANOS DIRETOS, INDIRETOS, ESPECIAIS, INCIDENTAIS OU CONSEQÜENCIAIS (INCLUINDO QUALQUER PERDA DE LUCROS OU ECONOMIAS), RESULTANTES DE CONTRATO, DE AÇÃO DE INDENIZAÇÃO POR PERDAS E DANOS OU QUALQUER OUTRA AÇÃO JUDICIAL, QUER TENHA SIDO AVISADO DA POSSIBILIDADE DE TAL INDENIZAÇÃO OU NÃO.

C. Lei Aplicável

1. Esta Garantia Limitada dá a você direitos legais específicos. Você poderá ainda ter outros direitos que podem variar de estado para estado nos Estados Unidos, de província para província no Canadá e de país para país em outros locais do mundo. Você deve consultar as leis nacionais, da província ou do estado aplicáveis para determinar seus direitos.
2. Na medida em que a presente Declaração de Garantia for contrária às leis aplicáveis, deverá ser alterada para que não mais contrarie tais leis aplicáveis. OS TERMOS DE GARANTIA ESTABELECIDOS NESTA GARANTIA LIMITADA, EXCETO NA EXTENSÃO PERMITIDA POR LEI, NÃO EXCLUEM, RESTRINGEM OU MODIFICAM OS DIREITOS ESTATUTÁRIOS OBRIGATÓRIOS APLICÁVEIS À VENDA DESTES PRODUTOS A VOCÊ, E OS COMPLEMENTAM.

Revisão: 21 de julho de 2006

Regulatory notices

Regulatory Model Number

For regulatory identification purposes, HP has assigned a Regulatory Model Number (RMN). The Regulatory Model Number for your product is as follows:

RMN	Product family
BCLAA-0607	HP Designjet High Speed Dryer 104in

The Regulatory Model Number (RMN) should not be confused with the marketing name (HP Designjet High Speed Dryer 104in) or product number.

Regulatory statements

Europe



AVISO! This is a class A product. In a domestic environment this product may cause radio interference, in which case the user may be required to take adequate measures.

USA

Electro-Magnetic Compatibility (EMC)

FCC statements (U.S.A.)

The U.S. Federal Communications Commission (in 47 cfr15.105) has specified that the following notices be brought to the attention of users of this product.

Shielded cables

Use of shielded data cables is required to comply with the Class A limits of Part 15 of the FCC Rules.



CUIDADO Pursuant to Part 15.21 of the FCC Rules, any changes or modifications to this equipment not expressly approved by the Hewlett-Packard Company may cause harmful interference and void the FCC authorization to operate this equipment.

This equipment has been tested and found to comply with the limits for a Class A digital device, pursuant to part 15 of the FCC Rules. These limits are designed to provide reasonable protection against harmful interference in a commercial environment. This equipment generates, uses, and can radiate radio frequency energy and, if not installed and used in accordance with the instructions, may cause harmful interference to radio communications. Operation of this equipment in a residential area is likely to cause harmful interference, in which case users will be required to correct the interference at their own expense.

Canada

Normes de sécurité (Canada)

Le présent appareil numérique n'émet pas de bruits radioélectriques dépassant les limites applicables aux appareils numériques de Classe A prescrites dans le règlement sur le brouillage radioélectrique édicté par le Ministère des Communications du Canada.

DOC statement (Canada)

This digital apparatus does not exceed the Class A limits for radio noise emissions from digital apparatus set out in the Radio Interference Regulations of the Canadian Department of Communications.

Korea

Korean EMI statement

사용자 안내문 : A 급 기기

이 기기는 업무용으로 전자파적합등록을 받은 기기이오니, 판매자 또는 사용자는 이 점을 주의 하시기 바라며, 만약 잘못 구입 하셨을 때에는 구입한 곳에서 비업무용으로 교환 하시기 바랍니다.

Taiwan

Taiwanese EMI statement

警告使用者:這是甲類的資訊產品,在居住的環境中使用時,可能會造成射頻干擾,在這種情況下,使用者會被要求採取某些適當的對策。

China

Chinese EMI statement

此为A级产品,在生活环境中,该产品可能会造成无线电干扰。在这种情况下,可能需要用户对其干扰采取切实可行的措施。

Germany

Sound

Geräuschemission (Germany) LpA < 70 dB, am Arbeitsplatz, im Normalbetrieb, nach DIN45635 T. 19.

Address

Hewlett-Packard Company

Manager of Corporate Product Regulations

3000 Hanover Street

Palo Alto, CA 94304

650/857-1501

Declaration of Conformity

according to ISO/IEC Guide 22 and EN 45014

Supplier's name:	Hewlett-Packard Company
------------------	-------------------------

Supplier's address:	Avenida Graells, 501 08174 Sant Cugat del Vallès Barcelona, Spain
---------------------	---

declares that the product

Regulatory Model Number ⁽¹⁾ :	BCLAA-0607
--	------------

Product family:	HP Designjet High Speed Dryer 104in
-----------------	-------------------------------------

Product options:	All
------------------	-----

conforms to the following product specifications

Safety:	IEC 60950-1:2001 / EN 60950-1:2001
---------	------------------------------------

EMC:	CISPR 22:1997+A1:2000+A2:2002 / EN 55022:1998+A1:2000+A2:2003 Class A ⁽²⁾ EN 55024:1998+A1:2001+A2:2003 EN 61000-3-2:2000 / IEC 61000-3-3:2000 EN 61000-3-3:1995+A1:2001 / IEC 61000-3-3 / A1:2001 FCC Title 47 CFR, Part 15 Class A ^{(1) (2)}
------	---

Additional information

The product herewith complies with the requirements of the Low-Voltage Directive 73/23/EEC and the EMC Directive 89/336/EEC, and carries the CE marking accordingly.

1. This device complies with Part 15 of the FCC Rules. Operation is subject to the following two conditions:
 - This device may not cause harmful interference.
 - This device must accept any interference received, including interference that may cause undesired operation.
2. The product is assigned a Regulatory Model Number which stays with the regulatory aspect of the design. The Regulatory Model Number is the main product identifier in the regulatory documentation and test reports; this number should not be confused with the marketing name or the product numbers.



Josep-Maria Pujol

Hardware Quality Manager

Sant Cugat del Vallès (Barcelona)

July 21st, 2006

Local contacts for regulatory topics only

Contact in Europe: Hewlett-Packard GmbH, HQ-TRE, Herrenberger Strasse 140, 71034 Böblingen, Germany.

Contact in the USA: Hewlett-Packard Company, HPCC, 20555 S.H. 249 Houston, Texas 77070, USA.

Contact in Australia: Hewlett-Packard Australia Ltd, Product Regulations Manager, 31–41 Joseph Street, Blackburn, Victoria 3130, Australia.



Printed on at least 50% total recycled fiber
with at least 10% post-consumer paper

© 2005 Hewlett-Packard Development Company, L.P.

Printed in XXXXXX Imprimé en XXXXXX Stampato in XXXXXX

www.hp.com



Q6694-90003



invent