

HP Designjet High Speed Dryer - 104 inch

User's guide



Legal notices

The information contained herein is subject to change without notice.

The only warranties for HP products and services are set forth in the express warranty statement accompanying such products and services. Nothing herein should be construed as constituting an additional warranty. HP shall not be liable for technical or editorial errors or omissions contained herein.

Table of contents

1 Introduction	
Safety precautions	1
Warnings	1
Cautions	2
Handling precautions	2
Power supply	2
Dryer	3
2 How to assemble the dryer	
Before assembly	5
Assembly procedure	5
3 How to install the dryer	
Installation space	9
Power connection	9
4 Dryer components	
Main external components	11
Operation panel components	12
5 How to use the dryer	
Basic operating procedure	15
Efficient use of the dryer	16
Direction of warm air	16
Airflow setting	16
When room temperature is low	17
Paper setting with or without the take-up-reel unit	17
6 Maintenance and cleaning	
Maintenance	19
Cleaning	19
7 Specifications	
8 Legal information	
Limited Warranty—HP Designjet High Speed Dryer - 104 inch	23
A. Extent of HP Limited Warranty	23

B. Limitations of liability	24
C. Local law	25
Regulatory notices	26
Regulatory Model Number	26
Regulatory statements	26
Europe	26
USA	26
Electro-Magnetic Compatibility (EMC)	26
FCC statements (U.S.A.)	26
Shielded cables	26
Canada	27
Normes de sécurité (Canada)	27
DOC statement (Canada)	27
Korea	27
Korean EMI statement	27
Taiwan	27
Taiwanese EMI statement	27
China	27
Chinese EMI statement	27
Germany	28
Sound	28
Address	28
Declaration of Conformity (DoC No: BCLAA-0607-01)	28
declares that the product	28
conforms to the following product specifications	28
Additional information	29
Local contacts for regulatory topics only	29

1 Introduction

Thank you for purchasing the HP Designjet High Speed Dryer - 104 inch (hereafter called the dryer).

The dryer is used near the printer's paper outlet to dry the ink printed on the paper efficiently.

The dryer helps the printer to maximize its high-speed printing capability.

Features of the dryer:

- **Quick dry in response to high-speed printing**

Dries the paper by warm air from the paper outlet which is the paper path from the printer to the winding unit.

- **24-hour timer**

Sets drying time by the timer for up to 24 hours in units of one hour, allowing energy saving and highly efficient drying.



NOTE The dryer dries the paper, but it takes more time to dry the ink on the paper. If processes such as laminating are needed after printing, it is not recommended to do it just after the paper is discharged from the printer. Some paper types cannot dry completely even with the dryer. If this is the case, set a scan wait time from the operation panel of the printer.

Safety precautions

Warnings

Failure to follow these guidelines could result in serious personal injury or death.

- Use the power supply voltage specified on the nameplate. Doing otherwise may cause fire or electric shock.
- The operation of the dryer releases volatile organic compounds from the inks into the work area. Install and operate the dryer only in a well-ventilated area. In some cases, installing an extraction hood near the dryer may be necessary to remove ink fumes from the work area.
- Avoid overloading the printer's electrical outlet with multiple devices.
- Make sure the dryer is well grounded. If not, a short circuit may cause fire or electric shock.
- Do not disassemble or remodel the dryer. Do not repair the dryer yourself. Doing so may cause fire, electric shock, or other accidents.

- Do not damage, break, process, or heat the power cable. Using a damaged power cable may cause fire or electric shock.
- Do not remove the covers attached to the dryer because they contain high-voltage and extremely hot parts. Careless removal might result in an electric shock or burn.
- Never use the dryer in a place of extreme humidity or any place where it can possibly be splashed by any liquids. If any liquids get into the dryer, it could lead to fire, electric shock, or other serious accidents.
- Do not remove the covers attached to the dryer, because the dryer contains high-voltage and extremely hot parts. Removal might result in an electric shock or burn.
- Do not allow metal or liquids to touch the internal parts of the dryer, which may cause fire, electric shock, or other accidents.
- Do not disconnect or connect the power cable with wet hands. Doing so may lead to electric shock.
- Turn off the dryer and unplug the power cable from the power outlet in any of the following cases:
 - When placing your hands inside the dryer.
 - If there is smoke or an unusual smell coming from the dryer.
 - If the dryer is making an unusual noise not heard during normal operation.
 - If a piece of metal or a liquid (not part of cleaning and maintenance routines) touches internal parts of the dryer.
 - If an error code is displayed on the front panel that requires attention from a service engineer.
 - During an electrical (thunder/lightning) storm.
 - During a power failure.

Cautions

Failure to follow these guidelines could result in minor personal injury or damage to the product.

- Handle the dryer carefully because it is very heavy. If you drop it, it could cause personal injury.
- Hold the electric cable by the plug when connecting or disconnecting it. Failing to do so may cause the cable to fray or break which could lead to electric shock and/or fire.
- Do not install the dryer on an unsteady or inclining surface. If you drop the dryer or it falls over, it could cause personal injury.
- The dryer gets hot. Take care not to touch the hot parts to avoid being injured.

Handling precautions

Power supply

- Install the dryer near a power outlet that is easy to access.
- Do not connect the dryer to the power supply which connects a motor or other machines generating noise.

- The dryer operates on 180-253 V, 50/60 Hz AC power, single-phase. Ensure that the power outlet meets the voltage and current requirements of the dryer. See [Specifications](#) for details.
- Do not connect a number of cables to a single socket. The dryer should be connected to a single outlet.

Dryer

- Do not place things or lean on the dryer.
- Do not wipe the cover with benzene or thinner. The coating may peel off or discolor.

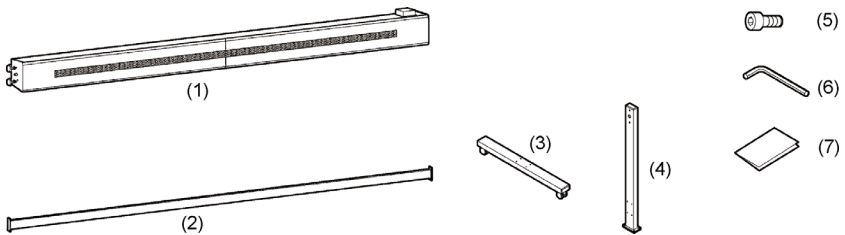
Wipe the surface of the cover lightly with a soft cloth. If the cover is dirty, wipe the surface with a cloth dipped in neutral detergent mixed with water and then squeezed firmly.

2 How to assemble the dryer

Please read the assembly instructions closely in order to assemble the dryer correctly.

Before assembly

The dryer package contains the parts shown below. Make sure that all parts are present before starting to assemble them.



1. Dryer unit
2. Support stay
3. Foot with castor (2)
4. Stand (2)
5. M5×12L hexagon socket head bolt (16)
6. Hexagon bar wrench
7. User's Guide

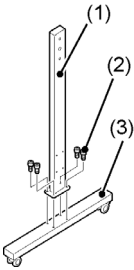


NOTE A power cable in compliance with the regional power specification is contained in the accessories.

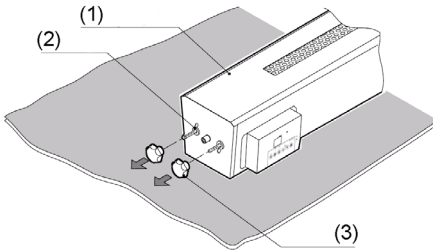
Assembly procedure

1. Put a cardboard or some other protective sheet on the floor in order to protect the surface of the dryer parts.

- Secure a foot (3) to each stand (1) with the hexagon socket head bolts (2).

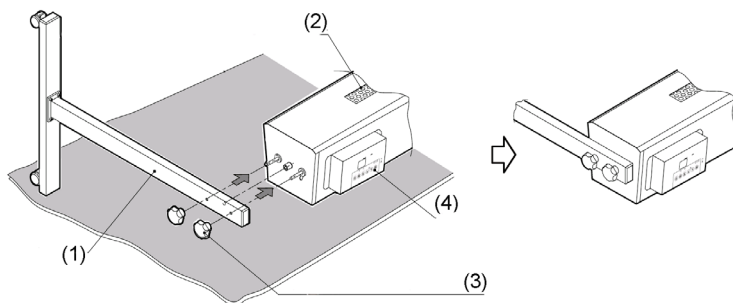


- Place the dryer unit (1) on the protective sheet with its air outlet face up.
- Remove knobs (3) (two at each side) from both ends of the dryer unit (1).



NOTE Do not remove the washers (2) from the dryer (1).

5. Secure the stands (1) to the dryer unit (2) with the knobs (3) (two at each side) as shown below.

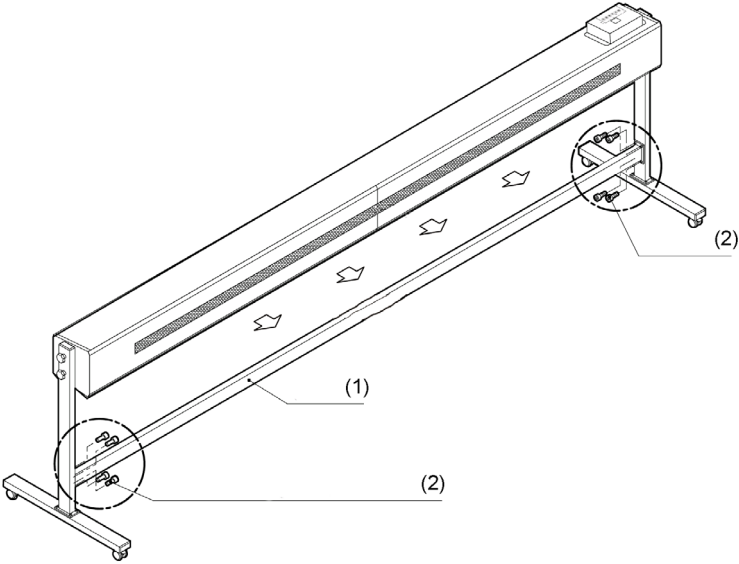


NOTE Attach the stands in such a way that the operation panel (4) on the dryer unit will be face up when the dryer is raised into its standing position.

Attach the stands in such a way that the holes in the stands face inwards; they will be used to attach the support stay.

6. When the stands are attached to the dryer unit, lift the whole dryer into the upright position, standing on its feet.

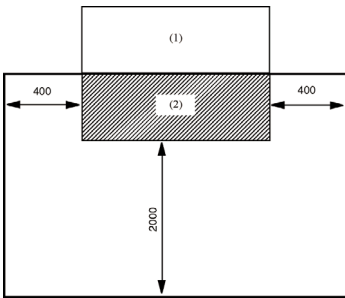
7. Secure the support stay (1) with four hexagon socket head bolts (2) at each side of the dryer unit. Check that all screws are tightly fastened.



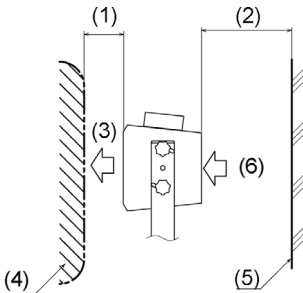
3 How to install the dryer

Installation space

The following diagram shows the printer (1), the dryer (2), and the free space that should be left around the dryer in millimeters. The height of the dryer is 870 mm.



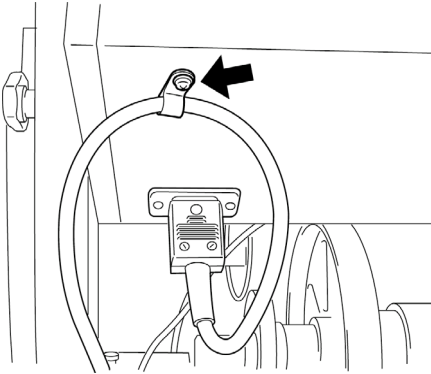
The dryer should be positioned at least 50 mm (1) from the paper emerging from the printer (4), with the air inlet (6) and outlet (3) positioned as shown below. The air inlet (6) should also be at least 300 mm (2) from any obstruction (5). Lock the castors after installing the dryer.



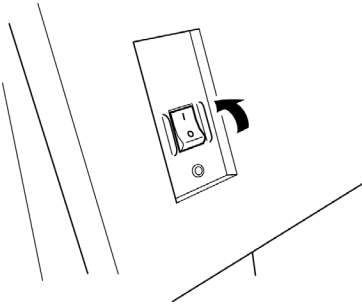
Power connection

1. After installing the dryer, connect the power cable to the dryer's power socket.

2. Open the power cable clamp, pass the power cable through the clamp, close the clamp, and then clamp the cable. This prevents accidental unplugging.

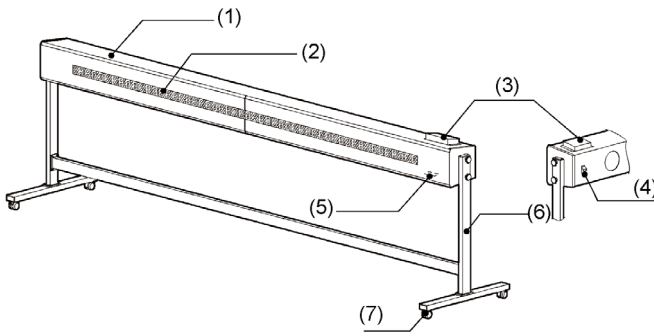


3. Confirm that the dryer's main power switch is off (O), then connect the other end of the power cable to a suitable power outlet (see [Specifications](#) for details).
4. Turn on the dryer's main power switch.



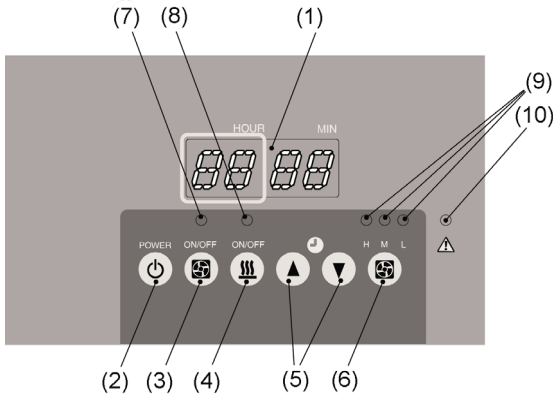
4 Dryer components

Main external components



1. Dryer unit
2. Warm air outlet
3. Operation panel
4. Power switch
5. AC inlet
6. Stand
7. Castor

Operation panel components



1. Display panel:
 - Indicates the remaining time on the timer.
 - Press Timer buttons (5) up or down to set the timer (from the minimum one hour to maximum 24 hours).
2. Power button:
 - Turns the dryer on or off.
 - If the Power button is turned off while the heater is operating, the fan continues to operate for three more minutes before the dryer eventually turns off.
3. Fan button: When switched on, air is blown out of the dryer.
4. Heater button: When switched on, warm air is blown out of the dryer.
5. Timer button:
 - Sets the timer.
 - Operation up to 24 hours can be set (the remaining time is indicated on the display panel).
 - The default value at the first power on is 10 hours.
6. Air Flow button:
 - Changes air flow of the fan and heater.
 - The air flow can be changed to High (H), Medium (M) or Low (L).
 - The default value at the first power on is High (H).
7. Fan lamp: This is lit while the fan is operating.
8. Heater lamp: This is lit while the heater is on.

9. Air flow lamp indicates the air flow from the fan at three levels: High (H), Medium (M) and Low (L).
10. Heater Error lamp: This is lit when the temperature of the top cover is too high.



CAUTION When the Heater Error lamp comes on, press the heater button to stop warm air operation, and blow air at the maximum flow level (H) for 10 minutes to cool the inside of the dryer. After the dryer cools down, turn off the dryer using the main power switch, then contact our service center.

Do not touch the dryer soon after turning it off as the dryer will still be hot.

5 How to use the dryer

Basic operating procedure

1. Press the Power button (2) to switch on the dryer (the operation panel and air flow lamp come on).
2. Press the Heater button (4) to set the operation mode (the Fan lamp (7) and the Heater lamp (8) will come on).
 - If the Fan button (3) has been pressed before the Heater button (4), you will not be able to turn on the heater by pressing the Heater button (4). You must press the Fan button (3) again (so the Fan lamp (7) goes off) and then press the Heater button (4) so that hot air operation starts (both the Fan lamp (7) and the Heater lamp (8) should come on).
 - Warm air operation can be restarted by pressing the Heater button (4) while the fan is turning for three minutes after the heater has been switched off.
3. The timer is used to set the operation time of the dryer. It can be set to a time of up to 24 hours.
 - The default setting of the timer is 10 hours.
 - You cannot change the time on the timer during the three minute cooling-off period.



NOTE When the remaining time on the timer reaches 0, warm air from the fan will stop. The fan will continue to operate for an additional three minutes in order to cool the dryer after the warm air stops.

4. Press the Air Flow button (6) to adjust the air flow of the fan.
5. Press the Heater button (4) to stop warm air operation. The fan will operate for an additional three minutes after warm air stops.
6. Turn off the main power switch to terminate operation.



NOTE The fan will continue to operate for an additional three minutes even when the Power button (2) has been pressed without first switching off the heater (using the Heater button (4)).



CAUTION Do not sit on the dryer or lean heavily on it. It is not strong enough to support your weight.

Do not turn off the main power switch until the fan has finished its three-minute cooling-off period after the heater stops. When the main power switch is turned off, the fan stops turning, resulting in an increase in internal temperatures due to the remaining heat of the heater. This may damage the dryer. In addition heated surface may cause burns. If the main power switch is accidentally turned off, or the power cable pulled out, turn on the power again and run the fan with the air flow set to high for at least five minutes to cool down the dryer.

If the power cable is accidentally disconnected, do not touch the dryer, which will still be hot.

The ink does not dry immediately. Take care that freshly-printed paper does not touch anything.

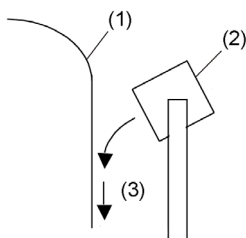
The printed paper may be damaged if the dryer is too close to it. Make sure the dryer is at least 50 mm from the paper.

If the dryer's air inlet becomes clogged with dust, the internal temperature will rise, which may cause a failure. Clean the air inlet at regular intervals.

Efficient use of the dryer

Direction of warm air

Set the body of the dryer pointing slightly downward as shown below. Drying efficiency increases with warm air blowing along the surface of the paper.



1. Paper
2. Dryer
3. Warm air

Airflow setting

Air flow can be set to one of three levels. The dryer uses a constant conduction heater, and accordingly temperature drops as air flow increases, or rises as air flow decreases. To improve the drying efficiency, high air flow (H) is recommended during warm air operation.

When room temperature is low

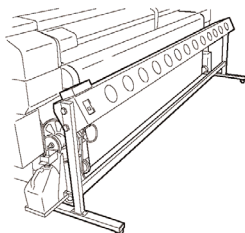
Always turn on the heater to keep air from the dryer at room temperature +10 to 20 °C. Raising the temperature to a certain level is required to dry the printed paper. Room temperature should be kept at 20 °C or more to increase drying efficiency.

Paper setting with or without the take-up-reel unit

Paper settings with or without the take-up-reel unit are shown below.

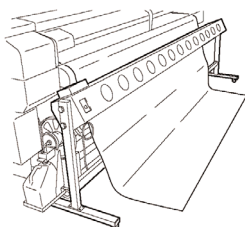
- **With take-up-reel unit:**

Determine the location relative to the dryer as shown in the figure below.



- **Without take-up-reel unit:**

Pull out the paper through the legs of the dryer as shown in the figure below.



NOTE Avoid pulling out the paper too much as the printed surface may touch the dryer.

6 Maintenance and cleaning

Maintenance

The dryer should be inspected periodically for defects. If defects are found, they can be repaired by on-site service or, if necessary, at a service center.

Cleaning

If the surface of the dryer becomes extremely dirty, you can wipe it with a soft cloth dipped in water and neutral detergent and squeezed tightly.



CAUTION Turn off the dryer's power switch before cleaning.

Do not use thinner, benzene, or other non-volatile solvents for cleaning the dryer: they may cause the dryer's surface coating to peel or discolor.

7 Specifications

Item	Specification
Dimensions	3310 (W) x 610 (D) x 870 (H) mm
Weight	60 kg or less
Color	Carbonite Black
Maximum paper width	2600 mm
Heater type	Sheathed heater
Warm-up time	10 minutes or less
Paper path	Winding or straight output
Warm air temperature	Ambient temperature + 10°C or more
Fan flow control	Three levels: High, Medium or Low
Timer	Range: 1 to 24 hours (unit: 1 hour) (Error: ± 1%/h)
Acquired regulations and standards	EN55022 Class A FCC Part 15B Class A VCCI Class A CSA CE
Power consumption	3300 W or less
Input power voltage	180 to 253 VAC
Input power frequency	50/60 Hz ± 1 Hz
Instantaneous power failure	20 msec. or more

Item	Specification
Inrush current	35 A or less
Grounding	D class grounding (The 3rd class grounding)
Operating temperature and humidity range	Temperature: 15 to 30°C Humidity: 30 to 70%RH (no condensation)
Storage temperature and humidity range	Temperature: 5 to 35°C Humidity: 10 to 80%RH (no condensation)
Dust level	Equivalent to office environments.
Ventilation	Ventilation facilities are recommended for deodorization.
Installation space	Outlet: 50 mm or more Inlet: 300 mm or more

8 Legal information

Limited Warranty—HP Designjet High Speed Dryer - 104 inch

HP product	Limited Warranty Period
Hardware product	1 year from the date of hardware's purchase by the customer

A. Extent of HP Limited Warranty

1. This Hewlett-Packard (HP) Limited Warranty gives you, the end-customer, express limited warranty rights from HP. In addition, you may also have other legal rights under the applicable local law or special written agreement with HP.
2. HP warrants to you that the HP products specified above will be free from defects in materials and workmanship during the Limited Warranty Period specified above. The Limited Warranty Period starts on the date of purchase. Your dated sales or delivery receipt, showing the date of purchase of the product, is your proof of purchase date. You may be required to provide proof of purchase as a condition of receiving warranty service. You are entitled to warranty service according to the terms and conditions of this document if a repair or replacement of your HP Products is required within the Limited Warranty Period.
3. For software products, HP's Limited Warranty applies only to a failure to execute programming instructions. HP does not warrant that the operation of any product will be uninterrupted or error free.
4. HP's Limited Warranty covers only those defects that arise as a result of normal use of the HP products as defined in the user's guide, and does not apply to any:
 - a. Improper or inadequate maintenance;
 - b. Interfacing or parts not provided or supported by HP; or
 - c. Operation outside the product's specifications.

Routine maintenance operations in the HP Designjet High Speed Dryer - 104 inch, such as cleaning and preventive maintenance services (including parts contained in any preventive maintenance kit and HP service engineer visits), are not covered by HP's Limited Warranty.

5. Your exclusive remedies for defective HP products are the following:
 - a. During the Limited Warranty Period, HP will replace any defective HP consumable product that is covered by this Limited Warranty, and deliver another product to you to replace the defective one.
 - b. During the Limited Warranty Period, HP, at its sole discretion, shall either repair on site or replace any defective hardware product or component part. If HP elects to replace any component part, HP will provide to you (i) a replacement part, in return for the defective one, and (ii) remote part installation assistance, if needed.
 - c. In the unlikely event that HP is unable to repair or replace, as applicable, a defective product that is covered by this Limited Warranty, HP shall, within a reasonable time after being notified of the defect, refund the purchase price for the product.
6. HP shall have no obligation to replace or refund until you return the defective hardware product or component part to HP. All components, parts, or hardware products removed under this Limited Warranty become the property of HP. Notwithstanding the above mentioned, HP may waive the requirement for you to return the defective part.
7. Unless otherwise stated, and to the extent permitted by local law, HP products may be manufactured using new materials or new and used materials equivalent to new in performance and reliability. HP may repair or replace products (i) with equivalent products to the products being repaired or replaced but which may have been subject to prior use; or (ii) with an equivalent product to an original product that has been discontinued.
8. THIS LIMITED WARRANTY IS APPLICABLE IN ALL COUNTRIES AND MAY BE ENFORCED IN ANY COUNTRY WHERE HP OR ITS AUTHORIZED SERVICE PROVIDERS OFFER WARRANTY SERVICE AND HP HAS MARKETED THIS PRODUCT, SUBJECT TO THE TERMS AND CONDITIONS SET FORTH IN THIS LIMITED WARRANTY. HOWEVER, WARRANTY SERVICE AVAILABILITY AND RESPONSE TIME MAY VARY FROM COUNTRY TO COUNTRY. HP WILL NOT ALTER FORM, FIT, OR FUNCTION OF THE PRODUCT TO MAKE IT OPERATE IN A COUNTRY FOR WHICH IT WAS NEVER INTENDED TO FUNCTION FOR LEGAL OR REGULATORY REASONS.
9. Contracts for additional services may be available for any authorized HP service facility where the listed HP product is distributed by HP or an authorized importer.
10. TO THE EXTENT ALLOWED BY LOCAL LAW, EXCEPT AS EXPRESSLY SET FORTH IN THIS LIMITED WARRANTY NEITHER HP NOR ITS THIRD PARTY SUPPLIERS MAKE ANY OTHER WARRANTY OR CONDITION OF ANY KIND, WHETHER EXPRESS OR IMPLIED, WITH RESPECT TO THE HP PRODUCTS, AND SPECIFICALLY DISCLAIM THE IMPLIED WARRANTIES OR CONDITIONS OF MERCHANTABILITY, SATISFACTORY QUALITY, AND FITNESS FOR A PARTICULAR PURPOSE.

B. Limitations of liability

TO THE EXTENT ALLOWED BY LOCAL LAW, EXCEPT FOR THE OBLIGATIONS SPECIFICALLY SET FORTH IN THIS LIMITED WARRANTY, IN NO EVENT SHALL HP OR ITS THIRD PARTY SUPPLIERS BE LIABLE FOR DIRECT, INDIRECT, SPECIAL, INCIDENTAL, OR CONSEQUENTIAL DAMAGES (INCLUDING ANY LOSS OF PROFITS OR SAVINGS), WHETHER BASED ON CONTRACT, TORT, OR ANY OTHER LEGAL THEORY AND WHETHER ADVISED OF THE POSSIBILITY OF SUCH DAMAGES.

C. Local law

1. This Limited Warranty gives you specific legal rights. You may also have other rights which vary from state to state in the United States, from province to province in Canada, and from country to country elsewhere in the world. You are advised to consult applicable state, province, or national laws for full determination of your rights.
2. To the extent that this Warranty Statement is inconsistent with local law, this Warranty Statement shall be deemed modified to be consistent with such local law. THE WARRANTY TERMS CONTAINED IN THIS LIMITED WARRANTY, EXCEPT TO THE EXTENT LAWFULLY PERMITTED, DO NOT EXCLUDE, RESTRICT, OR MODIFY AND ARE IN ADDITION TO THE MANDATORY STATUTORY RIGHTS APPLICABLE TO THE SALE OF THIS PRODUCT TO YOU.

Revision: July 21st, 2006

Regulatory notices

Regulatory Model Number

For regulatory identification purposes, HP has assigned a Regulatory Model Number (RMN). The Regulatory Model Number for your product is as follows:

RMN	Product family
BCLAA-0607	HP Designjet High Speed Dryer - 104 inch

The Regulatory Model Number (RMN) should not be confused with the marketing name (HP Designjet High Speed Dryer - 104 inch) or product number.

Regulatory statements

Europe



WARNING! This is a class A product. In a domestic environment this product may cause radio interference, in which case the user may be required to take adequate measures.

USA

Electro-Magnetic Compatibility (EMC)

FCC statements (U.S.A.)

The U.S. Federal Communications Commission (in 47 cfr15.105) has specified that the following notices be brought to the attention of users of this product.

Shielded cables

Use of shielded data cables is required to comply with the Class A limits of Part 15 of the FCC Rules.



CAUTION Pursuant to Part 15.21 of the FCC Rules, any changes or modifications to this equipment not expressly approved by the Hewlett-Packard Company may cause harmful interference and void the FCC authorization to operate this equipment.

This equipment has been tested and found to comply with the limits for a Class A digital device, pursuant to part 15 of the FCC Rules. These limits are designed to provide reasonable protection against harmful interference in a commercial environment. This equipment generates, uses, and can radiate radio frequency energy and, if not installed and used in accordance with the instructions, may cause harmful interference to radio communications. Operation of this equipment in a residential area is likely to cause harmful interference, in which case users will be required to correct the interference at their own expense.

Canada

Normes de sécurité (Canada)

Le présent appareil numérique n'émet pas de bruits radioélectriques dépassant les limites applicables aux appareils numériques de Classe A prescrites dans le règlement sur le brouillage radioélectrique édicté par le Ministère des Communications du Canada.

DOC statement (Canada)

This digital apparatus does not exceed the Class A limits for radio noise emissions from digital apparatus set out in the Radio Interference Regulations of the Canadian Department of Communications.

Korea

Korean EMI statement

사용자 안내문 : A 급 기기

이 기기는 업무용으로 전자파적합등록을 받은 기기이오니, 판매자 또는 사용자는 이 점을 주의 하시기 바라며, 만약 잘못 구입 하셨을 때에는 구입한 곳에서 비업무용으로 교환 하시기 바랍니다.

Taiwan

Taiwanese EMI statement

警告使用者:這是甲類的資訊產品,在居住的環境中使用時,可能會造成射頻干擾,在這種情況下,使用者會被要求採取某些適當的對策。

China

Chinese EMI statement

此为A级产品,在生活环境中,该产品可能会造成无线电干扰。在这种情况下,可能需要用户对其干扰采取切实可行的措施。

Germany

Sound

Geräuschemission (Germany) LpA < 70 dB, am Arbeitsplatz, im Normalbetrieb, nach DIN45635 T. 19.

Address

Hewlett-Packard Company

Manager of Corporate Product Regulations

3000 Hanover Street

Palo Alto, CA 94304

650/857-1501

Declaration of Conformity (DoC No: BCLAA-0607-01)

according to ISO/IEC 17050-1 and EN 17050-1

Supplier's name:	Hewlett-Packard Company
Supplier's address:	Avenida Graells, 501 08174 Sant Cugat del Vallès Barcelona, Spain

declares that the product

Regulatory Model Number ⁽²⁾ :	BCLAA-0607
Product family:	HP Designjet High Speed Dryer - 104 inch
Product options:	All

conforms to the following product specifications

Safety:	IEC 60950-1:2001 / EN 60950-1:2001
EMC:	CISPR 22:1997+A1:2000+A2:2002 EN 55022:04 +A1:1995 +A2:1997 Class A ⁽¹⁾⁽³⁾ EN 55024:1998+A1:2001+A2:2003 EN 61000-3-2:2000 / IEC 61000-3-3:2000 EN 61000-3-3:1995+A1:2001 / IEC 61000-3-3 / A1:2001 FCC Title 47 CFR, Part 15 Class A ⁽²⁾⁽³⁾

Additional information

The product herewith complies with the requirements of the Low-Voltage Directive 73/23/EEC and the EMC Directive 89/336/EEC, and carries the CE marking accordingly.

1. The product was tested in a typical configuration with HP Personal Computer Systems and peripherals.
2. This device complies with Part 15 of the FCC Rules. Operation is subject to the following two conditions:
 - This device may not cause harmful interference.
 - This device must accept any interference received, including interference that may cause undesired operation.
3. The product is assigned a Regulatory Model Number which stays with the regulatory aspect of the design. The Regulatory Model Number is the main product identifier in the regulatory documentation and test reports; this number should not be confused with the marketing name or the product numbers.



Josep-Maria Pujol

Hardware Quality Manager

Sant Cugat del Vallès (Barcelona)

June 12th, 2006

Local contacts for regulatory topics only

Contact in Europe: Hewlett-Packard GmbH, HQ-TRE, Herrenberger Strasse 140, 71034 Böblingen, Germany.

Contact in the USA: Hewlett-Packard Company, HPCC, 20555 S.H. 249 Houston, Texas 77070, USA.

Contact in Australia: Hewlett-Packard Australia Ltd, Product Regulations Manager, 31–41 Joseph Street, Blackburn, Victoria 3130, Australia.

HP Designjet 고속 건조기 - 104인치

사용 설명서



법적 고지사항

본 설명서에 수록된 정보는 예고없이 변경될 수 있습니다.

HP 제품 및 서비스에 대한 유일한 보증은 제품 및 서비스에 제공되는 제한 보증서에 명시되어 있습니다. 본 설명서에서 추가 보증을 유추 해석할 수 없습니다. HP는 본 설명서에 포함된 기술적, 편집적 오류 또는 누락에 대해 책임지지 않습니다.

목차

1 소개	
안전 주의 사항	1
경고	1
주의 사항	2
취급 주의 사항	3
전원 공급	3
건조기	3
2 건조기 조립 방법	
조립 전	5
조립 절차	5
3 건조기 설치 방법	
설치 공간	9
전원 연결	10
4 건조기 구성 요소	
주요 외부 구성 요소	11
조작 패널 구성 요소	12
5 건조기 사용 방법	
기본 작동 절차	15
효율적인 건조기 사용법	16
따뜻한 공기의 방향	16
공기량 설정	16
방 온도가 낮을 경우	17
용지 되감개 장치 유무에 따른 용지 설정	17
6 유지보수 및 청소	
유지보수	19
청소	19
7 사양	
8 법적 정보	
법적 정보—HP Designjet 고속 건조기 - 104인치	23

A. HP 제한 보증 연장	23
B. 책임 한도	24
C. 현지법	24
Regulatory notices	25
Regulatory Model Number	25
Regulatory statements	25
Europe	25
USA	25
Electro-Magnetic Compatibility (EMC)	25
FCC statements (U.S.A.)	25
Shielded cables	25
Canada	26
Normes de sécurité (Canada)	26
DOC statement (Canada)	26
Korea	26
Korean EMI statement	26
Taiwan	26
Taiwanese EMI statement	26
China	26
Chinese EMI statement	26
Germany	27
Sound	27
Address	27
Declaration of Conformity (DoC No: BCLAA-0607-01)	27
declares that the product	27
conforms to the following product specifications	27
Additional information	28
Local contacts for regulatory topics only	28

1 소개

HP Designjet 고속 건조기 - 104인치(이하 건조기)를 구입해 주셔서 감사합니다.

건조기는 프린터의 용지 배출구 근처에 있으며 용지에 인쇄된 잉크를 효율적으로 건조하는 데 사용됩니다.

건조기를 통해 프린터에서 고속 인쇄 기능을 최대로 활용할 수 있습니다.

건조기의 기능은 다음과 같습니다.

- **고속 인쇄에 적합한 빠른 건조**

프린터에서 감기 장치까지의 용지 경로인 용지 배출구에서 따뜻한 공기로 용지를 건조합니다.

- **24시간 타이머**

타이머에서 건조 시간을 최대 30시간(1시간 단위)까지 설정하여 에너지를 절약하고 건조 효율을 높입니다.



주 건조기는 용지를 건조하지만 용지의 잉크를 건조하는 데 더 많은 시간이 소요됩니다. 인쇄 후 라미네이팅과 같은 프로세스가 필요한 경우 프린터에서 용지가 배출된 후 바로 수행하지 않는 것이 좋습니다. 건조기를 통해서 완전히 건조할 수 없는 용지 유형도 있습니다. 이 경우 프린터의 조작 패널에서 스캔 대기 시간을 설정하십시오.

안전 주의 사항

경고

다음 지침을 따르지 않을 경우 중상을 입거나 인명 사고가 발생할 수 있습니다.

- 스티커에 지정된 전원 공급 전압을 사용하십시오. 이와 같이 하지 않을 경우 화재나 감전 사고가 발생할 수 있습니다.
- 건조기 작동 시 잉크의 휘발성 유기 화합물이 방출됩니다. 건조기는 통풍이 잘 되는 장소에만 설치 및 작동하십시오. 경우에 따라 건조기 가까이에 배출 후드를 설치하여 작업장에서 잉크 가스를 제거해야 할 수 있습니다.
- 프린터의 전기 콘센트에 여러 장치를 연결하여 과부하되지 않도록 하십시오.
- 건조기가 올바르게 접지되어 있는지 확인하십시오. 올바르게 접지되어 있지 않으면 합선으로 인해 화재나 감전 사고가 발생할 수 있습니다.

- 건조기를 분해하거나 개조하지 마십시오. 건조기를 직접 수리하지 마십시오. 이 경우 화재나 감전 또는 기타 사고가 발생할 수 있습니다.
- 전원 케이블에 손상을 입히거나 끊거나 열을 가하지 마십시오. 손상된 전원 케이블을 사용할 경우 화재 또는 감전 사고가 발생할 수 있습니다.
- 건조기에는 고압 및 매우 열이 많은 부품이 들어 있으므로 건조기에 부착된 덮개를 분리하지 마십시오. 부주의한 분리는 감전이나 화재를 발생시킬 수 있습니다.
- 습도가 높은 장소나 액체가 될 수 있는 장소에서 건조기를 사용하지 마십시오. 액체가 건조기에 들어가면 화재, 감전 또는 기타 심각한 사고가 발생할 수 있습니다.
- 건조기에는 고압 및 매우 열이 많은 부품이 들어 있으므로 건조기에 부착된 덮개를 분리하지 마십시오. 분리는 감전이나 화재를 발생시킬 수 있습니다.
- 금속 또는 액체가 건조기의 내부 부품에 닿지 않도록 하십시오. 이 경우 화재나 감전 또는 기타 사고가 발생할 수 있습니다.
- 젖은 손으로 전원 케이블을 분리하거나 연결하지 마십시오. 손의 물기로 감전될 수 있습니다.
- 다음과 같은 경우에는 건조기의 전원을 끄고 전원 콘센트에서 전원 케이블을 뽑으십시오.
 - 프린터 내부에 손을 넣을 경우
 - 건조기에서 연기가 나거나 이상한 냄새가 나는 경우
 - 건조기가 정상적으로 작동하는 동안에는 들리지 않았던 이상한 소리가 나는 경우
 - 청소 및 유지보수 작업의 일부가 아닌 금속 조각이나 액체가 건조기의 내부 부품에 닿은 경우
 - 서비스 엔지니어가 주목해야 할 오류 코드가 전면 패널에 표시되는 경우
 - 뇌우(천둥/번개) 시
 - 정전 시

주의 사항

다음 지침을 따르지 않을 경우 경상을 입거나 제품이 손상될 수 있습니다.

- 건조기는 매우 무거우므로 조심해서 다루십시오. 떨어뜨릴 경우 부상을 입을 수 있습니다.
- 전기 케이블을 연결 또는 분리할 경우 전기 케이블의 플러그 부분을 잡으십시오. 플러그를 잡지 않을 경우 케이블이 마모되거나 끊어져서 감전 또는 화재가 발생할 수 있습니다.
- 건조기를 견고하지 않거나 기울어진 곳에 설치하지 마십시오. 건조기가 떨어질 경우 부상을 입을 수 있습니다.
- 건조기는 작동하면서 열이 납니다. 뜨거운 부품에 닿아 화상을 입지 않도록 주의하십시오.

취급 주의 사항

전원 공급

- 전원 콘센트가 가까이 있는 곳에 건조기를 설치하십시오.
- 건조기를 소음이 발생하는 모터 또는 기타 기계에 연결된 전원 공급 장치에 연결하지 마십시오.
- 건조기는 **180-253V, 50/60Hz AC** 전원, 단상에서 작동합니다. 전원 콘센트가 건조기의 전압 및 전류 요구 사항에 맞는지 확인하십시오. 자세한 내용은 **시양** 을 참조하십시오.
- 하나의 소켓에 여러 케이블을 연결하지 마십시오. 조기는 단일 콘센트에 연결해야 합니다.

건조기

- 건조기에 물건을 두거나 기대지 마십시오.
- 벤젠이나 희석제로 덮개를 닦지 마십시오. 코팅이 벗겨지거나 색이 바랄 수 있습니다.

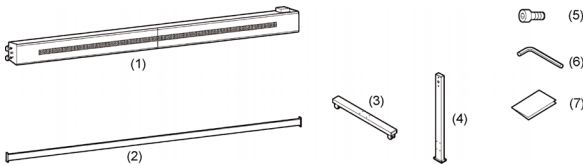
부드러운 천으로 덮개 표면을 가볍게 닦으십시오. 덮개가 더러워지면, 중성 세제를 푼 물에 적신 다음 물기를 완전히 짜낸 천으로 닦으십시오.

2 건조기 조립 방법

건조기를 올바르게 조립하려면 조립 지침을 자세히 읽으십시오.

조립 전

건조기 패키지는 아래 그림과 같은 부품이 들어 있습니다. 조립을 시작하기 전에 모든 부품이 있는지 확인하십시오.



1. 건조기 장치
2. 지지대
3. 바퀴가 달린 다리(2)
4. 스탠드(2)
5. M5×12L 육각 소켓 헤드 볼트(16)
6. 육각 렌치
7. 사용 설명서

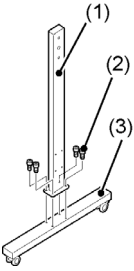


주 부속품에는 해당 지역 전원 사양에 맞는 전원 케이블이 포함되어 있습니다.

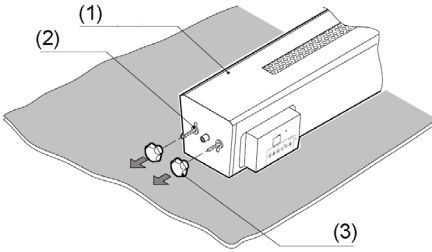
조립 절차

1. 건조기 부품 표면을 보호하기 위해 판지나 다른 보호지를 바닥에 깔니다.

2. 육각 소켓 헤드 볼트(2)를 사용하여 다리(3)를 각 스탠드(1)에 고정시킵니다.

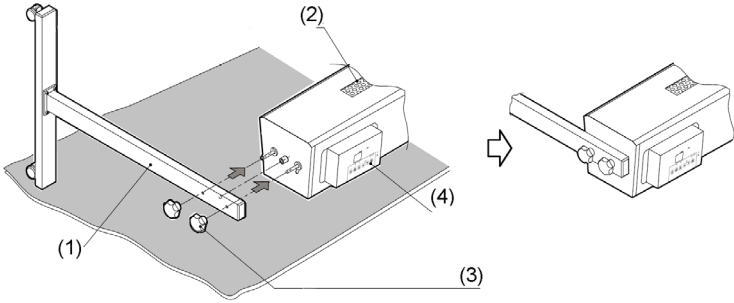


3. 건조기 장치(1)를 공기 배출구가 위로 향하도록 하여 보호지 위에 놓습니다.
4. 건조기 장치(1) 양 끝에서 노브(3)(한 쪽에 두 개씩)를 떼어 냅니다.



주 건조기(1)에서 와셔(2)를 제거하지 마십시오.

5. 아래 그림과 같이 노브(3)(한 쪽에 두 개씩)를 사용하여 스탠드(1)를 건조기 장치(2)에 고정시킵니다.

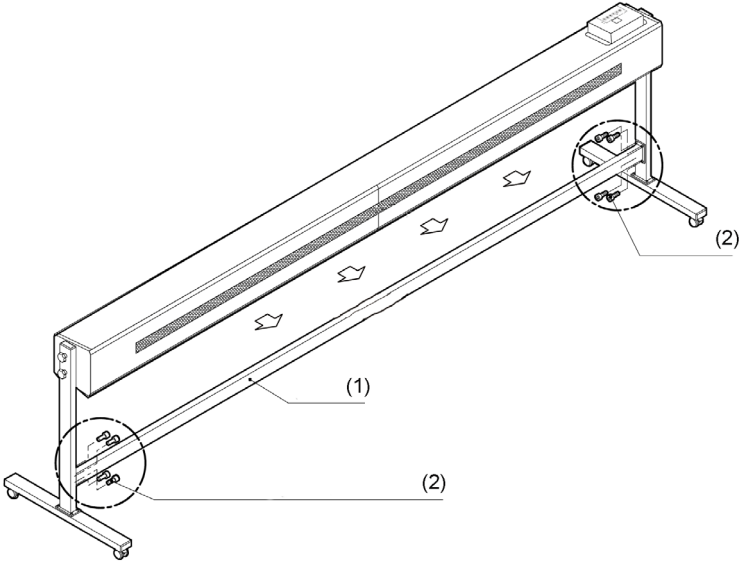


주 건조기를 세웠을 때 건조기 장치의 조작 패널(4)이 위쪽을 향하도록 스탠드를 연결하십시오.

지지대를 연결하는 데 사용되는 스탠드에 있는 구멍이 안쪽을 향하도록 스탠드를 연결하십시오.

6. 건조기 장치에 스탠드를 연결했다면 건조기를 다리로 지탱하도록 똑바로 세웁니다.

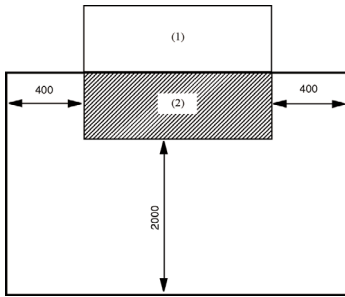
7. 건조기 장치 양쪽에서 네 개의 육각 소켓 헤드 볼트(2)를 사용하여 지지대(1)를 고정시킵니다. 모든 나사가 단단히 조여졌는지 확인하십시오.



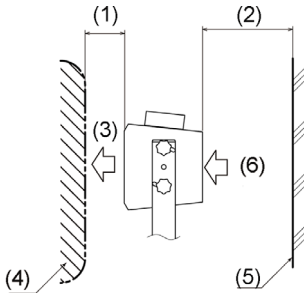
3 건조기 설치 방법

설치 공간

다음 그림은 프린터(1)와 건조기(2), 그리고 건조기 둘레의 여유 공간(밀리미터)을 보여 줍니다. 건조기의 높이는 870mm입니다.

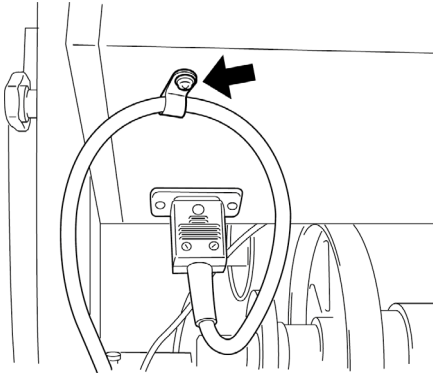


건조기는 프린터에서 배출되는 용지(4)에서 50mm(1) 이상 떨어져 있어야 하며, 공기 유입구(6)와 배출구(3)가 아래와 같이 배치되어 있어야 합니다. 공기 유입구(6)는 모든 장애물(5)에서 최소 300mm(2) 떨어져 있어야 합니다. 건조기 설치 후 바퀴를 잠그십시오.

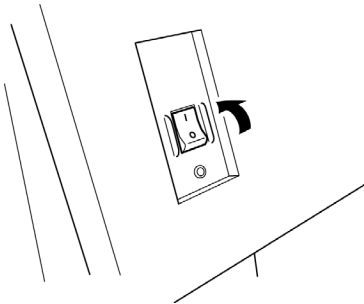


전원 연결

1. 건조기를 설치한 후 건조기의 전원 소켓에 전원 케이블을 연결합니다.
2. 전원 케이블 클램프를 열고 전원 케이블을 클램프에 통과시킨 다음, 클램프를 닫고 케이블을 클램프로 조입니다. 이렇게 하면 플러그가 뽑히지 않도록 방지합니다.

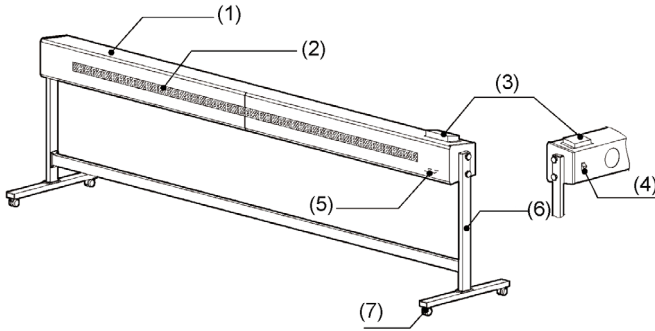


3. 건조기의 전원 스위치가 꺼져 있는지(O) 확인한 다음 전원 케이블의 다른 쪽 끝을 적절한 전원 콘센트에 연결합니다(자세한 내용은 [사양](#) 을 참조하십시오).
4. 건조기의 전원 스위치를 켭니다.



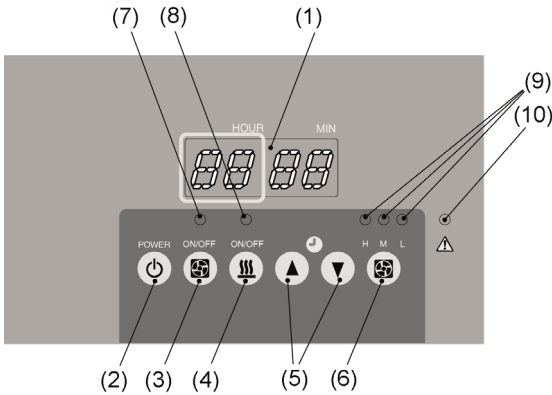
4 건조기 구성 요소

주요 외부 구성 요소



1. 건조기 장치
2. 따뜻한 공기 배출구
3. 조작 패널
4. 전원 스위치
5. AC 유입구
6. 스탠드
7. 바퀴

조작 패널 구성 요소



1. 디스플레이 패널:
 - 타이머의 남은 시간을 나타냅니다.
 - 타이머 버튼을 위 또는 아래로 눌러서 타이머를 설정하십시오(최소 1시간에서 최대 24시간).
2. 전원 버튼:
 - 건조기 전원을 켜거나 끕니다.
 - 히터가 작동하는 중에 전원 버튼이 꺼질 경우 팬은 건조기가 완전히 꺼지기 전에 3분 더 작동합니다.
3. 팬 버튼: 스위치가 켜져 있을 경우 공기가 건조기 밖으로 배출됩니다.
4. 히터 버튼: 스위치가 켜져 있을 경우 따뜻한 공기가 건조기 밖으로 배출됩니다.
5. 타이머 버튼:
 - 타이머를 설정합니다.
 - 최대 24시간 설정할 수 있습니다(남은 시간이 디스플레이 패널에 표시됩니다).
 - 전원이 켜질때의 기본값은 10시간입니다.
6. 공기량 버튼:
 - 팬 및 히터의 공기량을 변경합니다.
 - 공기량은 최대(H), 중간(M), 최소(L)로 변경할 수 있습니다.
 - 전원이 켜질때의 기본값은 최대(H)입니다.
7. 팬 램프: 팬이 작동하는 동안 켜져 있습니다.

8. 히터 램프: 히터가 작동하는 동안 켜져 있습니다.
9. 공기량 램프는 세 단계로 팬의 공기량을 표시합니다- 최대(H), 중간(M), 최소(L).
10. 히터 오류 램프: 상단 덮개의 온도가 너무 높을 경우 켜집니다.



주의 히터 오류 램프에 불이 들어 올 경우, 히터 버튼을 눌러 따뜻한 공기 작동을 멈추고 10분동안 공기를 최대 공기량 레벨(H)로 배출해서 건조기 내부를 식히십시오. 건조기가 식으면 전원 스위치를 사용해서 건조기 전원을 꺼고 서비스 센터에 문의하십시오.

전원을 끈 직후에는 건조기가 뜨거우므로 건조기를 만지지 마십시오.

5 건조기 사용 방법

기본 작동 절차

1. 전원 버튼(2)을 눌러 건조기 스위치를 켜십시오(조작 패널 및 공기량 램프에 불이 들어 옵니다).
2. 히터 버튼(4)을 눌러 작동 모드를 설정하십시오(팬 램프(7) 및 히터 램프(8)에 불이 들어 옵니다).
 - 히터 버튼(4)을 누르기 전에 팬(3) 버튼을 누를 경우 히터 버튼을 눌러서 히터를 켤 수 없습니다. 반드시 팬 버튼(3)을 다시 누르고(팬 버튼(7) 꺼짐) 히터 버튼(4)을 누르면 뜨거운 공기 작동이 시작됩니다(팬 램프(7) 및 히터 램프(8) 둘 다에 불이 들어 와야 합니다).
 - 히터 전원이 꺼진 후 3분 동안 팬이 작동할 동안 따뜻한 공기 작동을 히터 버튼(4)을 눌러 다시 시작할 수 있습니다.
3. 타이머는 건조기의 작동 시간을 설정하는 데 사용됩니다. 시간을 1시간에서 최대 24시간까지 설정할 수 있습니다.
 - 타이머의 기본 설정값은 10시간입니다.
 - 건조기를 냉각하는 3분동안 타이머의 시간을 변경할 수 없습니다.



주 타이머의 남은 시간이 0에 도달하면 팬에서 따뜻한 공기가 멈춥니다. 따뜻한 공기가 멈춘 후 건조기를 냉각하는 추가 3분동안 팬은 계속해서 작동합니다.

4. 공기량 버튼(6)을 눌러 팬의 공기량을 조정합니다.
5. 히터 버튼(4)을 눌러 따뜻한 공기 작동을 멈춥니다. 팬은 따뜻한 공기가 멈춘 후 추가 3분동안 작동됩니다.
6. 전원 스위치를 꺼서 작동을 종료합니다.



주 우선 히터 전원을 꺼지 않고 전원 버튼(2)을 눌렀을 때도 팬은 계속해서 추가 3분동안 작동합니다.



주의 건조기에 얹거나 기대지 마십시오. 사용자의 무게를 지탱할 정도로 견고하지 않습니다.

히터가 멈춘 후 팬이 3분동안 냉각을 완료할 때까지 전원 스위치를 꺼지 마십시오. 전원 스위치를 꺼면 히터의 남아있는 열때문에 내부 온도가 상승하면서 팬이 멈춥니다. 내부 온도가 상승하면 건조기를 손상시킬 수 있습니다. 또한 뜨거운 표면에 화상을 입을 수 있습니다. 우연히 전원 스위치가 꺼지거나 전원 케이블이 뽑혔을 경우 전원을 다시 켜고 공기량을 최대로 설정 후 팬을 최소 5분동안 작동시켜서 건조기를 냉각시키십시오.

우연히 전원 케이블이 분리되었을 경우 건조기는 여전히 뜨거우므로 만지지 마십시오.

잉크는 즉시 건조되지 않습니다. 방금 인쇄한 용지가 다른 것에 닿지 않도록 조심하십시오.

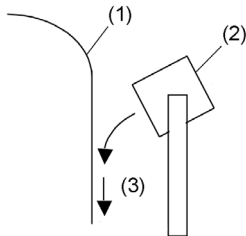
건조기와 용지 사이가 너무 가까우면 인쇄된 용지가 손상될 수 있습니다. 건조기는 용지에서 최소한 50mm 이상 떨어져 있어야 합니다.

건조기의 공기 유입구가 먼지로 막히게 되면 내부 온도가 높아져서 고장의 원인이 될 수 있습니다. 공기 유입구를 정기적으로 청소하십시오.

효율적인 건조기 사용법

따뜻한 공기의 방향

아래 그림과 같이 건조기 본체가 약간 아래쪽을 가리키도록 설치하십시오. 따뜻한 공기가 용지 표면을 따라 흐르면 효과적으로 건조시킬 수 있습니다.



1. 용지
2. 건조기
3. 따뜻한 공기

공기량 설정

공기량은 3 단계 중 하나로 설정할 수 있습니다. 건조기는 일정 전도형 히터를 사용하지만 공기량이 증가하면 온도가 떨어지고 공기량이 감소하면 온도가 올라갑니다. 공기 효율을 향상시키려면 따뜻한 공기 작동 동안 최대 공기량(H)이 좋습니다.

방 온도가 낮을 경우

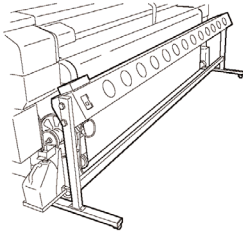
항상 히터를 켜 두어서 건조기의 공기를 방 온도 +10~20°C로 유지하십시오. 인쇄 용지를 건조시키려면 특정 단계로 온도를 올릴 필요가 있습니다. 건조 효율을 높이려면 방 온도를 20°C 이상으로 유지해야 합니다.

용지 되감개 장치 유무에 따른 용지 설정

용지 되감개 장치 유무에 따른 용지 설정은 아래와 같습니다.

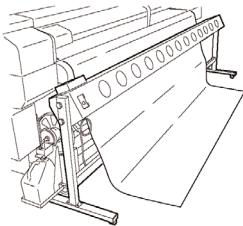
- 용지 되감개 장치가 있을 경우:

아래 그림에서 보이는 것처럼 건조기와 관련된 위치를 결정하십시오.



- 용지 되감개 장치가 없을 경우:

아래 그림에서 보이는 것처럼 건조기 다리 사이로 용지를 당깁니다.



주 인쇄된 표면이 건조기에 닿을 수 있으므로 용지를 너무 많이 당기지는 마십시오.

6 유지보수 및 청소

유지보수

건조기는 정기적으로 결함이 없는지 검사해야 합니다. 결함이 있는 경우 현장 서비스를 통해 수리를 받거나, 필요한 경우 서비스 센터에 문의하십시오.

청소

건조기 표면이 매우 지저분해진 경우 중성 세제를 푼 물에 부드러운 천을 적신 후 꼭 짜서 닦을 수 있습니다.



주의 청소하기 전에는 건조기의 전원 스위치를 끄십시오.

건조기를 청소하는 데 희석제, 벤젠 또는 기타 비휘발성 용매를 사용하지 마십시오. 이러한 용매를 사용할 경우 건조기 표면 코팅이 벗겨지거나 색이 바랄 수 있습니다.

7 사양

항목	사양
크기	3310(너비) × 610(깊이) × 870 mm(높이)
무게	60kg 이하
색	카보나이트 검정
최대 용지 너비	2,600mm
히터 유형	시디드형 히터
워밍업 시간	10분 이하
용지 경로	강기 또는 직선 출력
따뜻한 공기 온도	주위 온도 + 10°C 이상
팬 흐름 제어	3단계: 최대, 중간, 최소
타이머	범위: 1~24시간(단위: 1시간) (오류: ± 1%/h)
필수 규정 및 표준	EN55022 Class A FCC Part 15B Class A VCCI Class A CSA CE
전력 소모량	3300W 이하
입력 전압	180 - 253 VAC
입력 전압 주파수	50/60Hz ± 1Hz

항목	사양
순간 정전	20밀리초 이상
유입 전류	35A 이하
접지	D 클래스 접지(3차 클래스 접지)
작동 온도/습도 범위	온도: 15~30°C 습도: 30 ~70%RH(비응결)
보관 온도/습도 범위	온도: 5~30°C 습도: 10~80%RH(비응결)
먼지 수준	오피스 환경에 해당하는 수준
환기	탈취용 환기 설비가 권장됩니다.
설치 공간	배출구: 50mm 이상 흡입구: 300mm 이상

8 법적 정보

법적 정보—HP Designjet 고속 건조기 - 104인치

HP 제품	제한 보증 기간
하드웨어 제품	1년(고객의 구입일로부터)

A. HP 제한 보증 연장

1. 본 HP(Hewlett-Packard) 제한 보증은 최종 사용자인 귀하에게 HP로부터의 명시적 제한 보증 권한을 부여합니다. 또한 귀하는 해당 지역 법률이나 HP와의 특별한 서면 계약 하에서 다른 법적 권한을 가질 수도 있습니다.
2. HP는 위의 지정된 기간 동안 위에서 지정한 HP 제품이 재료 및 제조상의 하자가 없음을 보증합니다. 제한 보증 기간은 구입일로부터 시작됩니다. 고객의 제품 구입일을 나타내는 날짜가 기입된 판매 영수증 또는 배달 영수증은 구입일 증명서가 됩니다. 보증 서비스를 받기 위한 조건으로서 고객은 구입일을 증명할 수 있어야 합니다. 고객은 제한 보증 기간 동안 HP 제품을 수리 또는 교체해야 하는 경우 이 문서의 내용에 따라 보증 서비스를 받을 수 있는 자격이 부여됩니다.
3. 소프트웨어 제품의 경우, HP 제한 보증은 프로그래밍 명령을 실행하지 못하는 경우에만 적용됩니다. HP는 제품의 작동에 고장이나 오류가 전혀 없음을 보장하지는 않습니다.
4. HP 제한 보증은 사용 설명서에 명시된 대로 HP 제품을 정상적으로 사용한 결과로 발생하는 결함에 대해서만 적용되며, 다음의 경우에는 적용되지 않습니다.
 - a. 부적절한 유지보수,
 - b. HP에서 제공되거나 지원되지 않은 인터페이스 또는 부품 또는
 - c. 제품 사양을 벗어난 작동

클리닝 및 예방 유지보수 서비스(예방 유지보수 키트에 들어 있는 부품과 HP 서비스 엔지니어 방문 포함)와 같은 HP Designjet 고속 건조기 - 104인치의 일상적인 유지보수 작업은 HP 제한 보증에 포함되지 않습니다.

5. 결함이 있는 HP 제품에 대한 유일한 보상은 다음과 같습니다.
 - a. 제한 보증 기간 중에 HP는 이 제한 보증이 적용되는 결함이 있는 HP 소모품을 교체해 드리며 결함이 있는 제품을 대신할 다른 제품을 고객에게 제공할 것입니다.
 - b. 제한 보증 기간 중에 HP는 HP 재량에 따라 결함이 있는 제품 또는 개별 부품을 현장에서 수리하거나 교체할 것입니다. 개별 부품을 교체하기로 한 경우 HP는 고객에게 (i) 결함 있는 부품을 대신할 교체 부품 및 (ii) 원격 부품 설치 지원(필요할 경우)을 제공합니다.
 - c. HP에서 이 제한 보증이 적용되는 결함 제품을 수리하거나 교체할 수 없는 경우, HP는 제품 결함에 대한 정보를 받은 후 합당한 시간 내에 고객에게 해당 제품에 대한 구입 금액을 환불할 것입니다.
6. 고객이 결함이 있는 하드웨어 제품 또는 개별 부품을 HP로 반송할 때까지 HP는 교체하거나 환불할 의무가 없습니다. 이 제한 보증에 따라 제거된 모든 구성요소, 부품 또는 하드웨어 제품은 HP의 자산이 됩니다. 위에서 언급한 사항과 관계없이, HP는 고객에게 결함이 있는 제품에 대한 반송 요청에 관한 책임을 지지 않습니다.
7. 별도로 명시하지 않은 경우, 현지 법률이 허용하는 한, HP 제품은 새 재료를 사용하거나 성능 및 신뢰성 면에서 새 재료와 같은 중고 재료와 새 재료를 함께 사용하여 제조할 수 있습니다. HP는 제품을 (i) 수리 또는 교체되는 제품과 같은 제품이지만 이전에 사용되었을 수도 있는 제품 또는 (ii) 제조가 중단된 원 제품과 동일한 제품으로 수리 또는 교체할 수 있습니다.
8. 이 제한 보증은 모든 국가에서 적용될 수 있으며 HP 또는 HP 공인 서비스 공급업체에서 보증 서비스를 제공하고 HP가 이 제한 보증에 명시된 내용에 따라 제품을 판매한 모든 국가에서 적용될 수 있습니다. 그러나 보증 서비스의 사용 가능성 및 대응 시간은 국가마다 다를 수 있습니다. HP는 제품이 법적 또는 규정상의 이유로 작동하도록 지정되어 있지 않은 국가에서 제품을 사용할 수 있도록 하기 위해 제품의 형태, 치수 또는 기능을 변경하지 않습니다.
9. 명시된 HP 제품이 HP 또는 공식 수입업체에 의해 배포되는 HP 공인 서비스 매장을 위해 추가 서비스 계약을 체결할 수 있습니다.
10. 이 제한 보증서에 명시적으로 기술된 경우를 제외하고 현지법이 허용하는 범위 내에서, HP와 HP 협력업체는 본 HP 제품에 대해 어떠한 명시적 또는 암묵적 보증이나 조건을 제공하지 않으며, 특히 상품성, 품질 만족도, 특정 목적에의 적합성에 대한 암묵적 보증이나 조건을 제공하지 않습니다.

B. 책임 한도

이 제한 보증서에 특별히 명시된 의무를 제외하고 현지법이 허용하는 범위 내에서, 어떠한 경우에도 HP 또는 HP 협력업체는 직접적, 간접적, 특수적, 우발적, 결과적 손상에 대해 책임을 지지 않으며, 이는 그러한 손상이 계약이나 불법 행위 또는 기타 법적 이론에 근거하거나 HP가 그러한 손상의 가능성에 대해 사전에 고지 받은 경우라도 상관 없이 적용됩니다.

C. 현지법

1. 이 제한 보증서는 특정한 법적 권리를 제공합니다. 또한 고객은 미국의 경우 주마다, 캐나다의 경우 지방마다, 그리고 전세계의 각 나라마다 다양한 기타 권리를 가질 수 있습니다. 전체 권리를 보려면 해당 주, 지방 또는 국가 법을 찾아보십시오.
2. 이 제한 보증서가 현지법과 일치하지 않을 경우 이 보증서는 현지법과 일치하는 한도까지 수정되어 적용됩니다. 이 제한 보증서에 포함된 보증 조건은, 법이 허용하는 경우를 제외하고는 제외, 제한 또는 수정되지 않으며 귀하에게 이 제품을 판매하는 데 대한 필수적인 법적 권리에 추가됩니다.

개정: 2006년 6월 21일

Regulatory notices

Regulatory Model Number

For regulatory identification purposes, HP has assigned a Regulatory Model Number (RMN). The Regulatory Model Number for your product is as follows:

RMN	Product family
BCLAA-0607	HP Designjet High Speed Dryer - 104 inch

The Regulatory Model Number (RMN) should not be confused with the marketing name (HP Designjet High Speed Dryer - 104 inch) or product number.

Regulatory statements

Europe



경고! This is a class A product. In a domestic environment this product may cause radio interference, in which case the user may be required to take adequate measures.

USA

Electro-Magnetic Compatibility (EMC)

FCC statements (U.S.A.)

The U.S. Federal Communications Commission (in 47 cfr15.105) has specified that the following notices be brought to the attention of users of this product.

Shielded cables

Use of shielded data cables is required to comply with the Class A limits of Part 15 of the FCC Rules.



주의 Pursuant to Part 15.21 of the FCC Rules, any changes or modifications to this equipment not expressly approved by the Hewlett-Packard Company may cause harmful interference and void the FCC authorization to operate this equipment.

This equipment has been tested and found to comply with the limits for a Class A digital device, pursuant to part 15 of the FCC Rules. These limits are designed to provide reasonable protection against harmful interference in a commercial environment. This equipment generates, uses, and can radiate radio frequency energy and, if not installed and used in accordance with the instructions, may cause harmful interference to radio communications. Operation of this equipment in a residential area is likely to cause harmful interference, in which case users will be required to correct the interference at their own expense.

Canada

Normes de sécurité (Canada)

Le présent appareil numérique n'émet pas de bruits radioélectriques dépassant les limites applicables aux appareils numériques de Classe A prescrites dans le règlement sur le brouillage radioélectrique édicté par le Ministère des Communications du Canada.

DOC statement (Canada)

This digital apparatus does not exceed the Class A limits for radio noise emissions from digital apparatus set out in the Radio Interference Regulations of the Canadian Department of Communications.

Korea

Korean EMI statement

사용자 안내문 : A 급 기기

이 기기는 업무용으로 전자파적합등록을 받은 기기이오니, 판매자 또는 사용자는 이 점을 주의하시기 바라며, 만약 잘못 구입 하셨을 때에는 구입한 곳에서 비업무용으로 교환하시기 바랍니다.

Taiwan

Taiwanese EMI statement

警告使用者:這是甲類的資訊產品,在居住的環境中使用時,可能會造成射頻干擾,在這種情況下,使用者會被要求採取某些適當的對策。

China

Chinese EMI statement

此为A级产品,在生活环境中,该产品可能会造成无线电干扰。在这种情况下,可能需要用户对其干扰采取切实可行的措施。

Germany

Sound

Geräuschemission (Germany) LpA < 70 dB, am Arbeitsplatz, im Normalbetrieb, nach DIN45635 T. 19.

Address

Hewlett-Packard Company

Manager of Corporate Product Regulations

3000 Hanover Street

Palo Alto, CA 94304

650/857-1501

Declaration of Conformity (DoC No: BCLAA-0607-01)

according to ISO/IEC 17050-1 and EN 17050-1

Supplier's name:	Hewlett-Packard Company
Supplier's address:	Avenida Graells, 501 08174 Sant Cugat del Vallès Barcelona, Spain

declares that the product

Regulatory Model Number ⁽²⁾ :	BCLAA-0607
Product family:	HP Designjet High Speed Dryer - 104 inch
Product options:	All

conforms to the following product specifications

Safety:	IEC 60950-1:2001 / EN 60950-1:2001
EMC:	CISPR 22:1997+A1:2000+A2:2002 EN 55022:04 +A1:1995 +A2:1997 Class A ^{(1) (2)} EN 55024:1998+A1:2001+A2:2003 EN 61000-3-2:2000 / IEC 61000-3-3:2000 EN 61000-3-3:1995+A1:2001 / IEC 61000-3-3 / A1:2001 FCC Title 47 CFR, Part 15 Class A ^{(2) (3)}

Additional information

The product herewith complies with the requirements of the Low-Voltage Directive 73/23/EEC and the EMC Directive 89/336/EEC, and carries the CE marking accordingly.

1. The product was tested in a typical configuration with HP Personal Computer Systems and peripherals.
2. This device complies with Part 15 of the FCC Rules. Operation is subject to the following two conditions:
 - This device may not cause harmful interference.
 - This device must accept any interference received, including interference that may cause undesired operation.
3. The product is assigned a Regulatory Model Number which stays with the regulatory aspect of the design. The Regulatory Model Number is the main product identifier in the regulatory documentation and test reports; this number should not be confused with the marketing name or the product numbers.



Josep-Maria Pujol

Hardware Quality Manager

Sant Cugat del Vallès (Barcelona)

June 12th, 2006

Local contacts for regulatory topics only

Contact in Europe: Hewlett-Packard GmbH, HQ-TRE, Herrenberger Strasse 140, 71034 Böblingen, Germany.

Contact in the USA: Hewlett-Packard Company, HPCC, 20555 S.H. 249 Houston, Texas 77070, USA.

Contact in Australia: Hewlett-Packard Australia Ltd, Product Regulations Manager, 31-41 Joseph Street, Blackburn, Victoria 3130, Australia.

HP Designjet 高速晾干器 - 104 英寸

用户指南



法律通告

此处所述信息如有更改，恕不另行通知。

HP 产品和服务的保修仅以随该产品和服务提供的书面保修声明为准。本文所述任何内容均不应被视为附加保修。对任何技术或编辑错误或本文所述内容的遗漏，HP 不承担任何责任。

目录

1 简介	
安全注意事项	1
警告	1
小心	2
拿取注意事项	2
电源	2
晾干器	2
2 如何组装晾干器	
组装之前	5
组装步骤	5
3 如何安装晾干器	
安装空间	9
电源连接	10
4 晾干器组件	
主要外部组件	11
操作面板组件	12
5 如何使用晾干器	
基本操作步骤	15
高效使用晾干器	16
暖风的方向	16
风量设置	16
室温较低时	16
安装或未安装卷纸收纸器装置的纸张设置	17
6 维护和清洁	
维护	19
清洁	19
7 规格	
8 法律信息	

有限保修—— HP Designjet 高速晾干器 - 104 英寸	23
A. HP 有限保修范围	23
B. 责任限制	24
C. 当地法律	24
Regulatory notices	25
Regulatory Model Number	25
Regulatory statements	25
Europe	25
USA	25
Electro-Magnetic Compatibility (EMC)	25
FCC statements (U.S.A.)	25
Shielded cables	25
Canada	26
Normes de sécurité (Canada)	26
DOC statement (Canada)	26
Korea	26
Korean EMI statement	26
Taiwan	26
Taiwanese EMI statement	26
China	26
Chinese EMI statement	26
Germany	27
Sound	27
Address	27
Declaration of Conformity (DoC No: BCLAA-0607-01)	27
declares that the product	27
conforms to the following product specifications	27
Additional information	28
Local contacts for regulatory topics only	28

1 简介

感谢您购买 HP Designjet 高速晾干器 - 104 英寸（此后称为晾干器）。

该晾干器安装在打印机的出纸口附近，用于快速晾干纸张上的墨水。

晾干器可帮助打印机最大限度地发挥它高速打印的性能。

晾干器的功能：

- **快速晾干以便进行高速打印**

通过从打印机到卷绕装置这一段送纸道的出纸口吹出暖风来晾干纸张。

- **24 小时计时器**

通过计时器设置高达 24 小时的晾干时间（以一小时为单位），可以节省能耗并提高晾干效率。



注意 晾干器能将纸张晾干，但它需要花更多时间晾干纸张上面的墨水。如果需要在打印后进行覆膜之类的处理，建议不要在纸张刚从打印机退出时就执行。一些纸张类型就算使用了晾干器也无法完全晾干。如果出现这种情况，请从打印机操作面板设置一个扫描等待时间。

安全注意事项

警告

未能遵循以下准则可能导致严重的人身伤害或死亡。

- 使用铭牌上指定的电源电压。如果使用其它电压，可能导致失火或触电。
- 晾干器运行时，会将墨水当中的一些挥发性有机化合物排放到工作场所中。请只在通风良好的区域安装和操作晾干器。某些情况下，有必要在晾干器附近安装一个排气罩，以排除工作场所中的墨雾。
- 避免因将多个设备插入打印机电源插座而导致过载。
- 确保晾干器良好接地。如果没有，可能会因短路而导致失火或触电。
- 不要拆卸或改造晾干器。不要自己修理晾干器。否则，可能导致失火、触电或其它事故。
- 不要损坏、截断、加工或加热电源线。使用损坏的电源线可能会导致失火或触电。
- 不要卸下附在晾干器上的挡盖，因为挡盖内部有高压和非常热的部件。意外卸下挡盖可能导致触电或烫伤。

- 切勿在高湿度或可能有液体溅到的地方使用晾干器。如果任何液体进入晾干器，可能导致失火、触电或其它严重事故。
- 不要卸下附在晾干器上的挡盖，因为晾干器内部有高压和非常热的部件。卸下挡盖可能导致触电或烫伤。
- 不允许金属或液体接触晾干器的内部部件，否则可能导致失火、触电或其它事故。
- 不要用湿滑的双手断开或连接电源线。这样可能会导致触电。
- 在以下任一情况下，请关闭晾干器电源并从电源插座上拔下电源线：
 - 将手伸入晾干器内部时。
 - 晾干器冒烟或有异味时。
 - 晾干器发出正常操作期间听不到的异常噪声时。
 - 一块金属或一种液体（不是清洁与维护过程的一部分）接触到晾干器内部部件时。
 - 前面板显示需要维修工程师注意的错误代码时。
 - 电风暴（打雷/闪电）期间。
 - 电源故障期间。

小心

未能遵守这些准则可能导致较轻的人身伤害或产品损坏。

- 小心拿取晾干器，因为它很重。如果晾干器跌落，可能造成人身伤害。
- 连接和断开电源线时，应拿住电源线的插头。否则，可能会导致电源线磨损或断开，从而导致触电和/或失火。
- 不要在 unstable 或倾斜的台面上安装晾干器。如果您跌落晾干器或其翻倒，可能造成人身伤害。
- 晾干器会发热。小心不要触摸发热部件以免烫伤。

拿取注意事项

电源

- 将晾干器安装在易于插拔的电源插座附近。
- 不要将晾干器连接到已接有会产生噪音的电机或其它机械的电源上。
- 晾干器在 180-253V 的电压下工作，使用 50/60Hz 单相交流电源。确保电源插座满足晾干器的电压和电流要求。请参阅规格以了解详情。
- 不要在单个插孔上连接多条电缆。晾干器应插在单独的插座上。

晾干器

- 不要将物品放在或斜靠在晾干器上。
- 不要使用苯或稀释剂擦拭挡盖。涂层可能剥落或褪色。

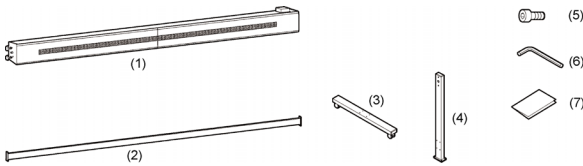
使用软布轻轻地擦拭挡盖表面。如果挡盖很脏，可将软布浸在加水稀释的中性清洁剂中，然后拧紧软布并用其擦拭表面。

2 如何组装晾干器

请仔细阅读组装说明，以便正确组装晾干器。

组装之前

晾干器包装箱中包含以下部件。在开始组装之前，确保所有部件都在。



1. 晾干器装置
2. 托架
3. 带脚轮的支脚 (2)
4. 支架 (2)
5. M5×12L 圆柱头内六角螺栓 (16)
6. 六角扳手
7. 用户指南

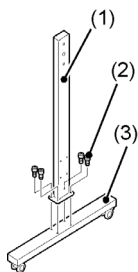


注意 符合当地电源规格的电源线包含在附件中。

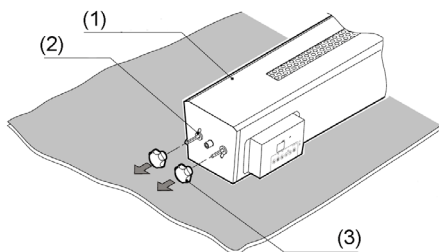
组装步骤

1. 将一块厚纸板或其它一些保护膜放到地板上，以保护晾干器部件的表面。

2. 用圆柱头内六角螺栓 (2) 将支脚 (3) 固定到各个支架 (1) 上。

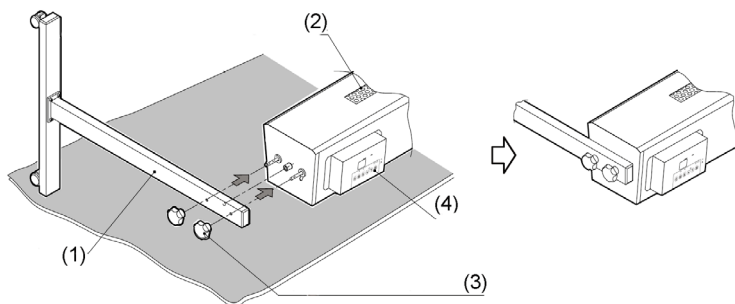


3. 将晾干器装置 (1) 放在保护膜上，出风口朝上。
4. 卸下晾干器装置 (1) 两侧的旋钮 (3) (每侧两个)。



注意 不要从晾干器 (1) 上取下垫圈 (2)。

5. 如下图所示，用旋钮 (3)（每侧两个）将支架 (1) 固定到晾干器装置 (2) 上。

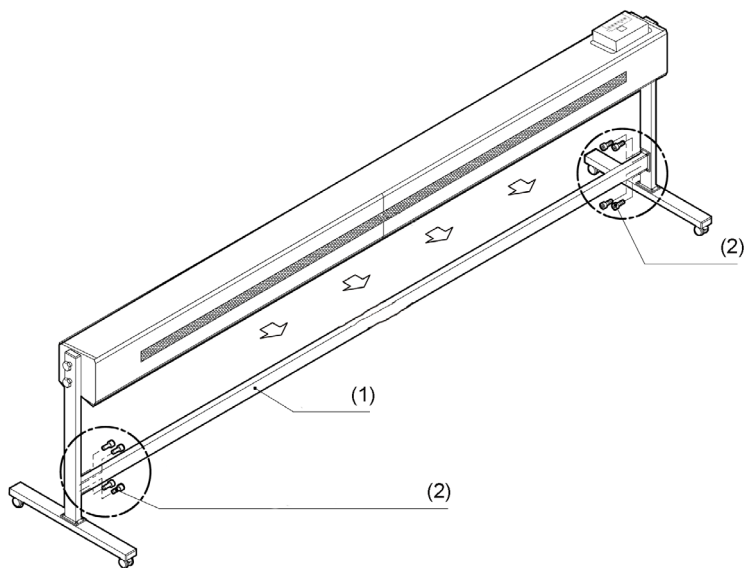


注意 应按如下方式连接支架：将晾干器提到直立位置时，晾干器装置上的操作面板 (4) 朝上。

应按如下方式连接支架：支架上的孔朝内；它们将用于连接托架。

6. 将支架连接到晾干器装置上后，将整个晾干器提到直立位置，即用支脚支撑它。

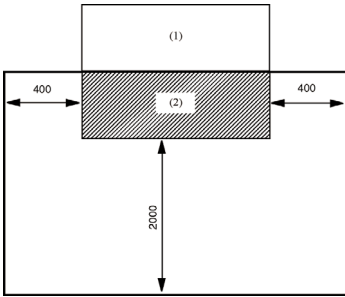
7. 在晾干器装置每侧用四个圆柱头内六角螺栓 (2) 固定托架 (1)。检查所有螺丝是否均完全拧紧。



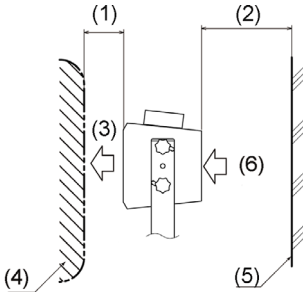
3 如何安装晾干器

安装空间

下图显示了打印机 (1)、晾干器 (2) 和晾干器周围应预留的可用空间（以毫米为单位）。晾干器的高度为 870 毫米。

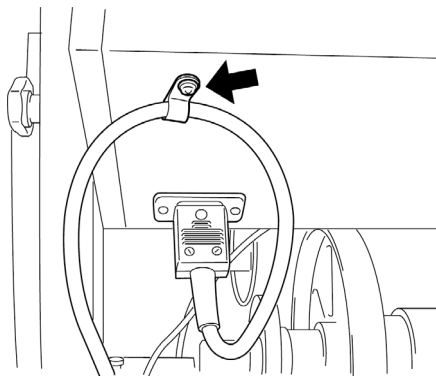


晾干器应至少距离纸张从打印机 (4) 露出的位置 50 毫米 (1)，且进风口 (6) 和出风口 (3) 的位置如下图所示。进风口 (6) 和任何障碍物 (5) 之间也应该至少保持 300 毫米 (2) 的距离。安装完晾干器后，请锁定脚轮。

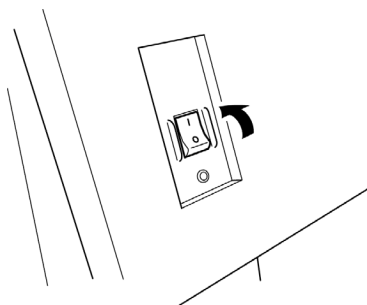


电源连接

1. 安装晾干器后，将电源线连接到晾干器的电源插孔上。
2. 打开电源线夹，将电源线穿过线夹，然后合上线夹，以便夹住电线。这可防止插头意外拔下。

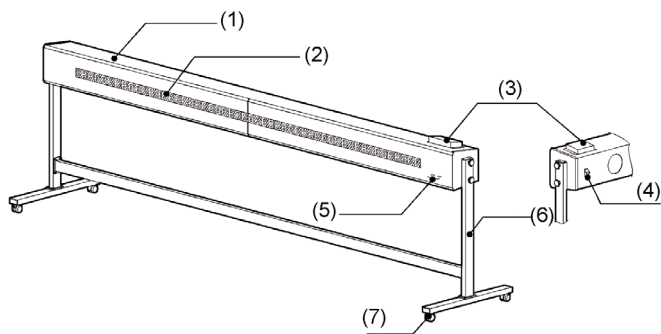


3. 先确认晾干器的电源开关已关闭 (O)，然后将电源线的另一端连接到合适的电源插座 (请参阅规格有关详情)。
4. 打开晾干器的主电源开关。



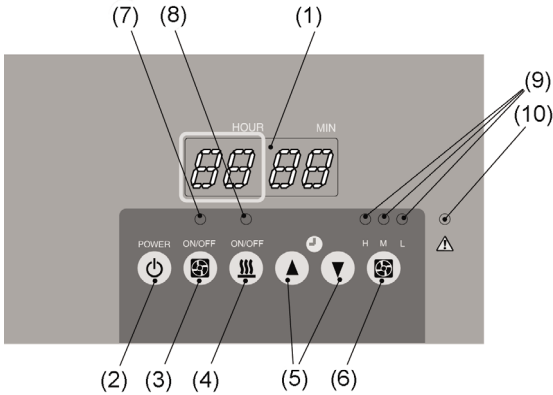
4 晾干器组件

主要外部组件



1. 晾干器装置
2. 暖风出口
3. 操作面板
4. 电源开关
5. 交流接入插座
6. 支架
7. 脚轮

操作面板组件



1. 显示面板:

- 显示计时器的剩余时间。
- 向上或向下按“计时器”按钮(5)以设置计时器(最小1小时,最大24小时)。

2. 电源按钮:

- 打开或关闭晾干器电源。
- 如果在加热器操作期间关闭电源按钮,风扇仍将继续转动3分钟以上,然后晾干器才会完全关闭。

3. 风扇按钮: 打开后,将从晾干器吹出气流。

4. 加热器按钮: 打开后,将从晾干器吹出暖风。

5. 计时器按钮:

- 设置计时器。
- 操作时间最大可设为24小时(剩余时间将显示在显示面板上)。
- 首次接通电源时的默认值是10小时。

6. 风量按钮:

- 更改风扇和加热器的风量。
- 风量可更改为高(H)、中(M)或低(L)。
- 首次接通电源时的默认值是高(H)。

7. 风扇指示灯: 风扇运转时亮起。

8. 加热器指示灯：打开加热器时亮起。
9. 风量指示灯显示从风扇吹出的三种级别的风量：高 (H)、中 (M) 和低 (L)。
10. 加热器错误指示灯：顶盖温度过高时亮起。



小心 加热器错误指示灯亮起时，按加热器按钮以停止暖风操作，并以最高风量级别 (H) 吹出气流 10 分钟以冷却晾干器内部。晾干器冷却后，用主电源开关关闭晾干器，然后联系我们的服务中心。

不要在关闭晾干器后马上触摸它，因为晾干器仍然很热。

5 如何使用晾干器

基本操作步骤

1. 按下电源按钮 (2) 打开晾干器 (操作面板和风量指示灯亮起)。
2. 按下加热器按钮 (4) 以设置操作模式 (风扇指示灯 (7) 和加热器指示灯 (8) 将亮起)。
 - 如果在按下加热器按钮 (4) 之前按下了风扇按钮 (3)，您将无法通过按下加热器按钮 (4) 打开加热器。您必须再次按下风扇按钮 (3) (风扇指示灯 (7) 熄灭)，然后按加热器按钮 (4)，这样才能吹出热风 (风扇指示灯 (7) 和加热器指示灯 (8) 都应亮起)。
 - 在加热器关闭后风扇运转的 3 分钟内，可以通过按下加热器按钮 (4) 重新启动暖风操作。
3. 计时器用于设置晾干器的运行时间。最高可设置为 24 小时。
 - 计时器默认设置是 10 小时。
 - 在 3 分钟冷却阶段内，您不能在计时器上更改时间。



注意 当计时器的剩余时间为 0 时，风扇将停止吹出暖风。风扇将继续运转 3 分钟，以便在暖风停止后冷却晾干器。

4. 按风量按钮 (6) 以调整风扇风量。
5. 按加热器按钮 (4) 以停止暖风操作。暖风停止后风扇仍将运转 3 分钟。
6. 关闭主电源开关以终止操作。



注意 即使在关闭加热器 (使用加热器按钮 (4)) 前按下了电源按钮 (2)，风扇仍将继续运转 3 分钟。



小心 不要坐在或斜靠在晾干器上。晾干器无法支撑您的重量。

在加热器停止后，风扇完成 3 分钟的冷却之前，不要关闭主电源开关。如果关闭主电源开关，风扇将停止运转，加热器余热将使内部温度升高。这可能会损坏晾干器。另外，过热的表面可能会导致烫伤。如果意外关闭主电源开关或电源线被拉出，请再次打开电源，将风量设为高并使风扇至少运转 5 分钟，以冷却晾干器。

如果电源线意外断开连接，不要触摸晾干器，因为它仍然很热。

墨水不会立刻晾干。确保新打印的纸张不会碰到任何东西。

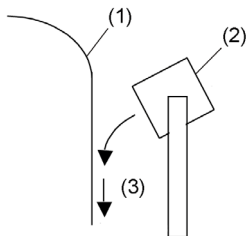
如果晾干器离打印的纸张太近，可能损坏纸张。确保晾干器离纸张至少 50 毫米。

如果晾干器的进风口被灰尘堵塞，内部温度将升高，可能会导致故障。请定期清洁进风口。

高效使用晾干器

暖风的方向

将晾干器机身倾斜，使其稍微指向下，如图所示。这样将提高晾干效率，因为暖风将吹向整个纸张表面。



1. 纸张
2. 晾干器
3. 暖风

风量设置

可以将风量设为三个级别中的任一级。晾干器使用恒量传导加热器，温度将随着风量的增加而降低，随着风量的减弱而升高。要提高晾干效率，建议在暖风操作期间使用高风量 (H)。

室温较低时

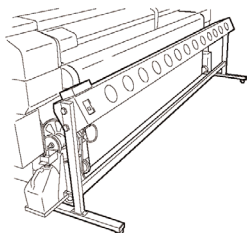
始终打开加热器以保持晾干器气流比室温高 10 至 20 °C。要晾干打印的纸张，需要将温度提升至一定级别。室温应保持在 20 °C 或更高以提高晾干效率。

安装或未安装卷纸收纸器装置的纸张设置

以下显示安装或未安装卷纸收纸器装置的纸张设置。

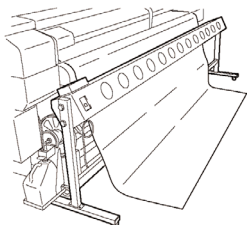
- **安装卷纸收纸器装置时：**

如下图所示确定晾干器的位置。



- **未安装卷纸收纸器装置时：**

如下图所示通过晾干器支腿拉出纸张。



注意 避免拉出纸张太多，因为打印表面可能会接触到晾干器。

6 维护和清洁

维护

应定期检查晾干器是否有缺陷。如果发现缺陷，可请求现场修理；如有必要，可送到服务中心修理。

清洁

如果晾干器表面变得很脏，您可以将软布浸在用水稀释的中性清洁剂中，然后拧紧软布并进行擦拭。



小心 清洁前，请关闭晾干器的电源开关。

不要使用稀释剂、苯或其它非易失性溶剂清洁晾干器：它们可能造成晾干器的表面涂层脱落或褪色。

7 规格

项目	规格
尺寸	3310 (宽) x 610 (厚) x 870 (高) 毫米
重量	60 千克或更少
颜色	碳黑色
最大纸张宽度	2600 毫米
加热器类型	铠装加热器
预热时间	10 分钟或更少
送纸道	卷绕或直接输出
暖风温度	比环境温度高 10°C 或更高
风量控制	三级：高、中或低
计时器	范围：1 至 24 小时（单位：1 小时） （错误：± 1%/小时）
符合的规定和标准	EN55022 Class A FCC Part 15B Class A VCCI Class A CSA CE
耗电量	3300 W 或更少
输入电源电压	180 至 253 VAC
输入电源频率	50/60 Hz ± 1 Hz

项目	规格
瞬时电源故障	20 毫秒或更多
涌入电流	35 A 或更少
接地	D 级接地（第三类接地）
操作温度和湿度范围	温度：15 至 30°C 湿度：30 至 70%RH（无冷凝）
存储温度和湿度范围	温度：5 至 35°C 湿度：10 至 80%RH（无冷凝）
防尘级别	相当于办公环境。
通风	建议使用通风设施以便除臭。
安装空间	出风口：50 毫米或更远 进风口：300 毫米或更远

8 法律信息

有限保修—— HP Designjet 高速晾干器 - 104 英寸

HP 产品	有限保修期
硬件产品	1 年（自客户购买硬件之日起）

A. HP 有限保修范围

1. HP 通过此 Hewlett-Packard (HP) 有限保修为您（最终用户）提供了明确的有限保修权利。此外，根据适用的当地法律或与 HP 签署的特殊书面协议，您可能还有其它法律权利。
2. HP 向您保证，上述 HP 产品在上述有限保修期内，没有材料和工艺上的缺陷。有限保修期自客户购买之日算起。您可以通过标有日期的销售或发货收据（显示产品购买日期）来证明您的购买日期。您可能必须提供购买凭证才能享受保修服务。如果您的 HP 产品在保修期内需要维修或更换，则您享有根据本文中条款和条件规定的保修服务。
3. 对于软件产品，HP 的有限保修仅适用于执行程序指令时出现的故障。HP 不担保每个产品的运行都不会中断或没有故障。
4. HP 的有限保修仅适用于那些按照用户指南中的规定合理使用 HP 产品时出现的故障，而不适用于下述情况下出现的故障：
 - a. 不正确或不适当的维修；
 - b. 不是由 HP 提供或支持的接口或部件；或
 - c. 不遵循产品说明的操作。

HP Designjet 高速晾干器 - 104 英寸例行的维护操作，例如清洁和预防性维护服务（包括预防性维护套件中的部件和 HP 维修工程师访问时所带的部件），不在 HP 的有限保修范围之内。

5. 对于存在缺陷的 HP 产品，您将得到以下专有补偿：
 - a. 在有限保修期内，HP 将更换符合此有限保修规定的、存在缺陷的任何 HP 耗材产品，并提供另一产品以替换有缺陷的产品。
 - b. 在有限保修期内，HP 可根据自己的判断，决定是现场维修还是更换任何有缺陷的硬件产品或组件部件。如果 HP 决定更换任何组件部件，HP 将提供给您 (i) 一个更换部件，返回有缺陷的那个；(ii) 如有需要，提供远程部件安装帮助。
 - c. 如果 HP 无法修理或更换一个在有限保修期内有缺陷的产品，则在收到故障通知后的合理时间内，HP 会按客户购买该产品的价格退款。
6. 在您将有缺陷的硬件产品或组件部件寄至 HP 前，HP 并无义务进行更换或退还货款。在此有限保修期内拆卸的所有组件、部件或硬件产品均归 HP 所有。尽管这样说，但 HP 也可能不要求您退回有缺陷的部件。
7. 除非特别说明，否则在当地法律允许的范围内，HP 产品可以使用新材料制造，也可以使用在性能和可靠性方面相当于新材料的新和旧材料制造。HP 可以使用以下产品进行维修或更换：(i) 使用与接受维修或更换的产品等同的产品，但它可能以前被使用过；或 (ii) 使用与已停产的原装产品等同的产品。
8. 此有限保修适用于所有国家/地区，并且可能在 HP 或其授权的服务提供商提供保修服务以及 HP 根据本有限保修中规定的条款和条件销售此产品的任何国家/地区强制执行。但是，保修服务的可用性和响应时间可能随国家/地区的不同而不同。在因法律或管制原因而无法使用该产品的国家/地区，HP 将不会通过改变产品外形、装配或功能的方法而使其可以操作。
9. 在所列 HP 产品是由 HP 经销或授权进口商经销的国家/地区，您可以从授权的 HP 服务机构获得额外的服务合约。
10. 在当地法律允许的范围内，HP 和它的第三方供应商不在此有限保修中对 HP 产品作任何其他的保证或承诺，无论是明示的还是暗示的保证或承诺，并特别声明不对产品的适销性、质量满意度及对特殊用途的适用性作任何隐含的保证或承诺。

B. 责任限制

在当地法律允许的范围内，除本有限保修专门所述之义务外，HP 或其第三方供应商不对任何直接、间接、特殊、意外性或随发性损失（包括利润或节省资金的损失）负责，不论它是基于合约、侵权或任何其他法律理论，也不论是否建议过此类损失的可能性。

C. 当地法律

1. 本有限保修赋予您特定的法律权利。您在美国不同的州、加拿大不同的省和世界上不同的国家/地区，还可能有其它的权利。建议您咨询相应的州、省或国家/地区法律，以充分享受您的权利。
2. 就本保修声明与当地法律不一致而言，应认为本保修声明被修改为与此类当地法律一致。除法律允许的范围外，此有限保修所含的保修条款不排除、限制或修改此产品销售给您时适用的强制性法定权利。

修订日期：2006 年 7 月 21 日

Regulatory notices

Regulatory Model Number

For regulatory identification purposes, HP has assigned a Regulatory Model Number (RMN). The Regulatory Model Number for your product is as follows:

RMN	Product family
BCLAA-0607	HP Designjet High Speed Dryer - 104 inch

The Regulatory Model Number (RMN) should not be confused with the marketing name (HP Designjet High Speed Dryer - 104 inch) or product number.

Regulatory statements

Europe



警告! This is a class A product. In a domestic environment this product may cause radio interference, in which case the user may be required to take adequate measures.

USA

Electro-Magnetic Compatibility (EMC)

FCC statements (U.S.A.)

The U.S. Federal Communications Commission (in 47 cfr15.105) has specified that the following notices be brought to the attention of users of this product.

Shielded cables

Use of shielded data cables is required to comply with the Class A limits of Part 15 of the FCC Rules.



小心 Pursuant to Part 15.21 of the FCC Rules, any changes or modifications to this equipment not expressly approved by the Hewlett-Packard Company may cause harmful interference and void the FCC authorization to operate this equipment.

This equipment has been tested and found to comply with the limits for a Class A digital device, pursuant to part 15 of the FCC Rules. These limits are designed to provide reasonable protection against harmful interference in a commercial environment. This equipment generates, uses, and can radiate radio frequency energy and, if not installed and used in accordance with the instructions, may cause harmful interference to radio communications. Operation of this equipment in a residential area is likely to cause harmful interference, in which case users will be required to correct the interference at their own expense.

Canada

Normes de sécurité (Canada)

Le présent appareil numérique n'émet pas de bruits radioélectriques dépassant les limites applicables aux appareils numériques de Classe A prescrites dans le règlement sur le brouillage radioélectrique édicté par le Ministère des Communications du Canada.

DOC statement (Canada)

This digital apparatus does not exceed the Class A limits for radio noise emissions from digital apparatus set out in the Radio Interference Regulations of the Canadian Department of Communications.

Korea

Korean EMI statement

사용자 안내문 : A 급 기기

이 기기는 업무용으로 전자파적합등록을 받은 기기이오니, 판매자 또는 사용자는 이 점을 주의하시기 바라며, 만약 잘못 구입 하셨을 때에는 구입한 곳에서 비업무용으로 교환하시기 바랍니다.

Taiwan

Taiwanese EMI statement

警告使用者:這是甲類的資訊產品,在居住的環境中使用時,可能會造成射頻干擾,在這種情況下,使用者會被要求採取某些適當的對策。

China

Chinese EMI statement

此为A级产品,在生活环境中,该产品可能会造成无线电干扰。在这种情况下,可能需要用户对其干扰采取切实可行的措施。

Germany

Sound

Geräuschemission (Germany) LpA < 70 dB, am Arbeitsplatz, im Normalbetrieb, nach DIN45635 T. 19.

Address

Hewlett-Packard Company

Manager of Corporate Product Regulations

3000 Hanover Street

Palo Alto, CA 94304

650/857-1501

Declaration of Conformity (DoC No: BCLAA-0607-01)

according to ISO/IEC 17050-1 and EN 17050-1

Supplier' s name:	Hewlett-Packard Company
Supplier' s address:	Avenida Graells, 501 08174 Sant Cugat del Vallès Barcelona, Spain

declares that the product

Regulatory Model Number ⁽²⁾ :	BCLAA-0607
Product family:	HP Designjet High Speed Dryer - 104 inch
Product options:	All

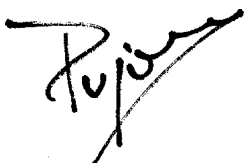
conforms to the following product specifications

Safety:	IEC 60950-1:2001 / EN 60950-1:2001
EMC:	CISPR 22:1997+A1:2000+A2:2002 EN 55022:04 +A1:1995 +A2:1997 Class A ^{(1) (2)} EN 55024:1998+A1:2001+A2:2003 EN 61000-3-2:2000 / IEC 61000-3-3:2000 EN 61000-3-3:1995+A1:2001 / IEC 61000-3-3 / A1:2001 FCC Title 47 CFR, Part 15 Class A ^{(2) (3)}

Additional information

The product herewith complies with the requirements of the Low-Voltage Directive 73/23/EEC and the EMC Directive 89/336/EEC, and carries the CE marking accordingly.

1. The product was tested in a typical configuration with HP Personal Computer Systems and peripherals.
2. This device complies with Part 15 of the FCC Rules. Operation is subject to the following two conditions:
 - This device may not cause harmful interference.
 - This device must accept any interference received, including interference that may cause undesired operation.
3. The product is assigned a Regulatory Model Number which stays with the regulatory aspect of the design. The Regulatory Model Number is the main product identifier in the regulatory documentation and test reports; this number should not be confused with the marketing name or the product numbers.



Josep-Maria Pujol

Hardware Quality Manager

Sant Cugat del Vallès (Barcelona)

June 12th, 2006

Local contacts for regulatory topics only

Contact in Europe: Hewlett-Packard GmbH, HQ-TRE, Herrenberger Strasse 140, 71034 Böblingen, Germany.

Contact in the USA: Hewlett-Packard Company, HPCC, 20555 S.H. 249 Houston, Texas 77070, USA.

Contact in Australia: Hewlett-Packard Australia Ltd, Product Regulations Manager, 31 - 41 Joseph Street, Blackburn, Victoria 3130, Australia.

HP Designjet 104 英吋高速烘乾機

使用指南



法律通告

本文件包含的資訊如有變更，恕不另行通知。

本產品與服務所附的明示保固聲明是 HP 對其產品與服務的唯一保固內容。除此之外，不含任何附加保固。HP 對所含資訊在技術或編輯上的錯誤或疏漏概不負責。

目錄

1 簡介	
安全預防措施	1
警告	1
注意事項	2
有關處理的預防措施	2
電源供應	2
烘乾機	2
2 如何組裝烘乾機	
組裝之前	3
組裝程序	3
3 如何安裝烘乾機	
安裝空間	7
電源連接	7
4 烘乾機元件	
外部主要元件	9
操作面板元件	10
5 如何使用烘乾機	
基本操作程序	13
有效率地使用烘乾機	14
熱空氣的方向	14
風量設定	14
當室溫較低時	14
配備/未配備捲紙軸裝置的紙張設定	15
6 維護與清潔	
維護	17
清潔	17
7 技術規格	
8 法律資訊	
有限保固—HP Designjet 104 英吋高速烘乾機	21
A. HP 有限保固範圍	21

B. 有限之賠償責任	22
C. 地方法令	22
Regulatory notices	23
Regulatory Model Number	23
Regulatory statements	23
Europe	23
USA	23
Electro-Magnetic Compatibility (EMC)	23
FCC statements (U.S.A.)	23
Shielded cables	23
Canada	24
Normes de sécurité (Canada)	24
DOC statement (Canada)	24
Korea	24
Korean EMI statement	24
Taiwan	24
Taiwanese EMI statement	24
China	24
Chinese EMI statement	24
Germany	25
Sound	25
Address	25
Declaration of Conformity (DoC No: BCLAA-0607-01)	25
declares that the product	25
conforms to the following product specifications	25
Additional information	26
Local contacts for regulatory topics only	26

1 簡介

感謝您購買 HP 104 英寸高速烘乾機 (下文稱「烘乾機」)。

烘乾機用於安裝在印表機的出紙槽附近，以有效烘乾列印在紙張上的墨水。

烘乾機有助於印表機達到其高速列印功能。

烘乾機功能：

- **快速烘乾以對應高速列印**

可向出紙槽 (從印表機至捲繞裝置的紙張通道) 吹送熱空氣以烘乾紙張。

- **24 小時計時器**

可使用計時器以小時為單位設定長達 24 小時的乾燥時間，從而節省能源並提高烘乾效率。



注意 烘乾機會烘乾紙張，但需要花更長時間來烘乾紙張上的墨水。如果要在列印後執行護貝之類的程序，建議不要在紙張剛從印表機退出後立即執行。部分紙張類型即使利用烘乾機也無法完全乾燥。在此情況下，請在印表機操作面板上設定掃描等待時間。

安全預防措施

警告

如未按照這些準則進行操作，可能會導致嚴重的人身傷害，甚至死亡。

- 使用標示條上指定的供電電壓。否則會引起火災或觸電。
- 烘乾機在運作時會將墨水中的揮發性有機化合物排放到工作場所中。請務必在通風良好的區域安裝與操作烘乾機。在部分情況下，有必要在烘乾機附近安裝排氣罩，以抽除工作場所中的墨水煙霧。
- 不要在印表機'的電源插座上插接多個裝置以免超載。
- 確定烘乾機確實接地。否則，短路會引起火災或觸電。
- 請勿拆開或改造烘乾機，亦勿自行維修烘乾機，否則會引起火災、觸電或其他事故。
- 請勿損壞、折斷、加工或加熱電源線。使用受損電源線可能會造成火災或觸電。
- 請勿取下烘乾機上安裝的護蓋，因為烘乾機內含高壓電與極熱的零件。隨意取下護蓋可能會引起觸電或灼傷。
- 切勿在濕度過高或可能被任何液體濺濕的地方使用烘乾機。如果任何液體流入烘乾機，可能會引起火災、觸電或其他重大事故。

- 請勿取下烘乾機上安裝的護蓋，因為烘乾機內含高壓電與極熱的零件。取下護蓋可能會引起觸電或灼傷。
- 請勿讓金屬或液體接觸烘乾機的內部零件，否則會引起火災、觸電或其他事故。
- 請勿用濕手拔除或連接電源線，否則可能會引起觸電。
- 在下列任一情況下，請關閉烘乾機電源並從電源插座上拔下電源線：
 - 當手伸入烘乾機內部時。
 - 烘乾機冒煙或發出異味。
 - 發出烘乾機正常操作時不會發出的異常噪音。
 - 金屬片或液體 (不是在清潔與維護例行程序期間) 接觸烘乾機的內部零件。
 - 前控制面板顯示需要維修工程師注意的錯誤代碼。
 - 出現雷雨 (打雷/閃電) 天氣。
 - 發生電源故障。

注意事項

如未按照這些準則進行操作，可能會導致輕度的人身傷害或損壞產品。

- 烘乾機非常重，搬運時務必小心謹慎。如果烘乾機摔落，可能會導致人身傷害。
- 連接或拔下電源線時，請握住電源線的插頭。如果沒有這樣做，可能會導致纜線磨損或折斷，從而引起觸電與/或火災。
- 請勿在不穩定或傾斜表面安裝烘乾機。如果烘乾機摔落或翻倒，可能會導致人身傷害。
- 烘乾機會變得很熱。請小心不要觸摸發熱零件以免受傷。

有關處理的預防措施

電源供應

- 將烘乾機安裝在容易取用的電源插座附近。
- 請勿將烘乾機連接至連接了馬達或其他會產生噪音的機器之電源供應器。
- 烘乾機使用 180 - 253 伏特、50/60 赫茲的單相交流電源。請確保電源插座符合烘乾機的電壓與電流要求。請參閱技術規格以取得詳細資料。
- 請勿將多條電源線連接至單一插座。烘乾機應連接至單一插座。

烘乾機

- 請勿將物件放在烘乾機上，也不要斜靠在烘乾機上。
- 請勿使用苯或稀釋劑擦拭護蓋，否則塗層可能會脫落或褪色。

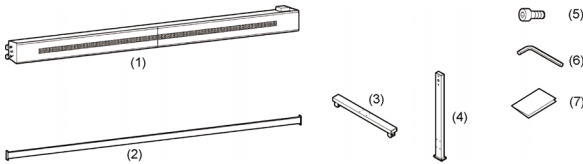
請用軟布輕拭護蓋表面。如果護蓋變髒，請將軟布浸入以水稀釋的中性洗潔劑，然後擰乾軟布並用其擦拭表面。

2 如何組裝烘乾機

請詳細閱讀組裝說明，以便正確組裝烘乾機。

組裝之前

烘乾機包裝箱中包含下列零件。開始組裝之前，請確保所有零件都齊全。



1. 烘乾機裝置
2. 托架
3. 裝有腳輪的支腳 (2)
4. 支架 (2)
5. M5×12L 六角螺栓 (16)
6. 六角扳手
7. 使用指南

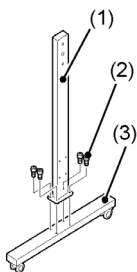


注意 附件內含符合當地電源規格的電源線。

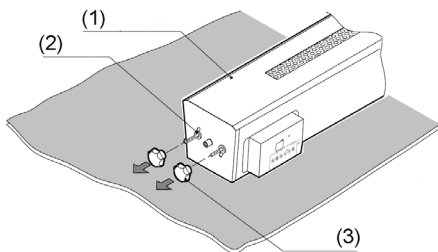
組裝程序

1. 將硬紙板或其他護毯放在地板上，以保護烘乾機零件的表面。

2. 用六角螺柱 (2) 將每個支架 (1) 固定一個支腳 (3) 上。

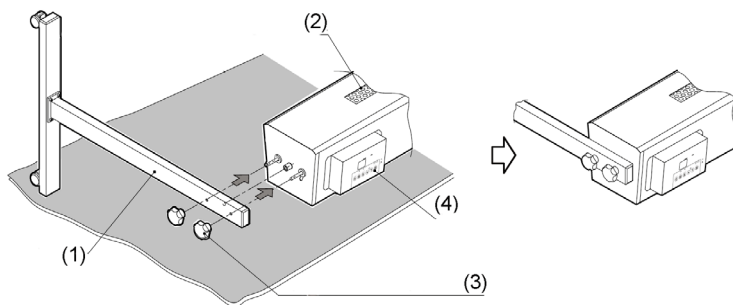


3. 將烘乾機裝置 (1) 放在護毯上，並使出風口朝上。
4. 取出烘乾機裝置 (1) 兩側的旋鈕 (3) (每側兩個)。



注意 請勿取出烘乾機 (1) 上的墊圈 (2)。

- 按圖所示，使用旋鈕 (3) (每側兩個) 將支架 (1) 固定在烘乾機裝置 (2) 上。

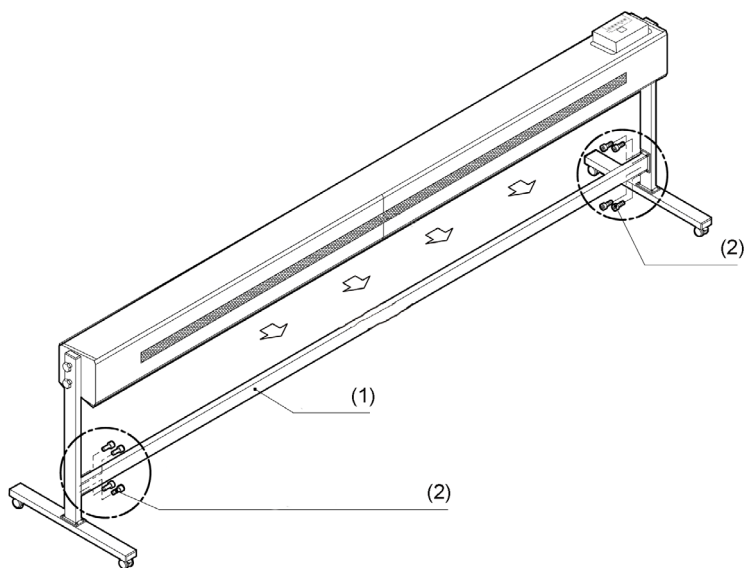


注意 安裝支架時，應使烘乾機直立，烘乾機裝置上的操作面板 (4) 朝上。

安裝支架時，應使支架上的孔朝內；這些孔將用於安裝托架。

- 將支架安裝在烘乾機裝置上後，將整個烘乾機提起直立，支腳著地。

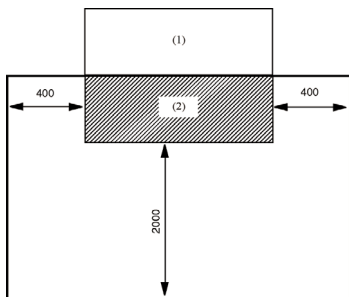
7. 在烘乾機兩側用四個六角螺栓 (2) 固定托架 (1)。檢查所有螺絲是否均已旋緊。



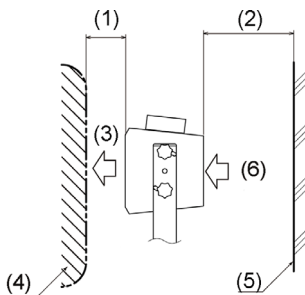
3 如何安裝烘乾機

安裝空間

下圖顯示了印表機 (1)、烘乾機 (2) 以及烘乾機周圍應預留的可用空間 (以公釐為單位)。烘乾機的高度為 870 公釐。



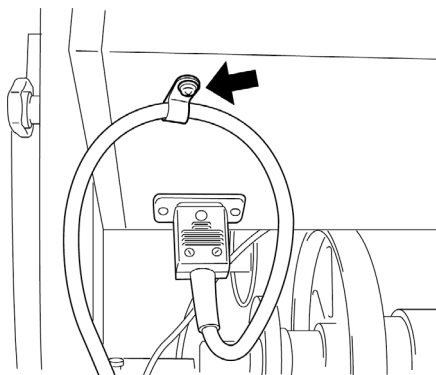
烘乾機與紙張從印表機 (4) 伸出的位置應至少距離 50 公釐 (1)，且進風口 (6) 與出風口 (3) 的位置應如下圖所示。進風口 (6) 應距離任何障礙物 (5) 至少 300 公釐 (2)。安裝烘乾機後，鎖定腳輪。



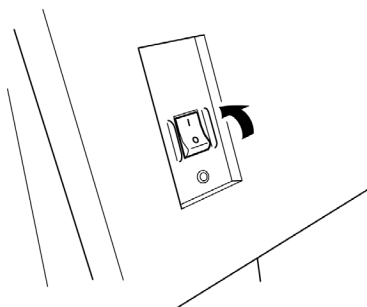
電源連接

1. 安裝烘乾機後，將電源線插入烘乾機的電源插座。

2. 打開電源線夾，將電源線穿過線夾，然後合上線夾以夾住電源線。如此可防止意外拔下插頭。

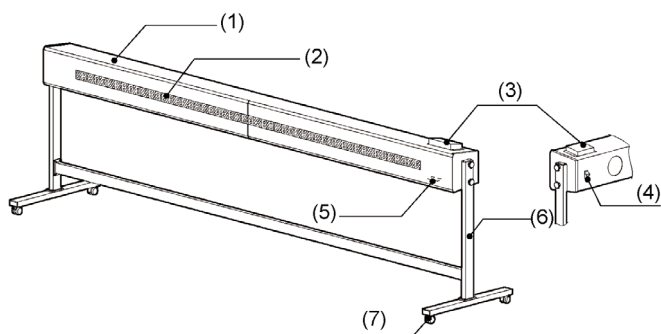


3. 確認烘乾機的主電源開關為關閉 (O)，然後將電源線的另一端插入合適的電源插座 (請參閱技術規格以取得詳細資料)。
4. 打開烘乾機的主電源開關。



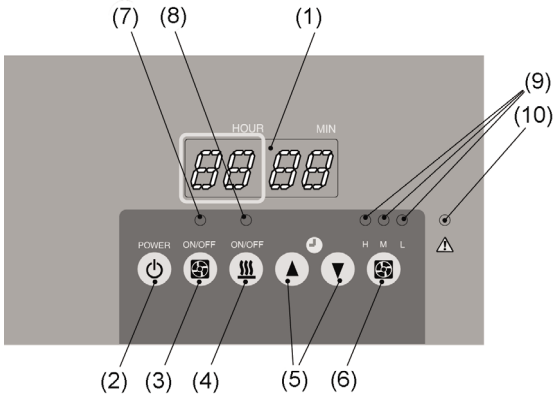
4 烘乾機元件

外部主要元件



1. 烘乾機裝置
2. 熱空氣出風口
3. 操作面板
4. 電源開關
5. 交流電輸入
6. 支架
7. 腳輪

操作面板元件



- 顯示面板：
 - 在計時器上顯示剩餘時間。
 - 按向上或向下計時器按鈕 (5)，以設定計時器 (最短 1 小時，最長 24 小時)。
- 電源按鈕：
 - 開啓或關閉烘乾機電源。
 - 如果在加熱器操作時關閉「電源」按鈕，風扇會繼續操作三分鐘，直到烘乾機徹底關閉。
- 風扇按鈕：開啓此按鈕，烘乾機開始通風。
- 加熱器按鈕：開啓此按鈕，烘乾機將排出熱空氣。
- 計時器按鈕：
 - 設定計時器。
 - 可設定長達 24 小時的操作 (顯示面板上會指示剩餘時間)。
 - 首次開啓電源時的預設值為 10 小時。
- 風量按鈕：
 - 變更風扇和加熱器的風量。
 - 風量可變更為高 (H)、中 (M)、低 (L)。
 - 首次開啓電源時的預設值為高 (H)。
- 風扇指示燈：在風扇運行時亮起。
- 加熱器指示燈：在加熱器運行時亮起。

9. 風量指示燈可指示風扇的三種風量等級：高 (H)、中 (M)、低 (L)。
10. 加熱器錯誤指示燈：當頂蓋溫度過高時會亮起。



小心 當加熱器錯誤指示燈亮起時，按下加熱器按鈕停止產生熱空氣，並以最大風量 (H) 通風約 10 分鐘，以便烘乾機內部冷卻。在烘乾機冷卻後，使用主電源開關關閉烘乾機，然後與本公司服務中心聯絡。

不要在關閉後立刻觸摸烘乾機，因為烘乾機仍然很熱。

5 如何使用烘乾機

基本操作程序

1. 按下電源按鈕 (2)，開啓烘乾機電源 (操作面板和風量指示燈會亮起)。
2. 按下加熱器按鈕 (4)，設定操作模式 (風扇指示燈 (7) 和加熱器指示燈 (8) 會亮起)。
 - 如果在按下加熱器按鈕 (4) 之前，先按下了風扇按鈕 (3)，則無法透過按下加熱器按鈕 (4) 來開啓加熱器。必須再次按下風扇按鈕 (3)，以使風扇指示燈 (7) 熄滅，然後再按下加熱器按鈕 (4)，以開始熱空氣操作 (風扇指示燈 (7) 和加熱器指示燈 (8) 都應亮起)。
 - 在加熱器關閉後開啓風扇約三分鐘，此時再按下加熱器按鈕 (4)，即可重新開始熱空氣操作。
3. 計時器用於設定烘乾機的操作時間，可以設定的最長時限為 24 小時。
 - 計時器預設值為 10 小時。
 - 在三分鐘的冷卻過程中，您無法變更計時器上的時間。



注意 當計時器上的剩餘時間達到 0 時，風扇不再排出熱空氣。但在停止排出熱空氣後，風扇會繼續操作三分鐘，以便烘乾機冷卻。

4. 按下風量按鈕 (6) 可調節風扇風量。
5. 按下加熱器按鈕 (4) 會停止熱空氣操作。停止產生熱空氣後，風扇會繼續操作三分鐘。
6. 關閉主電源開關可終止操作。



注意 即使沒有先關閉加熱器 (使用加熱器按鈕 [4])，而直接按下電源按鈕 (2)，風扇仍會繼續操作三分鐘。



小心 不要坐在或斜靠在烘乾機上，烘乾機無法支撐您的重量。

在加熱器停止操作後，請務必等至風扇完成其三分鐘冷卻操作，然後再關閉主電源開關。如果提前關閉主電源開關，風扇將會停止運行，而加熱器上的剩餘熱量則會導致內部溫度升高，最終可能會損壞烘乾機。除此之外，烘乾機表面過熱可能會造成灼傷。如果意外關閉了主電源開關，或是拔下了電源線，請重新開啓電源，將風扇的風量設為高並至少運行 5 分鐘，以便烘乾機冷卻。

如果意外拔下了電源線，請勿接觸烘乾機，因為烘乾機仍然很熱。

墨水不會立即乾燥。確保剛列印的紙張不會碰到任何物件。

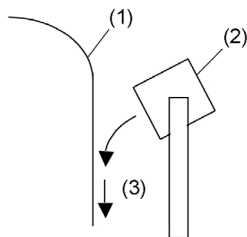
如果烘乾機離紙張太近，可能會損壞列印紙張。確保烘乾機距離紙張至少 50 公釐。

如果烘乾機進風口被灰塵堵塞，內部溫度將會升高，從而可能會導致故障。請定期清潔進風口。

有效率地使用烘乾機

熱空氣的方向

如圖所示，將烘乾機機身稍微向下傾斜。這樣熱空氣會順著紙張的表面吹過，提高乾燥效率。



1. 紙張
2. 烘乾機
3. 熱空氣

風量設定

風量可設為三種等級。烘乾機使用常導體加熱器，因此當風量增加時溫度會降低，當風量減少時溫度會升高。為提高乾燥效率，建議在熱空氣操作過程中使用高風量 (H)。

當室溫較低時

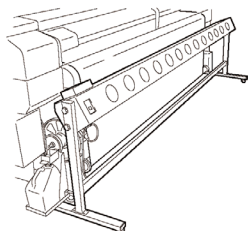
請務必開啓加熱器，以使室溫下的烘乾機氣流溫度始終保持在 +10 到 20 °C。為乾燥列印的紙張，需要將溫度適當提高。為提高乾燥效率，室溫應保持在 20 °C。

配備/未配備捲紙軸裝置的紙張設定

配備/未配備捲紙軸裝置的紙張設定如下所示。

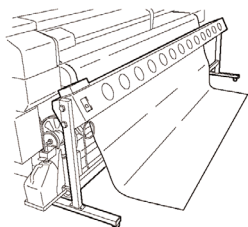
- **配備捲紙軸裝置：**

如下圖所示，確定相對於烘乾機的位置。



- **未配備捲紙軸裝置：**

如下圖所示，將紙張從烘乾機腳架中拉出。



注意 不要將紙張拉出過多，以免已列印的表面接觸到烘乾機。

6 維護與清潔

維護

應定期檢查烘乾機是否有問題。如果發現問題，可進行現場維修服務；如有必要，可送到服務中心維修。

清潔

如果烘乾機表面變的很髒，您可用中性洗潔劑濕潤軟布，然後擰乾軟布進行擦拭。



小心 清潔之前，請關閉烘乾機電源開關。

請勿使用稀釋劑、苯或其他非揮發性溶劑以清潔烘乾機；這些可能會造成烘乾機表面塗層脫落或褪色。

7 技術規格

項目	規格
尺寸	3310 (W) x 610 (D) x 870 (H) 公釐
重量	60 公斤以下
色彩	碳纖黑
最大紙張寬度	2600 公釐
加熱器類型	插鞘式加熱器
預熱時間	10 分鐘以內
紙張通道	捲繞或平直輸出
熱空氣溫度	環境溫度 + 10 °C 以上
風量控制	三種等級：高、中、低
計時器	範圍：1 至 24 小時 (單位：1 小時) (誤差：± 1%/h)
符合規則和標準	EN55022 A 級 FCC 15B 部分 A 級 VCCI A 級 CSA CE
耗電量	3300 瓦以內
輸入電源電壓	180 至 253 伏特交流電
輸入電源頻率	50/60 赫茲 ± 1 赫茲
瞬時斷電	20 毫秒以上

項目	規格
突波電流	35 安培以內
接地	D 類接地 (第 3 類接地)
操作溫度與濕度範圍	溫度：15 至 30 °C 濕度：相對濕度 30% 至 70% (無水氣凝結)
存放溫度與濕度範圍	溫度：5 至 35 °C 濕度：相對濕度 10% 至 80% (無水氣凝結)
防塵等級	類似辦公環境
通風	建議採用通風設備以除臭。
安裝空間	出口：50 公釐以上 入口：300 公釐以上

8 法律資訊

有限保固—HP Designjet 104 英吋高速烘乾機

HP 產品	有限保固期
硬體產品	1 年(自顧客購買硬體之日起)

A. HP 有限保固範圍

1. 本 Hewlett-Packard (HP) 有限保固是 HP 為最終顧客提供的明示保固權利。除此之外，在地方法令允許或與 HP 簽訂特殊書面合約的情況下，您還可以享有其他法律權利。
2. HP 向您保證，在以上指定的有限保固期限內，上述 HP 產品在材料與成品上均無缺陷。有限保固期自購買日開始算起。標有產品購買日期的銷售收據或送貨收據，是您購買日期的憑證。取得保固服務時，您可能需要提供購買憑證。如果在有限保固的期限內您的 HP 產品需要維修或更換，您有權根據本文件中所述的條款與條件享受保固服務。
3. 對於軟體產品，HP 有限保固僅適用於軟體無法執行程式指令的情況。HP 不保證所有產品操作均不會發生中斷或完全無錯。
4. HP 有限保固僅涵蓋按使用指南中所定義正常使用 HP 產品所造成的結果，由下列原因所造成的結果不在本保固範圍內：
 - a. 不正確或不適當的維護；
 - b. 非由 HP 所提供或支援的介面或零件；或
 - c. 在不符合產品規格的情況下操作。

HP Designjet 104 英吋高速烘乾機的例行性維護作業，如清潔與預防性維護服務 (包括所有預防性維護套件中的零件與 HP 維修工程師的到府服務)，並不包括在 HP 的有限保固範圍內。

5. 對於有瑕疵的 HP 產品，您將享有下列專有補償：
 - a. 在此有限保固期內，HP 會更換涵蓋於此有限保固內任何有瑕疵的 HP 耗材產品，並會為您提供另一個產品以便更換有瑕疵的產品。
 - b. 在有限保固期內，HP 可自行決定現場維修或是更換任何有瑕疵的硬體產品或元件零件。如果 HP 選擇更換元件零件，HP 會向您提供 (i) 更換的零件，以換回有瑕疵的零件；(ii) 遠端零件安裝援助 (如有需要)。
 - c. 在極少情況下，如果 HP 無法修理或更換 (如果適用) 此有限保固涵蓋的缺陷產品，則 HP 會在獲悉該缺陷之後的合理時間內，依照該產品的購買價格退款。

6. 在您將有瑕疵的硬體產品或元件零件退回 HP 之前，HP 沒有更換該產品或退款的義務。在本有限保固範圍內換下的所有元件、零件或硬體產品均為 HP 的財產。儘管上述說明，HP 可能會放棄要求您退回有瑕疵的零件。
7. 除非另外聲明並在地方法令允許的範圍之內，否則 HP 產品可使用新型材料製造，或使用回收後再製的材料(效能與可靠性與新材料相同)進行製造。HP 可以使用下列產品來維修與更換產品：(i) 使用與要維修或更換產品相同的產品，但可能為已使用過的產品；或 (ii) 使用與停用的原始產品相同的產品。
8. 此有限保固適用於所有國家/地區，在 HP 或其授權服務供應商提供保固服務並且 HP 銷售此產品的任何國家/地區，本有限保固服務可能會強制執行，視有限保固中事先聲明的條款與條件而定。然而，各個國家/地區可用的保固服務與回應時間可能會不同。HP 不會由於法律或法規原因而改變產品的樣式、外觀或功能，以使其能在不適用的國家/地區操作。
9. 關於附加的保固服務合約，只要該列出的 HP 產品是由 HP 或授權進口商分銷的，則適用於任何授權的 HP 維修機構。
10. 在地方法令允許的範圍內，除此有限保固事先明示之外，HP 或其協力廠商供應商對 HP 產品不提供任何其他形式(包括明示或暗示)的保固或條件，並特別否認對有關適銷性、品質的滿意度以及適用特定用途的隱含保固或條件。

B. 有限之賠償責任

在地方法令允許的範圍內，除本有限保固中特別聲明的義務之外，在任何情況下，HP 或其協力廠商供應商對於任何直接、間接、特殊、偶然或引發的損失(包括任何利潤或財產損失)概不負責；不論這是基於合約、侵權或其他法律理論，也不管是否曾獲悉有該類損失的可能性。

C. 地方法令

1. 本有限保固賦予您具體的法律權利。您也可享有其他的權利，這些權利可能在美國因州而異、在加拿大因省而異、在世界各地則因國家/地區而異。建議您諮詢適當的州、省或國家/地區法令，以瞭解您的完整權限。
2. 如果本保固聲明與地方法令不一致，則可能需修改本保固聲明而使它與地方法令一致。除了法律允許的範圍外，本有限保固中包含的保固條款不得拒絕、限制或修改，並且只要您購買 HP 產品，就賦予這些法定權利。

修訂日期：2006 年 7 月 21 日

Regulatory notices

Regulatory Model Number

For regulatory identification purposes, HP has assigned a Regulatory Model Number (RMN). The Regulatory Model Number for your product is as follows:

RMN	Product family
BCLAA-0607	HP Designjet High Speed Dryer - 104 inch

The Regulatory Model Number (RMN) should not be confused with the marketing name (HP Designjet High Speed Dryer - 104 inch) or product number.

Regulatory statements

Europe



警告！ This is a class A product. In a domestic environment this product may cause radio interference, in which case the user may be required to take adequate measures.

USA

Electro-Magnetic Compatibility (EMC)

FCC statements (U.S.A.)

The U.S. Federal Communications Commission (in 47 cfr15.105) has specified that the following notices be brought to the attention of users of this product.

Shielded cables

Use of shielded data cables is required to comply with the Class A limits of Part 15 of the FCC Rules.



小心 Pursuant to Part 15.21 of the FCC Rules, any changes or modifications to this equipment not expressly approved by the Hewlett-Packard Company may cause harmful interference and void the FCC authorization to operate this equipment.

This equipment has been tested and found to comply with the limits for a Class A digital device, pursuant to part 15 of the FCC Rules. These limits are designed to provide reasonable protection against harmful interference in a commercial environment. This equipment generates, uses, and can radiate radio frequency energy and, if not installed and used in accordance with the instructions, may cause harmful interference to radio communications. Operation of this equipment in a residential area is likely to cause harmful interference, in which case users will be required to correct the interference at their own expense.

Canada

Normes de sécurité (Canada)

Le présent appareil numérique n'émet pas de bruits radioélectriques dépassant les limites applicables aux appareils numériques de Classe A prescrites dans le règlement sur le brouillage radioélectrique édicté par le Ministère des Communications du Canada.

DOC statement (Canada)

This digital apparatus does not exceed the Class A limits for radio noise emissions from digital apparatus set out in the Radio Interference Regulations of the Canadian Department of Communications.

Korea

Korean EMI statement

사용자 안내문 : A 급 기기

이 기기는 업무용으로 전자파적합등록을 받은 기기이오니, 판매자 또는 사용자는 이 점을 주의하시기 바라며, 만약 잘못 구입 하셨을 때에는 구입한 곳에서 비업무용으로 교환하시기 바랍니다.

Taiwan

Taiwanese EMI statement

警告使用者:這是甲類的資訊產品,在居住的環境中使用時,可能會造成射頻干擾,在這種情況下,使用者會被要求採取某些適當的對策。

China

Chinese EMI statement

此为A级产品,在生活环境中,该产品可能会造成无线电干扰。在这种情况下,可能需要用户对其干扰采取切实可行的措施。

Germany

Sound

Geräuschemission (Germany) LpA < 70 dB, am Arbeitsplatz, im Normalbetrieb, nach DIN45635 T. 19.

Address

Hewlett-Packard Company

Manager of Corporate Product Regulations

3000 Hanover Street

Palo Alto, CA 94304

650/857-1501

Declaration of Conformity (DoC No: BCLAA-0607-01)

according to ISO/IEC 17050-1 and EN 17050-1

Supplier's name:	Hewlett-Packard Company
Supplier's address:	Avenida Graells, 501 08174 Sant Cugat del Vallès Barcelona, Spain

declares that the product

Regulatory Model Number ⁽²⁾ :	BCLAA-0607
Product family:	HP Designjet High Speed Dryer - 104 inch
Product options:	All

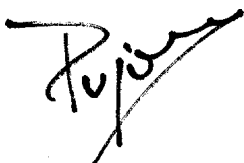
conforms to the following product specifications

Safety:	IEC 60950-1:2001 / EN 60950-1:2001
EMC:	CISPR 22:1997+A1:2000+A2:2002 EN 55022:04 +A1:1995 +A2:1997 Class A ^{(1) (3)} EN 55024:1998+A1:2001+A2:2003 EN 61000-3-2:2000 / IEC 61000-3-3:2000 EN 61000-3-3:1995+A1:2001 / IEC 61000-3-3 / A1:2001 FCC Title 47 CFR, Part 15 Class A ^{(2) (3)}

Additional information

The product herewith complies with the requirements of the Low-Voltage Directive 73/23/EEC and the EMC Directive 89/336/EEC, and carries the CE marking accordingly.

1. The product was tested in a typical configuration with HP Personal Computer Systems and peripherals.
2. This device complies with Part 15 of the FCC Rules. Operation is subject to the following two conditions:
 - This device may not cause harmful interference.
 - This device must accept any interference received, including interference that may cause undesired operation.
3. The product is assigned a Regulatory Model Number which stays with the regulatory aspect of the design. The Regulatory Model Number is the main product identifier in the regulatory documentation and test reports; this number should not be confused with the marketing name or the product numbers.



Josep-Maria Pujol

Hardware Quality Manager

Sant Cugat del Vallès (Barcelona)

June 12th, 2006

Local contacts for regulatory topics only

Contact in Europe: Hewlett-Packard GmbH, HQ-TRE, Herrenberger Strasse 140, 71034 Böblingen, Germany.

Contact in the USA: Hewlett-Packard Company, HPCC, 20555 S.H. 249 Houston, Texas 77070, USA °

Contact in Australia: Hewlett-Packard Australia Ltd, Product Regulations Manager, 31 - 41 Joseph Street, Blackburn, Victoria 3130, Australia.



Printed on at least 50% total recycled fiber
with at least 10% post-consumer paper

© 2006 Hewlett-Packard Development Company, L.P.

Printed in XXXXXX Imprimé en XXXXXX Stampato in XXXXXX

www.hp.com



Q6694-90004

