

Memory Modules

User Guide

© Copyright 2007 Hewlett-Packard
Development Company, L.P.

The information contained herein is subject to change without notice. The only warranties for HP products and services are set forth in the express warranty statements accompanying such products and services. Nothing herein should be construed as constituting an additional warranty. HP shall not be liable for technical or editorial errors or omissions contained herein.

First Edition: January 2007

Document Part Number: 435298-001

Table of contents

Replacing a memory module

Index 5

Replacing a memory module

The computer has one memory module compartment, which is located on the bottom of the computer. The memory capacity of the computer can be increased by upgrading the existing memory module in the memory module slot.



WARNING! To reduce the risk of electric shock and damage to the equipment, unplug the power cord and remove all batteries before installing a memory module.



CAUTION Electrostatic discharge (ESD) can damage electronic components. Before beginning any procedure, be sure that you are discharged of static electricity by touching a grounded metal object.

To replace a memory module:

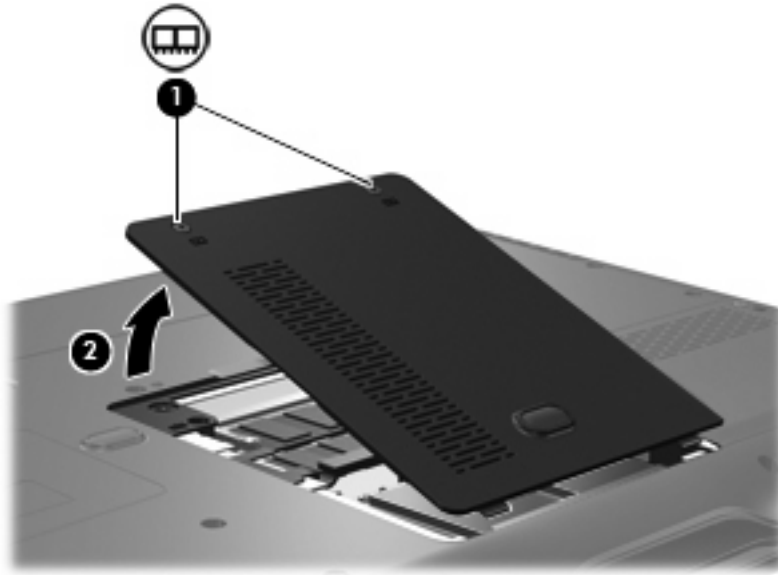
1. Save your work and close all open programs.



NOTE If the computer is in the Sleep state or in Hibernation, you must first exit Sleep or Hibernation before shutdown is possible.

2. Click **Start**, click the arrow next to the Lock button, and then click **Shut Down**.
3. Close the display.
4. Disconnect all external devices connected to the computer.
5. Unplug the power cord from the AC outlet.
6. Turn the computer upside down on a flat surface.
7. Remove the battery from the computer.
8. Loosen the memory module compartment cover screws **(1)**.

9. Lift the memory module compartment cover (2) away from the computer.



10. Remove the memory module:

- a. Pull away the retention clips (1) on each side of the memory module.

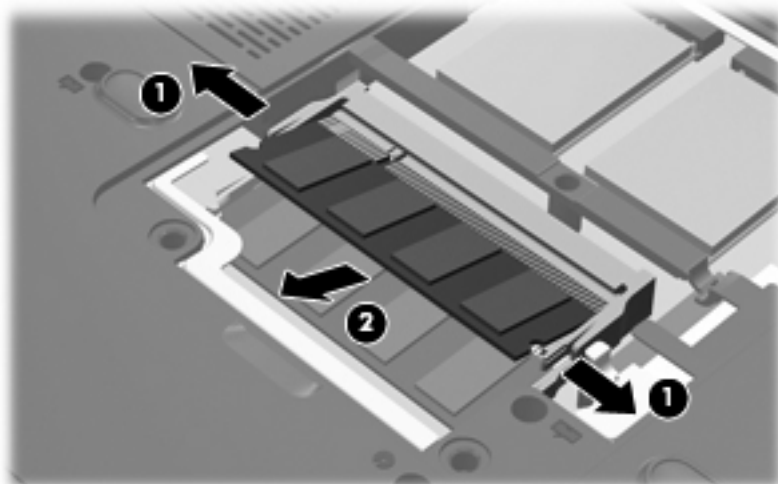
The memory module tilts up.



CAUTION To prevent damage to the memory module, hold the memory module by the edges only. Do not touch the components on the memory module.


- b. Grasp the edge of the memory module (2), and gently pull the module out of the memory module slot.

To protect a memory module after removal, place it in an electrostatic-safe container.

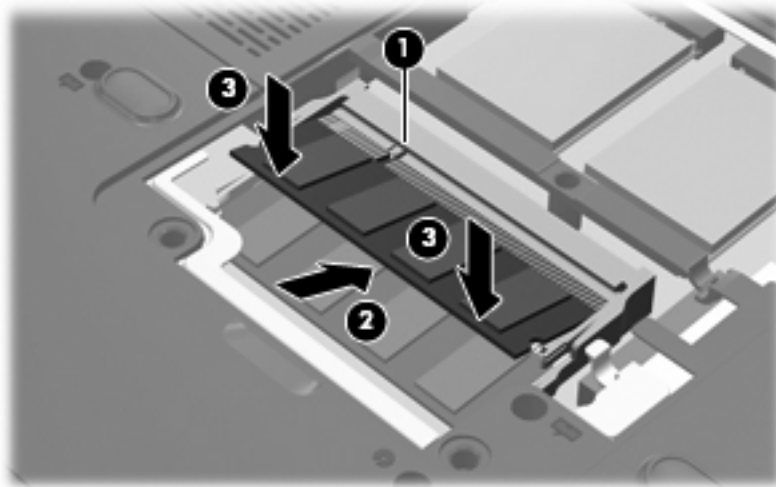


11. Insert a new memory module:

- a. Align the notched edge (1) of the memory module with the tab in the memory module slot.

 **CAUTION** To prevent damage to the memory module, hold the memory module by the edges only. Do not touch the components on the memory module and do not bend the memory module.

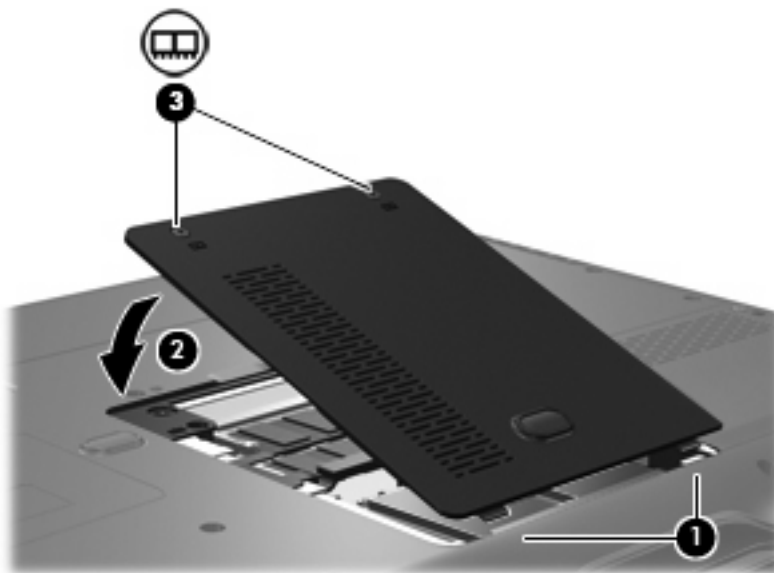
- b. With the memory module at a 45-degree angle from the surface of the memory module compartment, press the module (2) into the memory module slot until it is seated.
- c. Gently press the memory module (3) down, applying pressure to both the left and right edges of the memory module, until the retention clips snap into place.



- 12.** Align the tabs (1) on the memory module compartment cover with the notches on the computer.

- 13.** Close the cover (2).

- 14.** Tighten the memory module compartment cover screws (3).



15. Replace the battery.
16. Reconnect external power and external devices.
17. Turn on the computer.

Index

M

memory

 replacing memory modules 1

memory module

 inserting 3

 removing 2

 replacing 1

memory module compartment

 cover

 removing 2

 replacing 3

