

Drives

User Guide

© Copyright 2007 Hewlett-Packard
Development Company, L.P.

The information contained herein is subject to change without notice. The only warranties for HP products and services are set forth in the express warranty statements accompanying such products and services. Nothing herein should be construed as constituting an additional warranty. HP shall not be liable for technical or editorial errors or omissions contained herein.

First Edition: January 2007

Document Part Number: 430303-001

Table of contents

1 Handling drives	
2 Drive light	
3 Hard drives	
Replacing the hard drive	3
4 Optical drives	
Inserting an optical disc	7
Removing an optical disc when running on battery or external power	8
Removing an optical disc when no computer power is available	9
Avoiding the Sleep state or Hibernation	10
Index	11

1 Handling drives

Drives are fragile computer components that must be handled with care. Refer to the following cautions before handling drives. Additional cautions are included with the procedures to which they apply.



CAUTION To reduce the risk of damage to the computer, damage to a drive, or loss of information, observe these precautions:

Before you move a computer or external hard drive from one location to another, initiate Sleep, and allow the screen to clear.

Before handling a drive, discharge static electricity by touching the unpainted metal surface of the drive.

Do not touch the connector pins on a removable drive or on the computer.

Handle a drive carefully; do not drop a drive or place items on it.

Before removing or inserting a drive, shut down the computer. If you are unsure whether the computer is off or in Hibernation, turn the computer on, and then shut it down through the operating system.

Do not use excessive force when inserting a drive into a drive bay.

Do not type on the keyboard or move the computer while the optical drive is writing to a disc. The write process is sensitive to vibration.

When the battery is the only source of power, be sure that the battery is sufficiently charged before writing to media.

Avoid exposing a drive to temperature or humidity extremes.

Avoid exposing a drive to liquids. Do not spray the drive with cleaning products.

Remove media from a drive before removing the drive from the drive bay, or traveling with, shipping, or storing a drive.

If a drive must be mailed, place the drive in a bubble-pack mailer or other suitable protective packaging and label the package "FRAGILE."

Avoid exposing a drive to magnetic fields. Security devices with magnetic fields include airport walk-through devices and security wands. The airport security devices that check carry-on luggage, such as conveyor belts, use x-rays instead of magnetism and will not damage a drive.

2 Drive light

The drive light blinks when either the primary hard drive or an optical drive is being accessed.



3 Hard drives

Replacing the hard drive



CAUTION To prevent system lockup and loss of information:

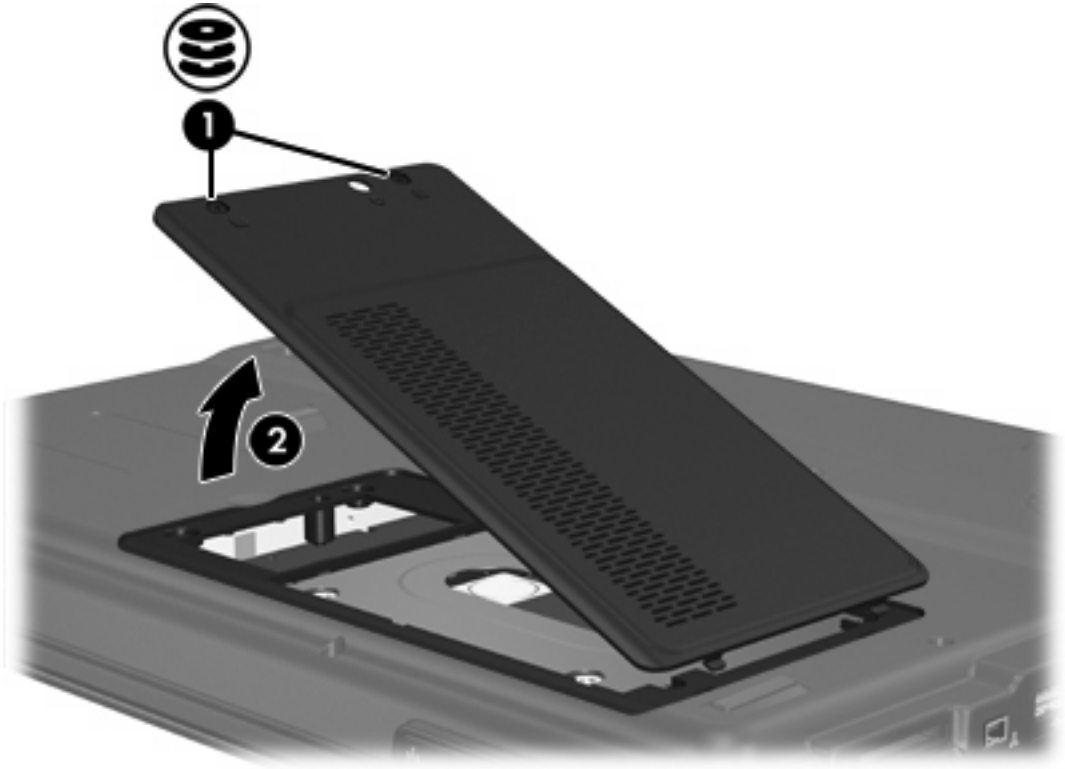
Shut down the computer before removing the hard drive from the hard drive bay. Do not remove the hard drive while the computer is on, in the Sleep state, or in Hibernation.

If you are not sure whether the computer is off or in Hibernation, turn the computer on by pressing the power button. Then shut down the computer through the operating system.

To remove the hard drive:

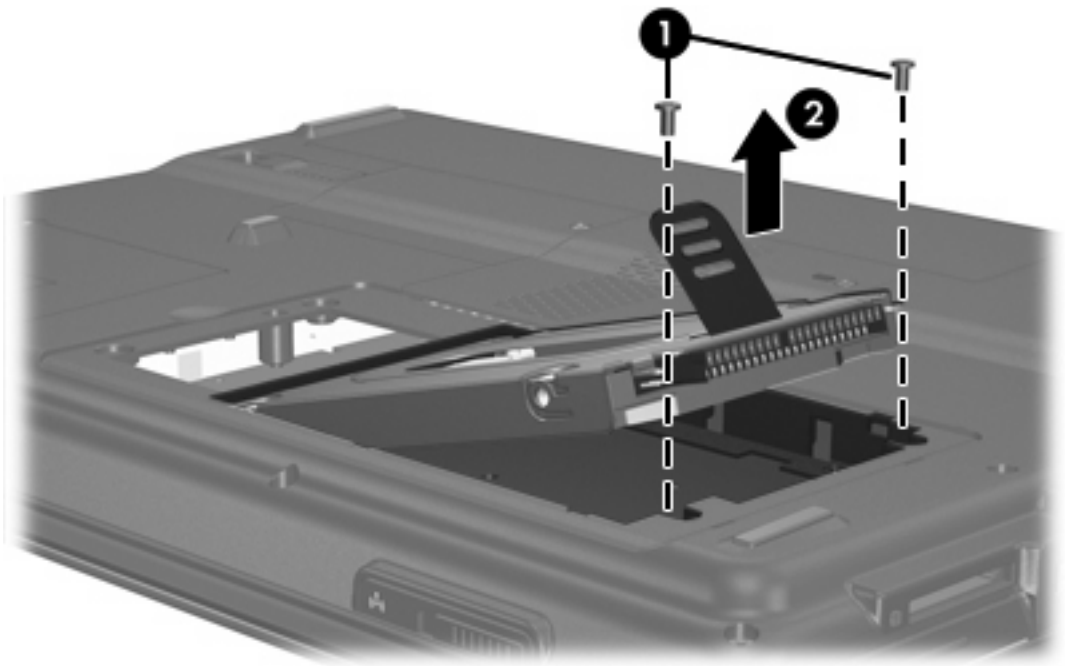
1. Save your work.
2. Shut down the computer and close the display.
3. Disconnect all external devices connected to the computer.
4. Unplug the power cord from the AC outlet.
5. Turn the computer upside down on a flat surface.
6. Remove the battery from the computer.
7. With the hard drive bay toward you, loosen the 2 hard drive cover screws **(1)**.

8. Lift the hard drive cover away from the computer (2).



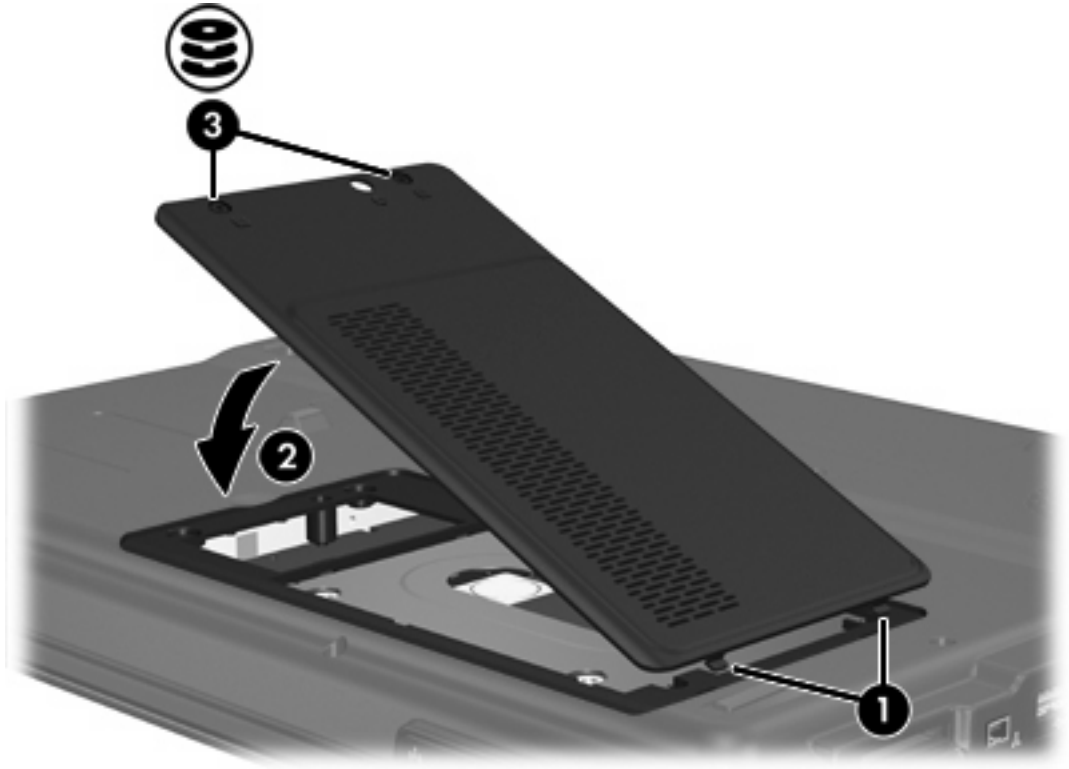
9. Remove the 2 hard drive screws (1).

10. Pull the hard drive tab up (2), and then lift the hard drive away from the computer.



To install a hard drive:

1. Insert the hard drive into the hard drive bay.
2. Gently press the hard drive down until it snaps into place **(1)**.
3. Replace the 2 hard drive screws **(2)**.
4. Align the tabs **(1)** on the hard drive cover with the notches on the computer.
5. Close the cover **(2)**.
6. Tighten the hard drive cover screws **(3)**.



4 Optical drives

The computer can read or write to optical drives as described in the following table.

Type of optical drive	Read CD and DVD-ROM	Write to CD-RW	Write to DVD \pm RW/R	Write to DVD+R DL
DVD/CD-RW Drive	Yes	Yes	No	No
DVD \pm RW Double Layer	Yes	Yes	Yes	Yes
LightScribe DVD \pm RW Double Layer	Yes	Yes	Yes	Yes



NOTE Some of the optical drives listed may not be supported by your computer. The listed drives are not necessarily all of the supported optical drives.

An optical drive, such as a DVD-ROM drive, supports optical discs (CDs and DVDs). These discs are used to store or transport information and to play music and movies. DVDs have a higher capacity than CDs.

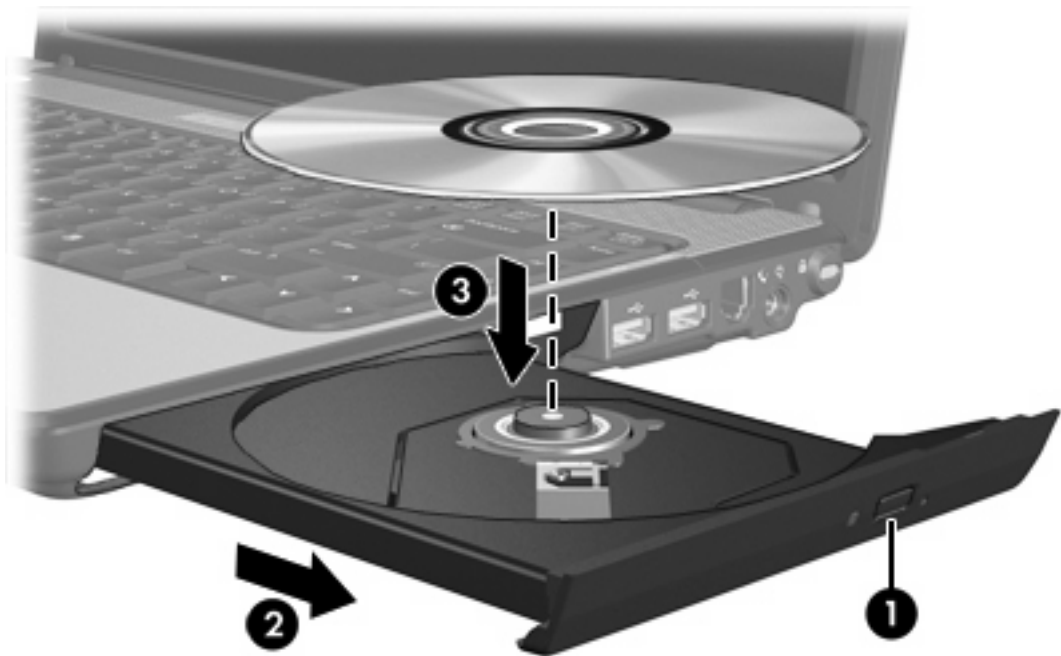
Inserting an optical disc

1. Turn on the computer.
2. Press the release button (1) on the drive bezel to release the media tray.
3. Pull out the tray (2).
4. Hold the disc by the edges to avoid touching the flat surfaces and position the disc label-side up over the tray spindle.



NOTE If the tray is not fully accessible, tilt the disc carefully to position it over the spindle.

5. Gently press the disc (3) down onto the tray spindle until the disc snaps into place.



6. Close the media tray.



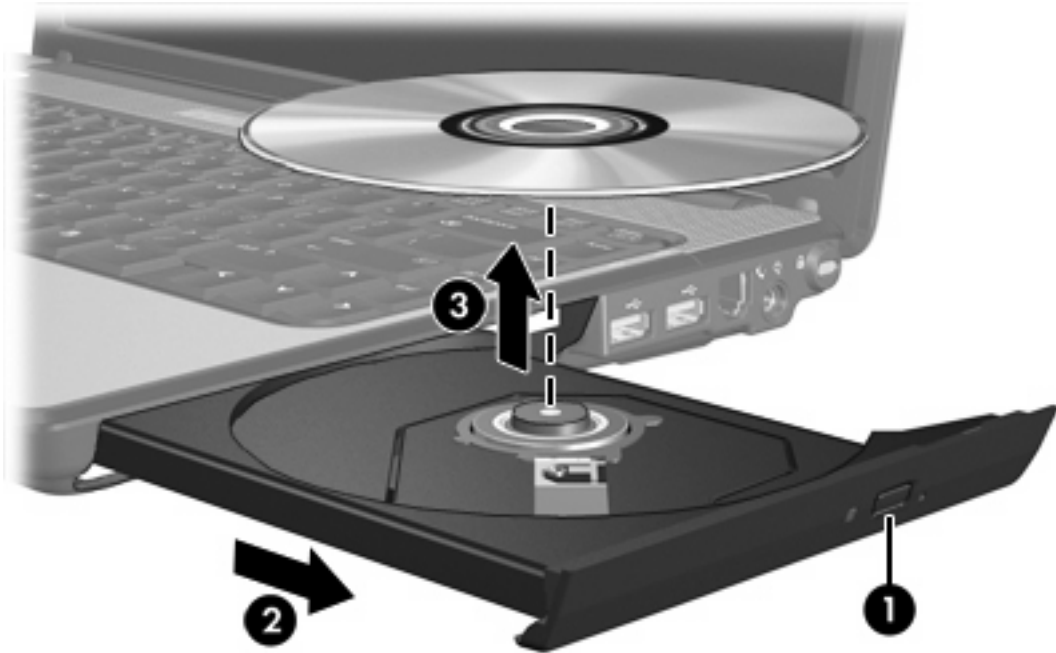
NOTE After you insert a disc, a short pause is normal. If you have not selected a media player, an AutoPlay dialog box opens. It prompts you to select how you want to use the media content.

Removing an optical disc when running on battery or external power

1. Press the release button **(1)** on the drive bezel to release the media tray, and then gently pull out the tray **(2)** until it stops.
2. Remove the disc **(3)** from the tray by gently pressing down on the spindle while lifting the outer edges of the disc. Hold the disc by the edges and avoid touching the flat surfaces.



NOTE If the tray is not fully accessible, tilt the disc carefully as you remove it.



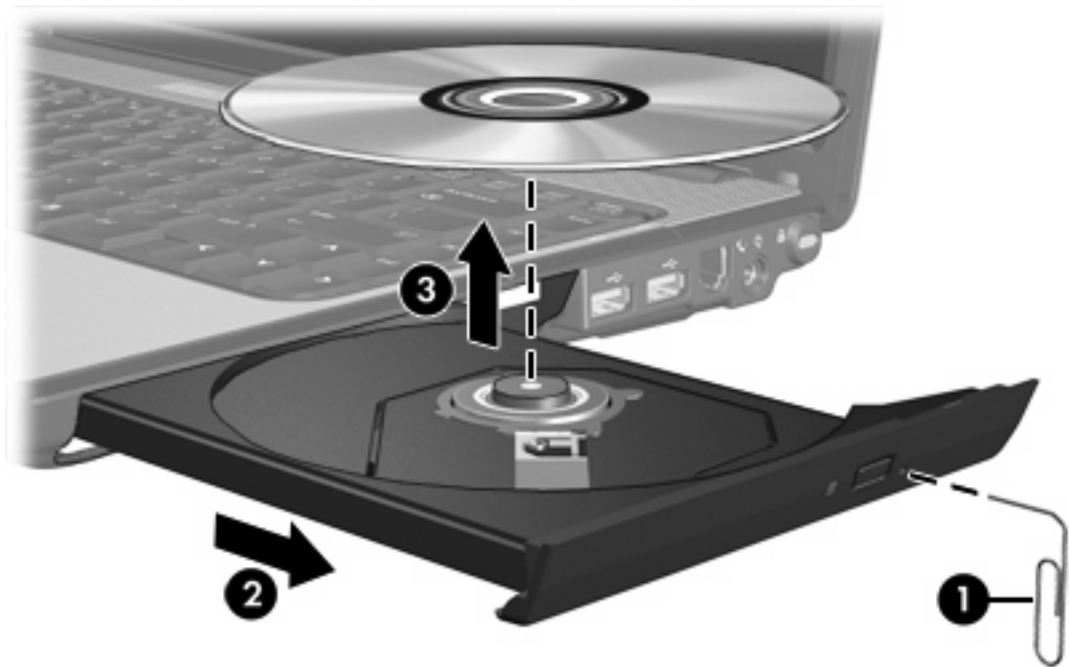
3. Close the media tray and place the disc in a protective case.

Removing an optical disc when no computer power is available

1. Insert the end of a paper clip (1) into the release access in the front bezel of the drive.
2. Press in gently on the paper clip until the tray is released, and then pull out the tray (2) until it stops.
3. Remove the disc (3) from the tray by gently pressing down on the spindle while lifting the outer edges of the disc. Hold the disc by the edges and avoid touching the flat surfaces.



NOTE If the tray is not fully accessible, tilt the disc carefully as you remove it.



4. Close the media tray and place the disc in a protective case.

Avoiding the Sleep state or Hibernation



CAUTION To prevent possible audio and video degradation, or loss of audio or video playback functionality, do not initiate Sleep or Hibernation while reading or writing to a CD or DVD.

To prevent loss of information, do not initiate Sleep or Hibernation when writing to a CD or DVD.

If Sleep or Hibernation is initiated during playback of drive media (such as a CD or DVD), the computer will behave in one of the following ways:

- Your playback may be interrupted.
- You may see a warning message asking if you want to continue. If this message is displayed, click **No**.
- You may need to restart the CD or DVD to resume audio and video playback.

Index

A

airport security devices 1

C

CD

inserting 7

removing, with power 8

removing, without power 9

CD drive 6

D

drive light 2

drives

caring for 1

drive light 2

hard 3, 5

optical 6

See *also* hard drive, optical drive

DVD

inserting 7

removing, with power 8

removing, without power 9

DVD drive 6

H

hard disk drive

installing 5

removing 3

replacing 3

hard drive

installing 5

removing 3

replacing 3

Hibernation 10

L

light, drive 2

O

optical disc

inserting 7

removing, with power 8

removing, without power 9

optical drive 6

S

Sleep 10

