

External Media Cards

Document Part Number: 430244-001

January 2007

This guide explains how to use external media cards.

Contents

1 Digital Media Slot cards (select models only)

Inserting a digital card	1-2
Stopping or removing a digital card.	1-3

2 PC Cards (select models only)

Inserting a PC Card	2-1
Stopping or removing a PC Card.	2-4

3 Smart cards (select models only)

Inserting a smart card.	3-1
Removing a smart card.	3-3

4 ExpressCards (select models only)

Selecting an ExpressCard.	4-2
Inserting an ExpressCard	4-3
Stopping or removing an ExpressCard	4-6

Digital Media Slot cards (select models only)

Optional digital cards provide secure data storage and convenient data sharing. These cards are often used with digital-media-equipped cameras and PDAs as well as with other computers.

The Digital Media Slot supports the following digital card formats:

- Secure Digital (SD) Memory Card
- MultiMediaCard (MMC)
- Memory Stick (MS)
- Memory Stick Pro (MSP)
- Memory Stick Duo
- SmartMedia Card
- xD-Picture Card



CAUTION: To use a Memory Stick Duo card with the Digital Media Slot, an adapter (purchased separately) is required. Inserting a Memory Stick Duo card directly into the Digital Media Slot can damage the Memory Stick Duo card, the computer, or both.



Your computer may look slightly different from the illustrations in this chapter.

Inserting a digital card



CAUTION: To prevent damage to the digital card connectors, use minimal force to insert a digital card.

To insert a digital card:

1. Hold the digital card label-side up, with the connectors facing the computer.
2. Gently slide the card into the Digital Media Slot until the card is seated.

When you insert a digital card, you will hear a sound when the device has been detected, and a menu of available options may be displayed.



Stopping or removing a digital card



CAUTION: To prevent loss of information or an unresponsive system, stop the digital card before removing it.

To stop or remove a digital card:

1. Close all files and applications that are associated with the digital card.



To stop data transfer, click **Cancel** in the operating system Copying window.

2. To stop the digital card:

- a. Double-click the **Safely Remove Hardware** icon in the notification area, at the far right of the taskbar.



To display the Safely Remove Hardware icon, click the **Show Hidden Icons** icon (< or <<) in the notification area.

- b. Click the digital card listing.
- c. Click **Stop**, and then click **OK**.

3. Press in on the digital card **1** to release it, and then remove the card from the slot **2**.



PC Cards (select models only)

A PC Card (select models only) is a credit card–sized accessory designed to conform to the standard specifications of the Personal Computer Memory Card International Association (PCMCIA). The PC Card slot supports

- 32-bit (CardBus) and 16-bit PC Cards.
- One Type I or Type II PC Cards.



Zoomed video PC Cards and 12-V PC Cards are not supported.

Inserting a PC Card



CAUTION: To prevent loss of support for other PC Cards, install only the software required for the device. If you are instructed by the PC Card manufacturer to install device drivers:

- Install only the device drivers for your operating system.
 - Do not install any other software, such as card services, socket services, or enablers, supplied by the PC Card manufacturer.
-



CAUTION: To prevent damage to the computer and external media cards, insert PC Cards, ExpressCards, and smart cards into *only* the slots designed for them. For example, do not insert an ExpressCard into a PC Card slot or smart card reader.

To prevent damage to the connectors:

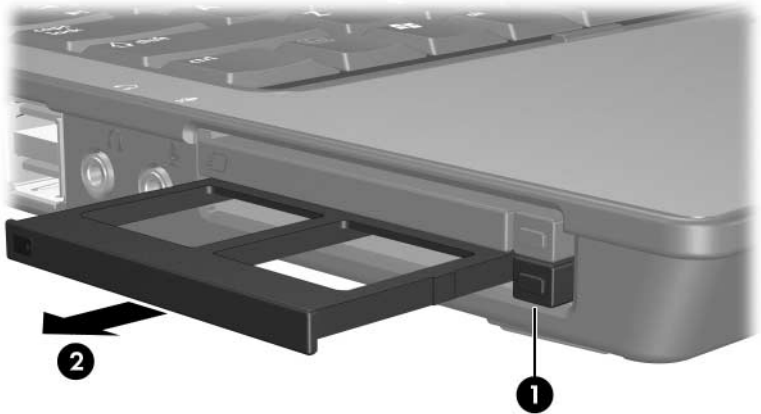
- Use minimal force to insert a PC Card.
 - Do not move or transport the computer when a PC Card is in use.
-



Your computer may look slightly different from the illustrations in this chapter.

The PC Card slot contains a protective insert. The insert must be released and then removed before you can insert a PC Card.


1. To release and remove the PC Card slot insert:
 - a. Press the PC Card eject button **1**.
This action extends the button into position for releasing the insert.
 - b. Press the eject button again to release the insert.
 - c. Pull the insert out of the slot **2**.

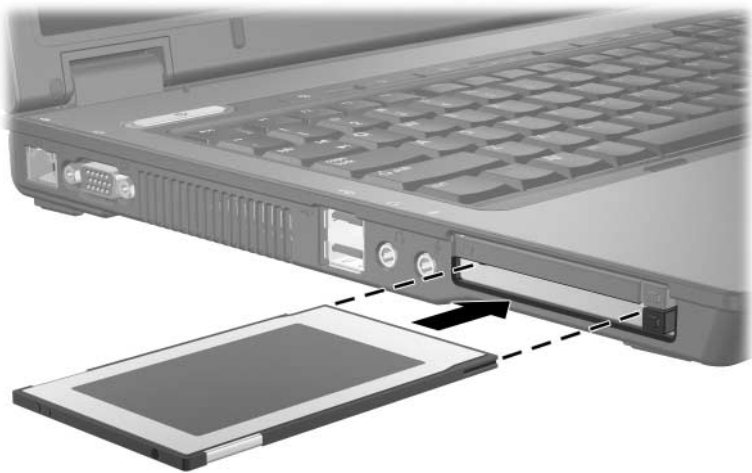


2. To insert a PC Card:

- a. Hold the PC Card label-side up, with the connector facing the computer.
- b. Gently slide the card into the PC Card slot until the card is seated.

When you insert a PC Card, you will hear a sound when the device has been detected, and a menu of available options may be displayed.

 The first time you insert a PC Card, the “Installing device driver software” message is displayed in the notification area, at the far right of the taskbar.



An inserted PC Card uses power even when idle. To conserve power, stop or remove a PC Card when it is not in use.

Stopping or removing a PC Card



CAUTION: To prevent loss of information or an unresponsive system, stop a PC Card before removing it.

To stop or remove a PC Card:

1. Close all applications and complete all activities that are associated with the PC Card.



To stop data transfer, click **Cancel** in the operating system Copying window.

2. To stop the PC Card:

- a. Double-click the **Safely Remove Hardware** icon in the notification area, at the far right of the taskbar.

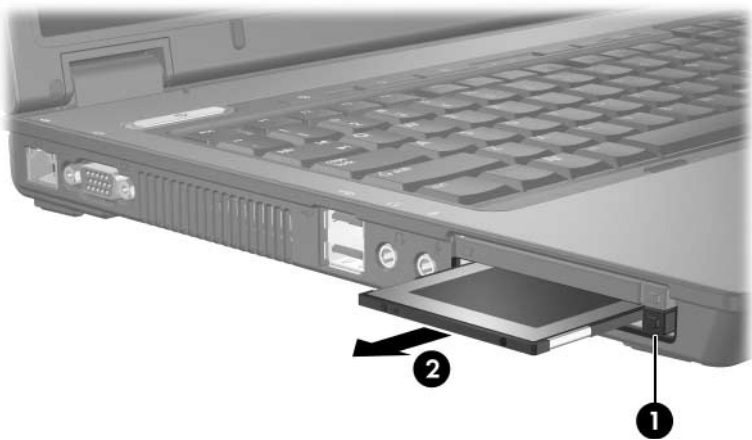


To display the Safely Remove Hardware icon, click the **Show Hidden Icons** icon (< or <<) in the notification area.

- b. Click the PC Card listing.
- c. Click **Stop**, and then click **OK**.

3. To remove the PC Card:
 - a. Press the PC Card slot eject button **1**.

This action extends the button into position for releasing the PC Card.
 - b. Press the eject button again to release the PC Card.
 - c. Pull the card **2** out of the slot.



Smart cards (select models only)



The term *smart card* is used throughout this chapter to refer to both smart cards and Java™ Cards.

A smart card is a credit card–sized accessory that carries a microchip containing memory and a microprocessor. Like personal computers, smart cards have an operating system to manage input and output, and they include security features to protect against tampering. Industry-standard smart cards are used with the smart card reader (select models only).

A personal identification number (PIN) is needed to gain access to the contents of the microchip. For more information about smart card security features, refer to Help and Support.



Your computer may look slightly different from the illustrations in this chapter.

Inserting a smart card



CAUTION: To prevent loss of support for other smart cards, install only the software required for the device. If you are instructed by the smart card manufacturer to install device drivers:

- Install only the device drivers for your operating system.
 - Do not install other software, such as card services, socket services, or enablers, supplied by the smart card manufacturer.
-



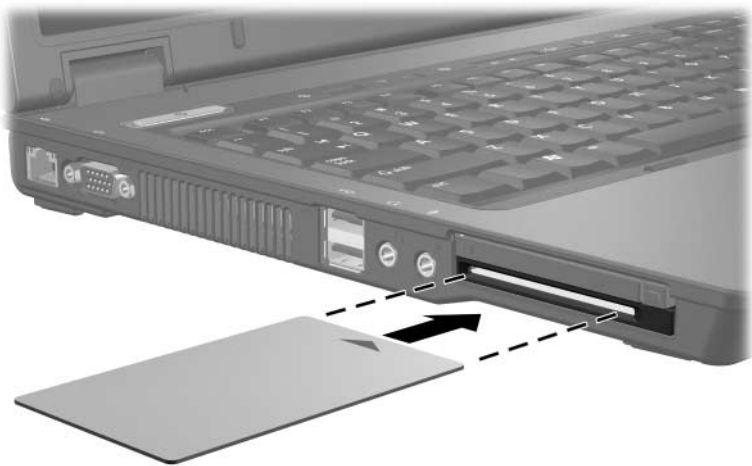
CAUTION: To prevent damage to the computer and external media cards, insert PC Cards, ExpressCards, and smart cards into *only* the slots designed for them. For example, do not insert an ExpressCard into a PC Card slot or smart card reader.

To prevent damage to the connectors:

- Use minimal force to insert a smart card.
 - Do not move or transport the computer when a smart card is in use.
-

To insert a smart card:

1. Holding the smart card label-side up, gently slide the card into the smart card reader until the card is seated.



2. Follow the on-screen instructions for logging on to the computer using the smart card PIN.



An inserted smart card uses power even when idle. To conserve power, stop or remove a smart card when it is not in use.

Removing a smart card

To remove a smart card:

- » Grasp the edge of the smart card, and pull it out of the smart card reader.



ExpressCards (select models only)

An ExpressCard (select models only) is a next-generation, high-performance PC Card, which must be inserted into the ExpressCard slot.

Like standard PC Cards, ExpressCards are designed to conform to the specifications of the Personal Computer Memory Card International Association (PCMCIA).



A TV tuner ExpressCard can add TV tuner functionality to the computer. For more information, refer to the manufacturer's user guide.



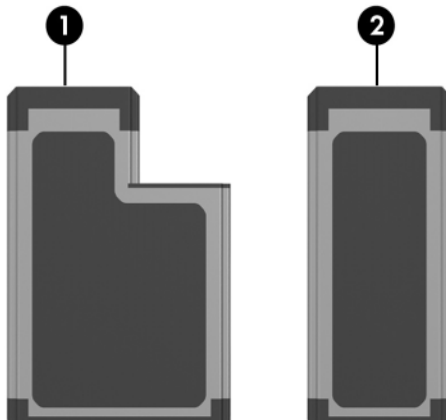
Your computer may look slightly different from the illustrations in this chapter.

Selecting an ExpressCard

ExpressCards use one of 2 interfaces and are available in 2 sizes. The ExpressCard slot on the computer supports both interfaces and both sizes. For example, you can use

- An ExpressCard with either a USB interface or a PCI Express interface.
- A full-size ExpressCard, called *ExpressCard/54* ❶, or a smaller ExpressCard, called *ExpressCard/34* ❷.

The ExpressCard procedures described in the following sections are the same for both interfaces and both sizes.



Inserting an ExpressCard



CAUTION: To prevent loss of support for other ExpressCards, install only the software required for the device. If you are instructed by the ExpressCard manufacturer to install device drivers:

- Install only the device drivers for your operating system.
 - Do not install other software, such as card services, socket services, or enablers, supplied by the ExpressCard manufacturer.
-



CAUTION: To prevent damage to the computer and external media cards, insert PC Cards, ExpressCards, and smart cards into *only* the slots designed for them. For example, do not insert an ExpressCard into a PC Card slot or smart card reader.

To prevent damage to the connectors:

- Use minimal force to insert an ExpressCard.
 - Do not move or transport the computer when an ExpressCard is in use.
-

The ExpressCard slot may contain a protective insert. The insert must be released and then removed before you can insert an ExpressCard.


1. To release and remove the ExpressCard slot insert:
 - a. Press the ExpressCard slot eject button ❶.
This action extends the button into position for releasing the insert.
 - b. Press the eject button again to release the insert.
 - c. Pull the insert out of the slot ❷.

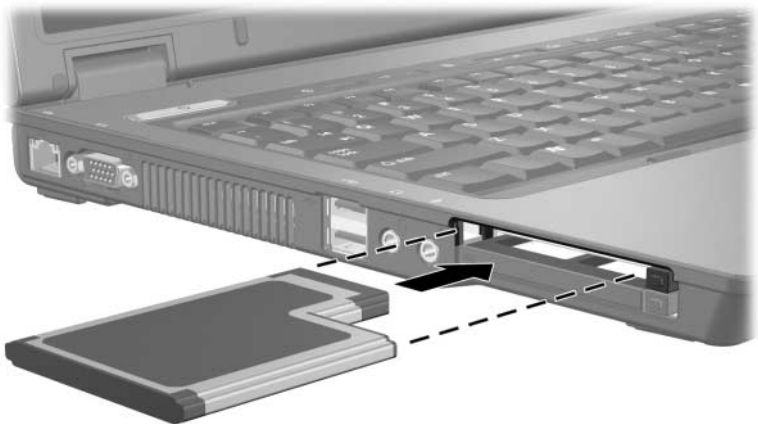


2. To insert an ExpressCard:

- a. Hold the card label-side up, with the connectors facing the computer.
- b. Gently slide the card into the ExpressCard slot until the card is seated.

When you insert an ExpressCard, you will hear a sound when the device has been detected, and a menu of available options may be displayed.

-  The first time you insert an ExpressCard, the “Installing device driver software” message is displayed in the notification area, at the far right of the taskbar.



An inserted ExpressCard uses power even when idle. To conserve power, stop or remove an ExpressCard when it is not in use.

Stopping or removing an ExpressCard



CAUTION: To prevent loss of data or an unresponsive system, stop the ExpressCard before removing it.

To stop or remove an ExpressCard:

1. Close all applications and complete all activities that are associated with the ExpressCard.



To stop a data transfer, click **Cancel** in the operating system Copying window.

2. To stop the ExpressCard:

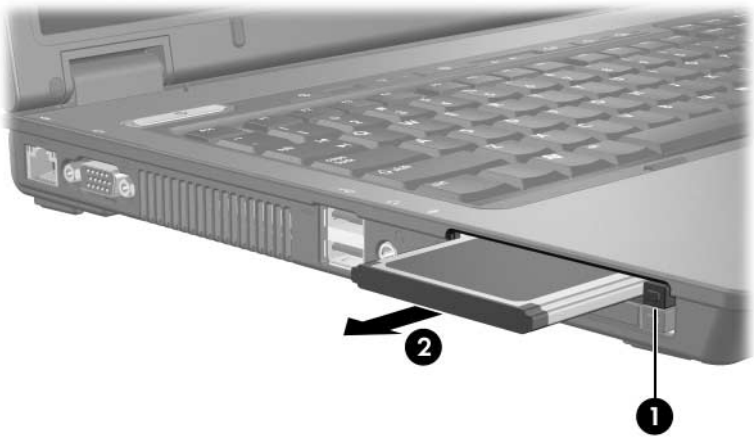
- a. Double-click the **Safely Remove Hardware** icon in the notification area, at the far right of the taskbar.



To display the Safely Remove Hardware icon, click the **Show Hidden Icons** icon (< or <<) in the notification area.

- b. Click the ExpressCard listing.
- c. Click **Stop**, and then click **OK**.

3. To remove the ExpressCard:
 - a. Press the ExpressCard slot eject button ❶.
This action extends the button into position for releasing the ExpressCard.
 - b. Press the eject button again to release the ExpressCard.
 - c. Pull the card out of the slot ❷.



© Copyright 2007 Hewlett-Packard Development Company, L.P.

SD Logo is a trademark of its proprietor. Java is a U.S. trademark of Sun Microsystems, Inc.

The information contained herein is subject to change without notice. The only warranties for HP products and services are set forth in the express warranty statements accompanying such products and services. Nothing herein should be construed as constituting an additional warranty. HP shall not be liable for technical or editorial errors or omissions contained herein.

External Media Cards

First Edition: January 2007

Document Part Number: 430244-001