

Memory Modules

Document Part Number: 430246-001

January 2007

This guide explains how to replace and upgrade memory in the computer.

Contents

Adding or replacing memory modules

Adding or replacing a memory module in the expansion memory module slot	2
Upgrading a memory module in the primary memory module slot.	7

Index

Adding or replacing memory modules

The computer has 2 memory module compartments. The primary memory module compartment is located under the keyboard. The expansion memory module compartment is located on the bottom of the computer.

The memory capacity of the computer can be upgraded by adding a memory module to the vacant expansion memory module slot or by replacing the existing memory module in the primary memory module slot.



WARNING: To reduce the risk of electric shock and damage to the equipment, unplug the power cord and remove all batteries before installing a memory module.



CAUTION: Electrostatic discharge (ESD) can damage electronic components. Before beginning any procedure, ensure that you are discharged of static electricity by touching a grounded metal object.



Your computer may look slightly different from the illustrations in this guide.

Adding or replacing a memory module in the expansion memory module slot

To add or replace a memory module in the expansion memory module slot:

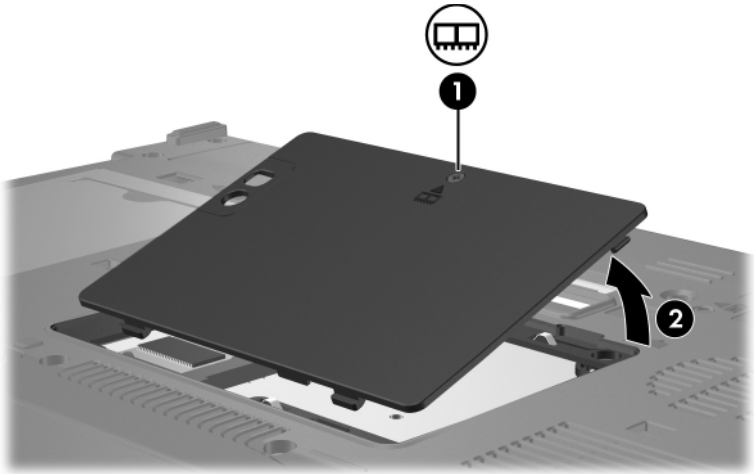
1. Save your work and close all open programs.



If the computer is in the Sleep state or in Hibernation, you must first exit Sleep or Hibernation before shutdown is possible.

2. Click **Start**, click the arrow next to the **Lock** button, and then click **Shut Down**.
3. Close the display.
4. Disconnect all external devices connected to the computer.
5. Unplug the power cord from the AC outlet.
6. Turn the computer upside down on a flat surface.
7. Remove the battery from the computer.

8. Loosen the memory module compartment cover screw ❶.
9. Lift the memory module compartment cover ❷ away from the computer.



10. To remove a memory module:

- a. Pull away the retention clips ❶ on each side of the memory module.

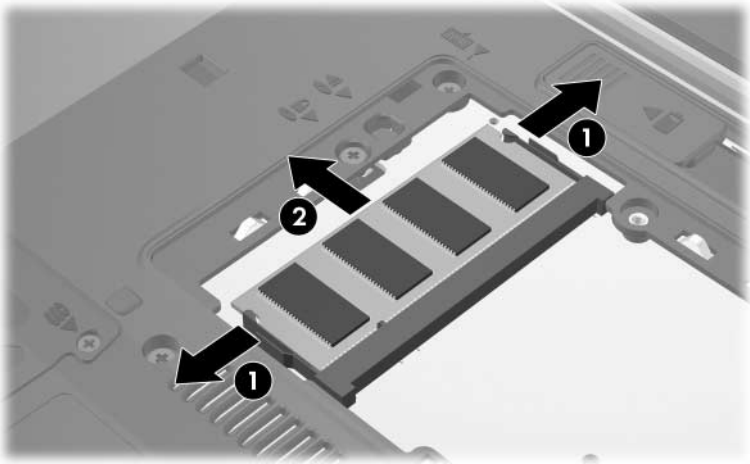
The memory module tilts up.



CAUTION: To prevent damage to the memory module, hold the memory module by the edges only. Do not touch the components on the memory module.

- b. Grasp the edge of the memory module ❷ and gently pull the module out of the memory module slot.

To protect a memory module after removal, place it in an electrostatic-safe container.

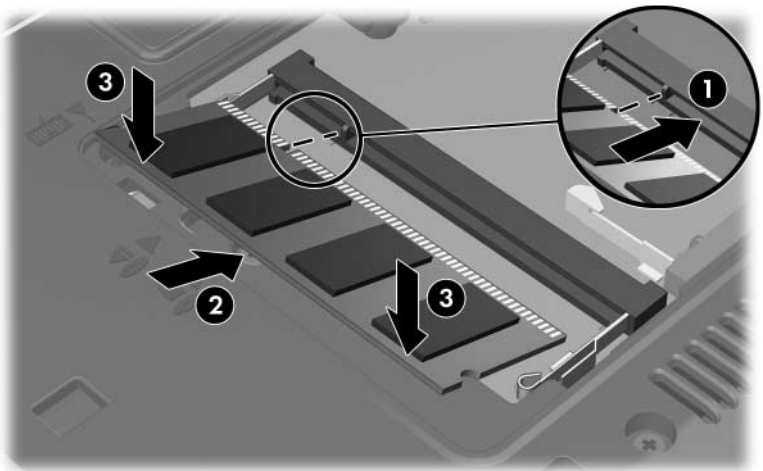


11. To insert a memory module:

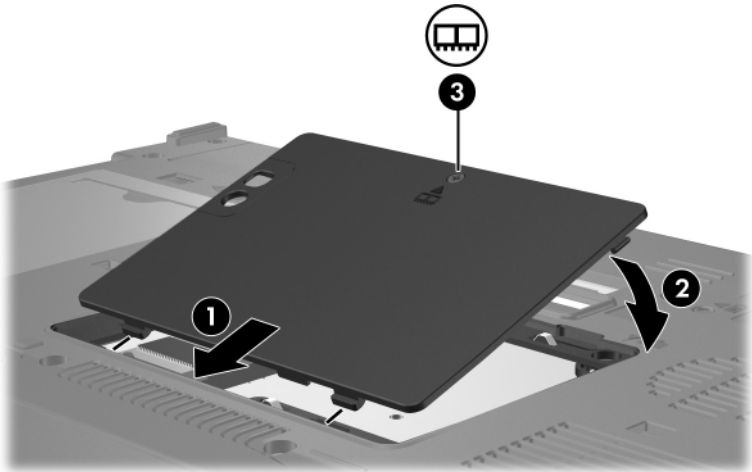


CAUTION: To prevent damage to the memory module, be sure that you do not bend the memory module.

- a. Align the notched edge **1** of the memory module with the tab in the memory module slot.
- b. With the memory module at a 45-degree angle from the surface of the memory module compartment, press the module **2** into the memory module slot until it is seated.
- c. Press the memory module **3** down, applying pressure to both the left and right edges of the memory module, until the retention clips snap into place.



12. Align the tabs **1** on the memory module compartment cover with the notches on the computer.
13. Close the cover **2**.
14. Tighten the memory module compartment cover screw **3**.



15. Replace the battery.
16. Reconnect external power and external devices.
17. Turn on the computer.
If the computer displays a message indicating that the size or configuration of the memory has changed, press **f1** to save the changes.

Upgrading a memory module in the primary memory module slot

To upgrade a memory module in the primary memory module slot:

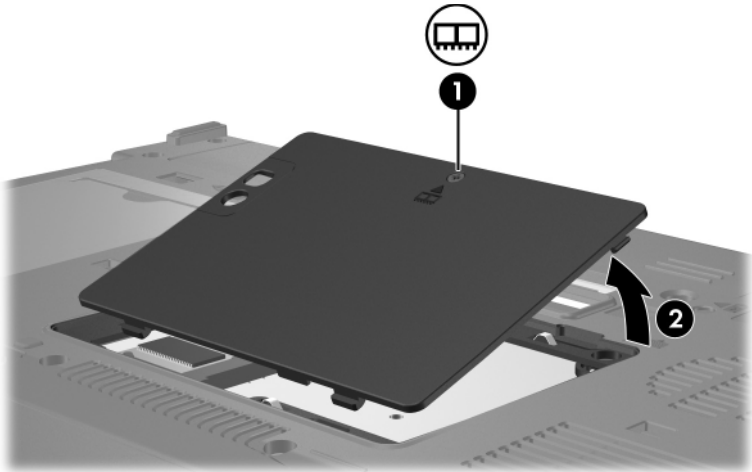
1. Save your work and close all open programs.



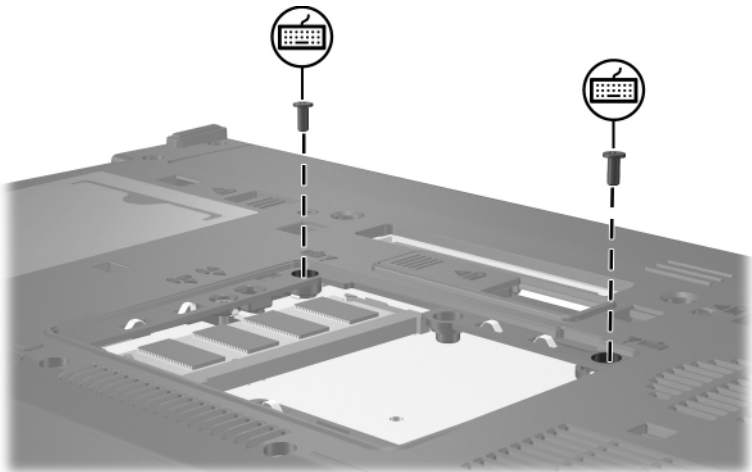
If the computer is in the Sleep state or in Hibernation, you must first exit Sleep or Hibernation before shutdown is possible.

2. Click **Start**, click the arrow next to the **Lock** button, and then click **Shut Down**.
3. Close the display.
4. Disconnect all external devices connected to the computer.
5. Unplug the power cord from the AC outlet.
6. Turn the computer upside down on a flat surface.
7. Remove the battery from the computer.

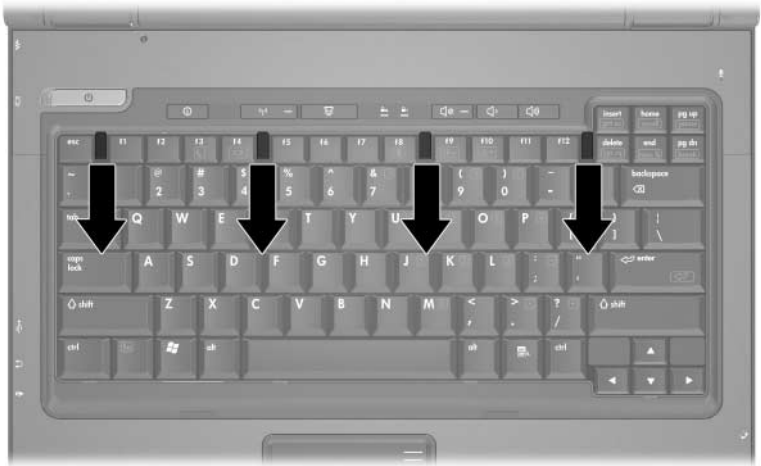
8. Loosen the memory module compartment cover screw ❶.
9. Lift the memory module compartment cover ❷ away from the computer.



10. Remove the 2 keyboard screws.



11. Turn the computer over and open it.
12. Slide the 4 keyboard latches to release the keyboard.



13. Gently lift the top edge of the keyboard and tilt the keyboard over until it rests on the palm rest of the computer.



14. Remove the memory module from the memory module slot:

- a. Pull away the retention clips ❶ on each side of the memory module.

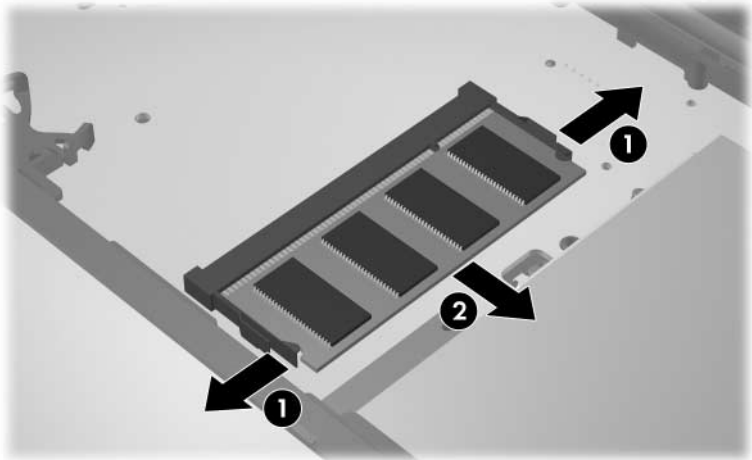
The memory module tilts up.



CAUTION: To prevent damage to the memory module, hold the memory module by the edges only. Do not touch the components on the memory module.

- b. Grasp the edge of the memory module ❷, and gently pull the module out of the memory module slot.

To protect a memory module after removal, place it in an electrostatic-safe container.

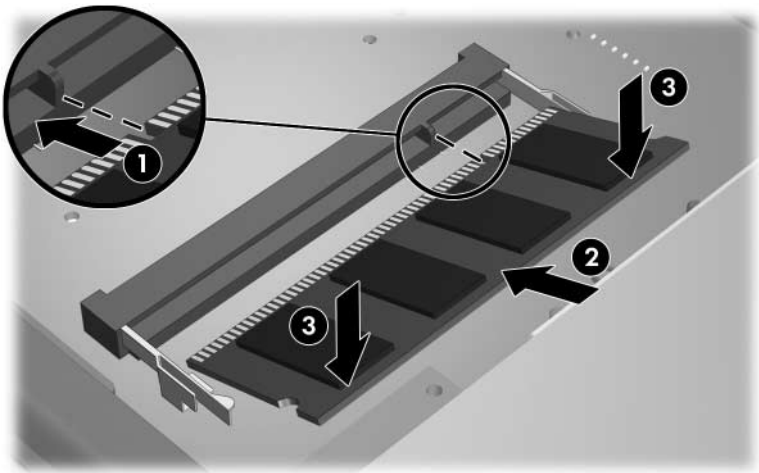


15. To insert a memory module:



CAUTION: To prevent damage to the memory module, be sure that you do not bend the memory module.

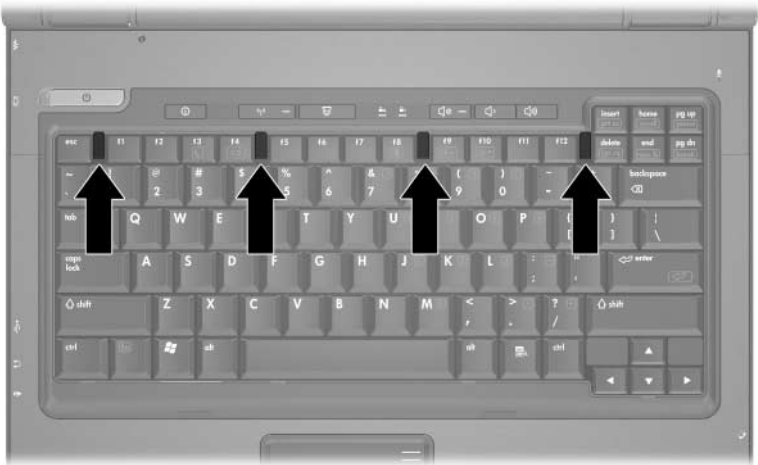
- a. Align the notched edge **1** of the memory module with the tab in the memory module slot.
- b. With the memory module at a 45-degree angle from the surface of the memory module compartment, press the module **2** into the memory module slot until it is seated.
- c. Press the memory module **3** down, applying pressure to both the left and right edges of the memory module, until the retention clips snap into place.



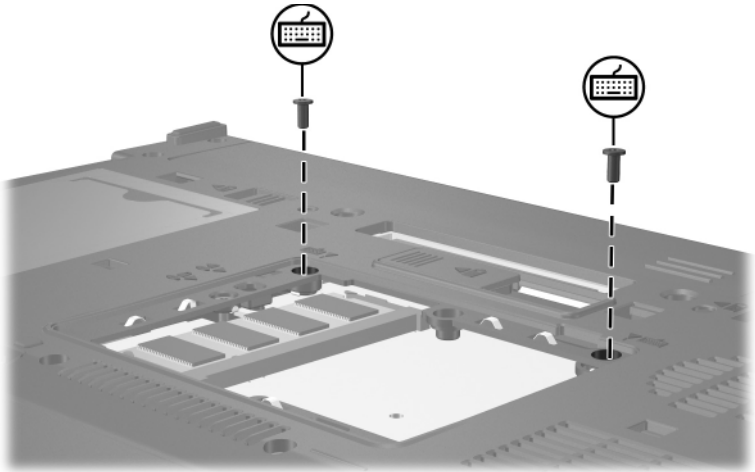
16. Return the keyboard to its previous position.



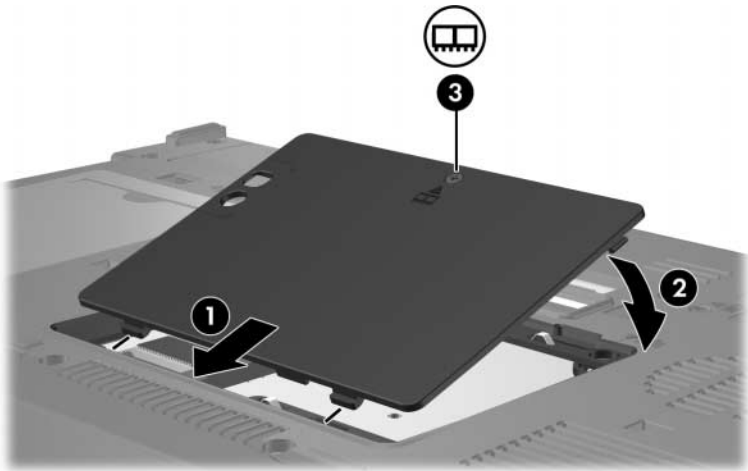
17. Slide the 4 keyboard latches to lock the keyboard.



18. Turn the computer upside down on a flat surface.
19. Replace the keyboard screws.



20. Align the tabs **1** on the memory module cover with the notches on the computer.
21. Close the cover **2**.
22. Tighten the memory module compartment cover screw **3**.



23. Replace the battery.
24. Reconnect external power and external devices.
25. Turn on the computer.

If the computer displays a message indicating that the size or configuration of the memory has changed, press **f1** to save the changes.

Index

C

compartment, memory module
1

E

electrostatic discharge (ESD)
1
ESD (electrostatic discharge)
1

L

latches, keyboard 9

M

memory module compartment
1
memory module compartment,
expansion 2
memory module, removing or
inserting 2

© Copyright 2007 Hewlett-Packard Development Company, L.P.

The information contained herein is subject to change without notice. The only warranties for HP products and services are set forth in the express warranty statements accompanying such products and services. Nothing herein should be construed as constituting an additional warranty. HP shall not be liable for technical or editorial errors or omissions contained herein.

Memory Modules

First Edition: January 2007

Document Part Number: 430246-001