

# Notebook Tour

---

## User Guide

© Copyright 2007 Hewlett-Packard  
Development Company, L.P.

Microsoft and Windows are U.S. registered  
trademarks of Microsoft Corporation.  
Bluetooth is a trademark owned by its  
proprietor and used by Hewlett-Packard  
Company under license. SD Logo is a  
trademark of its proprietor. Java is a U.S.  
trademark of Sun Microsystems, Inc.

The information contained herein is subject  
to change without notice. The only  
warranties for HP products and services are  
set forth in the express warranty statements  
accompanying such products and services.  
Nothing herein should be construed as  
constituting an additional warranty. HP shall  
not be liable for technical or editorial errors  
or omissions contained herein.

First Edition: January 2007

Document Part Number: 430285-001

# Table of contents

## 1 Components

Top components .....	2
Pointing Devices .....	2
TouchPad .....	3
Lights .....	4
Buttons, switches, and readers .....	6
Keys .....	7
Hotkey quick reference .....	7
Front components .....	9
Rear components .....	10
Right-side components .....	11
Left-side components .....	12
Bottom components .....	13
Display components .....	15
WLAN antennae .....	16
WWAN antenna .....	17
Additional hardware components .....	18
Labels .....	19

## 2 Specifications

Operating environment .....	20
Rated input power .....	20

Index .....	22
-------------	----



# 1 Components

This chapter explains the hardware features of the computer.

To see a list of hardware installed in the computer:

1. Select **Start > Computer > System properties**.
2. In the left pane, click **Device Manager**.

You can also add hardware or modify device configurations using Device Manager.



---

**NOTE** Components included with the computer may vary by region and by model. The illustrations in this chapter identify the standard features included in most computer models.

---

# Top components

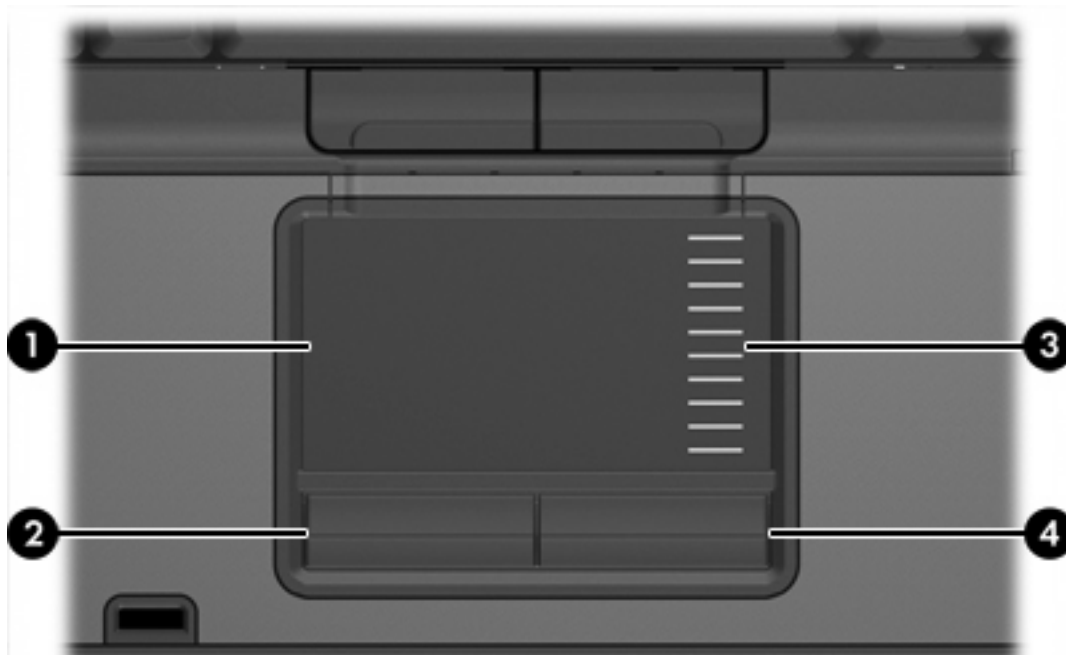
## Pointing Devices



Component	Description
(1) Left pointing stick button	Functions like the left button on an external mouse.
(2) Pointing stick	Moves the pointer and selects or activates items on the screen.
(3) Right pointing stick button	Functions like the right button on an external mouse.

\*This table describes factory settings. To view and change pointing device preferences, select **Start > Control Panel > Hardware and Sound > Mouse**.

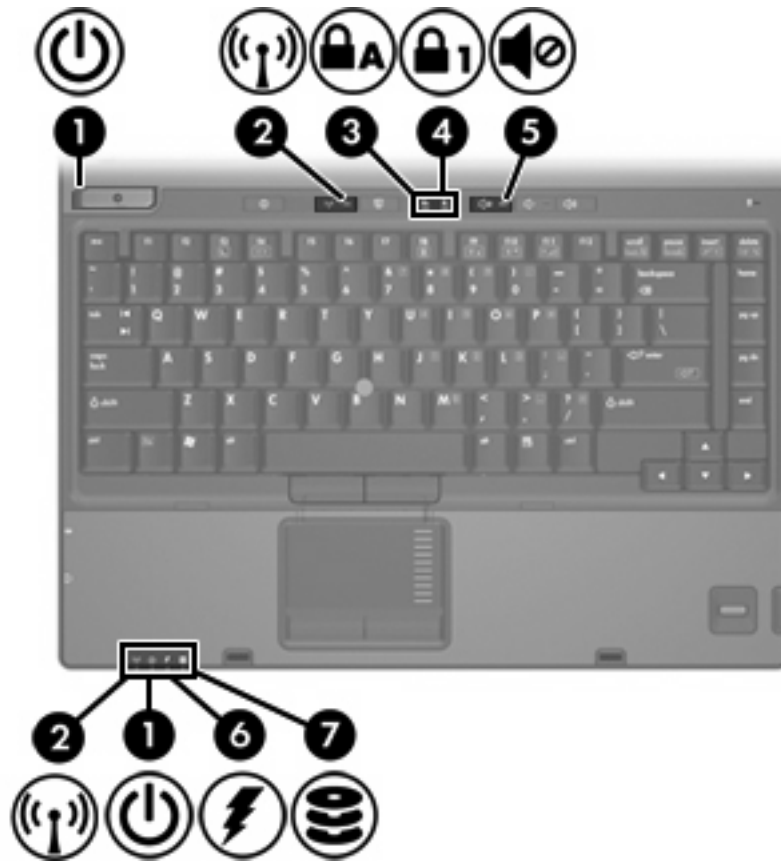
## TouchPad



Component	Description
(1) TouchPad*	Moves the pointer and selects or activates items on the screen. Can be set to perform other mouse functions, such as scrolling, selecting, and double-clicking.
(2) Left TouchPad button*	Functions like the left button on an external mouse.
(3) TouchPad scroll zone	Scrolls up or down.
(4) Right TouchPad button*	Functions like the right button on an external mouse.

\*This table describes factory settings.

## Lights



Component	Description
(1) Power lights* (2)	<p>On: The computer is on.</p> <p>Blinking: The computer is in the Sleep state.</p> <p>Blinking rapidly: An AC adapter with a higher power rating should be connected.</p> <p>Off: The computer is off or in Hibernation.</p>
(2) Wireless lights† (2)	<p>On: An integrated wireless device, such as a wireless local area network (LAN) device and/or a Bluetooth® device, is turned on.</p>
(3) Caps lock light	<p>On: Caps lock is on.</p>
(4) Num lock light	<p>On: Num lock is on or the embedded numeric keypad is enabled.</p>
(5) Volume mute light	<p>On: Computer sound is turned off.</p>
(6) Battery light	<p>Amber: A battery is charging.</p> <p>Green: A battery is close to full charge capacity.</p> <p>Blinking amber: A battery that is the only available power source has reached a low battery level. When the battery reaches a critical battery level, the battery light begins blinking rapidly.</p> <p>Off: If the computer is plugged into an external power source, the light is turned off when all batteries in the computer are fully</p>

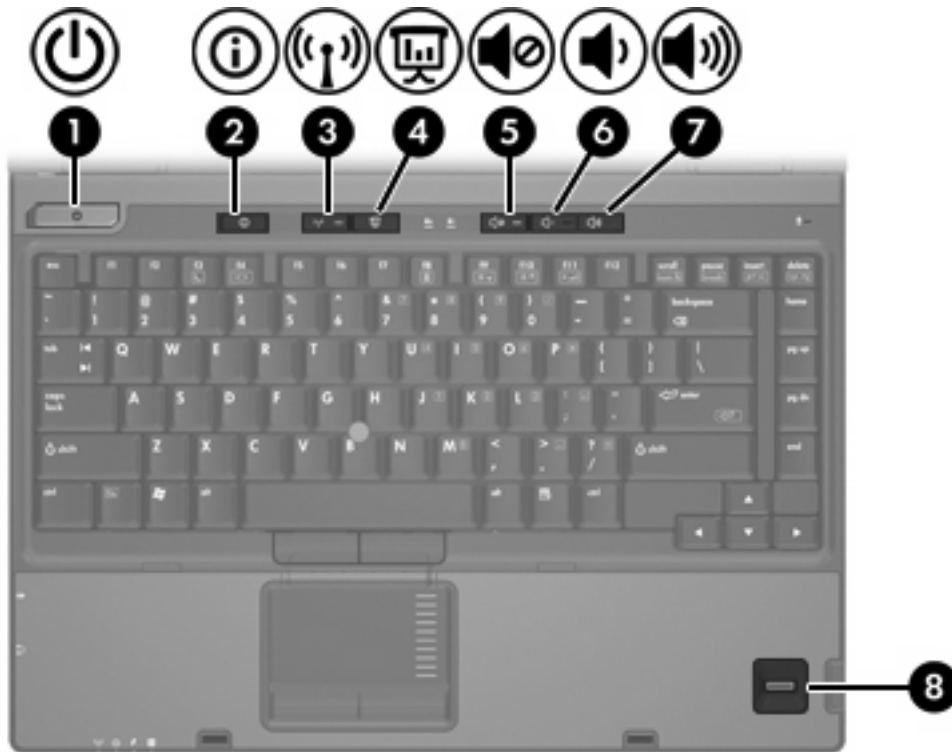



Component	Description
(7) Drive light	<p>charged. If the computer is not plugged into an external power source, the light stays off until the battery reaches a low battery level.</p> <ul style="list-style-type: none"> <li>• Blinking: The hard drive or optical drive is being accessed.</li> <li>• Amber: HP Mobile Data Protection 3D has temporarily parked the internal hard drive.</li> </ul>

\*There are 2 power lights. Both display the same information. The light on the power button is visible only when the computer is open; the other power light is always visible on the front of the computer.

†There are 2 wireless lights. Both display the same information. The light on the wireless button is visible only when the computer is open; the other wireless light is always visible on the front of the computer.

## Buttons, switches, and readers

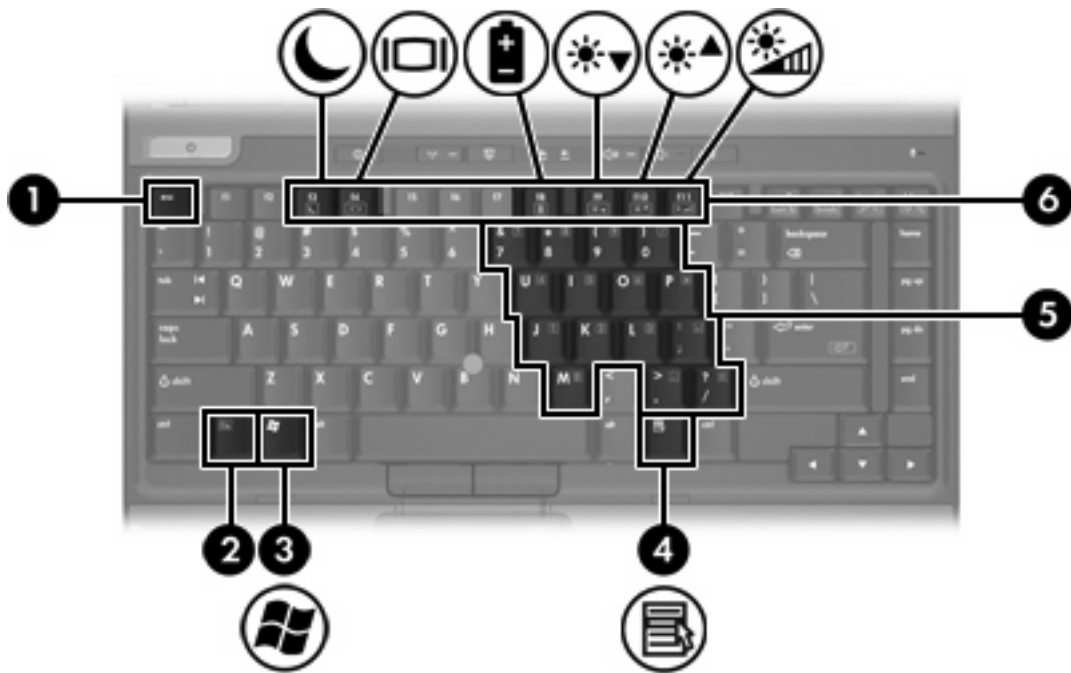


Component	Description
(1) Power button*	<p>When the computer is off, press the power button to turn on the computer.</p> <p>If the computer has stopped responding and Windows® shutdown procedures cannot be used, press and hold the power button for at least 5 seconds to turn off the computer.</p> <p>To learn more about your power settings, select <b>Start &gt; Control Panel &gt; System Maintenance &gt; Power Options</b>.</p>
(2) Info Center button	<p>Launches Info Center, which enables you to open various software solutions.</p>
(3) Wireless button*	<p>Turns the wireless feature on or off, but does not create a wireless connection.</p> <p> <b>NOTE</b> To establish a wireless connection, a wireless network must already be set up.</p>
(4) Presentation button	<p>Starts the Presentation feature.</p>
(5) Volume mute button	<p>Mutes and restores computer sound.</p>
(6) Volume down button	<p>Decreases speaker volume.</p>
(7) Volume up button	<p>Increases speaker volume.</p>

Component	Description
(8) Fingerprint reader	Allows a fingerprint logon to the Windows operating system, instead of a password logon.

\*This table describes factory settings. For information about changing factory settings, refer to the user guides located in Help and Support.

## Keys



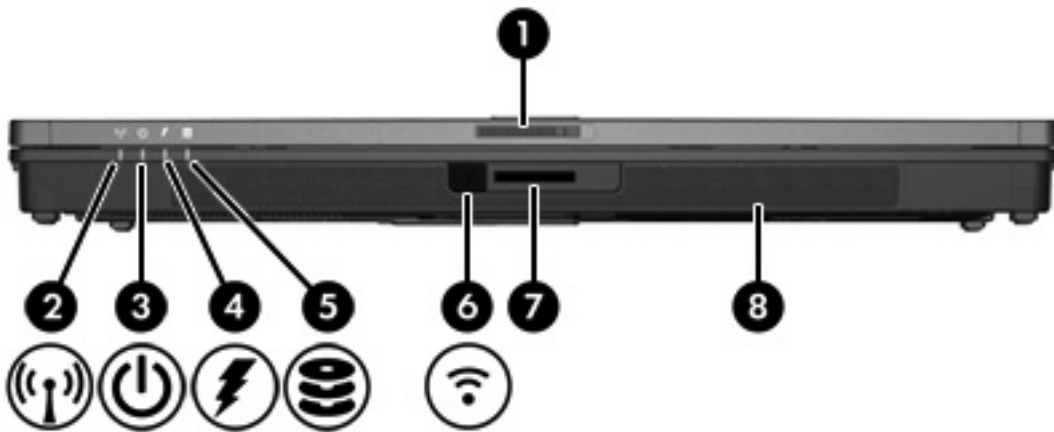
Component	Description
(1) <code>esc</code> key	Displays system information when pressed in combination with the <code>fn</code> key.
(2) <code>fn</code> key	Executes frequently used system functions when pressed in combination with a function key or the <code>esc</code> key.
(3) Windows logo key	Displays the Windows Start menu.
(4) Windows applications key	Displays a shortcut menu for items beneath the pointer.
(5) Embedded numeric keypad keys	Can be used like the keys on an external numeric keypad.
(6) Function keys	Execute frequently used system functions when pressed in combination with the <code>fn</code> key.

## Hotkey quick reference

Function	Key Combination
Display system information	<code>fn+esc</code>

Function	Key Combination
Clear system information	fn+esc or click <b>OK</b>
Initiate Sleep	fn+f3
Alternate image between the computer display and external display	fn+f4
Display battery information	fn+f8
Clear battery information	fn+f8
Decrease screen brightness	fn+f9
Increase screen brightness	fn+f10
Turn on and off the ambient light sensor	fn+f11


# Front components



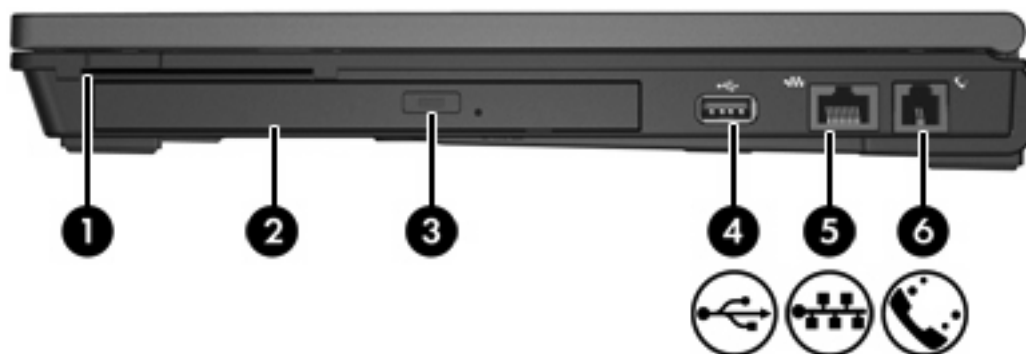
Component	Description
(1) Display release latch	Opens the computer.
(2) Wireless light	On: An integrated wireless device, such as a wireless local area network (LAN) device and/or a Bluetooth® device is turned on.
(3) Power light	On: The computer is on. Blinking: The computer is in the Sleep state. Blinking rapidly: An AC adapter with a higher power rating should be connected. Off: The computer is off or in Hibernation.
(4) Battery light	Amber: A battery is charging. Green: A battery is close to full charge capacity. Blinking amber: A battery that is the only available power source has reached a low battery level. When the battery reaches a critical battery level, the battery light begins blinking rapidly. Off: If the computer is plugged into an external power source, the light is turned off when all batteries in the computer are fully charged. If the computer is not plugged into an external power source, the light stays off until the battery reaches a low battery level.
(5) Drive light	<ul style="list-style-type: none"> <li>Blinking: The hard drive or optical drive is being accessed.</li> <li>Amber: HP Mobile Data Protection 3D has temporarily parked the hard drive.</li> </ul>
(6) Infrared port	Provides wireless communication between the computer and an optional IrDA-compliant device.
(7) Digital Media Slot	Supports SD (Secure Digital) Memory Cards.
(8) Speakers	Produce computer sound.

## Rear components



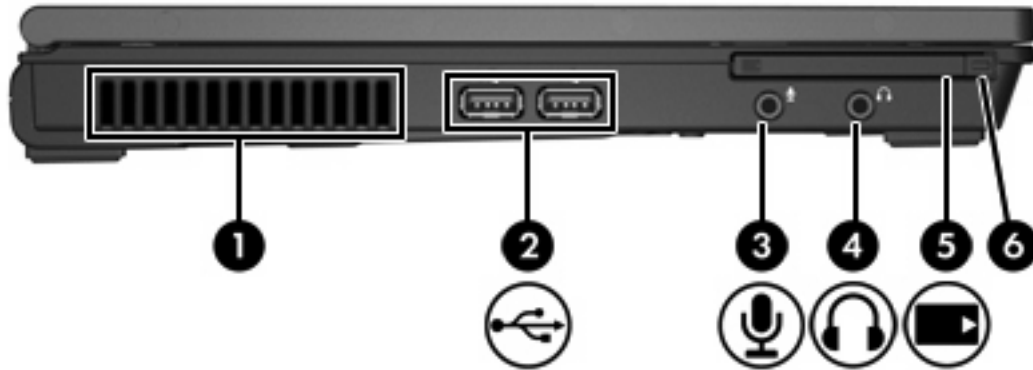
Component	Description
(1) Security cable slot	Attaches an optional security cable to the computer.
	 <b>NOTE</b> The security cable is designed to act as a deterrent, but may not prevent the computer from being mishandled or stolen.
(2) Power connector	Connects an AC adapter.
(3) S-Video-out jack	Connects an optional S-Video device such as a television, VCR, camcorder, overhead projector, or video capture card.
(4) External monitor port	Connects an external VGA monitor or projector.

## Right-side components



Component	Description
(1) Smart card reader	Supports smart cards and Java™ Cards.
(2) MultiBay optical drive	Reads an optical disc.
(3) MultiBay optical drive light	Blinking: The optical drive is being accessed.
(4) USB port	Connects an optional USB device.
(5) RJ-45 (network) jack	Connects a network cable.
(6) RJ-11 (modem) jack	Connects a modem cable.

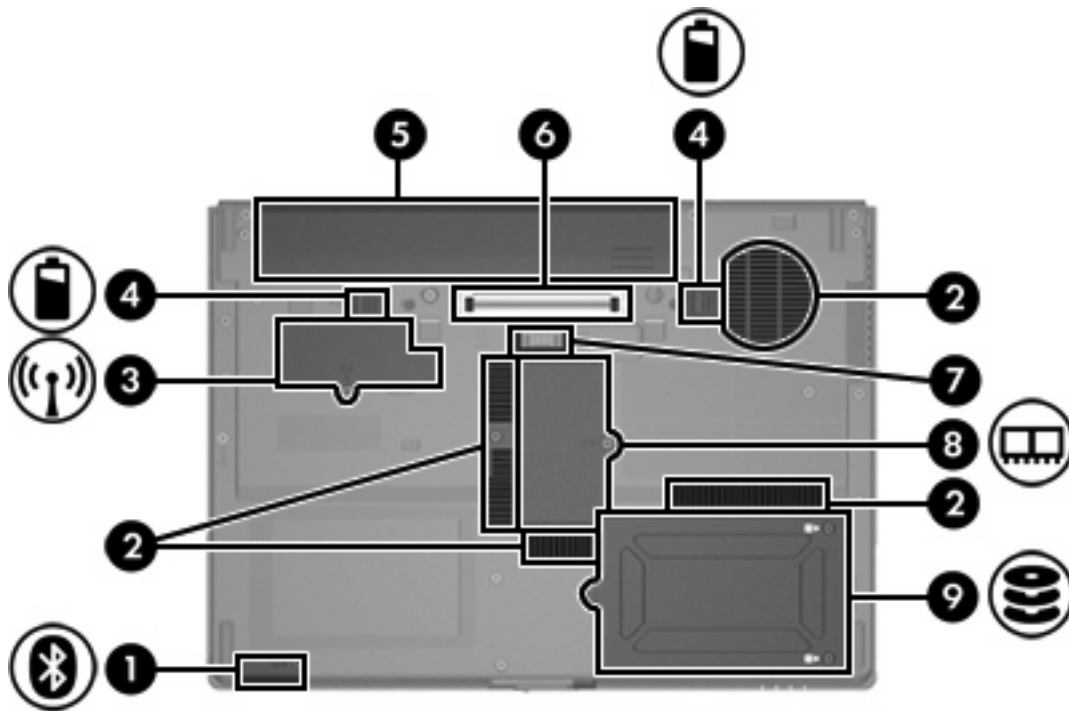
## Left-side components



Component	Description
(1) Vent	<p>Enables airflow to cool internal components.</p> <p><b>CAUTION</b> To prevent overheating, do not obstruct vents. Use the computer only on a hard, flat surface. Do not allow another hard surface, such as an adjoining optional printer, or a soft surface, such as pillows or thick rugs or clothing, to block airflow.</p> <p><b>NOTE</b> The computer fan starts up automatically to cool internal components and prevent overheating. It is normal for the internal fan to cycle on and off during routine operation.</p>
(2) USB ports (2)	Connects an optional USB device.
(3) Audio-in (microphone) jack	Connects an optional computer headset microphone, stereo array microphone, or monoaural microphone.
(4) Audio-out (headphone) jack	Produces computer sound when connected to optional powered stereo speakers, headphones, ear buds, a headset, or television audio.
(5) PC Card slot	Supports optional Type I or Type II 32-bit (CardBus) or 16-bit PC Cards.
(6) PC Card slot eject button	Ejects the PC Card from the PC Card slot.



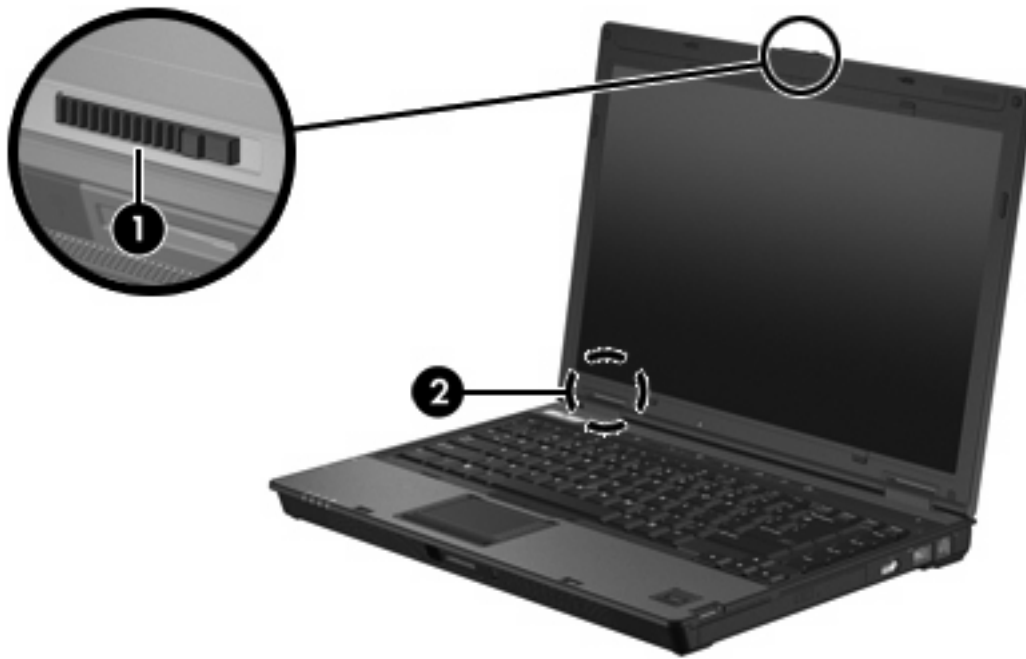
# Bottom components



Component	Description
(1) Bluetooth compartment	Contains a Bluetooth device (select models only).
(2) Vents (4)	Enable airflow to cool internal components.  <div style="border: 1px solid black; padding: 5px;"> <p><b>CAUTION</b> To prevent overheating, do not obstruct vents. Use the computer only on a hard, flat surface. Do not allow another hard surface, such as an adjoining optional printer, or a soft surface, such as pillows or thick rugs or clothing, to block airflow.</p> </div> <div style="border: 1px solid black; padding: 5px; margin-top: 5px;"> <p><b>NOTE</b> The computer fan starts up automatically to cool internal components and prevent overheating. It is normal for the internal fan to cycle on and off during routine operation.</p> </div>
(3) Mini Card compartment	Contains a wireless LAN device (select models only).  <div style="border: 1px solid black; padding: 5px;"> <p><b>CAUTION</b> To prevent an unresponsive system and the display of a warning message, replace the devices with only a Mini Card authorized for use in the computer by the governmental agency that regulates wireless devices in your country. If you replace the device and then receive a warning message, remove the device to restore computer functionality, and then contact Customer Care through Help and Support.</p> </div>
(4) Battery release latches	Release the battery from the battery bay.
(5) Battery bay	Holds the battery.

Component	Description
(6) Docking connector	Connects an optional docking device.
(7) Accessory battery connector	Connects an optional accessory battery.
(8) Memory module compartment	Contains the memory module slot.
(9) Hard drive bay	Holds the hard drive.

## Display components



Component	Description
(1) Display release latch	Opens the computer.
(2) Internal display switch	Turns off the display if the display is closed while the computer is turned on.

**NOTE** This switch is not visible from the outside of the computer.

## WLAN antennae

Two wireless antennae send and receive wireless device signals over wireless local area networks (WLANs). These antennae are not visible from the outside of the computer.

To see wireless regulatory notices, refer to your country's section of the *Regulatory, Safety, and Environmental Notices* located in Help and Support.



---

**NOTE** For optimal transmission, keep the areas immediately around the antennae free from obstructions.

**NOTE** The computer display must be open before you can connect to a wireless network.

---



## WWAN antenna


The wireless antenna inside the display enclosure allows you to connect to a wireless wide-area network (WWAN), and then to the Internet, using the integrated HP Broadband Wireless module and service from a supported cellular network operator.

For more information on HP Broadband Wireless and how to sign up for service, refer to the *HP Broadband Wireless Getting Started* guide included with your computer.



## Additional hardware components



Component	Description
(1) Power cord*	Connects an AC adapter to an AC outlet.
(2) HP Smart AC Adapter	Converts AC power to DC power.
	<p> <b>NOTE</b> The computer operates on DC power, which can be supplied by an AC or a DC power source. Although the computer can be powered from a stand alone DC power source, it should be powered only with an AC adapter or a DC power source supplied and approved by HP for use with the computer.</p>
(3) Modem cable*	Connects the internal modem to an RJ-11 telephone jack or to a country-specific modem adapter.
(4) Battery*	Powers the computer when the computer is not plugged into external power.
(5) Country-specific modem cable adapter (select models only)	Adapts the modem cable to a non-RJ-11 telephone jack.

\*Modem cables, batteries, and power cords vary in appearance by region and country.

# Labels

The labels affixed to the computer provide information you may need when you troubleshoot system problems or travel internationally with the computer.

- Service tag—Provides the product brand and series name, serial number (s/n), and product number (p/n) of your computer. Have this information available when you contact Customer Care. The service tag label is affixed to the bottom of the computer.
- Microsoft Certificate of Authenticity—Contains the Microsoft® Windows® Product Key. You may need the Product Key to update or troubleshoot the operating system. This certificate is affixed to the bottom of the computer.
- Regulatory label—Provides regulatory information about the computer. The regulatory label is affixed to the bottom of the computer.
- Modem approval label—Provides regulatory information about the modem and lists the agency approval markings required by some of the countries in which the modem has been approved for use. You may need this information when traveling internationally. The modem approval label is affixed to the bottom of the computer.
- Wireless certification label(s)—Provide information about optional wireless devices available on select models, and the approval markings of some of the countries in which the devices have been approved for use. An optional device may be a wireless local area network (WLAN) device or an optional Bluetooth® device. If your computer model includes one or more wireless devices, one or more certification labels are included with your computer. You may need this information when traveling internationally. Wireless certification labels are affixed to the bottom of the computer.

# 2 Specifications

## Operating environment

The operating environment information in the following table may be helpful if you plan to use or transport the computer in extreme environments.

Factor	Metric	U.S.
<b>Temperature</b>		
Operating (not writing to optical disc)	0°C to 35°C	32°F to 95°F
Operating (writing to optical disc)	5°C to 35°C	41°F to 95°F
Nonoperating	-20°C to 60°C	-4°F to 140°F
<b>Relative humidity (noncondensing)</b>		
Operating	10% to 90%	10% to 90%
Nonoperating	5% to 95%	5% to 95%
<b>Maximum altitude (unpressurized)</b>		
Operating (14.7 to 10.1 psia*)	-15 m to 3,048 m	-50 ft to 10,000 ft
Nonoperating (14.7 to 4.4 psia*)	-15 m to 12,192 m	-50 ft to 40,000 ft

\*Pounds per square inch absolute (psia) is another unit of measurement for altitude.

## Rated input power

The power information in this section may be helpful if you plan to travel internationally with your computer.

The computer operates on DC power, which can be supplied by an AC or a DC power source. Although the computer can be powered from a stand alone DC power source, it should be powered only with an AC adapter or a DC power source supplied and approved by HP for use with the computer.

The computer is capable of accepting DC power within the following specifications.

Input power	Rating
Operating voltage	18.5 V dc @ 3.5 A – 65 W; 19.0 V dc @ 4.74 A – 90W
Operating current	3.5 A; or 4.9 A



This product is designed for IT power systems in Norway with phase-to-phase voltage not exceeding 240 V rms.

# Index

- A**
    - AC adapter
      - identifying 18
    - altitude specifications 20
    - antennae 16
    - applications key, Windows 7
    - audio-in (microphone) jack 12
    - audio-out (headphone) jack 12
  - B**
    - battery
      - identifying 18
    - battery bay 13, 19
    - battery charge information 8
    - battery light, identifying 4, 9
    - battery release latch 13
    - bays
      - battery 13, 19
      - Bluetooth device 13
      - hard drive 14
    - Bluetooth compartment 13
    - Bluetooth label 19
    - buttons
      - mute 6
      - power 6
      - wireless 6
  - C**
    - cable
      - RJ-11 (modem) 18
    - caps lock light 4
    - Certificate of Authenticity label 19
    - compartments
      - Bluetooth 13
      - memory module 14
      - Mini Card 13
    - components
      - bottom 13
      - display 15
      - front 9
        - left-side 12
        - rear 10
        - right-side 11
        - top 2
      - connector, power 10
      - cord, power, identifying 18
  - D**
    - display
      - image, switching 8
      - screen brightness hotkeys 8
    - display release latch 9, 15
    - display switch 15
    - docking connector 14
    - drive light 5, 9
    - drives
      - hard 14
      - optical 11
  - E**
    - environmental specifications 20
    - external monitor port 10
  - F**
    - fingerprint reader 7
    - fn key
      - identifying 7
    - function keys
      - identifying 7
  - H**
    - hard drive bay, identifying 14
    - headphone (audio-out) jack 12
    - hotkeys
      - battery charge information 8
      - decreasing screen
        - brightness 8
      - displaying system
        - information 7
        - increasing screen
          - brightness 8
        - initiating Sleep 8
        - setting ambient light sensor 8
        - switching screen image 8
  - humidity specifications 20
- I**
  - Info Center button 6
  - internal display switch 15
- J**
  - jacks
    - audio-in (microphone) 12
    - audio-out (headphone) 12
    - RJ-11 (modem) 11
    - RJ-45 (network) 11
- K**
  - keypad keys 7
  - keys
    - esc 7
    - fn 7
    - function 7
    - keypad 7
    - Windows applications 7
    - Windows logo 7
- L**
  - labels
    - Bluetooth 19
    - Microsoft Certificate of Authenticity 19
    - modem approval 19
    - regulatory 19
    - service tag 19
    - wireless certification 19
    - WLAN 19

latches  
battery release 13  
display release 9, 15

lights  
battery 4, 9  
caps lock 4  
drive 5, 9  
mute 4  
num lock 4  
optical drive 11  
power 4, 9  
volume 4  
wireless 4, 9

lock, security cable 10

## M

memory module compartment 14  
microphone (audio-in) jack 12

Microsoft Certificate of Authenticity  
label 19

Mini Card compartment 13

modem approval label 19

modem cable adapter 18

monitor port, external 10

mute button 6

mute light 4

## N

network (RJ-45) jack 11

num lock light 4

## O

operating environment

specifications 20

operating system

Microsoft Certificate of  
Authenticity label 19

Product Key 19

optical drive light 11

optical drive, identifying 11

## P

PC Card slot 12

ports

external monitor 10

USB 11, 12

power button 6

power connector 10

power cord 18

power light 4, 9

Presentation button 6

Product Key 19

product name and number,  
computer 19

## R

rated input power

specifications 20

reader, fingerprint 7

regulatory information

modem approval label 19

regulatory label 19

wireless certification labels 19

release latch

battery 13

display 9

RJ-11 (modem) cable 18

RJ-11 (modem) jack 11

RJ-45 (network) jack 11

## S

screen brightness hotkeys 8

screen image, switching 8

security cable slot 10

serial number, computer 19

service tag 19

Sleep hotkey 8

slots

memory module 14

PC Card 12

security cable 10

smart card reader 11

speakers 9

specifications

operating environment 20

rated input power 20

system information

hotkey 7

## T

temperature specifications 20

traveling with the computer

environmental

specifications 20

modem approval label 19

wireless certification labels 19

## U

USB ports, identifying 11, 12

## V

vents 12, 13

## W

Windows applications key 7

Windows logo key 7

wireless antennae 16

wireless button 6

wireless certification label 19

wireless light 4, 9

WLAN device 19

WLAN label 19

WWAN device 17

